

part 2 of 2 = pages 106 ~ 195

MODEL

**TM14-80RH/RP**

**TM20-80RH/RP**

**TM20-90RH/RP**

COLOR MONITOR

**INSTRUCTION MANUAL**

**Ikegami**

## 8.5 RGB OUT BOARD

### (1) Outline

The R, G, and B signals supplied from the VIDEO PROC BOARD pass through the beam feedback clamp circuit, are amplified by the output amplifier circuit, and are applied to the cathode of the CRT.

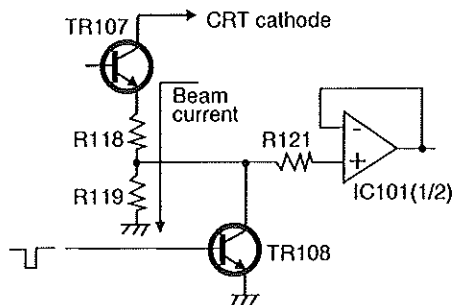
### (2) Circuit description

#### (a) Beam feedback circuit

Since each channel (R, G and B) has the same circuit, the circuit description given in this paragraph is of the R channel alone.

When the clamp pulse is "L", TR108 is turned off.

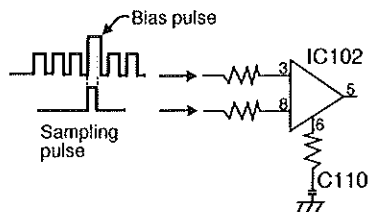
At this time, the bias pulse input to G1 of CRT flows from the cathode of CRT to R118 and R119 as a beam current.



This current is detected as a voltage at R119.

The voltage detected at R119 is input to the sample & hold IC (IC102) after passing through the voltage follower of IC101 (1/2).

Only the voltage of the bias pulse section is sampled at IC102, held at C110 and output to pin 5 of IC102.



The DC voltage output from pin 5 of IC102 is controlled for the background DC voltage as a reference voltage at IC101 and output to pin 7 of IC101.

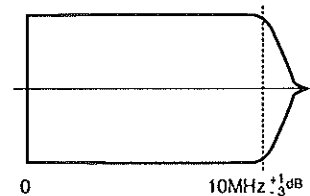
The DC voltage is feedback as a clamp voltage.

### (3) Adjustment procedure

Input the sweep signal to the composite video input terminal.

#### (a) VC101:R.FRQ VC201:G.FRQ VC301:B.FRQ VR101:R.FRQ VR201:G.FRQ VR301:B,FRQ

1. Connect a 100:1 probe to TP101.
2. Adjust VC101 and VR101 so that the 10MHz level is within +1dB to -3dB of the 100kHz level.
3. Adjust VC201 and VR201 at TP201 in the same manner.
4. Adjust VC301 and VR301 at TP301 in the same manner.



1

2

3

4

A

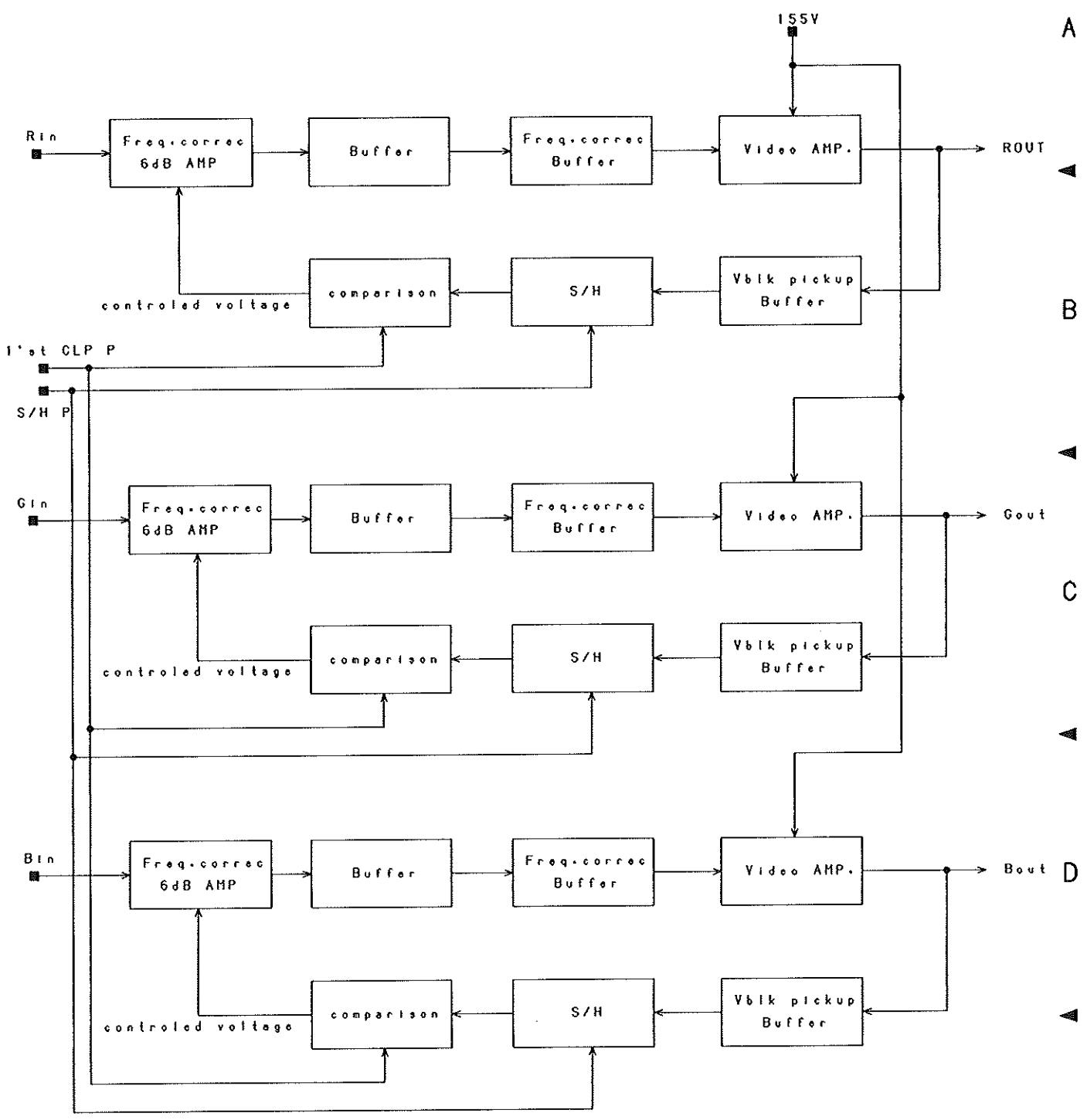
B

C

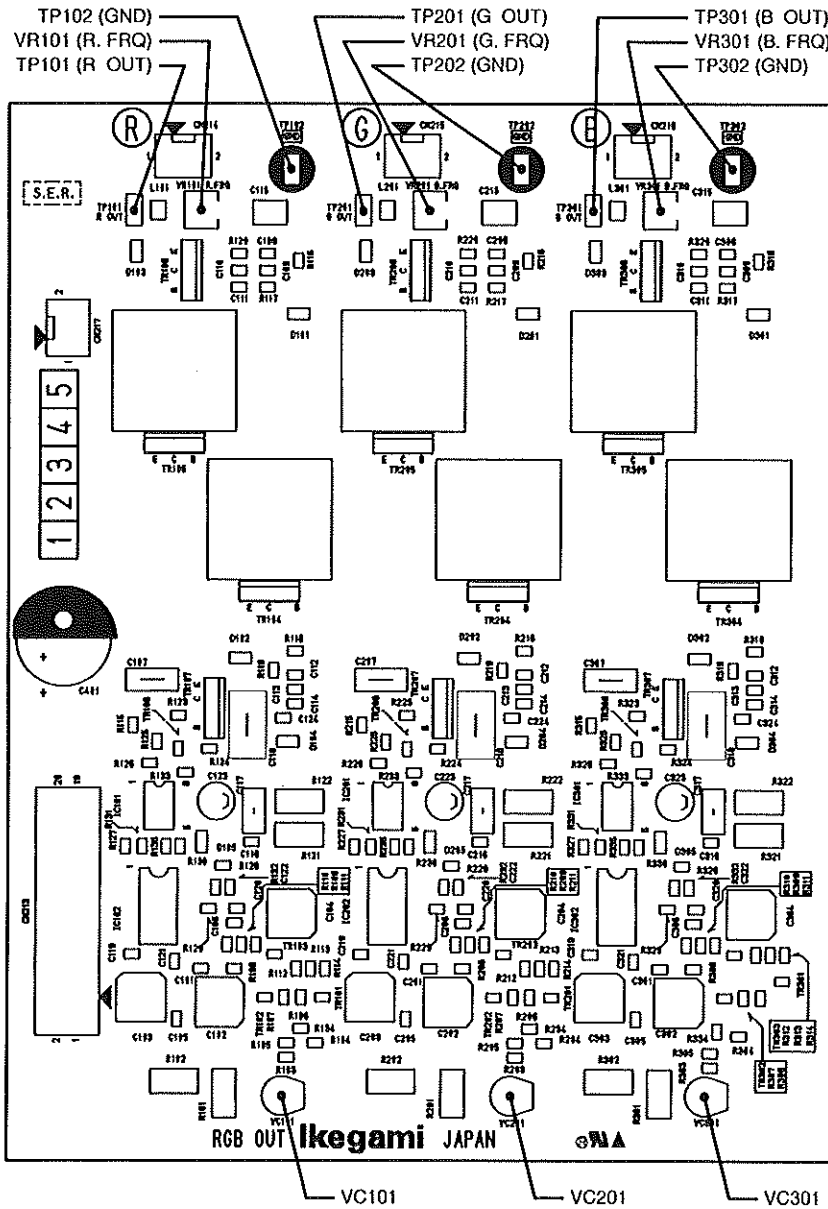
D

E

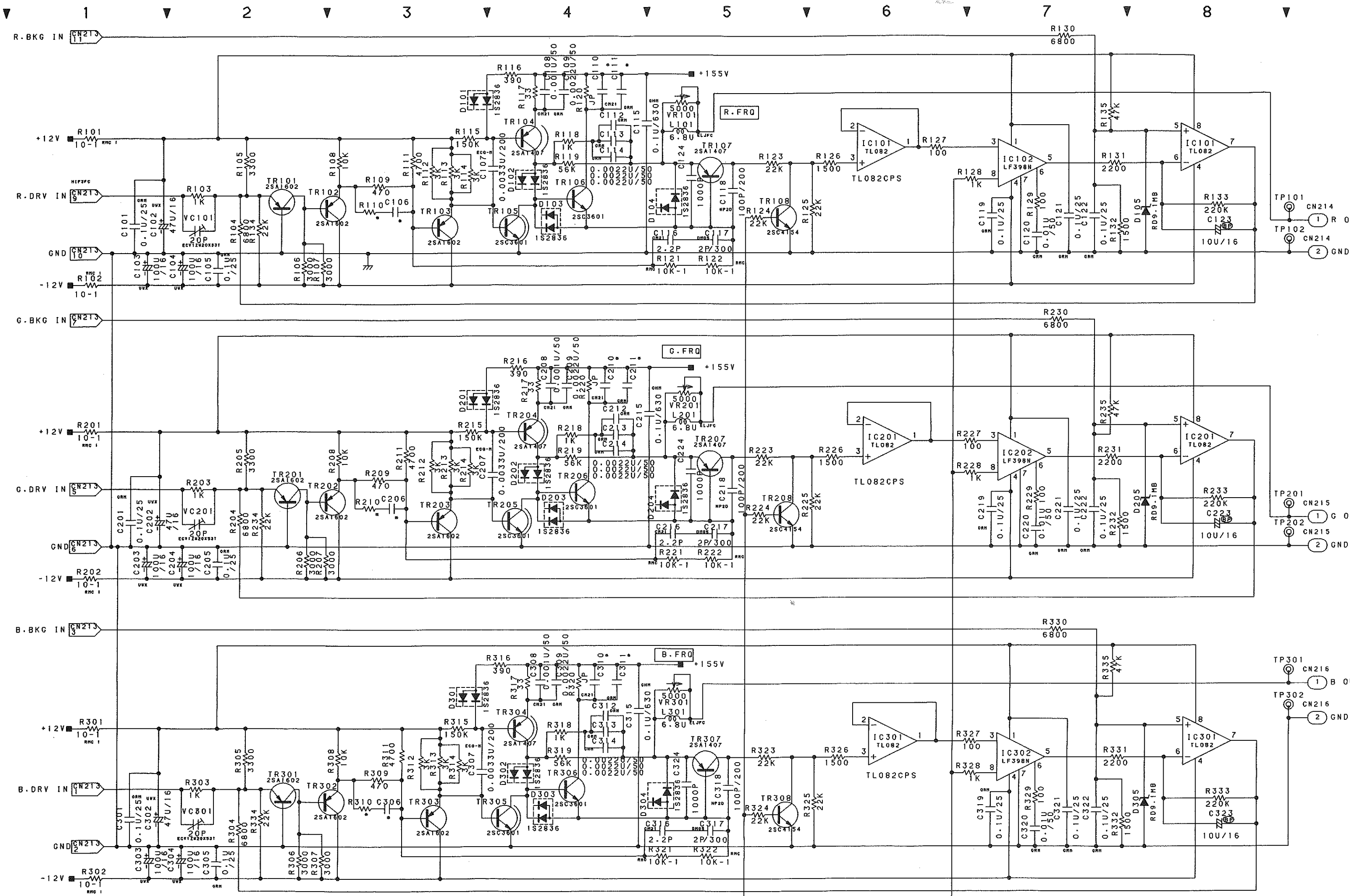
F

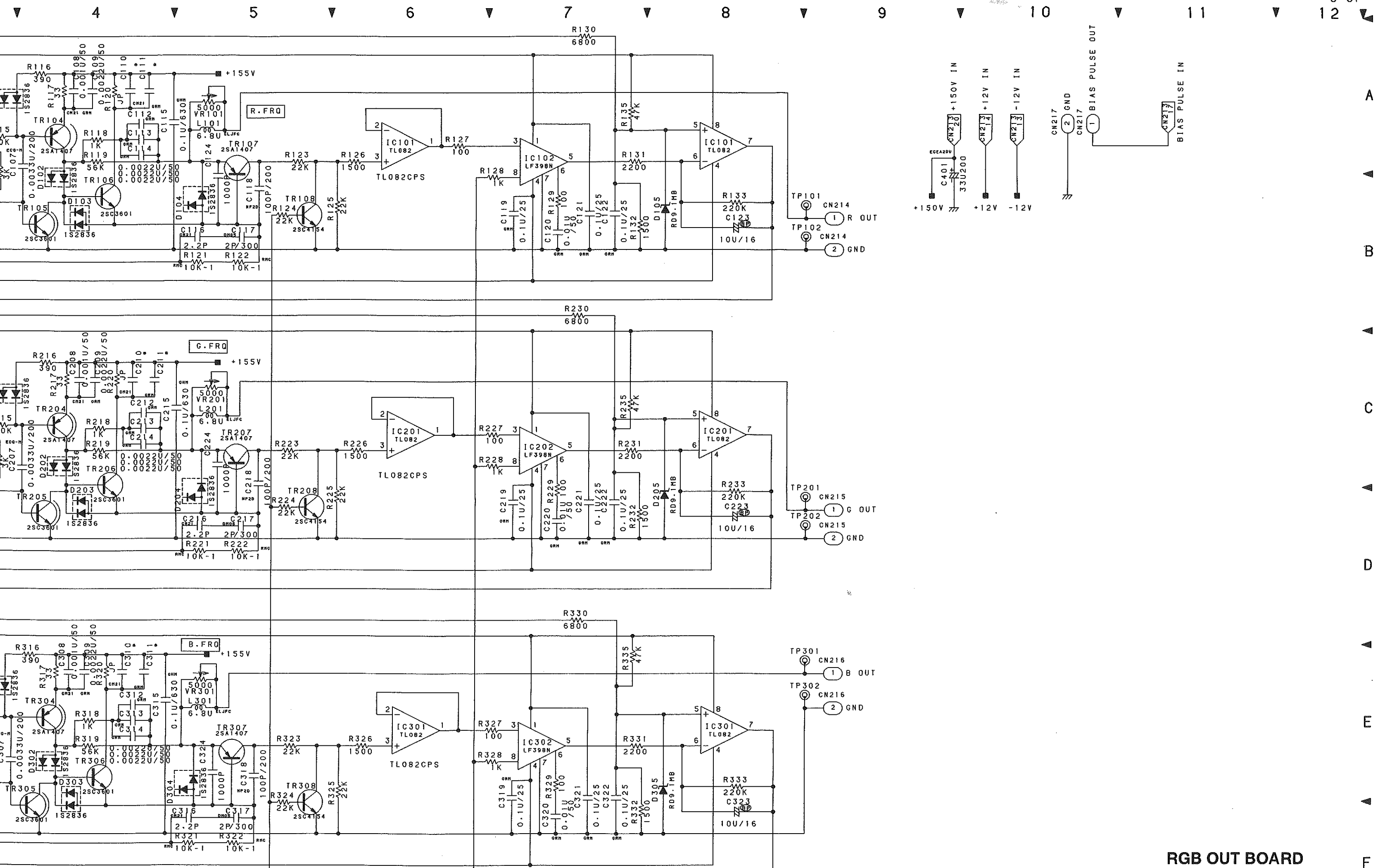


**RGB OUT BOARD**  
**Block Diagram**  
**C4-905359**



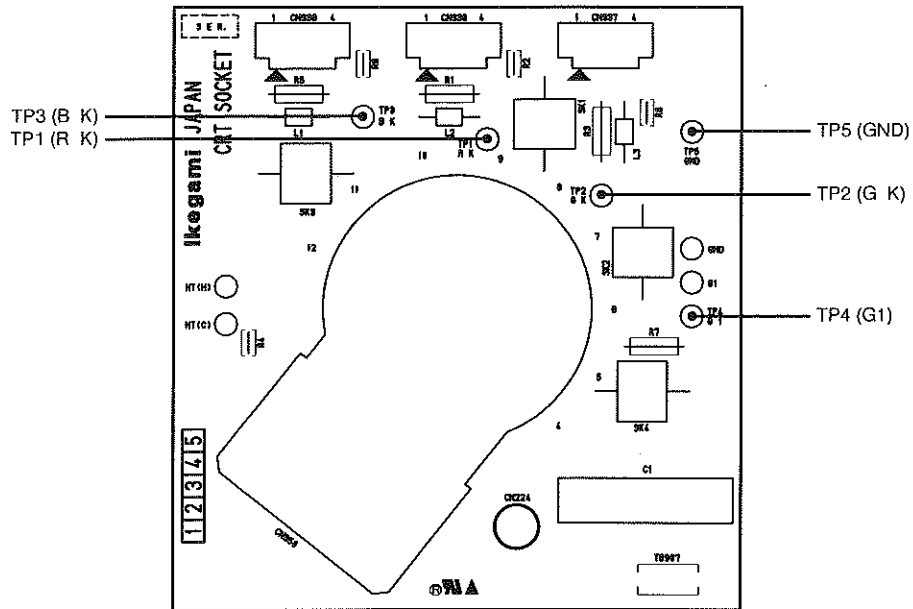
**RGB OUT BOARD  
Parts Location**





RGB OUT BOARD Schematic Diagram

8.6 CRT SOCKET BOARD

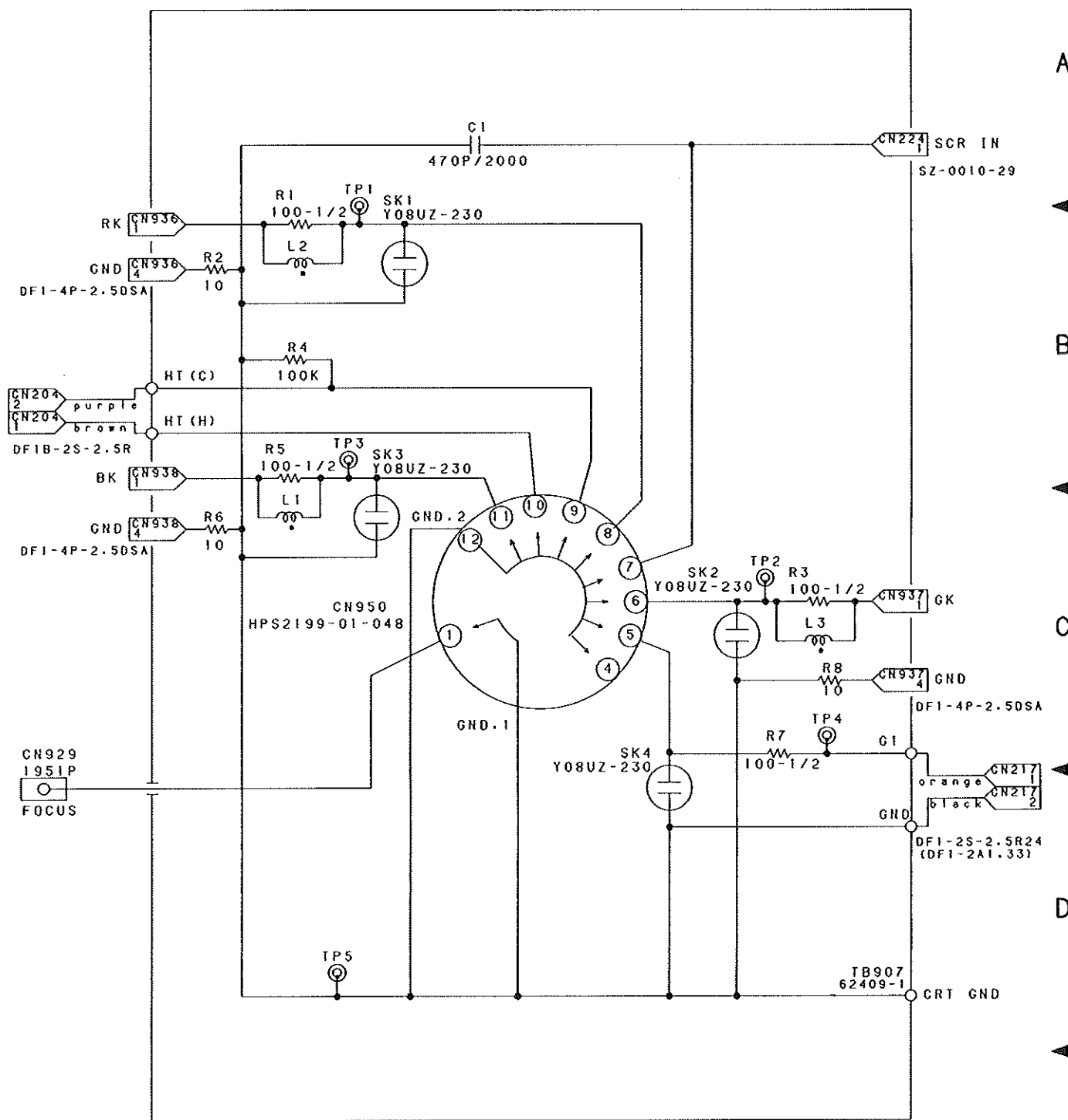


1

2

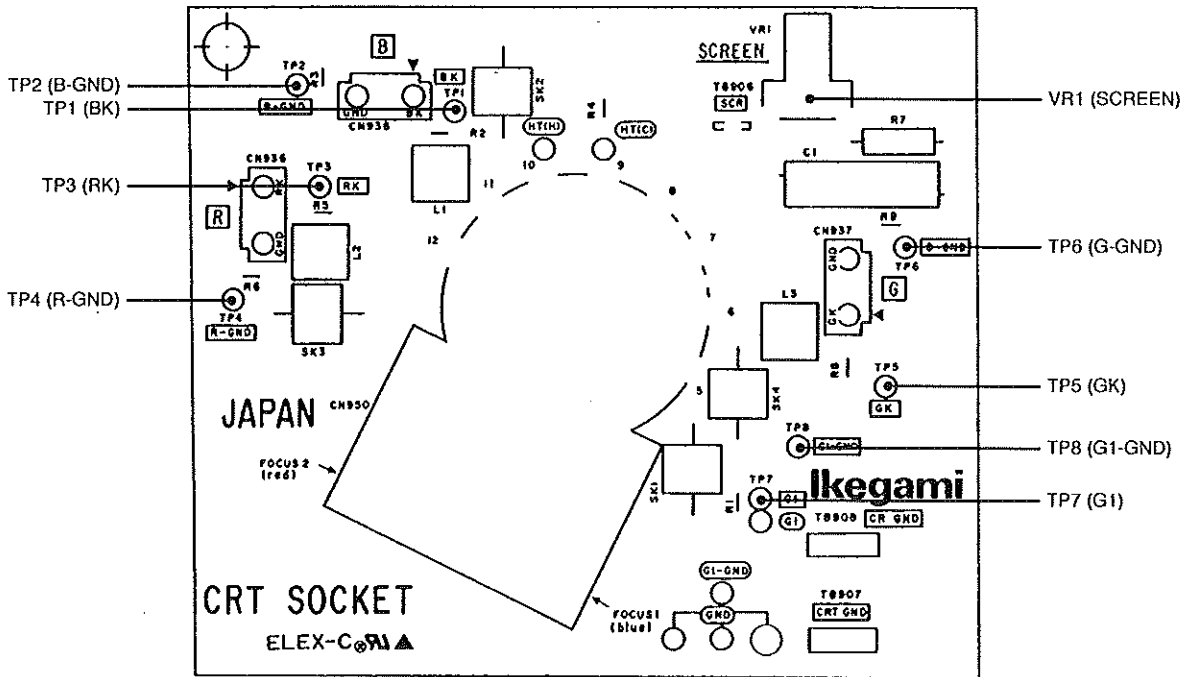
3

4

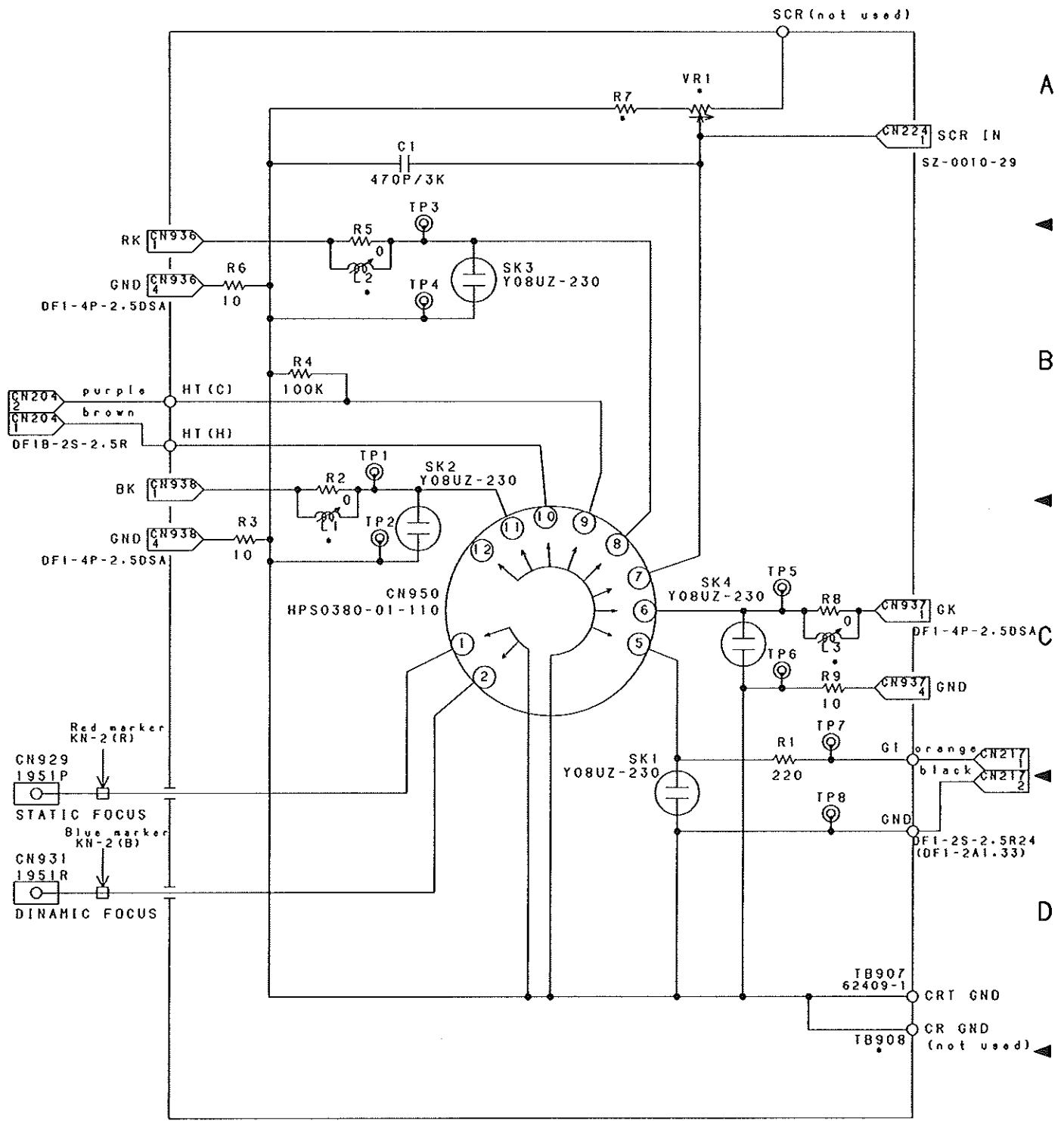


**TM14/20-80**  
**CRT SOCKET BOARD**  
**Schematic Diagram**  
**C4-905399-1**





**TM20-90  
CRT SOCKET BOARD  
Parts Location**



**TM20-90**  
**CRT SOCKET BOARD**  
**Schematic Diagram**  
**C4-905401-1**

## 9. DEF & POWER SYSTEM

### 9.1 DEF BOARD & H.V OUT BOARD

#### (1) Outline

This board performs horizontal and vertical deflection based on the HD and VD supplied via the MOTHER BOARD.

It also generates and controls voltages supplied to the CRT such as high voltage.

#### (2) Circuit description

##### (a) Vertical deflection circuit

IC205 performs sync signal processing of the horizontal and vertical blocks, and corrects deflection. In this IC, the pulse synchronizes with the VD supplied from the VIDEO PROC BOARD.

This board is created and output to the saw-tooth wave.

This saw-tooth wave is pulled-up by IC401.

This amplitude determines the screen height.

##### (b) Horizontal deflection circuit

IC205 is the center of the horizontal deflection drive circuit. By DC-controlling the delay of the horizontal deflection pulse (pin 25 of IC205), the H.PHASE is controlled.

IC205 has a generation circuit that follows the frequency of the input signal. The drive pulse is added to the horizontal drive circuit (TR608) via the buffer (TR204). After amplifying the current by TR608 and T601, TR609 is driven.

##### (c) Protection circuit

When the high voltage malfunctions, the protection circuit increases the DC voltage supplied to pin 6 and 10 of IC1, to shut down the high voltage output.

When no deflection pulse is output (IC703, IC531 and IC532), the high voltage output is shut down.

1. The high voltage output rises abnormally above the level of the fly-back pulse set.
2. The pulse wave is not output to the cold side of the horizontal deflection yoke.
3. No saw-tooth waveform is output to the cold side of the deflection yoke, or DC bias is abnormally deviated.

##### (d) Horizontal centering circuit

This Controls the deflection position by the DC current supplied to the horizontal deflection yoke via L602.

The control current is generated by IC701.

Control is performed when the DC for H.CENT control is input.

TR616 and TR617 are buffers.

##### (e) Rotation adjustment circuit

The rotation coil cancels horizontal magnetic fields on the monitor. The DC current supplied to the rotation coil is controlled by IC561.

##### (f) Dynamic focus circuit

IC501 is a pulse generator for dynamic focus.

It generates horizontal and vertical parabola waves from HD and VD.

It superimposes the vertical parabola wave to the horizontal parabola wave to adjust the dynamic focus.

##### (g) High voltage output circuit

The high voltage output is controlling by the high voltage stabilization circuit (IC1) for fly back transformer, as well as the high voltage protection and X-RAY protection.

#### (3) Adjustment procedure

##### (a) VR213 :LF

VR214 :HF

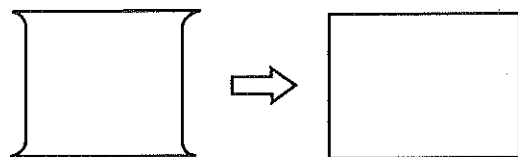
1. Set VR214 to the center.
2. Adjust the DC potential of pin 7 of IC207 to 1.3V using VR213.

##### (b) VR702 :H.HOLD 3

The VRs for adjusting differ according to specifications.  
VR702 :15kHz HOLD ADJ\_1

##### (c) VR207 :SIDE PIN CORNER

1. Press the TEST switch and select the CROSS HATCH signal.
2. Correct the distortion of the screen corners using VR207.



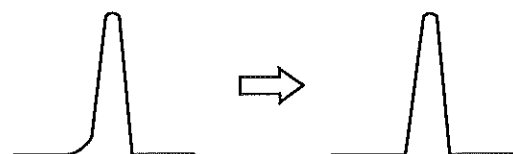
##### (d) VR210 :VERTICAL S CONT

VR211 :VERTICAL C CONT

1. Press the TEST switch and select the CROSS HATCH signal.
2. Optimize the vertical linearity using VR210 and VR211.

##### (e) VR603 :H.DRIVE

1. Input a signal with a horizontal frequency.
2. Flatten the rising edge of the horizontal deflection pulse at TP602 using VR603.



**(f) VR401 :SET UP HEIGHT****VR402 :MIN HEIGHT**

1. Set the SCAN SIZE to 16:9 NORMAL, and set the SETUP switch to ON.

2. Adjust HEIGHT on the screen to the following sizes using VR401.

TM14-80	:60mm
---------	-------

TM20-80/90	:80mm
------------	-------

3. Set SCAN MODE to 16:9 UNDERSCAN, and set HEIGHT to 10% using the preset HEIGHT on the drawer panel.

4. Adjust HEIGHT on the screen to the following sizes using VR402.

TM14-80	:152mm
---------	--------

TM20-80/TM20-90	:214mm
-----------------	--------

**(g) VR501 :V.PARA GAIN****VR502 :H.PARA GAIN****VR503 :O.S-7**

1. Impose an appropriate bias using VR503, adjust the focus on the left and right sides of the screen using VR502, and optimize the top and bottom edges using VR501.

**(h) VR1 :X-RAY PROT****VR2 :HV ADJ**

1. Connect the high voltage meter to the anode cap.

2. Set the high voltage as follows.

TM14-80	:27.5kV
---------	---------

TM20-80/TM20-90	:28.5kV
-----------------	---------

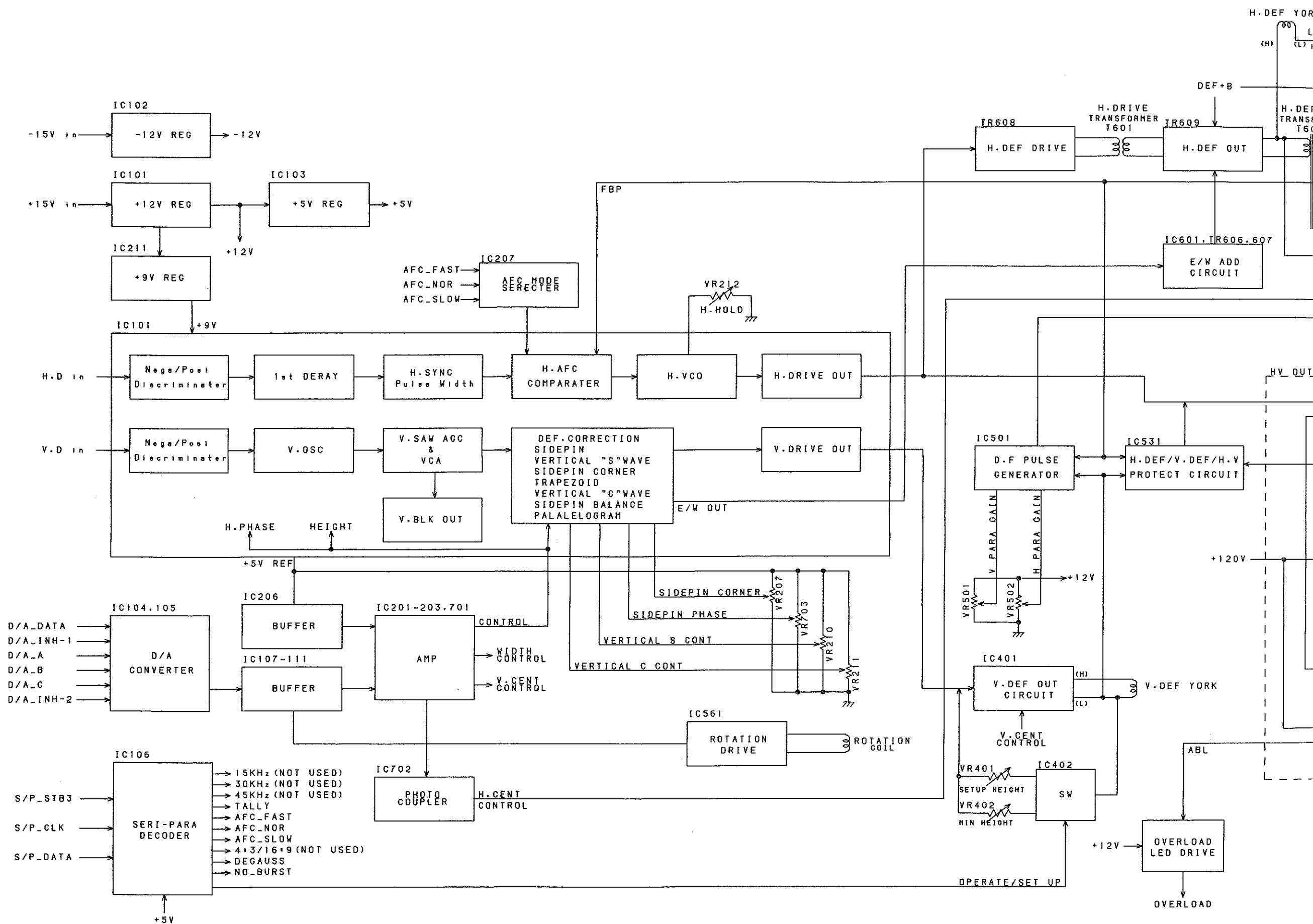
3. Set CONTRAST and BRIGHTNESS to the MANUAL mode, and minimize each.

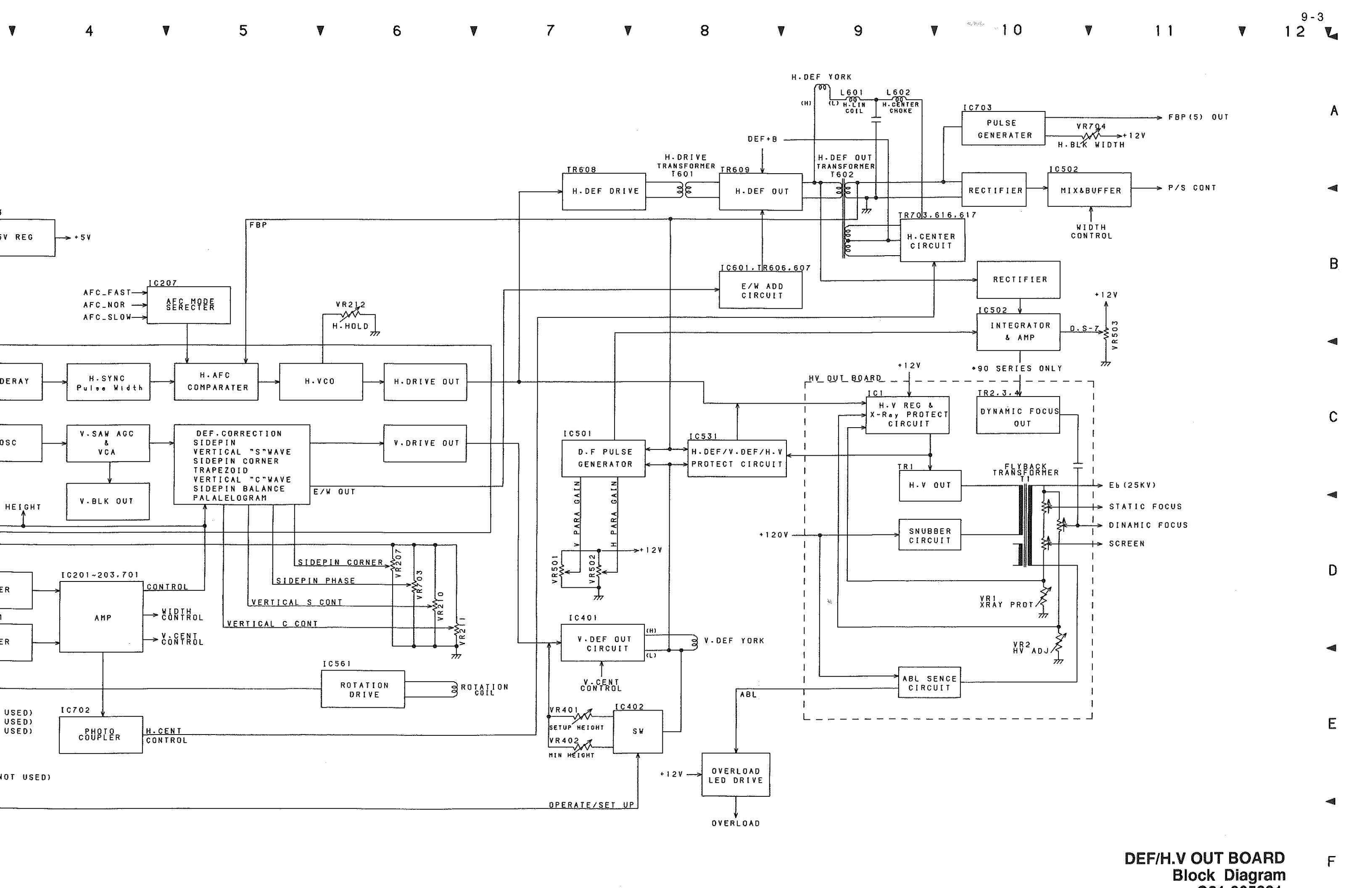
4. Start protection operations using VR1, and then turn OFF the POWER once.

5. Lower VR2 slightly (towards the MIN side), turn ON the POWER, and set the high voltage as follows.

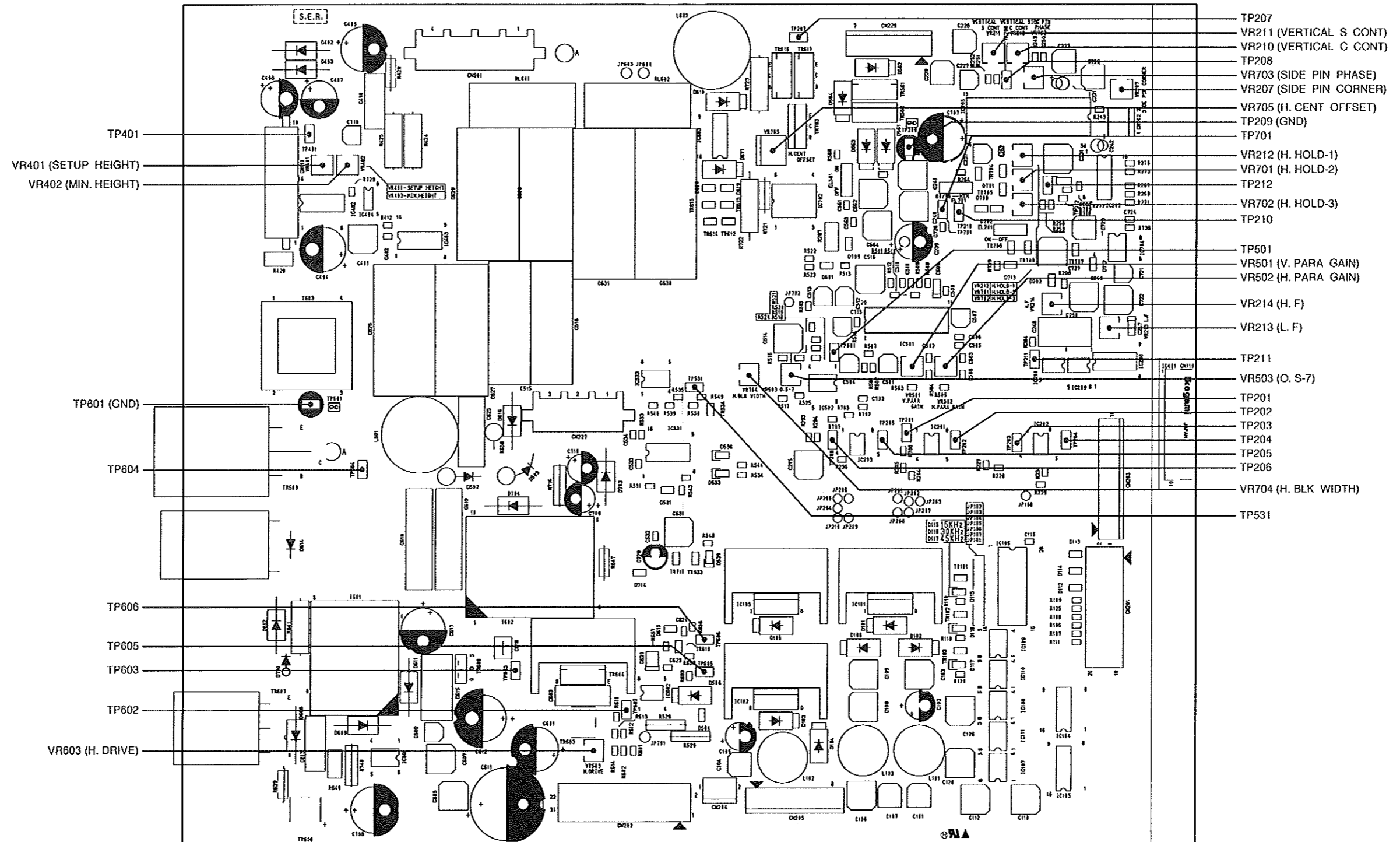
TM14-80	:25kV
---------	-------

TM20-80/TM20-90	:26kV
-----------------	-------

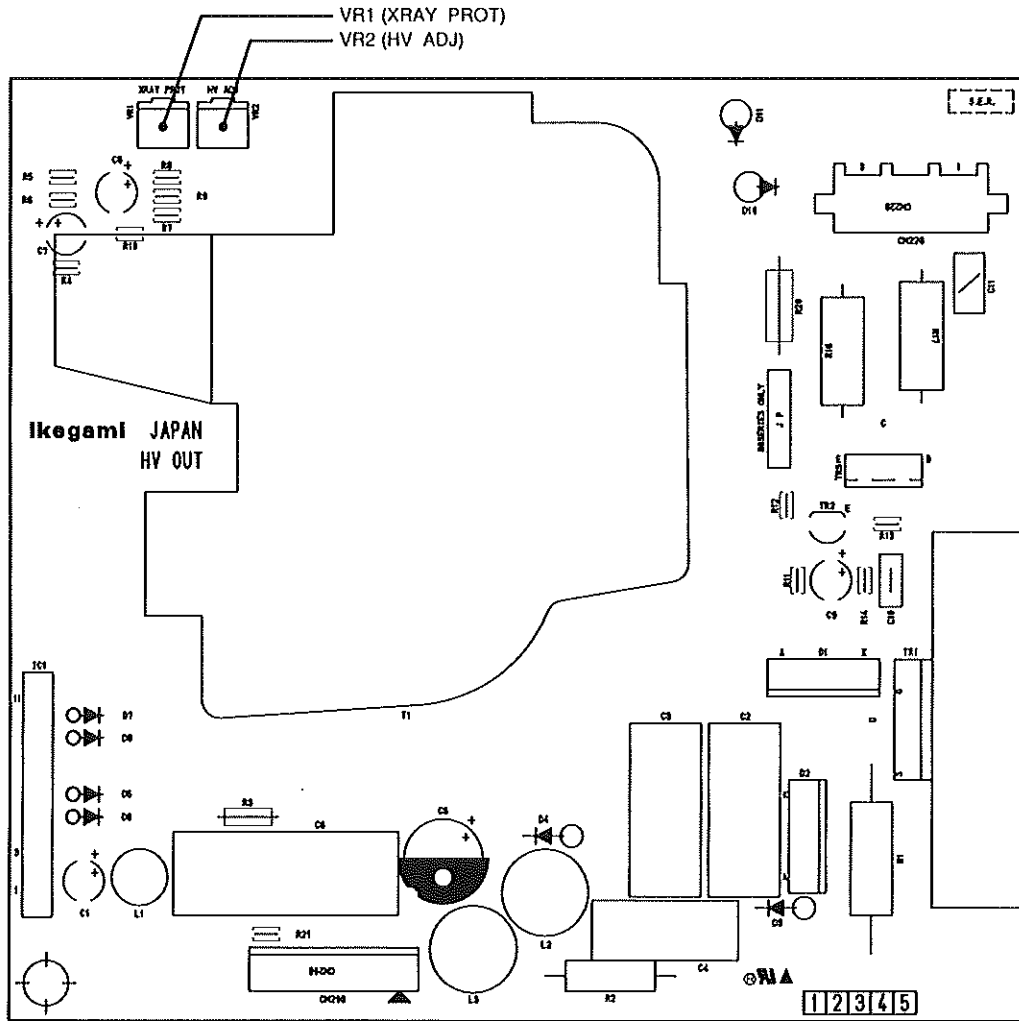




DEF/H.V OUT BOARD  
Block Diagram

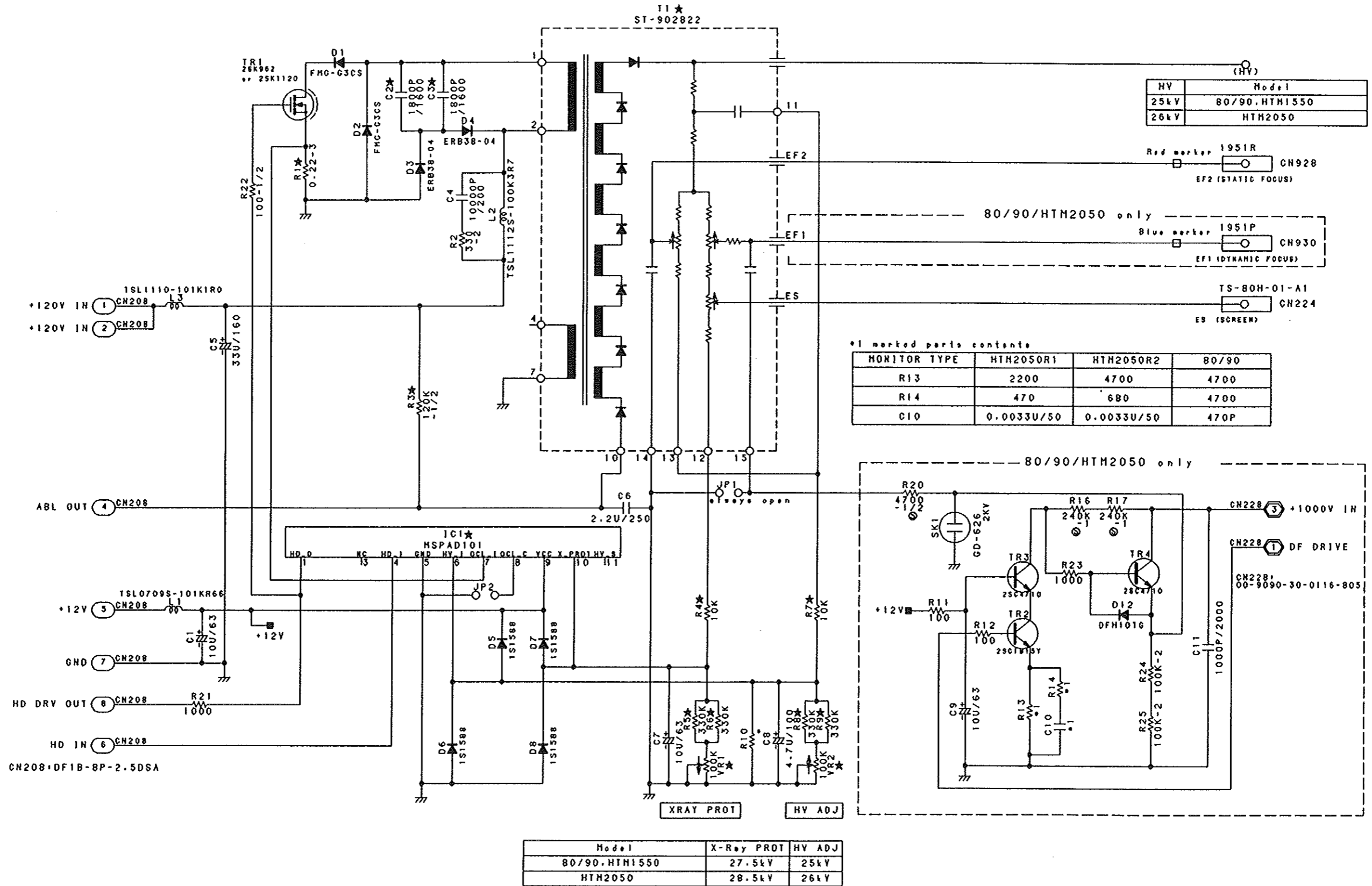


**DEF BOARD**  
**Parts Location**



**H.V OUT BOARD  
Parts Location**





H.V. OUT BOARD  
Schematic Diagram  
C3-905334-4

## 9.2 POWER BOARD

### (1) Outline

This board inputs AC power supplied to the monitor and outputs current voltage used by each board of the deflection and video blocks.

### (2) Circuit description

#### (a) AC voltage switching circuit

The AC input voltage is switched manually by disconnecting and connecting connectors.

Insert CN102 and CN104 when using the AC100V block.

Insert CN103 and CN105 when using the AC200V block.

#### (b) DEGAUSS circuit

The power of the degauss coil is supplied from the AC. It is turned ON/OFF by RL103 and the drive circuit (TR106).

#### (c) Main power circuit

This circuit outputs current power supply other than that for horizontal deflection output. Switching is controlled by IC101.

##### 1. Power On

When the input voltage is input to the starting voltage input terminal (pin 5 of IC101) via the starting resistor (R107), the output transistor TR1 (MOS FET) that is inclusion to IC101 turns ON and drain current flows via the coils between pins 4 and 3 of T102. Following this, voltage is induced in the coils between pins 2 and 1 of T102. As these coils are wound so that this voltage turns ON the output transistor TR1 continuously, drain current continues to flow to increase the voltage at two ends of the current detection resistor (R110).

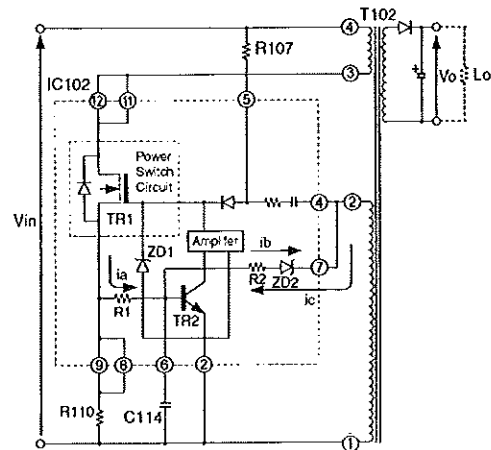
The voltage generated to the resistance (R110) for current detection supplies the voltage that was integrated with the time constant of R1 and C114 to the base of TR2.

When the TR2 base potential exceeds about 0.6V, TR2 turns ON to turn OFF the output transistor TR1.

When the output transistor TR1 goes OFF, power is supplied to the secondary side. At the same time, as the  $i_b$  current (see the following figure) is supplied to the TR2 base, a negative voltage is supplied, thus making it difficult to turn ON TR2.

By repeating the above operations for several times, the load voltage at both ends of secondary duty rises.

While the output transistor TR1 is OFF, power is supplied to the secondary side, after the oscillation that output transistor TR1, comes to turn on with the back swing after that and stabilized.



##### 2. Output stabilization circuit (Constant voltage operations)

This amplifies the changes in the +120V output by IC106, inputs it to the amplification circuit control terminal (pin 1 of IC101) via the photocoupler (IC103) to impose the negative feedback and stabilize the output voltage.

##### 3. Overcurrent protection circuit

This is composed of R110, R1, TR2, C114, R2 and ZD2. The TR2 base potential in the normal state is obtained by smoothing with C114 the  $i_a$  and  $i_c$  potentials generated when the output transistor TR1 is turned ON and  $i_b$  generated when the output transistor TR1 is turned OFF. As the output voltage increases, the source current of the output transistor TR1 increases. Consequently, the potential at the two ends of R110 increases to decrease the generation frequency. When the base potential of TR2 becomes about 0.6V, the gate voltage of the output transistor TR1 is pulled.

The output transistor TR1 source current flows in triangular waves. Therefore when the output current increases, the ON time of the output transistor TR1 becomes constant, the OFF time increases, the output current decreases, and the over-current protection circuit operates.

#### (d) DEF+B power supply circuit

The variable DC power supply for horizontal deflection output is being output in this circuit. The switching in this circuit is controlled by IC102.

##### 1. Power On

After a certain time from the start of this power supply, the reset signal from the DEF BOARD passes through the focus coupler (IC105), and is added to the ON/OFF terminal (pin 5 of IC102), and when the potential becomes GND, IC102 start switching operations.

The operations of the transformer (T103) can be turned ON/OFF.

##### 2. Output stabilization circuit

This amplifies the fluctuations of the DEF +B output at IC107 and IC108, feeds back the output to the F/B terminal (pin 8 of IC102) via the photocoupler (IC104) to stabilize the output voltage.

### 3. Over-current protection circuit

By feeding back the voltage of the resistor (R125) for over-current protection to the CLM terminal (pin 15 of IC102), the limiter to operate when over-current is output.

## (3) Adjustment procedure

### (a) VR101 :+B ADJ

1. Connect an accurate digital voltmeter to TP102.

**Note:** As the secondary power supply circuit is used, connect the minus side to TP107 (GND).

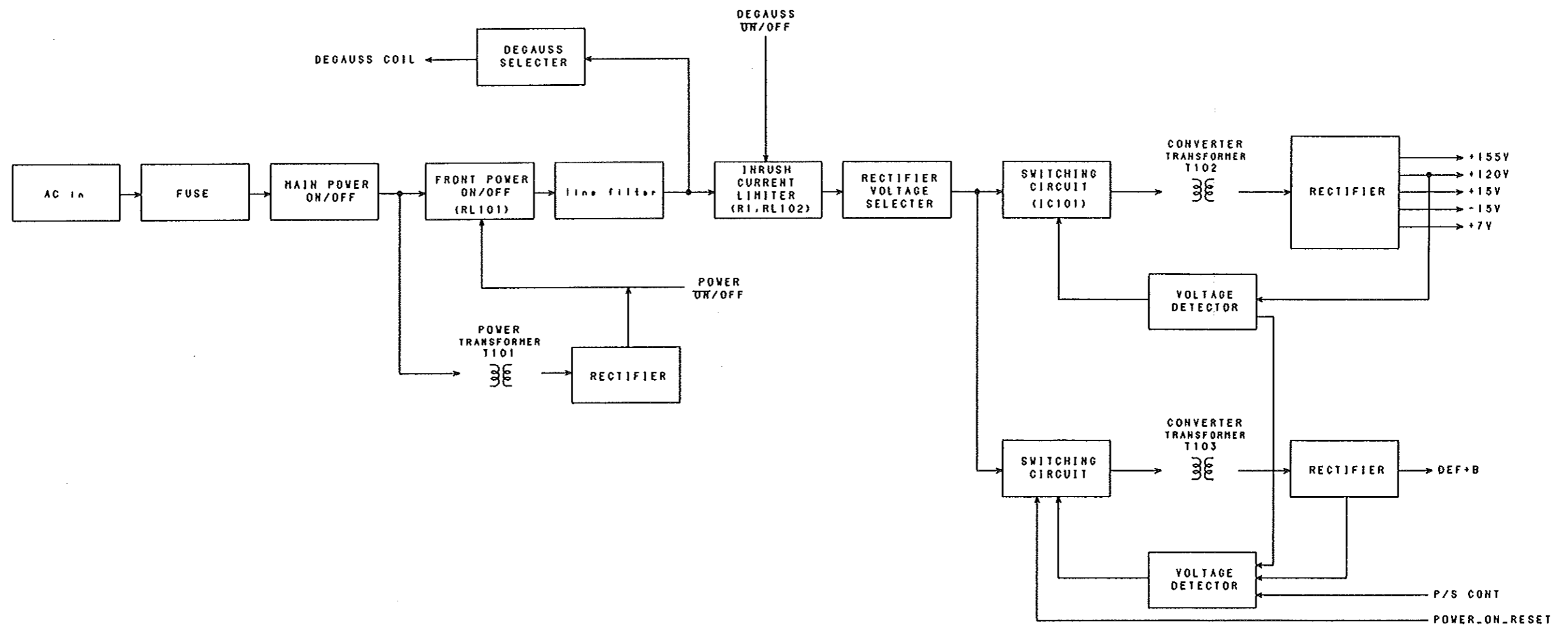
2. Adjust the DC voltage to +120V using VR101.

#### **WARNING**

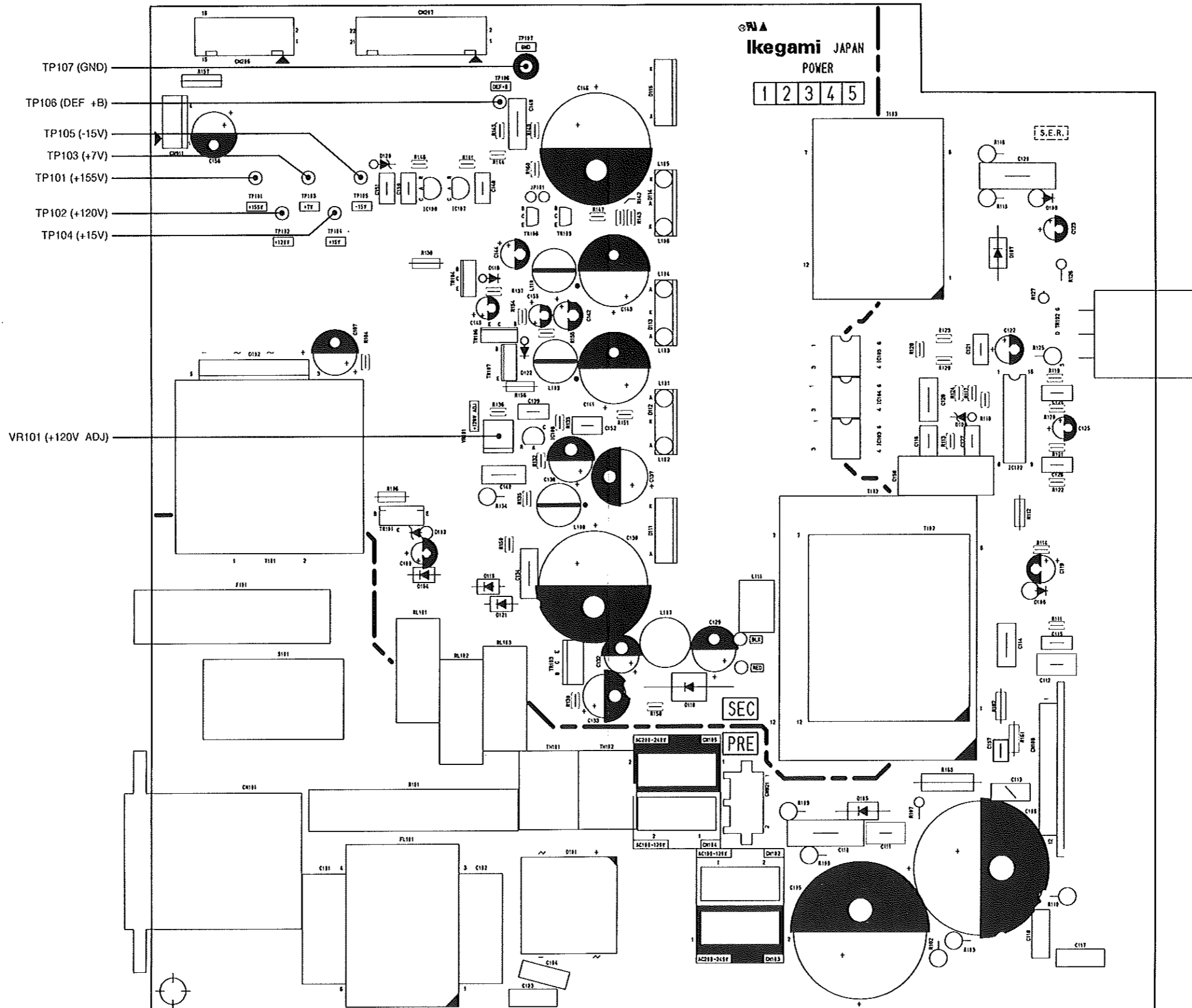
As the parts indicated as PRIMARY in the schematic diagram are the primary circuit of the power supply, do not short-circuit the secondary circuit.

#### **CAUTION**

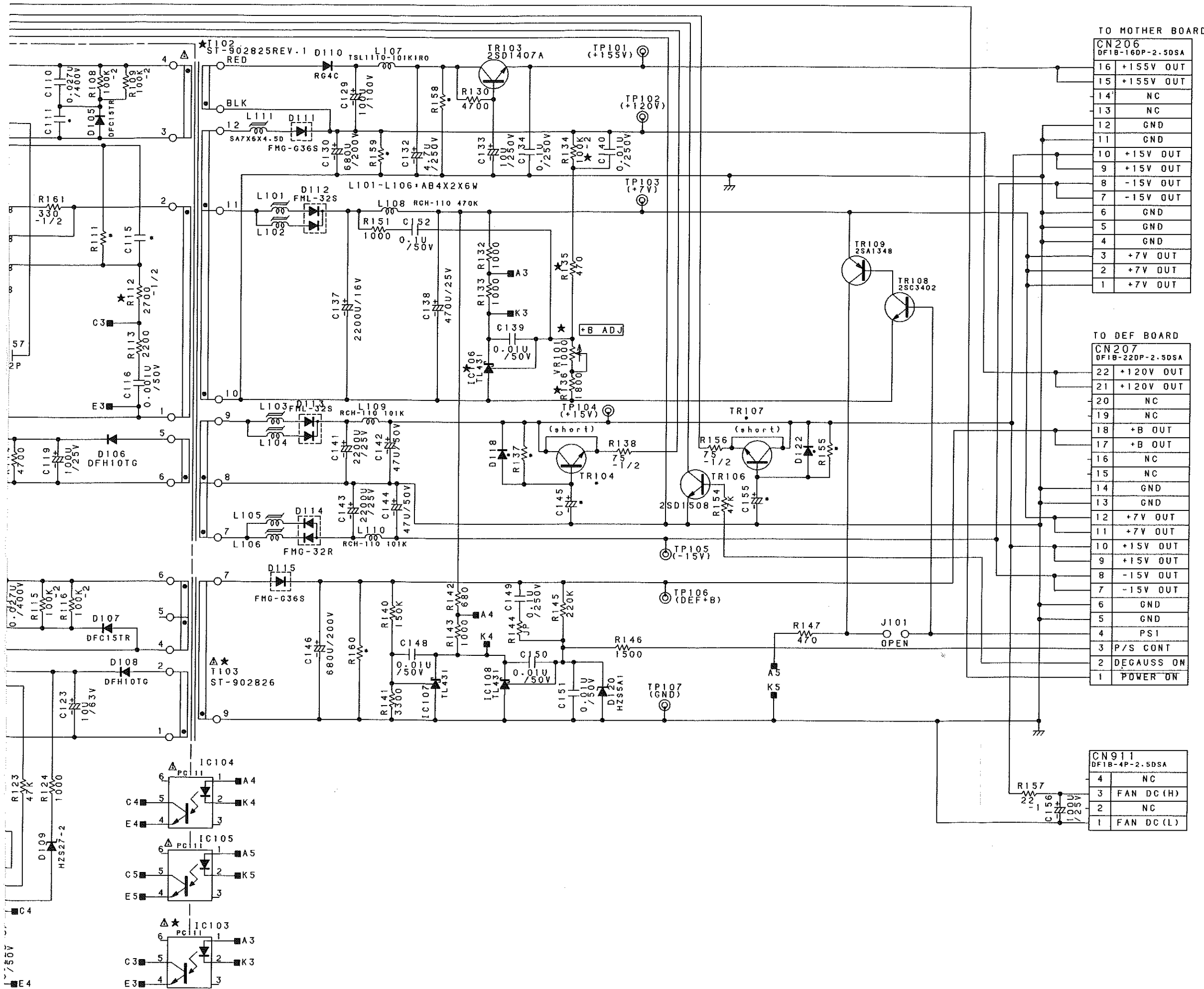
The section marked as PRIMARY in the schematic diagram is the primary side of the power supply. Be sure not to short with the secondary side.



POWER BOARD  
Block Diagram  
C3-905330



POWER BOARD  
Parts Location



TO MOTHER BOARD

CN206	DF1B-160P-2.5DSA
16	+155V OUT
15	+155V OUT
14	NC
13	NC
12	GND
11	GND
10	+15V OUT
9	+15V OUT
8	-15V OUT
7	-15V OUT
6	GND
5	GND
4	GND
3	+7V OUT
2	+7V OUT
1	+7V OUT

TO DEF BOARD

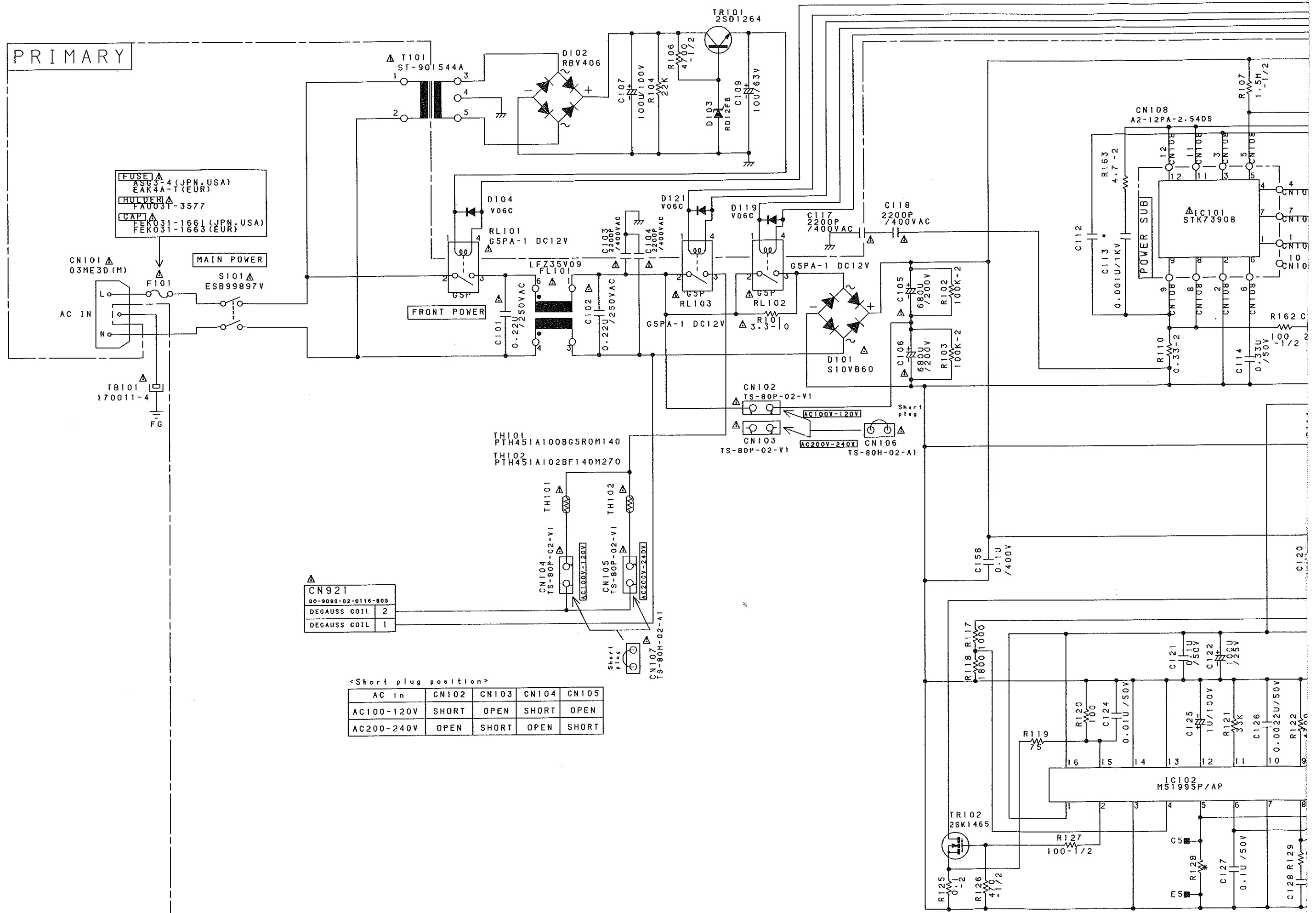
CN207	DF1B-220P-2.5DSA
22	+120V OUT
21	+120V OUT
20	NC
19	NC
18	+B OUT
17	+B OUT
16	NC
15	NC
14	GND
13	GND
12	+7V OUT
11	+7V OUT
10	+15V OUT
9	+15V OUT
8	-15V OUT
7	-15V OUT
6	GND
5	GND
4	PS1
3	P/S CONT
2	DEGAUSS ON
1	POWER ON

CN911

DF1B-4P-2.5DSA	
4	NC
3	FAN DC(H)
2	NC
1	FAN DC(L)

A  
B  
C  
D  
E  
F

POWER BOARD Schematic Diagram



PRIMARY

FUSE A  
ASU3-4 (JPN, USA)  
EAK4A-T (EUR)  
HOLDER A  
FAU03T-3577  
CAP A  
FER031-1661 (JPN, USA)  
FER031-1663 (EUR)

CN101 A  
03ME3D (M)  
F101  
AC IN  
S101 A  
ESB99897V  
MAIN POWER

FRONT POWER

CN108  
A2-12PA-2.54DS

IC101  
STK73908

POWER SUB

TH101  
PTH451A100BG5R0M140  
TH102  
PTH451A102BF140M270

CN921  
00-9090-02-0116-805  
DEGAUSS COIL 2  
DEGAUSS COIL 1

<Short plug position>

AC in	CN102	CN103	CN104	CN105
AC100-120V	SHORT	OPEN	SHORT	OPEN
AC200-240V	OPEN	SHORT	OPEN	SHORT

IC102  
M51995P/AP

TR102  
2SK1465

R125  
0.1

R126  
470

R127  
100-1/2

R128  
100

R129  
100

R130  
100

R131  
100

R132  
100

R133  
100

R134  
100

R135  
100

R136  
100

R137  
100

R138  
100

R139  
100

R140  
100

R141  
100

R142  
100

R143  
100

R144  
100

R145  
100

R146  
100

R147  
100

R148  
100

R149  
100

R150  
100

R151  
100

R152  
100

R153  
100

R154  
100

R155  
100

R156  
100

R157  
100

R158  
100

R159  
100

R160  
100

R161  
100

R162  
100

R163  
100

R164  
100

R165  
100

R166  
100

R167  
100

R168  
100

R169  
100

R170  
100

R171  
100

R172  
100

R173  
100

R174  
100

R175  
100

R176  
100

R177  
100

R178  
100

R179  
100

R180  
100

R181  
100

R182  
100

R183  
100

R184  
100

R185  
100

R186  
100

R187  
100

R188  
100

R189  
100

R190  
100

R191  
100

R192  
100

R193  
100

R194  
100

R195  
100

R196  
100

R197  
100

R198  
100

R199  
100

R200  
100

## 10. CONTROL SYSTEM

### 10.1 FRONT RIGHT PANEL BOARD & OTHERS

#### (1) Outline

This system reads the positioning data of each switch, rotary encoder and remote number on the front panel, and transmits them to the CPU on the MPU BOARD.

The CPU controls each LED, etc..

#### (2) Circuit description

##### (a) Switch matrix circuit

The switches on the front right panel are of a matrix configuration and consists of IC1 to IC2. IC 1 and IC 2 are provided for encoder.

When press the switch is pressed, the output turns into a 6 bit code, which is read in CPU.

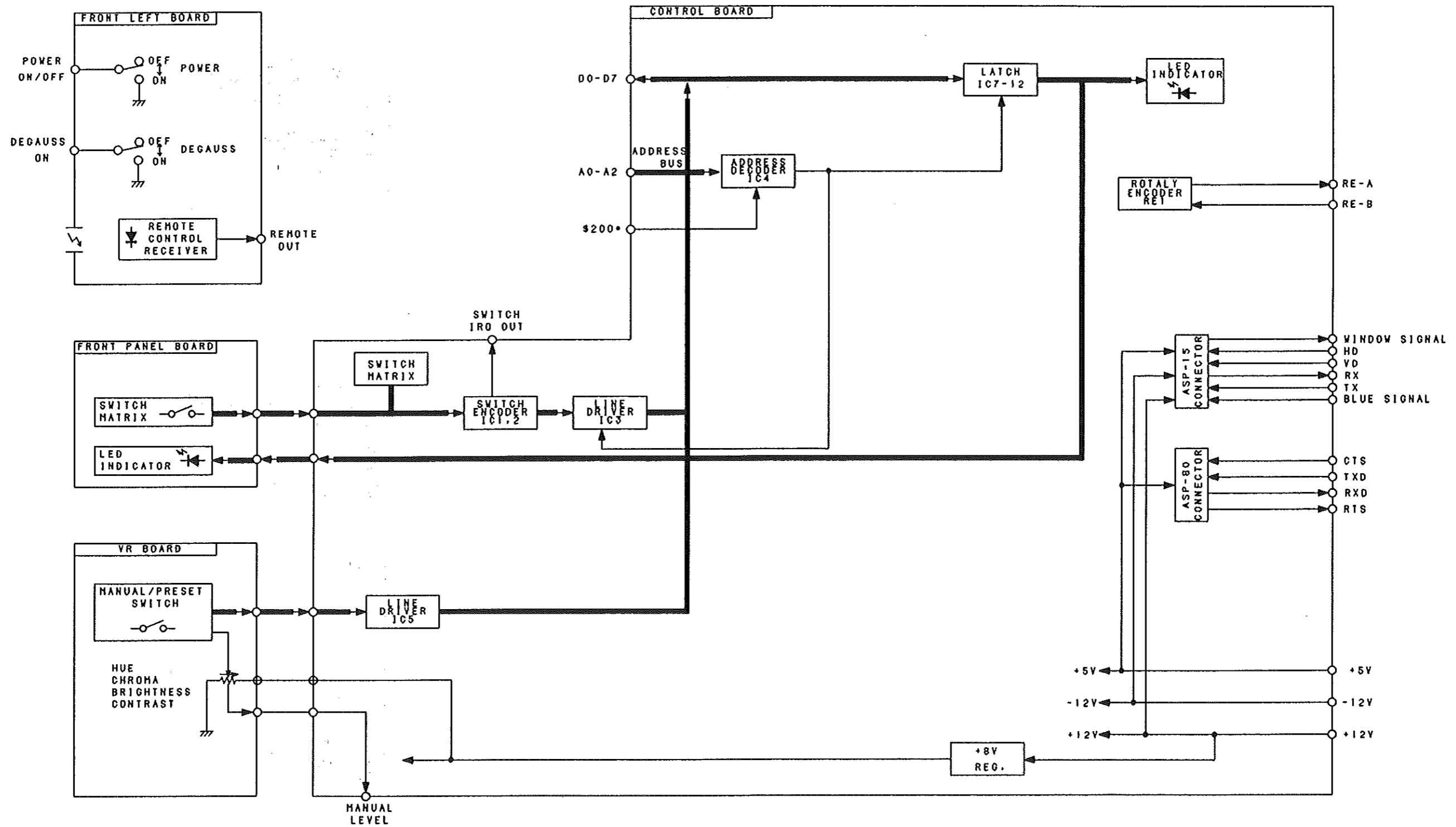
When the switch pin 15 of IC 2 outputs "H" at this moment, CPU interrupts the program and reads the switch code.

##### (b) I/O processing

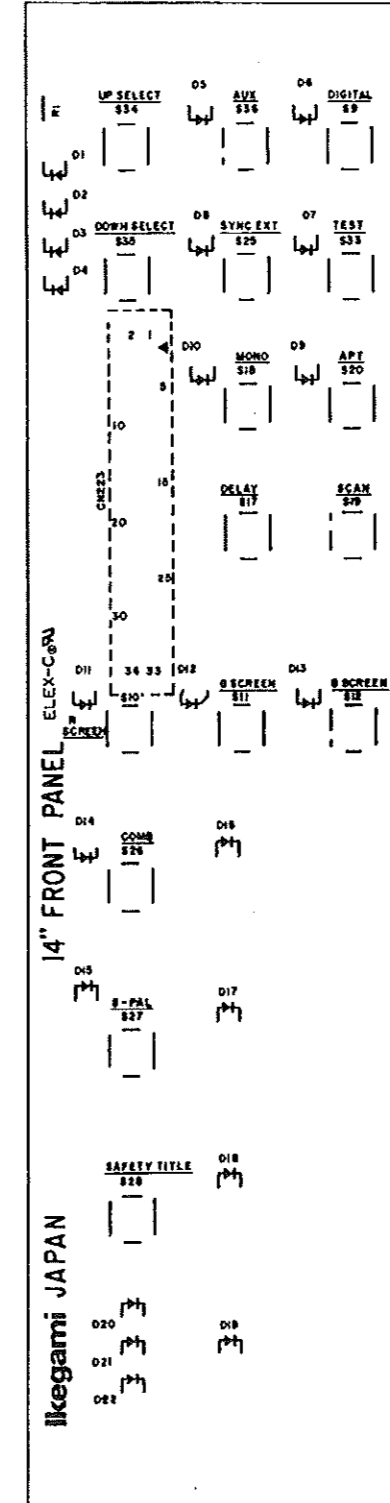
The address bus connecting from the MPU BOARD is allocated to address 8 (\$2000 to \$2007) by the address decoder of IC4 and latches each input/output port.

The latched data is transmitted to CPU through the data bus connecting from the MPU BOARD.

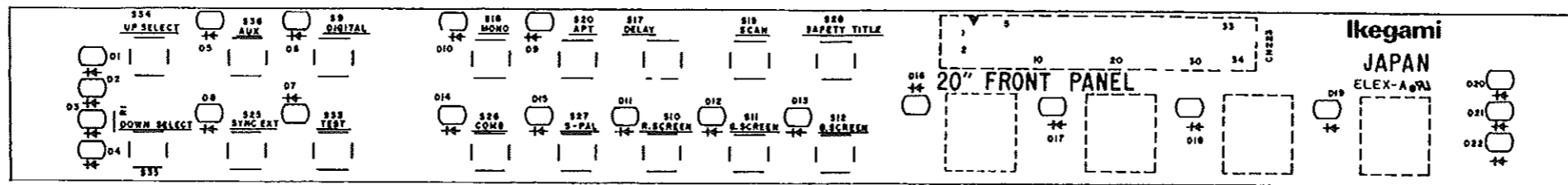




**CONTROL SYSTEM**  
 Block Diagram  
 C3-905509

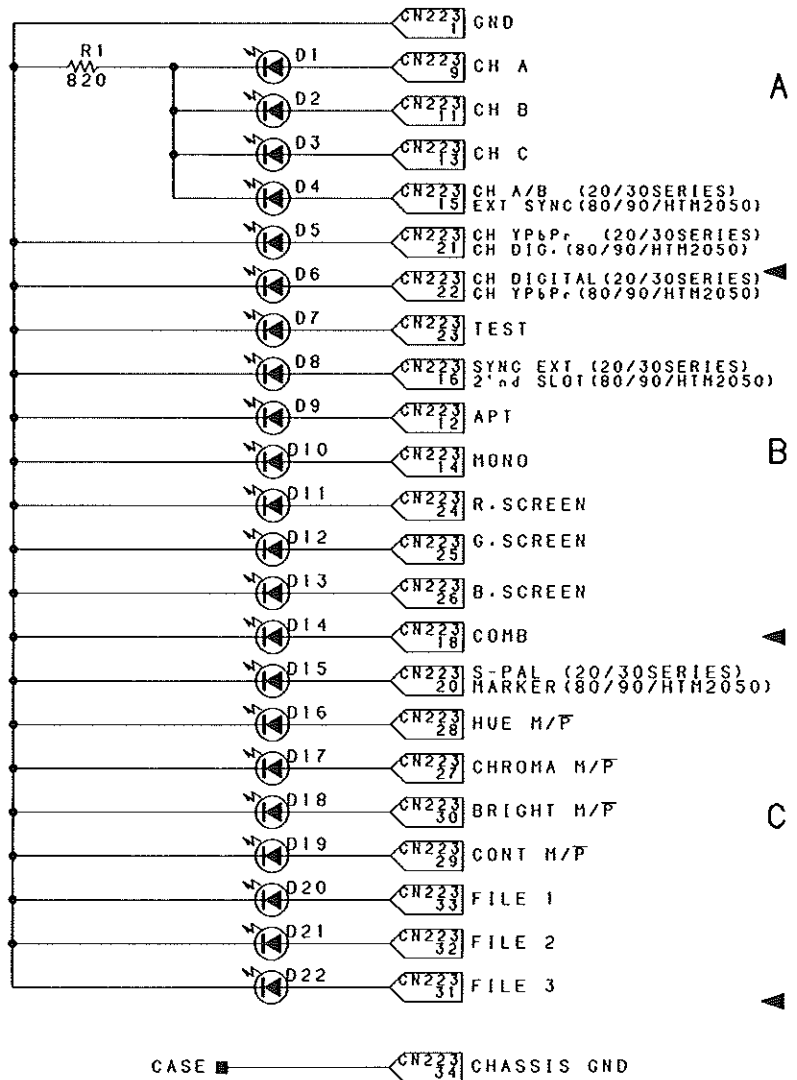


TM14-80  
FRONT RIGHT PANEL BOARD  
Parts Location

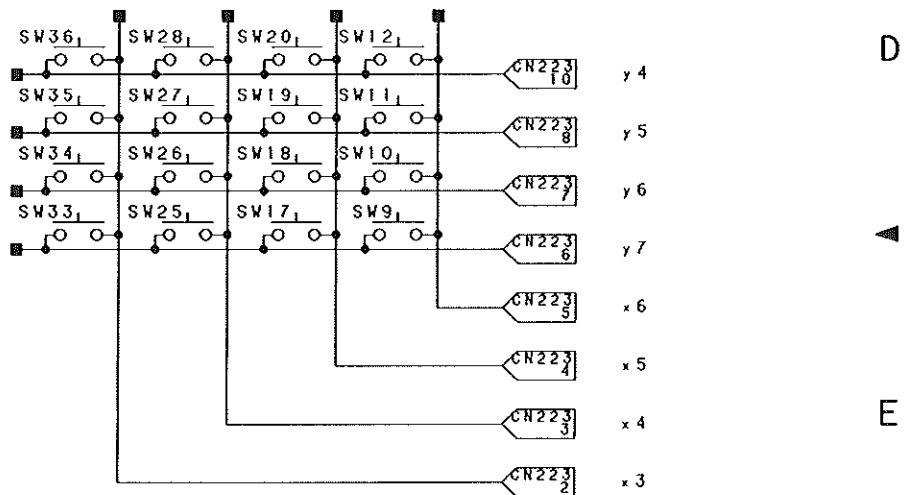


TM20-80/90  
 FRONT RIGHT PANEL BOARD  
 Parts Location

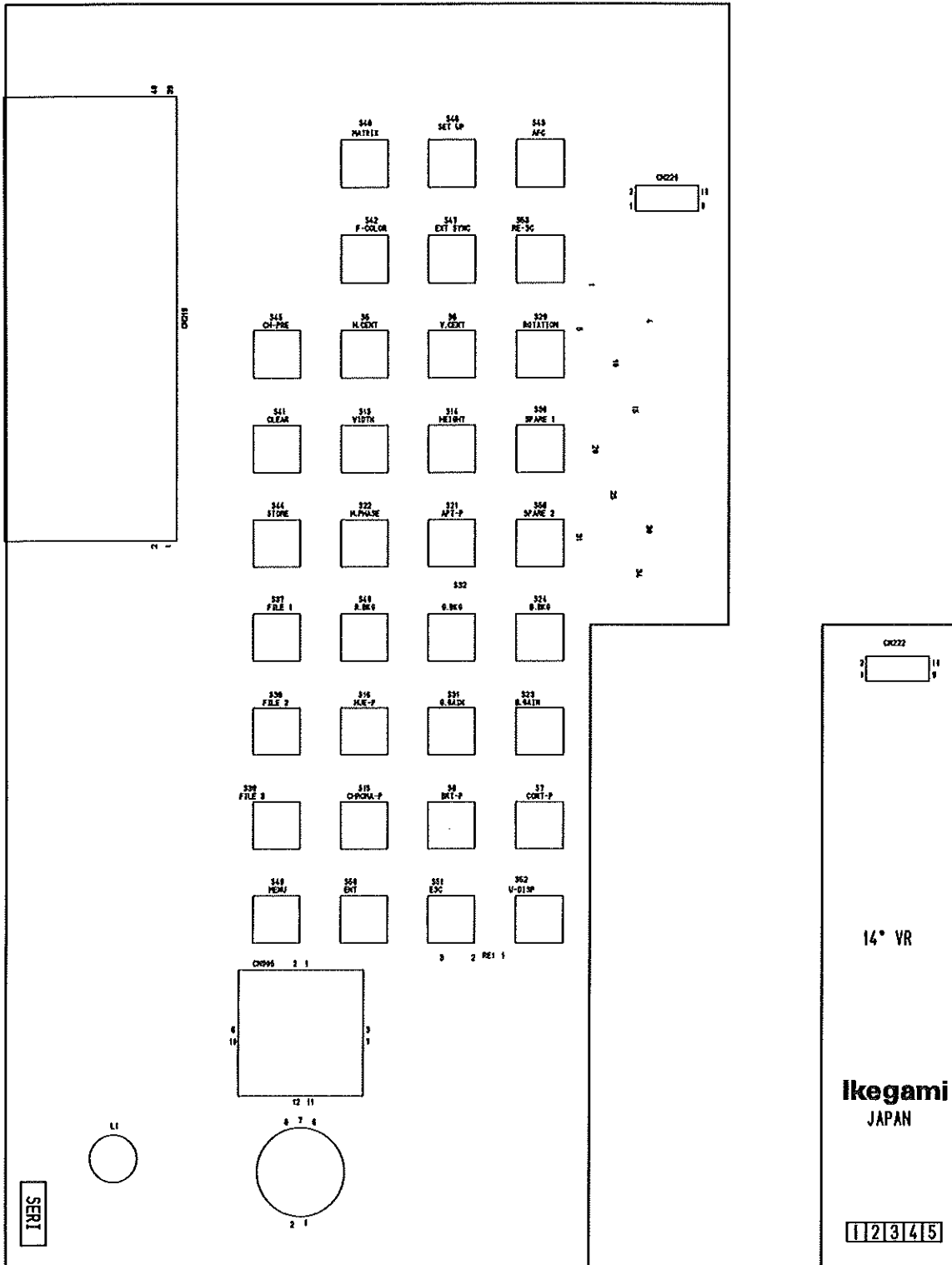
D1 to D15 : TLG226  
 D20 to D22 : TLG226  
 D16 to D19 : TLY226



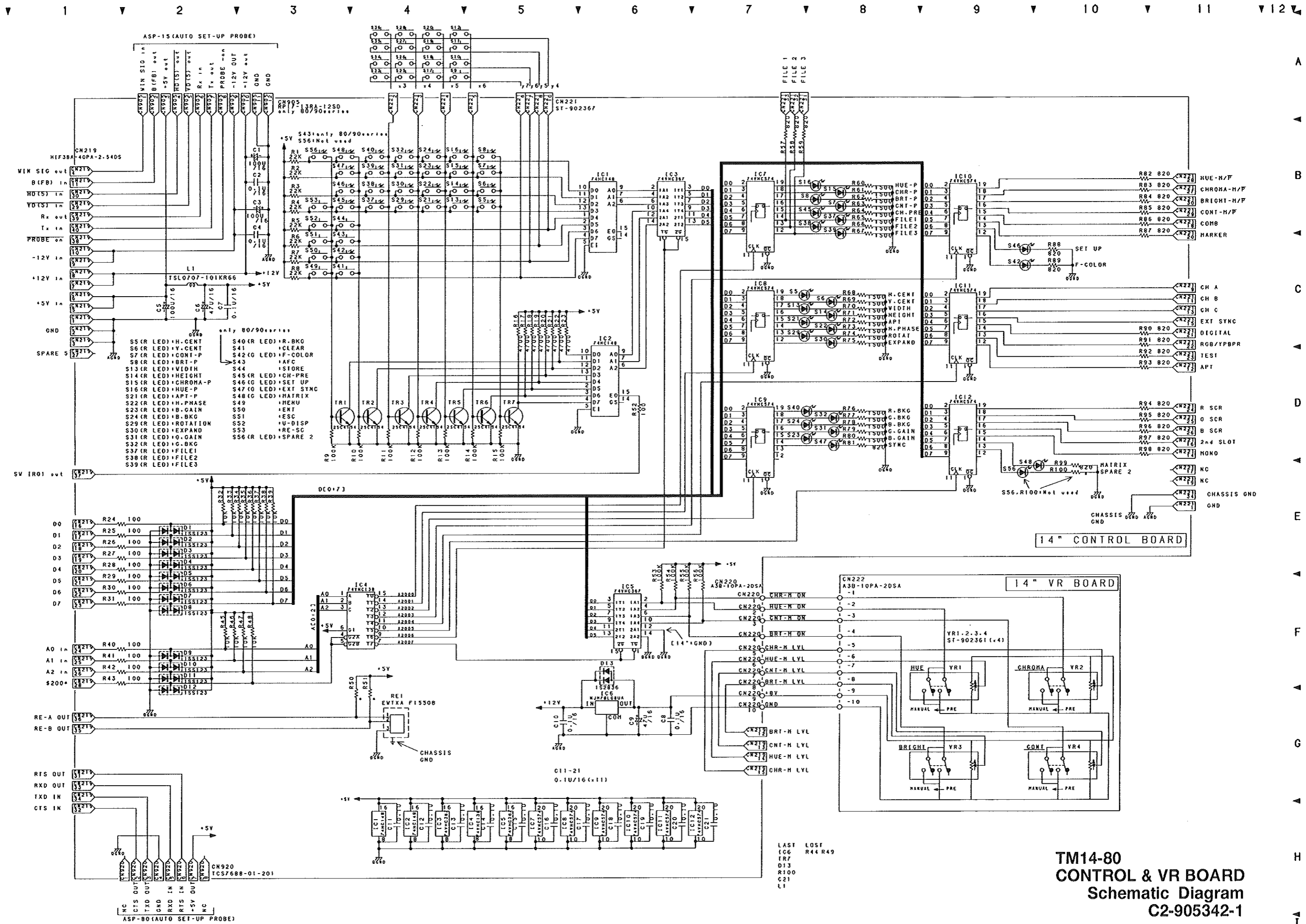
S9: DIGITAL (20/30SERIES)  
 YPbPr (80/90/HTM2050)  
 S10: R. SCREEN  
 S11: G. SCREEN  
 S12: B. SCREEN  
 S17: DELAY (20/30SERIES)  
 ASPECT (80/90/HTM2050)  
 S18: MONO  
 S19: SCAN  
 S20: APT  
 S25: SYNC EXT (20/30SERIES)  
 2nd SLOT (80/90/HTM2050)  
 S26: COMB  
 S27: S-PAL (20/30SERIES)  
 MARKER (80/90/HTM2050)  
 S28: SAFE TITLE (20/30SERIES)  
 DELAY (80/90/HTM2050)  
 S33: TEST  
 S34: UP SELECT  
 S35: DOWN SELECT  
 S36: YPbPr (20/30SERIES)  
 DIGITAL (80/90/HTM2050)



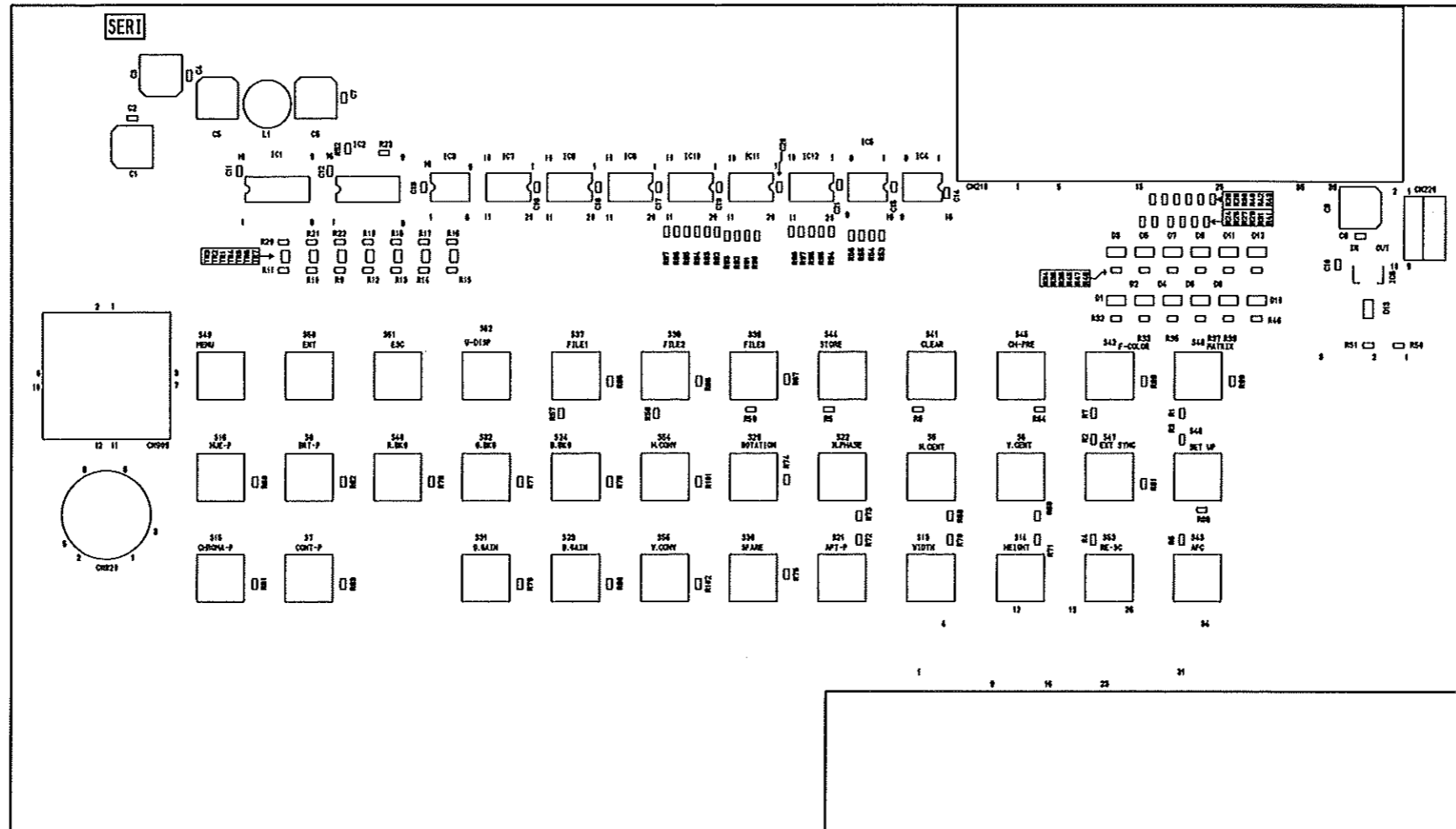
**FRONT RIGHT PANEL BOARD**  
**Schematic Diagram**  
**C4-904225-1**



TM14-80  
CONTROL&VR BOARD  
Parts Location

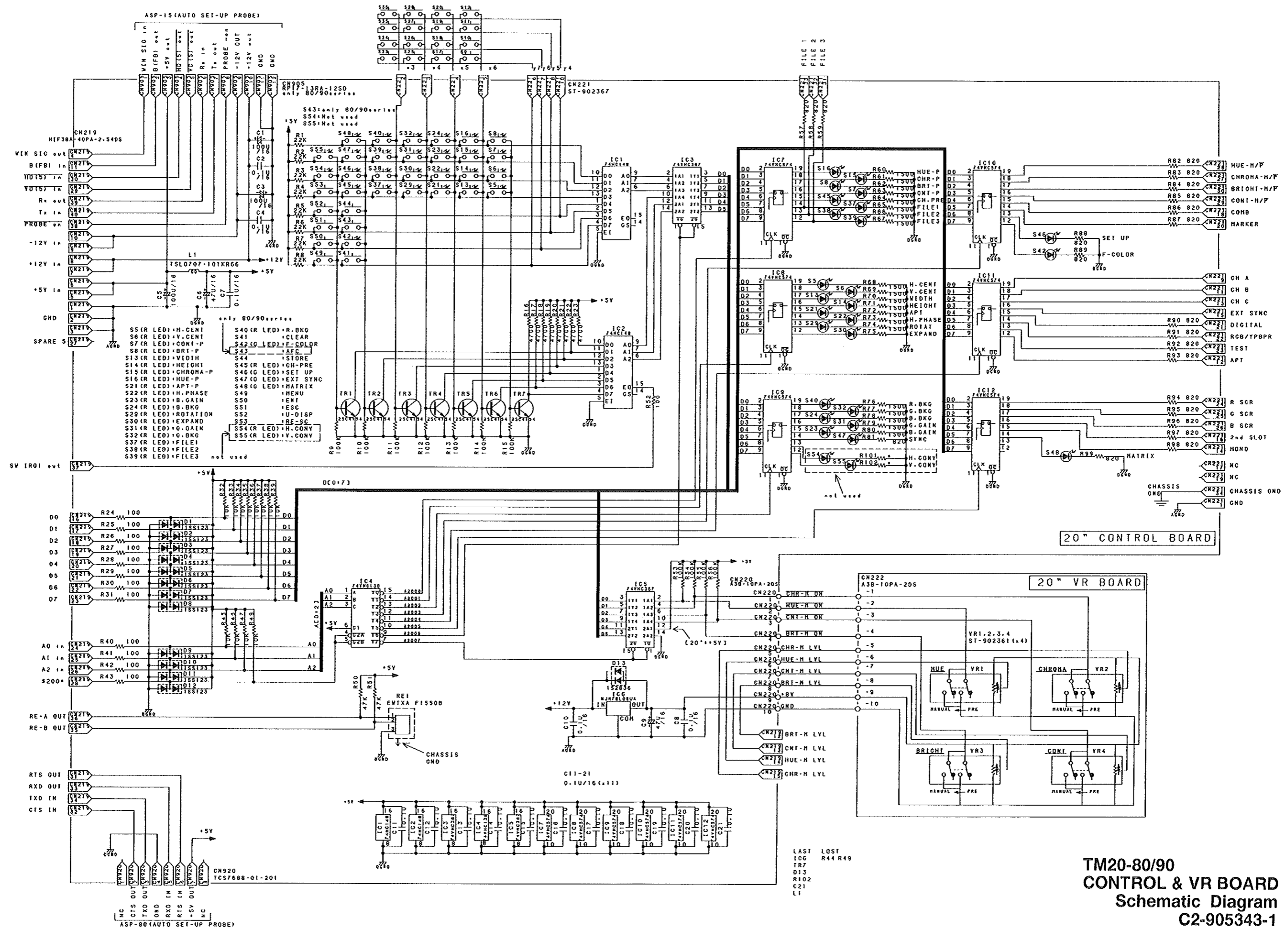


**TM14-80  
CONTROL & VR BOARD  
Schematic Diagram  
C2-905342-1**



1 2 3 4 5	<b>Ikegami</b> JAPAN 20" V R	OR21 1 2
-----------------------	------------------------------------	----------------

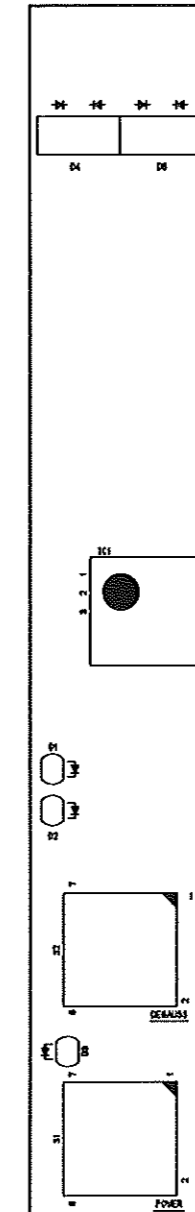
**TM20-80/90  
CONTROL & VR BOARD  
Parts Location**



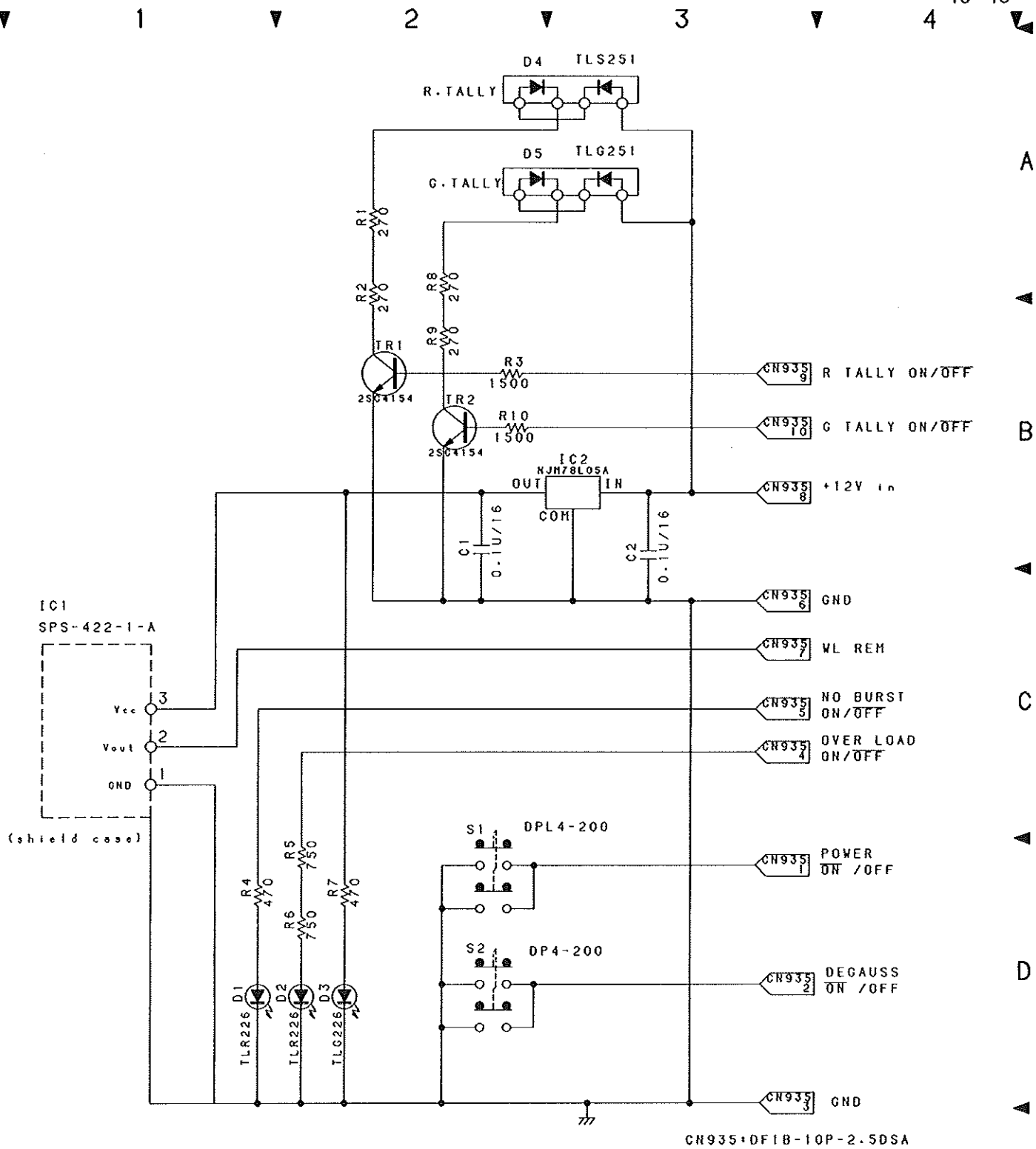
**TM20-80/90  
CONTROL & VR BOARD  
Schematic Diagram  
C2-905343-1**

A  
B  
C  
D  
E  
F  
G  
H  
A-1



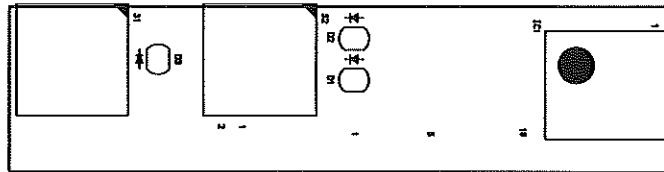


TM14-80  
FRONT LEFT BOARD  
Parts Location

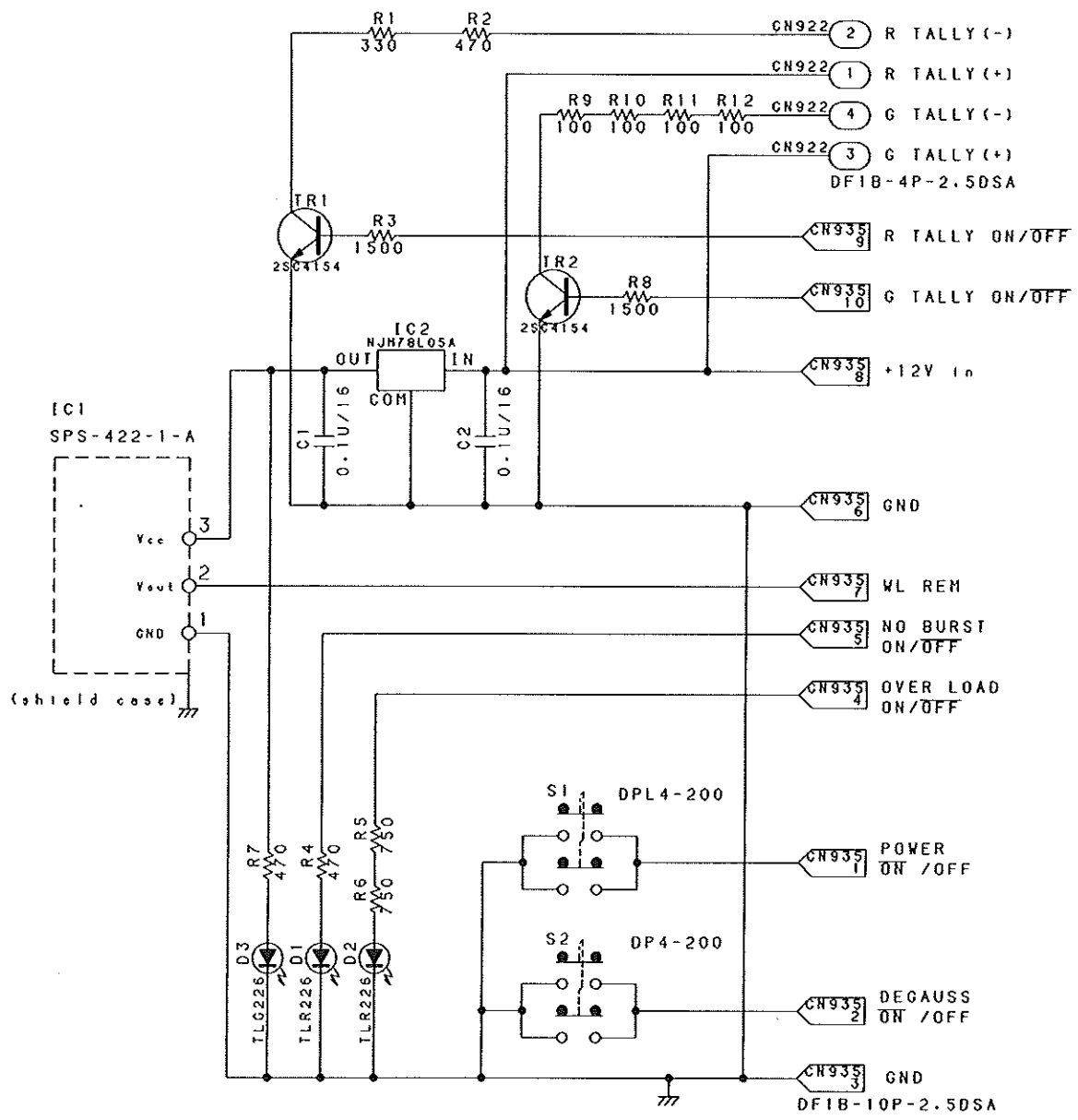


CN935:DF18-10P-2.5DSA

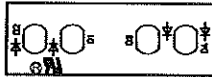
**TM14-80  
FRONT LEFT BOARD  
Schematic Diagram  
C4-905494**



**TM20-80/90  
FRONT LEFT BOARD  
Parts Location**



**TM20-80/90  
FRONT LEFT BOARD  
Schematic Diagram  
C4-905339-1**



**LED BOARD  
Parts Location**

▼ 1 ▼ 2 ▼ 3 ▼ 4

A

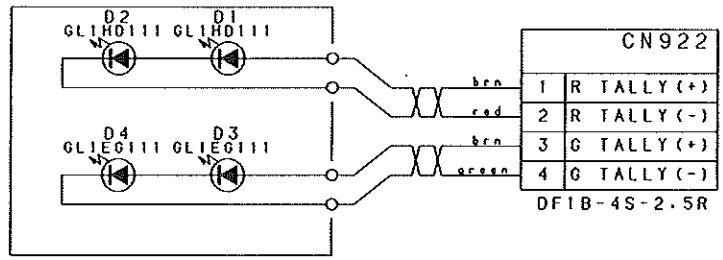
B

C

D

E

F



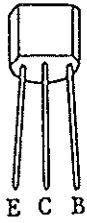
**LED BOARD (R/G)**  
**Schematic Diagram**  
**C4-905470-1**

**11. PARTS LIST****-CONTENTS-**

<b>11.1 Terminal Connection Diagram and Equivalent Circuit of Semiconductors .....</b>	<b>11-1</b>
<b>11.2 Electrical components .....</b>	<b>11-8</b>
<b>11.2.1 Manufacturer's code .....</b>	<b>11-8</b>
<b>11.2.2 How to read the parts List .....</b>	<b>11-9</b>
<b>11.2.3 Parts List .....</b>	<b>11-9</b>
<b>11.3 Mechanical Parts List/Exploded View .....</b>	<b>11-37</b>

### 11.1 Terminal Connection Diagram and Equivalent Circuit of Semiconductors

2SC1815Y



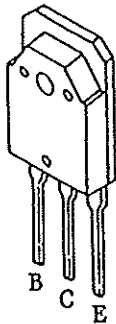
2SC4710LS  
2SB940A  
2SD1264  
2SD1407A-Y



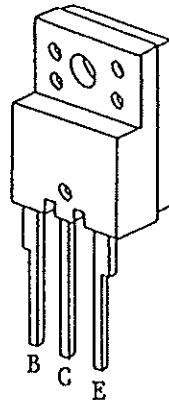
2SC3601  
2SA1407E  
2SC3595  
2SA1209  
2SC2911  
2SD1508



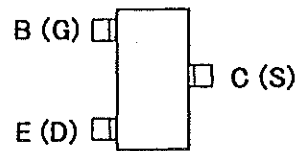
2SD1047E  
2SK1120  
2SK1465



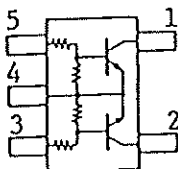
2SC4123



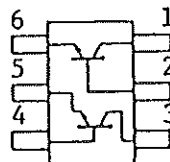
FN1A4M  
2SA812-M6,7  
2SA1461-Y24  
2SC3398  
2SC3734-B24  
2SC3735-B35



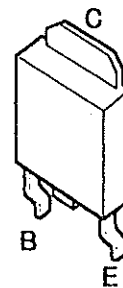
XN1212



XN6501

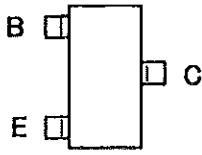


2SC3631-Z

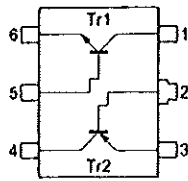




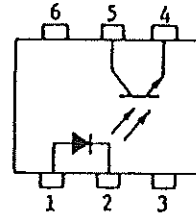
2SC4154-T11  
2SA1602



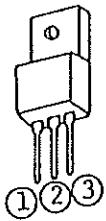
XN4601



PS265L2

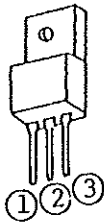


NJM7805FA  
NJM7812FA



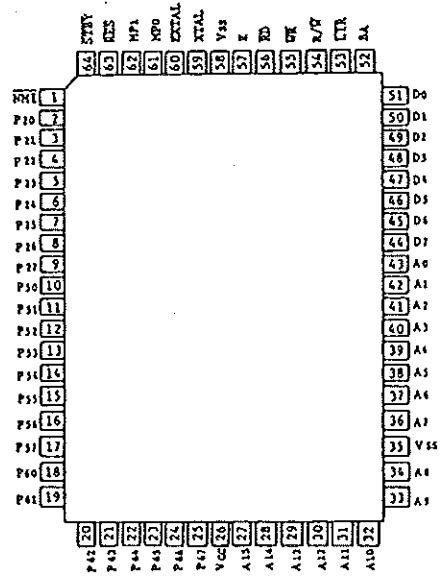
- ① Input
- ② Common
- ③ Output

NJM7912FA

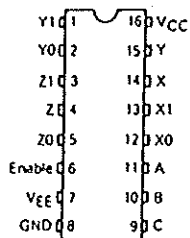


- ① Common
- ② Input
- ③ Output

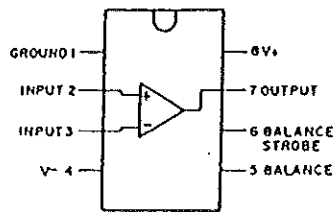
HD6303Y0F



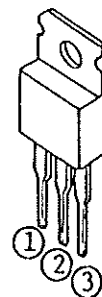
TC74HC4053AF



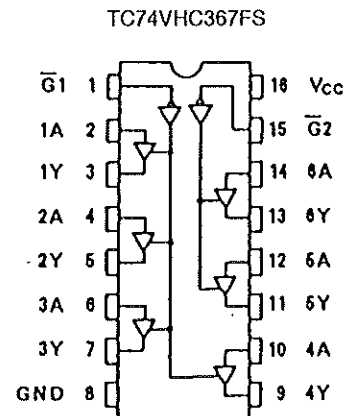
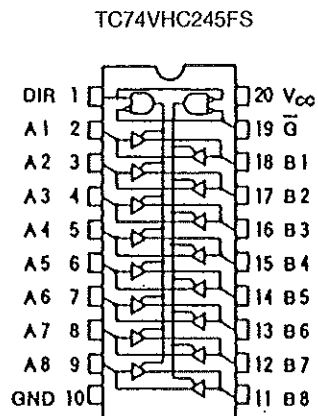
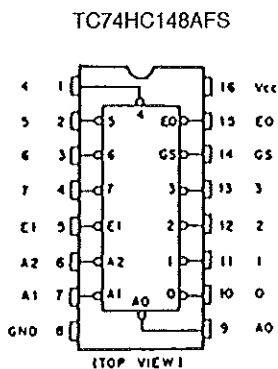
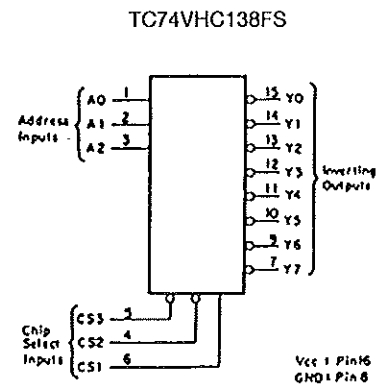
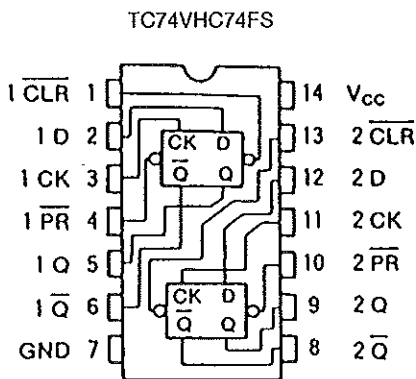
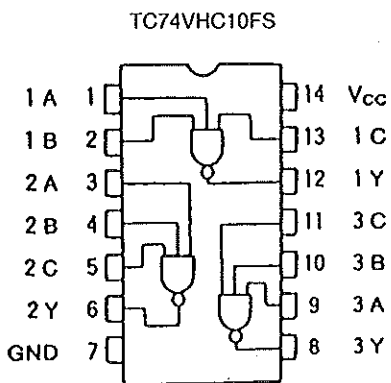
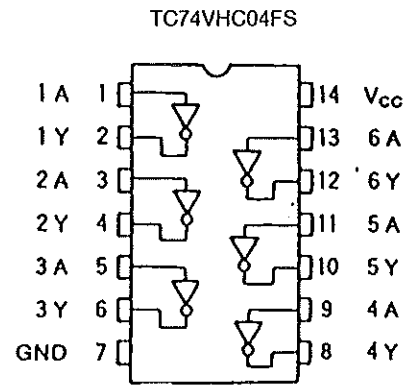
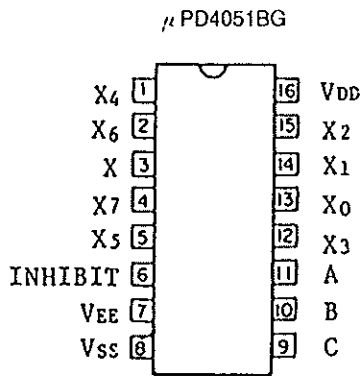
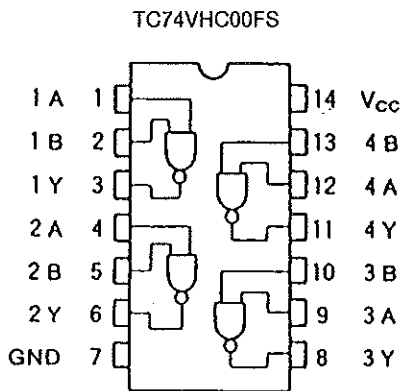
LM311PS



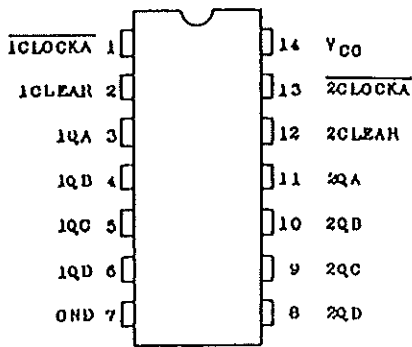
LM337T



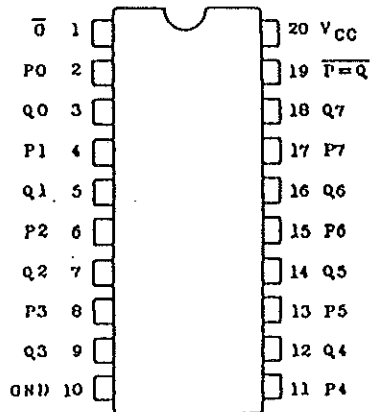
- ① ADJUSTMENT
- ② INPUT
- ③ OUTPUT



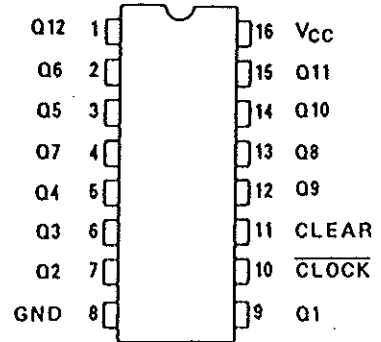
TC74VHC393FS



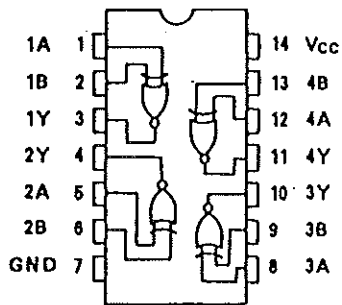
TC74HC688AF



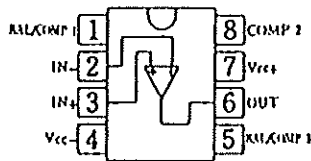
TC74HC4040AF



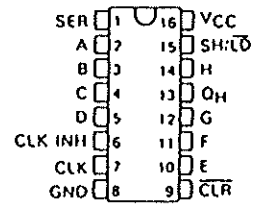
TC74HC7266AF



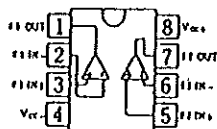
LM318PS



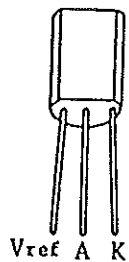
SN74HC166NS



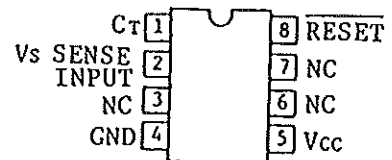
TL062CPS



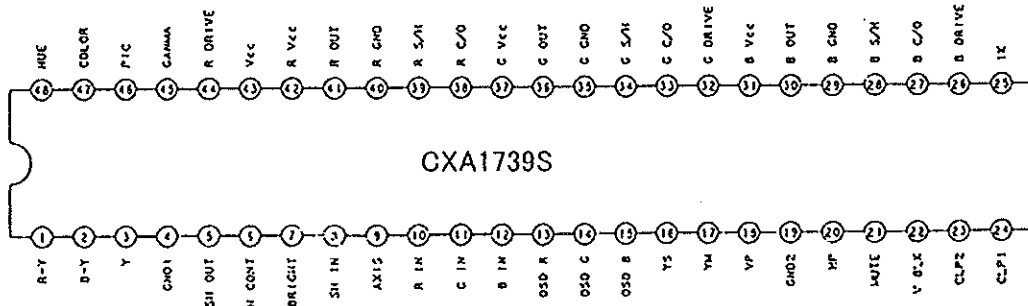
TL431CLPB



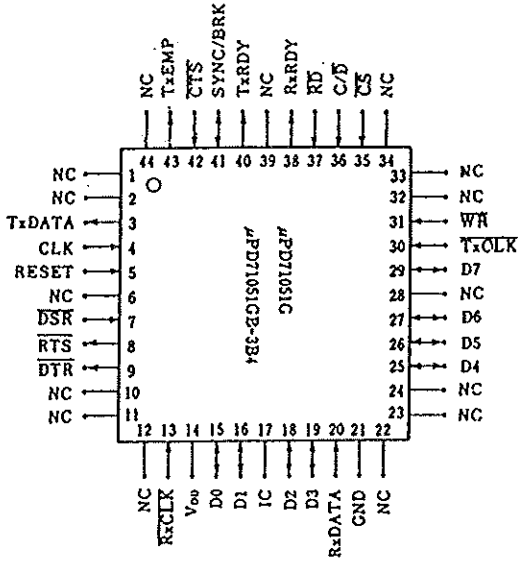
TL7700CPS



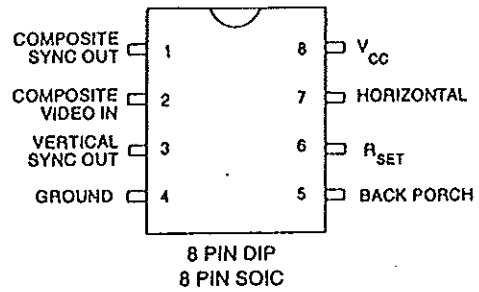
CXA1739S



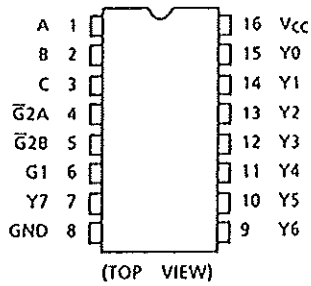
μ PD71051BG-3B4



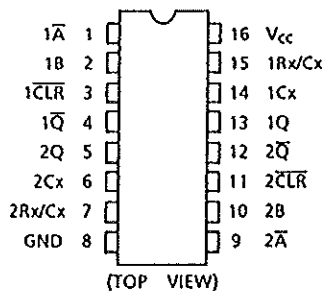
GS4981-CKA



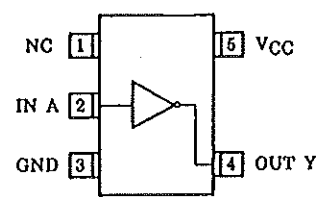
TC74HC238AF



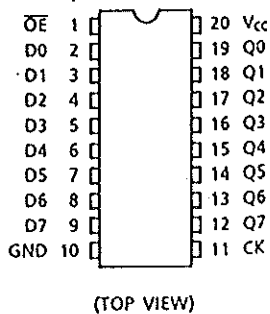
TC74VHC123AFT



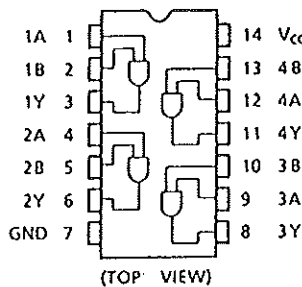
TC7SU04F  
TC7S04F



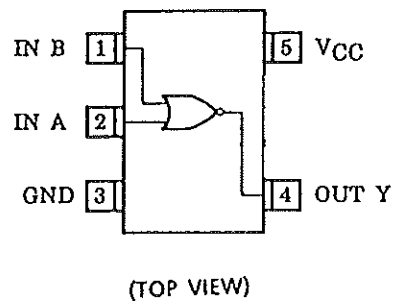
TC74VHC574FT



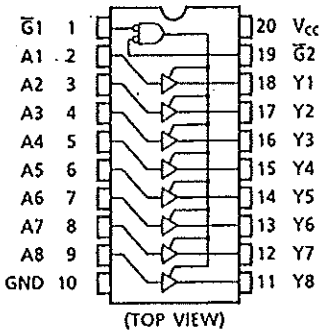
TC74VHC08FS



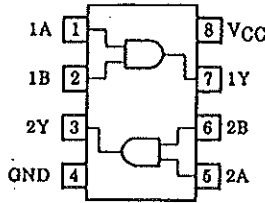
TC7S02F



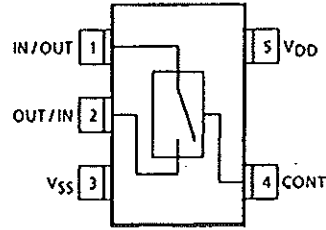
TC74VHC541FS



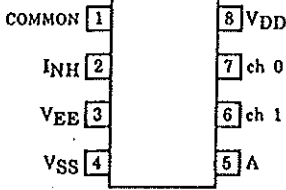
TC7W08F



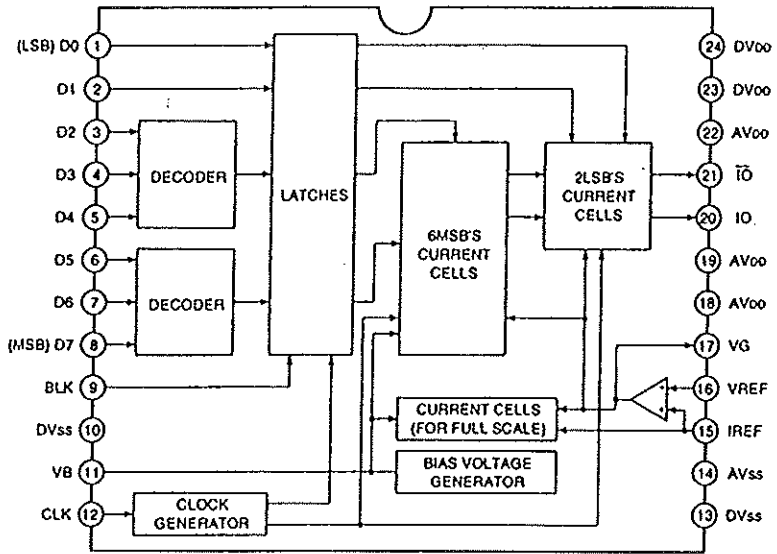
TC4S66F



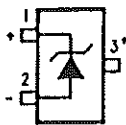
TC4W53FU



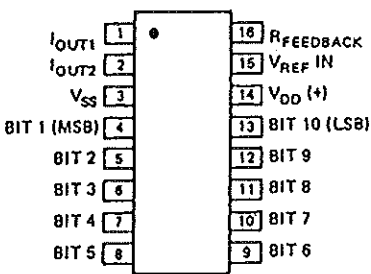
CXD1171M



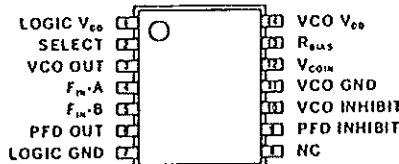
LM4040CIM3X-25



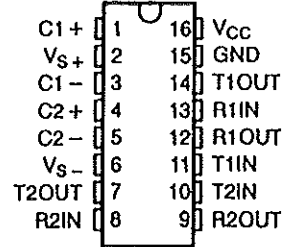
MP7633JS



TLC29321PWR



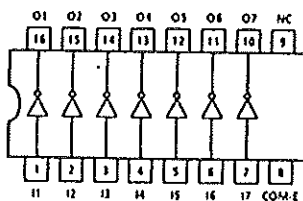
MAX232DW



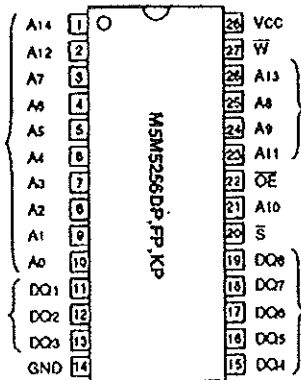
LT1085IT



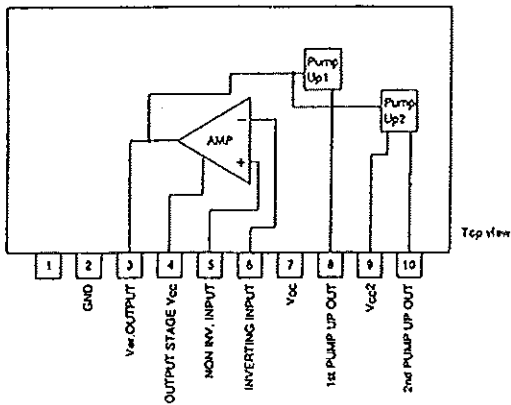
TD62504FB



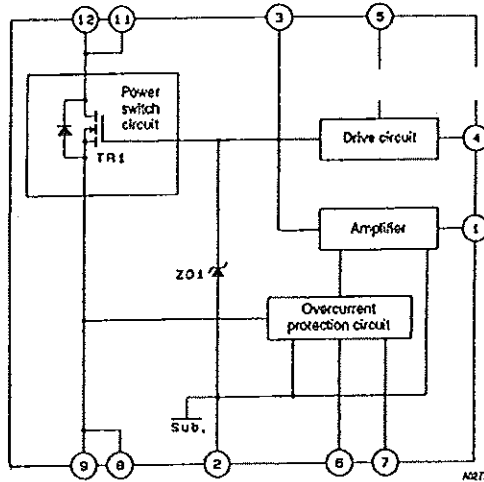
M5M5256FP-70XL



LA7876

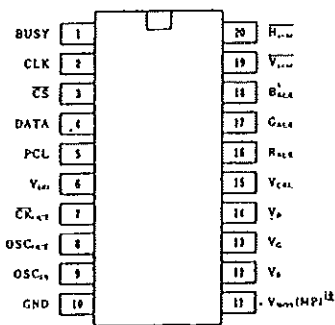


STK73908

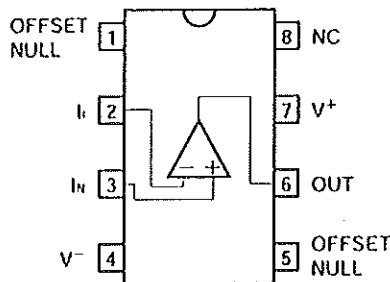


- ① Amplifier circuit control
- ② Ground
- ③ TR1 gate
- ④ Drive voltage input
- ⑤ Starting
- ⑥ OCP setting level input
- ⑦ OCP input-voltage dependency detection input
- ⑧⑨ TR1 source
- ⑪⑫ TR1 drain

μ PD6453

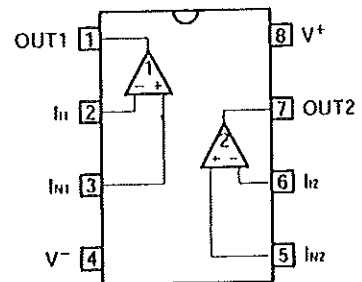


μ PC4081BG2

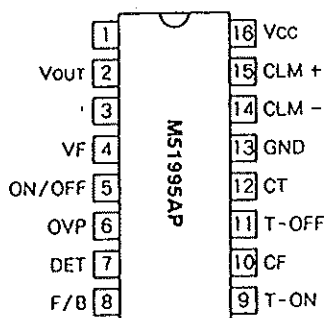


NC : No Connection

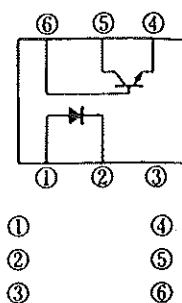
μ PC4558G2



M51995AP



PC111LS1



## 11.2 Electrical components

### 11.2.1 Manufacturer's code

AGT	AUGAT INC.	U.S.A.	MLX	Molex Incorporated	U.S.A.
ALT	Altera Corporation	U.S.A.	MMD	MORIMATSU CO.,LTD.	Japan
ALP	ALPS ELECTRIC CO.,LTD.	Japan	MMM	Sumitomo 3M.	Japan
AMP	AMP, Ltd.	Japan	MOT	Motorola Inc.	U.S.A.
AND	Analog Devices Inc.	U.S.A.	MPS	MICRO POWER SYSTEMS INC.	U.S.A.
ASA	ASAHI ELECTRONICS INC.	Japan	MUR	MURATA MFG.CO.,LTD.	Japan
BEC	Beckman Industrial	U.S.A.	NAT	JAPAN SOLDERLESS TERMINAL MFG. CO.,LTD.	Japan
COS	TOKYO COSMOS ELECTRIC CO.,LTD.	Japan	NBL	NOBLE MUSEN CO.,LTD.	Japan
CPL	COPAL ELECTRONICS CORP.	Japan	NCC	MATSUO ELECTRIC CO.,LTD.	Japan
DDK	DAI-ICHI DENSHI KOGYO K.K.	Japan	NCH	NIPPON CHEMI-CON CORPORATION	Japan
DLT	Delta Electronics	Japan	NCI	NICHICON CORPORATION	Japan
DIT	Daito Communication Apparatus Co.,Ltd.	Japan	NEC	NEC Corporation	Japan
ELC	Elco International K.K.	Japan	NHK	NIHON HODEN KENKYUSHO	Japan
EMD	EMUDEN MUSEN KOGYO CO.,LTD.	Japan	NKA	NIHON KAIHEIKI IND.CO.,LTD.	Japan
FDK	Fuji Electrochemical Co.,Ltd.	Japan	NKM	NIKKOHM CO.,LTD.	Japan
FJE	Fuji Electric Co.,Ltd.	Japan	NMO	Nihon Molex	Japan
FJS	Fujisoku Electric Co.,Ltd.	Japan	NOB	TEIKOKU TSUSHIN KOGYO CO.,LTD.	Japan
FJT	FUJITSU LIMITED	Japan	NSC	National Semiconductor Corporation	U.S.A.
FKD	FURUKAWA ELECTRIC Co., Ltd.	Japan	OEL	OSHINO ELECTRIC LAMP WORKS,LTD.	Japan
FOS	FOSTER ELECTRIC CO.,LTD.	Japan	OKA	OKAYA ELECTRIC INDUSTRIES CO.,LTD.	Japan
GNM	Gennum Corporation	U.S.A.	OMR	OMRON Corporation	Japan
HDK	HOKURIKU ELECTRIC INDUSTRY CO.,LTD.	Japan	QQQ	CHUOMUSEN CO.,LTD.	Japan
HIM	HEINEMANN ELECTRIC COMPANY	U.S.A.	RYO	Ryosan Company,Limited	Japan
HIR	HIROSE ELECTRIC CO.,LTD.	Japan	RVE	RIVER ELETEC CORP.	Japan
HIT	Hitachi,Ltd.	Japan	SAT	SATO PARTS CO.,LTD.	Japan
HOS	Hosiden Corporation	Japan	SCS	SAITO CORD MFG.CO.,LTD.	Japan
HSD	Hosiden Electronics Co.,Ltd.	Japan	SGS	SGS-THOMSON Microelectronics	France
HRA	HIRAKAWA ELECTRIC WIRE MFG.CO.,LTD.	Japan	SKK	Shin-Etsu Chemical Co., Ltd.	Japan
HRN	HARUNA DENSHI co.,Ltd.	Japan	SKN	SANKEN ELECTRIC CO.,LTD.	Japan
ICW	Cypress Semiconductor Corporation	U.S.A.	SKO	Sankosha	Japan
IKE	Ikegami Tsushinki Co.,Ltd.	Japan	SMK	SMK Corporation	Japan
ISI	Ishizuka Electronics Corporation	Japan	SON	Sony Corporation.	Japan
IWT	IWATSU ELECTRIC Co.,Ltd.	Japan	SOS	SOSHIN ELECTRIC CO.,LTD.	Japan
JAE	Japan Aviation Electronics Ind.Ltd.	Japan	SRP	Sharp Corporation	Japan
JFC	JAPAN FINE CHEMICAL CORP.	Japan	SSM	SUSUMU CO.,LTD.	Japan
JRC	New Japan Radio Co., Ltd.	Japan	SST	Silicon Storage Technology, Inc.	U.S.A.
KCK	KCK CO.,LTD.	Japan	STL	STANLEY ELECTRIC CO.,LTD.	Japan
KEL	KEL CORPORATION	Japan	SUD	SUMIDA ELECTRIC CO.,LTD.	Japan
KIN	KINSEKI,LIMITED	Japan	SUM	SUMITOMO ELECTRIC CO.,LTD.	Japan
KMY	KAMAYA Inc.	Japan	SWC	SHOWA ELECTRIC WIRE & CABLE CO.,LTD.	Japan
KND	Canare Electric Co., Ltd	Japan	SYO	SANYO Electric Co.,Ltd.	Japan
KOA	KOA Speer Electronics, Inc.	Japan	TAJ	TAJIMI ELECTRONICS CO.,LTD.	Japan
KWD	KAWASAKI ELECTRIC WIRE CO.,LTD.	Japan	TAM	TAMA ELECTRIC Co.,Ltd.	Japan
KYC	Kyocera Corporation.	Japan	TDK	TDK Corporation	Japan
LTL	LITTELFUSE	U.S.A.	TEL	Tokyo ELECTRON DEVICE Limited.	Japan
LTN	Linear Technology	U.S.A.	TEX	TEXAS INSTRUMENTS	U.S.A.
MAC	MAC EIGHT Co.,Ltd.	Japan	TIT	TAITSU CORPORATION.	Japan
MAR	MARCON ELECTRONICS CO.,LTD.	Japan	TKO	TOKO,Inc.	Japan
MAT	MATSUSHITA ELECTRONIC COMPONENTS Co., Ltd.	Japan	TOK	TOKAI COMMUNICATION INDUSTRY CO.,LTD.	Japan
MIT	MITSUBISHI ELECTRIC CORPORATION.	Japan	TOS	TOSHIBA CORPORATION.	Japan
MIZ	MIZUTANI ELECTRIC IND.CO.,LTD.	Japan	TTE	Totsu Electronics Co., Ltd.	Japan
			TYO	TAIYO TSUSHIN KOGYO K.K.	Japan
			YMI	YAMAICHI ELECTRONICS Co., Ltd.	Japan
			YTD	YAMATE ELECTRIC CO.,LTD.	Japan

11.2.2 How to read the parts List

• Parts list for TM14-80 and TM20-80/TM20-90 will follow below procedures.

Example

① MAIN BOARD MAIN BOARD				CRT SOCKET BOARD CRT SOCKET BOARD			
③ NO.	④ DESCRIPTION	⑤ MFD.	⑥ PARTS-CODE	No.	Description	MFD.	PARTS-CODE
② Variable Resistors				TRANSISTORS			
VR3	RG063UT2 200Ω	COS	10-15550-20110	TR1	2SC1514	HIT	
VR4				TR2	2SC1514	HIT	
VR5	RG063UT2 200Ω	COS	10-15550-20110				
VR6	RG063UT2 200Ω	COS	10-15550-20110				
VR7	ST-4B 1000Ω	CPL	10-16542-10200				
VR8	ST-4B 1000Ω	CPL	10-16542-10200	DIODES			
VR9	ST-4B 1000Ω	CPL	10-16542-10200	DI	DFH10G	SYO	

- ① MAIN BOARD .....Name of module
- ② Variable Resistors .....Category of parts
- ③ No.....Parts number shown on circuit diagram
- ④ DESCRIPTION .....Type designation of parts
- ⑤ MFD.....Company name (See below.)
- ⑥ PARTS-CODE.....Parts registration number

NOTICE

1. When touching the following parts, pay special attention.  
CMOS IC, delay line, X'tal oscillator, transformer.
2. Parts marked with \* are for adjustment use.
3. Parts marked with ★ have important factors against X-ray radiation.
4. All the parts may be subject to change for further improvement.

11.2.3 Parts List

CONTENTS

(1) MAIN CHASSIS .....	11-10
(2) CRT .....	11-10
(3) MOTHER BOARD .....	11-11
(4) MPU BOARD .....	11-11
(5) VIDEO PROCESS BOARD .....	11-15
(6) DECODER(N) BOARD .....	11-19
(7) RGB OUT BOARD .....	11-25
(8) CRT SOCKET BOARD .....	11-26
(9) DEF BOARD .....	11-27
(10) H.V OUT BOARD .....	11-30
(11) POWER BOARD .....	11-31
(12) FRONT RIGHT PANEL BOARD .....	11-32
(13) VR BOARD .....	11-32
(14) CONTROL BOARD .....	11-33
(15) FRONT LEFT BOARD .....	11-35
(16) LED BOARD .....	11-36
(17) ACCESSORY .....	11-36



**(1) MAIN CHASSIS**

**• MAIN CHASSIS (COMMON)**

99058-15010 PP-905801 01 0010

NO.	DESCRIPTION	MFD.PARTS-CODE
-----	-------------	----------------

<CONNECTORS>

CN220	A3B-10D-2C	HIR 10-30003-00401
CN222	A3B-10D-2C	HIR 10-30003-00401
CN902	DF1-2S-2.5R24	HIR 10-30079-00250
	DF1-2A1.33	HIR 10-30079-00290
△CN921	60-9090-302-118-006	ELC 10-30508-23021
△CN926	60-9090-304-218-006	ELC 10-30508-23043

<TEST POLES>

TB907	170043-2	AMP 10-30560-00030
-------	----------	--------------------

<OTHERS>

\* CA901  
 \* CA903  
 \* CA904  
 \* CA905  
 \* CA906  
 \* CA913

**• MAIN CHASSIS (TM14-80)**

99057-15220 PP-905722 01 0010

NO.	DESCRIPTION	MFD.PARTS-CODE
-----	-------------	----------------

<INDUCTANCE COILS>

L902	ST-901928	IKE 10-40985-19280
L903	ST-901405	IKE 10-40985-14050

<OTHERS>

CA902	ST-902394	SWC 10-66995-23940
-------	-----------	--------------------

**• MAIN CHASSIS (TM20-80)**

99057-15260 PP-905726 01 0010

NO.	DESCRIPTION	MFD.PARTS-CODE
-----	-------------	----------------

<INDUCTANCE COILS>

L902	ST-901929	IKE 10-40985-19290
L903	ST-901402B	IKE 10-40985-14022

<CONNECTORS>

CN922	60-9021-3024-10-000	ELC 10-30508-00900
CN923	60-9021-3024-10-000	ELC 10-30508-00900

<OTHERS>

CA902	ST-902382	SWC 10-66995-23820
-------	-----------	--------------------

**• MAIN CHASSIS (TM20-90)**

99057-15480 PP-905748 01 0010

NO.	DESCRIPTION	MFD.PARTS-CODE
-----	-------------	----------------

<CONNECTORS>

△CN227	60-9090-303-118-006	ELC 10-30508-23031
△CN228	60-9090-303-118-006	ELC 10-30508-23031

**(2) CRT**

**• TM14-80 CRT (JPN)**

99057-15230 PP-905723 01 0010

NO.	DESCRIPTION	MFD.PARTS-CODE
-----	-------------	----------------

<TUBES>

△★ V901	M34JFS01X/H 18	MAT 10-72110-01710
---------	----------------	--------------------

**• TM14-80 CRT (USA)**

99057-15240 PP-905724 01 0010

NO.	DESCRIPTION	MFD.PARTS-CODE
-----	-------------	----------------

<TUBES>

△★ V901	M34JFS01X/C 18	MAT 10-72110-01810
---------	----------------	--------------------

**• TM14-80 CRT (EUR)**

99057-15250 PP-905725 01 0010

NO.	DESCRIPTION	MFD.PARTS-CODE
-----	-------------	----------------

<TUBES>

△★ V901	M34JFS01X/E 18	MAT 10-72110-01910
---------	----------------	--------------------

**• TM20-80 CRT (JPN)**

99057-15270 PP-905727 01 0010

NO.	DESCRIPTION	MFD.PARTS-CODE
-----	-------------	----------------

<TUBES>

△★ V901	M48JBY02X/H 28	MAT 10-72110-02010
---------	----------------	--------------------

**• TM20-80 CRT (USA)**

99057-15280 PP-905728 01 0010

NO.	DESCRIPTION	MFD.PARTS-CODE
-----	-------------	----------------

<TUBES>

△★ V901	M48JBY02X/C 28	MAT 10-72110-02110
---------	----------------	--------------------

**• TM20-80 CRT (EUR)**

99057-15290 PP-905729 01 0010

NO.	DESCRIPTION	MFD.PARTS-CODE
-----	-------------	----------------

<TUBES>

△★ V901	M48JBY02X/E 28	MAT 10-72110-02240
---------	----------------	--------------------

**• TM20-90 CRT (JPN)**

99057-15300 PP-905730 01 0010

NO.	DESCRIPTION	MFD.PARTS-CODE
-----	-------------	----------------

<TUBES>

△★ V901	M48KTU102X/H10	MAT 10-72110-03300
---------	----------------	--------------------

**• TM20-90 CRT (USA)**

99057-15310 PP-905731 01 0010

NO.	DESCRIPTION	MFD.PARTS-CODE
-----	-------------	----------------

<TUBES>

△★ V901	M48KTU102X/C10	MAT 10-72110-03320
---------	----------------	--------------------

**• TM20-90 CRT (EUR)**

99057-15320 PP-905732 01 0010

NO.	DESCRIPTION	MFD.PARTS-CODE
-----	-------------	----------------

<TUBES>

△★ V901	M48KTU102X/E10	MAT 10-72110-03310
---------	----------------	--------------------

## (3) MOTHER BOARD

## • MOTHER BOARD

99057-15330 PP-905733 01 0010

NO. DESCRIPTION MFD.PARTS-CODE

## &lt; INTEGRATED CIRCUITS &gt;

IC 1 LT1085IT LTN 10-01334-00010  
 TC-45C SKK 10-75000-03190  
 IC 2 LT1085IT LTN 10-01334-00010  
 TC-45C SKK 10-75000-03190  
 IC 3 LM337T NSC 10-01332-00650  
 TC-45C SKK 10-75000-03190  
 IC 4 LT1085IT LTN 10-01334-00010  
 TC-45C SKK 10-75000-03190

## &lt; DIODES &gt;

D 1 V06C HIT 10-03631-00200  
 D 2 V06C HIT 10-03631-00200  
 D 3 V06C HIT 10-03631-00200  
 D 4 V06C HIT 10-03631-00200  
 D 5 V06C HIT 10-03631-00200  
 D 6 V06C HIT 10-03631-00200  
 D 7 V06C HIT 10-03631-00200  
 D 8 V06C HIT 10-03631-00200

## &lt; RESISTORS &gt;

R 1 LF 1/8 120ΩF-TP TEC 10-10220-12101  
 R 2 LF 1/8 910ΩF-TP TEC 10-10220-91101  
 R 3 LF 1/8 120ΩF-TP TEC 10-10220-12101  
 R 4 LF 1/8 270ΩF-TP TEC 10-10220-27101  
 R 5 LF 1/8 120ΩF-TP TEC 10-10220-12101  
 R 6 LF 1/8 910ΩF-TP TEC 10-10220-91101  
 R 7 LF 1/8 120ΩF-TP TEC 10-10220-12101  
 R 8 LF 1/8 910ΩF-TP TEC 10-10220-91101

VR 1 RG063UT2 200Ω COS 10-15550-20110  
 VR 2 RG063UT2 200Ω COS 10-15550-20110  
 VR 3 RG063UT2 200Ω COS 10-15550-20110  
 VR 4 RG063UT2 200Ω COS 10-15550-20110

## &lt; CAPACITORS &gt;

C 1 ECEA 1EKA100 B MAT 10-20128-10616  
 C 2 ECEA 1EKA100 B MAT 10-20128-10616  
 C 3 ECEA 1CKA101 B MAT 10-20128-10716  
 C 4 ECEA 1EKA100 B MAT 10-20128-10616  
 C 5 ECEA 1EKA100 B MAT 10-20128-10616  
 C 6 ECEA 1CKA101 B MAT 10-20128-10716  
 C 7 ECEA 1EKA100 B MAT 10-20128-10616  
 C 8 ECEA 1EKA100 B MAT 10-20128-10616  
 C 9 ECEA 1CKA101 B MAT 10-20128-10716  
 C 10 ECEA 1EKA100 B MAT 10-20128-10616  
 C 11 ECEA 1EKA100 B MAT 10-20128-10616  
 C 12 ECEA 1CKA101 B MAT 10-20128-10716

## &lt; CONNECTORS &gt;

CN 1 PCN13-50S-2.54DSA HIR 10-30333-00021  
 CN 2 PCN13-64S-2.54DSA HIR 10-30333-00022  
 CN 3 PCN13-50S-2.54DSA HIR 10-30333-00021  
 CN 4 PCN13-50S-2.54DSA HIR 10-30333-00021  
 CN 5 PCN13-64S-2.54DSA HIR 10-30333-00022  
 CN 6 PCN13-50S-2.54DSA HIR 10-30333-00021  
 CN 7 PCN13-64S-2.54DSA HIR 10-30333-00022  
 CN 8 PCN13-64S-2.54DSA HIR 10-30333-00022  
 CN 9 PCN13-64S-2.54DSA HIR 10-30333-00022  
 CN209 HIF3F-40PA-2.54DSA HIR 10-30164-00010  
 CN211 DF1B-20DP-2.5DSA HIR 10-30079-12000  
 CN212 DF1B-16DP-2.5DSA HIR 10-30079-11600

## &lt; TEST POLES &gt;

TP 1 ST-2-1 MAC10-51544-00400  
 TP 2 ST-2-1 MAC10-51544-00400  
 TP 3 ST-2-1 MAC10-51544-00400  
 TP 4 ST-2-1 MAC10-51544-00400  
 TP 5 ST-2-1 MAC10-51544-00400

## (4) MPU BOARD

## • MPU BOARD (COMMON)

99057-15340 PP-905734 01 0010

NO. DESCRIPTION MFD.PARTS-CODE

## &lt; INTEGRATED CIRCUITS &gt;

IC 1 LM311PS TEX 10-04332-00100  
 IC 2 TC74VHC123AFT TOS 10-04572-00046  
 IC 3 TC74HC266AF TOS 10-04572-10850  
 IC 4 TC74VHC00FT TOS 10-04572-00032  
 IC 5 HD6303YOF HIT 10-04214-00702  
 IC 6 TL7700CPS TEX 10-04574-01900  
 IC 7 M27C512-12F1 SGS 10-01357-00012  
 IC26-2806-GS4 YMI 10-54013-26280  
 IC 8 TC74VHC541FT TOS 10-04572-00030  
 IC 9 TC74VHC541FT TOS 10-04572-00030  
 IC 10 TC7S02F TOS 10-04572-08020  
 IC 11 MSM5256DFP-70XL MIT 10-04360-00010  
 IC 12 LM311PS TEX 10-04332-00100  
 IC 13 TC74VHCT138FS TOS 10-04572-13455  
 IC 14 TC74VHC00FT TOS 10-04572-00032  
 IC 15 TC74VHCT138FS TOS 10-04572-13455  
 IC 16 TC74VHCT138FS TOS 10-04572-13455  
 IC 17 TC74VHCT138FS TOS 10-04572-13455  
 IC 18 UPD71051G-3B4 NEC 10-04784-10510  
 IC 19 MAX232DW TEX 10-04377-00014  
 IC 20 TC7SU04F TOS 10-04572-08040  
 IC 21 TC74VHC393FS TOS 10-04572-13721  
 IC 22 TC74VHC541FT TOS 10-04572-00030  
 IC 23 TC74VHC245FT TOS 10-04572-00041  
 IC 24 TC74VHC574FT TOS 10-04572-00035  
 IC 25 UPD6453GT-101 NEC 10-04784-11400  
 IC 26 TC74VHC08FT TOS 10-04572-00026  
 IC 27 TC74VHC04FT TOS 10-04572-00056  
 IC 28 TC74HC4053AFT TOS 10-04572-00038  
 IC 29 TC74HC4053AFT TOS 10-04572-00038  
 IC 30 TC74VHC541FT TOS 10-04572-00030  
 IC 31 TC74VHC541FT TOS 10-04572-00030  
 IC 32 TC74VHC541FT TOS 10-04572-00030  
 IC 33 TC74VHC541FT TOS 10-04572-00030  
 IC 34 TC74VHC541FT TOS 10-04572-00030  
 IC 35 TC74VHC574FT TOS 10-04572-00035  
 IC 36 TC74VHC574FT TOS 10-04572-00035  
 IC 37 TC74VHC574FT TOS 10-04572-00035  
 IC 38 MP7633JS MPS 10-04376-00010  
 IC 39 TL062CPS TEX 10-04574-00200  
 IC 40 LM4040CIM3X-2.5 NSC 10-04332-04041  
 IC 41 UPD4051BG NEC 10-04784-02800  
 IC 42 UPD4051BG NEC 10-04784-02800  
 IC 43 TL062CPS TEX 10-04574-00200  
 IC 44 TL062CPS TEX 10-04574-00200  
 IC 45 TL062CPS TEX 10-04574-00200  
 IC 46 TL062CPS TEX 10-04574-00200  
 IC 47 TL062CPS TEX 10-04574-00200  
 IC 48 TL062CPS TEX 10-04574-00200  
 IC 49 UPD4053BG NEC 10-04784-03000  
 IC 50 TC4W53FU TOS 10-04572-09531  
 IC 51 UPD4051BG NEC 10-04784-02800  
 IC 52 TL062CPS TEX 10-04574-00200  
 IC 53 TC74HC4053AFT TOS 10-04572-00038  
 IC 54 TC74VHC123AFT TOS 10-04572-00046  
 IC 55 TC74VHC00FT TOS 10-04572-00032  
 IC 56 TLC2932IPWR TEX 10-04575-00010  
 IC 57 TC74VHC00FT TOS 10-04572-00032  
 IC 58 TC74VHC74FT TOS 10-04572-00101  
 IC 59 TC74VHC00FT TOS 10-04572-00032  
 IC 60 TC74VHC00FT TOS 10-04572-00032  
 IC 61 TC7SU04F TOS 10-04572-08040  
 \* IC 62  
 IC 63 TC74VHC574FT TOS 10-04572-00035  
 IC 64 EPM7128STC100-15 ALT 10-04122-00027  
 IC 65 EPM7128STC100-15 ALT 10-04122-00027  
 IC 66 TC74VHC574FT TOS 10-04572-00035  
 IC 67 TC74VHC574FT TOS 10-04572-00035  
 IC 68 TC74VHC574FT TOS 10-04572-00035  
 IC 69 TC74VHC574FT TOS 10-04572-00035  
 IC 70 TC74HC688AF TOS 10-04572-11450  
 IC 71 TC74HC688AF TOS 10-04572-11450  
 IC 72 TC74VHC74FT TOS 10-04572-00101  
 IC 73 TC74VHC00FT TOS 10-04572-00032  
 IC 74 SST28SF040-120-4C-NH SCT 10-04560-00011

99057-15340 PP-905734 02 0010

NO. DESCRIPTION MFD.PARTS-CODE

## &lt; INTEGRATED CIRCUITS &gt;

IC 75 SST28SF040-120-4C-NH SCT 10-04560-00011  
 IC160-0324-100 YMI 10-39540-00011  
 IC160-0324-100 YMI 10-39540-00011  
 IC 76 SN74HC166NS TEX 10-04548-25540  
 IC 77 TC74VHC00FT TOS 10-04572-00032  
 IC 78 CXD1171M SON 10-04070-01150  
 IC 79 LM4040CIM3X-2.5 NSC 10-04332-04041  
 IC 80 UPD4053BG NEC 10-04784-03000  
 IC 81 TC74VHC00FT TOS 10-04572-00032  
 IC 82 TC74VHC00FT TOS 10-04572-00032  
 IC 83 TC74HC4040AF TOS 10-04572-11600  
 IC 84 TC74VHC123AFT TOS 10-04572-00046  
 IC 85 TC74VHC123AFT TOS 10-04572-00046  
 IC 86 TC74VHC123AFT TOS 10-04572-00046  
 IC 87 TC74VHC123AFT TOS 10-04572-00046  
 IC 88 TC74VHC541FT TOS 10-04572-00030  
 IC 89 TC74VHC10FT TOS 10-04572-00054  
 IC 90 TC74VHC10FT TOS 10-04572-00054  
 IC 91 TC74HC4040AF TOS 10-04572-11600  
 IC 92 TC74VHC123AFT TOS 10-04572-00046  
 IC 93 TC74VHC123AFT TOS 10-04572-00046  
 IC 94 TC74VHC123AFT TOS 10-04572-00046  
 IC 95 TC74VHC541FT TOS 10-04572-00030  
 IC 96 TC74VHC00FT TOS 10-04572-00032  
 IC 97 TC74VHCT138FS TOS 10-04572-13455

## &lt; TRANSISTORS &gt;

TR 1 2SC4154 T11 MIT 10-05824-03210  
 TR 2 2SC3735-B35 NEC 10-05824-02840  
 TR 3 2SA1602 T-11-1F MIT 10-05822-13020  
 TR 4 2SA1602 T-11-1F MIT 10-05822-13020  
 TR 5 2SA1602 T-11-1F MIT 10-05822-13020  
 TR 7 XN1212-TX MAT 10-05691-01210  
 TR 8 XN1212-TX MAT 10-05691-01210  
 TR 9 XN1212-TX MAT 10-05691-01210  
 TR 10 XN1212-TX MAT 10-05691-01210  
 TR 11 XN1212-TX MAT 10-05691-01210  
 TR 12 XN1212-TX MAT 10-05691-01210  
 TR 13 XN1212-TX MAT 10-05691-01210  
 TR 14 XN1212-TX MAT 10-05691-01210  
 TR 15 XN1212-TX MAT 10-05691-01210  
 TR 16 2SC3735-B35 NEC 10-05824-02840  
 TR 17 XN6501-TX MAT 10-05691-06500  
 TR 18 2SC3734-B24 NEC 10-05824-02830  
 TR 19 2SC3398 SYO 10-05824-02400  
 TR 20 2SC3735-B35 NEC 10-05824-02840  
 TR 21 2SA1461-Y24 NEC 10-05822-11100  
 TR 22 2SC3734-B24 NEC 10-05824-02830  
 TR 23 FNI4AM NEC 10-05151-01000  
 TR 24 2SC3734-B24 NEC 10-05824-02830  
 TR 25 XN6501-TX MAT 10-05691-06500  
 TR 26 2SC3734-B24 NEC 10-05824-02830  
 TR 27 2SC3734-B24 NEC 10-05824-02830  
 TR 28 2SC3398 SYO 10-05824-02400  
 TR 29 XN6501-TX MAT 10-05691-06500  
 TR 30 2SC3398 SYO 10-05824-02400  
 TR 31 2SA1461-Y24 NEC 10-05822-11100  
 TR 32 2SC3735-B35 NEC 10-05824-02840

## &lt; DIODES &gt;

D 1 1S2836-A4 NEC 10-06812-03400  
 D 2 1SS123-A7 NEC 10-06813-00600  
 D 3 1SS123-A7 NEC 10-06813-00600  
 D 4 1SS123-A7 NEC 10-06813-00600  
 D 5 1SS123-A7 NEC 10-06813-00600  
 D 6 1SS123-A7 NEC 10-06813-00600  
 D 7 1SS123-A7 NEC 10-06813-00600  
 D 8 1SS123-A7 NEC 10-06813-00600  
 D 9 1SS154-BA TOS 10-06813-00700  
 D 10 1SS154-BA TOS 10-06813-00700  
 D 11 1SS154-BA TOS 10-06813-00700  
 D 12 1SS123-A7 NEC 10-06813-00600  
 D 13 1SS123-A7 NEC 10-06813-00600  
 D 14 1SS123-A7 NEC 10-06813-00600  
 D 15 1SS123-A7 NEC 10-06813-00600



99057-15340 PP-905734 06 0010			99057-15340 PP-905734 07 0010			99057-15340 PP-905734 08 0010		
NO.	DESCRIPTION	MFD.PARTS-CODE	NO.	DESCRIPTION	MFD.PARTS-CODE	NO.	DESCRIPTION	MFD.PARTS-CODE
R210	RGC 1/16C 152D TP	KMY10-16512-15281	R286	RMC 1/16 220KΩF	KMY10-16513-22491	C 18	GRM39 B 104K 16PT	MUR 10-26184-10416
* R211			R287	RMC 1/16 220KΩF	KMY10-16513-22491	C 19	GRM39 B 104K 16PT	MUR 10-26184-10416
R212	RGC 1/16C 101D TP	KMY10-16512-10181	R288	RMC 1/16 220KΩF	KMY10-16513-22491	C 20	GRM39 B 104K 16PT	MUR 10-26184-10416
R213	RGC 1/16C 104D TP	KMY10-16512-10481	R289	RMC 1/16 220KΩF	KMY10-16513-22491	C 21	GRM39 B 104K 16PT	MUR 10-26184-10416
R214	RMC 1/16 1MΩF	KMY10-16513-10591	R290	RMC 1/16 220KΩF	KMY10-16513-22491	C 22	GRM39 B 104K 16PT	MUR 10-26184-10416
* R215			R291	RMC 1/16 220KΩF	KMY10-16513-22491	C 23	GRM39 B 104K 16PT	MUR 10-26184-10416
R216	RGC 1/16C 103D TP	KMY10-16512-10381	R292	RMC 1/16 220KΩF	KMY10-16513-22491	C 24	GRM39 B 104K 16PT	MUR 10-26184-10416
R217	RGC 1/16C 103D TP	KMY10-16512-10381	R293	RMC 1/16 220KΩF	KMY10-16513-22491	C 25	GRM39 B 104K 16PT	MUR 10-26184-10416
R218	RGC 1/16C 103D TP	KMY10-16512-10381	R294	RMC 1/16 220KΩF	KMY10-16513-22491	C 26	GRM39 B 104K 16PT	MUR 10-26184-10416
R219	RGC 1/16C 103D TP	KMY10-16512-10381	R295	RMC 1/16 220KΩF	KMY10-16513-22491	C 27	GRM39 B 104K 16PT	MUR 10-26184-10416
R220	RGC 1/16C 101D TP	KMY10-16512-10181	R296	RMC 1/16 220KΩF	KMY10-16513-22491	C 28	GRM39 B 104K 16PT	MUR 10-26184-10416
R221	RGC 1/16C 101D TP	KMY10-16512-10181	R297	RMC 1/16 220KΩF	KMY10-16513-22491	C 29	GRM39 B 103K 50PT	MUR 10-26186-10350
* R222			R298	RGC 1/16C 103D TP	KMY10-16512-10381	C 30	GRM39 B 104K 16PT	MUR 10-26184-10416
R223	RGC 1/16C 362D TP	KMY10-16512-36281	R299	RGC 1/16C 101D TP	KMY10-16512-10181	C 31	GRM39 B 104K 16PT	MUR 10-26184-10416
R224	RGC 1/16C 472D TP	KMY10-16512-47281	R300	RGC 1/16C 104D TP	KMY10-16512-10481	C 32	GRM39 B 104K 16PT	MUR 10-26184-10416
R225	RGC 1/16C 472D TP	KMY10-16512-47281	R301	RGC 1/16C 104D TP	KMY10-16512-10481	C 33	GRM39 B 104K 16PT	MUR 10-26184-10416
R226	RGC 1/16C 513D TP	KMY10-16512-10281	R302	RGC 1/16C 101D TP	KMY10-16512-10181	C 34	GRM39 B 104K 16PT	MUR 10-26184-10416
R227	RGC 1/16C 102D TP	KMY10-16512-10281	R303	RGC 1/16C 101D TP	KMY10-16512-10181	C 35	GRM39 B 104K 16PT	MUR 10-26184-10416
R228	RGC 1/16C 101D TP	KMY10-16512-10181	R304	RGC 1/16C 101D TP	KMY10-16512-10181	C 36	GRM39 B 104K 16PT	MUR 10-26184-10416
R229	RGC 1/16C 473D TP	KMY10-16512-47381	R305	RGC 1/16C 101D TP	KMY10-16512-10181	C 37	GRM39 B 104K 16PT	MUR 10-26184-10416
R230	RGC 1/16C 513D TP	KMY10-16512-51381	R306	RGC 1/16C 104D TP	KMY10-16512-10481	C 38	THR 0J 106K15	NEC 10-21092-10606
R231	RGC 1/16C 472D TP	KMY10-16512-47281	R307	RGC 1/16C 104D TP	KMY10-16512-10481	C 39	GRM39 B 104K 16PT	MUR 10-26184-10416
R232	RGC 1/16C 103D TP	KMY10-16512-10381	R308	RGC 1/16C 104D TP	KMY10-16512-10481	C 40	CM21CH 150J 50VA TEI	KYC 10-26061-15025
R233	RMC 1/16 JP	KMY10-16513-00000	R309	RGC 1/16C 103D TP	KMY10-16512-10381			
R234	RGC 1/16C 101D TP	KMY10-16512-10181	R310	RGC 1/16C 682D TP	KMY10-16512-68281	C 41	CM21CH 150J 50VA TEI	KYC 10-26061-15025
R235	RGC 1/16C 103D TP	KMY10-16512-10381	R311	RGC 1/16C 153D TP	KMY10-16512-15381	C 42	MVJ 16VC 10 D60	NCH 10-26368-10616
R236	RGC 1/16C 101D TP	KMY10-16512-10181	R312	RGC 1/16C 153D TP	KMY10-16512-15381	C 43	MVJ 16VC 10 D60	NCH 10-26368-10616
R237	RGC 1/16C 472D TP	KMY10-16512-47281	R313	RGC 1/16C 153D TP	KMY10-16512-15381	C 44	MVJ 16VC 10 D60	NCH 10-26368-10616
R238	RMC 1/16 150KΩF	KMY10-16513-15491	R314	RGC 1/16C 103D TP	KMY10-16512-10381	C 45	MVJ 16VC 10 D60	NCH 10-26368-10616
R239	RGC 1/16C 103D TP	KMY10-16512-10381	R315	RGC 1/16C 104D TP	KMY10-16512-10481	C 46	GRM39 B 104K 16PT	MUR 10-26184-10416
R240	RGC 1/16C 104D TP	KMY10-16512-10481	R316	RGC 1/16C 104D TP	KMY10-16512-10481	C 47	MVJ 16VC 10 D60	NCH 10-26368-10616
R241	RGC 1/16C 101D TP	KMY10-16512-10181	R317	RGC 1/16C 104D TP	KMY10-16512-10481	C 48	CM21CH 1R5C 50VA TE0	KYC 10-26061-01525
R242	RGC 1/16C 101D TP	KMY10-16512-10181	R318	RMC 1/16 JP	KMY10-16513-00000			
R243	RGC 1/16C 101D TP	KMY10-16512-10181	R319	RGC 1/16C 103D TP	KMY10-16512-10381	C 49	CM21CH 1R5C 50VA TE0	KYC 10-26061-01525
R244	RGC 1/16C 101D TP	KMY10-16512-10181	R320	RGC 1/16C 683D TP	KMY10-16512-68381			
R245	RGC 1/16C 101D TP	KMY10-16512-10181	R321	RMC 1/16 JP	KMY10-16513-00000	C 50	GRM39 B 104K 16PT	MUR 10-26184-10416
R246	RGC 1/16C 101D TP	KMY10-16512-10181	* R322			* C 51		
R247	RGC 1/16C 101D TP	KMY10-16512-10181	R323	RMC 1/16 JP	KMY10-16513-00000	C 52	GRM39 B 104K 16PT	MUR 10-26184-10416
R248	RGC 1/16C 101D TP	KMY10-16512-10181	* R324			C 53	GRM39 B 103K 50PT	MUR 10-26186-10350
R249	RGC 1/16C 101D TP	KMY10-16512-10181	R325	RMC 1/16 JP	KMY10-16513-00000	C 54	GRM39 B 103K 50PT	MUR 10-26186-10350
R250	RGC 1/16C 101D TP	KMY10-16512-10181	* R326			C 55	GRM39 B 103K 50PT	MUR 10-26186-10350
R251	RGC 1/16C 101D TP	KMY10-16512-10181	R327	RMC 1/16 JP	KMY10-16513-00000	C 56	GRM39 B 103K 50PT	MUR 10-26186-10350
R252	RGC 1/16C 103D TP	KMY10-16512-10381	* R328			C 57	GRM39 B 103K 50PT	MUR 10-26186-10350
R253	RGC 1/16C 332D TP	KMY10-16512-33281				C 58	GRM39 B 103K 50PT	MUR 10-26186-10350
R254	RGC 1/16C 102D TP	KMY10-16512-10281	VR 1	ST-4B 2000Ω	CPL 10-16542-20200	C 59	GRM39 B 103K 50PT	MUR 10-26186-10350
R255	RGC 1/16C 393D TP	KMY10-16512-39381	VR 2	ST-4B 1000Ω	CPL 10-16542-10200	C 60	GRM39 B 103K 50PT	MUR 10-26186-10350
R256	RGC 1/16C 472D TP	KMY10-16512-47281	VR 3	ST-4B 1000Ω	CPL 10-16542-10200	C 61	GRM39 B 103K 50PT	MUR 10-26186-10350
R257	RGC 1/16C 101D TP	KMY10-16512-10181	VR 4	ST-4B 1000Ω	CPL 10-16542-10200	C 62	GRM39 B 103K 50PT	MUR 10-26186-10350
R258	RGC 1/16C 102D TP	KMY10-16512-10281	* VR 5			C 63	GRM39 B 103K 50PT	MUR 10-26186-10350
R259	RGC 1/16C 102D TP	KMY10-16512-10281	VR 6	ST-4B 2000Ω	CPL 10-16542-20200	C 64	GRM39 B 103K 50PT	MUR 10-26186-10350
* R260			VR 7	ST-4B 1000Ω	CPL 10-16542-10200	C 65	GRM39 B 103K 50PT	MUR 10-26186-10350
R261	RGC 1/16C 471D TP	KMY10-16512-47181	VR 8	ST-4B 1000Ω	CPL 10-16542-10200	C 66	GRM39 B 103K 50PT	MUR 10-26186-10350
R262	RGC 1/16C 472D TP	KMY10-16512-47281				C 67	GRM39 B 104K 16PT	MUR 10-26184-10416
R263	RGC 1/16C 472D TP	KMY10-16512-47281				C 68	GRM39 B 104K 16PT	MUR 10-26184-10416
R264	RGC 1/16C 101D TP	KMY10-16512-10181	< CAPACITORS >			C 69	GRM39 B 104K 16PT	MUR 10-26184-10416
R265	RGC 1/16C 563D TP	KMY10-16512-56381	C 1	MVJ 16VC 10 D60	NCH 10-26368-10616	C 70	GRM39 B 104K 16PT	MUR 10-26184-10416
R266	RGC 1/16C 473D TP	KMY10-16512-47381	C 2	MVJ 16VC 47 F60	NCH 10-26368-47616	C 71	GRM39 B 104K 16PT	MUR 10-26184-10416
R267	RGC 1/16C 472D TP	KMY10-16512-47281	C 3	GRM39 B 104K 16PT	MUR 10-26184-10416	C 72	GRM39 B 104K 16PT	MUR 10-26184-10416
R268	RGC 1/16C 332D TP	KMY10-16512-33281	C 4	GRM39 B 104K 16PT	MUR 10-26184-10416	C 73	GRM39 B 104K 16PT	MUR 10-26184-10416
R269	RGC 1/16C 332D TP	KMY10-16512-33281	C 5	267M 3502 105MR	NCC 10-26821-10535	C 74	GRM39 B 104K 16PT	MUR 10-26184-10416
R270	RGC 1/16C 103D TP	KMY10-16512-10381	C 6	CM21CH 10J 50VA TA3	KYC 10-26061-10225	C 75	GRM39 B 104K 16PT	MUR 10-26184-10416
R271	RGC 1/16C 472D TP	KMY10-16512-47281				C 76	GRM39 B 104K 16PT	MUR 10-26184-10416
R272	RGC 1/16C 473D TP	KMY10-16512-47381	C 7	CM21CH 10J 50VA TA3	KYC 10-26061-10225	C 77	GRM39 B 104K 16PT	MUR 10-26184-10416
R273	RGC 1/16C 473D TP	KMY10-16512-47381				* C 78		
R274	RGC 1/16C 101D TP	KMY10-16512-10181	C 8	16SA100M	SYO 10-75000-04540	C 79	MVJ 16VC 47 F60	NCH 10-26368-47616
R275	RGC 1/16C 332D TP	KMY10-16512-33281	C 9	GRM39 B 104K 16PT	MUR 10-26184-10416	C 80	GRM39 B 104K 16PT	MUR 10-26184-10416
R276	RGC 1/16C 332D TP	KMY10-16512-33281	C 10	16SA100M	SYO 10-75000-04540	C 81	MVJ 16VC 47 F60	NCH 10-26368-47616
R277	RGC 1/16C 472D TP	KMY10-16512-47281	C 11	GRM39 B 104K 16PT	MUR 10-26184-10416	C 82	GRM39 B 104K 16PT	MUR 10-26184-10416
* R278			C 12	6SA150M	SYO 10-75000-04290	C 83	GRM40B 223K50PT	MUR 10-26183-22350
R279	RGC 1/16C 471D TP	KMY10-16512-47181	C 13	GRM39 B 104K 16PT	MUR 10-26184-10416	C 84	GRM40B 223K50PT	MUR 10-26183-22350
R280	RGC 1/16C 472D TP	KMY10-16512-47281	C 14	CM21CH 150J 50VA TEI	KYC 10-26061-15025	C 85	GRM40B 223K50PT	MUR 10-26183-22350
R281	RGC 1/16C 101D TP	KMY10-16512-10181				C 86	GRM40B 223K50PT	MUR 10-26183-22350
R282	RGC 1/16C 104D TP	KMY10-16512-10481	C 15	CM21CH 150J 50VA TEI	KYC 10-26061-15025	C 87	GRM40B 223K50PT	MUR 10-26183-22350
R283	RGC 1/16C 103D TP	KMY10-16512-10381				C 88	GRM40B 223K50PT	MUR 10-26183-22350
R284	RGC 1/16C 471D TP	KMY10-16512-47181	C 16	267M 3502 474MR	NCC 10-26821-47435	C 89	GRM40B 223K50PT	MUR 10-26183-22350
R285	RMC 1/16 220KΩF	KMY10-16513-22491	C 17	CM21CH 10J 50VA TA2	KYC 10-26061-10125	C 90	GRM40B 223K50PT	MUR 10-26183-22350

99057-15340	PP-905734	09	0010	99057-15340	PP-905734	10	0010	99057-15340	PP-905734	11	0010
NO.	DESCRIPTION	MFD.PARTS-CODE		NO.	DESCRIPTION	MFD.PARTS-CODE		NO.	DESCRIPTION	MFD.PARTS-CODE	
C 91	GRM40B 223K50PT	MUR 10-26183-22350		C164	MVJ 6R3VC 47 E60	NCH 10-26368-47606		L 23	BLM21A60ISPT	MUR 10-39405-00200	
C 92	GRM40B 223K50PT	MUR 10-26183-22350		* C165				L 24	BLM21A60ISPT	MUR 10-39405-00200	
C 93	GRM39 B 104K 16PT	MUR 10-26184-10416		* C166				L 25	BLM21A60ISPT	MUR 10-39405-00200	
C 94	GRM39 B 104K 16PT	MUR 10-26184-10416		C167	267M 1602 336MR	NCC 10-26821-33616		L 26	BLM21A60ISPT	MUR 10-39405-00200	
C 95	GRM39 B 104K 16PT	MUR 10-26184-10416		C168	MVJ 16VC 47 F60	NCH 10-26368-47616		L 27	BLM21A60ISPT	MUR 10-39405-00200	
C 96	GRM39 B 104K 16PT	MUR 10-26184-10416		C169	GRM39 B 104K 16PT	MUR 10-26184-10416					
C 97	GRM39 B 104K 16PT	MUR 10-26184-10416		C170	267M 1602 336MR	NCC 10-26821-33616					
C 98	GRM39 B 104K 16PT	MUR 10-26184-10416		C171	CM21CH 680J 50VA T W1						
C 99	MVJ 16VC 47 F60	NCH 10-26368-47616				KYC 10-26061-68025					
C100	CM21CH 101J 50VA T A2			* C172							
		KYC 10-26061-10125		C173	GRM40B 474K16PT	MUR 10-26183-47416		X 1	HC-49/U-S	KIN 10-45006-00104	
C101	GRM39 B 104K 16PT	MUR 10-26184-10416		C174	GRM40B 474K16PT	MUR 10-26183-47416		X 2	HC-49/U-S	KIN 10-45006-00013	
C102	267M 3502 224MR	NCC 10-26821-22435		C175	GRM40B 474K16PT	MUR 10-26183-47416		X 3	HC-49/U-S	KIN 10-45006-00014	
C103	GRM39 B 103K 50PT	MUR 10-26186-10350		C176	GRM40B 474K16PT	MUR 10-26183-47416		* X 4			
C104	GRM39 B 104K 16PT	MUR 10-26184-10416		C177	GRM40B 474K16PT	MUR 10-26183-47416					
C105	GRM39 B 104K 16PT	MUR 10-26184-10416		C178	GRM40B 474K16PT	MUR 10-26183-47416					
C106	MVJ 16VC 10 D60	NCH 10-26368-10616		C179	GRM40B 474K16PT	MUR 10-26183-47416					
C107	6SL15M	SYO 10-75000-04210		C180	GRM40B 474K16PT	MUR 10-26183-47416					
C108	GRM39 B 104K 16PT	MUR 10-26184-10416		C181	GRM40B 474K16PT	MUR 10-26183-47416					
C109	GRM39 B 104K 16PT	MUR 10-26184-10416		C182	GRM40B 474K16PT	MUR 10-26183-47416					
C110	GRM39 B 104K 16PT	MUR 10-26184-10416		C183	GRM40B 474K16PT	MUR 10-26183-47416					
C111	GRM39 B 104K 16PT	MUR 10-26184-10416		C184	GRM40B 474K16PT	MUR 10-26183-47416					
C112	GRM39 B 104K 16PT	MUR 10-26184-10416		C185	GRM40B 474K16PT	MUR 10-26183-47416					
C113	GRM39 B 104K 16PT	MUR 10-26184-10416		C186	GRM39 B 104K 16PT	MUR 10-26184-10416					
C114	GRM39 B 104K 16PT	MUR 10-26184-10416		C187	GRM39 B 104K 16PT	MUR 10-26184-10416					
C115	CM21CH 220J 50VA T J1			C188	GRM39 B 104K 16PT	MUR 10-26184-10416					
		KYC 10-26061-22025		C189	GRM39 B 104K 16PT	MUR 10-26184-10416					
C116	CM21CH 220J 50VA T J1			C190	GRM39 B 104K 16PT	MUR 10-26184-10416					
		KYC 10-26061-22025		C191	GRM39 B 104K 16PT	MUR 10-26184-10416					
* C117				C192	GRM39 B 104K 16PT	MUR 10-26184-10416					
* C118				C193	GRM39 B 104K 16PT	MUR 10-26184-10416					
C119	6SL15M	SYO 10-75000-04210		C194	GRM39 B 104K 16PT	MUR 10-26184-10416					
C120	GRM39 B 104K 16PT	MUR 10-26184-10416		C195	GRM39 B 104K 16PT	MUR 10-26184-10416					
C121	GRM39 B 104K 16PT	MUR 10-26184-10416		C196	GRM39 B 104K 16PT	MUR 10-26184-10416					
C122	GRM39 B 104K 16PT	MUR 10-26184-10416		C197	GRM39 B 104K 16PT	MUR 10-26184-10416					
C123	GRM39 B 104K 16PT	MUR 10-26184-10416		C198	GRM39 B 104K 16PT	MUR 10-26184-10416					
C124	GRM39 B 104K 16PT	MUR 10-26184-10416		C199	GRM39 B 104K 16PT	MUR 10-26184-10416					
C125	GRM39 B 104K 16PT	MUR 10-26184-10416		C200	GRM39 B 104K 16PT	MUR 10-26184-10416					
C126	GRM39 B 104K 16PT	MUR 10-26184-10416		C201	GRM39 B 104K 16PT	MUR 10-26184-10416					
C127	GRM39 B 104K 16PT	MUR 10-26184-10416		C202	GRM39 B 104K 16PT	MUR 10-26184-10416					
* C128				C203	GRM39 B 104K 16PT	MUR 10-26184-10416					
C129	GRM39 B 104K 16PT	MUR 10-26184-10416		C204	CM21CH 101J 50VA T A2						
C130	GRM39 B 104K 16PT	MUR 10-26184-10416				KYC 10-26061-10125					
C131	GRM39 B 104K 16PT	MUR 10-26184-10416		C205	CM21CH 102J 50VA T A3						
C132	GRM39 B 104K 16PT	MUR 10-26184-10416				KYC 10-26061-10225					
C133	GRM39 B 104K 16PT	MUR 10-26184-10416		C206	GRM39 B 104K 16PT	MUR 10-26184-10416					
C134	GRM39 B 104K 16PT	MUR 10-26184-10416		C207	CM21CH 151J 50VA T E2						
C135	GRM39 B 104K 16PT	MUR 10-26184-10416				KYC 10-26061-15125					
C136	GRM39 B 104K 16PT	MUR 10-26184-10416									
C137	GRM39 B 104K 16PT	MUR 10-26184-10416		* VC 1							
C138	GRM39 B 104K 16PT	MUR 10-26184-10416		* VC 2							
C139	GRM39 B 104K 16PT	MUR 10-26184-10416									
C140	GRM39 B 104K 16PT	MUR 10-26184-10416									
C141	GRM39 B 104K 16PT	MUR 10-26184-10416									
C142	GRM39 B 104K 16PT	MUR 10-26184-10416									
C143	GRM39 B 104K 16PT	MUR 10-26184-10416									
C144	GRM39 B 104K 16PT	MUR 10-26184-10416									
C145	GRM39 B 104K 16PT	MUR 10-26184-10416									
C146	GRM39 B 104K 16PT	MUR 10-26184-10416									
C147	GRM39 B 104K 16PT	MUR 10-26184-10416									
C148	GRM39 B 104K 16PT	MUR 10-26184-10416									
C149	GRM39 B 104K 16PT	MUR 10-26184-10416									
C150	GRM39 B 104K 16PT	MUR 10-26184-10416									
* C151											
* C152											
C153	267M 1602 336MR	NCC 10-26821-33616									
C154	267M 1602 105MR	NCC 10-26821-10516									
C155	GRM39 B 104K 16PT	MUR 10-26184-10416									
C156	GRM39 B 104K 16PT	MUR 10-26184-10416									
C157	UWX IC 101MCR1GB	NCI 10-26601-10716									
C158	GRM39 B 104K 16PT	MUR 10-26184-10416									
C159	UWX IC 101MCR1GB	NCI 10-26601-10716									
C160	GRM39 B 104K 16PT	MUR 10-26184-10416									
C161	GRM39 B 104K 16PT	MUR 10-26184-10416									
C162	GRM39 B 104K 16PT	MUR 10-26184-10416									
C163	GRM39 B 104K 16PT	MUR 10-26184-10416									

(5) VIDEO PROCESS BOARD

• VIDEO PROCESS BOARD

99057-15350 PP-905735 01 0010

99057-15350 PP-905735 02 0010

99057-15350 PP-905735 03 0010

NO.	DESCRIPTION	MFD.PARTS-CODE	NO.	DESCRIPTION	MFD.PARTS-CODE	NO.	DESCRIPTION	MFD.PARTS-CODE
<b>&lt; INTEGRATED CIRCUITS &gt;</b>			TR203	2SA1461-Y24	NEC 10-05822-11100	<b>&lt; DIODES &gt;</b>		
IC 1	UPD4053BG	NEC 10-04784-03000	TR204	XN6501-TX	MAT 10-05691-06500	D 1	IS2836-A4	NEC 10-06812-03400
IC101	UPD4053BG	NEC 10-04784-03000	TR205	2SC4154 T11	MIT 10-05824-03210	D101	IS2836-A4	NEC 10-06812-03400
IC201	MC1495D	MOT 10-04363-00910	TR206	2SC3735-B35	NEC 10-05824-02840	D102	RD6R8MB2	NEC 10-06513-01700
IC202	TL082CPS	TEX 10-04574-00500	TR207	2SA1461-Y24	NEC 10-05822-11100	D103	IS2836-A4	NEC 10-06812-03400
IC203	UPD4053BG	NEC 10-04784-03000	TR208	2SC1623-L6.7	NEC 10-05824-00100	D104	IS2836-A4	NEC 10-06812-03400
IC301	MC1495D	MOT 10-04363-00910	TR209	2SA1461-Y24	NEC 10-05822-11100	D201	RD6R8MB2	NEC 10-06513-01700
IC302	TL082CPS	TEX 10-04574-00500	TR210	2SC4154 T11	MIT 10-05824-03210	D202	IS2836-A4	NEC 10-06812-03400
IC401	MC1495D	MOT 10-04363-00910	TR301	2SC4154 T11	MIT 10-05824-03210	D203	IS2836-A4	NEC 10-06812-03400
IC501	MC1495D	MOT 10-04363-00910	TR302	2SC4154 T11	MIT 10-05824-03210	D204	IS2836-A4	NEC 10-06812-03400
IC502	TL082CPS	TEX 10-04574-00500	TR303	2SA1461-Y24	NEC 10-05822-11100	D301	RD6R8MB2	NEC 10-06513-01700
IC601	UPD4066BG T1	NEC 10-04784-00016	TR304	XN6501-TX	MAT 10-05691-06500	D302	IS2836-A4	NEC 10-06812-03400
IC602	TC74HC4053AFT	TOS 10-04572-00038	TR305	2SC4154 T11	MIT 10-05824-03210	D303	IS2836-A4	NEC 10-06812-03400
IC603	LM1201N	NSC 10-01332-01390	TR306	2SC3735-B35	NEC 10-05824-02840	D401	RD6R8MB2	NEC 10-06513-01700
IC701	LM1201N	NSC 10-01332-01390	TR307	2SA1461-Y24	NEC 10-05822-11100	D402	IS2836-A4	NEC 10-06812-03400
IC801	UPD4066BG T1	NEC 10-04784-00016	TR308	2SC1623-L6.7	NEC 10-05824-00100	D403	IS2836-A4	NEC 10-06812-03400
IC802	LM1201N	NSC 10-01332-01390	TR309	2SC4154 T11	MIT 10-05824-03210	D601	RD3ROMB	NEC 10-06513-00500
IC901	UPD4053BG	NEC 10-04784-03000	TR310	2SA1461-Y24	NEC 10-05822-11100	D701	IS2836-A4	NEC 10-06812-03400
IC902	GS4881-CKA	GNM 10-04181-04880	TR311	2SC4154 T11	MIT 10-05824-03210	D702	RD3ROMB	NEC 10-06513-00500
IC903	TC74VHC00FT	TOS 10-04572-00032	TR401	2SC4154 T11	MIT 10-05824-03210	D703	IS2836-A4	NEC 10-06812-03400
IC904	TC4W53F	TOS 10-04572-09530	TR402	2SC4154 T11	MIT 10-05824-03210	D801	RD3ROMB	NEC 10-06513-00500
IC905	TC74HC221AF	TOS 10-04572-10671	TR403	2SA1461-Y24	NEC 10-05822-11100	D802	IS2836-A4	NEC 10-06812-03400
IC906	TC4W53F	TOS 10-04572-09530	TR404	XN6501-TX	MAT 10-05691-06500	D901	IS2836-A4	NEC 10-06812-03400
IC907	TC74VHC00FT	TOS 10-04572-00032	TR405	2SC4154 T11	MIT 10-05824-03210	D902	IS2836-A4	NEC 10-06812-03400
IC908	NJU3718G	JRC 10-04395-00011	TR406	2SC3735-B35	NEC 10-05824-02840	D903	ISS123-A7	NEC 10-06813-00600
IC909	EPM7128STC100-15	ALT 10-04122-00027	TR407	2SA1461-Y24	NEC 10-05822-11100	D904	ISS123-A7	NEC 10-06813-00600
IC910	TLC2932PWPR	TEX 10-04575-00010	TR408	2SC1623-L6.7	NEC 10-05824-00100	D905	ISS123-A7	NEC 10-06813-00600
IC911	TC74VHC541FT	TOS 10-04572-00030	TR409	2SA1461-Y24	NEC 10-05822-11100	D908	ISS123-A7	NEC 10-06813-00600
IC912	TC74VHC541FT	TOS 10-04572-00030	TR410	2SC4154 T11	MIT 10-05824-03210	D909	ISS123-A7	NEC 10-06813-00600
IC913	TL7700CPS	TEX 10-04574-01900	TR601	2SC4154 T11	MIT 10-05824-03210	D910	ISS123-A7	NEC 10-06813-00600
<b>&lt; TRANSISTORS &gt;</b>			TR602	2SC4154 T11	MIT 10-05824-03210	D911	DFH10TG	SYO 10-03093-00200
TR 1	2SC3398	SYO 10-05824-02400	TR603	2SC3398	SYO 10-05824-02400	D912	DFH10TG	SYO 10-03093-00200
TR 11	2SC4154 T11	MIT 10-05824-03210	TR604	2SC4154 T11	MIT 10-05824-03210	D913	DFH10TG	SYO 10-03093-00200
TR 12	2SC4154 T11	MIT 10-05824-03210	TR605	2SC4154 T11	MIT 10-05824-03210	D914	DFH10TG	SYO 10-03093-00200
TR 13	2SC4154 T11	MIT 10-05824-03210	TR606	2SC3734-B24	NEC 10-05824-02830	D915	DFH10TG	SYO 10-03093-00200
TR 14	2SC4154 T11	MIT 10-05824-03210	TR607	2SC4154 T11	MIT 10-05824-03210			
TR 31	2SC4154 T11	MIT 10-05824-03210	TR608	2SC4154 T11	MIT 10-05824-03210	<b>&lt; RESISTORS &gt;</b>		
TR 32	2SC4154 T11	MIT 10-05824-03210	TR609	2SC4154 T11	MIT 10-05824-03210	R 1	RMC 1/16 JP	KMY 10-16513-00000
TR 33	2SC4154 T11	MIT 10-05824-03210	TR610	XN6401-TX	MAT 10-05691-06400	R 2	RMC 1/16 JP	KMY 10-16513-00000
TR 34	2SC4154 T11	MIT 10-05824-03210	TR611	2SC4154 T11	MIT 10-05824-03210	R 3	RMC 1 100F TE	KMY 10-16514-10031
TR 51	2SC4154 T11	MIT 10-05824-03210	TR701	2SC4154 T11	MIT 10-05824-03210	R 4	RMC 1 100F TE	KMY 10-16514-10031
TR 52	2SC4154 T11	MIT 10-05824-03210	TR702	2SC4154 T11	MIT 10-05824-03210	R 5	RMC 1 100F TE	KMY 10-16514-10031
TR 53	2SC4154 T11	MIT 10-05824-03210	TR703	2SC3734-B24	NEC 10-05824-02830	R 6	RMC 1 100F TE	KMY 10-16514-10031
TR 54	2SC4154 T11	MIT 10-05824-03210	TR704	2SC4154 T11	MIT 10-05824-03210	R 7	RGC 1/16C 473D TP	KMY 10-16512-47381
TR 71	2SC4154 T11	MIT 10-05824-03210	TR705	2SA1602 T-11-1F	MIT 10-05822-13020	R 11	RGC 1/16C 473D TP	KMY 10-16512-47381
TR 72	2SC4154 T11	MIT 10-05824-03210	TR706	2SC4154 T11	MIT 10-05824-03210	R 12	RGC 1/16C 122D TP	KMY 10-16512-12281
TR 73	2SC4154 T11	MIT 10-05824-03210	TR707	2SC4154 T11	MIT 10-05824-03210	R 13	RGC 1/16C 121D TP	KMY 10-16512-12181
TR 74	2SC4154 T11	MIT 10-05824-03210	TR708	XN6401-TX	MAT 10-05691-06400	R 14	RGC 1/16C 331D TP	KMY 10-16512-33181
TR101	2SA1602 T-11-1F	MIT 10-05822-13020	TR709	2SC4154 T11	MIT 10-05824-03210	R 15	RGC 1/16C 222D TP	KMY 10-16512-22281
TR102	XN6501-TX	MAT 10-05691-06500	TR801	2SC4154 T11	MIT 10-05824-03210	R 16	RGC 1/16C 122D TP	KMY 10-16512-12281
TR103	2SC4154 T11	MIT 10-05824-03210	TR802	2SC4154 T11	MIT 10-05824-03210	R 17	RGC 1/16C 121D TP	KMY 10-16512-12181
TR104	2SC4154 T11	MIT 10-05824-03210	TR803	2SC4154 T11	MIT 10-05824-03210	R 18	RGC 1/16C 331D TP	KMY 10-16512-33181
TR105	FN1A4M	NEC 10-05151-01000	TR804	2SA1602 T-11-1F	MIT 10-05822-13020	R 19	RGC 1/16C 101D TP	KMY 10-16512-10181
TR106	2SC4154 T11	MIT 10-05824-03210	TR805	2SC4154 T11	MIT 10-05824-03210	R 20	RGC 1/16C 471D TP	KMY 10-16512-47181
TR107	2SA1602 T-11-1F	MIT 10-05822-13020	TR806	2SC4154 T11	MIT 10-05824-03210	R 21	RGC 1/16C 103D TP	KMY 10-16512-10381
TR108	2SA1602 T-11-1F	MIT 10-05822-13020	TR807	2SC3734-B24	NEC 10-05824-02830	R 22	RGC 1/16C 183D TP	KMY 10-16512-18381
TR109	2SC4154 T11	MIT 10-05824-03210	TR808	2SC4154 T11	MIT 10-05824-03210	R 23	RGC 1/16C 101D TP	KMY 10-16512-10181
TR110	2SC4154 T11	MIT 10-05824-03210	TR809	2SC4154 T11	MIT 10-05824-03210	R 24	RGC 1/16C 102D TP	KMY 10-16512-10281
TR111	2SC4154 T11	MIT 10-05824-03210	TR810	2SA1602 T-11-1F	MIT 10-05822-13020	R 31	RGC 1/16C 473D TP	KMY 10-16512-47381
TR112	FN1A4M	NEC 10-05151-01000	TR811	2SA1602 T-11-1F	MIT 10-05822-13020	R 32	RGC 1/16C 122D TP	KMY 10-16512-12281
TR113	2SC4154 T11	MIT 10-05824-03210	TR812	2SC4154 T11	MIT 10-05824-03210	R 33	RGC 1/16C 121D TP	KMY 10-16512-12181
TR114	2SA1602 T-11-1F	MIT 10-05822-13020	TR813	2SC4154 T11	MIT 10-05824-03210	R 34	RGC 1/16C 331D TP	KMY 10-16512-33181
TR115	XN6501-TX	MAT 10-05691-06500	TR814	XN6401-TX	MAT 10-05691-06400	R 35	RGC 1/16C 222D TP	KMY 10-16512-22281
TR116	2SC4154 T11	MIT 10-05824-03210	TR815	2SC4154 T11	MIT 10-05824-03210	R 36	RGC 1/16C 122D TP	KMY 10-16512-12281
TR117	2SC3398	SYO 10-05824-02400	TR816	2SC3398	SYO 10-05824-02400	R 37	RGC 1/16C 121D TP	KMY 10-16512-12181
TR118	2SC4154 T11	MIT 10-05824-03210	TR901	2SA1602 T-11-1F	MIT 10-05822-13020	R 38	RGC 1/16C 331D TP	KMY 10-16512-33181
TR119	FN1A4M	NEC 10-05151-01000	TR902	2SC3398	SYO 10-05824-02400	R 39	RGC 1/16C 101D TP	KMY 10-16512-10181
TR120	2SC4154 T11	MIT 10-05824-03210	TR903	2SA1461-Y24	NEC 10-05822-11100	R 40	RGC 1/16C 471D TP	KMY 10-16512-47181
TR123	2SC3398	SYO 10-05824-02400	TR904	2SC3398	SYO 10-05824-02400	R 41	RGC 1/16C 103D TP	KMY 10-16512-10381
TR125	2SA1461-Y24	NEC 10-05822-11100	TR905	2SC3735-B35	NEC 10-05824-02840	R 42	RGC 1/16C 183D TP	KMY 10-16512-18381
TR127	2SA1461-Y24	NEC 10-05822-11100	TR911	2SC3735-B35	NEC 10-05824-02840	R 43	RGC 1/16C 101D TP	KMY 10-16512-10181
TR129	2SA1461-Y24	NEC 10-05822-11100	TR912	2SA1330-O6.7	NEC 10-05822-10000	R 44	RGC 1/16C 102D TP	KMY 10-16512-10281
TR201	2SC4154 T11	MIT 10-05824-03210	TR913	2SC3631K-Z	NEC 10-05824-02730	R 51	RGC 1/16C 473D TP	KMY 10-16512-47381
TR202	2SC4154 T11	MIT 10-05824-03210	TR916	FN1A4M	NEC 10-05151-01000	R 52	RGC 1/16C 122D TP	KMY 10-16512-12281
						R 53	RGC 1/16C 121D TP	KMY 10-16512-12181

99057-15350 PP-905735 04 0010			99057-15350 PP-905735 05 0010			99057-15350 PP-905735 06 0010		
NO.	DESCRIPTION	MFD.PARTS-CODE	NO.	DESCRIPTION	MFD.PARTS-CODE	NO.	DESCRIPTION	MFD.PARTS-CODE
R 54	RGC 1/16C 331D TP	KMY10-16512-33181	R154	RGC 1/16C 101D TP	KMY10-16512-10181	R242	RGC 1/16C 472D TP	KMY10-16512-47281
R 55	RGC 1/16C 222D TP	KMY10-16512-22281	R155	RGC 1/16C 821D TP	KMY10-16512-82181	R243	RGC 1/16C 101D TP	KMY10-16512-10181
R 56	RGC 1/16C 122D TP	KMY10-16512-12281	R156	RGC 1/16C 101D TP	KMY10-16512-10181	R244	RGC 1/16C 152D TP	KMY10-16512-15281
R 57	RGC 1/16C 121D TP	KMY10-16512-12181	R157	RGC 1/16C 102D TP	KMY10-16512-10281	R245	RGC 1/16C 103D TP	KMY10-16512-10381
R 58	RGC 1/16C 331D TP	KMY10-16512-33181	R158	RGC 1/16C 471D TP	KMY10-16512-47181	R246	RGC 1/16C 472D TP	KMY10-16512-47281
R 59	RGC 1/16C 101D TP	KMY10-16512-10181	R159	RGC 1/16C 102D TP	KMY10-16512-10281	R247	RMC 1 100F TE	KMY10-16514-10031
R 61	RGC 1/16C 103D TP	KMY10-16512-10381	R160	RGC 1/16C 332D TP	KMY10-16512-33281	R248	RMC 1 100F TE	KMY10-16514-10031
R 62	RGC 1/16C 183D TP	KMY10-16512-18381	R161	RGC 1/16C 222D TP	KMY10-16512-22281	R249	RMC 1/16 220KΩF	KMY10-16513-22491
R 63	RGC 1/16C 101D TP	KMY10-16512-10181	R162	RGC 1/16C 222D TP	KMY10-16512-22281	R301	RGC 1/16C 392D TP	KMY10-16512-39281
R 64	RGC 1/16C 102D TP	KMY10-16512-10281	R163	RGC 1/16C 821D TP	KMY10-16512-82181	R302	RGC 1/16C 102D TP	KMY10-16512-10281
R 71	RGC 1/16C 473D TP	KMY10-16512-47381	R164	RGC 1/16C 330D TP	KMY10-16512-33081	R303	RGC 1/16C 102D TP	KMY10-16512-10281
R 72	RGC 1/16C 102D TP	KMY10-16512-10281	R165	RMC 1/16 JP	KMY10-16513-00000	R304	RGC 1/16C 472D TP	KMY10-16512-47281
R 73	RGC 1/16C 152D TP	KMY10-16512-15281	R166	RGC 1/16C 332D TP	KMY10-16512-33281	R305	RGC 1/16C 472D TP	KMY10-16512-47281
* R 74			R167	RGC 1/16C 151D TP	KMY10-16512-15181	R306	RGC 1/16C 101D TP	KMY10-16512-10181
R 75	RGC 1/16C 102D TP	KMY10-16512-10281	R168	RGC 1/16C 152D TP	KMY10-16512-15281	R307	RGC 1/16C 682D TP	KMY10-16512-68281
R 76	RGC 1/16C 152D TP	KMY10-16512-15281	R169	RGC 1/16C 470D TP	KMY10-16512-47081	R308	RGC 1/16C 222D TP	KMY10-16512-22281
R 77	RGC 1/16C 101D TP	KMY10-16512-10181	R170	RGC 1/16C 822D TP	KMY10-16512-82281	R309	RGC 1/16C 222D TP	KMY10-16512-22281
R 78	RGC 1/16C 102D TP	KMY10-16512-10281	R171	RGC 1/16C 561D TP	KMY10-16512-56181	* R310		
R 79	RGC 1/16C 103D TP	KMY10-16512-10381	R172	RGC 1/16C 331D TP	KMY10-16512-33181	R311	RGC 1/16C 104D TP	KMY10-16512-10481
R 80	RGC 1/16C 183D TP	KMY10-16512-18381	R173	RGC 1/16C 101D TP	KMY10-16512-10181	R312	RGC 1/16C 472D TP	KMY10-16512-47281
R 81	RGC 1/16C 103D TP	KMY10-16512-10381	R174	RGC 1/16C 472D TP	KMY10-16512-47281	R313	RGC 1/16C 472D TP	KMY10-16512-47281
R 82	RGC 1/16C 103D TP	KMY10-16512-10381	R175	RGC 1/16C 103D TP	KMY10-16512-10381	R314	RGC 1/16C 472D TP	KMY10-16512-47281
R 83	RGC 1/16C 103D TP	KMY10-16512-10381	R176	RGC 1/16C 101D TP	KMY10-16512-10181	R315	RGC 1/16C 102D TP	KMY10-16512-10281
R 85	RGC 1/16C 472D TP	KMY10-16512-47281	R177	RGC 1/16C 472D TP	KMY10-16512-47281	R316	RGC 1/16C 562D TP	KMY10-16512-56281
R101	RGC 1/16C 101D TP	KMY10-16512-10181	R178	RMC 1/16 150KΩF	KMY10-16513-15491	R317	RGC 1/16C 102D TP	KMY10-16512-10281
R102	RGC 1/16C 821D TP	KMY10-16512-82181	R179	RGC 1/16C 103D TP	KMY10-16512-10381	R318	RGC 1/16C 152D TP	KMY10-16512-15281
R103	RGC 1/16C 101D TP	KMY10-16512-10181	R180	RGC 1/16C 104D TP	KMY10-16512-10481	R319	RGC 1/16C 681D TP	KMY10-16512-68181
R104	RGC 1/16C 102D TP	KMY10-16512-10281	R181	RGC 1/16C 562D TP	KMY10-16512-56281	R320	RGC 1/16C 681D TP	KMY10-16512-68181
R105	RGC 1/16C 471D TP	KMY10-16512-47181	R182	RGC 1/16C 333D TP	KMY10-16512-33381	R321	RGC 1/16C 681D TP	KMY10-16512-68181
R106	RGC 1/16C 102D TP	KMY10-16512-10281	R183	RGC 1/16C 101D TP	KMY10-16512-10181	R322	RGC 1/16C 682D TP	KMY10-16512-68281
R107	RGC 1/16C 332D TP	KMY10-16512-33281	R185	RGC 1/16C 333D TP	KMY10-16512-33381	R323	RGC 1/16C 472D TP	KMY10-16512-47281
R108	RGC 1/16C 332D TP	KMY10-16512-33281	R186	RGC 1/16C 101D TP	KMY10-16512-10181	R324	RGC 1/16C 102D TP	KMY10-16512-10281
R109	RGC 1/16C 332D TP	KMY10-16512-33281	R188	RGC 1/16C 333D TP	KMY10-16512-33381	R325	RGC 1/16C 102D TP	KMY10-16512-10281
R110	RGC 1/16C 821D TP	KMY10-16512-82181	R189	RGC 1/16C 101D TP	KMY10-16512-10181	R326	RGC 1/16C 102D TP	KMY10-16512-10281
R111	RGC 1/16C 330D TP	KMY10-16512-33081	R191	RGC 1/16C 821D TP	KMY10-16512-82181	R327	RGC 1/16C 153D TP	KMY10-16512-15381
R112	RMC 1/16 JP	KMY10-16513-00000	R192	RGC 1/16C 821D TP	KMY10-16512-82181	R328	RGC 1/16C 151D TP	KMY10-16512-15181
R113	RGC 1/16C 332D TP	KMY10-16512-33281	R201	RGC 1/16C 392D TP	KMY10-16512-39281	R329	RGC 1/16C 682D TP	KMY10-16512-68281
R114	RGC 1/16C 151D TP	KMY10-16512-15181	R202	RGC 1/16C 102D TP	KMY10-16512-10281	R330	RGC 1/16C 682D TP	KMY10-16512-68281
R115	RGC 1/16C 152D TP	KMY10-16512-15281	R203	RGC 1/16C 102D TP	KMY10-16512-10281	R331	RGC 1/16C 682D TP	KMY10-16512-68281
R116	RGC 1/16C 470D TP	KMY10-16512-47081	R204	RGC 1/16C 472D TP	KMY10-16512-47281	R332	RGC 1/16C 682D TP	KMY10-16512-68281
R117	RGC 1/16C 822D TP	KMY10-16512-82281	R205	RGC 1/16C 472D TP	KMY10-16512-47281	R333	RGC 1/16C 682D TP	KMY10-16512-68281
R118	RGC 1/16C 561D TP	KMY10-16512-56181	R206	RGC 1/16C 101D TP	KMY10-16512-10181	R334	RGC 1/16C 102D TP	KMY10-16512-10281
R119	RGC 1/16C 331D TP	KMY10-16512-33181	R207	RGC 1/16C 682D TP	KMY10-16512-68281	R335	RGC 1/16C 332D TP	KMY10-16512-33281
R120	RGC 1/16C 101D TP	KMY10-16512-10181	R208	RGC 1/16C 222D TP	KMY10-16512-22281	R336	RGC 1/16C 683D TP	KMY10-16512-68381
R121	RGC 1/16C 332D TP	KMY10-16512-33281	R209	RGC 1/16C 222D TP	KMY10-16512-22281	R337	RGC 1/16C 473D TP	KMY10-16512-47381
R122	RGC 1/16C 104D TP	KMY10-16512-10481	R210	RGC 1/16C 104D TP	KMY10-16512-10481	R338	RGC 1/16C 103D TP	KMY10-16512-10381
R123	RGC 1/16C 103D TP	KMY10-16512-10381	R211	RGC 1/16C 103D TP	KMY10-16512-10381	R339	RGC 1/16C 103D TP	KMY10-16512-10381
R124	RGC 1/16C 101D TP	KMY10-16512-10181	R212	RGC 1/16C 472D TP	KMY10-16512-47281	R340	RGC 1/16C 103D TP	KMY10-16512-10381
R125	RGC 1/16C 472D TP	KMY10-16512-47281	R213	RGC 1/16C 472D TP	KMY10-16512-47281	R341	RGC 1/16C 103D TP	KMY10-16512-10381
R126	RMC 1/16 150KΩF	KMY10-16513-15491	R214	RGC 1/16C 102D TP	KMY10-16512-10281	R342	RGC 1/16C 472D TP	KMY10-16512-47281
R127	RGC 1/16C 103D TP	KMY10-16512-10381	R215	RGC 1/16C 472D TP	KMY10-16512-47281	R343	RGC 1/16C 222D TP	KMY10-16512-22281
R128	RGC 1/16C 104D TP	KMY10-16512-10481	R216	RGC 1/16C 102D TP	KMY10-16512-10281	R344	RGC 1/16C 472D TP	KMY10-16512-47281
R129	RGC 1/16C 101D TP	KMY10-16512-10181	R217	RGC 1/16C 152D TP	KMY10-16512-15281	R345	RGC 1/16C 102D TP	KMY10-16512-10281
R130	RGC 1/16C 821D TP	KMY10-16512-82181	R218	RGC 1/16C 681D TP	KMY10-16512-68181	R346	RGC 1/16C 472D TP	KMY10-16512-47281
R131	RGC 1/16C 103D TP	KMY10-16512-10381	R219	RGC 1/16C 681D TP	KMY10-16512-68181	R347	RGC 1/16C 682D TP	KMY10-16512-68281
R132	RGC 1/16C 101D TP	KMY10-16512-10181	R220	RGC 1/16C 682D TP	KMY10-16512-68281	R348	RGC 1/16C 102D TP	KMY10-16512-10281
R133	RGC 1/16C 332D TP	KMY10-16512-33281	R221	RGC 1/16C 682D TP	KMY10-16512-68281	R349	RGC 1/16C 472D TP	KMY10-16512-47281
R134	RGC 1/16C 332D TP	KMY10-16512-33281	R222	RGC 1/16C 681D TP	KMY10-16512-68181	R350	RGC 1/16C 332D TP	KMY10-16512-33281
R135	RGC 1/16C 330D TP	KMY10-16512-33081	R223	RGC 1/16C 102D TP	KMY10-16512-10281	R351	RGC 1/16C 101D TP	KMY10-16512-10181
R136	RMC 1/16 JP	KMY10-16513-00000	R224	RGC 1/16C 102D TP	KMY10-16512-10281	R352	RGC 1/16C 103D TP	KMY10-16512-10381
R137	RGC 1/16C 152D TP	KMY10-16512-15281	R225	RGC 1/16C 102D TP	KMY10-16512-10281	R353	RGC 1/16C 472D TP	KMY10-16512-47281
R138	RGC 1/16C 151D TP	KMY10-16512-15181	R226	RGC 1/16C 151D TP	KMY10-16512-15181	R354	RMC 1 100F TE	KMY10-16514-10031
R139	RGC 1/16C 470D TP	KMY10-16512-47081	R227	RGC 1/16C 682D TP	KMY10-16512-68281	R355	RMC 1 100F TE	KMY10-16514-10031
R140	RGC 1/16C 822D TP	KMY10-16512-82281	R228	RGC 1/16C 682D TP	KMY10-16512-68281	R357	RGC 1/16C 103D TP	KMY10-16512-10381
R141	RGC 1/16C 561D TP	KMY10-16512-56181	R229	RGC 1/16C 682D TP	KMY10-16512-68281	R401	RGC 1/16C 392D TP	KMY10-16512-39281
R142	RGC 1/16C 331D TP	KMY10-16512-33181	R230	RGC 1/16C 682D TP	KMY10-16512-68281	R402	RGC 1/16C 102D TP	KMY10-16512-10281
R143	RGC 1/16C 471D TP	KMY10-16512-47181	R231	RGC 1/16C 682D TP	KMY10-16512-68281	R403	RGC 1/16C 102D TP	KMY10-16512-10281
R144	RGC 1/16C 101D TP	KMY10-16512-10181	R232	RGC 1/16C 102D TP	KMY10-16512-10281	R404	RGC 1/16C 472D TP	KMY10-16512-47281
R145	RGC 1/16C 562D TP	KMY10-16512-56281	R233	RGC 1/16C 332D TP	KMY10-16512-33281	R405	RGC 1/16C 472D TP	KMY10-16512-47281
R146	RGC 1/16C 562D TP	KMY10-16512-56281	R234	RGC 1/16C 683D TP	KMY10-16512-68381	R406	RGC 1/16C 101D TP	KMY10-16512-10181
R147	RGC 1/16C 472D TP	KMY10-16512-47281	R235	RGC 1/16C 473D TP	KMY10-16512-47381	R407	RGC 1/16C 682D TP	KMY10-16512-68281
R148	RGC 1/16C 103D TP	KMY10-16512-10381	R236	RGC 1/16C 101D TP	KMY10-16512-10181	R408	RGC 1/16C 222D TP	KMY10-16512-22281
R149	RGC 1/16C 101D TP	KMY10-16512-10181	R237	RGC 1/16C 103D TP	KMY10-16512-10381	R409	RGC 1/16C 222D TP	KMY10-16512-22281
R150	RGC 1/16C 472D TP	KMY10-16512-47281	R238	RMC 1/16 220KΩF	KMY10-16513-22491	R410	RGC 1/16C 104D TP	KMY10-16512-10481
R151	RMC 1/16 150KΩF	KMY10-16513-15491	R239	RGC 1/16C 104D TP	KMY10-16512-10481	R411	RGC 1/16C 472D TP	KMY10-16512-47281
R152	RGC 1/16C 103D TP	KMY10-16512-10381	R240	RGC 1/16C 104D TP	KMY10-16512-10481	R412	RGC 1/16C 103D TP	KMY10-16512-10381
R153	RGC 1/16C 104D TP	KMY10-16512-10481	R241	RGC 1/16C 333D TP	KMY10-16512-33381	R413	RGC 1/16C 472D TP	KMY10-16512-47281

99057-15350	PP-905735	07	0010	99057-15350	PP-905735	08	0010	99057-15350	PP-905735	09	0010
NO.	DESCRIPTION	MFD.PARTS-CODE		NO.	DESCRIPTION	MFD.PARTS-CODE		NO.	DESCRIPTION	MFD.PARTS-CODE	
R414	RGC 1/16C 102D TP	KMY10-16512-10281		R628	RGC 1/16C 332D TP	KMY10-16512-33281		R812	RGC 1/16C 182D TP	KMY10-16512-18281	
R415	RGC 1/16C 472D TP	KMY10-16512-47281		R629	RGC 1/16C 332D TP	KMY10-16512-33281		R813	RGC 1/16C 472D TP	KMY10-16512-47281	
R416	RGC 1/16C 102D TP	KMY10-16512-10281		R630	RGC 1/16C 101D TP	KMY10-16512-10181		R814	RGC 1/16C 473D TP	KMY10-16512-47381	
R417	RGC 1/16C 152D TP	KMY10-16512-15281		R631	RGC 1/16C 332D TP	KMY10-16512-33281		R815	RGC 1/16C 102D TP	KMY10-16512-10281	
R418	RGC 1/16C 681D TP	KMY10-16512-68181		R632	RGC 1/16C 682D TP	KMY10-16512-68281		R816	RGC 1/16C 332D TP	KMY10-16512-33281	
R419	RGC 1/16C 681D TP	KMY10-16512-68181		R633	RGC 1/16C 102D TP	KMY10-16512-10281		R817	RGC 1/16C 102D TP	KMY10-16512-10281	
R420	RGC 1/16C 682D TP	KMY10-16512-68281		R634	RGC 1/16C 103D TP	KMY10-16512-10381		R818	RGC 1/16C 562D TP	KMY10-16512-56281	
R421	RGC 1/16C 682D TP	KMY10-16512-68281		R635	RGC 1/16C 103D TP	KMY10-16512-10381		R819	RGC 1/16C 562D TP	KMY10-16512-56281	
R422	RGC 1/16C 681D TP	KMY10-16512-68181		* R636				R820	RGC 1/16C 562D TP	KMY10-16512-56281	
R423	RGC 1/16C 102D TP	KMY10-16512-10281		R637	RGC 1/16C 101D TP	KMY10-16512-10181		R821	RGC 1/16C 101D TP	KMY10-16512-10181	
R424	RGC 1/16C 102D TP	KMY10-16512-10281		R638	RGC 1/16C 470D TP	KMY10-16512-47081		R822	RGC 1/16C 562D TP	KMY10-16512-56281	
R425	RGC 1/16C 102D TP	KMY10-16512-10281		R639	RGC 1/16C 333D TP	KMY10-16512-33381		R823	RGC 1/16C 562D TP	KMY10-16512-56281	
R426	RGC 1/16C 151D TP	KMY10-16512-15181		R640	RGC 1/16C 123D TP	KMY10-16512-12381		R824	RGC 1/16C 562D TP	KMY10-16512-56281	
R427	RGC 1/16C 682D TP	KMY10-16512-68281		R641	RGC 1/16C 103D TP	KMY10-16512-10381		R826	RGC 1/16C 683D TP	KMY10-16512-68381	
R428	RGC 1/16C 682D TP	KMY10-16512-68281		R642	RGC 1/16C 103D TP	KMY10-16512-10381		* R827			
R429	RGC 1/16C 682D TP	KMY10-16512-68281		R643	RGC 1/16C 472D TP	KMY10-16512-47281		R828	RGC 1/16C 104D TP	KMY10-16512-10481	
R430	RGC 1/16C 682D TP	KMY10-16512-68281		R644	RGC 1/16C 102D TP	KMY10-16512-10281		R829	RGC 1/16C 152D TP	KMY10-16512-15281	
R431	RGC 1/16C 682D TP	KMY10-16512-68281		R645	RGC 1/16C 332D TP	KMY10-16512-33281		R830	RGC 1/16C 682D TP	KMY10-16512-68281	
R432	RGC 1/16C 102D TP	KMY10-16512-10281		R646	RGC 1/16C 332D TP	KMY10-16512-33281		R831	RGC 1/16C 101D TP	KMY10-16512-10181	
R433	RGC 1/16C 332D TP	KMY10-16512-33281		R647	RGC 1/16C 152D TP	KMY10-16512-15281		R832	RGC 1/16C 222D TP	KMY10-16512-22281	
R434	RGC 1/16C 683D TP	KMY10-16512-68381		R648	RGC 1/16C 101D TP	KMY10-16512-10181		R833	RGC 1/16C 681D TP	KMY10-16512-68181	
R435	RGC 1/16C 473D TP	KMY10-16512-47381		R649	RGC 1/16C 472D TP	KMY10-16512-47281		R834	RGC 1/16C 333D TP	KMY10-16512-33381	
R436	RGC 1/16C 101D TP	KMY10-16512-10181		R650	RGC 1/16C 682D TP	KMY10-16512-68281		R835	RGC 1/16C 102D TP	KMY10-16512-10281	
R437	RGC 1/16C 103D TP	KMY10-16512-10381		R651	RGC 1/16C 682D TP	KMY10-16512-68281		R836	RGC 1/16C 101D TP	KMY10-16512-10181	
R438	RGC 1/16C 472D TP	KMY10-16512-47281		R652	RGC 1/16C 330D TP	KMY10-16512-33081		R837	RGC 1/16C 682D TP	KMY10-16512-68281	
R439	RGC 1/16C 101D TP	KMY10-16512-10181		R701	RMC 1 100F TE	KMY10-16514-10031		R838	RGC 1/16C 103D TP	KMY10-16512-10381	
R440	RGC 1/16C 103D TP	KMY10-16512-10381		R702	RMC 1 100F TE	KMY10-16514-10031		R839	RGC 1/16C 103D TP	KMY10-16512-10381	
R441	RGC 1/16C 472D TP	KMY10-16512-47281		R703	RGC 1/16C 562D TP	KMY10-16512-56281		* R840			
R442	RMC 1 100F TE	KMY10-16514-10031		R704	RGC 1/16C 682D TP	KMY10-16512-68281		R841	RGC 1/16C 470D TP	KMY10-16512-47081	
R443	RMC 1 100F TE	KMY10-16514-10031		R705	RGC 1/16C 153D TP	KMY10-16512-15381		R842	RGC 1/16C 101D TP	KMY10-16512-10181	
R501	RGC 1/16C 103D TP	KMY10-16512-10381		R706	RGC 1/16C 562D TP	KMY10-16512-56281		R843	RGC 1/16C 103D TP	KMY10-16512-10381	
R502	RGC 1/16C 103D TP	KMY10-16512-10381		R707	RGC 1/16C 562D TP	KMY10-16512-56281		R844	RGC 1/16C 103D TP	KMY10-16512-10381	
R503	RGC 1/16C 472D TP	KMY10-16512-47281		R708	RGC 1/16C 562D TP	KMY10-16512-56281		R845	RGC 1/16C 333D TP	KMY10-16512-33381	
R504	RGC 1/16C 103D TP	KMY10-16512-10381		R709	RGC 1/16C 101D TP	KMY10-16512-10181		R846	RGC 1/16C 472D TP	KMY10-16512-47281	
R505	RGC 1/16C 472D TP	KMY10-16512-47281		R710	RGC 1/16C 562D TP	KMY10-16512-56281		R847	RGC 1/16C 123D TP	KMY10-16512-12381	
R506	RGC 1/16C 472D TP	KMY10-16512-47281		R711	RGC 1/16C 562D TP	KMY10-16512-56281		R848	RGC 1/16C 102D TP	KMY10-16512-10281	
R507	RMC 1/16 220KQF	KMY10-16513-22491		R712	RGC 1/16C 562D TP	KMY10-16512-56281		R849	RGC 1/16C 332D TP	KMY10-16512-33281	
R508	RMC 1/16 220KQF	KMY10-16513-22491		R713	RGC 1/16C 472D TP	KMY10-16512-47281		R850	RGC 1/16C 332D TP	KMY10-16512-33281	
R509	RGC 1/16C 103D TP	KMY10-16512-10381		R714	RGC 1/16C 683D TP	KMY10-16512-68381		R851	RGC 1/16C 152D TP	KMY10-16512-15281	
R510	RGC 1/16C 103D TP	KMY10-16512-10381		* R715				R852	RGC 1/16C 101D TP	KMY10-16512-10181	
R511	RGC 1/16C 152D TP	KMY10-16512-15281		R716	RGC 1/16C 104D TP	KMY10-16512-10481		R853	RGC 1/16C 472D TP	KMY10-16512-47281	
R512	RGC 1/16C 222D TP	KMY10-16512-22281		R717	RGC 1/16C 152D TP	KMY10-16512-15281		R854	RGC 1/16C 682D TP	KMY10-16512-68281	
R513	RGC 1/16C 222D TP	KMY10-16512-22281		R718	RGC 1/16C 682D TP	KMY10-16512-68281		R855	RGC 1/16C 682D TP	KMY10-16512-68281	
R514	RGC 1/16C 103D TP	KMY10-16512-10381		R719	RGC 1/16C 103D TP	KMY10-16512-10381		R856	RGC 1/16C 330D TP	KMY10-16512-33081	
R515	RGC 1/16C 103D TP	KMY10-16512-10381		R720	RGC 1/16C 103D TP	KMY10-16512-10381		R857	RGC 1/16C 682D TP	KMY10-16512-68281	
R516	RGC 1/16C 223D TP	KMY10-16512-22381		R721	RGC 1/16C 101D TP	KMY10-16512-10181		R858	RGC 1/16C 102D TP	KMY10-16512-10281	
R517	RGC 1/16C 223D TP	KMY10-16512-22381		R722	RGC 1/16C 682D TP	KMY10-16512-68281		R901	RGC 1/16C 101D TP	KMY10-16512-10181	
R518	RMC 1 100F TE	KMY10-16514-10031		R723	RGC 1/16C 103D TP	KMY10-16512-10381		R902	RGC 1/16C 472D TP	KMY10-16512-47281	
R519	RMC 1 100F TE	KMY10-16514-10031		R724	RGC 1/16C 103D TP	KMY10-16512-10381		R903	RGC 1/16C 473D TP	KMY10-16512-47381	
R560	RGC 1/16C 471D TP	KMY10-16512-47181		* R725				R904	RGC 1/16C 103D TP	KMY10-16512-10381	
R601	RMC 1 100F TE	KMY10-16514-10031		R726	RGC 1/16C 101D TP	KMY10-16512-10181		R905	RGC 1/16C 103D TP	KMY10-16512-10381	
R602	RMC 1 100F TE	KMY10-16514-10031		R727	RGC 1/16C 470D TP	KMY10-16512-47081		R906	RGC 1/16C 332D TP	KMY10-16512-33281	
R603	RGC 1/16C 101D TP	KMY10-16512-10181		R728	RGC 1/16C 103D TP	KMY10-16512-10381		R907	RMC 1/16 680KQF	KMY10-16513-68491	
R604	RGC 1/16C 222D TP	KMY10-16512-22281		R729	RGC 1/16C 103D TP	KMY10-16512-10381		R908	RGC 1/16C 100D TP	KMY10-16512-10081	
R605	RGC 1/16C 101D TP	KMY10-16512-10181		R730	RGC 1/16C 472D TP	KMY10-16512-47281		R909	RGC 1/16C 472D TP	KMY10-16512-47281	
R606	RGC 1/16C 272D TP	KMY10-16512-27281		R731	RGC 1/16C 333D TP	KMY10-16512-33381		R910	RGC 1/16C 101D TP	KMY10-16512-10181	
R607	RGC 1/16C 222D TP	KMY10-16512-22281		R732	RGC 1/16C 123D TP	KMY10-16512-12381		R911	RGC 1/16C 101D TP	KMY10-16512-10181	
R608	RGC 1/16C 222D TP	KMY10-16512-22281		R733	RGC 1/16C 102D TP	KMY10-16512-10281		R912	RGC 1/16C 393D TP	KMY10-16512-39381	
R609	RGC 1/16C 222D TP	KMY10-16512-22281		R734	RGC 1/16C 332D TP	KMY10-16512-33281		R913	RGC 1/16C 333D TP	KMY10-16512-33381	
R610	RGC 1/16C 682D TP	KMY10-16512-68281		R735	RGC 1/16C 332D TP	KMY10-16512-33281		R914	RGC 1/16C 101D TP	KMY10-16512-10181	
R611	RGC 1/16C 332D TP	KMY10-16512-33281		R736	RGC 1/16C 152D TP	KMY10-16512-15281		R915	RGC 1/16C 104D TP	KMY10-16512-10481	
R612	RGC 1/16C 102D TP	KMY10-16512-10281		R737	RGC 1/16C 101D TP	KMY10-16512-10181		R916	RMC 1/16 1M0F	KMY10-16513-00591	
R613	RGC 1/16C 333D TP	KMY10-16512-33381		R738	RGC 1/16C 472D TP	KMY10-16512-47281		R917	RGC 1/16C 333D TP	KMY10-16512-33381	
R614	RGC 1/16C 562D TP	KMY10-16512-56281		R739	RGC 1/16C 682D TP	KMY10-16512-68281		R918	RGC 1/16C 101D TP	KMY10-16512-10181	
R615	RGC 1/16C 562D TP	KMY10-16512-56281		R740	RGC 1/16C 682D TP	KMY10-16512-68281		R919	RGC 1/16C 101D TP	KMY10-16512-10181	
R616	RGC 1/16C 562D TP	KMY10-16512-56281		R741	RGC 1/16C 330D TP	KMY10-16512-33081		R920	RGC 1/16C 101D TP	KMY10-16512-10181	
R617	RGC 1/16C 101D TP	KMY10-16512-10181		R801	RMC 1 100F TE	KMY10-16514-10031		R921	RGC 1/16C 103D TP	KMY10-16512-10381	
R618	RGC 1/16C 562D TP	KMY10-16512-56281		R802	RMC 1 100F TE	KMY10-16514-10031		R922	RGC 1/16C 103D TP	KMY10-16512-10381	
R619	RGC 1/16C 562D TP	KMY10-16512-56281		R803	RGC 1/16C 101D TP	KMY10-16512-10181		R923	RGC 1/16C 103D TP	KMY10-16512-10381	
R620	RGC 1/16C 562D TP	KMY10-16512-56281		R804	RGC 1/16C 222D TP	KMY10-16512-22281		R924	RGC 1/16C 103D TP	KMY10-16512-10381	
R621	RGC 1/16C 472D TP	KMY10-16512-47281		R805	RGC 1/16C 101D TP	KMY10-16512-10181		R928	RGC 1/16C 101D TP	KMY10-16512-10181	
R622	RGC 1/16C 683D TP	KMY10-16512-68381		R806	RGC 1/16C 222D TP	KMY10-16512-22281		R929	RGC 1/16C 101D TP	KMY10-16512-10181	
R623	RGC 1/16C 152D TP	KMY10-16512-15281		R807	RGC 1/16C 222D TP	KMY10-16512-22281		R930	RGC 1/16C 101D TP	KMY10-16512-10181	
* R624				R808	RGC 1/16C 222D TP	KMY10-16512-22281		R931	RGC 1/16C 103D TP	KMY10-16512-10381	
R625	RGC 1/16C 104D TP	KMY10-16512-10481		R809	RGC 1/16C 272D TP	KMY10-16512-27281		R932	RGC 1/16C 272D TP	KMY10-16512-27281	
R626	RGC 1/16C 682D TP	KMY10-16512-68281		R810	RGC 1/16C 682D TP	KMY10-16512-68281		R933	RGC 1/16C 222D TP	KMY10-16512-22281	
R627	RGC 1/16C 332D TP	KMY10-16512-33281		R811	RGC 1/16C 221D TP	KMY10-16512-22181		* R934			



99057-15350 PP-905735 10 0010			99057-15350 PP-905735 11 0010			99057-15350 PP-905735 12 0010		
NO.	DESCRIPTION	MFD.PARTS-CODE	NO.	DESCRIPTION	MFD.PARTS-CODE	NO.	DESCRIPTION	MFD.PARTS-CODE
R935	RGC 1/16C 221D TP	KMY10-16512-22181	C 9	GRM39 B 104K 16PT	MUR10-26184-10416	C311	CM21CH 270J 50VA T L1	KYC 10-26061-27025
* R936			C 10	UWX 1C 101MCR1GB	NCI 10-26601-10716			NCH 10-26368-10616
R937	RMC 1/16 JP	KMY10-16513-00000	C 11	CM21CH 150J 50VA T E1	KYC 10-26061-15025	C312	MVJ 16VC 10 D60	MUR10-26184-10416
R938	RGC 1/16C 472D TP	KMY10-16512-47281			MAT 10-20135-10616	C313	GRM39 B 104K 16PT	MUR10-26183-47325
R939	RGC 1/16C 102D TP	KMY10-16512-10281	C 12	ECEA 1CSN100	KYC 10-26061-06825	C314	GRM40 B 473K 25PT	MUR10-26183-47325
R943	RGC 1/16C 101D TP	KMY10-16512-10181	C 13	CM21CH 6R8C 50VA T W0	MUR10-26184-10416	C315	GRM40 B 473K 25PT	MUR10-26183-47325
R948	RGC 1/16C 472D TP	KMY10-16512-47281			MAT 10-20135-10616	C316	GRM40 B 473K 25PT	MUR10-26183-47325
R949	RGC 1/16C 102D TP	KMY10-16512-10281	C 14	GRM39 B 104K 16PT	MUR10-26184-10416	C317	MVJ 16VC 10 D60	NCH 10-26368-10616
R950	RGC 1/16C 102D TP	KMY10-16512-10281	C 15	GRM39 B 104K 16PT	MUR10-26184-10416	C318	GRM39 B 104K 16PT	MUR10-26184-10416
R951	RGC 1/16C 104D TP	KMY10-16512-10481	C 31	CM21CH 150J 50VA T E1	KYC 10-26061-15025	C319	GRM39 B 104K 16PT	MUR10-26184-10416
R952	RGC 1/16C 103D TP	KMY10-16512-10381			MAT 10-20135-10616	C320	GRM39 B 104K 16PT	MUR10-26184-10416
R953	RGC 1/16C 103D TP	KMY10-16512-10381	C 32	ECEA 1CSN100	KYC 10-26061-06825	C321	UWX 1C 101MCR1GB	NCI 10-26601-10716
R954	RGC 1/16C 471D TP	KMY10-16512-47181	C 33	CM21CH 6R8C 50VA T W0	MUR10-26184-10416	C322	UWX 1C 101MCR1GB	NCI 10-26601-10716
R955	RGC 1/16C 332D TP	KMY10-16512-33281			MAT 10-20135-10616	C323	GRM39 B 104K 16PT	MUR10-26184-10416
R956	RMC 1 100F TE	KMY10-16514-10031	C 34	GRM39 B 104K 16PT	MUR10-26184-10416	C324	UWX 1C 101MCR1GB	NCI 10-26601-10716
R957	RMC 1 100F TE	KMY10-16514-10031	C 35	GRM39 B 104K 16PT	MUR10-26184-10416	C401	GRM39 B 104K 16PT	MUR10-26184-10416
R958	RGC 1/16C 101D TP	KMY10-16512-10181	C 36	GRM39 B 104K 16PT	MUR10-26184-10416	C402	GRM39 B 104K 16PT	MUR10-26184-10416
R959	RGC 1/16C 101D TP	KMY10-16512-10181	C 51	CM21CH 150J 50VA T E1	KYC 10-26061-15025	C403	GRM39 B 104K 16PT	MUR10-26184-10416
R960	RGC 1/16C 101D TP	KMY10-16512-10181			MAT 10-20135-10616	C404	UWX 1C 101MCR1GB	NCI 10-26601-10716
R961	RGC 1/16C 101D TP	KMY10-16512-10181	C 52	ECEA 1CSN100	KYC 10-26061-06825	C405	CM21CH 6R8C 50VA T W0	KYC 10-26061-06825
R962	RGC 1/16C 101D TP	KMY10-16512-10181	C 53	CM21CH 6R8C 50VA T W0	MUR10-26184-10416	C406	GRM40 B 473K 25PT	MUR10-26183-47325
R963	RGC 1/16C 101D TP	KMY10-16512-10181			MAT 10-20135-10616	C407	CM21CH 220J 50VA T J1	KYC 10-26061-22025
R964	RGC 1/16C 101D TP	KMY10-16512-10181	C 54	GRM39 B 104K 16PT	MUR10-26184-10416			
R965	RGC 1/16C 473D TP	KMY10-16512-47381	C 55	GRM39 B 104K 16PT	MUR10-26184-10416	C408	CM21CH 470J 50VA T S1	KYC 10-26061-47025
R966	RGC 1/16C 473D TP	KMY10-16512-47381	C 56	GRM39 B 104K 16PT	MUR10-26184-10416			
R967	RGC 1/16C 473D TP	KMY10-16512-47381	C 71	ECEA 1CSN100	MAT 10-20135-10616	C409	CM21CH 270J 50VA T L1	KYC 10-26061-27025
R968	RGC 1/16C 102D TP	KMY10-16512-10281	* C 72	GRM39 B 104K 16PT	MUR10-26184-10416	C410	MVJ 16VC 10 D60	NCH 10-26368-10616
R969	RGC 1/16C 103D TP	KMY10-16512-10381	C 73	GRM39 B 104K 16PT	MUR10-26184-10416	C411	GRM39 B 104K 16PT	MUR10-26184-10416
R970	RGC 1/16C 333D TP	KMY10-16512-33381	C 74	GRM39 B 104K 16PT	MUR10-26184-10416	C412	GRM40 B 473K 25PT	MUR10-26183-47325
R971	RGC 1/16C 472D TP	KMY10-16512-47281	C 75	GRM39 B 104K 16PT	MUR10-26184-10416	C413	GRM39 B 104K 16PT	MUR10-26184-10416
R972	RMC 1/16 220KQF	KMY10-16513-22491	C101	UWX 1C 101MCR1GB	NCI 10-26601-10716	C414	GRM39 B 104K 16PT	MUR10-26184-10416
			C102	MVJ 16VC 10 D60	NCH 10-26368-10616	C415	GRM39 B 104K 16PT	MUR10-26184-10416
VR101	ST-4B 1000Ω	CPL 10-16542-10200	C103	GRM39 B 104K 16PT	MUR10-26184-10416	C416	UWX 1C 101MCR1GB	NCI 10-26601-10716
VR102	ST-4B 1000Ω	CPL 10-16542-10200	* C104	GRM39 B 104K 16PT	MUR10-26184-10416	C417	UWX 1C 101MCR1GB	NCI 10-26601-10716
VR103	ST-4B 1000Ω	CPL 10-16542-10200	C105	MVJ 16VC 10 D60	NCH 10-26368-10616	C418	GRM39 B 104K 16PT	MUR10-26184-10416
VR201	ST-4B 100KΩ	CPL 10-16542-10400	C106	GRM39 B 104K 16PT	MUR10-26184-10416	C419	UWX 1C 101MCR1GB	NCI 10-26601-10716
VR202	ST-4B 5000Ω	CPL 10-16542-50200	C107	UWX 1C 101MCR1GB	NCI 10-26601-10716	C501	GRM40 B 473K 25PT	MUR10-26183-47325
VR203	GF-06V 100Ω	COS 10-15195-10100	C108	MVJ 16VC 10 D60	NCH 10-26368-10616	C502	GRM40 B 473K 25PT	MUR10-26183-47325
VR301	ST-4B 100KΩ	CPL 10-16542-10400	C109	GRM39 B 104K 16PT	MUR10-26184-10416	C503	GRM39 B 104K 16PT	MUR10-26184-10416
VR302	ST-4B 5000Ω	CPL 10-16542-50200	C201	GRM39 B 104K 16PT	MUR10-26184-10416	C504	UWX 1C 101MCR1GB	NCI 10-26601-10716
* VR303			C202	GRM39 B 104K 16PT	MUR10-26184-10416	C505	GRM39 B 104K 16PT	MUR10-26184-10416
VR304	ST-4B 100Ω	CPL 10-16542-10100	C203	GRM39 B 104K 16PT	MUR10-26184-10416	C506	UWX 1C 101MCR1GB	NCI 10-26601-10716
VR305	ST-4B 50KΩ	CPL 10-16542-50300	C204	UWX 1C 101MCR1GB	NCI 10-26601-10716	C601	UWX 1C 101MCR1GB	NCI 10-26601-10716
VR306	ST-4B 500Ω	CPL 10-16542-50100	C205	CM21CH 6R8C 50VA T W0	KYC 10-26061-06825	C602	GRM39 B 104K 16PT	MUR10-26184-10416
VR401	ST-4B 100KΩ	CPL 10-16542-10400			MAT 10-20135-10616	C603	UWX 1C 101MCR1GB	NCI 10-26601-10716
VR402	ST-4B 5000Ω	CPL 10-16542-50200	C206	GRM40 B 473K 25PT	MUR10-26183-47325	C604	GRM39 B 104K 16PT	MUR10-26184-10416
VR403	GF-06V 100Ω	COS 10-15195-10100	C207	CM21CH 220J 50VA T J1	KYC 10-26061-22025	C605	MVJ 25VC 33 F60	NCH 10-26368-33625
VR501	ST-4B 10KΩ	CPL 10-16542-10300			MAT 10-20135-10616	C606	MVJ 16VC 10 D60	NCH 10-26368-10616
VR502	ST-4B 5000Ω	CPL 10-16542-50200	C208	CM21CH 470J 50VA T S1	KYC 10-26061-47025	C607	GRM40B 474K16PT	MUR10-26183-47416
VR503	ST-4B 100KΩ	CPL 10-16542-10400			MAT 10-20135-10616	C608	GRM40 B 473K 25PT	MUR10-26183-47325
VR504	ST-4B 100KΩ	CPL 10-16542-10400	C209	CM21CH 270J 50VA T L1	KYC 10-26061-27025	C609	MVJ 16VC 10 D60	NCH 10-26368-10616
VR601	ST-4B 10KΩ	CPL 10-16542-10300			MAT 10-20135-10616	C610	MVJ 16VC 10 D60	NCH 10-26368-10616
VR602	ST-4B 5000Ω	CPL 10-16542-50200	C210	MVJ 16VC 10 D60	NCH 10-26368-10616	C611	MVJ 16VC 10 D60	NCH 10-26368-10616
VR603	ST-4B 10KΩ	CPL 10-16542-10300	C211	GRM39 B 104K 16PT	MUR10-26184-10416	C612	GRM39 B 104K 16PT	MUR10-26184-10416
VR604	ST-4B 5000Ω	CPL 10-16542-50200	C212	GRM40 B 473K 25PT	MUR10-26183-47325	C613	GRM40 B 473K 25PT	MUR10-26183-47325
VR605	ST-4B 5000Ω	CPL 10-16542-50200	C213	ECEA 1HSN010	MAT 10-20135-10550	C614	GRM40B 474K16PT	MUR10-26183-47416
VR701	ST-4B 50KΩ	CPL 10-16542-50300	C214	GRM39 B 104K 16PT	MUR10-26184-10416	C615	GRM40 B 473K 25PT	MUR10-26183-47325
VR702	ST-4B 5000Ω	CPL 10-16542-50200	C215	GRM39 B 104K 16PT	MUR10-26184-10416	C616	GRM40 B 473K 25PT	MUR10-26183-47325
VR703	ST-4B 5000Ω	CPL 10-16542-50200	C216	GRM39 B 104K 16PT	MUR10-26184-10416	C617	GRM39 B 104K 16PT	MUR10-26184-10416
VR704	ST-4B 100KΩ	CPL 10-16542-10400	C217	UWX 1C 101MCR1GB	NCI 10-26601-10716	C701	UWX 1C 101MCR1GB	NCI 10-26601-10716
VR705	ST-4B 5000Ω	CPL 10-16542-50200	C218	UWX 1C 101MCR1GB	NCI 10-26601-10716	C702	GRM39 B 104K 16PT	MUR10-26184-10416
VR706	ST-4B 5000Ω	CPL 10-16542-50200	C219	GRM39 B 104K 16PT	MUR10-26184-10416	C703	UWX 1C 101MCR1GB	NCI 10-26601-10716
VR801	ST-4B 50KΩ	CPL 10-16542-50300	C220	UWX 1C 101MCR1GB	NCI 10-26601-10716	C704	GRM39 B 104K 16PT	MUR10-26184-10416
VR802	ST-4B 2000Ω	CPL 10-16542-20200	C301	GRM39 B 104K 16PT	MUR10-26184-10416	C705	MVJ 16VC 10 D60	NCH 10-26368-10616
VR803	ST-4B 5000Ω	CPL 10-16542-50200	C302	GRM39 B 104K 16PT	MUR10-26184-10416	C706	MVJ 16VC 10 D60	NCH 10-26368-10616
VR804	ST-4B 5000Ω	CPL 10-16542-50200	C303	GRM39 B 104K 16PT	MUR10-26184-10416	C707	GRM40B 474K16PT	MUR10-26183-47416
			C304	UWX 1C 101MCR1GB	NCI 10-26601-10716	C708	GRM40 B 473K 25PT	MUR10-26183-47325
< CAPACITORS >			* C305			C709	MVJ 16VC 10 D60	NCH 10-26368-10616
C 1	10SA100M	SYO 10-75000-04650	C306	CM21CH 6R8C 50VA T W0	KYC 10-26061-06825	C710	GRM39 B 104K 16PT	MUR10-26184-10416
C 2	GRM39 B 104K 16PT	MUR10-26184-10416			MAT 10-20135-10616	C711	GRM40 B 473K 25PT	MUR10-26183-47325
C 3	UWX 1C 101MCR1GB	NCI 10-26601-10716	C307	GRM40 B 473K 25PT	MUR10-26183-47325	C712	GRM39 B 104K 16PT	MUR10-26184-10416
C 4	GRM39 B 104K 16PT	MUR10-26184-10416	C308	CM21CH 220J 50VA T J1	KYC 10-26061-22025	C713	GRM40B 474K16PT	MUR10-26183-47416
C 5	UWX 1C 101MCR1GB	NCI 10-26601-10716			MAT 10-20135-10616	C714	GRM40 B 473K 25PT	MUR10-26183-47325
C 6	GRM39 B 104K 16PT	MUR10-26184-10416	C309	CM21CH 101J 50VA T A2	KYC 10-26061-10125	C715	GRM40 B 473K 25PT	MUR10-26183-47325
C 7	GRM39 B 104K 16PT	MUR10-26184-10416			MAT 10-20135-10616	C801	UWX 1C 101MCR1GB	NCI 10-26601-10716
C 8	UWX 1C 101MCR1GB	NCI 10-26601-10716	C310	CM21CH 470J 50VA T S1	KYC 10-26061-47025			

11.PARTS LIST 11-19  
**(6) DECODER (N) BOARD**  
**• DECODER (N) BOARD**

99057-15350 PP-905735 13 0010	99057-15350 PP-905735 14 0010	99056-15980 PP-905698 01 0010
NO. DESCRIPTION MFD.PARTS-CODE	NO. DESCRIPTION MFD.PARTS-CODE	NO. DESCRIPTION MFD.PARTS-CODE
C802 GRM39 B 104K 16PT MUR 10-26184-10416	CN210 HIF3FC-20PA-2.54DSA HIR 10-30164-08200	<b>&lt; INTEGRATED CIRCUITS &gt;</b> IC 1 TL062CPS TEX 10-04574-00200 IC 2 AN7808F MAT 10-01004-07804 SP113K MIZ 10-55522-01130 IC 3 NJU3718G JRC 10-04395-00011 IC101 TC4W53FU TOS 10-04572-09531 IC102 AD8011AR AND 10-04001-08010 IC103 TC4W53FU TOS 10-04572-09531 IC104 AD9050BRS AND 10-04001-09050 IC105 TC74VHC574FT TOS 10-04572-00035 IC106 TC74VHC574FT TOS 10-04572-00035 IC107 CXK1203AR-T4 SON 10-04071-01202 IC108 TC74VHC574FT TOS 10-04071-02035 IC109 TC74VHC574FT TOS 10-04572-00035 IC110 CXK1203AR-T4 SON 10-04071-01202 IC111 CXK1203AR-T4 SON 10-04071-01202 IC112 CXK1203AR-T4 SON 10-04071-01202 IC113 TC74VHC157FS TOS 10-04572-13485 IC114 TC74VHC157FS TOS 10-04572-13485 IC115 TC74VHC157FS TOS 10-04572-13485 IC116 TC74VHC157FS TOS 10-04572-13485 IC117 TC74VHC157FS TOS 10-04572-13485 IC118 TC74VHC157FS TOS 10-04572-13485 IC119 CXD2315Q SON 10-04070-02350 IC120 CXD2315Q SON 10-04070-02350 IC121 NJM360M JRC 10-04392-00360 IC122 W42C70-01G-E1 ICW 10-04662-00010 IC123 TC74VHC04FT TOS 10-04572-00056 IC124 TC74VHC04FT TOS 10-04572-00056 IC125 TC74VHC04FT TOS 10-04572-00056 IC126 UPD4053BG NEC 10-04784-03000 IC201 MC1495D MOT 10-04363-00910 IC202 TL062CPS TEX 10-04574-00200 IC203 UPD4053BG NEC 10-04784-03000 IC204 NJM2334M JRC 10-04392-00210 IC205 UPD4053BG NEC 10-04784-03000 IC401 NJM1496M JRC 10-04392-00100 IC402 NJM1496M JRC 10-04392-00100 IC403 TC74HC4538AF TOS 10-04572-11790 IC404 TC74HC4538AF TOS 10-04572-11790 IC501 UPD4053BG NEC 10-04784-03000 IC502 TL062CPS TEX 10-04574-00200 IC503 MC1495D MOT 10-04363-00910 IC504 TL062CPS TEX 10-04574-00200 IC505 TL062CPS TEX 10-04574-00200 IC506 LM318PS TEX 10-04332-00180
C803 UWX IC 101MCR1GB NCI 10-26601-10716	CN225 IL-S-12P-S2T2-EF JAE 10-30183-05700	
C804 GRM39 B 104K 16PT MUR 10-26184-10416	CN301 PS-10PE-D4T1-PN1 JAE 10-30336-00108	
C805 MVJ 25VC 33 F60 NCH 10-26368-33625		
C806 MVJ 16VC 10 D60 NCH 10-26368-10616	CM901 BCJ-FPLV01 KND 10-31014-00110 BN6003 KND 10-31014-00011	
C807 MVJ 16VC 10 D60 NCH 10-26368-10616	CM902 BCJ-FPLV01 KND 10-31014-00110 BN6003 KND 10-31014-00011	
C808 GRM40B 474K16PT MUR 10-26183-47416	CM903 BCJ-FPLV01 KND 10-31014-00110 BN6003 KND 10-31014-00011	
C809 GRM40 B 473K 25PT MUR 10-26183-47325	CM904 BCJ-FPLV01 KND 10-31014-00110 BN6003 KND 10-31014-00011	
C810 GRM40 B 473K 25PT MUR 10-26183-47325	CM905 BCJ-FPLV01 KND 10-31014-00110 BN6003 KND 10-31014-00011	
C811 MVJ 16VC 10 D60 NCH 10-26368-10616	CM906 BCJ-FPLV01 KND 10-31014-00110 BN6003 KND 10-31014-00011	
C812 GRM39 B 104K 16PT MUR 10-26184-10416	CM907 BCJ-FPLV01 KND 10-31014-00110 BN6003 KND 10-31014-00011	
C813 GRM40 B 473K 25PT MUR 10-26183-47325	CM908 BCJ-FPLV01 KND 10-31014-00110 BN6003 KND 10-31014-00011	
C814 GRM40B 474K16PT MUR 10-26183-47416		
C815 GRM40 B 473K 25PT MUR 10-26183-47325		
C816 GRM40 B 473K 25PT MUR 10-26183-47325		
C817 GRM39 B 104K 16PT MUR 10-26184-10416		
C901 MVJ 16VC 10 D60 NCH 10-26368-10616		
C902 GRM39 B 104K 16PT MUR 10-26184-10416		
C903 GRM39 B 104K 16PT MUR 10-26184-10416		
C904 GRM39 B 104K 16PT MUR 10-26184-10416		
C905 MVJ 16VC 10 D60 NCH 10-26368-10616		
C906 CM21CH 221J 50VA T J2 KYC 10-26061-22125	<b>&lt; TEST POLES &gt;</b> TP 1 EYF6CU MAT 10-39520-00600 TP101 EYF6CU MAT 10-39520-00600 TP102 EYF6CU MAT 10-39520-00600 TP103 EYF6CU MAT 10-39520-00600 TP104 EYF6CU MAT 10-39520-00600 TP201 EYF6CU MAT 10-39520-00600 TP202 EYF6CU MAT 10-39520-00600 TP203 EYF6CU MAT 10-39520-00600 TP204 EYF6CU MAT 10-39520-00600 TP205 EYF6CU MAT 10-39520-00600 TP301 EYF6CU MAT 10-39520-00600 TP302 EYF6CU MAT 10-39520-00600 TP303 EYF6CU MAT 10-39520-00600 TP304 EYF6CU MAT 10-39520-00600 TP305 EYF6CU MAT 10-39520-00600 TP306 EYF6CU MAT 10-39520-00600 TP401 EYF6CU MAT 10-39520-00600 TP402 EYF6CU MAT 10-39520-00600 TP403 EYF6CU MAT 10-39520-00600 TP404 EYF6CU MAT 10-39520-00600 TP405 EYF6CU MAT 10-39520-00600 TP501 EYF6CU MAT 10-39520-00600 TP601 EYF6CU MAT 10-39520-00600 TP602 EYF6CU MAT 10-39520-00600 TP701 EYF6CU MAT 10-39520-00600 TP702 EYF6CU MAT 10-39520-00600 TP801 EYF6CU MAT 10-39520-00600 TP802 EYF6CU MAT 10-39520-00600 TP901 EYF6CU MAT 10-39520-00600 TP903 EYF6CU MAT 10-39520-00600 TP904 EYF6CU MAT 10-39520-00600 TP905 EYF6CU MAT 10-39520-00600 TP906 EYF6CU MAT 10-39520-00600 TP907 EYF6CU MAT 10-39520-00600 TP908 EYF6CU MAT 10-39520-00600 TP909 EYF6CU MAT 10-39520-00600 TP910 EYF6CU MAT 10-39520-00600 TP911 EYF6CU MAT 10-39520-00600 TP912 EYF6CU MAT 10-39520-00600 TP913 EYF6CU MAT 10-39520-00600 TP914 EYF6CU MAT 10-39520-00600 TP915 EYF6CU MAT 10-39520-00600	
C907 CM21CH 470J 50VA T S1 KYC 10-26061-47025		
C908 GRM39 B 104K 16PT MUR 10-26184-10416		
C909 CM21CH 102J 50VA T A3 KYC 10-26061-10225		
C910 CM21CH 101J 50VA T A2 KYC 10-26061-10125		
C911 CM21CH 101J 50VA T A2 KYC 10-26061-10125		
C912 GRM39 B 104K 16PT MUR 10-26184-10416		
C913 GRM39 B 104K 16PT MUR 10-26184-10416		
C914 GRM39 B 104K 16PT MUR 10-26184-10416		
C915 GRM39 B 104K 16PT MUR 10-26184-10416		
C916 GRM39 B 104K 16PT MUR 10-26184-10416		
C917 GRM39 B 104K 16PT MUR 10-26184-10416		
C918 GRM39 B 104K 16PT MUR 10-26184-10416		
C919 GRM39 B 104K 16PT MUR 10-26184-10416		
C920 GRM39 B 104K 16PT MUR 10-26184-10416		
C921		
C922		
C923		
C924 GRM39 B 104K 16PT MUR 10-26184-10416		
C925 GRM39 B 104K 16PT MUR 10-26184-10416		
C926 GRM39 B 104K 16PT MUR 10-26184-10416		
C927 GRM39 B 104K 16PT MUR 10-26184-10416		
C928 MVJ 16VC 10 D60 NCH 10-26368-10616		
C929 GRM39 B 104K 16PT MUR 10-26184-10416		
C930 GRM39 B 104K 16PT MUR 10-26184-10416		
C931 GRM39 B 104K 16PT MUR 10-26184-10416		
C932 GRM39 B 104K 16PT MUR 10-26184-10416		
C933 GRM39 B 104K 16PT MUR 10-26184-10416		
C934 267M 3502 224MR NCC 10-26821-22435		
C935 GRM39 B 103K 50PT MUR 10-26186-10350		
C936 267M 1602 105MR NCC 10-26821-10516		
C937 GRM39 B 104K 16PT MUR 10-26184-10416		
C938 MVJ 16VC 10 D60 NCH 10-26368-10616		
C939 267M 1602 105MR NCC 10-26821-10516		
C940 267M 1602 105MR NCC 10-26821-10516		
C941 GRM39 B 104K 16PT MUR 10-26184-10416		
C942 MVJ 16VC 47 F60 NCH 10-26368-47616		
C943 GRM39 B 104K 16PT MUR 10-26184-10416		
C944 MVJ 16VC 47 F60 NCH 10-26368-47616		
C955 CM21CH 221J 50VA T J2 KYC 10-26061-22125		
C956 MVJ 50VC I D60 NCH 10-26368-10550		
<b>&lt; INDUCTANCE COILS &gt;</b> L 1 TSL0707-101KR66 TDK 10-40586-00103 L901 BLM21A601SPT MUR 10-39405-00200 L902 BLM41A800SPT MUR 10-39405-00400 L903 BLM21A601SPT MUR 10-39405-00200		
<b>&lt; CONNECTORS &gt;</b> CN 9 PCN12A-64P-2.54DS HIR 10-30333-00024		
		<b>&lt; TRANSISTORS &gt;</b> TR 1 2SC4409 TOS 10-05824-03509 TR 2 2SC4409 TOS 10-05824-03509 TR 3 2SC4154 T11 MIT 10-05824-03210 TR 4 2SC4154 T11 MIT 10-05824-03210 TR 5 2SC4154 T11 MIT 10-05824-03210 TR 6 2SA1602 T-11-1F MIT 10-05822-13020 TR 7 2SC3398 SYO 10-05824-02400 TR 8 2SC4154 T11 MIT 10-05824-03210 TR 9 2SC4154 T11 MIT 10-05824-03210 TR 10 2SC4154 T11 MIT 10-05824-03210 TR 11 2SC4154 T11 MIT 10-05824-03210 TR 12 2SA1602 T-11-1F MIT 10-05822-13020 TR 13 2SC3398 SYO 10-05824-02400 TR 14 2SC4154 T11 MIT 10-05824-03210 TR 15 2SC4154 T11 MIT 10-05824-03210 TR 16 2SC4154 T11 MIT 10-05824-03210 TR 17 2SA1602 T-11-1F MIT 10-05822-13020 TR 18 2SC3398 SYO 10-05824-02400 TR101 2SC3398 SYO 10-05824-02400 TR102 2SC4154 T11 MIT 10-05824-03210 TR103 2SC4154 T11 MIT 10-05824-03210 TR104 2SC4154 T11 MIT 10-05824-03210 TR105 2SA1602 T-11-1F MIT 10-05822-13020 TR106 2SC3735-B35 NEC 10-05824-02840 TR107 2SC4154 T11 MIT 10-05824-03210 TR108 2SC4154 T11 MIT 10-05824-03210 TR109 2SC4154 T11 MIT 10-05824-03210

99056-15980 PP-905698 02 0010			99056-15980 PP-905698 03 0010			99056-15980 PP-905698 04 0010		
NO.	DESCRIPTION	MFD.PARTS-CODE	NO.	DESCRIPTION	MFD.PARTS-CODE	NO.	DESCRIPTION	MFD.PARTS-CODE
TR110	2SC4154 T11	MIT 10-05824-03210	TR521	2SA1461-Y24	NEC 10-05822-11100	R 43	RGC 1/16C 473D TP	KMY10-16512-47381
TR111	2SC4154 T11	MIT 10-05824-03210	TR522	2SC4154 T11	MIT 10-05824-03210	R 44	RGC 1/16C 101D TP	KMY10-16512-10181
TR113	2SC4154 T11	MIT 10-05824-03210	TR523	2SC3735-B35	NEC 10-05824-02840	R 45	RGC 1/16C 122D TP	KMY10-16512-12281
TR114	2SC3398	SYO 10-05824-02400	TR524	2SA1461-Y24	NEC 10-05822-11100	R 46	RGC 1/16C 122D TP	KMY10-16512-12281
TR201	2SC4154 T11	MIT 10-05824-03210	TR525	2SC4154 T11	MIT 10-05824-03210	R 47	RGC 1/16C 682D TP	KMY10-16512-68281
TR202	2SC4154 T11	MIT 10-05824-03210	TR526	2SC4154 T11	MIT 10-05824-03210	R 48	RGC 1/16C 122D TP	KMY10-16512-12281
TR203	2SC4154 T11	MIT 10-05824-03210	TR527	2SA1461-Y24	NEC 10-05822-11100	R 49	RGC 1/16C 121D TP	KMY10-16512-12181
TR204	2SC3734-B24	NEC 10-05824-02830	TR528	2SC4154 T11	MIT 10-05824-03210	R 50	RGC 1/16C 331D TP	KMY10-16512-33181
TR205	2SA1461-Y24	NEC 10-05822-11100	TR529	2SC3398	SYO 10-05824-02400	R 51	RGC 1/16C 682D TP	KMY10-16512-68281
TR206	2SC4154 T11	MIT 10-05824-03210				R 52	RGC 1/16C 122D TP	KMY10-16512-12281
TR207	2SC4154 T11	MIT 10-05824-03210	< DIODES >			R 53	RGC 1/16C 121D TP	KMY10-16512-12181
TR208	2SC4154 T11	MIT 10-05824-03210				R 54	RGC 1/16C 331D TP	KMY10-16512-33181
TR209	2SC4154 T11	MIT 10-05824-03210	D 1	IS2838-A6	NEC 10-06812-03500	R 55	RGC 1/16C 471D TP	KMY10-16512-47181
TR210	2SC4154 T11	MIT 10-05824-03210	D 2	IS2838-A6	NEC 10-06812-03500	R 56	RGC 1/16C 103D TP	KMY10-16512-10381
TR211	2SC4154 T11	MIT 10-05824-03210	D 3	IS2838-A6	NEC 10-06812-03500	R 57	RGC 1/16C 183D TP	KMY10-16512-18381
TR212	2SC4154 T11	MIT 10-05824-03210	D 4	ISS123-A7	NEC 10-06813-00600	R 58	RGC 1/16C 473D TP	KMY10-16512-47381
TR213	2SA1461-Y24	NEC 10-05822-11100	D 5	ISS123-A7	NEC 10-06813-00600	R 59	RGC 1/16C 101D TP	KMY10-16512-10181
TR214	2SA1461-Y24	NEC 10-05822-11100	D 6	ISS123-A7	NEC 10-06813-00600	R 60	RGC 1/16C 122D TP	KMY10-16512-12281
TR215	2SC4154 T11	MIT 10-05824-03210	D101	ISS123-A7	NEC 10-06813-00600	R 61	RGC 1/16C 122D TP	KMY10-16512-12281
TR216	2SC4154 T11	MIT 10-05824-03210	D102	RDSR1MB	NEC 10-06513-01300	R 62	RGC 1/16C 103D TP	KMY10-16512-10381
TR217	XN6501-TX	MAT 10-05691-06500	D103	RDSR1MB	NEC 10-06513-01300	R 63	RGC 1/16C 101D TP	KMY10-16512-10181
TR218	2SA1461-Y24	NEC 10-05822-11100	D104	RDSR1MB	NEC 10-06513-01300	R 64	RGC 1/16C 101D TP	KMY10-16512-10181
TR219	XN6501-TX	MAT 10-05691-06500	D201	ISS123-A7	NEC 10-06813-00600	R 65	RGC 1/16C 101D TP	KMY10-16512-10181
TR220	2SA1602 T-11-1F	MIT 10-05822-13020	D202	IS2836-A4	NEC 10-06812-03400	R101	RGC 1/16C 101D TP	KMY10-16512-10181
TR221	2SC4154 T11	MIT 10-05824-03210	D203	RD3R0MB	NEC 10-06513-00500	R102	RGC 1/16C 101D TP	KMY10-16512-10181
TR222	XN6501-TX	MAT 10-05691-06500	D204	RD3R0MB	NEC 10-06513-00500	R103	RGC 1/16C 333D TP	KMY10-16512-33381
TR223	2SA1461-Y24	NEC 10-05822-11100	D401	ISV217 TPH3	TOS 10-06814-00011	R106	RGC 1/16C 222D TP	KMY10-16512-22281
TR224	XN6501-TX	MAT 10-05691-06500	D402	IS2836-A4	NEC 10-06812-03400	R107	RGC 1/16C 102D TP	KMY10-16512-10281
TR225	2SA1602 T-11-1F	MIT 10-05822-13020	D502	IS2836-A4	NEC 10-06812-03400	R108	RGC 1/16C 472D TP	KMY10-16512-47281
TR226	2SA1461-Y24	NEC 10-05822-11100	D503	IS2836-A4	NEC 10-06812-03400	R109	RGC 1/16C 471D TP	KMY10-16512-47181
TR227	2SC4154 T11	MIT 10-05824-03210	D504	IS2836-A4	NEC 10-06812-03400	R110	RMC 1/16 JP	KMY10-16513-00000
TR228	2SC4154 T11	MIT 10-05824-03210	D505	IS2836-A4	NEC 10-06812-03400	R111	RGC 1/16C 181D TP	KMY10-16512-18181
TR229	2SC3398	SYO 10-05824-02400	< RESISTORS >			R112	RGC 1/16C 152D TP	KMY10-16512-15281
TR230	2SC3735-B35	NEC 10-05824-02840	R 1	RGC 1/16C 152D TP	KMY10-16512-15281	R113	RGC 1/16C 333D TP	KMY10-16512-33381
TR231	2SC4154 T11	MIT 10-05824-03210	R 2	RGC 1/16C 102D TP	KMY10-16512-10281	R114	RGC 1/16C 562D TP	KMY10-16512-56281
TR232	2SC4154 T11	MIT 10-05824-03210	R 3	RGC 1/16C 473D TP	KMY10-16512-47381	R115	RGC 1/16C 101D TP	KMY10-16512-10181
TR233	2SC4154 T11	MIT 10-05824-03210	R 4	RGC 1/16C 333D TP	KMY10-16512-33381	* R116		
TR234	2SC4154 T11	MIT 10-05824-03210	R 5	RGC 1/16C 152D TP	KMY10-16512-15281	R117	RGC 1/16C 333D TP	KMY10-16512-33381
TR235	2SC4154 T11	MIT 10-05824-03210	R 6	RGC 1/16C 102D TP	KMY10-16512-10281	R118	RGC 1/16C 472D TP	KMY10-16512-47281
TR236	2SC4154 T11	MIT 10-05824-03210	R 7	RGC 1/16C 333D TP	KMY10-16512-33381	R119	RGC 1/16C 332D TP	KMY10-16512-33281
TR237	2SC4154 T11	MIT 10-05824-03210	R 8	RGC 1/16C 123D TP	KMY10-16512-12381	R120	RGC 1/16C 332D TP	KMY10-16512-33281
TR238	2SA1461-Y24	NEC 10-05822-11100	R 9	RMC 1/16 JP	KMY10-16513-00000	R121	RMC 1/16 JP	KMY10-16513-00000
TR239	2SC4154 T11	MIT 10-05824-03210	R 10	RMC 1/16 JP	KMY10-16513-00000	R122	RGC 1/16C 101D TP	KMY10-16512-10181
TR240	2SC3398	SYO 10-05824-02400	R 11	RMC 1/16 JP	KMY10-16513-00000	R123	RMC 1/16 JP	KMY10-16513-00000
TR241	2SC4154 T11	MIT 10-05824-03210	R 12	RGC 1/16K 100D TP	KMY10-16512-10081	R124	RGC 1/16C 101D TP	KMY10-16512-10181
TR242	2SC4154 T11	MIT 10-05824-03210	R 13	RGC 1/16K 100D TP	KMY10-16512-10081	R125	RGC 1/16C 103D TP	KMY10-16512-10381
TR401	2SC3735-B35	NEC 10-05824-02840	R 14	RGC 1/16C 473D TP	KMY10-16512-47381	R126	RGC 1/16C 152D TP	KMY10-16512-15281
TR402	2SC4154 T11	MIT 10-05824-03210	R 15	RGC 1/16C 122D TP	KMY10-16512-12281	R127	RGC 1/16C 152D TP	KMY10-16512-15281
TR403	2SC4154 T11	MIT 10-05824-03210	R 16	RGC 1/16C 121D TP	KMY10-16512-12181	R128	RGC 1/16C 101D TP	KMY10-16512-10181
TR404	2SA1461-Y24	NEC 10-05822-11100	R 17	RGC 1/16C 331D TP	KMY10-16512-33181	R129	RGC 1/16C 101D TP	KMY10-16512-10181
TR405	2SC4154 T11	MIT 10-05824-03210	R 18	RGC 1/16C 682D TP	KMY10-16512-68281	R130	RGC 1/16C 101D TP	KMY10-16512-10181
TR406	2SA1602 T-11-1F	MIT 10-05822-13020	R 19	RGC 1/16C 122D TP	KMY10-16512-12281	* R131	RMC 1/16 JP	KMY10-16513-00000
TR407	2SA1461-Y24	NEC 10-05822-11100	R 20	RGC 1/16C 121D TP	KMY10-16512-12181	* R132		
TR408	2SC4154 T11	MIT 10-05824-03210	R 21	RGC 1/16C 331D TP	KMY10-16512-33181	R133	RMC 1/16 JP	KMY10-16513-00000
TR409	2SA1602 T-11-1F	MIT 10-05822-13020	R 22	RGC 1/16C 471D TP	KMY10-16512-47181	* R134		
TR410	2SC4154 T11	MIT 10-05824-03210	R 23	RGC 1/16C 103D TP	KMY10-16512-10381	R135	RMC 1/16 JP	KMY10-16513-00000
TR411	2SC4154 T11	MIT 10-05824-03210	R 24	RGC 1/16C 183D TP	KMY10-16512-18381	* R136		
TR501	2SC4154 T11	MIT 10-05824-03210	R 25	RGC 1/16C 473D TP	KMY10-16512-47381	* R137		
TR502	2SC4154 T11	MIT 10-05824-03210	R 26	RGC 1/16C 101D TP	KMY10-16512-10181	R138	RMC 1/16 JP	KMY10-16513-00000
TR503	2SC4154 T11	MIT 10-05824-03210	R 27	RGC 1/16C 122D TP	KMY10-16512-12281	* R139		
TR504	2SC4154 T11	MIT 10-05824-03210	R 28	RGC 1/16C 122D TP	KMY10-16512-12281	R140	RMC 1/16 JP	KMY10-16513-00000
TR505	2SC4154 T11	MIT 10-05824-03210	R 29	RGC 1/16C 682D TP	KMY10-16512-68281	R141	RMC 1/16 JP	KMY10-16513-00000
TR506	2SC4154 T11	MIT 10-05824-03210	R 30	RGC 1/16C 101D TP	KMY10-16512-10181	* R142		
TR507	2SA1461-Y24	NEC 10-05822-11100	R 31	RGC 1/16C 152D TP	KMY10-16512-15281	R143	RMC 1/16 JP	KMY10-16513-00000
TR508	2SK374-R	MAT 10-05828-02573	R 32	RGC 1/16C 473D TP	KMY10-16512-47381	* R144		
TR509	2SA1461-Y24	NEC 10-05822-11100	R 33	RGC 1/16C 122D TP	KMY10-16512-12281	R145	RGC 1/16C 103D TP	KMY10-16512-10381
TR510	2SC4154 T11	MIT 10-05824-03210	R 34	RGC 1/16C 121D TP	KMY10-16512-12181	R146	RGC 1/16C 222D TP	KMY10-16512-22281
TR511	2SC4154 T11	MIT 10-05824-03210	R 35	RGC 1/16C 331D TP	KMY10-16512-33181	R147	RGC 1/16C 222D TP	KMY10-16512-22281
TR512	2SC4154 T11	MIT 10-05824-03210	R 36	RGC 1/16C 682D TP	KMY10-16512-68281	R148	RGC 1/16C 151D TP	KMY10-16512-15181
TR513	2SC3735-B35	NEC 10-05824-02840	R 37	RGC 1/16C 122D TP	KMY10-16512-12281	R149	RGC 1/16C 101D TP	KMY10-16512-10181
TR514	2SA1461-Y24	NEC 10-05822-11100	R 38	RGC 1/16C 121D TP	KMY10-16512-12181	R150	RGC 1/16C 472D TP	KMY10-16512-47281
TR515	2SC4154 T11	MIT 10-05824-03210	R 39	RGC 1/16C 331D TP	KMY10-16512-33181	R151	RGC 1/16C 471D TP	KMY10-16512-47181
TR516	2SA1461-Y24	NEC 10-05822-11100	R 40	RGC 1/16C 471D TP	KMY10-16512-47181	R152	RMC 1/16 JP	KMY10-16513-00000
TR517	2SC4154 T11	MIT 10-05824-03210	R 41	RGC 1/16C 103D TP	KMY10-16512-10381	* R153		
TR518	2SC3735-B35	NEC 10-05824-02840	R 42	RGC 1/16C 183D TP	KMY10-16512-18381	R154	RMC 1/16 JP	KMY10-16513-00000
TR519	2SA1461-Y24	NEC 10-05822-11100				R155	RGC 1/16C 472D TP	KMY10-16512-47281
TR520	2SC4154 T11	MIT 10-05824-03210				R156	RMC 1/16 JP	KMY10-16513-00000

99056-15980 PP-905698 05 0010

99056-15980 PP-905698 06 0010

99056-15980 PP-905698 07 0010

NO.	DESCRIPTION	MFD.PARTS-CODE	NO.	DESCRIPTION	MFD.PARTS-CODE	NO.	DESCRIPTION	MFD.PARTS-CODE
R157	RGC 1/16C 222D TP	KMY10-16512-22281	R239	RGC 1/16C 101D TP	KMY10-16512-10181	R316	RGC 1/16C 681D TP	KMY10-16512-68181
R158	RGC 1/16C 103D TP	KMY10-16512-10381	R240	RGC 1/16C 471D TP	KMY10-16512-47181	R317	RGC 1/16C 473D TP	KMY10-16512-47381
R159	RGC 1/16C 222D TP	KMY10-16512-22281	R241	RGC 1/16C 222D TP	KMY10-16512-22281	R319	RGC 1/16C 103D TP	KMY10-16512-10381
R160	RGC 1/16C 151D TP	KMY10-16512-15181	R242	RGC 1/16C 682D TP	KMY10-16512-68281	R320	RGC 1/16C 472D TP	KMY10-16512-47281
R161	RGC 1/16C 101D TP	KMY10-16512-10181	R243	RGC 1/16C 821D TP	KMY10-16512-82181	R321	RGC 1/16C 103D TP	KMY10-16512-10381
R162	RGC 1/16C 472D TP	KMY10-16512-47281	R244	RGC 1/16C 101D TP	KMY10-16512-10181	R322	RGC 1/16C 472D TP	KMY10-16512-47281
R163	RGC 1/16C 471D TP	KMY10-16512-47181	R245	RGC 1/16C 681D TP	KMY10-16512-68181	R323	RGC 1/16C 102D TP	KMY10-16512-10281
R164	RMC 1/16 JP	KMY10-16513-00000	R246	RGC 1/16C 151D TP	KMY10-16512-15181	R324	RGC 1/16C 102D TP	KMY10-16512-10281
* R165			R247	RGC 1/16C 102D TP	KMY10-16512-10281	R325	RGC 1/16C 102D TP	KMY10-16512-10281
R166	RGC 1/16C 472D TP	KMY10-16512-47281	R248	RGC 1/16C 562D TP	KMY10-16512-56281	R326	RGC 1/16C 102D TP	KMY10-16512-10281
R167	RMC 1/16 JP	KMY10-16513-00000	R249	RGC 1/16C 101D TP	KMY10-16512-10181	R327	RGC 1/16C 221D TP	KMY10-16512-22181
R169	RMC 1/16 JP	KMY10-16513-00000	R250	RGC 1/16C 101D TP	KMY10-16512-10181	R328	RGC 1/16C 563D TP	KMY10-16512-56381
R170	RMC 1/16 JP	KMY10-16513-00000	R251	RGC 1/16C 102D TP	KMY10-16512-10281	R329	RGC 1/16C 104D TP	KMY10-16512-10481
R171	RMC 1/16 JP	KMY10-16513-00000	R252	RGC 1/16C 102D TP	KMY10-16512-10281	R330	RGC 1/16C 222D TP	KMY10-16512-22281
R172	RMC 1/16 JP	KMY10-16513-00000	R253	RGC 1/16C 222D TP	KMY10-16512-22281	R331	RGC 1/16C 331D TP	KMY10-16512-33181
R173	RGC 1/16C 221D TP	KMY10-16512-22181	R254	RGC 1/16C 221D TP	KMY10-16512-22181	* R332		
R174	RMC 1/16 JP	KMY10-16513-00000	R255	RGC 1/16C 331D TP	KMY10-16512-33181	R333	RGC 1/16C 332D TP	KMY10-16512-33281
R175	RMC 1/16 JP	KMY10-16513-00000	R256	RGC 1/16C 152D TP	KMY10-16512-15281	R334	RGC 1/16C 331D TP	KMY10-16512-33181
R176	RGC 1/16C 103D TP	KMY10-16512-10381	R257	RGC 1/16C 101D TP	KMY10-16512-10181	R335	RGC 1/16C 101D TP	KMY10-16512-10181
R177	RGC 1/16C 100D TP	KMY10-16512-10081	R258	RMC 1/16 JP	KMY10-16513-00000	R336	RGC 1/16C 222D TP	KMY10-16512-22281
R178	RGC 1/16C 100D TP	KMY10-16512-10081	R259	RGC 1/16C 472D TP	KMY10-16512-47281	* R337		
R179	RGC 1/16C 233D TP	KMY10-16512-23381	R260	RGC 1/16C 682D TP	KMY10-16512-68281	R338	RGC 1/16C 471D TP	KMY10-16512-47181
R180	RGC 1/16C 683D TP	KMY10-16512-68381	R261	RGC 1/16C 152D TP	KMY10-16512-15281	R339	RGC 1/16C 471D TP	KMY10-16512-47181
R181	RGC 1/16C 102D TP	KMY10-16512-10281	R262	RGC 1/16C 562D TP	KMY10-16512-56281	R340	RGC 1/16C 101D TP	KMY10-16512-10181
R182	RGC 1/16C 470D TP	KMY10-16512-47081	R263	RGC 1/16C 562D TP	KMY10-16512-56281	R341	RGC 1/16C 472D TP	KMY10-16512-47281
R183	RGC 1/16C 333D TP	KMY10-16512-33381	R264	RGC 1/16C 102D TP	KMY10-16512-10281	R342	RGC 1/16C 331D TP	KMY10-16512-33181
R184	RGC 1/16C 471D TP	KMY10-16512-47181	R265	RGC 1/16C 562D TP	KMY10-16512-56281	R343	RGC 1/16C 331D TP	KMY10-16512-33181
R185	RGC 1/16C 471D TP	KMY10-16512-47181	R266	RGC 1/16C 562D TP	KMY10-16512-56281	R344	RGC 1/16C 102D TP	KMY10-16512-10281
R186	RGC 1/16C 101D TP	KMY10-16512-10181	R267	RGC 1/16C 102D TP	KMY10-16512-10281	R345	RGC 1/16C 152D TP	KMY10-16512-15281
R187	RGC 1/16C 472D TP	KMY10-16512-47281	R268	RGC 1/16C 102D TP	KMY10-16512-10281	R346	RGC 1/16C 102D TP	KMY10-16512-10281
R188	RGC 1/16C 223D TP	KMY10-16512-22381	R269	RGC 1/16C 472D TP	KMY10-16512-47281	R347	RGC 1/16C 101D TP	KMY10-16512-10181
R189	RGC 1/16C 102D TP	KMY10-16512-10281	R270	RGC 1/16C 682D TP	KMY10-16512-68281	R348	RGC 1/16C 152D TP	KMY10-16512-15281
R190	RGC 1/16C 102D TP	KMY10-16512-10281	R271	RGC 1/16C 331D TP	KMY10-16512-33181	R349	RGC 1/16C 332D TP	KMY10-16512-33281
R191	RMC 1/16 JP	KMY10-16513-00000	R272	RGC 1/16C 472D TP	KMY10-16512-47281	R350	RGC 1/16C 333D TP	KMY10-16512-33381
R192	RMC 1/16 JP	KMY10-16513-00000	R273	RGC 1/16C 102D TP	KMY10-16512-10281	R352	RGC 1/16C 101D TP	KMY10-16512-10181
* R193			R274	RGC 1/16C 332D TP	KMY10-16512-33281	R353	RGC 1/16C 103D TP	KMY10-16512-10381
* R194			R275	RGC 1/16C 332D TP	KMY10-16512-33281	R354	RGC 1/16C 101D TP	KMY10-16512-10181
R195	RMC 1/16 JP	KMY10-16513-00000	R276	RGC 1/16C 101D TP	KMY10-16512-10181	R355	RGC 1/16C 332D TP	KMY10-16512-33281
R200	RGC 1/16C 682D TP	KMY10-16512-68281	R277	RGC 1/16C 103D TP	KMY10-16512-10381	R358	RGC 1/16C 332D TP	KMY10-16512-33281
R201	RGC 1/16C 331D TP	KMY10-16512-33181	R278	RGC 1/16C 101D TP	KMY10-16512-10181	R359	RGC 1/16C 332D TP	KMY10-16512-33281
R202	RGC 1/16C 222D TP	KMY10-16512-22281	R279	RGC 1/16C 152D TP	KMY10-16512-15281	R360	RGC 1/16C 102D TP	KMY10-16512-10281
R203	RGC 1/16C 222D TP	KMY10-16512-22281	R280	RGC 1/16C 103D TP	KMY10-16512-10381	R367	RGC 1/16C 182D TP	KMY10-16512-18281
R204	RGC 1/16C 152D TP	KMY10-16512-15281	R281	RGC 1/16C 472D TP	KMY10-16512-47281	R368	RGC 1/16C 122D TP	KMY10-16512-12281
R205	RGC 1/16C 152D TP	KMY10-16512-15281	R282	RGC 1/16C 472D TP	KMY10-16512-47281	R369	RGC 1/16C 182D TP	KMY10-16512-18281
R206	RGC 1/16C 332D TP	KMY10-16512-33281	R283	RGC 1/16C 223D TP	KMY10-16512-22381	R370	RGC 1/16C 100D TP	KMY10-16512-10081
R207	RGC 1/16C 103D TP	KMY10-16512-10381	R284	RGC 1/16C 681D TP	KMY10-16512-68181	R371	RGC 1/16C 100D TP	KMY10-16512-10081
R208	RGC 1/16C 101D TP	KMY10-16512-10181	R285	RGC 1/16C 223D TP	KMY10-16512-22381	R372	RGC 1/16C 100D TP	KMY10-16512-10081
R209	RGC 1/16C 102D TP	KMY10-16512-10281	R286	RGC 1/16C 102D TP	KMY10-16512-10281	R373	RGC 1/16C 100D TP	KMY10-16512-10081
R210	RGC 1/16C 472D TP	KMY10-16512-47281	R287	RGC 1/16C 562D TP	KMY10-16512-56281	R374	RGC 1/16C 182D TP	KMY10-16512-18281
R211	RGC 1/16C 151D TP	KMY10-16512-15181	R288	RGC 1/16C 562D TP	KMY10-16512-56281	R375	RGC 1/16C 562D TP	KMY10-16512-56281
R212	RGC 1/16C 682D TP	KMY10-16512-68281	R289	RGC 1/16C 102D TP	KMY10-16512-10281	R376	RGC 1/16C 562D TP	KMY10-16512-56281
R213	RGC 1/16C 271D TP	KMY10-16512-27181	R290	RGC 1/16C 102D TP	KMY10-16512-10281	R377	RGC 1/16C 182D TP	KMY10-16512-18281
R214	RGC 1/16C 472D TP	KMY10-16512-47281	R291	RGC 1/16C 472D TP	KMY10-16512-47281	R378	RGC 1/16C 562D TP	KMY10-16512-56281
R215	RGC 1/16C 223D TP	KMY10-16512-22381	R292	RGC 1/16C 102D TP	KMY10-16512-10281	R379	RGC 1/16C 562D TP	KMY10-16512-56281
R216	RGC 1/16C 682D TP	KMY10-16512-68281	R293	RGC 1/16C 331D TP	KMY10-16512-33181	R380	RGC 1/16C 182D TP	KMY10-16512-18281
R217	RGC 1/16C 681D TP	KMY10-16512-68181	R294	RGC 1/16C 472D TP	KMY10-16512-47281	R381	RGC 1/16C 222D TP	KMY10-16512-22281
R218	RGC 1/16C 561D TP	KMY10-16512-56181	R295	RGC 1/16C 682D TP	KMY10-16512-68281	R382	RGC 1/16C 222D TP	KMY10-16512-22281
R219	RGC 1/16C 101D TP	KMY10-16512-10181	R296	RGC 1/16C 332D TP	KMY10-16512-33281	R383	RGC 1/16C 182D TP	KMY10-16512-18281
R220	RGC 1/16C 220D TP	KMY10-16512-22081	R297	RGC 1/16C 332D TP	KMY10-16512-33281	R384	RGC 1/16C 682D TP	KMY10-16512-68281
R221	RGC 1/16C 102D TP	KMY10-16512-10281	R298	RGC 1/16C 103D TP	KMY10-16512-10381	R385	RGC 1/16C 682D TP	KMY10-16512-68281
R222	RGC 1/16C 103D TP	KMY10-16512-10381	R299	RGC 1/16C 101D TP	KMY10-16512-10181	R401	RGC 1/16C 473D TP	KMY10-16512-47381
R223	RGC 1/16C 222D TP	KMY10-16512-22281	R300	RGC 1/16C 103D TP	KMY10-16512-10381	R402	RGC 1/16C 223D TP	KMY10-16512-22381
R224	RGC 1/16C 472D TP	KMY10-16512-47281	R301	RGC 1/16C 152D TP	KMY10-16512-15281	R403	RGC 1/16C 332D TP	KMY10-16512-33281
R225	RGC 1/16C 102D TP	KMY10-16512-10281	R302	RGC 1/16C 103D TP	KMY10-16512-10381	R404	RMC 1/16 IMDF	KMY10-16513-10591
R226	RGC 1/16C 222D TP	KMY10-16512-22281	R303	RGC 1/16C 472D TP	KMY10-16512-47281	R405	RGC 1/16C 473D TP	KMY10-16512-47381
R227	RGC 1/16C 472D TP	KMY10-16512-47281	R304	RGC 1/16C 472D TP	KMY10-16512-47281	R406	RGC 1/16C 470D TP	KMY10-16512-47081
R228	RGC 1/16C 102D TP	KMY10-16512-10281	R305	RGC 1/16C 102D TP	KMY10-16512-10281	R407	RGC 1/16C 222D TP	KMY10-16512-22281
R229	RGC 1/16C 472D TP	KMY10-16512-47281	R306	RGC 1/16C 101D TP	KMY10-16512-10181	R408	RGC 1/16C 472D TP	KMY10-16512-47281
R230	RGC 1/16C 682D TP	KMY10-16512-68281	R307	RGC 1/16C 102D TP	KMY10-16512-10281	R409	RGC 1/16C 332D TP	KMY10-16512-33281
R231	RGC 1/16C 561D TP	KMY10-16512-56181	R308	RGC 1/16C 151D TP	KMY10-16512-15181	R410	RGC 1/16C 102D TP	KMY10-16512-10281
R232	RGC 1/16C 102D TP	KMY10-16512-10281	R309	RGC 1/16C 681D TP	KMY10-16512-68181	R411	RGC 1/16C 102D TP	KMY10-16512-10281
R233	RGC 1/16C 222D TP	KMY10-16512-22281	R310	RGC 1/16C 151D TP	KMY10-16512-15181	R412	RGC 1/16C 102D TP	KMY10-16512-10281
R234	RGC 1/16C 222D TP	KMY10-16512-22281	R311	RGC 1/16C 152D TP	KMY10-16512-15281	R413	RGC 1/16C 222D TP	KMY10-16512-22281
R235	RGC 1/16C 152D TP	KMY10-16512-15281	R312	RGC 1/16C 473D TP	KMY10-16512-47381	R414	RGC 1/16C 681D TP	KMY10-16512-68181
R236	RGC 1/16C 152D TP	KMY10-16512-15281	R313	RGC 1/16C 103D TP	KMY10-16512-10381	R415	RGC 1/16C 681D TP	KMY10-16512-68181
R237	RGC 1/16C 103D TP	KMY10-16512-10381	R314	RGC 1/16C 101D TP	KMY10-16512-10181	R416	RGC 1/16C 102D TP	KMY10-16512-10281
R238	RGC 1/16C 471D TP	KMY10-16512-47181	R315	RGC 1/16C 472D TP	KMY10-16512-47281	R417	RGC 1/16C 102D TP	KMY10-16512-10281

99056-15980	PP-905698	08	0010	99056-15980	PP-905698	09	0010	99056-15980	PP-905698	10	0010
NO.	DESCRIPTION	MFD.PARTS-CODE		NO.	DESCRIPTION	MFD.PARTS-CODE		NO.	DESCRIPTION	MFD.PARTS-CODE	
R418	RGC 1/16C 222D TP	KMY10-16512-22281		R531	RGC 1/16C 102D TP	KMY10-16512-10281		R611	RGC 1/16C 332D TP	KMY10-16512-33281	
R419	RGC 1/16C 222D TP	KMY10-16512-22281		R532	RGC 1/16C 472D TP	KMY10-16512-47281		R612	RGC 1/16C 101D TP	KMY10-16512-10181	
R420	RGC 1/16C 471D TP	KMY10-16512-47181		* R533	RMC 1/16 JP	KMY10-16513-00000		R613	RGC 1/16C 472D TP	KMY10-16512-47281	
R421	RGC 1/16C 822D TP	KMY10-16512-82281		R534	RGC 1/16C 471D TP	KMY10-16512-47181		R614	RGC 1/16C 473D TP	KMY10-16512-47381	
R422	RGC 1/16C 101D TP	KMY10-16512-10181		R535	RGC 1/16C 222D TP	KMY10-16512-22281		R615	RGC 1/16C 333D TP	KMY10-16512-33381	
R423	RGC 1/16C 101D TP	KMY10-16512-10181		R536	RGC 1/16C 472D TP	KMY10-16512-47281		R616	RGC 1/16C 104D TP	KMY10-16512-10481	
R424	RGC 1/16C 152D TP	KMY10-16512-15281		R537	RGC 1/16C 101D TP	KMY10-16512-10181		R617	RMC 1/16 150K $\Omega$ F	KMY10-16513-15491	
R425	RGC 1/16C 222D TP	KMY10-16512-22281		R538	RGC 1/16C 332D TP	KMY10-16512-33281		R618	RGC 1/16C 103D TP	KMY10-16512-10381	
R426	RGC 1/16C 101D TP	KMY10-16512-10181		R539	RGC 1/16C 683D TP	KMY10-16512-68381		R619	RGC 1/16C 100D TP	KMY10-16512-10081	
R427	RGC 1/16C 222D TP	KMY10-16512-22281		R540	RGC 1/16C 101D TP	KMY10-16512-10181		R620	RGC 1/16C 223D TP	KMY10-16512-22381	
R428	RGC 1/16C 472D TP	KMY10-16512-47281		R541	RMC 1/16 JP	KMY10-16513-00000		R621	RGC 1/16C 102D TP	KMY10-16512-10281	
R429	RGC 1/16C 472D TP	KMY10-16512-47281		R542	RGC 1/16C 103D TP	KMY10-16512-10381		R622	RGC 1/16C 103D TP	KMY10-16512-10381	
R430	RGC 1/16C 101D TP	KMY10-16512-10181		R543	RGC 1/16C 472D TP	KMY10-16512-47281		R623	RGC 1/16C 101D TP	KMY10-16512-10181	
R431	RGC 1/16C 103D TP	KMY10-16512-10381		R544	RGC 1/16C 101D TP	KMY10-16512-10181		R624	RGC 1/16C 101D TP	KMY10-16512-10181	
R432	RGC 1/16C 101D TP	KMY10-16512-10181		R545	RGC 1/16C 101D TP	KMY10-16512-10181		R625	RGC 1/16C 101D TP	KMY10-16512-10181	
R433	RGC 1/16C 101D TP	KMY10-16512-10181		R546	RGC 1/16C 472D TP	KMY10-16512-47281					
R434	RGC 1/16C 472D TP	KMY10-16512-47281		R547	RGC 1/16C 473D TP	KMY10-16512-47381		VR101	ST-4B 2000 $\Omega$	CPL 10-16542-20200	
R436	RGC 1/16C 102D TP	KMY10-16512-10281		R548	RGC 1/16C 333D TP	KMY10-16512-33381		VR102	ST-4B 1000 $\Omega$	CPL 10-16542-10200	
R437	RGC 1/16C 102D TP	KMY10-16512-10281		R549	RGC 1/16C 104D TP	KMY10-16512-10481		VR104	ST-4B 500 $\Omega$	CPL 10-16542-50100	
R438	RGC 1/16C 682D TP	KMY10-16512-68281		R550	RGC 1/16C 103D TP	KMY10-16512-10381		VR105	ST-4B 500 $\Omega$	CPL 10-16542-50100	
R439	RGC 1/16C 222D TP	KMY10-16512-22281		R551	RMC 1/16 150K $\Omega$ F	KMY10-16513-15491		VR106	ST-4B 500 $\Omega$	CPL 10-16542-10100	
R440	RGC 1/16C 102D TP	KMY10-16512-22281		R552	RGC 1/16C 101D TP	KMY10-16512-10181		VR107	ST-4B 100 $\Omega$	CPL 10-16542-10100	
R441	RGC 1/16C 471D TP	KMY10-16512-47181		R553	RGC 1/16C 683D TP	KMY10-16512-68381		VR108	ST-4B 5000 $\Omega$	CPL 10-16542-50200	
R442	RGC 1/16C 822D TP	KMY10-16512-82281		R554	RGC 1/16C 103D TP	KMY10-16512-10381		VR109	ST-4B 2000 $\Omega$	CPL 10-16542-20200	
R443	RGC 1/16C 101D TP	KMY10-16512-10181		R555	RGC 1/16C 332D TP	KMY10-16512-33281		VR110	ST-4B 5000 $\Omega$	CPL 10-16542-50200	
R444	RGC 1/16C 102D TP	KMY10-16512-10281		R556	RGC 1/16C 332D TP	KMY10-16512-33281		VR201	ST-4B 5000 $\Omega$	CPL 10-16542-50200	
R445	RGC 1/16C 101D TP	KMY10-16512-10181		R557	RGC 1/16C 332D TP	KMY10-16512-33281		VR202	ST-4B 2000 $\Omega$	CPL 10-16542-20200	
R446	RGC 1/16C 222D TP	KMY10-16512-22281		R558	RGC 1/16C 332D TP	KMY10-16512-33281		VR203	ST-4B 5000 $\Omega$	CPL 10-16542-50200	
R447	RGC 1/16C 222D TP	KMY10-16512-22281		R559	RGC 1/16C 102D TP	KMY10-16512-10281		VR204	ST-4B 1000 $\Omega$	CPL 10-16542-10200	
R448	RGC 1/16C 101D TP	KMY10-16512-10181		R560	RMC 1/16 220K $\Omega$ F	KMY10-16513-22491		VR205	ST-4B 2000 $\Omega$	CPL 10-16542-20200	
R449	RGC 1/16C 472D TP	KMY10-16512-47281		R561	RGC 1/16C 222D TP	KMY10-16512-22281		VR206	ST-4B 1000 $\Omega$	CPL 10-16542-10200	
R450	RGC 1/16C 472D TP	KMY10-16512-47281		R562	RMC 1/16 220K $\Omega$ F	KMY10-16513-22491		VR207	ST-4B 2000 $\Omega$	CPL 10-16542-20200	
R451	RGC 1/16C 472D TP	KMY10-16512-47281		R563	RGC 1/16C 473D TP	KMY10-16512-47381		VR208	ST-4B 2000 $\Omega$	CPL 10-16542-20200	
R452	RGC 1/16C 103D TP	KMY10-16512-10381		R564	RGC 1/16C 223D TP	KMY10-16512-22381		VR209	ST-4B 2000 $\Omega$	CPL 10-16542-20200	
R453	RGC 1/16C 101D TP	KMY10-16512-10181		R565	RGC 1/16C 223D TP	KMY10-16512-22381		VR210	ST-4B 500 $\Omega$	CPL 10-16542-50100	
R454	RGC 1/16C 103D TP	KMY10-16512-10381		R566	RGC 1/16C 222D TP	KMY10-16512-22281		VR211	ST-4B 5000 $\Omega$	CPL 10-16542-50200	
R455	RGC 1/16C 331D TP	KMY10-16512-33181		R567	RGC 1/16C 222D TP	KMY10-16512-22281		VR212	ST-4B 1000 $\Omega$	CPL 10-16542-10200	
R456	RGC 1/16C 332D TP	KMY10-16512-33281		R568	RGC 1/16C 103D TP	KMY10-16512-10381		VR213	ST-4B 1000 $\Omega$	CPL 10-16542-10200	
R457	RGC 1/16C 472D TP	KMY10-16512-47281		R569	RGC 1/16C 103D TP	KMY10-16512-10381		VR214	ST-4B 1000 $\Omega$	CPL 10-16542-10200	
R458	RGC 1/16C 103D TP	KMY10-16512-10381		R570	RGC 1/16C 103D TP	KMY10-16512-10381		VR403	ST-4B 1000 $\Omega$	CPL 10-16542-10200	
R459	RGC 1/16C 103D TP	KMY10-16512-10381		R571	RGC 1/16C 152D TP	KMY10-16512-15281		VR404	ST-4B 10K $\Omega$	CPL 10-16542-10300	
R460	RGC 1/16K 100D TP	KMY10-16512-10081		R572	RGC 1/16C 103D TP	KMY10-16512-10381		VR405	ST-4B 1000 $\Omega$	CPL 10-16542-10200	
R461	RGC 1/16C 222D TP	KMY10-16512-22281		R573	RGC 1/16C 103D TP	KMY10-16512-10381		VR406	ST-4B 10K $\Omega$	CPL 10-16542-10300	
R462	RGC 1/16C 153D TP	KMY10-16512-15381		R574	RGC 1/16C 332D TP	KMY10-16512-33281		VR407	ST-4B 10K $\Omega$	CPL 10-16542-10300	
R463	RGC 1/16C 103D TP	KMY10-16512-10381		R575	RGC 1/16C 332D TP	KMY10-16512-33281		VR408	ST-4B 10K $\Omega$	CPL 10-16542-10300	
R464	RGC 1/16C 473D TP	KMY10-16512-47381		R576	RGC 1/16C 103D TP	KMY10-16512-10381		VR501	ST-4B 200 $\Omega$	CPL 10-16542-20100	
R465	RGC 1/16C 222D TP	KMY10-16512-22281		R577	RGC 1/16C 102D TP	KMY10-16512-10281		VR502	ST-4B 1000 $\Omega$	CPL 10-16542-10200	
B500	RGC 1/16C 822D TP	KMY10-16512-82281		R578	RGC 1/16C 104D TP	KMY10-16512-10481		VR503	ST-4B 100K $\Omega$	CPL 10-16542-10400	
R501	RGC 1/16C 103D TP	KMY10-16512-10381		R579	RGC 1/16C 821D TP	KMY10-16512-82181		VR504	ST-4B 2030 $\Omega$	CPL 10-16542-20300	
R502	RGC 1/16C 472D TP	KMY10-16512-47281		R582	RGC 1/16C 101D TP	KMY10-16512-10181		VR505	ST-4B 50K $\Omega$	CPL 10-16542-50300	
R503	RGC 1/16C 471D TP	KMY10-16512-47181		R583	RGC 1/16C 472D TP	KMY10-16512-47281		VR506	ST-4B 50K $\Omega$	CPL 10-16542-50300	
R504	RGC 1/16C 472D TP	KMY10-16512-47281		R584	RGC 1/16C 473D TP	KMY10-16512-47381		VR507	ST-4G 20K $\Omega$	CPL 10-16542-20310	
R505	RGC 1/16C 471D TP	KMY10-16512-47181		R585	RGC 1/16C 333D TP	KMY10-16512-33381		VR508	ST-4B 50K $\Omega$	CPL 10-16542-50300	
R506	RGC 1/16C 102D TP	KMY10-16512-10281		R586	RGC 1/16C 104D TP	KMY10-16512-10481		VR509	ST-4TG 50K $\Omega$	CPL 10-16546-50310	
R507	RGC 1/16C 152D TP	KMY10-16512-15281		R587	RMC 1/16 150K $\Omega$ F	KMY10-16513-15491		VR510	ST-4TG 50K $\Omega$	CPL 10-16546-50310	
R508	RGC 1/16C 472D TP	KMY10-16512-47281		R588	RGC 1/16C 103D TP	KMY10-16512-10381					
R509	RGC 1/16C 332D TP	KMY10-16512-33281		R589	RGC 1/16C 101D TP	KMY10-16512-10181					
R510	RGC 1/16C 153D TP	KMY10-16512-15381		R590	RGC 1/16C 683D TP	KMY10-16512-68381					
R511	RGC 1/16C 223D TP	KMY10-16512-22381		R591	RGC 1/16C 103D TP	KMY10-16512-10381					
R512	RGC 1/16C 103D TP	KMY10-16512-10381		R592	RGC 1/16C 102D TP	KMY10-16512-10281					
R513	RGC 1/16C 221D TP	KMY10-16512-22181		R593	RMC 1/16 220K $\Omega$ F	KMY10-16513-22491					
R514	RGC 1/16C 103D TP	KMY10-16512-10381		R594	RGC 1/16C 472D TP	KMY10-16512-47281					
R515	RGC 1/16K 750D TP	KMY10-16512-75081		R595	RGC 1/16C 333D TP	KMY10-16512-33381					
R516	RGC 1/16C 101D TP	KMY10-16512-10181		R596	RGC 1/16C 223D TP	KMY10-16512-22381					
R517	RGC 1/16C 472D TP	KMY10-16512-47281		R597	RGC 1/16C 103D TP	KMY10-16512-10381					
R518	RGC 1/16C 223D TP	KMY10-16512-22381		R598	RGC 1/16C 103D TP	KMY10-16512-10381					
R519	RGC 1/16C 682D TP	KMY10-16512-68281		R599	RGC 1/16C 103D TP	KMY10-16512-10381					
R520	RGC 1/16C 101D TP	KMY10-16512-10181		R600	RGC 1/16C 102D TP	KMY10-16512-10281					
R521	RGC 1/16C 471D TP	KMY10-16512-47181		R601	RGC 1/16C 103D TP	KMY10-16512-10381					
R522	RGC 1/16C 472D TP	KMY10-16512-47281		R602	RGC 1/16C 223D TP	KMY10-16512-22381					
R523	RGC 1/16C 101D TP	KMY10-16512-10181		R603	RGC 1/16C 223D TP	KMY10-16512-22381					
R524	RGC 1/16C 471D TP	KMY10-16512-47181		R604	RGC 1/16C 103D TP	KMY10-16512-10381					
R525	RGC 1/16K 470D TP	KMY10-16512-47081		R605	RGC 1/16C 683D TP	KMY10-16512-68381					
R526	RGC 1/16C 682D TP	KMY10-16512-68281		R606	RGC 1/16C 471D TP	KMY10-16512-47181					
R527	RGC 1/16C 223D TP	KMY10-16512-22381		R607	RGC 1/16C 104D TP	KMY10-16512-10481					
R528	RGC 1/16C 333D TP	KMY10-16512-33381		R608	RGC 1/16C 223D TP	KMY10-16512-22381					
R529	RGC 1/16C 103D TP	KMY10-16512-10381		R609	RGC 1/16C 333D TP	KMY10-16512-33381					
R530	RGC 1/16C 103D TP	KMY10-16512-10381		R610	RGC 1/16C 332D TP	KMY10-16512-33281					

## &lt; CAPACITORS &gt;

C 1	MVK 6.3VC 100 F55	NCH 10-26364-10706
C 2	MVK 6.3VC 100 F55	NCH 10-26364-10706
C 3	GRM39 B 104K 16PT	MUR10-26184-10416
C 4	GRM39 B 104K 16PT	MUR10-26184-10416
C 5	UWX 1C 101MCR1GB	NCI 10-26601-10716
C 6	UWX 1C 101MCR1GB	NCI 10-26601-10716
C 7	UWX 1C 101MCR1GB	NCI 10-26601-10716
C 8	ECEA ICSN100	MAT 10-20135-10616
C 9	CM21CH 6R8C 50VA T W0	
		KYC 10-26061-06825
C 10	MVJ 16	

99056-15980 PP-905698 11 0010			99056-15980 PP-905698 12 0010			99056-15980 PP-905698 13 0010		
NO.	DESCRIPTION	MFD.PARTS-CODE	NO.	DESCRIPTION	MFD.PARTS-CODE	NO.	DESCRIPTION	MFD.PARTS-CODE
C 18	ECEA ICSN100	MAT 10-20135-10616	C149	GRM39 B 104K 16PT	MUR 10-26184-10416	C231	CM21CH 121J 50VA T C2	
C 19	CM21CH 688C 50VA T W0	KYC 10-26061-06825	C150	267M 1602 105MR	NCC 10-26821-10516			KYC 10-26061-12125
C 20	MVJ 16VC 10 D60	NCH 10-26368-10616	C151	GRM39 B 104K 16PT	MUR 10-26184-10416	C232	CM21CH 270J 50VA T LI	KYC 10-26061-27025
C 21	GRM39 B 104K 16PT	MUR 10-26184-10416	C152	MVJ 16VC 47 F60	NCH 10-26368-47616	C233	GRM39 B 104K 16PT	MUR 10-26184-10416
C 22	GRM39 B 104K 16PT	MUR 10-26184-10416	C153	MVJ 16VC 47 F60	NCH 10-26368-47616	C234	GRM40B 222K50PT	MUR 10-26183-22250
C 23	CM21CH 150J 50VA T E1	KYC 10-26061-15025	C154	GRM39 B 104K 16PT	MUR 10-26184-10416	C235	GRM39 B 104K 16PT	MUR 10-26184-10416
C 24	CM21CH 150J 50VA T E1	KYC 10-26061-15025	* C156			C236	CM21CH 270J 50VA T LI	KYC 10-26061-27025
C 25	CM21CH 150J 50VA T E1	KYC 10-26061-15025	* C157			C237	GRM39 B 104K 16PT	MUR 10-26184-10416
* C 26			* C158			C238	GRM39 B 104K 16PT	MUR 10-26184-10416
* C 27			C159	GRM39 B 104K 16PT	MUR 10-26184-10416	C239	CM21CH 121J 50VA T C2	KYC 10-26061-12125
C 28	UWX 1C 101MCR1GB	NCH 10-26601-10716	C160	MVJ 6R3VC 47 E60	NCH 10-26368-47606	C240	CM21CH 270J 50VA T LI	KYC 10-26061-27025
C 29	UWX 1C 101MCR1GB	NCH 10-26601-10716	C161	CM21CH 330J 50VA T NI	KYC 10-26061-33025	C241	GRM39 B 104K 16PT	MUR 10-26184-10416
C 30	GRM39 B 104K 16PT	MUR 10-26184-10416	C162	MVJ 16VC 47 F60	NCH 10-26368-47616	C242	GRM40B 222K50PT	MUR 10-26183-22250
C 31	GRM39 B 104K 16PT	MUR 10-26184-10416	C163	GRM39 B 104K 16PT	MUR 10-26184-10416	C243	GRM39 B 104K 16PT	MUR 10-26184-10416
C100	CM21CH 100D 50VA T A1	KYC 10-26061-10025	C164	GRM39 B 104K 16PT	MUR 10-26184-10416	C244	MVJ 16VC 10 D60	NCH 10-26368-10616
C101	MVJ 16VC 47 F60	NCH 10-26368-47616	* C165			C245	CM21CH 680J 50VA T W1	KYC 10-26061-68025
C102	CM21CH 470J 50VA T SI	KYC 10-26061-47025	C166	GRM39 B 104K 16PT	MUR 10-26184-10416	C246	GRM39 B 104K 16PT	MUR 10-26184-10416
C103	CM21CH 680J 50VA T W1	KYC 10-26061-68025	C167	GRM39 B 104K 16PT	MUR 10-26184-10416	C247	GRM39 B 104K 16PT	MUR 10-26184-10416
C104	CM21CH 470J 50VA T SI	KYC 10-26061-47025	C168	GRM39 B 104K 16PT	MUR 10-26184-10416	C248	CM21CH 101J 50VA T A2	KYC 10-26061-10125
C105	MVJ 16VC 47 F60	NCH 10-26368-47616	C169	GRM39 B 104K 16PT	MUR 10-26184-10416	C249	MVJ 16VC 47 F60	NCH 10-26368-47616
C106	MVJ 16VC 47 F60	NCH 10-26368-47616	C170	GRM39 B 104K 16PT	MUR 10-26184-10416	C250	MVJ 16VC 47 F60	NCH 10-26368-47616
C107	GRM39 B 104K 16PT	MUR 10-26184-10416	* C171			* C251		
C108	GRM39 B 104K 16PT	MUR 10-26184-10416	* C172			* C252		
C109	GRM39 B 104K 16PT	MUR 10-26184-10416	* C173			C253	CM21CH 680J 50VA T W1	KYC 10-26061-68025
C110	MVJ 16VC 47 F60	NCH 10-26368-47616	* C174			* C254	CM21CH 100D 50VA T A1	KYC 10-26061-10025
C111	GRM39 B 104K 16PT	MUR 10-26184-10416	C175	CM21CH 120J 50VA T CI	KYC 10-26061-12025	C255	MVJ 16VC 47 F60	NCH 10-26368-47616
C112	GRM39 B 104K 16PT	MUR 10-26184-10416	C200	267M 1602 106MR	NCC 10-26821-10616	C256	MVJ 16VC 47 F60	NCH 10-26368-47616
C113	GRM39 B 104K 16PT	MUR 10-26184-10416	C201	CM21CH 680J 50VA T W1	KYC 10-26061-68025	C258	MVJ 16VC 47 F60	NCH 10-26368-47616
C114	GRM39 B 104K 16PT	MUR 10-26184-10416	C202	CM21CH 680J 50VA T W1	KYC 10-26061-68025	C259	GRM39 B 104K 16PT	MUR 10-26184-10416
C115	GRM39 B 104K 16PT	MUR 10-26184-10416	C203	CM21CH 680J 50VA T W1	KYC 10-26061-68025	C260	MVJ 16VC 47 F60	NCH 10-26368-47616
C116	MVJ 6R3VC 47 E60	NCH 10-26368-47606	C204	CM21CH 221J 50VA T J2	KYC 10-26061-22125	C261	GRM39 B 104K 16PT	MUR 10-26184-10416
C117	CM21CH 101J 50VA T A2	KYC 10-26061-10125	C205	CM21CH 121J 50VA T C2	KYC 10-26061-12125	C262	GRM39 B 104K 16PT	MUR 10-26184-10416
C118	GRM39 B 104K 16PT	MUR 10-26184-10416	C206	CM21CH 102J 50VA T A3	KYC 10-26061-10225	C263	GRM39 B 104K 16PT	MUR 10-26184-10416
C119	GRM39 B 104K 16PT	MUR 10-26184-10416	C207	CM21CH 100D 50VA T A1	KYC 10-26061-10025	C264	MVJ 16VC 10 D60	NCH 10-26368-10616
C120	GRM39 B 104K 16PT	MUR 10-26184-10416	C208	CM21CH 470J 50VA T SI	KYC 10-26061-47025	C401	MVJ 16VC 47 F60	NCH 10-26368-47616
C121	GRM39 B 104K 16PT	MUR 10-26184-10416	C209	GRM39 B 103K 50PT	MUR 10-26186-10350	C402	267M 2002 225MR	NCC 10-26821-22520
C122	GRM39 B 104K 16PT	MUR 10-26184-10416	* C210			C403	CM21CH 681J 50VA T W2	KYC 10-26061-68125
C123	GRM39 B 104K 16PT	MUR 10-26184-10416	C211	GRM39 B 104K 16PT	MUR 10-26184-10416	C404	MVJ 16VC 10 D60	NCH 10-26368-10616
C124	GRM39 B 104K 16PT	MUR 10-26184-10416	C212	MVJ 16VC 47 F60	NCH 10-26368-47616	C405	CM21CH 101J 50VA T A2	KYC 10-26061-10125
C125	GRM39 B 104K 16PT	MUR 10-26184-10416	C213	GRM39 B 104K 16PT	MUR 10-26184-10416	C406	GRM40B 222K50PT	MUR 10-26183-22250
C126	GRM39 B 104K 16PT	MUR 10-26184-10416	C214	MVJ 16VC 47 F60	NCH 10-26368-47616	C407	GRM39 B 104K 16PT	MUR 10-26184-10416
C127	GRM39 B 104K 16PT	MUR 10-26184-10416	C215	GRM40 B 473K 25PT	MUR 10-26183-47325	C408	CM21CH 121J 50VA T C2	KYC 10-26061-12125
C128	GRM39 B 104K 16PT	MUR 10-26184-10416	C216	CM21CH 680J 50VA T W1	KYC 10-26061-68025	C409	GRM39 B 103K 50PT	MUR 10-26186-10350
C129	GRM39 B 104K 16PT	MUR 10-26184-10416	C217	CM21CH 680J 50VA T W1	KYC 10-26061-68025	C410	CM21CH 390J 50VA T Q1	KYC 10-26061-39025
C130	CM21CH 470J 50VA T SI	KYC 10-26061-47025	C218	CM21CH 121J 50VA T C2	KYC 10-26061-12125	C411	CM21CH 560J 50VA T UI	KYC 10-26061-56025
* C131			C219	CM21CH 221J 50VA T J2	KYC 10-26061-22125	C412	CM21CH 390J 50VA T Q1	KYC 10-26061-39025
* C132			C220	CM21CH 820J 50VA T Y1	KYC 10-26061-82025	C413	MVJ 16VC 47 F60	NCH 10-26368-47616
C133	CM21CH 680J 50VA T W1	KYC 10-26061-68025	C221	CM21CH 330J 50VA T NI	KYC 10-26061-33025	C414	GRM39 B 103K 50PT	MUR 10-26186-10350
C134	CM21CH 470J 50VA T SI	KYC 10-26061-47025	C222	CM21CH 221J 50VA T J2	KYC 10-26061-22125	C415	MVJ 16VC 47 F60	NCH 10-26368-47616
C135	GRM39 B 104K 16PT	MUR 10-26184-10416	C223	GRM39 B 104K 16PT	MUR 10-26184-10416	C416	CM21CH 220J 50VA T J1	KYC 10-26061-22025
C136	GRM39 B 104K 16PT	MUR 10-26184-10416	C224	GRM39 B 104K 16PT	MUR 10-26184-10416	C417	CM21CH 121J 50VA T C2	KYC 10-26061-12125
C137	GRM39 B 104K 16PT	MUR 10-26184-10416	C225	MVJ 16VC 47 F60	NCH 10-26368-47616	C418	CM21CH 470J 50VA T SI	KYC 10-26061-47025
C138	GRM39 B 104K 16PT	MUR 10-26184-10416	C226	MVJ 16VC 47 F60	NCH 10-26368-47616	C419	GRM39 B 104K 16PT	MUR 10-26184-10416
C139	CM21CH 470J 50VA T SI	KYC 10-26061-47025	C227	GRM39 B 104K 16PT	MUR 10-26184-10416	C420	MVJ 16VC 47 F60	NCH 10-26368-47616
* C140			C228	CM21CH 270J 50VA T LI	KYC 10-26061-27025	C421	GRM39 B 104K 16PT	MUR 10-26184-10416
C142	CM21CH 680J 50VA T W1	KYC 10-26061-68025	C229	GRM39 B 104K 16PT	MUR 10-26184-10416	C422	MVJ 16VC 47 F60	NCH 10-26368-47616
* C143			C230	GRM39 B 104K 16PT	MUR 10-26184-10416	C423	GRM39 B 103K 50PT	MUR 10-26186-10350
C144	CM21CH 470J 50VA T SI	KYC 10-26061-47025				C424	MVJ 16VC 10 D60	NCH 10-26368-10616
C145	GRM39 B 104K 16PT	MUR 10-26184-10416				C425	CM21CH 220J 50VA T J1	KYC 10-26061-22025
C146	GRM39 B 104K 16PT	MUR 10-26184-10416						
C147	GRM39 B 104K 16PT	MUR 10-26184-10416						
C148	GRM39 B 104K 16PT	MUR 10-26184-10416						

99056-15980 PP-905698 14 0010			99056-15980 PP-905698 15 0010			99056-15980 PP-905698 16 0010		
NO.	DESCRIPTION	MFD.PARTS-CODE	NO.	DESCRIPTION	MFD.PARTS-CODE	NO.	DESCRIPTION	MFD.PARTS-CODE
C426	CM21CH 121J 50VA T C2	KYC 10-26061-12125	L103	BLM21A601SPT	MUR 10-39405-00200	TP201	EYF6CU	MAT 10-39520-00600
C427	CM21CH 470J 50VA T S1	KYC 10-26061-47025	L105	BLM21A601SPT	MUR 10-39405-00200	TP202	EYF6CU	MAT 10-39520-00600
C428	GRM39 B 104K 16PT	MUR 10-26184-10416	L107	ELJFC 100K	MAT 10-39403-10000	TP203	EYF6CU	MAT 10-39520-00600
C430	GRM39 B 104K 16PT	MUR 10-26184-10416	L108	ELJFC 100K	MAT 10-39403-10000	TP204	EYF6CU	MAT 10-39520-00600
C432	CM21CH 221J 50VA T J2	KYC 10-26061-22125	L109	ELJFC 100K	MAT 10-39403-10000	TP205	EYF6CU	MAT 10-39520-00600
C433	CM21CH 221J 50VA T J2	KYC 10-26061-22125	L110	ELJFC 100K	MAT 10-39403-10000	TP206	EYF6CU	MAT 10-39520-00600
C434	CM21CH 221J 50VA T J2	KYC 10-26061-22125	L111	ELJFC 100K	MAT 10-39403-10000	TP207	EYF6CU	MAT 10-39520-00600
C435	CM21CH 330J 50VA T N1	KYC 10-26061-33025	L112	ELJFC 100K	MAT 10-39403-10000	TP208	EYF6CU	MAT 10-39520-00600
C436	GRM40B 222K 50PT	MUR 10-26183-22250	L201	ST-9654	IKE 10-40985-96540	TP209	EYF6CU	MAT 10-39520-00600
C437	GRM39 B 104K 16PT	MUR 10-26184-10416	L202	ST-9624	IKE 10-40985-96240	TP210	EYF6CU	MAT 10-39520-00600
C438	MVJ 16VC 47 F60	NCH 10-26368-47616	L203	ST-9624	IKE 10-40985-96240	TP211	EYF6CU	MAT 10-39520-00600
C439	GRM39 B 103K 50PT	MUR 10-26186-10350	L205	ELJFC 100K	MAT 10-39403-10000	TP212	EYF6CU	MAT 10-39520-00600
C500	MVJ 16VC 10 D60	NCH 10-26368-10616	L206	ELJSC 330K F	MAT 10-39403-33000	TP213	EYF6CU	MAT 10-39520-00600
* C501			L207	ELJSC 470K F	MAT 10-39403-47000	TP401	EYF6CU	MAT 10-39520-00600
* C502			L208	ELJFC 150K	MAT 10-39403-15000	TP402	EYF6CU	MAT 10-39520-00600
C503	CM21CH 680J 50VA T W1	KYC 10-26061-68025	L209	ELJSC 680K	MAT 10-39403-68000	TP403	EYF6CU	MAT 10-39520-00600
C504	MVJ 16VC 47 F60	NCH 10-26368-47616	L210	ELJSC 680K	MAT 10-39403-68000	TP404	EYF6CU	MAT 10-39520-00600
C505	CM21CH 102J 50VA T A3	KYC 10-26061-10225	L211	ELJSC 680K	MUR 10-39405-68000	TP501	EYF6CU	MAT 10-39520-00600
C506	MVJ 16VC 47 F60	NCH 10-26368-47616	L212	ELJFC 150K	MAT 10-39403-15000	TP502	EYF6CU	MAT 10-39520-00600
C507	GRM39 B 104K 16PT	MUR 10-26184-10416	L213	ELJSC 680K	MAT 10-39403-68000	TP503	EYF6CU	MAT 10-39520-00600
C508	MVJ 16VC 47 F60	NCH 10-26368-47616	L218	BLM21A601SPT	MUR 10-39405-00200	TP504	EYF6CU	MAT 10-39520-00600
* C509			L219	BLM21A601SPT	MUR 10-39405-00200	TP505	EYF6CU	MAT 10-39520-00600
C510	GRM40B 474K 16PT	MUR 10-26183-47416	L401	ST-300674	IKE 10-40982-06740	TP506	EYF6CU	MAT 10-39520-00600
C511	GRM39 B 104K 16PT	MUR 10-26184-10416	L402	ST-901284	IKE 10-40985-12840	TP507	EYF6CU	MAT 10-39520-00600
C512	MVJ 16VC 47 F60	NCH 10-26368-47616	L403	ELJFC 100K	MAT 10-39403-10000	TP508	EYF6CU	MAT 10-39520-00600
C513	GRM39 B 104K 16PT	MUR 10-26184-10416	L404	ELJSC 101K F	MAT 10-39403-10100	TP509	EYF6CU	MAT 10-39520-00600
C514	MVJ 16VC 47 F60	NCH 10-26368-47616	L406	ELJSC 680K	MAT 10-39403-68000			
C515	GRM39 B 104K 16PT	MUR 10-26184-10416	L407	ELJSC 101K F	MAT 10-39403-10100			
C516	MVJ 16VC 47 F60	NCH 10-26368-47616	L409	ELJSC 680K	MAT 10-39403-68000			
C517	267M 1602 105MR	NCC 10-26821-10516	L410	BLM21A601SPT	MUR 10-39405-00200			
C518	GRM39 B 104K 16PT	MUR 10-26184-10416	L411	BLM21A601SPT	MUR 10-39405-00200			
C519	MVJ 16VC 10 D60	NCH 10-26368-10616	L413	LF7.5NT26-271K	KOA 10-40337-27100			
C520	MVJ 16VC 10 D60	NCH 10-26368-10616	L414	LF7.5NT26-271K	KOA 10-40337-27100			
C521	CM21CH 102J 50VA T A3	KYC 10-26061-10225	L501	ELJFC 2R2K	MAT 10-39403-02200			
C522	GRM39 B 104K 16PT	MUR 10-26184-10416	L502	P-150	SUD 10-40451-15000			
C523	MVJ 16VC 47 F60	NCH 10-26368-47616	L503	BLM21A601SPT	MUR 10-39405-00200			
C524	GRM39 B 104K 16PT	MUR 10-26184-10416	L504	BLM21A601SPT	MUR 10-39405-00200			
C525	MVJ 16VC 47 F60	NCH 10-26368-47616	L505	BLM21A601SPT	MUR 10-39405-00200			
C526	267M 1602 105MR	NCC 10-26821-10516	L506	BLM21A601SPT	MUR 10-39405-00200			
C527	GRM39 B 104K 16PT	MUR 10-26184-10416						
C528	MVJ 16VC 47 F60	NCH 10-26368-47616						
C529	CM21CH 102J 50VA T A3	KYC 10-26061-10225						
C530	GRM39 B 104K 16PT	MUR 10-26184-10416	< DELAY LINES >					
C531	267M 3502 105MR	NCC 10-26821-10535	DL203	301RET2506L	TKO 10-44831-00300			
C532	GRM39 B 104K 16PT	MUR 10-26184-10416	DL204	501RET1006L	TKO 10-44851-00200			
C533	MVJ 16VC 47 F60	NCH 10-26368-47616	DL502	501RET1006L	TKO 10-44851-00200			
C534	GRM39 B 104K 16PT	MUR 10-26184-10416	DL503	501RET1006L	TKO 10-44851-00200			
C535	MVJ 16VC 47 F60	NCH 10-26368-47616	< CRYSTALS >					
C536	MVJ 16VC 47 F60	NCH 10-26368-47616	X401	HC-49/U	KIN 10-45006-00100			
C537	CM21CH 680J 50VA T W1	KYC 10-26061-68025	< CONNECTORS >					
C538	CM21CH 680J 50VA T W1	KYC 10-26061-68025	CN 20	PCN12A-64P-2.54DS	HIR 10-30333-00024			
C539	CM21CH 220J 50VA T J1	KYC 10-26061-22025	CM911	BCJ-FPLV01	KND 10-31014-00110			
C540	MVJ 16VC 10 D60	NCH 10-26368-10616		BN6003	KND 10-31014-00011			
VC201	ECV 1ZW 40X53T	MAT 10-25010-00600	CM912	BCJ-FPLV01	KND 10-31014-00110			
< INDUCTANCE COILS >				BN6003	KND 10-31014-00011			
L 1	ST-202246A	IKE 10-40981-22460	CM913	BCJ-FPLV01	KND 10-31014-00110			
L 2	ST-202246A	IKE 10-40981-22460		BN6003	KND 10-31014-00011			
L 3	BLM21A601SPT	MUR 10-39405-00200	CM914	BCJ-FPLV01	KND 10-31014-00110			
L 8	BLM21A601SPT	MUR 10-39405-00200		BN6003	KND 10-31014-00011			
L101	ELJFC 100K	MAT 10-39403-10000	CM915	BCJ-FPLV01	KND 10-31014-00110			
L102	ELJFC 100K	MAT 10-39403-10000		BN6003	KND 10-31014-00011			
			CM916	BCJ-FPLV01	KND 10-31014-00110			
				BN6003	KND 10-31014-00011			
			< TEST POLES >					
			TP101	EYF6CU	MAT 10-39520-00600			
			TP102	EYF6CU	MAT 10-39520-00600			
			TP103	EYF6CU	MAT 10-39520-00600			
			TP104	EYF6CU	MAT 10-39520-00600			
			TP105	EYF6CU	MAT 10-39520-00600			
			TP106	EYF6CU	MAT 10-39520-00600			
			TP200	EYF6CU	MAT 10-39520-00600			

(7) RGB OUT BOARD

• RGB OUT BOARD

99057-15360 PP-905736 01 0010

NO.	DESCRIPTION	MFD.PARTS-CODE
< INTEGRATED CIRCUITS >		
IC101	TL082CPS	TEX 10-04574-00500
IC102	LF398N	NSC 10-01335-02502
IC201	TL082CPS	TEX 10-04574-00500
IC202	LF398N	NSC 10-01335-02502
IC301	TL082CPS	TEX 10-04574-00500
IC302	LF398N	NSC 10-01335-02502

< TRANSISTORS >

TR101	2SA1602 T-11-1F	MIT 10-05822-13020
TR102	2SA1602 T-11-1F	MIT 10-05822-13020
TR103	2SA1602 T-11-1F	MIT 10-05822-13020
TR104	2SA1407E/D	SYO 10-02822-10171
	OSH-1625-SP	RYO 10-55518-00200
	TC45BG	SKK 10-59001-01002
TR105	2SC3601	SYO 10-02824-14926
	OSH-1625-SP	RYO 10-55518-00200
	TC45BG	SKK 10-59001-01002
TR106	2SC3601	SYO 10-02824-14926
TR107	2SA1407E/D	SYO 10-02822-10171
TR108	2SC4154 T11	MIT 10-05824-03210
TR201	2SA1602 T-11-1F	MIT 10-05822-13020
TR202	2SA1602 T-11-1F	MIT 10-05822-13020
TR203	2SA1602 T-11-1F	MIT 10-05822-13020
TR204	2SA1407E/D	SYO 10-02822-10171
	OSH-1625-SP	RYO 10-55518-00200
	TC45BG	SKK 10-59001-01002
TR205	2SC3601	SYO 10-02824-14926
	OSH-1625-SP	RYO 10-55518-00200
	TC45BG	SKK 10-59001-01002
TR206	2SC3601	SYO 10-02824-14926
TR207	2SA1407E/D	SYO 10-02822-10171
TR208	2SC4154 T11	MIT 10-05824-03210
TR301	2SA1602 T-11-1F	MIT 10-05822-13020
TR302	2SA1602 T-11-1F	MIT 10-05822-13020
TR303	2SA1602 T-11-1F	MIT 10-05822-13020
TR304	2SA1407E/D	SYO 10-02822-10171
	OSH-1625-SP	RYO 10-55518-00200
	TC45BG	SKK 10-59001-01002
TR305	2SC3601	SYO 10-02824-14926
	OSH-1625-SP	RYO 10-55518-00200
	TC45BG	SKK 10-59001-01002
TR306	2SC3601	SYO 10-02824-14926
TR307	2SA1407E/D	SYO 10-02822-10171
TR308	2SC4154 T11	MIT 10-05824-03210

< DIODES >

D101	1S2836-A4	NEC 10-06812-03400
D102	1S2836-A4	NEC 10-06812-03400
D103	1S2836-A4	NEC 10-06812-03400
D104	1S2836-A4	NEC 10-06812-03400
D105	RD9R1MB	NEC 10-06513-02200
D201	1S2836-A4	NEC 10-06812-03400
D202	1S2836-A4	NEC 10-06812-03400
D203	1S2836-A4	NEC 10-06812-03400
D204	1S2836-A4	NEC 10-06812-03400
D205	RD9R1MB	NEC 10-06513-02200
D301	1S2836-A4	NEC 10-06812-03400
D302	1S2836-A4	NEC 10-06812-03400
D303	1S2836-A4	NEC 10-06812-03400
D304	1S2836-A4	NEC 10-06812-03400
D305	RD9R1MB	NEC 10-06513-02200

< RESISTORS >

R101	RMC 1 100F TE	KMY10-16514-10031
R102	RMC 1 100F TE	KMY10-16514-10031
R103	RGC 1/10C 102D TP	KMY10-16511-10281
R104	RGC 1/10C 682D TP	KMY10-16511-68281
R105	RGC 1/10C 332D TP	KMY10-16511-33281
R106	RGC 1/10C 302D TP	KMY10-16511-30281
R107	RGC 1/10C 302D TP	KMY10-16511-30281
R108	RGC 1/10C 103D TP	KMY10-16511-10381
R109	RGC 1/10C 471D TP	KMY10-16511-47181

99057-15360 PP-905736 02 0010

NO.	DESCRIPTION	MFD.PARTS-CODE
< INTEGRATED CIRCUITS >		
* R110		
R111	RGC 1/10C 472D TP	KMY10-16511-47281
R112	RGC 1/10C 302D TP	KMY10-16511-30281
R113	RGC 1/10C 302D TP	KMY10-16511-30281
R114	RGC 1/10C 302D TP	KMY10-16511-30281
R115	RMC 1/10 150KΩF	KMY10-16511-15481
R116	RGC 1/10K 390D TP	KMY10-16511-39081
R117	RGC 1/10K 330D TP	KMY10-16511-33081
R118	RGC 1/10C 102D TP	KMY10-16511-10281
R119	RGC 1/10C 563D TP	KMY10-16511-56381
R120	RMC 1/10 JP	KMY10-16511-00000
R121	RMC 1 103F TE	KMY10-16514-10331
R122	RMC 1 103F TE	KMY10-16514-10331
R123	RGC 1/10C 223D TP	KMY10-16511-22381
R124	RGC 1/10C 223D TP	KMY10-16511-22381
R125	RGC 1/10C 223D TP	KMY10-16511-22381
R126	RGC 1/10C 152D TP	KMY10-16511-15281
R127	RGC 1/10C 100D TP	KMY10-16511-10081
R128	RGC 1/10C 102D TP	KMY10-16511-10281
R129	RGC 1/10C 100D TP	KMY10-16511-10081
R130	RGC 1/10C 682D TP	KMY10-16511-68281
R131	RGC 1/10C 222D TP	KMY10-16511-22281
R132	RGC 1/10C 152D TP	KMY10-16511-15281
R133	RMC 1/10 220KΩF	KMY10-16511-22481
R134	RGC 1/10C 223D TP	KMY10-16511-22381
R135	RGC 1/10C 473D TP	KMY10-16511-47381
R201	RMC 1 100F TE	KMY10-16514-10031
R202	RMC 1 100F TE	KMY10-16514-10031
R203	RGC 1/10C 102D TP	KMY10-16511-10281
R204	RGC 1/10C 682D TP	KMY10-16511-68281
R205	RGC 1/10C 332D TP	KMY10-16511-33281
R206	RGC 1/10C 302D TP	KMY10-16511-30281
R207	RGC 1/10C 302D TP	KMY10-16511-30281
R208	RGC 1/10C 103D TP	KMY10-16511-10381
R209	RGC 1/10C 471D TP	KMY10-16511-47181
* R210		
R211	RGC 1/10C 472D TP	KMY10-16511-47281
R212	RGC 1/10C 302D TP	KMY10-16511-30281
R213	RGC 1/10C 302D TP	KMY10-16511-30281
R214	RGC 1/10C 302D TP	KMY10-16511-30281
R215	RMC 1/10 150KΩF	KMY10-16511-15481
R216	RGC 1/10K 390D TP	KMY10-16511-39081
R217	RGC 1/10K 330D TP	KMY10-16511-33081
R218	RGC 1/10C 102D TP	KMY10-16511-10281
R219	RGC 1/10C 563D TP	KMY10-16511-56381
R220	RMC 1/10 JP	KMY10-16511-00000
R221	RMC 1 103F TE	KMY10-16514-10331
R222	RMC 1 103F TE	KMY10-16514-10331
R223	RGC 1/10C 223D TP	KMY10-16511-22381
R224	RGC 1/10C 223D TP	KMY10-16511-22381
R225	RGC 1/10C 223D TP	KMY10-16511-22381
R226	RGC 1/10C 152D TP	KMY10-16511-15281
R227	RGC 1/10C 100D TP	KMY10-16511-10081
R228	RGC 1/10C 102D TP	KMY10-16511-10281
R229	RGC 1/10C 100D TP	KMY10-16511-10081
R230	RGC 1/10C 682D TP	KMY10-16511-68281
R231	RGC 1/10C 222D TP	KMY10-16511-22281
R232	RGC 1/10C 152D TP	KMY10-16511-15281
R233	RMC 1/10 220KΩF	KMY10-16511-22481
R234	RGC 1/10C 223D TP	KMY10-16511-22381
R235	RGC 1/10C 473D TP	KMY10-16511-47381
R301	RMC 1 100F TE	KMY10-16514-10031
R302	RMC 1 100F TE	KMY10-16514-10031
R303	RGC 1/10C 102D TP	KMY10-16511-10281
R304	RGC 1/10C 682D TP	KMY10-16511-68281
R305	RGC 1/10C 332D TP	KMY10-16511-33281
R306	RGC 1/10C 302D TP	KMY10-16511-30281
R307	RGC 1/10C 302D TP	KMY10-16511-30281
R308	RGC 1/10C 103D TP	KMY10-16511-10381
R309	RGC 1/10C 471D TP	KMY10-16511-47181
* R310		
R311	RGC 1/10C 472D TP	KMY10-16511-47281
R312	RGC 1/10C 302D TP	KMY10-16511-30281
R313	RGC 1/10C 302D TP	KMY10-16511-30281
R314	RGC 1/10C 302D TP	KMY10-16511-30281
R315	RMC 1/10 150KΩF	KMY10-16511-15481
R316	RGC 1/10K 390D TP	KMY10-16511-39081

99057-15360 PP-905736 03 0010

NO.	DESCRIPTION	MFD.PARTS-CODE
R317	RGC 1/10K 330D TP	KMY10-16511-33081
R318	RGC 1/10C 102D TP	KMY10-16511-10281
R319	RGC 1/10C 563D TP	KMY10-16511-56381
R320	RMC 1/10 JP	KMY10-16511-00000
R321	RMC 1 103F TE	KMY10-16514-10331
R322	RMC 1 103F TE	KMY10-16514-10331
R323	RGC 1/10C 223D TP	KMY10-16511-22381
R324	RGC 1/10C 223D TP	KMY10-16511-22381
R325	RGC 1/10C 223D TP	KMY10-16511-22381
R326	RGC 1/10C 152D TP	KMY10-16511-15281
R327	RGC 1/10C 100D TP	KMY10-16511-10081
R328	RGC 1/10C 102D TP	KMY10-16511-10281
R329	RGC 1/10C 100D TP	KMY10-16511-10081
R330	RGC 1/10C 682D TP	KMY10-16511-68281
R331	RGC 1/10C 222D TP	KMY10-16511-22281
R332	RGC 1/10C 152D TP	KMY10-16511-15281
R333	RMC 1/10 220KΩF	KMY10-16511-22481
R334	RGC 1/10C 223D TP	KMY10-16511-22381
R335	RGC 1/10C 473D TP	KMY10-16511-47381
VR101	ST-4B 5000Ω	CPL 10-16542-50200
VR201	ST-4B 5000Ω	CPL 10-16542-50200
VR301	ST-4B 5000Ω	CPL 10-16542-50200
< CAPACITORS >		
C101	GRM40B 104K25PT	MUR10-26183-10425
C102	MVJ 16VC 47 F60	NCH 10-26368-47616
C103	UWX 1C 101MCR1GB	NCI 10-26601-10716
C104	UWX 1C 101MCR1GB	NCI 10-26601-10716
C105	GRM40B 104K25PT	MUR10-26183-10425
* C106		
C107	ECQ-M 2332KZ	MAT 10-22123-33277
C108	CM21CH 102J 50VA T A3	KYC 10-26061-10225
C109	GRM40B 222K50PT	MUR10-26183-22250
* C110		
* C111		
C112	GRM40B 222K50PT	MUR10-26183-22250
C113	GRM40B 222K50PT	MUR10-26183-22250
C114	GRM40B 222K50PT	MUR10-26183-22250
C115	GHM1540B 104K630PT	MUR10-75000-00470
C116	CM21CH 2R2C 50VA T J0	KYC 10-26061-02225
C117	DM05C 020D3	SOS 10-23097-02050
C118	NP 2D 101J T	TIT 10-22393-10177
C119	GRM40B 104K25PT	MUR10-26183-10425
C120	GRM40B 103K50PT	MUR10-26183-10325
C121	GRM40B 104K25PT	MUR10-26183-10425
C122	GRM40B 104K25PT	MUR10-26183-10425
C123	ECEA 1CSN100	MAT 10-20135-10616
C124	CM21CH 102J 50VA T A3	KYC 10-26061-10225
C201	GRM40B 104K25PT	MUR10-26183-10425
C202	MVJ 16VC 47 F60	NCH 10-26368-47616
C203	UWX 1C 101MCR1GB	NCI 10-26601-10716
C204	UWX 1C 101MCR1GB	NCI 10-26601-10716
C205	GRM40B 104K25PT	MUR10-26183-10425
* C206		
C207	ECQ-M 2332KZ	MAT 10-22123-33277
C208	CM21CH 102J 50VA T A3	KYC 10-26061-10225
C209	GRM40B 222K50PT	MUR10-26183-22250
* C210		
* C211		
C212	GRM40B 222K50PT	MUR10-26183-22250
C213	GRM40B 222K50PT	MUR10-26183-22250
C214	GRM40B 222K50PT	MUR10-26183-22250
C215	GHM1540B 104K630PT	MUR10-75000-00470
C216	CM21CH 2R2C 50VA T J0	KYC 10-26061-02225
C217	DM05C 020D3	SOS 10-23097-02050
C218	NP 2D 101J T	TIT 10-22393-10177
C219	GRM40B 104K25PT	MUR10-26183-10425
C220	GRM40B 103K50PT	MUR10-26183-10325
C221	GRM40B 104K25PT	MUR10-26183-10425
C222	GRM40B 104K25PT	MUR10-26183-10425



(8) CRT SOCKET BOARD

• CRT SOCKET BOARD (TM14/20-80)

• CRT SOCKET BOARD (TM20-90)

99057-15360 PP-905736 04 0010

99057-15370 PP-905737 01 0010

99057-15380 PP-905738 01 0010

NO. DESCRIPTION MFD.PARTS-CODE

NO. DESCRIPTION MFD.PARTS-CODE

NO. DESCRIPTION MFD.PARTS-CODE

C223 ECEA 1CSN100 MAT 10-20135-10616  
C224 CM21CH 102J 50VA T A3

< RESISTORS >

< RESISTORS >

KYC 10-26061-10225  
C301 GRM40B 104K25PT MUR 10-26183-10425  
C302 MVJ 16VC 47 F60 NCH 10-26368-47616  
C303 UWX 1C 101MCR1GB NCI 10-26601-10716  
C304 UWX 1C 101MCR1GB NCI 10-26601-10716  
C305 GRM40B 104K25PT MUR 10-26183-10425  
\* C306  
C307 ECQ-M 2332KZ MAT 10-22123-33277  
C308 CM21CH 102J 50VA T A3

R 1 RD50S 100Ω KOA 10-12202-10123  
R 2 FRD25SRJ 10Ω RVE 10-12113-10013  
R 3 RD50S 100Ω KOA 10-12202-10123  
R 4 FRD25T2J 100KΩ RVE 10-12112-10413  
R 5 RD50S 100Ω KOA 10-12202-10123  
R 6 FRD25SRJ 10Ω RVE 10-12113-10013  
R 7 RD50S 100Ω KOA 10-12202-10123  
R 8 FRD25SRJ 10Ω RVE 10-12113-10013

R 1 FRD25T2J 220Ω RVE 10-12112-22113  
\* R 2  
R 3 FRD25SRJ 10Ω RVE 10-12113-10013  
R 4 FRD25T2J 100KΩ RVE 10-12112-10413  
\* R 5  
R 6 FRD25SRJ 10Ω RVE 10-12113-10013  
\* R 7  
\* R 8  
R 9 FRD25SRJ 10Ω RVE 10-12113-10013

KYC 10-26061-10225

< CAPACITORS >

\* VR 1

C309 GRM40B 222K50PT MUR 10-26183-22250

C 1 DE0707B 471K 3KV MUR 10-24100-47192

< CAPACITORS >

\* C310

< INDUCTANCE COILS >

< CAPACITORS >

\* C311

< INDUCTANCE COILS >

C 1 DE0707B 471K 3KV MUR 10-24100-47192

C312 GRM40B 222K50PT MUR 10-26183-22250

< INDUCTANCE COILS >

C313 GRM40B 222K50PT MUR 10-26183-22250

\* L 1

C314 GRM40B 222K50PT MUR 10-26183-22250

\* L 2

C315 GHM1540B 104K630PT MUR 10-75000-00470

\* L 3

< INDUCTANCE COILS >

C316 CM21CH 2R2C 50VA T J0

< CONNECTORS >

\* L 1

C317 DM05C 020D3 SOS 10-23097-02050

< CONNECTORS >

\* L 2

C318 NP 2D 101J T TIT 10-22393-10177

CN204 DF1B-2S-2.5R HIR 10-30079-10250

\* L 3

C319 GRM40B 104K25PT MUR 10-26183-10425

CN224 SZ-0010-29 SMK 10-51851-00100

< CONNECTORS >

C320 GRM40B 103K50PT MUR 10-26183-10325

CN929 1951P MLX 10-30561-00100

C321 GRM40B 104K25PT MUR 10-26183-10425

1380-TL MLX 10-30562-00100

C322 GRM40B 104K25PT MUR 10-26183-10425

CN936 DF1-4P-2.5DSA HIR 10-30079-00402

C323 ECEA 1CSN100 MAT 10-20135-10616

CN937 DF1-4P-2.5DSA HIR 10-30079-00402

C324 CM21CH 102J 50VA T A3

CN938 DF1-4P-2.5DSA HIR 10-30079-00402

KYC 10-26061-10225

CN950 XB-0865 SMK 10-54307-00100

C401 ECEA 2DU330W MAT 10-20125-33677

< TEST POLES >

\* L 1

VC101 ECV 1ZW 20X53T MAT 10-25010-00300

< TEST POLES >

\* L 2

VC201 ECV 1ZW 20X53T MAT 10-25010-00300

\* TP 1

VC301 ECV 1ZW 20X53T MAT 10-25010-00300

\* TP 2

< INDUCTANCE COILS >

\* TP 3

L101 ELJFC 6R8K MAT 10-39403-06800

\* TP 4

L201 ELJFC 6R8K MAT 10-39403-06800

\* TP 5

L301 ELJFC 6R8K MAT 10-39403-06800

TB907 62409-1 AMP 10-30801-02400

< TEST POLES >

< CONNECTORS >

< OTHERS >

CN213 HIF3FC-20PA-2.54DSA HIR 10-30164-08200

SK 1 Y08UZ-230 SKO 10-59003-00301

CN214 DF1-2P-2.5DSA HIR 10-30079-00200

SK 2 Y08UZ-230 SKO 10-59003-00301

CN215 DF1-2P-2.5DSA HIR 10-30079-00200

SK 3 Y08UZ-230 SKO 10-59003-00301

CN216 DF1-2P-2.5DSA HIR 10-30079-00200

SK 4 Y08UZ-230 SKO 10-59003-00301

CN217 DF1-2P-2.5DSA HIR 10-30079-00200

< TEST POLES >

CA909 ST-901410 SWC 10-66995-14100

TP101 EYF6CU MAT 10-39520-00600

CA910 ST-901411 SWC 10-66995-14110

TP102 EYF6CU MAT 10-39520-00600

CA911 ST-901412 SWC 10-66995-14120

TP201 EYF6CU MAT 10-39520-00600

CA912 ST-901413 SWC 10-66995-14130

TP202 EYF6CU MAT 10-39520-00600

TP301 EYF6CU MAT 10-39520-00600

TP302 EYF6CU MAT 10-39520-00600

TB907 62409-1 AMP 10-30801-02400

\* TB908

< OTHERS >

SK 1 Y08UZ-230 SKO 10-59003-00301

SK 2 Y08UZ-230 SKO 10-59003-00301

SK 3 Y08UZ-230 SKO 10-59003-00301

SK 4 Y08UZ-230 SKO 10-59003-00301

CA909 ST-901410 SWC 10-66995-14100

CA910 ST-901411 SWC 10-66995-14110

CA911 ST-901412 SWC 10-66995-14120

CA912 ST-901413 SWC 10-66995-14130

(9) DEF BOARD

• DEF BOARD (COMMON)

99057-15390 PP-905739 01 0010			99057-15390 PP-905739 02 0010			99057-15390 PP-905739 03 0010		
NO.	DESCRIPTION	MFD.PARTS-CODE	NO.	DESCRIPTION	MFD.PARTS-CODE	NO.	DESCRIPTION	MFD.PARTS-CODE
< INTEGRATED CIRCUITS >			TR710	FN1A4M	NEC 10-05151-01000	R109	RGC 1/10C 103D TP	KMY 10-16511-10381
IC101	NJM7812FA	JRC 10-01392-00223	< DIODES >			R110	RGC 1/10C 102D TP	KMY 10-16511-10281
IC102	NJM7912FA	JRC 10-01392-00520	D101	DSA14E-TR	SYO 10-06120-00010	R111	RGC 1/10C 103D TP	KMY 10-16511-10381
IC103	NJM7805FA	JRC 10-01392-00221	D102	DSA14E-TR	SYO 10-06120-00010	R112	RGC 1/10C 332D TP	KMY 10-16511-33281
IC104	UPD4051BG	NEC 10-04784-02800	D103	DSA14E-TR	SYO 10-06120-00010	R113	RGC 1/10C 332D TP	KMY 10-16511-33281
IC105	UPD4051BG	NEC 10-04784-02800	D104	DSA14E-TR	SYO 10-06120-00010	R114	RGC 1/10C 103D TP	KMY 10-16511-10381
IC106	NJU3718G	JRC 10-04395-00011	D105	DSA14E-TR	SYO 10-06120-00010	R115	RGC 1/10C 102D TP	KMY 10-16511-10281
IC107	TL062CPS	TEX 10-04574-00200	D106	DSA14E-TR	SYO 10-06120-00010	R116	RGC 1/10C 102D TP	KMY 10-16511-10281
IC108	TL062CPS	TEX 10-04574-00200	D107	1SS123-A7	NEC 10-06813-00600	R117	RGC 1/10C 102D TP	KMY 10-16511-10281
IC109	TL062CPS	TEX 10-04574-00200	D108	1SS123-A7	NEC 10-06813-00600	R121	RGC 1/10C 220D TP	KMY 10-16511-22081
IC110	TL062CPS	TEX 10-04574-00200	D109	1SS123-A7	NEC 10-06813-00600	R122	RGC 1/10C 220D TP	KMY 10-16511-22081
IC111	TL062CPS	TEX 10-04574-00200	D110	1SS123-A7	NEC 10-06813-00600	R123	RGC 1/10C 220D TP	KMY 10-16511-22081
IC201	UPC4558G2	NEC 10-04783-01000	D111	1SS123-A7	NEC 10-06813-00600	R124	RGC 1/10C 103D TP	KMY 10-16511-10381
IC202	UPC4558G2	NEC 10-04783-01000	D112	1SS123-A7	NEC 10-06813-00600	R203	RGC 1/10C 682D TP	KMY 10-16511-68281
IC203	UPC4558G2	NEC 10-04783-01000	D113	1SS123-A7	NEC 10-06813-00600	R204	RGC 1/10C 472D TP	KMY 10-16511-47281
IC204	TC74HC4053AFT	TOS 10-04572-00038	D114	1SS123-A7	NEC 10-06813-00600	R205	RGC 1/10C 222D TP	KMY 10-16511-22281
IC205	UPC1883CT	NEC 10-04784-03000	D118	1SS123-A7	NEC 10-06813-00600	R206	RGC 1/10C 103D TP	KMY 10-16511-10381
IC206	UPC4558G2	NEC 10-04783-01000	D201	RD6R2MB	NEC 10-06513-01600	R207	RGC 1/10C 222D TP	KMY 10-16511-22281
IC207	UPD4053BG	NEC 10-04784-03000	D202	1SS123-A7	NEC 10-06813-00600	R208	RGC 1/10C 562D TP	KMY 10-16511-56281
IC208	TC74HC123AF	TOS 10-04572-10301	D203	DSA14E-TR	SYO 10-06120-00010	R209	RGC 1/10C 332D TP	KMY 10-16511-33281
IC209	TL082CPS	TEX 10-04574-00500	D204	DSA14E-TR	SYO 10-06120-00010	R210	RGC 1/10C 103D TP	KMY 10-16511-10381
IC210	UPC4558G2	NEC 10-04783-01000	D205	RD9R1MB	NEC 10-06513-02200	R211	RGC 1/10C 683D TP	KMY 10-16511-68381
IC211	NJM78L09UA	JRC 10-04392-07304	D401	1S2838-A6	NEC 10-06812-03500	R212	RGC 1/10C 473D TP	KMY 10-16511-47381
IC401	LA7876	SYO 10-01333-00711	D402	DFH10TG	SYO 10-03093-00200	R213	RGC 1/10C 222D TP	KMY 10-16511-22281
IC402	UPD4053BG	NEC 10-04784-03000	D403	DFH10TG	SYO 10-03093-00200	R214	RGC 1/10C 562D TP	KMY 10-16511-56281
IC403	TC74HC238AF	TOS 10-04572-10690	D501	1S2838-A6	NEC 10-06812-03500	R215	RGC 1/10C 332D TP	KMY 10-16511-33281
IC404	TC4W66F	TOS 10-04572-09660	D502	DFC15TR	SYO 10-03093-00300	R216	RMC 1/10 JP	KMY 10-16511-00000
IC502	TL082CPS	TEX 10-04574-00500	D503	DFC15TR	SYO 10-03093-00300	R217	RGC 1/10C 473D TP	KMY 10-16511-47381
IC531	TC74HC123AF	TOS 10-04572-10301	D504	RD12MB	NEC 10-06513-02500	R218	RGC 1/10C 222D TP	KMY 10-16511-22281
IC533	TL082CPS	TEX 10-04574-00500	D506	DSA14E-TR	SYO 10-06120-00010	R219	RGC 1/10C 562D TP	KMY 10-16511-56281
IC561	UPC4558G2	NEC 10-04783-01000	D531	1SS123-A7	NEC 10-06813-00600	R220	RGC 1/10C 332D TP	KMY 10-16511-33281
IC601	TL082CPS	TEX 10-04574-00500	D532	1S2838-A6	NEC 10-06812-03500	R221	RMC 1/10 JP	KMY 10-16511-00000
IC602	UPC358G2	NEC 10-04783-00450	D533	AA1102W-TR	STL 10-06005-01100	R222	RGC 1/10C 473D TP	KMY 10-16511-47381
IC603	TD62504FB	TOS 10-04573-06250	D534	1SS123-A7	NEC 10-06813-00600	R223	RGC 1/10C 562D TP	KMY 10-16511-56281
IC701	UPC4558G2	NEC 10-04783-01000	D535	1S2838-A6	NEC 10-06812-03500	R224	RGC 1/10C 332D TP	KMY 10-16511-33281
IC702	PS2652L2	NEC 10-09451-26521	D536	AA1102W-TR	STL 10-06005-01100	R225	RMC 1/10 150KΩF	KMY 10-16511-15481
IC703	TC74HC123AF	TOS 10-04572-10301	D539	PG1102W-TR	STL 10-06453-01100	R226	RGC 1/10C 222D TP	KMY 10-16511-22281
IC704	TL7700CPS	TEX 10-04574-01900	D561	DSA14E-TR	SYO 10-06120-00010	R227	RGC 1/10C 103D TP	KMY 10-16511-10381
< TRANSISTORS >			D562	DSA14E-TR	SYO 10-06120-00010	R228	RGC 1/10C 683D TP	KMY 10-16511-68381
TR204	XN4601TX	MAT 10-05691-04600	D563	DSA14E-TR	SYO 10-06120-00010	R229	RGC 1/10C 103D TP	KMY 10-16511-10381
TR205	2SC3398	SYO 10-05824-02400	D564	DSA14E-TR	SYO 10-06120-00010	R230	RGC 1/10C 683D TP	KMY 10-16511-68381
TR206	2SC3398	SYO 10-05824-02400	D601	RD2R0MB	NEC 10-06513-00200	R233	RGC 1/10C 562D TP	KMY 10-16511-56281
TR207	2SC3398	SYO 10-05824-02400	D604	1SS123-A7	NEC 10-06813-00600	R234	RGC 1/10C 472D TP	KMY 10-16511-47281
TR208	2SC1623-L6.7	NEC 10-05824-00100	D605	1SS123-A7	NEC 10-06813-00600	R235	RGC 1/10C 103D TP	KMY 10-16511-10381
TR209	2SC1623-L6.7	NEC 10-05824-00100	D607	DSA14E-TR	SYO 10-06120-00010	R236	RMC 1/10 120KΩF	KMY 10-16511-12481
TR501	2SA812-M6	NEC 10-05822-04000	D608	DFH10TG	SYO 10-03093-00200	R237	RGC 1/10C 332D TP	KMY 10-16511-33281
TR531	2SC3398	SYO 10-05824-02400	D609	DFH10TG	SYO 10-03093-00200	R238	RGC 1/10C 332D TP	KMY 10-16511-33281
TR532	2SC3398	SYO 10-05824-02400	D610	1S2838-A4	NEC 10-06812-03400	R243	RGC 1/10C 102D TP	KMY 10-16511-10281
TR533	2SC3398	SYO 10-05824-02400	D611	DFH10TG	SYO 10-03093-00200	R244	RGC 1/10C 102D TP	KMY 10-16511-10281
TR534	FN1A4M	NEC 10-05151-01000	D614	5VUZ52	TOS 10-03853-10525	R245	RGC 1/10C 102D TP	KMY 10-16511-10281
TR561	2SD1264P	MAT 10-02825-03910	D615	1S2838-A4	NEC 10-06812-03400	R248	RGC 1/10C 102D TP	KMY 10-16511-10281
TR562	2SB940A-Q	MAT 10-02823-01200	D616	DFH10TG	SYO 10-03093-00200	R249	RGC 1/10C 332D TP	KMY 10-16511-33281
TR603	2SC3631K-Z	NEC 10-05824-02730	D617	DSA14E-TR	SYO 10-06120-00010	R250	RGC 1/10C 752D TP	KMY 10-16511-75281
TR604	2SD1264P	MAT 10-02825-03910	D619	1S2838-A4	NEC 10-06812-03400	R251	RGC 1/10C 102D TP	KMY 10-16511-10281
TR606	2SC3631K-Z	NEC 10-05824-02730	D701	1S2838-A6	NEC 10-06812-03500	R252	RGC 1/10C 102D TP	KMY 10-16511-10281
TR607	2SD1047E	SYO 10-02825-03220	D703	DFH10TG	SYO 10-03093-00200	R253	RGC 1/10C 332D TP	KMY 10-16511-33281
	TC45BG	SKK 10-59001-01000	D704	DFH10TG	SYO 10-03093-00200	R254	RGC 1/10C 332D TP	KMY 10-16511-33281
TR608	2SK2952	TOS 10-75000-02380	D706	1S2838-A6	NEC 10-06812-03500	R255	RGC 1/10C 332D TP	KMY 10-16511-33281
TR610	2SC1623-L6.7	NEC 10-05824-00100	D707	1S2838-A6	NEC 10-06812-03500	R256	RGC 1/10C 332D TP	KMY 10-16511-33281
TR612	2SC3398	SYO 10-05824-02400	D709	1S2838-A4	NEC 10-06812-03400	R257	RGC 1/10C 472D TP	KMY 10-16511-47281
TR613	FN1A4M	NEC 10-05151-01000	D711	1SS294 TE85R	TOS 10-06813-02100	R258	RGC 1/10C 102D TP	KMY 10-16511-10281
TR616	2SB940A-Q	MAT 10-02823-01200	D712	1S2838-A6	NEC 10-06812-03500	R259	RGC 1/10C 102D TP	KMY 10-16511-10281
TR617	2SD1264P	MAT 10-02825-03910	D713	1S2838-A6	NEC 10-06812-03500	R260	RGC 1/10C 752D TP	KMY 10-16511-75281
TR702	XN4601TX	MAT 10-05691-04600	D714	1S2838-A6	NEC 10-06812-03500	R261	RGC 1/10C 152D TP	KMY 10-16511-15281
TR703	2SD1264P	MAT 10-02825-03910	< RESISTORS >			R262	RGC 1/10C 472D TP	KMY 10-16511-47281
TR706	2SC3398	SYO 10-05824-02400	R101	RGC 1/10C 102D TP	KMY 10-16511-10281	R263	RGC 1/10C 472D TP	KMY 10-16511-47281
TR707	2SC3398	SYO 10-05824-02400	R102	RGC 1/10C 102D TP	KMY 10-16511-10281	R264	RGC 1/10C 103D TP	KMY 10-16511-10381
TR708	2SC3398	SYO 10-05824-02400	R103	RGC 1/10C 102D TP	KMY 10-16511-10281	R265	RGC 1/10C 101D TP	KMY 10-16511-10181
TR709	2SC3398	SYO 10-05824-02400	R104	RGC 1/10C 102D TP	KMY 10-16511-10281	R266	RGC 1/10C 104D TP	KMY 10-16511-10481
			R105	RGC 1/10C 102D TP	KMY 10-16511-10281	R268	RGC 1/10C 332D TP	KMY 10-16511-33281
			R106	RGC 1/10C 103D TP	KMY 10-16511-10381	R269	RGC 1/10C 104D TP	KMY 10-16511-10481
			R107	RGC 1/10C 103D TP	KMY 10-16511-10381	R270	RGC 1/10C 332D TP	KMY 10-16511-33281
			R108	RGC 1/10C 103D TP	KMY 10-16511-10381	R271	RGC 1/10C 104D TP	KMY 10-16511-10481
						R272	RGC 1/10C 332D TP	KMY 10-16511-33281
						R273	RMC 1/10 1MΩF	KMY 10-16511-10581
						R274	RGC 1/10C 222D TP	KMY 10-16511-22281

99057-15390	PP-905739	04	0010	99057-15390	PP-905739	05	0010	99057-15390	PP-905739	06	0010
NO.	DESCRIPTION	MFD.PARTS-CODE		NO.	DESCRIPTION	MFD.PARTS-CODE		NO.	DESCRIPTION	MFD.PARTS-CODE	
R275	RMC 1/10 1M $\Omega$ F	KMY10-16511-10581		R562	RGC 1/10C 103D TP	KMY10-16511-10381		R739	RGC 1/10C 103D TP	KMY10-16511-10381	
R276	RGC 1/10C 332D TP	KMY10-16511-33281		R563	RGC 1/10C 332D TP	KMY10-16511-33281		R740	RD50S 220K $\Omega$ J	KOA 10-12202-22423	
R277	RMC 1/10 1M $\Omega$ F	KMY10-16511-10581		R564	RGC 1/10C 103D TP	KMY10-16511-10381		VR207	ST-4B 10K $\Omega$	CPL 10-16542-10300	
R278	RGC 1/10C 332D TP	KMY10-16511-33281		R565	RGC 1/10C 104D TP	KMY10-16511-10481		VR210	ST-4B 10K $\Omega$	CPL 10-16542-10300	
R279	RGC 1/10C 123D TP	KMY10-16511-12381		R566	RGC 1/10C 103D TP	KMY10-16511-10381		VR211	ST-4B 10K $\Omega$	CPL 10-16542-10300	
R280	RMC 1/10 150K $\Omega$ F	KMY10-16511-15481		R567	RMC 1 100F TE	KMY10-16514-10031		VR212	ST-4B 2000 $\Omega$	CPL 10-16542-20200	
R281	RMC 1/10 150K $\Omega$ F	KMY10-16511-15481		R568	RMC 1 100F TE	KMY10-16514-10031		VR213	ST-4B 5000 $\Omega$	CPL 10-16542-50200	
R282	RMC 1/10 150K $\Omega$ F	KMY10-16511-15481		R602	RGC 1/10C 472D TP	KMY10-16511-47281		VR214	ST-4B 2000 $\Omega$	CPL 10-16542-20200	
R283	RGC 1/10C 103D TP	KMY10-16511-10381		R603	RGC 1/10C 103D TP	KMY10-16511-10381		VR401	ST-4B 10K $\Omega$	CPL 10-16542-10300	
R284	RGC 1/10C 103D TP	KMY10-16511-10381		R604	RGC 1/10C 103D TP	KMY10-16511-10381		VR402	ST-4B 50K $\Omega$	CPL 10-16542-50300	
R285	RGC 1/10C 222D TP	KMY10-16511-22281		R605	RGC 1/10C 103D TP	KMY10-16511-10381		VR501	ST-4B 10K $\Omega$	CPL 10-16542-10300	
R286	RGC 1/10C 562D TP	KMY10-16511-56281		R606	RGC 1/10C 103D TP	KMY10-16511-10381		VR502	ST-4B 10K $\Omega$	CPL 10-16542-10300	
R287	RGC 1/10C 562D TP	KMY10-16511-56281		R607	RGC 1/10C 103D TP	KMY10-16511-10381		VR503	ST-4B 50K $\Omega$	CPL 10-16542-50300	
R288	RGC 1/10C 103D TP	KMY10-16511-10381		R608	RMC 1 103F TE	KMY10-16514-10331		VR603	ST-4B 20K $\Omega$	CPL 10-16542-20300	
R289	RGC 1/10C 102D TP	KMY10-16511-10281		R611	RGC 1/10C 823D TP	KMY10-16511-82381		VR703	ST-4B 5000 $\Omega$	CPL 10-16542-50200	
R290	RGC 1/10C 331D TP	KMY10-16511-33181		R612	RGC 1/10C 823D TP	KMY10-16511-82381		VR704	ST-4B 50K $\Omega$	CPL 10-16542-50300	
R291	RGC 1/10C 472D TP	KMY10-16511-47281		R613	RGC 1/10C 823D TP	KMY10-16511-82381		VR705	GF-06UT2 20K $\Omega$	COS 10-15194-20300	
R292	RGC 1/10C 102D TP	KMY10-16511-10281		R614	RGC 1/10C 512D TP	KMY10-16511-51281					
R293	RGC 1/10K 220D TP	KMY10-16511-22081		R615	RMC 1 101F TE	KMY10-16514-10131		< CAPACITORS >			
R294	RGC 1/10K 220D TP	KMY10-16511-22081		R616	RMC 1 101F TE	KMY10-16514-10131		C101	UWX 1V 100MCR1GB	NCI 10-26601-10635	
R295	RGC 1/10K 220D TP	KMY10-16511-22081		R617	RGC 1/10C 221D TP	KMY10-16511-22181		C102	ECA 1EM101	MAT10-20121-10725	
R296	RGC 1/10K 220D TP	KMY10-16511-22081		R618	RMC 1/10 JP	KMY10-16511-00000		C103	UWX 1C 101MCR1GB	NCI 10-26601-10716	
R297	RMC 1 100F TE	KMY10-16514-10031		R619	RGC 1/10C 103D TP	KMY10-16511-10381		C104	UWX 1V 100MCR1GB	NCI 10-26601-10635	
R401	RMC 1/10 JP	KMY10-16511-00000		R620	RMC 1 102F TE	KMY10-16514-10231		C105	ECA 1EM101	MAT10-20121-10725	
R404	RGC 1/10C 823D TP	KMY10-16511-82381		R621	RGC 1/10K 220D TP	KMY10-16511-22081		C106	UWX 1C 101MCR1GB	NCI 10-26601-10716	
R411	RGC 1/10C 332D TP	KMY10-16511-33281		R622	RGC 1/10K 220D TP	KMY10-16511-22081		C107	UWX 1V 100MCR1GB	NCI 10-26601-10635	
R412	RGC 1/10C 222D TP	KMY10-16511-22281		R623	RGC 1/10K 220D TP	KMY10-16511-22081		C108	UWX 1C 101MCR1GB	NCI 10-26601-10716	
R415	RGC 1/10C 103D TP	KMY10-16511-10381		R624	RGC 1/10K 220D TP	KMY10-16511-22081		C109	MVK 6.3VC 100 F55	NCH 10-26364-10706	
R417	RMC 1/10 JP	KMY10-16511-00000		R629	RGC 1/10C 472D TP	KMY10-16511-47281		C110	MVJ 16VC 47 F60	NCH 10-26368-47616	
R418	RGC 1/10C 153D TP	KMY10-16511-15381		R639	RD50SST26 220 $\Omega$ J	KOA 10-12203-22123		C111	GRM40B 473K 25PT	MUR10-26183-47325	
R420	RD50SST26 220 $\Omega$ J	KOA 10-12203-22123		R640	RMC 1 103F TE	KMY10-16514-10331		C112	MVJ 16VC 47 F60	NCH 10-26368-47616	
R424	ERX-1SJ 1R0	MAT10-11020-01033		R647	RD50SST26 10 $\Omega$ J	KOA 10-12203-10023		C113	GRM40B 473K 25PT	MUR10-26183-47325	
R425	ERX-1SJ 1R0	MAT10-11020-01033		R648	RGC 1/10C 103D TP	KMY10-16511-10381		C114	GRM40B 104K25PT	MUR10-26183-10425	
R428	RMC 1 100F TE	KMY10-16514-10031		R649	RGC 1/10C 103D TP	KMY10-16511-10381		C115	GRM40B 104K25PT	MUR10-26183-10425	
R429	RMC 1 100F TE	KMY10-16514-10031		R650	RGC 1/10C 333D TP	KMY10-16511-33381		C116	GRM40B 223K50PT	MUR10-26183-22350	
R501	RGC 1/10C 103D TP	KMY10-16511-10381		R651	RGC 1/10C 222D TP	KMY10-16511-22281		C117	GRM40B 223K50PT	MUR10-26183-22350	
R502	RGC 1/10C 392D TP	KMY10-16511-39281		R652	RGC 1/10C 103D TP	KMY10-16511-10381		C118	GRM40B 223K50PT	MUR10-26183-22350	
R503	RGC 1/10C 273D TP	KMY10-16511-27381		R653	RGC 1/10C 101D TP	KMY10-16511-10181		C119	GRM40B 223K50PT	MUR10-26183-22350	
R504	RGC 1/10C 332D TP	KMY10-16511-33281		R654	RGC 1/10C 103D TP	KMY10-16511-10381		C120	GRM40B 223K50PT	MUR10-26183-22350	
R505	RGC 1/10C 273D TP	KMY10-16511-27381		R655	RGC 1/10C 682D TP	KMY10-16511-68281		C121	GRM40B 223K50PT	MUR10-26183-22350	
R506	RGC 1/10C 332D TP	KMY10-16511-33281		R657	RGC 1/10C 103D TP	KMY10-16511-10381		C122	GRM40B 223K50PT	MUR10-26183-22350	
R507	RGC 1/10C 104D TP	KMY10-16511-10481		R658	RGC 1/10C 102D TP	KMY10-16511-10281		C123	GRM40B 223K50PT	MUR10-26183-22350	
R508	RGC 1/10C 682D TP	KMY10-16511-68281		R659	ERG-2SJ 331	MAT10-11019-33143		C124	GRM40B 223K50PT	MUR10-26183-22350	
R509	RGC 1/10C 472D TP	KMY10-16511-47281		R661	RGC 1/10C 221D TP	KMY10-16511-22181		C125	GRM40B 223K50PT	MUR10-26183-22350	
R510	RGC 1/10C 103D TP	KMY10-16511-10381		R662	RGC 1/10C 221D TP	KMY10-16511-22181		C126	MVJ 16VC 47 F60	NCH 10-26368-47616	
R511	RGC 1/10C 102D TP	KMY10-16511-10281		R663	RGC 1/10C 221D TP	KMY10-16511-22181		C127	GRM40B 104K25PT	MUR10-26183-10425	
R512	RGC 1/10C 222D TP	KMY10-16511-22281		R680	RMC 1 104F TE	KMY10-16514-10431		C128	MVJ 16VC 47 F60	NCH 10-26368-47616	
R513	RGC 1/10C 152D TP	KMY10-16511-15281		R681	RMC 1 104F TE	KMY10-16514-10431		C129	GRM40B 104K25PT	MUR10-26183-10425	
R514	RGC 1/10C 332D TP	KMY10-16511-33281		R701	RGC 1/10C 273D TP	KMY10-16511-27381		C201	GRM40B 104K25PT	MUR10-26183-10425	
R515	RGC 1/10C 103D TP	KMY10-16511-10381		R702	RGC 1/10C 333D TP	KMY10-16511-33381		C202	GRM40B 104K25PT	MUR10-26183-10425	
R516	RGC 1/10C 223D TP	KMY10-16511-22381		R703	RGC 1/10C 623D TP	KMY10-16511-62381		C203	GRM40B 104K25PT	MUR10-26183-10425	
R517	RGC 1/10C 223D TP	KMY10-16511-22381		R704	RGC 1/10C 103D TP	KMY10-16511-10381		C204	GRM40B 104K25PT	MUR10-26183-10425	
R518	RGC 1/10C 103D TP	KMY10-16511-10381		R705	RGC 1/10C 152D TP	KMY10-16511-15281		C205	GRM40B 104K25PT	MUR10-26183-10425	
R519	RGC 1/10C 472D TP	KMY10-16511-47281		R706	RGC 1/10C 683D TP	KMY10-16511-68381		C206	GRM40B 104K25PT	MUR10-26183-10425	
R520	RGC 1/10C 103D TP	KMY10-16511-10381		R707	RGC 1/10C 103D TP	KMY10-16511-10381		C207	GRM40B 104K25PT	MUR10-26183-10425	
R521	RGC 1/10C 222D TP	KMY10-16511-22281		R708	RGC 1/10C 103D TP	KMY10-16511-10381		C208	GRM40B 104K25PT	MUR10-26183-10425	
R522	RGC 1/10K 220D TP	KMY10-16511-22081		R709	RGC 1/10C 222D TP	KMY10-16511-22281		C209	GRM40B 104K25PT	MUR10-26183-10425	
R523	RGC 1/10K 220D TP	KMY10-16511-22081		R710	RGC 1/10C 332D TP	KMY10-16511-33281		C210	GRM40B 104K25PT	MUR10-26183-10425	
R526	RGC 1/10C 102D TP	KMY10-16511-10281		R713	RGC 1/10C 101D TP	KMY10-16511-10181		C211	GRM40B 104K25PT	MUR10-26183-10425	
R527	RMC 1/10 330K $\Omega$ F	KMY10-16511-33481		R714	RMC 1/10 150K $\Omega$ F	KMY10-16511-15481		C212	GRM40B 104K25PT	MUR10-26183-10425	
R528	ERX-1SJ 1R5	MAT10-11020-01533		R715	RGC 1/10C 103D TP	KMY10-16511-10381		C213	GRM40B 104K25PT	MUR10-26183-10425	
R529	ERX-1SJ 1R5	MAT10-11020-01533		R716	ERX-1SJ 1R0	MAT10-11020-01033		C214	GRM40B 104K25PT	MUR10-26183-10425	
R531	RGC 1/10C 473D TP	KMY10-16511-47381		R718	RGC 1/10C 682D TP	KMY10-16511-68281		C215	MVJ 16VC 47 F60	NCH 10-26368-47616	
R533	RGC 1/10C 104D TP	KMY10-16511-10481		R720	RMC 1/10 JP	KMY10-16511-00000		C216	GRM40B 104K25PT	MUR10-26183-10425	
R534	RGC 1/10C 472D TP	KMY10-16511-47281		R721	RD50S 220K $\Omega$ J	KOA 10-12202-22223		C217	GRM40B 104K25PT	MUR10-26183-10425	
R535	RGC 1/10C 103D TP	KMY10-16511-10381		R722	ERG-2SJ 102	MAT10-11019-10243		C218	GRM40B 104K25PT	MUR10-26183-10425	
R539	RGC 1/10C 103D TP	KMY10-16511-10381		R727	RGC 1/10C 103D TP	KMY10-16511-10381		C221	GRM40B 104K25PT	MUR10-26183-10425	
R540	RGC 1/10C 104D TP	KMY10-16511-10481		R728	RGC 1/10C 332D TP	KMY10-16511-33281		C222	DN 1V R33M IS	NEC 10-21091-33435	
R541	RGC 1/10C 473D TP	KMY10-16511-47381		R729	RGC 1/10C 153D TP	KMY10-16511-15381		C223	MVJ 16VC 22 E60	NCH 10-26368-22616	
R543	RMC 1/10 680K $\Omega$ F	KMY10-16511-68481		R730	RGC 1/10C 823D TP	KMY10-16511-82381		C224	GRM40B 104K25PT	MUR10-26183-10425	
R544	RGC 1/10C 472D TP	KMY10-16511-47281		R733	RMC 1/10 680K $\Omega$ F	KMY10-16511-68481		C225	GRM40B 104K25PT	MUR10-26183-10425	
R548	RGC 1/10C 472D TP	KMY10-16511-47281		R734</							



## (10) H.V OUT BOARD

## • DEF BOARD (TM14/20-80/90)

99057-15410 PP-905741 01 0010

NO. DESCRIPTION MFD.PARTS-CODE

## &lt; TRANSISTORS &gt;

\* TR609  
TC45BG SKK 10-59001-01004

## &lt; RESISTORS &gt;

R298 RGC 1/10C 822D TP KMY10-16511-82281  
R299 RGC 1/10C 102D TP KMY10-16511-10281  
R641 ERX-3SJ R47 MAT 10-11022-96553  
R656 RGC 1/10C 473D TP KMY10-16511-47381  
R723 ERG-2SJ 330 MAT 10-11019-33043  
R731 RMC 1/10 JP KMY10-16511-00000

## &lt; CAPACITORS &gt;

C618 DKR 222J 2000V D00 SIN 10-22104-22291  
C619 DKR 332J 2000V D00 SIN 10-22104-33291  
C624 CM21CH 470J 50VA T S1  
KYC 10-26061-47025  
C627 DHS 155J/200V SIN 10-22097-15577

## &lt; INDUCTANCE COILS &gt;

\* L601

## &lt; TRANSFORMERS &gt;

T603 CT101 TDK 10-40061-01010

## • H.V OUT BOARD(COMMON)

99057-15030 PP-905703 01 0010

NO. DESCRIPTION MFD.PARTS-CODE

## &lt; INTEGRATED CIRCUITS &gt;

★ IC 1 MSPAD101 MUR 10-75000-02370

## &lt; TRANSISTORS &gt;

TR 1 2SK1120 TOS 10-75000-02400  
TC45BG SKK 10-59001-01000

## &lt; DIODES &gt;

D 1 FMG-G3CS SKN 10-75000-02410  
D 2 FMG-G3CS SKN 10-75000-02410  
D 3 ERB38-04 FJE 10-75000-02420  
D 4 ERB38-04 FJE 10-75000-02420  
D 5 1S1588 TPB2 TOS 10-03812-01201  
D 6 1S1588 TPB2 TOS 10-03812-01201  
D 7 1S1588 TPB2 TOS 10-03812-01201  
D 8 1S1588 TPB2 TOS 10-03812-01201

## &lt; RESISTORS &gt;

★ R 1 ERX-3SJ R22 MAT 10-75000-02440  
R 2 ERG-2SJ 331 MAT 10-11019-33143  
★ R 3 ERDS1TJ 124 MAT 10-12111-12423  
★ R 4 FRD25T2J 10KΩ RVE 10-12112-10313  
★ R 5 ERDS2TJ 334 T MAT 10-12108-33413  
★ R 6 ERDS2TJ 334 T MAT 10-12108-33413  
★ R 7 FRD25T2J 10KΩ RVE 10-12112-10313  
★ R 8 ERDS2TJ 334 T MAT 10-12108-33413  
★ R 9 ERDS2TJ 334 T MAT 10-12108-33413  
\* R 10  
R 21 FRD25T2J 1R0KΩ RVE 10-12112-10213  
R 22 ERDS1VJ 220 T MAT 10-12106-22023★ \* VR 1  
★ \* VR 2

## &lt; CAPACITORS &gt;

C 1 ECEA 1JU100 B MAT 10-20123-10663  
★ C 2 DKR 182J 1600V D00 SIN 10-22104-18290  
★ C 3 DKR 182J 1600V D00 SIN 10-22104-18290  
C 4 DTW 103J 200V SIN 10-22100-10377  
C 5 ECEA 2CU330W MAT 10-20125-33676  
C 6 DFZ 225J 250V SIN 10-22102-22578  
C 7 ECEA 1JU100 B MAT 10-20123-10663  
C 8 ECEA 2AU4R7 B MAT 10-20123-47572

## &lt; INDUCTANCE COILS &gt;

L 1 TSL0709S-101KR66 TDK 10-40588-10110  
L 2 TSL1112S-100M3R7 TDK 10-75000-02480  
L 3 TSL1110-101K1R0 TDK 10-40586-00304

## &lt; TRANSFORMERS &gt;

★ \* T 1

## &lt; CONNECTORS &gt;

CN208 DF1B-8P-2.5DSA HIR 10-30079-10800  
CN224 TS-80H-01-A1 TAI 10-30423-00350  
CN928 1951R MLX 10-30561-00200  
1381-TL MLX 10-30562-00200

## • H.V OUT BOARD(TM20-90)

99057-15020 PP-905702 01 0010

NO. DESCRIPTION MFD.PARTS-CODE

## &lt; TRANSISTORS &gt;

TR 2 2SC1815-Y TPE2 TOS 10-02824-05702  
TR 3 2SC4710LS SYO 10-02824-21100  
TR 4 2SC4710LS SYO 10-02824-21100

## &lt; DIODES &gt;

D 12 DFH10TG SYO 10-03093-00200

## &lt; RESISTORS &gt;

R 11 FRD25SRJ 100Ω RVE 10-12113-10113  
R 12 FRD25SRJ 100Ω RVE 10-12113-10113  
R 16 ERC-1 GJ 244 MAT 10-13005-24433  
R 17 ERC-1 GJ 244 MAT 10-13005-24433  
\* R 20  
R 23 FRD25T2J 1R0KΩ RVE 10-12112-10213  
R 24 ERG-2SJ 104 MAT 10-11019-10443  
R 25 ERG-2SJ 104 MAT 10-11019-10443

## &lt; CAPACITORS &gt;

C 9 ECEA 1JU100 B MAT 10-20123-10663  
C 10 ECQ-B 1H332JZ4 MAT 10-22136-33250  
C 11 DE0805B 102K 2K MUR 10-24111-10291

## &lt; CONNECTORS &gt;

CN228 00-9090-03-0116-805 ELC 10-30508-10031  
CN930 1951P MLX 10-30561-00100  
1380-TL MLX 10-30562-00100

## &lt; OTHERS &gt;

\* SK 1

(11) POWER BOARD  
 • POWER BOARD (COMMON)

99057-15010 PP-905701 01 0010			99057-15010 PP-905701 02 0010			99057-15010 PP-905701 03 0010		
NO.	DESCRIPTION	MFD.PARTS-CODE	NO.	DESCRIPTION	MFD.PARTS-CODE	NO.	DESCRIPTION	MFD.PARTS-CODE
<b>&lt; INTEGRATED CIRCUITS &gt;</b>								
△ IC101	STK73908	SYO 10-01556-00010	R141	RD25SM 3300Ω	KOA 10-12201-33213	* L105	AB 4X2X6W	TOS 10-42101-00400
IC102	M51995AP	MIT 10-01361-00010	R142	RD25SM 680Ω	KOA 10-12201-68113	* L106	AB 4X2X6W	TOS 10-42101-00400
△ IC103	PC111LS1/PC111LY2	SRP 10-09452-00013	R143	FRD25T2J 1R0KΩ	RVE 10-12112-10213	L107	TSL1110-101K1R0	TDK 10-40586-00304
△ IC104	PC111LS1/PC111LY2	SRP 10-09452-00013	R145	RD25SM 220KΩ	KOA 10-12201-22413	L108	RCH-110 470K	SUM 10-40509-47010
△ IC105	PC111LS1/PC111LY2	SRP 10-09452-00013	R146	RD25SM 1500Ω	KOA 10-12201-15213	L109	RCH-110 101K	SUM 10-40509-10110
★ IC106	TL431CLP	TEX 10-01574-00710	R147	RD25SM 470Ω	KOA 10-12201-47113	L110	RCH-110 101K	SUM 10-40509-10110
IC107	TL431CLP	TEX 10-01574-00710	R151	FRD25T2J 1R0KΩ	RVE 10-12112-10213	L111	SA7X6X4.5D	TOS 10-40559-00300
IC108	TL431CLP	TEX 10-01574-00710	R154	FRD25T2J 47KΩ	RVE 10-12112-47313	<b>&lt; TRANSFORMERS &gt;</b>		
<b>&lt; TRANSISTORS &gt;</b>			R156	RD25SM 75Ω	KOA 10-12201-75013	△ T101	ST-901544A	IKE 10-40985-15440
TR101	2SD1264P	MAT 10-02825-03910	* R157			* T102		
TR102	2SK1465	SYO 10-02828-00014	R161	RD50S 100Ω	KOA 10-12202-10123	△★ T103	ST-902826	IKE 10-40985-28282
	TC-45A	SKK 10-59001-01060	R163	ERX-2SJ 4R7	MAT 10-11021-04743	<b>&lt; FILTERS &gt;</b>		
TR103	2SD1407A-Y	TOS 10-02825-00010	★ VR101	GF-06UT2 1KΩ	COS 10-15194-10200	FLJ01	LFZ35V09	10-43338-00010
TR106	2SD1508	TOS 10-02825-00012	△ TH101	PTH451A100BG5R0M140	MUR 10-19012-00201	<b>&lt; SWITCHES &gt;</b>		
TR108	2SC3402	SYO 10-02824-12900	△ TH102	PTH451A102BF140M270	MUR 10-19012-00203	△ S101	ESB-99897V	MAT 10-34461-00010
TR109	2SA1348	SYO 10-02822-09900	<b>&lt; CAPACITORS &gt;</b>			<b>&lt; RELAYS &gt;</b>		
<b>&lt; DIODES &gt;</b>			△ C101	XE 224-Z	OKA 10-22692-22478	△ RL101	G5PA-1 DC12V	OMR 10-46182-00082
△ D101	S10VB60	SHD 10-03542-01006	△ C102	XE 224-Z	OKA 10-22692-22478	△ RL102	G5PA-1 DC12V	OMR 10-46182-00082
D102	RBV-406	SKN 10-03516-10460	△ C103	ECK-D NA 222ME	MAT 10-24124-22283	△ RL103	G5PA-1 DC12V	OMR 10-46182-00082
D103	RD12FB	NEC 10-03513-02502	△ C104	ECK-D NA 222ME	MAT 10-24124-22283	<b>&lt; CONNECTORS &gt;</b>		
D104	V06C	HIT 10-03631-00200	△ C105	ECOS 2DA681CA	MAT 10-20142-68778	△ CN101	03ME3D	DLT 10-56002-00010
D105	DFC15TR	SYO 10-03093-00300	△ C106	ECOS 2DA681CA	MAT 10-20142-68778	△ CN102	TS-80P-02-V1	TAI 10-30423-00250
D106	DFHI0TG	SYO 10-03093-00200	C107	ECA 2AHG101	MAT 10-20149-10772	△ CN103	TS-80P-02-V1	TAI 10-30423-00250
D107	DFC15TR	SYO 10-03093-00300	C109	ECA 1JHG 100	MAT 10-20149-10663	△ CN104	TS-80P-02-V1	TAI 10-30423-00250
D108	DFHI0TG	SYO 10-03093-00200	C110	DFZ 273J 400V	MAT 10-22102-27383	△ CN105	TS-80P-02-V1	TAI 10-30423-00250
D109	HZS27-2	HIT 10-03214-00010	C113	DE0705B 102K	MUR 10-24119-10288	△ CN106	TS-80H-02-A1	TAI 10-30423-00360
D110	RG4C	SKN 10-03517-00201	C114	ECQ-V 1H334J2	MAT 10-22137-33450	△ CN107	TS-80H-02-A1	TAI 10-30423-00360
D111	FMG-G36S	SKN 10-03157-03150	C116	ECQ-B 1H102JZ4	MAT 10-22136-10250	CN108	A2-12PA-2.54DS	HIR 10-30003-00063
D112	FML-32S	SKN 10-03157-03050	△ C117	ECK-D NA 222ME	MAT 10-24124-22283	CN206	DFIB-16DP-2.5SDSA	HIR 10-30079-11600
D113	FML-32S	SKN 10-03157-03050	△ C118	ECK-D NA 222ME	MAT 10-24124-22283	CN207	DFIB-22DP-2.5SDSA	HIR 10-30079-00053
* D114			C119	EEU GA1E101	MAT 10-20155-10725	CN911	DFIB-4P-2.5SDSA	HIR 10-30079-00052
D115	FMG-G36S	SKN 10-03157-03150	C121	ECQ-V 1H104JL2	MAT 10-22137-10450	△ CN921	00-9090-02-0116-805	ELC 10-30508-10021
D119	V06C	HIT 10-03631-00200	C122	EEU GA1E101	MAT 10-20155-10725	<b>&lt; TEST POLES &gt;</b>		
D120	HZS5A-1	HIT 10-03214-00012	C123	ECA 1JHG 100	MAT 10-20149-10663	* TP101		
D121	V06C	HIT 10-03631-00200	C124	ECQ-B 1H103JZ4	MAT 10-22136-10350	* TP102		
<b>&lt; RESISTORS &gt;</b>			C125	ECA 2AHG010	MAT 10-20149-10572	* TP103		
△ R101	ERF-10ZYK 3R3	MAT 10-14121-03374	C126	ECQ-B 1H222JZ4	MAT 10-22136-22250	* TP104		
R102	ERG-2SJ 104	MAT 10-11019-10443	C127	ECQ-V 1H104JL2	MAT 10-22137-10450	* TP105		
R103	ERG-2SJ 104	MAT 10-11019-10443	C128	ECQ-V 1H224JZ2	MAT 10-22137-22450	* TP106		
R104	FRD25T2J 22KΩ	RVE 10-12112-22313	C129	ECA 2AHG101	MAT 10-20149-10772	* TP107		
R106	RD50S 4700Ω	KOA 10-12202-47223	C130	ECOS 2DA681CA	MAT 10-20142-68778	△ F101	FAU031-3577	SCH 10-53506-00100
* R107			C132	ECA 2EHG4R7	MAT 10-20145-47578	<b>&lt; OTHERS &gt;</b>		
R108	ERG-2SJ 104	MAT 10-11019-10443	C133	ECA 2EHG100	MAT 10-20149-10678	005T-1100		TAI 10-30423-00010
R109	ERG-2SJ 104	MAT 10-11019-10443	C134	ECQ-E 2104KF	MAT 10-22129-10478			
R110	ERX-2SJ R33	MAT 10-11021-98823	C137	EEU GA1C222	MAT 10-20155-22816			
★ R112			C138	EEU GA1E471	MAT 10-20155-47725			
R113	RD25SM 2200Ω	KOA 10-12201-22213	C139	ECQ-B 1H103JZ4	MAT 10-22136-10350			
R114	RD25SM 4700Ω	KOA 10-12201-47213	C140	ECQ-E 2103KF	MAT 10-22129-10378			
R115	ERG-2SJ 104	MAT 10-11019-10443	C141	EEU GA1E222	MAT 10-20155-22825			
R116	ERG-2SJ 104	MAT 10-11019-10443	C142	EEU GA1H470	MAT 10-20155-47650			
R117	FRD25T2J 1R0KΩ	RVE 10-12112-10213	C143	EEU GA1E222	MAT 10-20155-22825			
R118	FRD25T2J 1.8KΩ	RVE 10-12112-18213	C144	EEU GA1H470	MAT 10-20155-47650			
R119	RD25SM 75Ω	KOA 10-12201-75013	C146	ECOS 2DA681CA	MAT 10-20142-68778			
R120	RD25SM 100Ω	KOA 10-12201-10113	C148	ECQ-B 1H103JZ4	MAT 10-22136-10350			
R121	RD25SM 33KΩ	KOA 10-12201-33313	C149	ECQ-E 2104KF	MAT 10-22129-10478			
R122	RD25SM 4700Ω	KOA 10-12201-47213	C150	ECQ-B 1H103JZ4	MAT 10-22136-10350			
R123	FRD25T2J 47KΩ	RVE 10-12112-47313	C151	ECQ-B 1H103JZ4	MAT 10-22136-10350			
R124	FRD25T2J 1R0KΩ	RVE 10-12112-10213	C152	ECQ-V 1H104JL2	MAT 10-22137-10450			
R125	ERX-2SJ R10	MAT 10-11020-00143	C156	EEU GA1E101	MAT 10-20155-10725			
R126	RD50S 470Ω	KOA 10-12202-47123	C157	DD35-0-465SL 220K 500V	MUR 10-24093-22085			
R127	RD50S 100Ω	KOA 10-12202-10123	C158	ECQ-F 4104KZ	MAT 10-22121-10483			
R130	RD25SM 4700Ω	KOA 10-12201-47213	<b>&lt; INDUCTANCE COILS &gt;</b>					
R132	FRD25T2J 1R0KΩ	RVE 10-12112-10213	* L101	AB 4X2X6W	TOS 10-42101-00400			
R133	FRD25T2J 1R0KΩ	RVE 10-12112-10213	* L102	AB 4X2X6W	TOS 10-42101-00400			
★ R134	ERG-2SJ 104	MAT 10-11019-10443	* L103	AB 4X2X6W	TOS 10-42101-00400			
★ R135	RD25SM 470Ω	KOA 10-12201-47113	* L104	AB 4X2X6W	TOS 10-42101-00400			
★ R136	FRD25T2J 1.8KΩ	RVE 10-12112-18213						
R138	RD25SM 75Ω	KOA 10-12201-75013						
R140	RD25SM 150KΩ	KOA 10-12201-15413						

**(12) FRONT RIGHT PANEL BOARD**

**(13) VR BOARD**

**• POWER BOARD (JPN/USA)**

99057-15130 PP-905713 01 0010

NO.	DESCRIPTION	MFD.PARTS-CODE
<hr/>		
< FUSES >		
F101	ASG3-4 FEK031-1661	FKD 10-53008-00400 SCH 10-53504-00100

**• POWER BOARD (EUR)**

99057-15140 PP-905714 01 0010

NO.	DESCRIPTION	MFD.PARTS-CODE
<hr/>		
< FUSES >		
F101	EAK 4A-T FEK031-1663	LTL 10-53002-00500 SCH 10-53504-00200

**• FRONT RIGHT PANEL BOARD**

99057-15420 PP-905742 01 0010

NO.	DESCRIPTION	MFD. PARTS-CODE
<hr/>		
< DIODES >		
D 1	TLG226	TOS 10-03572-00330
D 2	TLG226	TOS 10-03572-00330
D 3	TLG226	TOS 10-03572-00330
D 4	TLG226	TOS 10-03572-00330
D 5	TLG226	TOS 10-03572-00330
D 6	TLG226	TOS 10-03572-00330
D 7	TLG226	TOS 10-03572-00330
D 8	TLG226	TOS 10-03572-00330
D 9	TLG226	TOS 10-03572-00330
D 10	TLG226	TOS 10-03572-00330
D 11	TLG226	TOS 10-03572-00330
D 12	TLG226	TOS 10-03572-00330
D 13	TLG226	TOS 10-03572-00330
D 14	TLG226	TOS 10-03572-00330
D 15	TLG226	TOS 10-03572-00330
D 16	TLY226	TOS 10-03576-01000
D 17	TLY226	TOS 10-03576-01000
D 18	TLY226	TOS 10-03576-01000
D 19	TLY226	TOS 10-03576-01000
D 20	TLG226	TOS 10-03572-00330
D 21	TLG226	TOS 10-03572-00330
D 22	TLG226	TOS 10-03572-00330

< RESISTORS >

R 1	ERDS2TJ 821 T	MAT 10-12108-82113
-----	---------------	--------------------

< SWITCHES >

S 9	SKHHAK	ALP 10-34267-01009
S 10	SKHHAK	ALP 10-34267-01009
S 11	SKHHAK	ALP 10-34267-01009
S 12	SKHHAK	ALP 10-34267-01009
S 17	SKHHAK	ALP 10-34267-01009
S 18	SKHHAK	ALP 10-34267-01009
S 19	SKHHAK	ALP 10-34267-01009
S 20	SKHHAK	ALP 10-34267-01009
S 25	SKHHAK	ALP 10-34267-01009
S 26	SKHHAK	ALP 10-34267-01009
S 27	SKHHAK	ALP 10-34267-01009
S 28	SKHHAK	ALP 10-34267-01009
S 33	SKHHAK	ALP 10-34267-01009
S 34	SKHHAK	ALP 10-34267-01009
S 35	SKHHAK	ALP 10-34267-01009
S 36	SKHHAK	ALP 10-34267-01009

< CONNECTORS >

CN223	HIF3FC-34PA-2.54DSA	HIR 10-30164-08340
-------	---------------------	--------------------

**•VR BOARD(TM14-80)**

99057-15430 PP-905743 01 0010

NO.	DESCRIPTION	MFD.PARTS-CODE
<hr/>		
< RESISTORS >		
VR 1	ST-902361	ALP 10-15995-23610
VR 2	ST-902361	ALP 10-15995-23610
VR 3	ST-902361	ALP 10-15995-23610
VR 4	ST-902361	ALP 10-15995-23610

< CONNECTORS >

CN222	A3B-10PA-2DSA	HIR 10-30003-00402
-------	---------------	--------------------

**•VR BOARD (TM20-80/90)**

99057-15610 PP-905761 01 0010

NO.	DESCRIPTION	MFD.PARTS-CODE
<hr/>		
< RESISTORS >		
VR 1	ST-902361	ALP 10-15995-23610
VR 2	ST-902361	ALP 10-15995-23610
VR 3	ST-902361	ALP 10-15995-23610
VR 4	ST-902361	ALP 10-15995-23610

< RESISTORS >

VR 1	ST-902361	ALP 10-15995-23610
VR 2	ST-902361	ALP 10-15995-23610
VR 3	ST-902361	ALP 10-15995-23610
VR 4	ST-902361	ALP 10-15995-23610

< CONNECTORS >

CN222	A3B-10PA-2DS	HIR 10-30003-00400
-------	--------------	--------------------

(14) CONTROL BOARD

• CONTROL BOARD(TM14-80)

99057-15440 PP-905744 01 0010

99057-15440 PP-905744 02 0010

99057-15440 PP-905744 03 0010

NO. DESCRIPTION MFD.PARTS-CODE

NO. DESCRIPTION MFD.PARTS-CODE

NO. DESCRIPTION MFD.PARTS-CODE

< INTEGRATED CIRCUITS >

IC 1	TC74HC148AF	TOS 10-04572-10420
IC 2	TC74HC148AF	TOS 10-04572-10420
IC 3	TC74VHC367FS	TOS 10-04572-13715
IC 4	TC74VHC138FT	TOS 10-04572-00033
IC 5	TC74VHC367FS	TOS 10-04572-13715
IC 6	NJM78L08UA	JRC 10-04392-07303
IC 7	TC74VHC574FT	TOS 10-04572-00035
IC 8	TC74VHC574FT	TOS 10-04572-00035
IC 9	TC74VHC574FT	TOS 10-04572-00035
IC 10	TC74VHC574FT	TOS 10-04572-00035
IC 11	TC74VHC574FT	TOS 10-04572-00035
IC 12	TC74VHC574FT	TOS 10-04572-00035

< TRANSISTORS >

TR 1	2SC4154 T11	MIT 10-05824-03210
TR 2	2SC4154 T11	MIT 10-05824-03210
TR 3	2SC4154 T11	MIT 10-05824-03210
TR 4	2SC4154 T11	MIT 10-05824-03210
TR 5	2SC4154 T11	MIT 10-05824-03210
TR 6	2SC4154 T11	MIT 10-05824-03210
TR 7	2SC4154 T11	MIT 10-05824-03210

< DIODES >

D 1	ISS123-A7	NEC 10-06813-00600
D 2	ISS123-A7	NEC 10-06813-00600
D 3	ISS123-A7	NEC 10-06813-00600
D 4	ISS123-A7	NEC 10-06813-00600
D 5	ISS123-A7	NEC 10-06813-00600
D 6	ISS123-A7	NEC 10-06813-00600
D 7	ISS123-A7	NEC 10-06813-00600
D 8	ISS123-A7	NEC 10-06813-00600
D 9	ISS123-A7	NEC 10-06813-00600
D 10	ISS123-A7	NEC 10-06813-00600
D 11	ISS123-A7	NEC 10-06813-00600
D 12	ISS123-A7	NEC 10-06813-00600
D 13	IS2836-A4	NEC 10-06812-03400

< RESISTORS >

R 1	RGC 1/16C 223D TP	KMY10-16512-22381
R 2	RGC 1/16C 223D TP	KMY10-16512-22381
R 3	RGC 1/16C 223D TP	KMY10-16512-22381
R 4	RGC 1/16C 223D TP	KMY10-16512-22381
R 5	RGC 1/16C 223D TP	KMY10-16512-22381
R 6	RGC 1/16C 223D TP	KMY10-16512-22381
R 7	RGC 1/16C 223D TP	KMY10-16512-22381
R 8	RGC 1/16C 223D TP	KMY10-16512-22381
R 9	RGC 1/16C 104D TP	KMY10-16512-10481
R 10	RGC 1/16C 104D TP	KMY10-16512-10481
R 11	RGC 1/16C 104D TP	KMY10-16512-10481
R 12	RGC 1/16C 104D TP	KMY10-16512-10481
R 13	RGC 1/16C 104D TP	KMY10-16512-10481
R 14	RGC 1/16C 104D TP	KMY10-16512-10481
R 15	RGC 1/16C 104D TP	KMY10-16512-10481
R 16	RGC 1/16C 472D TP	KMY10-16512-47281
R 17	RGC 1/16C 472D TP	KMY10-16512-47281
R 18	RGC 1/16C 472D TP	KMY10-16512-47281
R 19	RGC 1/16C 472D TP	KMY10-16512-47281
R 20	RGC 1/16C 472D TP	KMY10-16512-47281
R 21	RGC 1/16C 472D TP	KMY10-16512-47281
R 22	RGC 1/16C 472D TP	KMY10-16512-47281
R 23	RGC 1/16C 472D TP	KMY10-16512-47281
R 24	RGC 1/16C 101D TP	KMY10-16512-10181
R 25	RGC 1/16C 101D TP	KMY10-16512-10181
R 26	RGC 1/16C 101D TP	KMY10-16512-10181
R 27	RGC 1/16C 101D TP	KMY10-16512-10181
R 28	RGC 1/16C 101D TP	KMY10-16512-10181
R 29	RGC 1/16C 101D TP	KMY10-16512-10181
R 30	RGC 1/16C 101D TP	KMY10-16512-10181
R 31	RGC 1/16C 101D TP	KMY10-16512-10181
R 32	RGC 1/16C 103D TP	KMY10-16512-10381
R 33	RGC 1/16C 103D TP	KMY10-16512-10381
R 34	RGC 1/16C 103D TP	KMY10-16512-10381

R 35	RGC 1/16C 103D TP	KMY10-16512-10381
R 36	RGC 1/16C 103D TP	KMY10-16512-10381
R 37	RGC 1/16C 103D TP	KMY10-16512-10381
R 38	RGC 1/16C 103D TP	KMY10-16512-10381
R 39	RGC 1/16C 103D TP	KMY10-16512-10381
R 40	RGC 1/16C 101D TP	KMY10-16512-10181
R 41	RGC 1/16C 101D TP	KMY10-16512-10181
R 42	RGC 1/16C 101D TP	KMY10-16512-10181
R 43	RGC 1/16C 101D TP	KMY10-16512-10181
R 44	RGC 1/16C 103D TP	KMY10-16512-10381
R 45	RGC 1/16C 103D TP	KMY10-16512-10381
R 46	RGC 1/16C 103D TP	KMY10-16512-10381
R 47	RGC 1/16C 103D TP	KMY10-16512-10381
R 48	RGC 1/16C 103D TP	KMY10-16512-10381
R 50	RGC 1/16C 473D TP	KMY10-16512-47381
R 51	RGC 1/16C 473D TP	KMY10-16512-47381
R 52	RGC 1/16C 101D TP	KMY10-16512-10181
R 53	RGC 1/16C 104D TP	KMY10-16512-10481
R 54	RGC 1/16C 104D TP	KMY10-16512-10481
R 55	RGC 1/16C 104D TP	KMY10-16512-10481
R 56	RGC 1/16C 104D TP	KMY10-16512-10481
R 57	RGC 1/16C 821D TP	KMY10-16512-82181
R 58	RGC 1/16C 821D TP	KMY10-16512-82181
R 59	RGC 1/16C 821D TP	KMY10-16512-82181
R 60	RGC 1/16C 152D TP	KMY10-16512-15281
R 61	RGC 1/16C 152D TP	KMY10-16512-15281
R 62	RGC 1/16C 152D TP	KMY10-16512-15281
R 63	RGC 1/16C 152D TP	KMY10-16512-15281
R 64	RGC 1/16C 152D TP	KMY10-16512-15281
R 65	RGC 1/16C 152D TP	KMY10-16512-15281
R 66	RGC 1/16C 152D TP	KMY10-16512-15281
R 67	RGC 1/16C 152D TP	KMY10-16512-15281
R 68	RGC 1/16C 152D TP	KMY10-16512-15281
R 69	RGC 1/16C 152D TP	KMY10-16512-15281
R 70	RGC 1/16C 152D TP	KMY10-16512-15281
R 71	RGC 1/16C 152D TP	KMY10-16512-15281
R 72	RGC 1/16C 152D TP	KMY10-16512-15281
R 73	RGC 1/16C 152D TP	KMY10-16512-15281
R 74	RGC 1/16C 152D TP	KMY10-16512-15281
* R 75		
R 76	RGC 1/16C 152D TP	KMY10-16512-15281
R 77	RGC 1/16C 152D TP	KMY10-16512-15281
R 78	RGC 1/16C 152D TP	KMY10-16512-15281
R 79	RGC 1/16C 152D TP	KMY10-16512-15281
R 80	RGC 1/16C 152D TP	KMY10-16512-15281
R 81	RGC 1/16C 821D TP	KMY10-16512-82181
R 82	RGC 1/16C 821D TP	KMY10-16512-82181
R 83	RGC 1/16C 821D TP	KMY10-16512-82181
R 84	RGC 1/16C 821D TP	KMY10-16512-82181
R 85	RGC 1/16C 821D TP	KMY10-16512-82181
R 86	RGC 1/16C 821D TP	KMY10-16512-82181
R 87	RGC 1/16C 821D TP	KMY10-16512-82181
R 88	RGC 1/16C 821D TP	KMY10-16512-82181
R 89	RGC 1/16C 821D TP	KMY10-16512-82181
R 90	RGC 1/16C 821D TP	KMY10-16512-82181
R 91	RGC 1/16C 821D TP	KMY10-16512-82181
R 92	RGC 1/16C 821D TP	KMY10-16512-82181
R 93	RGC 1/16C 821D TP	KMY10-16512-82181
R 94	RGC 1/16C 821D TP	KMY10-16512-82181
R 95	RGC 1/16C 821D TP	KMY10-16512-82181
R 96	RGC 1/16C 821D TP	KMY10-16512-82181
R 97	RGC 1/16C 821D TP	KMY10-16512-82181
R 98	RGC 1/16C 821D TP	KMY10-16512-82181
R 99	RGC 1/16C 821D TP	KMY10-16512-82181
* R100		

< CAPACITORS >

C 1	UWX 1C 101MCRIGB	NCI 10-26601-10716
C 2	GRM39 B 104K 16PT	MUR10-26184-10416
C 3	UWX 1C 101MCRIGB	NCI 10-26601-10716
C 4	GRM39 B 104K 16PT	MUR10-26184-10416
C 5	UWX 1C 101MCRIGB	NCI 10-26601-10716
C 6	MVJ 16VC 47 F60	NCH 10-26368-47616
C 7	GRM39 B 104K 16PT	MUR10-26184-10416
C 8	GRM39 B 104K 16PT	MUR10-26184-10416
C 9	MVJ 16VC 47 F60	NCH 10-26368-47616
C 10	GRM39 B 104K 16PT	MUR10-26184-10416

C 11	GRM39 B 104K 16PT	MUR10-26184-10416
C 12	GRM39 B 104K 16PT	MUR10-26184-10416
C 13	GRM39 B 104K 16PT	MUR10-26184-10416
C 14	GRM39 B 104K 16PT	MUR10-26184-10416
C 15	GRM39 B 104K 16PT	MUR10-26184-10416
C 16	GRM39 B 104K 16PT	MUR10-26184-10416
C 17	GRM39 B 104K 16PT	MUR10-26184-10416
C 18	GRM39 B 104K 16PT	MUR10-26184-10416
C 19	GRM39 B 104K 16PT	MUR10-26184-10416
C 20	GRM39 B 104K 16PT	MUR10-26184-10416
C 21	GRM39 B 104K 16PT	MUR10-26184-10416

< INDUCTANCE COILS >

L 1	TSLO709S-101KR66	TDK 10-40588-10110
-----	------------------	--------------------

< SWITCHES >

S 5	TM2-21-L2	FJS 10-34061-00200
	TZ-0111	FJS 10-34061-00031
S 6	TM2-21-L2	FJS 10-34061-00200
	TZ-0111	FJS 10-34061-00031
S 7	TM2-21-L2	FJS 10-34061-00200
	TZ-0111	FJS 10-34061-00031
S 8	TM2-21-L2	FJS 10-34061-00200
	TZ-0111	FJS 10-34061-00031
S 13	TM2-21-L2	FJS 10-34061-00200
	TZ-0111	FJS 10-34061-00031
S 14	TM2-21-L2	FJS 10-34061-00200
	TZ-0111	FJS 10-34061-00031
S 15	TM2-21-L2	FJS 10-34061-00200
	TZ-0111	FJS 10-34061-00031
S 16	TM2-21-L2	FJS 10-34061-00200
	TZ-0111	FJS 10-34061-00031
S 21	TM2-21-L2	FJS 10-34061-00200
	TZ-0111	FJS 10-34061-00031
S 22	TM2-21-L2	FJS 10-34061-00200
	TZ-0111	FJS 10-34061-00031
S 23	TM2-21-L2	FJS 10-34061-00200
	TZ-0106	FJS 10-34061-00043
S 24	TM2-21-L2	FJS 10-34061-00200
	TZ-0106	FJS 10-34061-00043
S 29	TM2-21-L2	FJS 10-34061-00200
	TZ-0111	FJS 10-34061-00031
* S 30		
S 31	TM2-21-L2	FJS 10-34061-00200
	TZ-0105	FJS 10-34061-00042
S 32	TM2-21-L2	FJS 10-34061-00200
	TZ-0105	FJS 10-34061-00042
S 37	TM2-21-L2	FJS 10-34061-00200
	TZ-0111	FJS 10-34061-00031
S 38	TM2-21-L2	FJS 10-34061-00200
	TZ-0111	FJS 10-34061-00031
S 39	TM2-21-L2	FJS 10-34061-00200
	TZ-0111	FJS 10-34061-00031
S 40	TM2-21-L2	FJS 10-34061-00200
	TZ-0102	FJS 10-34061-00041
S 41	TM1-01	FJS 10-34061-00100
	TZ-0011	FJS 10-34061-00006
S 42	TM2-21-L5	FJS 10-34061-00205
	TZ-0111	FJS 10-34061-00031
S 43	TM1-01	FJS 10-34061-00100
	TZ-0011	FJS 10-34061-00006
S 44	TM1-01	FJS 10-34061-00100
	TZ-0011	FJS 10-34061-00006
S 45	TM2-21-L2	FJS 10-34061-00200
	TZ-0111	FJS 10-34061-00031
S 46	TM2-21-L5	FJS 10-34061-00205
	TZ-0111	FJS 10-34061-00031
S 47	TM2-21-L5	FJS 10-34061-00205
	TZ-0111	FJS 10-34061-00031
S 48	TM2-21-L5	FJS 10-34061-00205
	TZ-0111	FJS 10-34061-00031
S 49	TM1-01	FJS 10-34061-00100
	TZ-0011	FJS 10-34061-00006
S 50	TM1-01	FJS 10-34061-00100
	TZ-0011	FJS 10-34061-00006



• CONTROL BOARD(TM20-80/90)

99057-15440 PP-905744 04 0010			99057-15600 PP-905760 01 0010			99057-15600 PP-905760 02 0010		
NO.	DESCRIPTION	MFD.PARTS-CODE	NO.	DESCRIPTION	MFD.PARTS-CODE	NO.	DESCRIPTION	MFD.PARTS-CODE
S 51	TM1-01 TZ-0011	FJS 10-34061-00100 FJS 10-34061-00006	< INTEGRATED CIRCUITS >			R 35	RGC 1/16C 103D TP	KMY10-16512-10381
S 52	TM1-01 TZ-0011	FJS 10-34061-00100 FJS 10-34061-00006	IC 1	TC74HC148AF	TOS 10-04572-10420	R 36	RGC 1/16C 103D TP	KMY10-16512-10381
S 53	TM1-01 TZ-0011	FJS 10-34061-00100 FJS 10-34061-00006	IC 2	TC74HC148AF	TOS 10-04572-10420	R 37	RGC 1/16C 103D TP	KMY10-16512-10381
* S 56			IC 3	TC74VHC367FS	TOS 10-04572-13715	R 38	RGC 1/16C 103D TP	KMY10-16512-10381
< CONNECTORS >			IC 4	TC74VHC138FT	TOS 10-04572-00033	R 39	RGC 1/16C 103D TP	KMY10-16512-10381
CN219	HIF3BA-40PA-2.54DS	HIR 10-30164-05800	IC 5	TC74VHC367FS	TOS 10-04572-13715	R 40	RGC 1/16C 101D TP	KMY10-16512-10181
CN220	A3B-10PA-2DSA	HIR 10-30003-00402	IC 6	NJM78L08UA	JRC 10-04392-07303	R 41	RGC 1/16C 101D TP	KMY10-16512-10181
CN221	ST-902367	SWC 10-66995-23670	IC 7	TC74VHC574FT	TOS 10-04572-00035	R 42	RGC 1/16C 101D TP	KMY10-16512-10181
* CN920			IC 8	TC74VHC574FT	TOS 10-04572-00035	R 43	RGC 1/16C 101D TP	KMY10-16512-10181
< OTHERS >			IC 9	TC74VHC574FT	TOS 10-04572-00035	R 44	RGC 1/16C 103D TP	KMY10-16512-10381
* RE 1			IC 10	TC74VHC574FT	TOS 10-04572-00035	R 45	RGC 1/16C 103D TP	KMY10-16512-10381
			IC 11	TC74VHC574FT	TOS 10-04572-00035	R 46	RGC 1/16C 103D TP	KMY10-16512-10381
			IC 12	TC74VHC574FT	TOS 10-04572-00035	R 47	RGC 1/16C 103D TP	KMY10-16512-10381
			< TRANSISTORS >			R 48	RGC 1/16C 103D TP	KMY10-16512-10381
			TR 1	2SC4154T11	MIT 10-05824-03210	* R 50		
			TR 2	2SC4154T11	MIT 10-05824-03210	* R 51		
			TR 3	2SC4154T11	MIT 10-05824-03210	R 52	RGC 1/16C 101D TP	KMY10-16512-10181
			TR 4	2SC4154T11	MIT 10-05824-03210	R 53	RGC 1/16C 104D TP	KMY10-16512-10481
			TR 5	2SC4154T11	MIT 10-05824-03210	R 54	RGC 1/16C 104D TP	KMY10-16512-10481
			TR 6	2SC4154T11	MIT 10-05824-03210	R 55	RGC 1/16C 104D TP	KMY10-16512-10481
			TR 7	2SC4154T11	MIT 10-05824-03210	R 56	RGC 1/16C 104D TP	KMY10-16512-10481
			< DIODES >			R 57	RGC 1/16C 821D TP	KMY10-16512-82181
			D 1	1SS123-A7	NEC 10-06813-00600	R 58	RGC 1/16C 821D TP	KMY10-16512-82181
			D 2	1SS123-A7	NEC 10-06813-00600	R 59	RGC 1/16C 821D TP	KMY10-16512-82181
			D 3	1SS123-A7	NEC 10-06813-00600	R 60	RGC 1/16C 152D TP	KMY10-16512-15281
			D 4	1SS123-A7	NEC 10-06813-00600	R 61	RGC 1/16C 152D TP	KMY10-16512-15281
			D 5	1SS123-A7	NEC 10-06813-00600	R 62	RGC 1/16C 152D TP	KMY10-16512-15281
			D 6	1SS123-A7	NEC 10-06813-00600	R 63	RGC 1/16C 152D TP	KMY10-16512-15281
			D 7	1SS123-A7	NEC 10-06813-00600	R 64	RGC 1/16C 152D TP	KMY10-16512-15281
			D 8	1SS123-A7	NEC 10-06813-00600	R 65	RGC 1/16C 152D TP	KMY10-16512-15281
			D 9	1SS123-A7	NEC 10-06813-00600	R 66	RGC 1/16C 152D TP	KMY10-16512-15281
			D 10	1SS123-A7	NEC 10-06813-00600	R 67	RGC 1/16C 152D TP	KMY10-16512-15281
			D 11	1SS123-A7	NEC 10-06813-00600	R 68	RGC 1/16C 152D TP	KMY10-16512-15281
			D 12	1SS123-A7	NEC 10-06813-00600	R 69	RGC 1/16C 152D TP	KMY10-16512-15281
			D 13	1S2836-A4	NEC 10-06812-03400	R 70	RGC 1/16C 152D TP	KMY10-16512-15281
			< RESISTORS >			R 71	RGC 1/16C 152D TP	KMY10-16512-15281
			R 1	RGC 1/16C 223D TP	KMY10-16512-22381	R 72	RGC 1/16C 152D TP	KMY10-16512-15281
			R 2	RGC 1/16C 223D TP	KMY10-16512-22381	R 73	RGC 1/16C 152D TP	KMY10-16512-15281
			R 3	RGC 1/16C 223D TP	KMY10-16512-22381	R 74	RGC 1/16C 152D TP	KMY10-16512-15281
			R 4	RGC 1/16C 223D TP	KMY10-16512-22381	R 75	RGC 1/16C 152D TP	KMY10-16512-15281
			R 5	RGC 1/16C 223D TP	KMY10-16512-22381	R 76	RGC 1/16C 152D TP	KMY10-16512-15281
			R 6	RGC 1/16C 223D TP	KMY10-16512-22381	R 77	RGC 1/16C 152D TP	KMY10-16512-15281
			R 7	RGC 1/16C 223D TP	KMY10-16512-22381	R 78	RGC 1/16C 152D TP	KMY10-16512-15281
			R 8	RGC 1/16C 223D TP	KMY10-16512-22381	R 79	RGC 1/16C 152D TP	KMY10-16512-15281
			R 9	RGC 1/16C 223D TP	KMY10-16512-22381	R 80	RGC 1/16C 152D TP	KMY10-16512-15281
			R 10	RGC 1/16C 104D TP	KMY10-16512-10481	R 81	RGC 1/16C 821D TP	KMY10-16512-82181
			R 11	RGC 1/16C 104D TP	KMY10-16512-10481	R 82	RGC 1/16C 821D TP	KMY10-16512-82181
			R 12	RGC 1/16C 104D TP	KMY10-16512-10481	R 83	RGC 1/16C 821D TP	KMY10-16512-82181
			R 13	RGC 1/16C 104D TP	KMY10-16512-10481	R 84	RGC 1/16C 821D TP	KMY10-16512-82181
			R 14	RGC 1/16C 104D TP	KMY10-16512-10481	R 85	RGC 1/16C 821D TP	KMY10-16512-82181
			R 15	RGC 1/16C 104D TP	KMY10-16512-10481	R 86	RGC 1/16C 821D TP	KMY10-16512-82181
			R 16	RGC 1/16C 472D TP	KMY10-16512-47281	R 87	RGC 1/16C 821D TP	KMY10-16512-82181
			R 17	RGC 1/16C 472D TP	KMY10-16512-47281	R 88	RGC 1/16C 821D TP	KMY10-16512-82181
			R 18	RGC 1/16C 472D TP	KMY10-16512-47281	R 89	RGC 1/16C 821D TP	KMY10-16512-82181
			R 19	RGC 1/16C 472D TP	KMY10-16512-47281	R 90	RGC 1/16C 821D TP	KMY10-16512-82181
			R 20	RGC 1/16C 472D TP	KMY10-16512-47281	R 91	RGC 1/16C 821D TP	KMY10-16512-82181
			R 21	RGC 1/16C 472D TP	KMY10-16512-47281	R 92	RGC 1/16C 821D TP	KMY10-16512-82181
			R 22	RGC 1/16C 472D TP	KMY10-16512-47281	R 93	RGC 1/16C 821D TP	KMY10-16512-82181
			R 23	RGC 1/16C 472D TP	KMY10-16512-47281	R 94	RGC 1/16C 821D TP	KMY10-16512-82181
			R 24	RGC 1/16C 101D TP	KMY10-16512-10181	R 95	RGC 1/16C 821D TP	KMY10-16512-82181
			R 25	RGC 1/16C 101D TP	KMY10-16512-10181	R 96	RGC 1/16C 821D TP	KMY10-16512-82181
			R 26	RGC 1/16C 101D TP	KMY10-16512-10181	R 97	RGC 1/16C 821D TP	KMY10-16512-82181
			R 27	RGC 1/16C 101D TP	KMY10-16512-10181	R 98	RGC 1/16C 821D TP	KMY10-16512-82181
			R 28	RGC 1/16C 101D TP	KMY10-16512-10181	R 99	RGC 1/16C 821D TP	KMY10-16512-82181
			R 29	RGC 1/16C 101D TP	KMY10-16512-10181	* R101		
			R 30	RGC 1/16C 101D TP	KMY10-16512-10181	* R102		
			R 31	RGC 1/16C 101D TP	KMY10-16512-10181	< CAPACITORS >		
			R 32	RGC 1/16C 103D TP	KMY10-16512-10381	C 1	UWX 1C 101MCR1GB	NCI 10-26601-10716
			R 33	RGC 1/16C 103D TP	KMY10-16512-10381	C 2	GRM39 B 104K 16PT	MUR 10-26184-10416
			R 34	RGC 1/16C 103D TP	KMY10-16512-10381	C 3	UWX 1C 101MCR1GB	NCI 10-26601-10716
						C 4	GRM39 B 104K 16PT	MUR 10-26184-10416
						C 5	UWX 1C 101MCR1GB	NCI 10-26601-10716
						C 6	MVJ 16VC 47 F60	NCH 10-26368-47616
						C 7	GRM39 B 104K 16PT	MUR 10-26184-10416
						C 8	GRM39 B 104K 16PT	MUR 10-26184-10416
						C 9	MVJ 16VC 47 F60	NCH 10-26368-47616

11.PARTS LIST 11-35  
**(15) FRONT LEFT BOARD**  
**• FRONT LEFT BOARD(TM14-80)**

99057-15600 PP-905760 03 0010

99057-15600 PP-905760 04 0010

99057-15060 PP-905706 01 0010

NO.	DESCRIPTION	MFD.PARTS-CODE
C 10	GRM39 B 104K 16PT	MUR 10-26184-10416
C 11	GRM39 B 104K 16PT	MUR 10-26184-10416
C 12	GRM39 B 104K 16PT	MUR 10-26184-10416
C 13	GRM39 B 104K 16PT	MUR 10-26184-10416
C 14	GRM39 B 104K 16PT	MUR 10-26184-10416
C 15	GRM39 B 104K 16PT	MUR 10-26184-10416
C 16	GRM39 B 104K 16PT	MUR 10-26184-10416
C 17	GRM39 B 104K 16PT	MUR 10-26184-10416
C 18	GRM39 B 104K 16PT	MUR 10-26184-10416
C 19	GRM39 B 104K 16PT	MUR 10-26184-10416
C 20	GRM39 B 104K 16PT	MUR 10-26184-10416
C 21	GRM39 B 104K 16PT	MUR 10-26184-10416

< INDUCTANCE COILS >

L 1	TSL0709S-101KR66	TDK 10-40588-10110
-----	------------------	--------------------

< SWITCHES >

S 5	TM2-21-L2	FJS 10-34061-00200
	TZ-0111	FJS 10-34061-00031
S 6	TM2-21-L2	FJS 10-34061-00200
	TZ-0111	FJS 10-34061-00031
S 7	TM2-21-L2	FJS 10-34061-00200
	TZ-0111	FJS 10-34061-00031
S 8	TM2-21-L2	FJS 10-34061-00200
	TZ-0111	FJS 10-34061-00031
S 13	TM2-21-L2	FJS 10-34061-00200
	TZ-0111	FJS 10-34061-00031
S 14	TM2-21-L2	FJS 10-34061-00200
	TZ-0111	FJS 10-34061-00031
S 15	TM2-21-L2	FJS 10-34061-00200
	TZ-0111	FJS 10-34061-00031
S 16	TM2-21-L2	FJS 10-34061-00200
	TZ-0111	FJS 10-34061-00031
S 21	TM2-21-L2	FJS 10-34061-00200
	TZ-0111	FJS 10-34061-00031
S 22	TM2-21-L2	FJS 10-34061-00200
	TZ-0111	FJS 10-34061-00031
S 23	TM2-21-L2	FJS 10-34061-00200
	TZ-0106	FJS 10-34061-00043
S 24	TM2-21-L2	FJS 10-34061-00200
	TZ-0106	FJS 10-34061-00043
S 29	TM2-21-L2	FJS 10-34061-00200
	TZ-0111	FJS 10-34061-00031
S 30	TM2-21-L2	FJS 10-34061-00200
S 31	TM2-21-L2	FJS 10-34061-00200
	TZ-0105	FJS 10-34061-00042
S 32	TM2-21-L2	FJS 10-34061-00200
	TZ-0105	FJS 10-34061-00042
S 37	TM2-21-L2	FJS 10-34061-00200
	TZ-0111	FJS 10-34061-00031
S 38	TM2-21-L2	FJS 10-34061-00200
	TZ-0111	FJS 10-34061-00031
S 39	TM2-21-L2	FJS 10-34061-00200
	TZ-0111	FJS 10-34061-00031
S 40	TM2-21-L2	FJS 10-34061-00200
	TZ-0102	FJS 10-34061-00041
S 41	TM1-01	FJS 10-34061-00100
	TZ-0011	FJS 10-34061-00006
S 42	TM2-21-L5	FJS 10-34061-00205
	TZ-0111	FJS 10-34061-00031
	TZ-0011	FJS 10-34061-00006
S 44	TM1-01	FJS 10-34061-00100
	TZ-0011	FJS 10-34061-00006
S 45	TM2-21-L2	FJS 10-34061-00200
	TZ-0111	FJS 10-34061-00031
S 46	TM2-21-L5	FJS 10-34061-00205
	TZ-0111	FJS 10-34061-00031
S 47	TM2-21-L5	FJS 10-34061-00205
	TZ-0111	FJS 10-34061-00031
S 48	TM2-21-L5	FJS 10-34061-00205
	TZ-0111	FJS 10-34061-00031
S 49	TM1-01	FJS 10-34061-00100
	TZ-0011	FJS 10-34061-00006
S 50	TM1-01	FJS 10-34061-00100
	TZ-0011	FJS 10-34061-00006

NO.	DESCRIPTION	MFD.PARTS-CODE
S 51	TM1-01	FJS 10-34061-00100
	TZ-0011	FJS 10-34061-00006
S 52	TM1-01	FJS 10-34061-00100
	TZ-0011	FJS 10-34061-00006
S 53	TM1-01	FJS 10-34061-00100
	TZ-0011	FJS 10-34061-00006
	* S 54	
	* S 55	

< CONNECTORS >

CN219	HIF3BA-40PA-2.54DS	HIR 10-30164-05800
CN220	A3B-10PA-2DS	HIR 10-30003-00400
CN221	ST-902367	SWC 10-66995-23670
	* CN920	

< OTHERS >

\* RE 1

< INTEGRATED CIRCUITS >

IC 1	SPS-422-1-A	SYO 10-59021-00105
IC 2	NJM78L05UA	JRC 10-04392-07301

< TRANSISTORS >

TR 1	2SC4154 T11	MIT 10-05824-03210
TR 2	2SC4154 T11	MIT 10-05824-03210

< DIODES >

D 1	TLR226	TOS 10-03575-01000
D 2	TLR226	TOS 10-03575-01000
D 3	TLG226	TOS 10-03572-00330
D 4	TL5251	TOS 10-03574-01000
D 5	TLG251	TOS 10-03572-00355

< RESISTORS >

R 1	RGC 1/10C 271D TP	KMY 10-16511-27181
R 2	RGC 1/10C 271D TP	KMY 10-16511-27181
R 3	RGC 1/10C 152D TP	KMY 10-16511-15281
R 4	RGC 1/10C 471D TP	KMY 10-16511-47181
R 5	RGC 1/10C 751D TP	KMY 10-16511-75181
R 6	RGC 1/10C 751D TP	KMY 10-16511-75181
R 7	RGC 1/10C 471D TP	KMY 10-16511-47181
R 8	RGC 1/10C 271D TP	KMY 10-16511-27181
R 9	RGC 1/10C 271D TP	KMY 10-16511-27181
R 10	RGC 1/10C 152D TP	KMY 10-16511-15281

< CAPACITORS >

C 1	GRM39 B 104K 16PT	MUR 10-26184-10416
C 2	GRM39 B 104K 16PT	MUR 10-26184-10416

< SWITCHES >

S 1	DPL4-200	FJS 10-36001-03000
	MD0340162	FJS 10-36001-00016
	MDS050103	FJS 10-36001-01302
S 2	DP4-200	FJS 10-36001-02900
	MD0340162	FJS 10-36001-00016
	MD050109	FJS 10-36001-02901

< CONNECTORS >

CN935	DFIB-10P-2.5DSA	HIR 10-30079-11010
-------	-----------------	--------------------

## • FRONT LEFT BOARD(TM20-80/90)

99057-15070 PP-905707 01 0010

NO.	DESCRIPTION	MFD.PARTS-CODE
<hr/>		
< INTEGRATED CIRCUITS >		
IC 1	SPS-422-1-A	SYO 10-59021-00105
IC 2	NJM78L05UA	JRC 10-04392-07301
< TRANSISTORS >		
TR 1	2SC4154 T11	MIT 10-05824-03210
TR 2	2SC4154 T11	MIT 10-05824-03210
< DIODES >		
D 1	TLR226	TOS 10-03575-01000
D 2	TLR226	TOS 10-03575-01000
D 3	TLG226	TOS 10-03572-00330
< RESISTORS >		
R 1	RGC 1/10C 331D TP	KMY10-16511-33181
R 2	RGC 1/10C 471D TP	KMY10-16511-47181
R 3	RGC 1/10C 152D TP	KMY10-16511-15281
R 4	RGC 1/10C 471D TP	KMY10-16511-47181
R 5	RGC 1/10C 751D TP	KMY10-16511-75181
R 6	RGC 1/10C 751D TP	KMY10-16511-75181
R 7	RGC 1/10C 471D TP	KMY10-16511-47181
R 8	RGC 1/10C 152D TP	KMY10-16511-15281
R 9	RGC 1/10C 101D TP	KMY10-16511-10181
R 10	RGC 1/10C 101D TP	KMY10-16511-10181
R 11	RGC 1/10C 101D TP	KMY10-16511-10181
R 12	RGC 1/10C 101D TP	KMY10-16511-10181
< CAPACITORS >		
C 1	GRM39 B 104K 16PT	MUR10-26184-10416
C 2	GRM39 B 104K 16PT	MUR10-26184-10416
< SWITCHES >		
S 1	DPL4-200	FJS 10-36001-03000
	MD0340162	FJS 10-36001-00016
	MD8050103	FJS 10-36001-01302
S 2	DP4-200	FJS 10-36001-02900
	MD0340162	FJS 10-36001-00016
	MD8050109	FJS 10-36001-02901
< CONNECTORS >		
CN922	DF1B-4P-2.5DSA	HIR 10-30079-00052
CN935	DF1B-10P-2.5DSA	HIR 10-30079-11010

## (16) LED BOARD

## • LED BOARD

99059-15090 PP-905909 01 0010

NO.	DESCRIPTION	MFD.PARTS-CODE
<hr/>		
< DIODES >		
D 1	GLIHD111	SRP 10-03181-00803
D 2	GLIHD111	SRP 10-03181-00803
* D 3		
* D 4		
< CONNECTORS >		
CN924	60-9021-3044-10-000	ELC 10-30508-01001

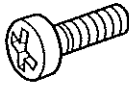
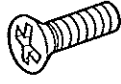
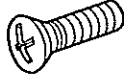
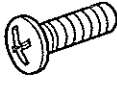
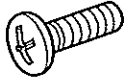
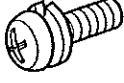

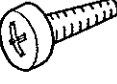

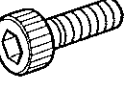


## (17) ACCESSORY

## • ACCESSORY(JAPAN)

99058-15620 PP-905862 01 0010

NO.	DESCRIPTION	MFD.PARTS-CODE
<hr/>		
< OTHERS >		
	VM1165B-1150 2.5M	HRA 10-66605-00300
< ACCESSORY(USA) >		
99058-15630	PP-905863	01 0010
<hr/>		
< OTHERS >		
	KP-30.SIT/18AWG.KS-16A8FT	
		KWD 10-66603-001

### 11.3 Mechanical Parts List/Exploded View

1. PAN HEAD SCREW PAN HEAD SCREW(BLACK)		NM BNM
2. FLAT HEAD SCREW FLAT HEAD SCREW(BLACK)		SM BSM
3. OVAL COUNTERSUNK HEAD SCREW OVAL COUNTERSUNK HEAD SCREW(BLACK)		MM BMM
4. TRUSS HEAD SCREW TRUSS HEAD SCREW(BLACK)		TM BTM
5. BINDING HEAD SCREW		NMB
8. PAN HEAD SCREW AND WASHER ASS'Y		NMS
9. TRUSS HEAD TAPPING SCREW		TH-TS
10.BINDING HEAD TAPPING SCREW		HM
11.HEXAGON SOCKET SET SCREW		SHM
12.HEXAGON SOCKET HEAD CAP SCREW		NMXW
13.PAN HEAD TAPPING SCREWS		NM-TS
14.PAN HEAD SCREWS AND DOUBLE WASHER ASS'Y		NMB-TS

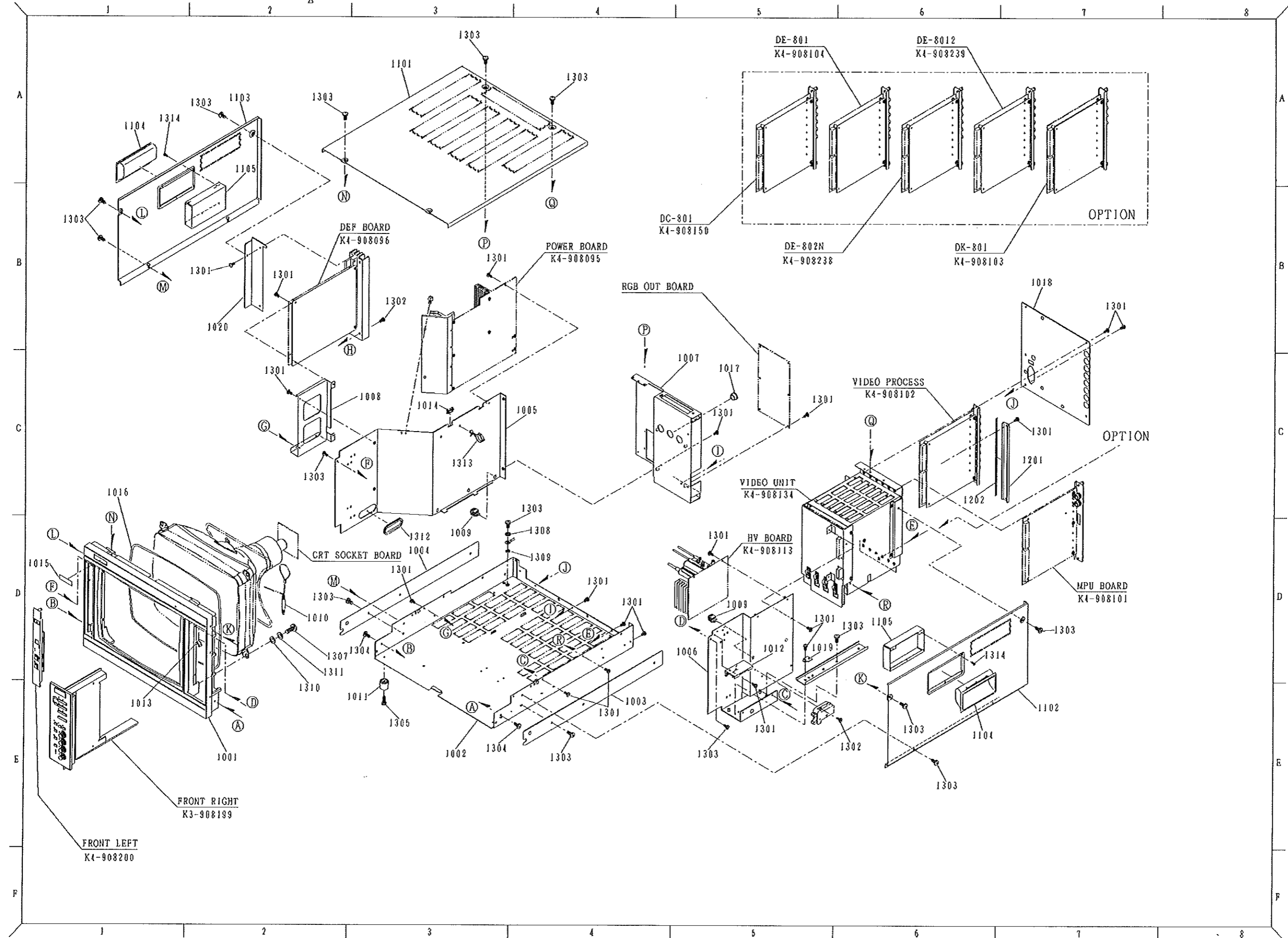
• **TM14-80 BODY**

<b>BODY (14-80)</b>		PM-903293	99032-20930	
No.	INDEX	PARTS NAME	PARTS No.	Q' ty
1001	2-E	ESCUTCHEON	M0-950139	1
1002	3-E	CHASSIS	M1-923437	1
1003	4-E	CHASSIS COVER (R)	M3-950744	1
1004	3-D	CHASSIS COVER (L)	M3-950748	1
1005	4-C	LEFT FRAME	M2-923438	1
1006	5-D	RIGHT FRAME	M3-923435	1
1007	5-C	REAR CHASSIS (1)	M3-923861	1
1008	3-C	DEF MOUNT METAL	M3-923852	1
1009	3-D, 5-D	PCB HOLDER	M3-908268	5
1010	2-D	EARTH SPRING	M4-279433A	2
1011	3-E	MONITOR FOOT	M4-908267	4
1012	5-D	GUIDE (1)	M4-912830	1
1013	1-E	RAIL GUIDE	M4-914254	1
1014	3-C	EDGING SADDLE	EDS-3	2
1015	1-D	IKEGAMI LOGO	D45	1
1016	1-C	PACKING	KG-CR5890	1
1017	5-C	BUSHING	NB-15	3
1018	7-B	REAR COVER (14)	M2-923863	1
1019	5-D	STOPPER	M4-923664	1
1020	2-B	COVER METAL	M4-923655	1

<b>BODY COVER(14-80)</b>		PM-903296	99032-20960	
No.	INDEX	PARTS NAME	PARTS No.	Q' ty
1101	3-A	TOP COVER	M2-923457	1
1102	7-E	SIDE COVER	M2-923853 (A)	1
1103	2-A	SIDE COVER	M2-923853 (B)	1
1104	1-A, 6-E	HANDLE	M2-911020	2
1105	2-A, 6-D	HANDLE COVER	M4-923455	2

<b>BLANKMETAL (1)</b>		PM-903296	99032-20960	
No.	INDEX	PARTS NAME	PARTS No.	Q' ty
1201	7-C	BLANK METAL (1)	M4-923692	1
1202	6-C	SHIELD TIGH	STG1-5-233	1

<b>SCREW</b>				
No.	INDEX	PARTS NAME	PARTS No.	Q' ty
1301	2-B, 2-C	SCREW	MCB3-6FN	39
	3-B, 3-D			
	4-D, 4-E			
	5-V, 5-D			
	5-E, 7-B			
	7-C			
1302	3-B, 6-E	SCREW	MCB3-8FN	5
1303	1-B, 2-A	SCREW	MCB4-6FN	24
	2-C, 2-D			
	3-A, 4-A			
	4-C, 4-E			
	5-E, 6-D			
	6-E, 7-D			
1304	3-D, 3-E	SCREW	MCB4-8FN	4
1305	3-E	SCREW	MCB4-14FN	4
1306				
1307	2-D	SCREW	MCP6-16FZ	4
1308	4-D	WASHER	W2P4FN	1
1309	4-D	WASHER	W04FZ	1
1310	2-E	WASHER	W2P6FZ	4
1311	2-D	WASHER	WS6FZ	4
1312	3-D, 4D	BUSHING (2)	M4-916295	1
1313	3-C	WIRE STAND OFF	WS75-75-M	3
1314	6-D	SCREW	MCF2-5FN	3



TM14-80 BODY  
K3-908194

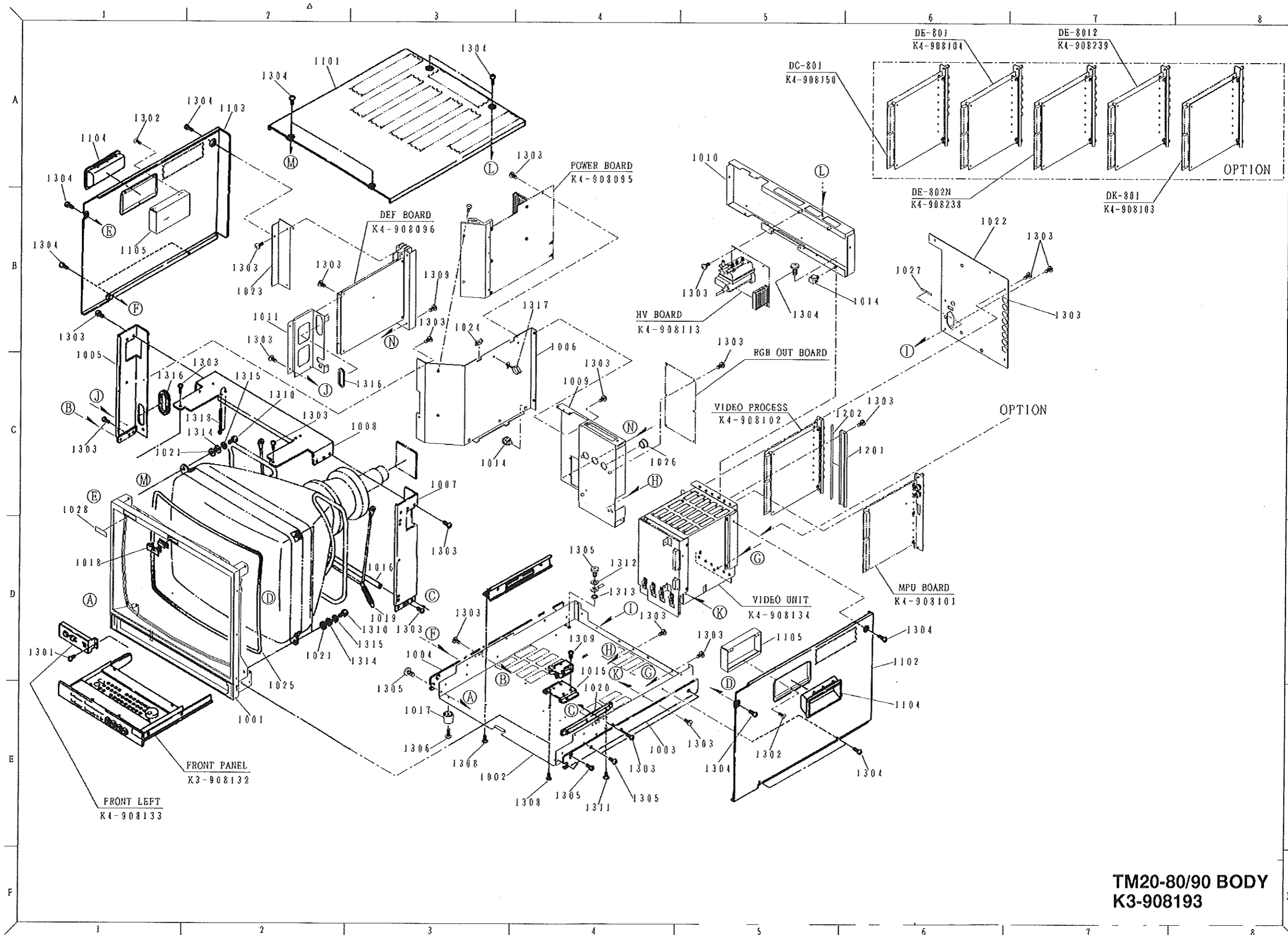
## • TM20-80/90 BODY

BODY (20-80/90) PM-903294 99032-20940				
No.	INDEX	PARTS NAME	PARTS No.	Q' ty
1001	2-E	ESCUTCHEON	M0-950063	1
1002	3-E	CHASSIS	M1-923437	1
1003	4-E	CHASSIS COVER (R)	M3-950744	1
1004	3-D	CHASSIS COVER (L)	M3-950748	1
1005	1-C	LEFT FRAME (1)	M2-923665	1
1006	4-B	LEFT FRAME (2)	M2-923666	1
1007	3-C	RIGHT FRAME (1)	M2-923449	1
1008	3-C	CENTER FRAME	M2-923446	1
1009	4-C	REAR CHASSIS (2)	M3-923862	1
1010	5-A	REAR CHASSIS (1)	M3-923861	1
1011	2-B	DEF MOUNT METAL	M3-923709	1
1014	3-C, 6-B	PCB HOLDER	M3-908268	5
1015	4-D	TOUCH LATCH METAL	M4-920403	1
1016	3-D	SHAFT	M4-919638	1
1017	3-E	MONITOR FOOT	M4-908267	4
1018	1-D	TALLY	M4-912378	1
1019	3-D	EARTH SPRING	M4-279433A	2
1020	4-E	GUIDE RAIL	M4-908515	1
1021	1-C, 2-D	CRT WASHER (1)	M4-281236A	4
1022	6-B	REAR COVER (20)	M2-923864	1
1023	2-B	COVER METAL	M4-923655	1
1024	3-B	EDGING SADDLE	EDS-3	2
1025	2-E	PACKING	KG-CR5890	2
1026	4-C	BUSHING	NB-15	3
1027	6-B	BLANK SHEET	POE-0.05-35-5	1
1028	1-C	IKEGAMI LOGO	D45	1

BODY COVER (20-80/90) PM-903295 99032-20950				
No.	INDEX	PARTS NAME	PARTS No.	Q' ty
1101	2-A	TOP COVER	M2-923457	1
1102	6-D	SIDE COVER	M2-923454 (A)	1
1103	2-A	SIDE COVER	M2-923454 (B)	1
1104	1-A, 6-E	HANDLE	M2-911020	2
1105	1-B, 5-D	HANDLE COVER	M4-923455	2

BLANK METAL (1) PM-903386 99033-20860				
No.	INDEX	PARTS NAME	PARTS No.	Q' ty
1201	6-C	BLANK METAL (1)	M4-923692	1
1202	6-C	SHIELD TIGHT	STG1-5-233	1

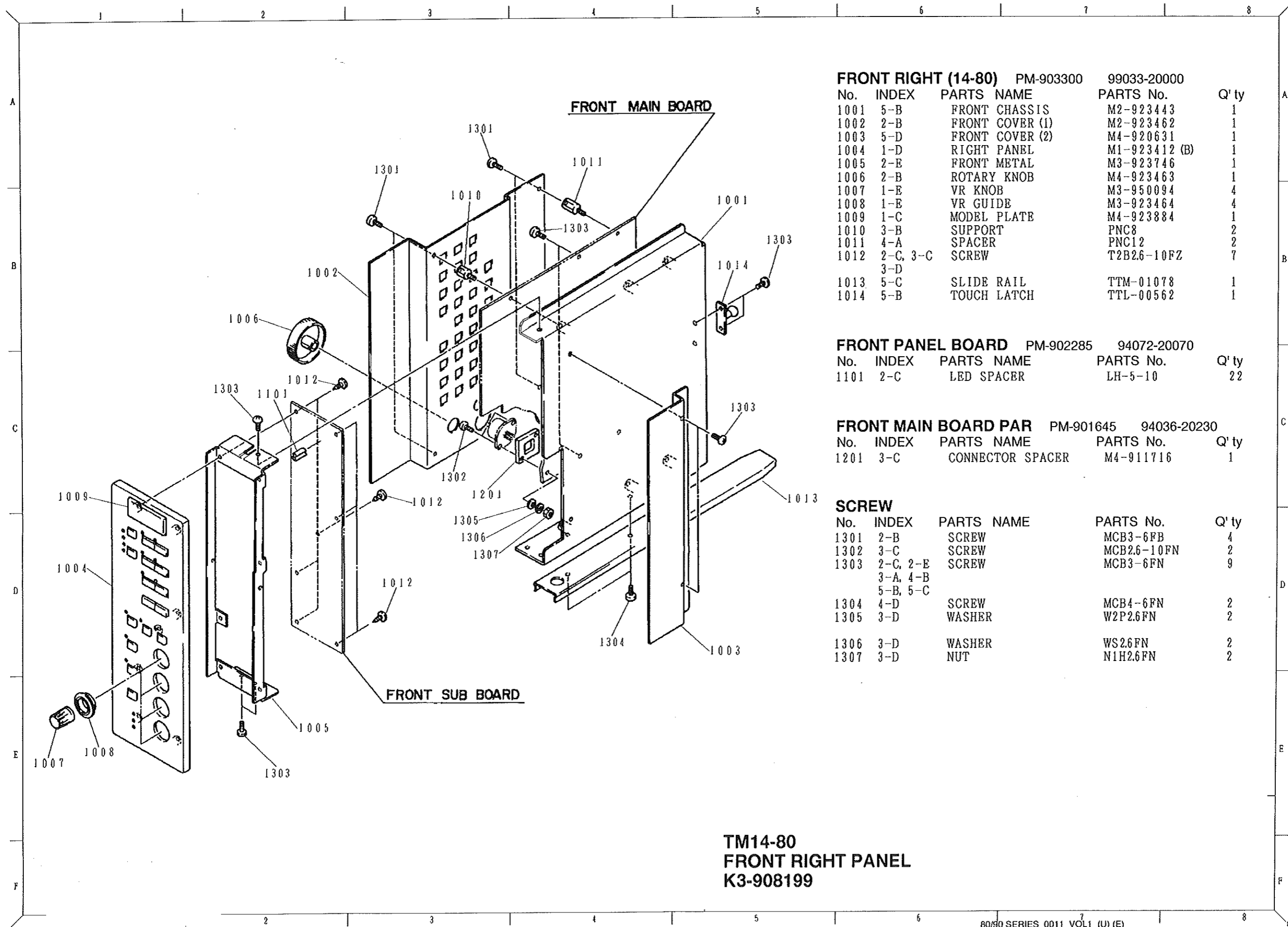
SCREW				
No.	INDEX	PARTS NAME	PARTS No.	Q' ty
1301	1-D	SCREW	MCB2-4FN	1
1302	1-A, 5-E	SCREW	MCF2-5FN	6
1303	1-B, 1-C	SCREW	MCB3-6FN	46
	2-B, 2-C			
	3-B, 3-D			
	4-A, 4-C			
	4-D, 4-E			
	5-B, 5-D			
	5-E, 6-C, 7-B			
1304	1-A, 1-B	SCREW	MCB4-6FN	15
	2-A, 3-A			
	5-B, 6-D, 6-E			
1305	3-E, 4-D, 4-E	SCREW	MCB4-8FN	8
1306	3-E	SCREW	MCB4-14FN	4
1308	3-E, 4-E	SCREW	MCF2.6-6FN	2
1309	3-B, 4-D	SCREW	MCB3-8FN	6
1310	2-C, 3-D	SCREW	MCP6-16FZ	4
1311	4-E	SCREW	T2F2.6-6FZ	3
1312	4-D	WASHER	W2P4FN	1
1313	4-D	WASHER	WO4FZ	1
1314	2-C, 3-D	WASHER	W2P6FZ	4
1315	2-C, 3-D	WASHER	WS6FZ	4
1316	1-C, 4-C	BUSHING (2)	M4-916295	2
1317	4-B	WIRE STAND OFF	WS75-75-M	2
1318	2-C	CABLE TIES	SG-100	2



**TM20-80/90 BODY**  
**K3-908193**



• TM14-80 FRONT RIGHT PANEL



FRONT RIGHT (14-80)		PM-903300	99033-20000	
No.	INDEX	PARTS NAME	PARTS No.	Q'ty
1001	5-B	FRONT CHASSIS	M2-923443	1
1002	2-B	FRONT COVER (1)	M2-923462	1
1003	5-D	FRONT COVER (2)	M4-920631	1
1004	1-D	RIGHT PANEL	M1-923412 (B)	1
1005	2-E	FRONT METAL	M3-923746	1
1006	2-B	ROTARY KNOB	M4-923463	1
1007	1-E	VR KNOB	M3-950094	4
1008	1-E	VR GUIDE	M3-923464	4
1009	1-C	MODEL PLATE	M4-923884	1
1010	3-B	SUPPORT	PNC8	2
1011	4-A	SPACER	PNC12	2
1012	2-C, 3-C	SCREW	T2B2.6-10FZ	7
	3-D			
1013	5-C	SLIDE RAIL	TTM-01078	1
1014	5-B	TOUCH LATCH	TTL-00562	1

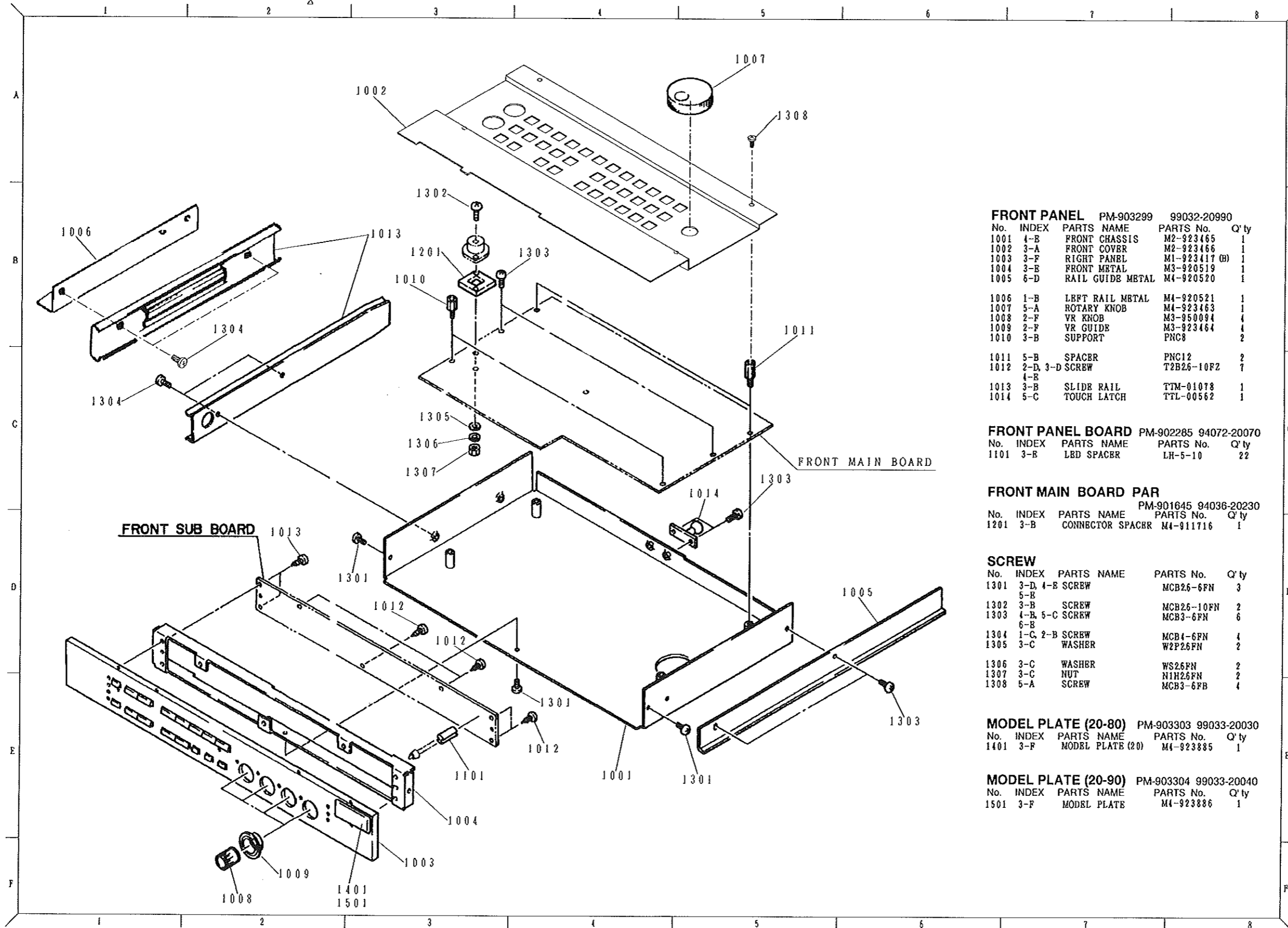
FRONT PANEL BOARD		PM-902285	94072-20070	
No.	INDEX	PARTS NAME	PARTS No.	Q'ty
1101	2-C	LED SPACER	LH-5-10	22

FRONT MAIN BOARD PAR		PM-901645	94036-20230	
No.	INDEX	PARTS NAME	PARTS No.	Q'ty
1201	3-C	CONNECTOR SPACER	M4-911716	1

SCREW				
No.	INDEX	PARTS NAME	PARTS No.	Q'ty
1301	2-B	SCREW	MCB3-6FB	4
1302	3-C	SCREW	MCB2.6-10FN	2
1303	2-C, 2-E	SCREW	MCB3-6FN	9
	3-A, 4-B			
	5-B, 5-C			
1304	4-D	SCREW	MCB4-6FN	2
1305	3-D	WASHER	W2P2.6FN	2
1306	3-D	WASHER	WS2.6FN	2
1307	3-D	NUT	N1H2.6FN	2

TM14-80  
FRONT RIGHT PANEL  
K3-908199

• TM20-80/90 FRONT RIGHT PANEL



**FRONT PANEL** PM-903299 99032-20990

No.	INDEX	PARTS NAME	PARTS No.	Q'ty
1001	4-B	FRONT CHASSIS	M2-923465	1
1002	3-A	FRONT COVER	M2-923466	1
1003	3-F	RIGHT PANEL	M1-923417 (B)	1
1004	3-B	FRONT MBTAL	M3-920519	1
1005	6-D	RAIL GUIDE MBTAL	M4-920520	1
1006	1-B	LEFT RAIL MBTAL	M4-920521	1
1007	5-A	ROTARY KNOB	M4-923463	1
1008	2-F	VR KNOB	M3-950094	4
1009	2-F	VR GUIDE	M3-923464	4
1010	3-B	SUPPORT	PNC8	2
1011	5-B	SPACER	PNC12	2
1012	2-D, 3-D	SCREW	T2B26-10FZ	7
	4-B			
1013	3-B	SLIDE RAIL	TTM-01078	1
1014	5-C	TOUCH LATCH	TTL-00562	1

**FRONT PANEL BOARD** PM-902285 94072-20070

No.	INDEX	PARTS NAME	PARTS No.	Q'ty
1101	3-B	LBD SPACER	LH-5-10	22

**FRONT MAIN BOARD PAR** PM-901645 94036-20230

No.	INDEX	PARTS NAME	PARTS No.	Q'ty
1201	3-B	CONNECTOR SPACER	M4-911716	1

**SCREW**

No.	INDEX	PARTS NAME	PARTS No.	Q'ty
1301	3-D, 4-B	SCREW	MCB26-6FN	3
	5-B			
1302	3-B	SCREW	MCB26-10FN	2
1303	4-B, 5-C	SCREW	MCB3-6FN	6
	6-B			
1304	1-C, 2-B	SCREW	MCB4-6FN	4
1305	3-C	WASHER	W2P26FN	2
1306	3-C	WASHER	WS26FN	2
1307	3-C	NUT	N1H26FN	2
1308	5-A	SCREW	MCB3-6FB	4

**MODEL PLATE (20-80)** PM-903303 99033-20030

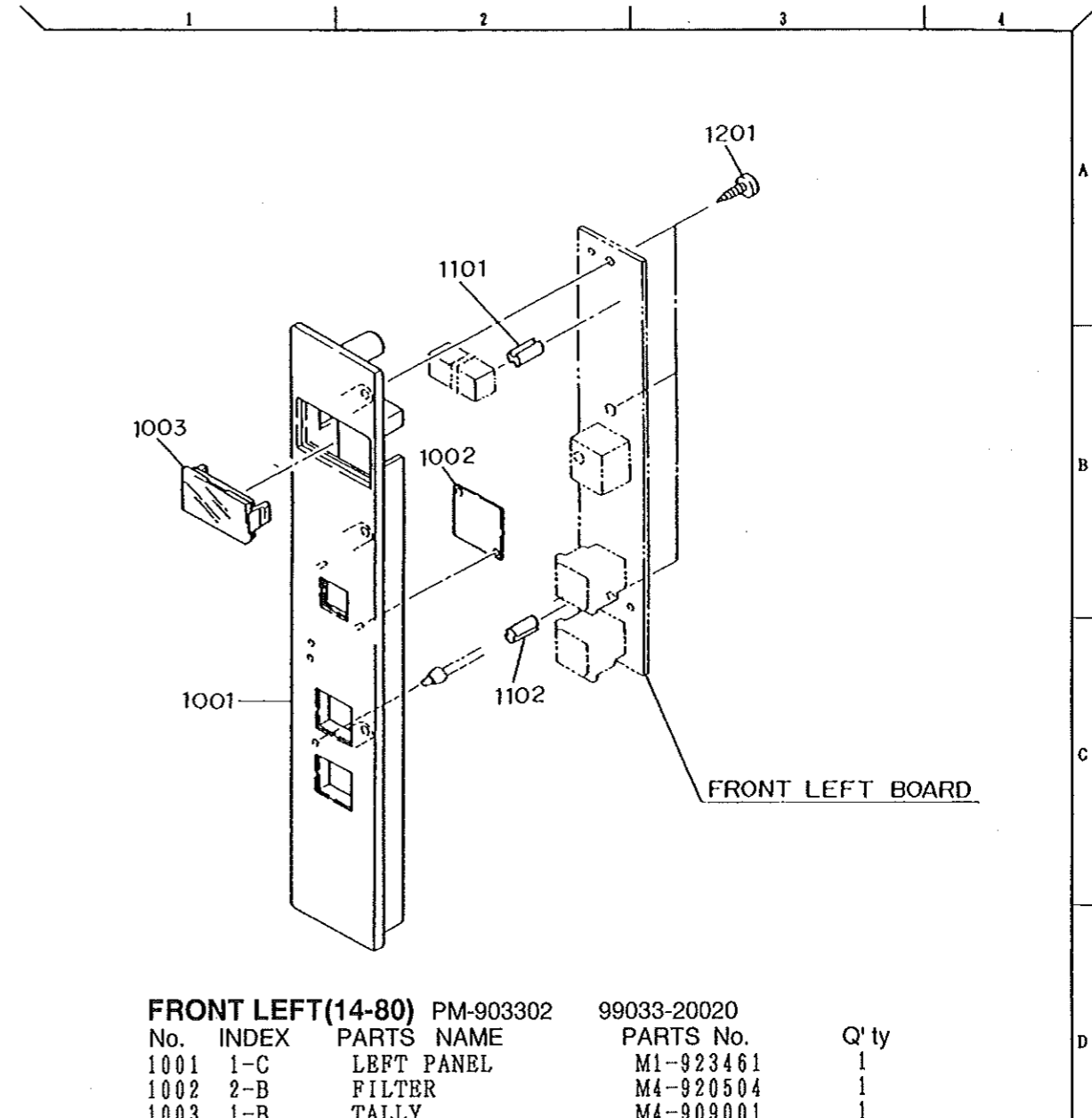
No.	INDEX	PARTS NAME	PARTS No.	Q'ty
1401	3-F	MODEL PLATE (20)	M4-923885	1

**MODEL PLATE (20-90)** PM-903304 99033-20040

No.	INDEX	PARTS NAME	PARTS No.	Q'ty
1501	3-F	MODEL PLATE	M4-923886	1

TM20-80/90  
FRONT RIGHT PANEL  
K3-908195

• TM14-80 FRONT LEFT PANEL



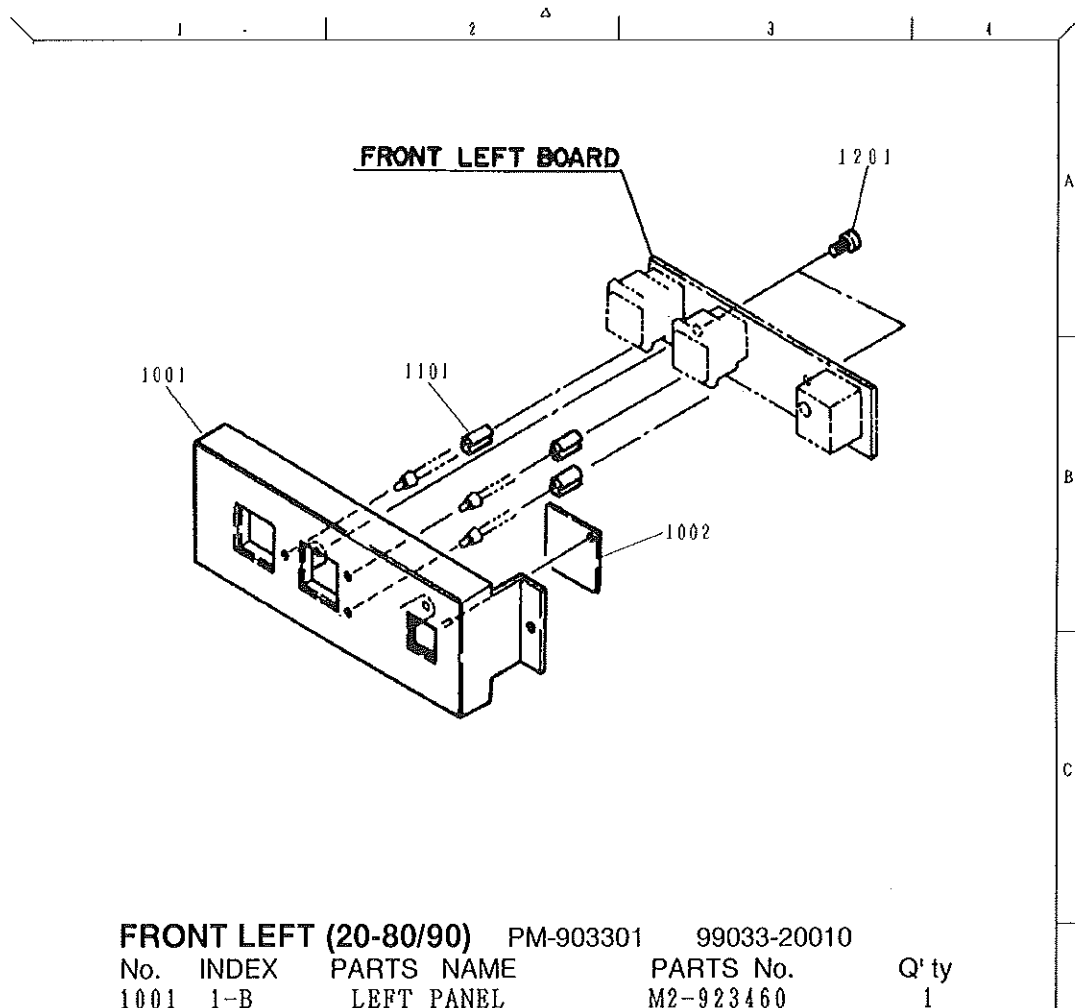
FRONT LEFT(14-80) PM-903302 99033-20020				
No.	INDEX	PARTS NAME	PARTS No.	Q'ty
1001	1-C	LEFT PANEL	M1-923461	1
1002	2-B	FILTER	M4-920504	1
1003	1-B	TALLY	M4-909001	1

FRONT LEFT BOARD PAR PM-902283 94069-20240				
No.	INDEX	PARTS NAME	PARTS No.	Q'ty
1101	2-A	LED SPACER	LH-5-7	4
1102	2-C	LED SPACER	LH-5-10	3

SCREW				
No.	INDEX	PARTS NAME	PARTS No.	Q'ty
1201	3-A	SCREW	T2B3-10FZ	3

TM14-80  
FRONT LEFT PANEL  
K4-908200

•TM20-80/90 FRONT LEFT PANEL



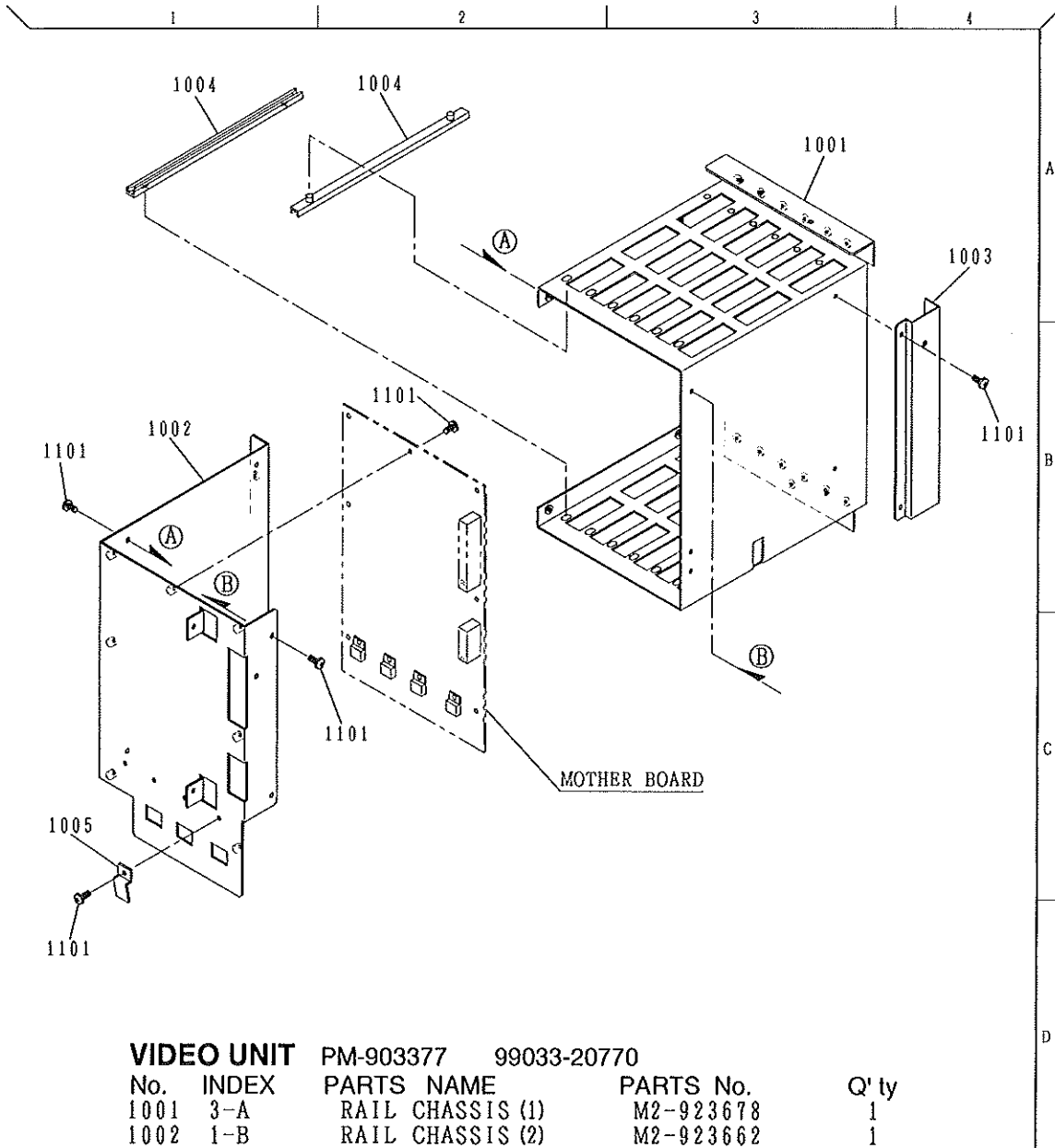
FRONT LEFT (20-80/90)		PM-903301	99033-20010	
No.	INDEX	PARTS NAME	PARTS No.	Q' ty
1001	1-B	LEFT PANEL	M2-923460	1
1002	3-B	FILTER	M4-920504	1

FRONT LEFT BOARD		PM-902284	94072-20060	
No.	INDEX	PARTS NAME	PARTS No.	Q' ty
1101	2-B	LED SPACBR	LH-5-10	3

SCREW				
No.	INDEX	PARTS NAME	PARTS No.	Q' ty
1201	3-A	SCREW	T2B3-10FZ	2

**TM20-80/90  
FRONT LEFT PANEL  
K4-908133**

• VIDEO UNIT BOARD



**VIDEO UNIT** PM-903377 99033-20770

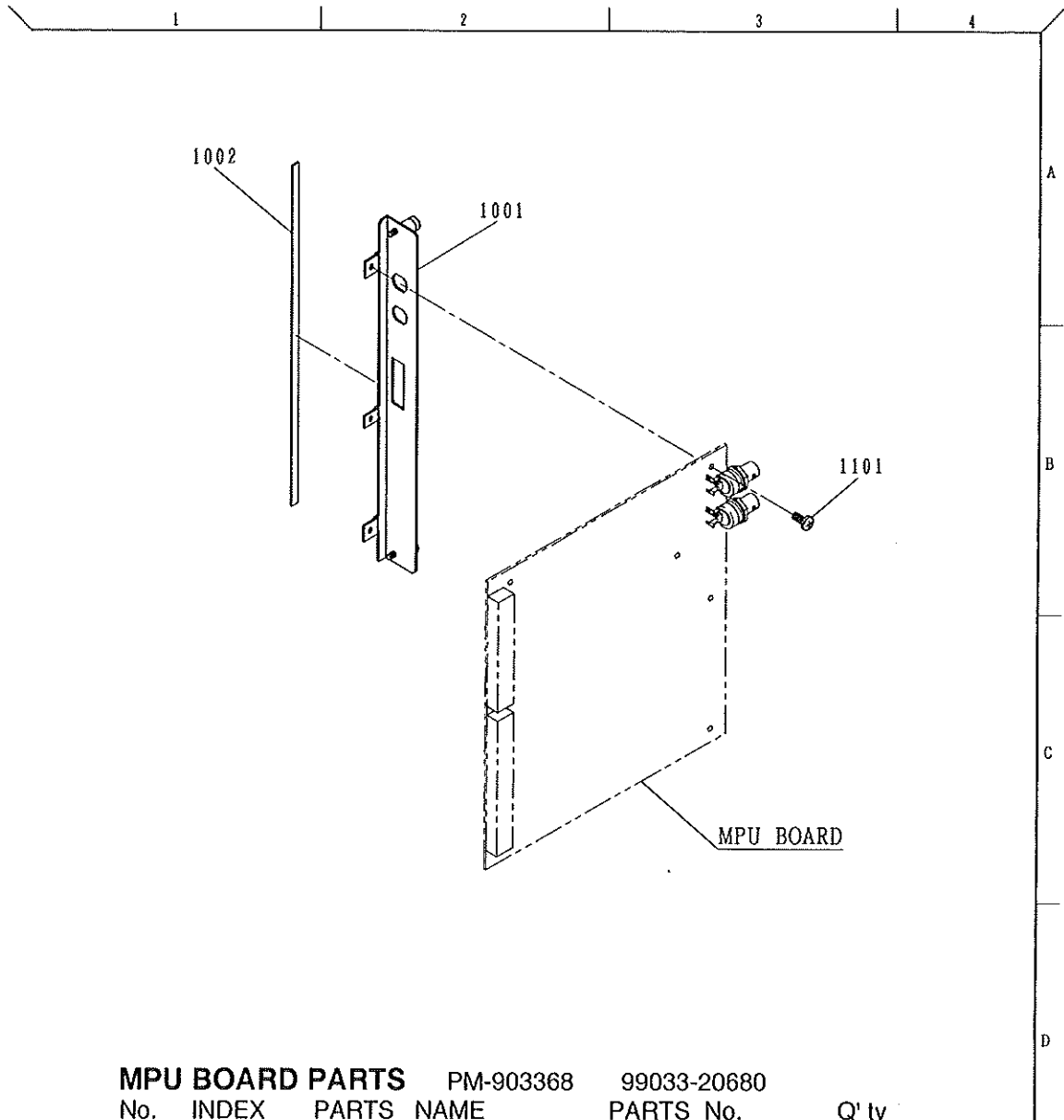
No.	INDEX	PARTS NAME	PARTS No.	Q'ty
1001	3-A	RAIL CHASSIS (1)	M2-923678	1
1002	1-B	RAIL CHASSIS (2)	M2-923662	1
1003	4-A	RAIL CHASSIS (3)	M4-923663	1
1004	1-A, 2-A	GUIDE RAIL	GRT-170	12
1005	1-C	TR HOLDER	TRB1806 (M1806)	4

**SCREW**

No.	INDEX	PARTS NAME	PARTS No.	Q'ty
1101	1-B, 1-D 2-B, 2-C 4-B	SCREW	MCB3-6FN	19

**VIDEO UNIT BOARD**  
**K4-908134**

• MPU BOARD

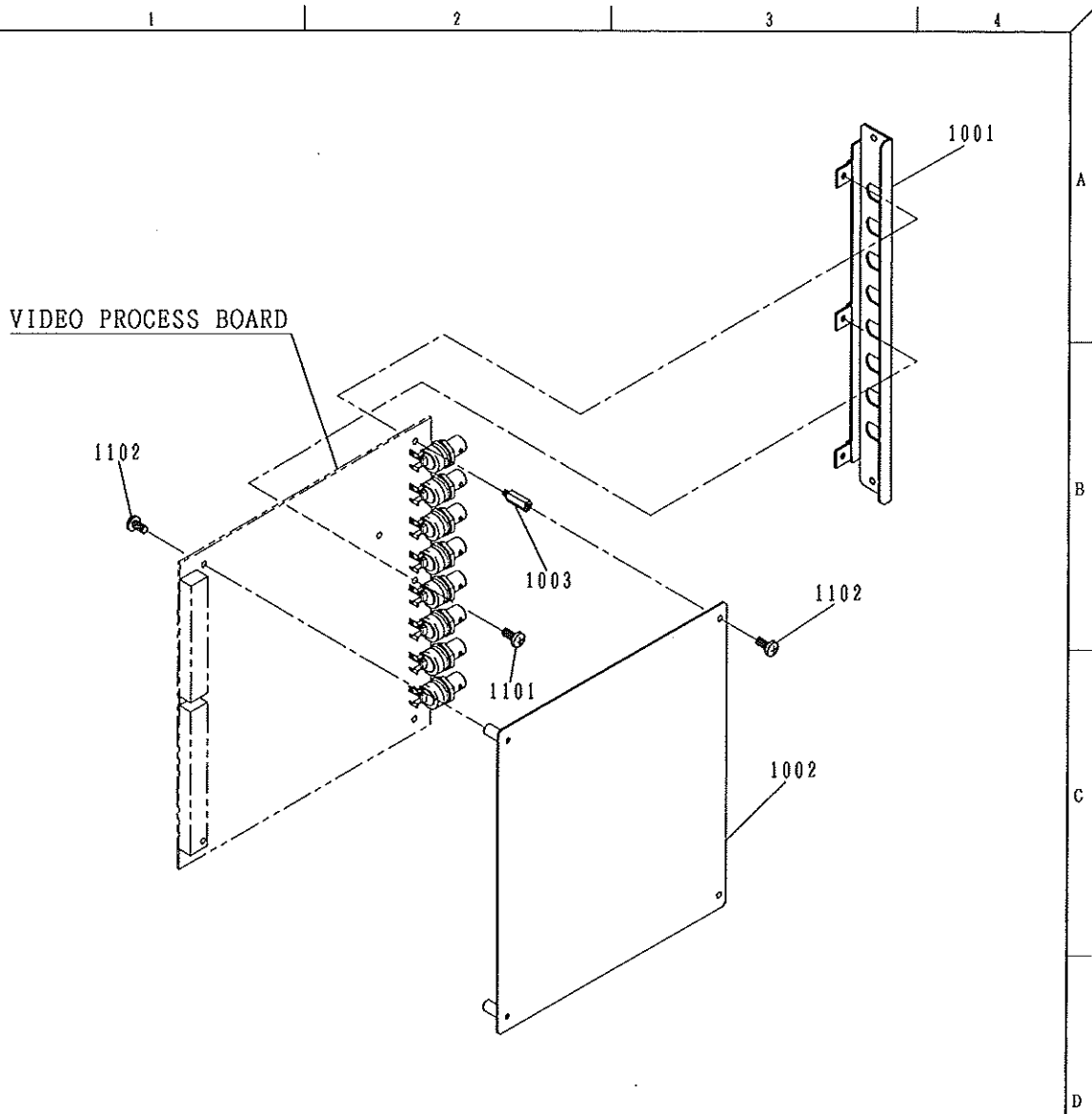


MPU BOARD PARTS PM-903368 99033-20680				
No.	INDEX	PARTS NAME	PARTS No.	Q'ty
1001	2-A	BNC METAL (MPU)	M4-923636	1
1002	1-A	SHIELD TIGHT	STG1-5-233	1

SCREW				
No.	INDEX	PARTS NAME	PARTS No.	Q'ty
1001	1-C	HEAT SINK (HV)	M4-923683	1

**MPU BOARD  
K4-908101**

• VIDEO PROCESS BOARD



**VIDEO PROCESS PARTS** PM-903327 99033-20270

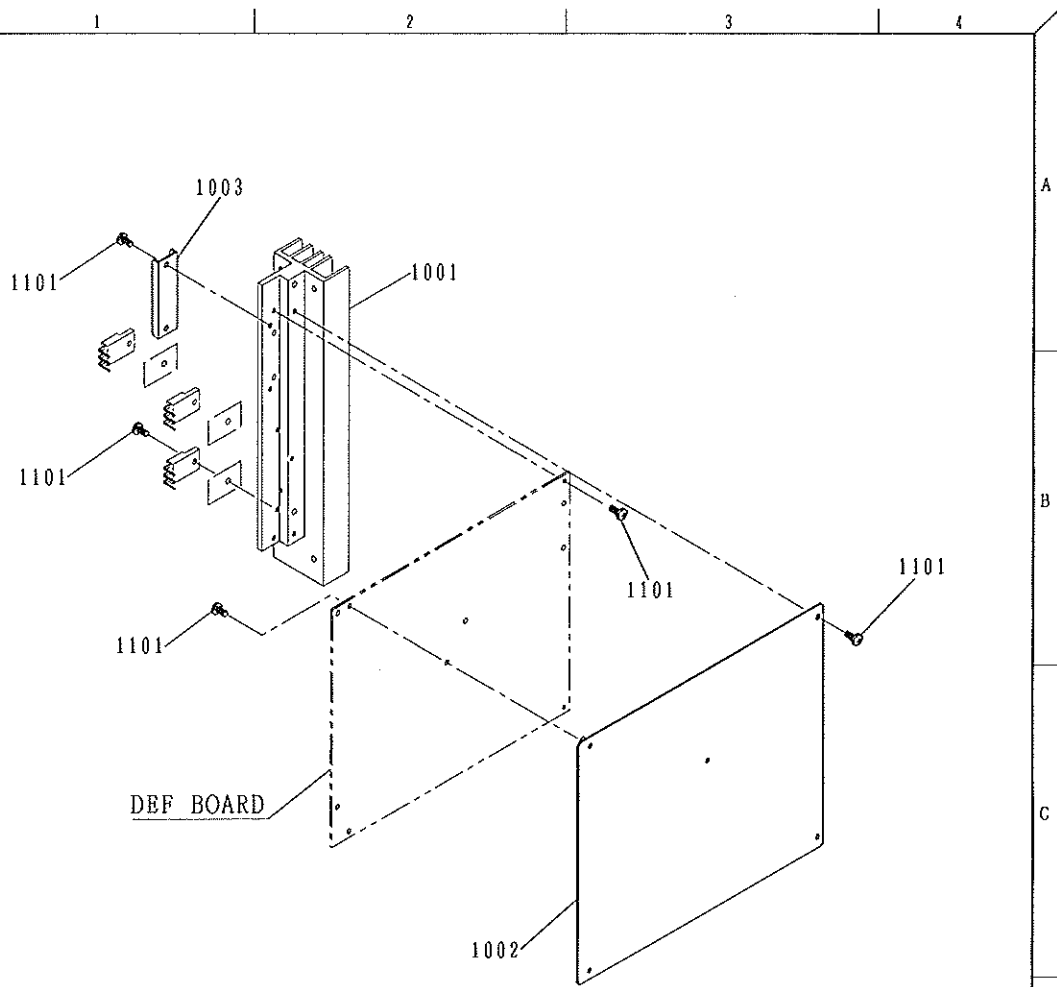
No.	INDEX	PARTS NAME	PARTS No.	Q'ty
1001	4-A	BNC METAL (I)	M4-923418 (B)	1
1002	3-B	SHIELD PLATE (V)	M4-923681	1
1003	2-B	SUPPORT	M4-923680 (A)	2

**SCREW**

No.	INDEX	PARTS NAME	PARTS No.	Q'ty
1101	2-C	SCREW	MCB3-4FN	1
1102	1-B, 3-B	SCREW	MCB3-6FN	4

**VIDEO PROCESS BOARD**  
**K4-908102**

• DEF BOARD



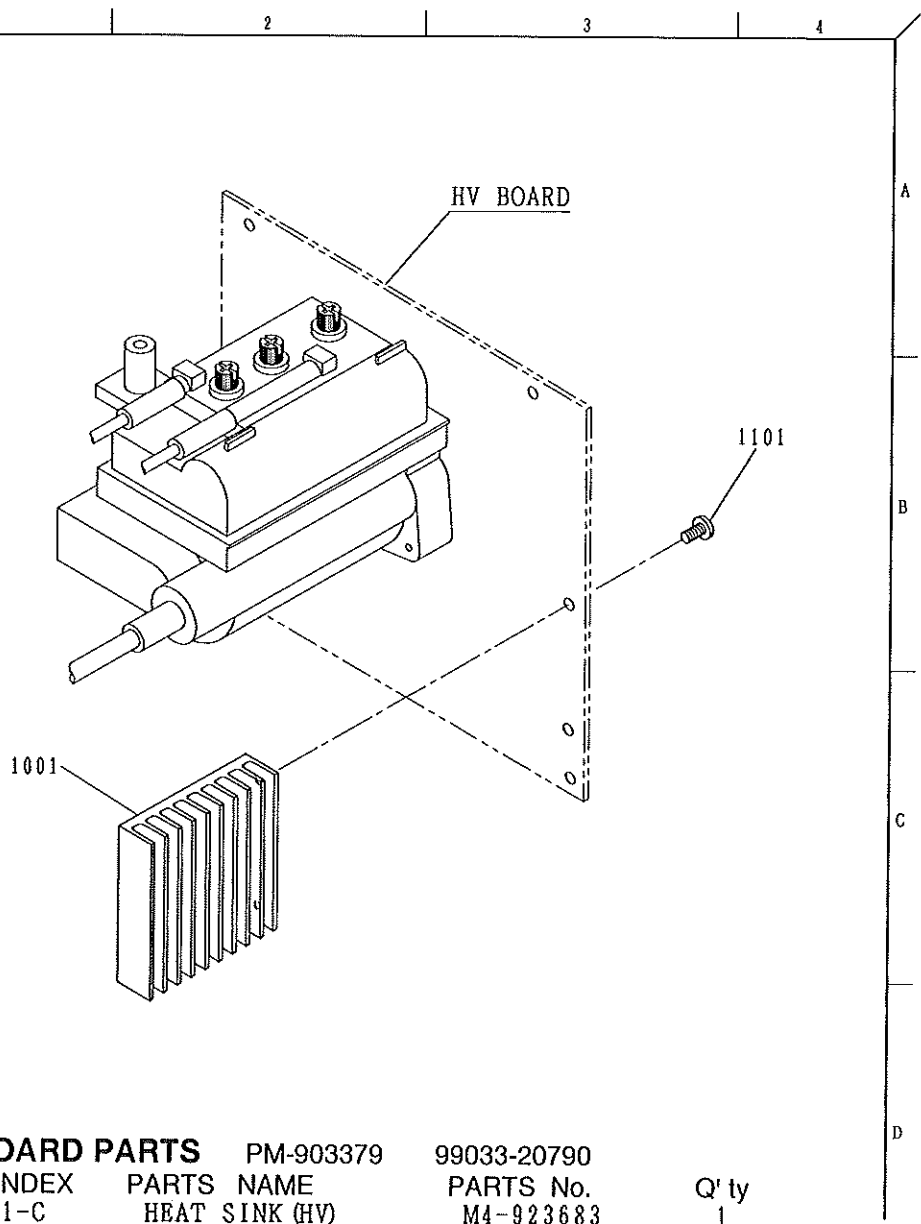
DEF BOARD PARTS			PM-903361	99033-20610	
No.	INDEX	PARTS NAME		PARTS No.	Q' ty
1001	2-A	HEAT SINK (DEF)		M2-923625	1
1002	2-C	SHIELD PANEL (D)		M4-923535	1
1003	1-A	TR FIXING METAL		M4-909466	1

SCREW					
No.	INDEX	PARTS NAME		PARTS No.	Q' ty
1101	1-A, 1-B 3-B, 4-B	SCREW		MCB3-6FN	12

**DEF BOARD**  
**K4-908095**



• H.V BOARD

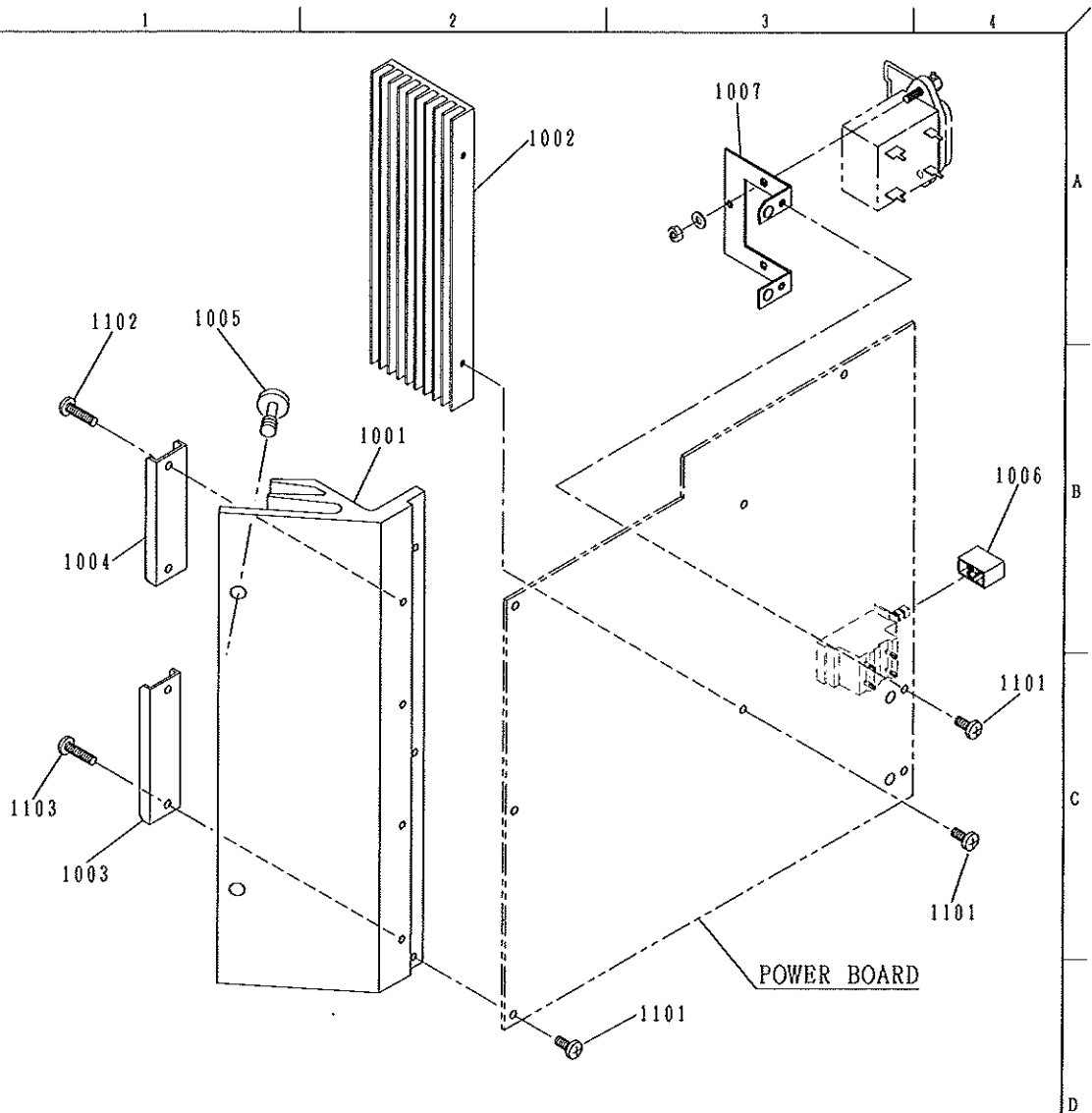


HV BOARD PARTS		PM-903379	99033-20790	
No.	INDEX	PARTS NAME	PARTS No.	Q'ty
1001	1-C	HEAT SINK (HV)	M4-923683	1

SCREW				
No.	INDEX	PARTS NAME	PARTS No.	Q'ty
1101	4-B	SCREW	MCB2.6-6FN	2

**H.V BOARD**  
**K4-908113**

• POWER BOARD



**POWER BOARD PARTS** PM-903320 99033-20200

No.	INDEX	PARTS NAME	PARTS No.	Q' ty
1001	2-B	POWER HEAT SINK (1)	M3-923414	1
1002	2-A	POWER HEAT SINK (2)	M4-923415	1
1003	1-C	TR METAL	M4-923416	1
1004	1-B	TR FIXING METAL	M4-909466	1
1005	1-A	SCREW	M4-923537	2
1006	4-B	POWER BUTTON	M3-917616	1
1007	3-A	INRET METAL	M4-923382	1

**SCREW**

No.	INDEX	PARTS NAME	PARTS No.	Q' ty
1101	3-D, 4-C	SCREW	MCB3-6FN	7
1102	1-A	SCREW	MCB3-12FN	2
1103	1-C	SCREW	MCB3-14FN	2

**POWER BOARD  
K4-908095**

**TM14-80RH/RP  
TM20-80RH/RP  
TM20-90RH/RP  
COLOR MONITOR**

**INSTRUCTION MANUAL**

1st Edition : November 2000

Published in Ikegami Factory of Ikegami Tsushinki Co.,Ltd.

© November 2000 Ikegami Tsushinki Co.,Ltd.

- All rights reserved. Reproduction or duplication, without permission of Ikegami Tsushinki Co., Ltd. of editorial or pictorial content in whole or in part, in any manner, is prohibited.
- Specifications and design are subject to change without prior notice.