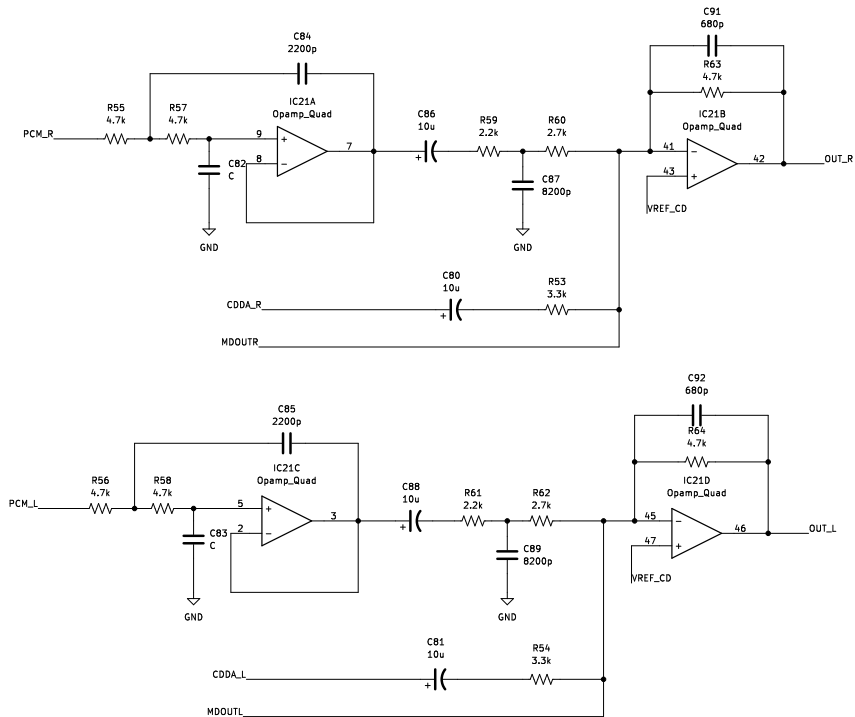
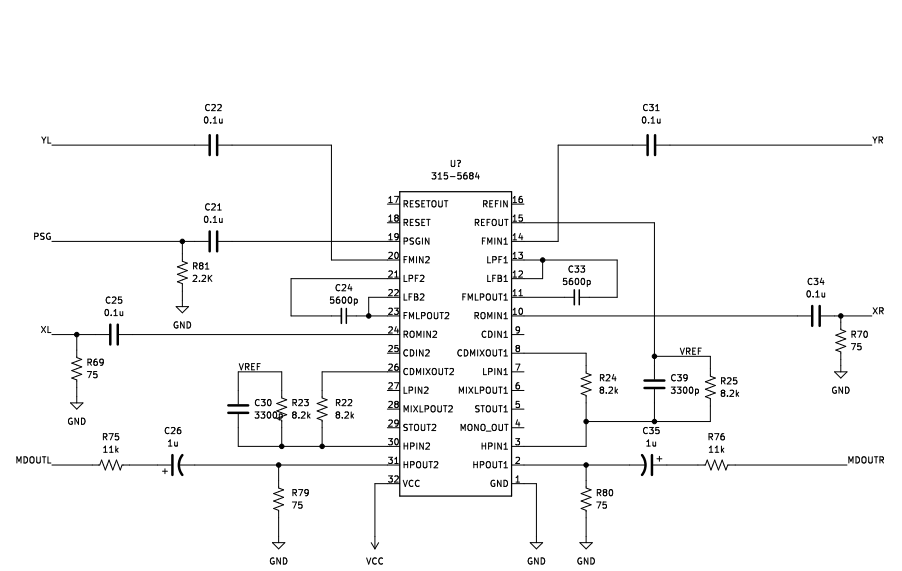


315-5619 Audio Circuit



NOTE: There may be errors around the 315-5619 Circuit.
Ceramic capacitor values were copied from the Model 1 Sega CD schematic.
Values are for reference only.

315-5684 Audio Circuit



NOTE: There may be minor errors around the 315-5684 Circuit.
Ceramic capacitor values were copied from the Model 2 VA3 schematic.
Values are for reference only.

ZAXOUR

Sheet: /
File: Sega_CDX_Audio_Circuit.kicad_sch

Title: Sega CDX Partial Audio Schematic

Size: USLedger Date:
KiCad E.D.A. kicad (6.0.7)

Rev:
Id: 1/1