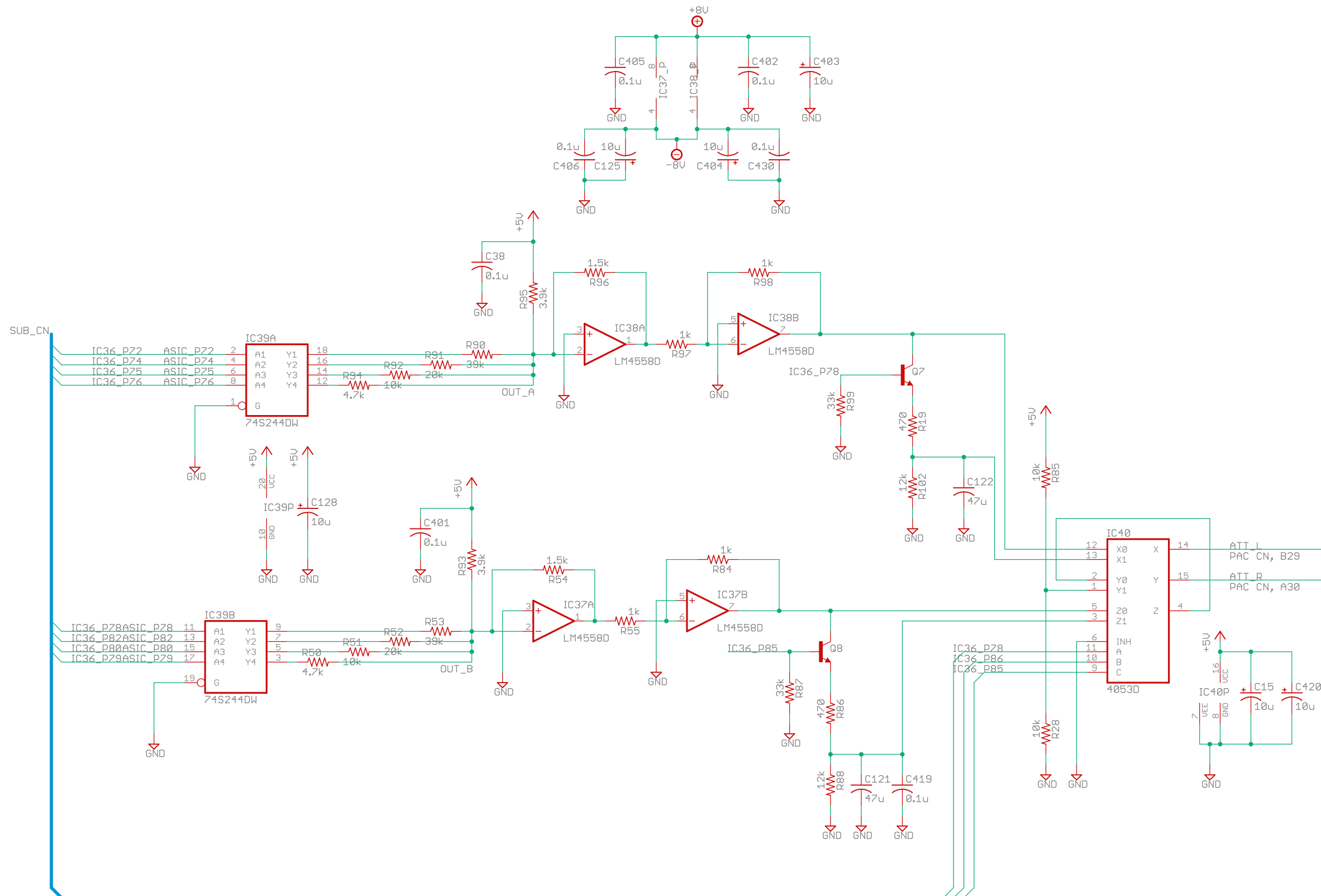
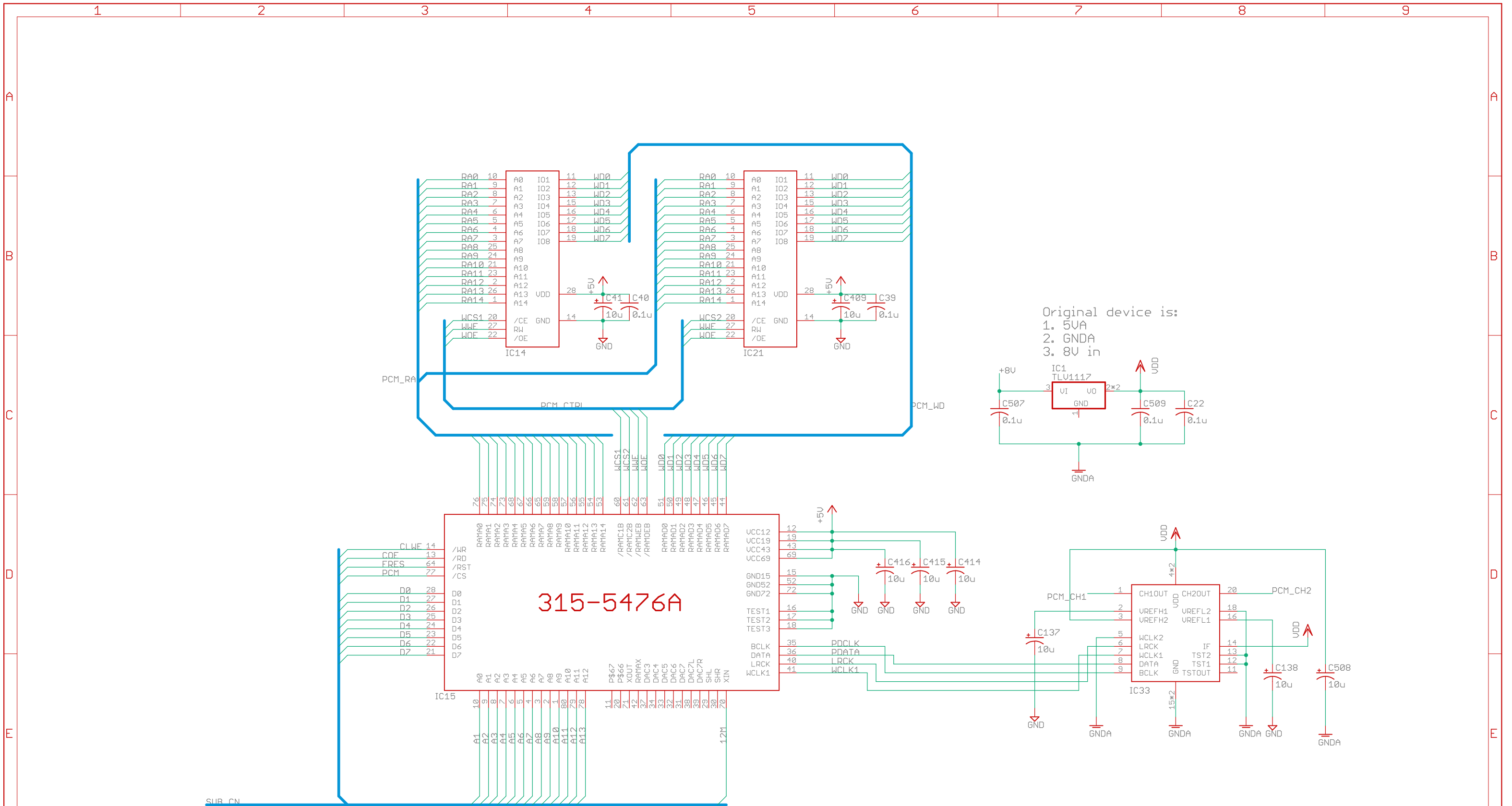


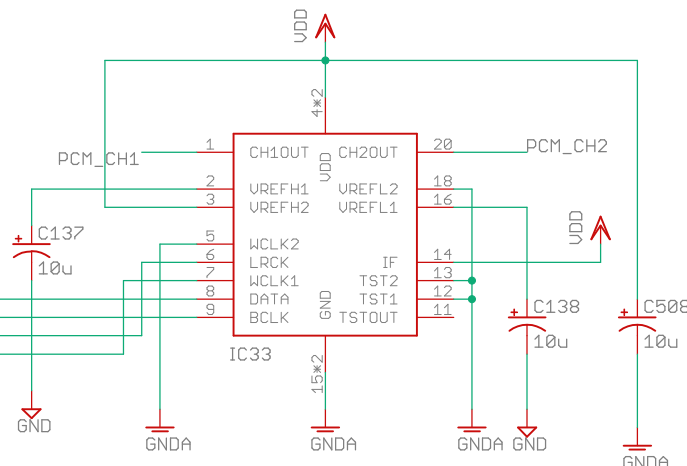
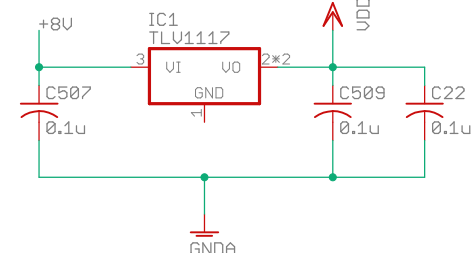
TITLE: PAC-S10 & S1 SSUB	
Document Number:	REV:
Date: 7/15/2022 11:08 AM	Sheet: 1/4



TITLE: PAC-S10 & S1 SSUB	
Document Number:	REV:
Date: 7/15/2022 11:08 AM	Sheet: 2/4



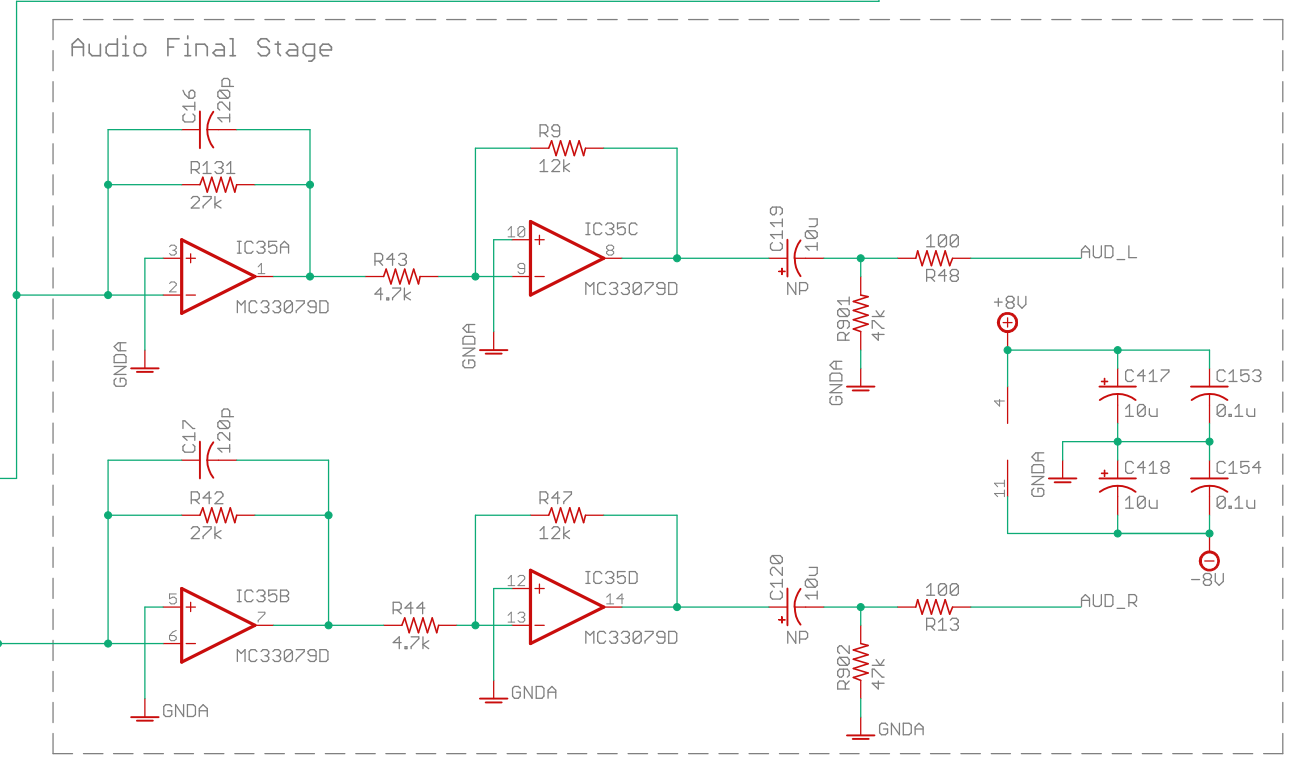
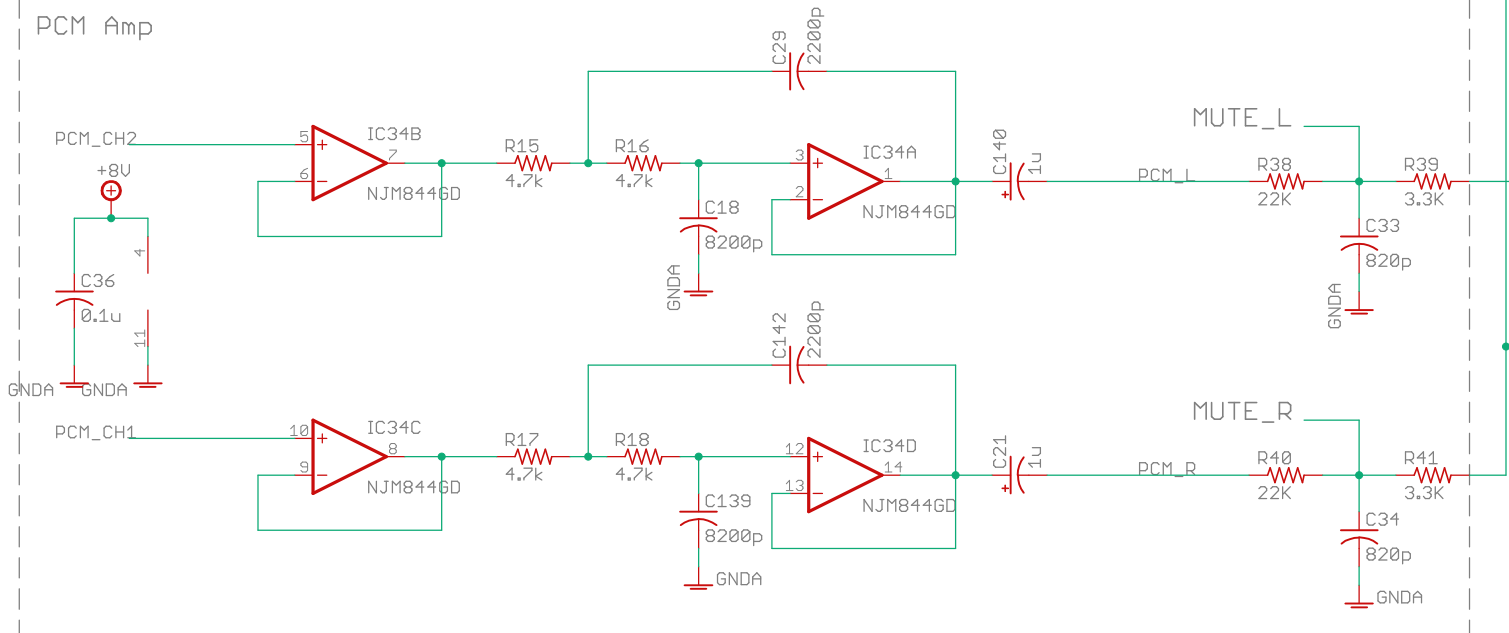
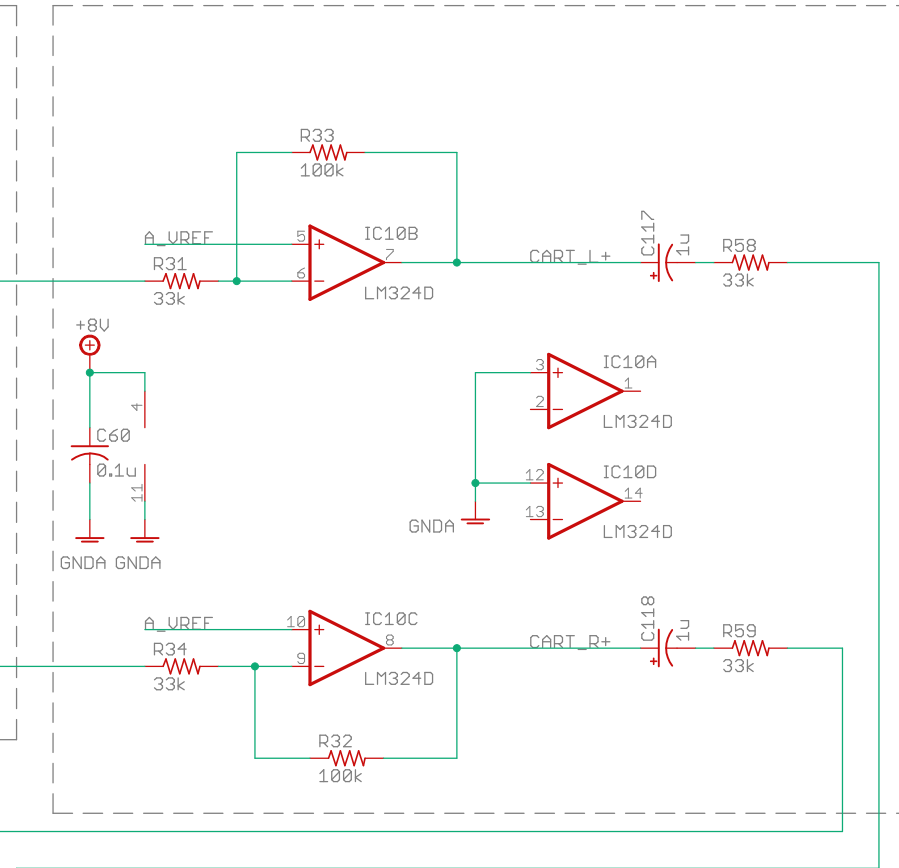
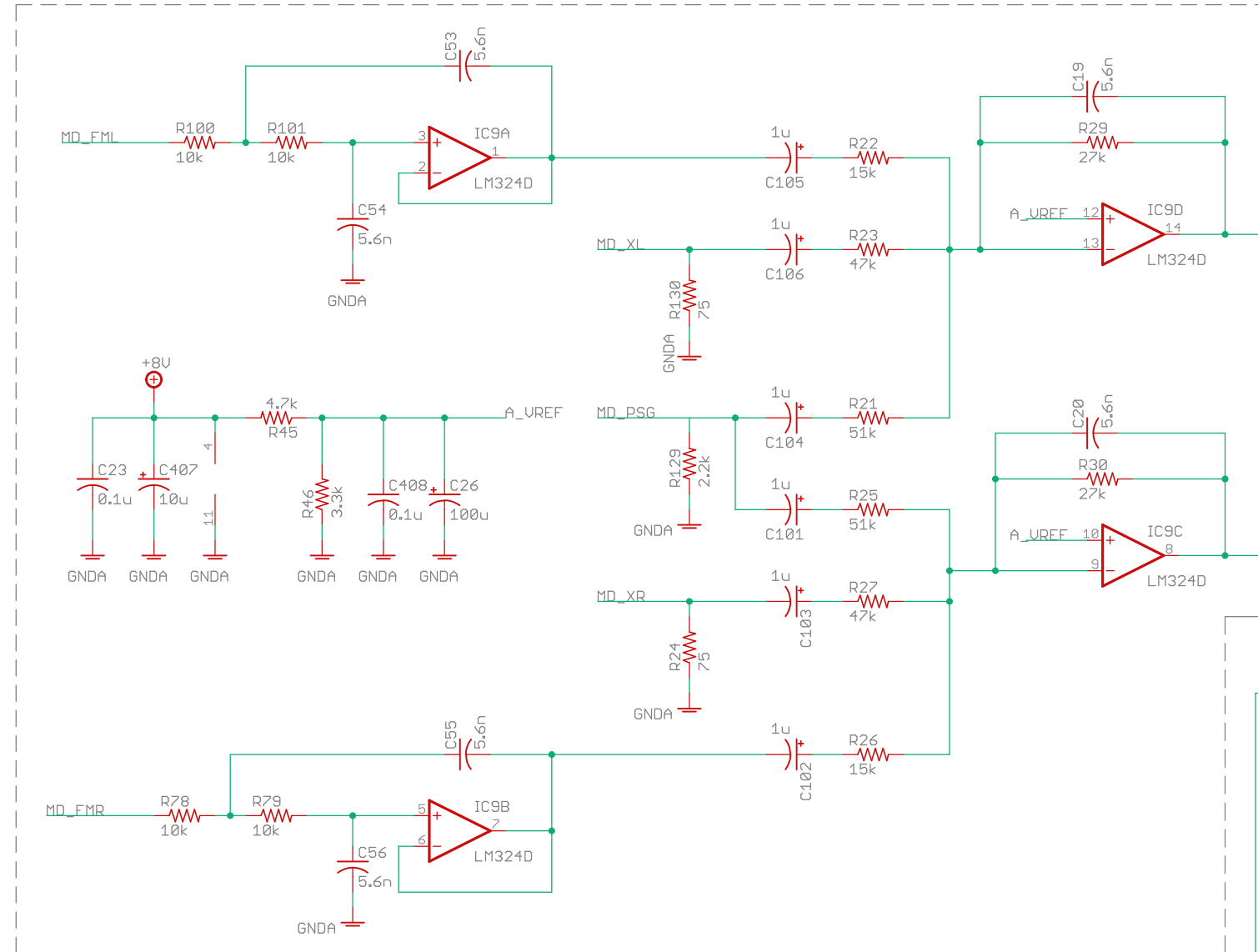
Original device is:
 1. 5V
 2. GND
 3. 8V in



TITLE: PAC-S10 & S1 SSUB	
Document Number:	REV:
Date: 7/15/2022 11:08 AM	Sheet: 3/4

Cart Audio Stage 1

Cart Audio Stage 2



TITLE: PAC-S10 & S1 SSUB	
Document Number:	REV:
Date: 7/15/2022 11:08 AM	Sheet: 4/4