



Display

Date: **October 9, 2000**

Model: **BVM-D14H1E, BVM-D14H1U
BVM-D14H5E, BVM-D14H5U**

Subject: **CORRECTING HORIZONTAL/VERTICAL
SYNC**

Serial No: **SEE TEXT**

Italicized information in green applies to Europe, Middle East and Africa.

DESCRIPTION

If the front edge of the G board contacts the G board bracket, a short-circuit of sync signal may occur, causing picture to lose sync.

To restore H/V sync, perform the following modification procedure.

NOTE: This procedure requires approximately 20mm (19mm in width) UL tape.

SERIAL NUMBERS

<i>BVM-D14H1E</i>	<i>2,000,001–2,000,025</i>
BVM-D14H1U	2,000,001–2,000,071
<i>BVM-D14H5E</i>	<i>2,000,001–2,000,040</i>
BVM-D14H5U	2,000,001–2,000,450

MODIFICATION PROCEDURE

See Figure 1.

1. Remove four screws and remove upper cabinet.
2. Remove seven BVTT 3 x 6 screws and remove upper rear panel.
3. Remove two PSW 4 x 8 screws from lower rear panel.

NOTE: Do *not* remove lower rear panel from the G board bracket.

4. Remove one PSW 3 x 12 screw securing the FBT.
5. Hold G board shield case with one hand, and draw out the G board by 5cm with the other hand.

See Figure 2.

6. Affix UL tape as shown.

CONFIRMATION

Verify that connectors are firmly connected.

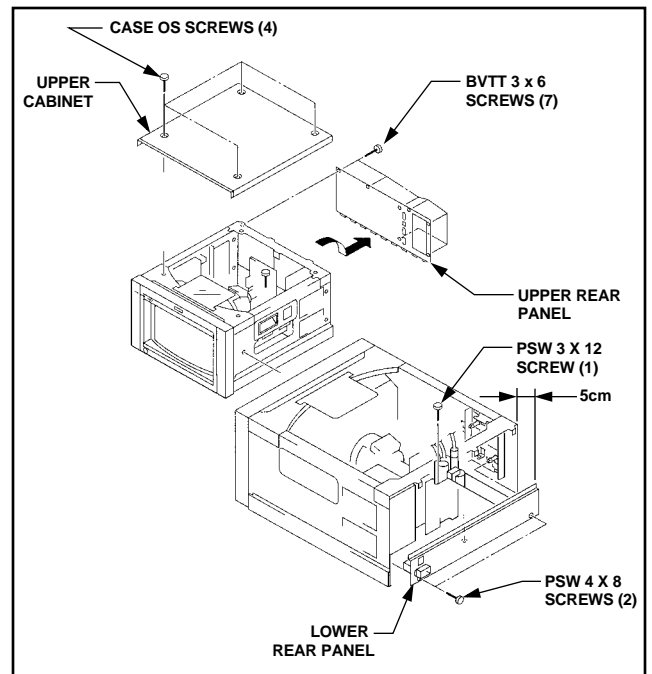


Figure 1

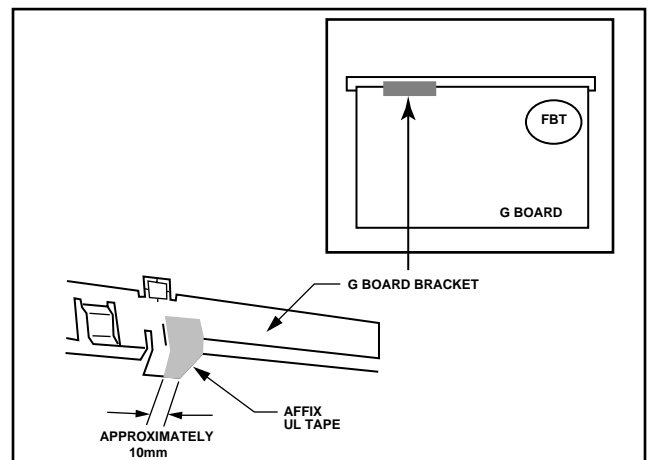


Figure 2