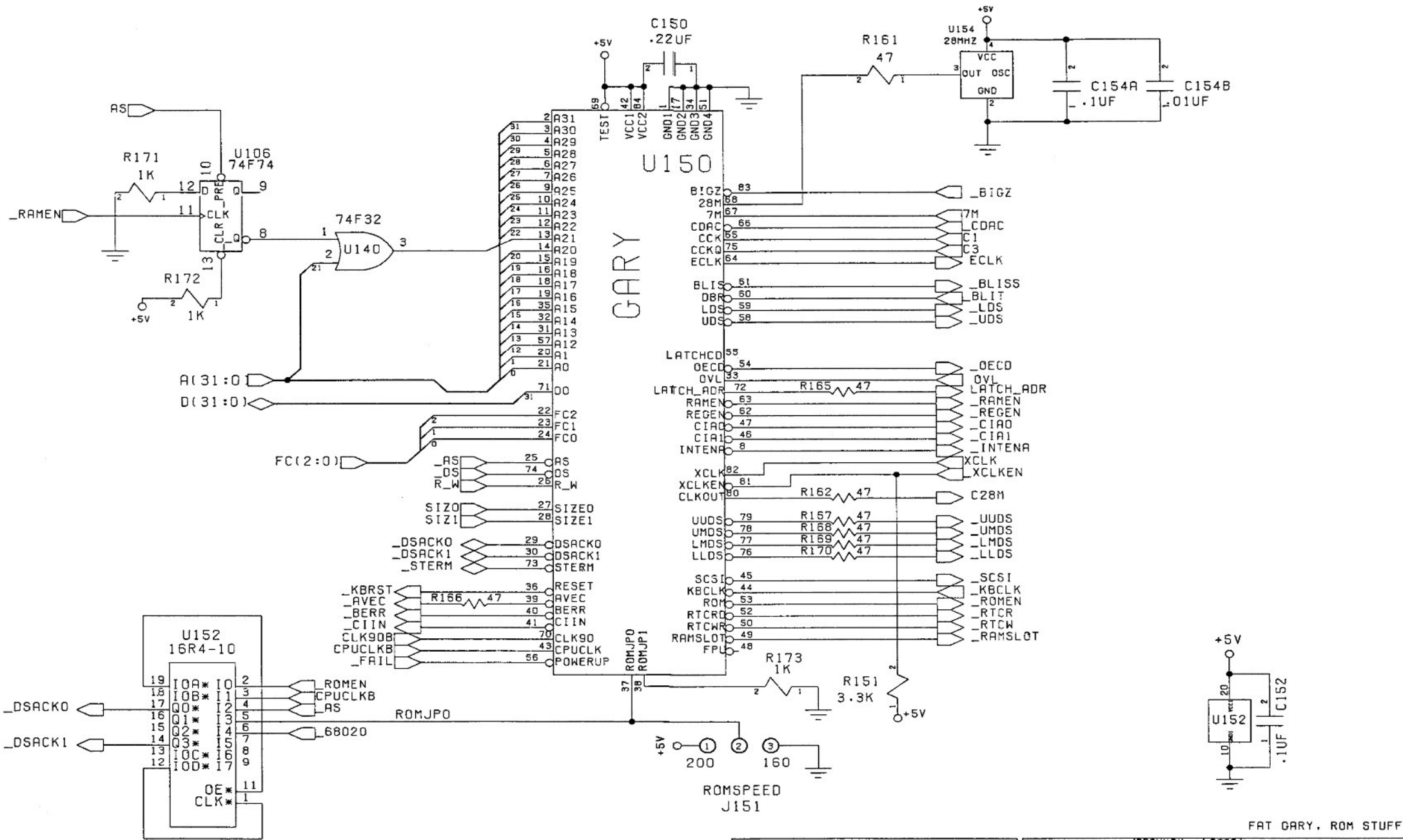


© 1980 COMMODORE BUSINESS MACHINES
 INFORMATION CONTAINED HEREIN IS THE UNPUBLISHED,
 CONFIDENTIAL AND TRADE SECRET PROPERTY OF
 COMMODORE BUSINESS MACHINES, INC. ANY USE,
 REPRODUCTION OR DISCLOSURE OF THIS INFORMATION
 WITHOUT THE PRIOR WRITTEN PERMISSION OF
 COMMODORE IS STRICTLY PROHIBITED.

C.A.D. GENERATED
 NO MANUAL CHANGES MAY BE MADE TO THIS DOCUMENT

UNLESS OTHERWISE SPECIFIED:	ORIGINATOR: GREG BERLIN	DATE: 9/20/80	COMMODORE
FILE: .X .XX .XXX	ENGR: DCB	APPR:	SCHEMATIC
MATERIAL:	USED ON: NEXT ASSY:	SCALE: NONE	A4000
FINISH:	84000	SIZE: C	364836
		REVISION: 8	3 OF 17

PATH: \\PROJCT\A4000\PCB_REV1.PCB



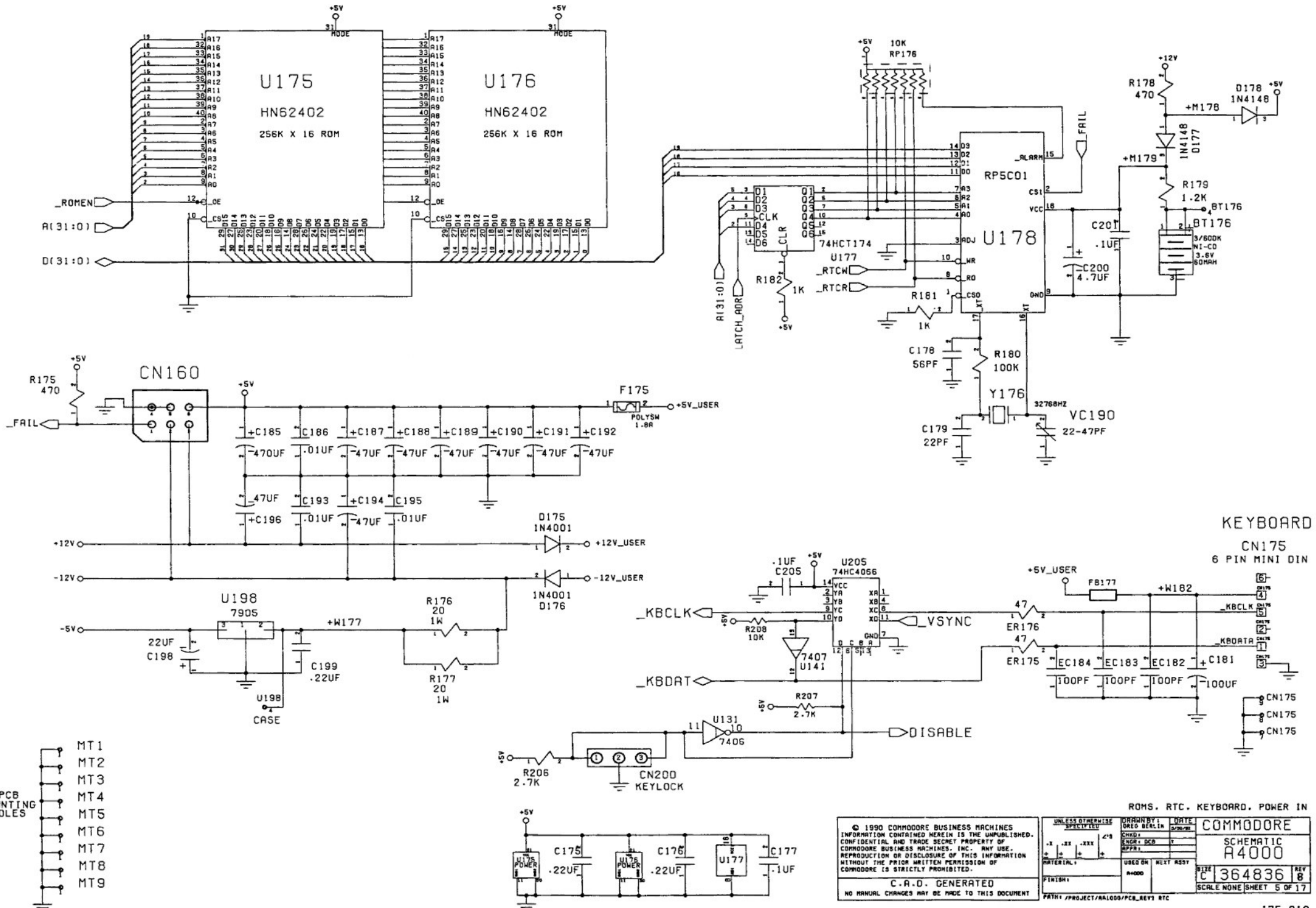
FAT GARY. ROM STUFF

© 1990 COMMODORE BUSINESS MACHINES
 INFORMATION CONTAINED HEREIN IS THE UNPUBLISHED,
 CONFIDENTIAL AND TRADE SECRET PROPERTY OF
 COMMODORE BUSINESS MACHINES, INC. ANY USE,
 REPRODUCTION OR DISCLOSURE OF THIS INFORMATION
 WITHOUT THE PRIOR WRITTEN PERMISSION OF
 COMMODORE IS STRICTLY PROHIBITED.

C.A.D. GENERATED
 NO MANUAL CHANGES MAY BE MADE TO THIS DOCUMENT

UNLESS OTHERWISE SPECIFIED	DRAWN BY: GREG BERLIN	DATE: 3/30/92
.X .XX .XXX /S	CHKD:	
+ ± ± ± ±	ENGR: GCB	1
MATERIAL:	APPR:	
FINISH:	USED ON: A4000	NEXT ASSY:

COMMODORE	
SCHEMATIC A4000	
SIZE: C	364836
SCALE: NONE	SHEET 4 OF 17
REV: B	

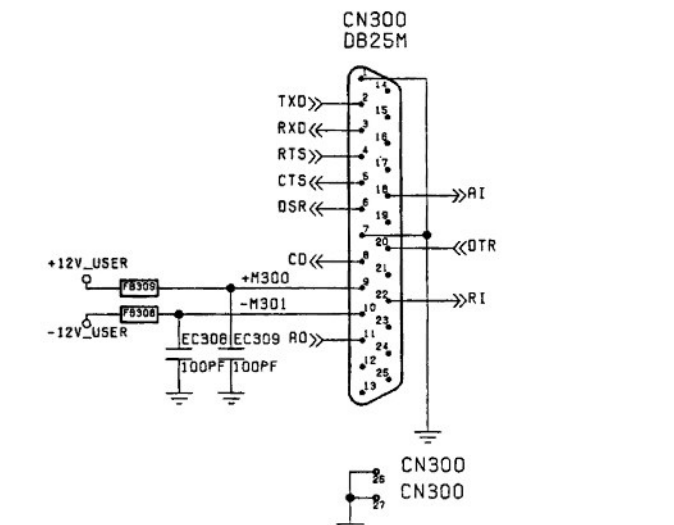
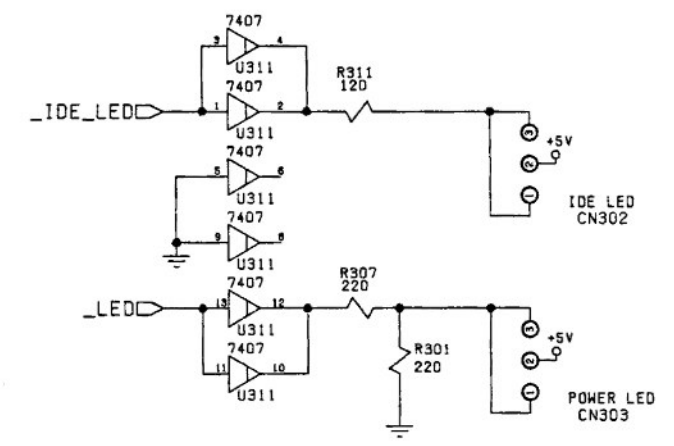
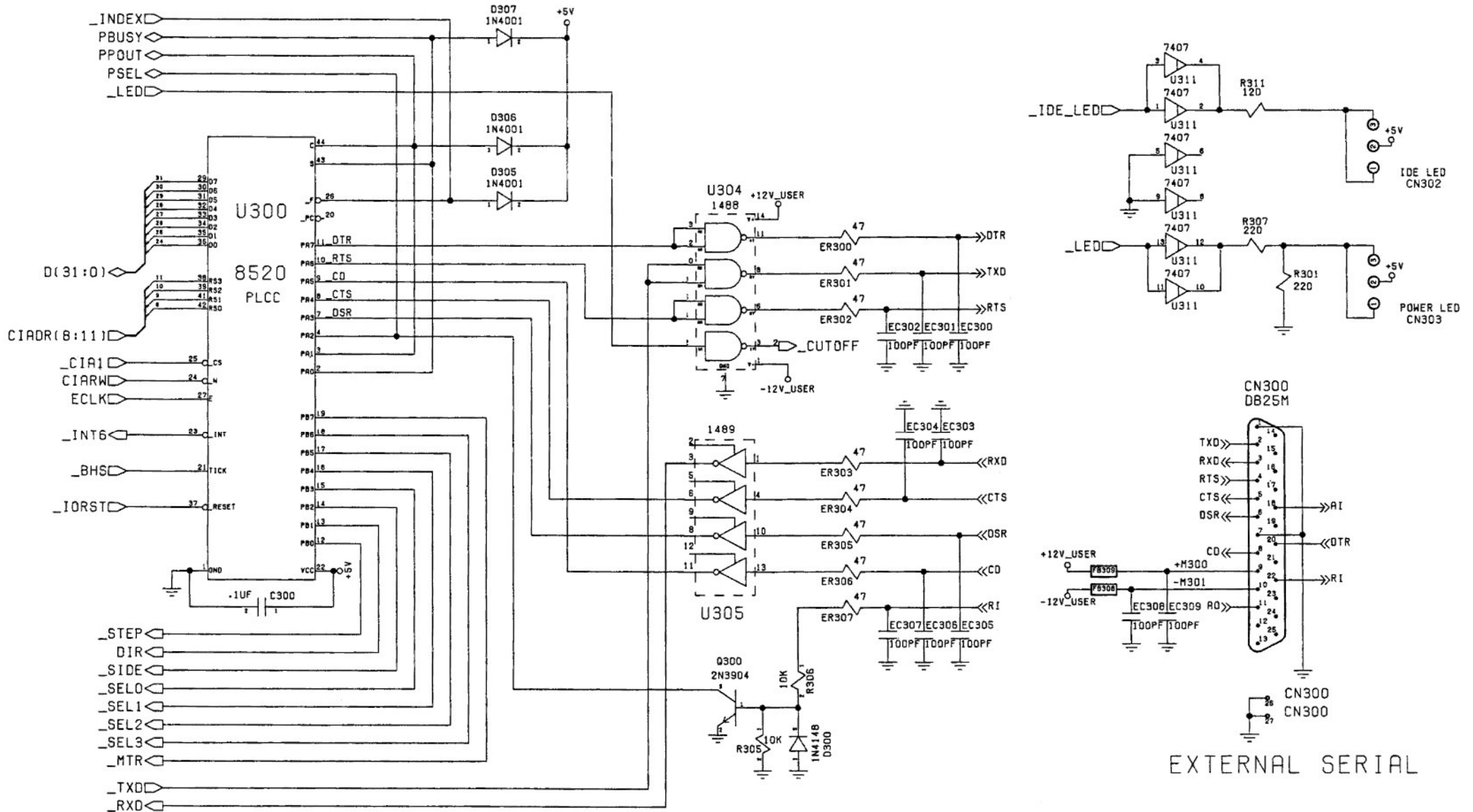


- PCB MOUNTING HOLES
- MT1
 - MT2
 - MT3
 - MT4
 - MT5
 - MT6
 - MT7
 - MT8
 - MT9

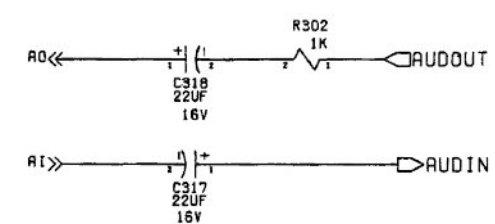
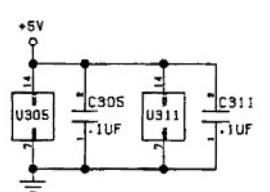
© 1990 COMMODORE BUSINESS MACHINES
 INFORMATION CONTAINED HEREIN IS THE UNPUBLISHED,
 CONFIDENTIAL AND TRADE SECRET PROPERTY OF
 COMMODORE BUSINESS MACHINES, INC. ANY USE,
 REPRODUCTION OR DISCLOSURE OF THIS INFORMATION
 WITHOUT THE PRIOR WRITTEN PERMISSION OF
 COMMODORE IS STRICTLY PROHIBITED.

C.A.O. GENERATED
 NO MANUAL CHANGES MAY BE MADE TO THIS DOCUMENT

UNLESS OTHERWISE SPECIFIED	DRAWN BY: ONED BERLIN	DATE: 02/08/90
1: .XX .XXX	ENGR: DCB	
+	APPR:	
MATERIAL:	USED ON	RELT ASST
FINISH:	AMOD	
ROMS, RTC, KEYBOARD, POWER IN COMMODORE SCHEMATIC A4000 SIZE: C 364836 SCALE: NONE SHEET 5 OF 17		



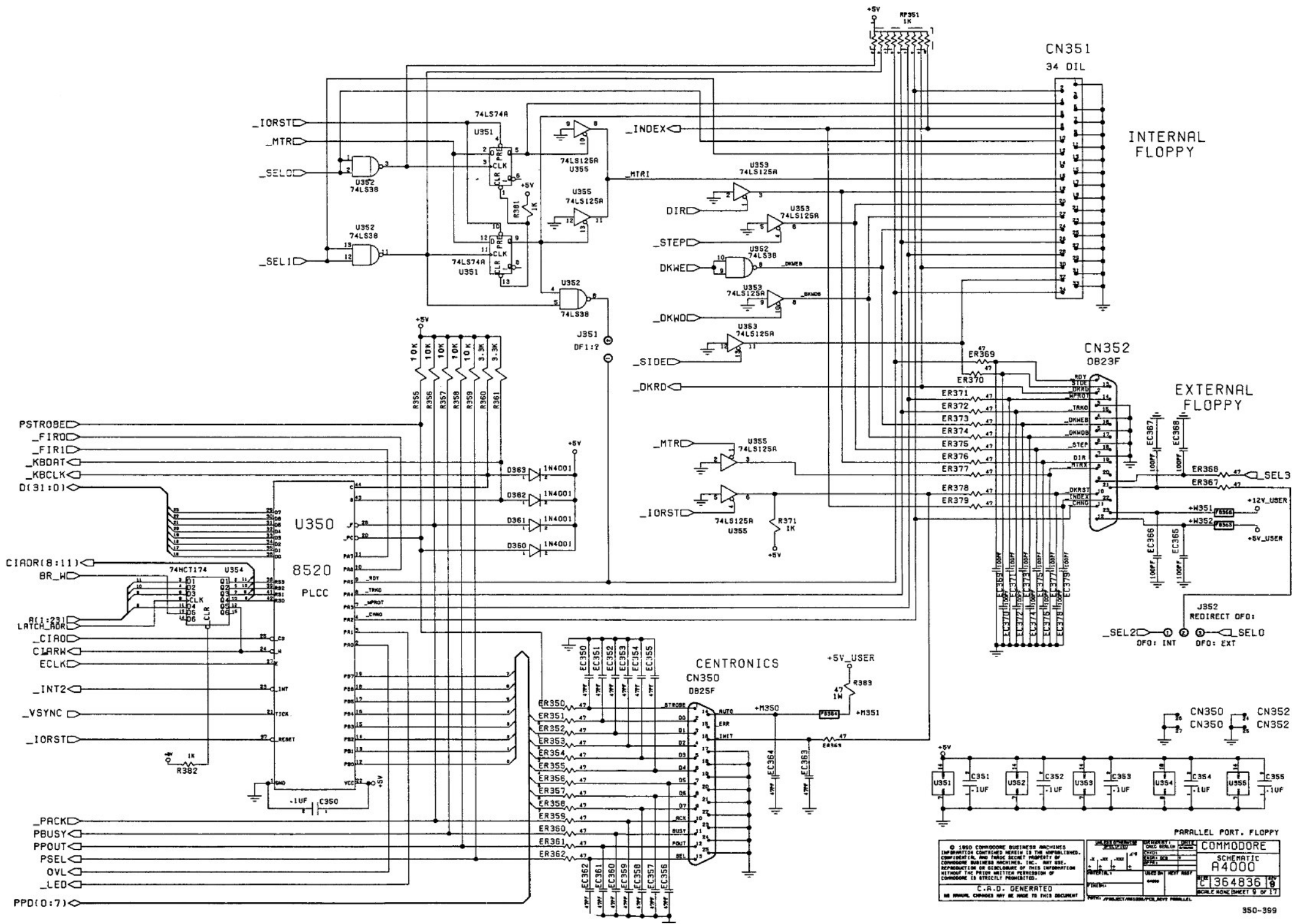
EXTERNAL SERIAL

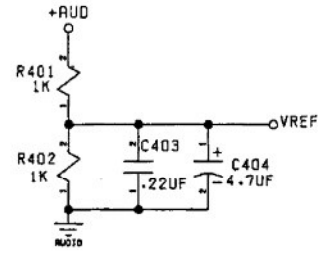
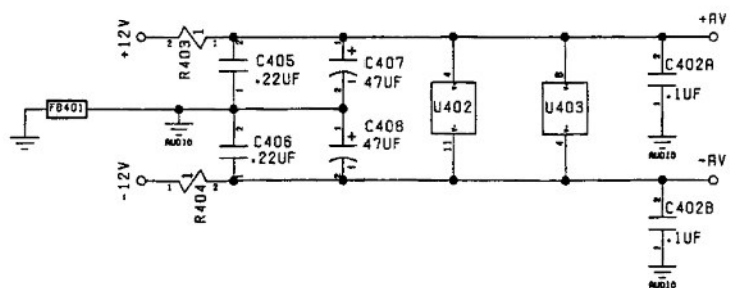
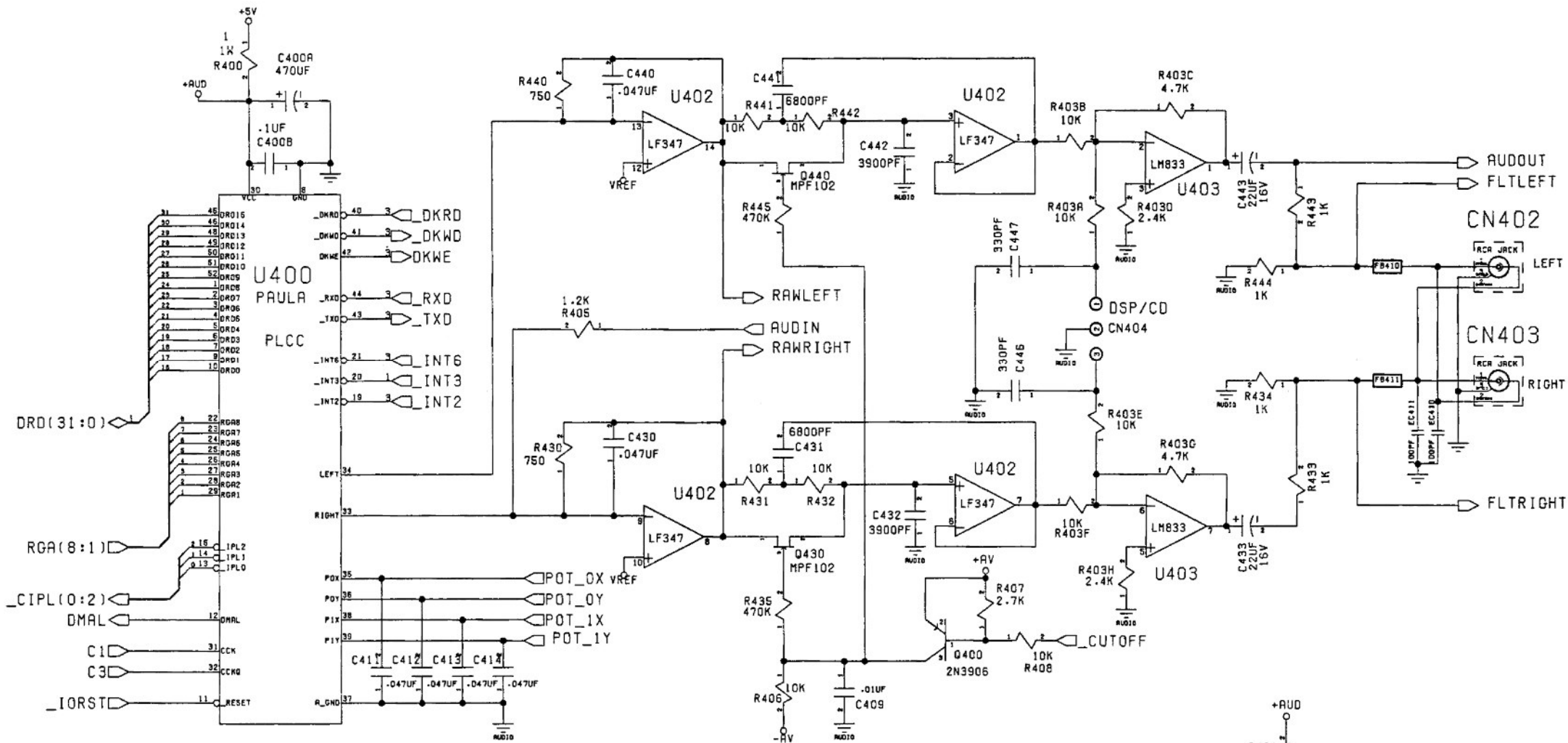


SERIAL PORT

© 1980 COMMODORE BUSINESS MACHINES INFORMATION CONTAINED HEREIN IS THE UNPUBLISHED, CONFIDENTIAL, AND TRADE SECRET PROPERTY OF COMMODORE BUSINESS MACHINES, INC. ANY USE, REPRODUCTION OR DISCLOSURE OF THIS INFORMATION WITHOUT THE PRIOR WRITTEN PERMISSION OF COMMODORE IS STRICTLY PROHIBITED.		UNLESS OTHERWISE SPECIFIED		COMPANY: LUTHE GREG BEALIN		DATE:		COMMODORE	
C.A.D. GENERATED		USED ON:		PART:		REV:		SCHEMATIC	
NO MANUAL CHANGES MAY BE MADE TO THIS DOCUMENT		FILE:		PART:		REV:		A4000	
PATH: /PROJECT/R4000/PCB_REV7 SERIAL		FILE:		PART:		REV:		C 364836	
SCALE: NONE		SHEET:		OF:		17		B	

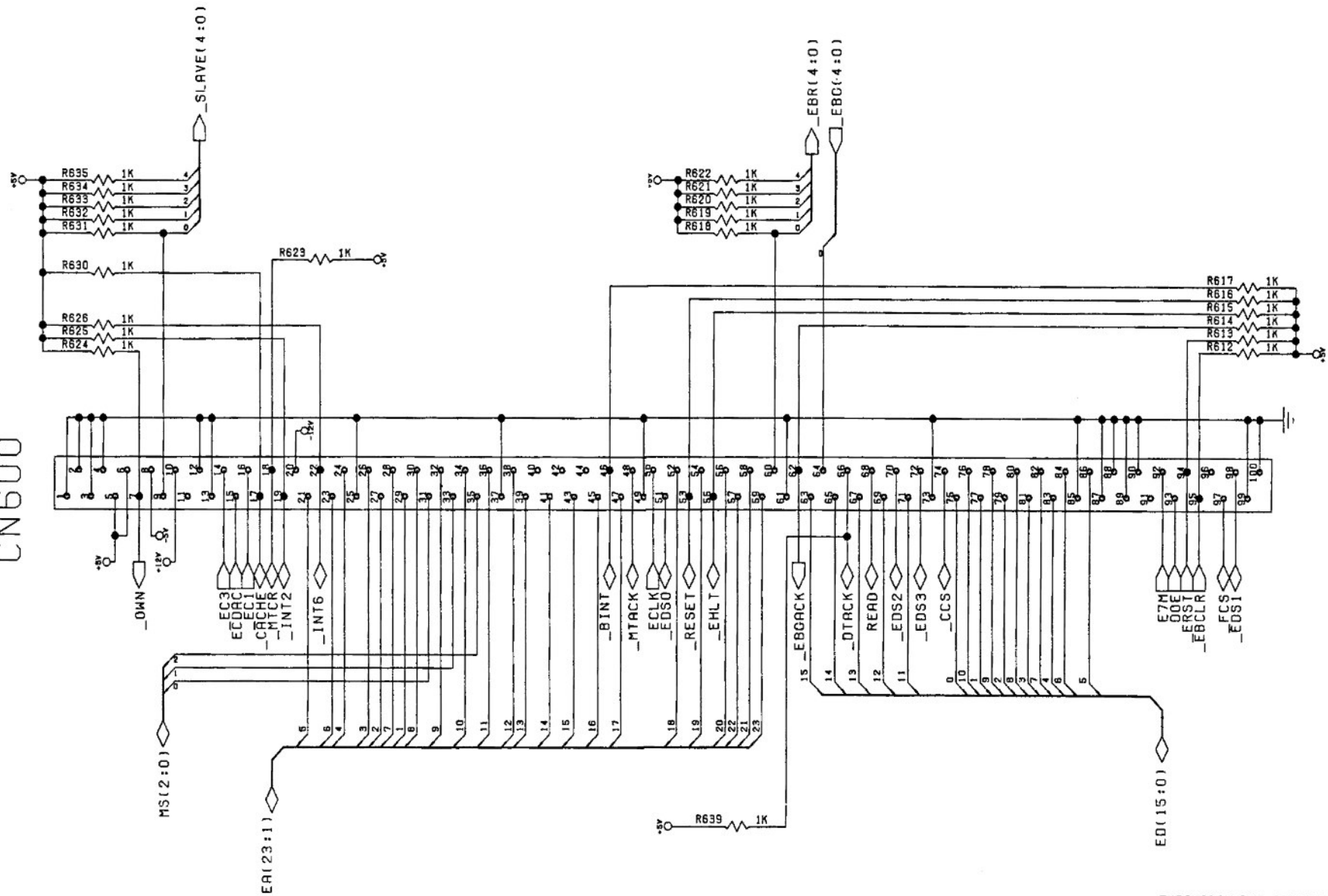
300-349





© 1992 COMMODORE-AMIGA, INC. INFORMATION CONTAINED HEREIN IS THE UNPUBLISHED, CONFIDENTIAL AND TRADE SECRET PROPERTY OF COMMODORE-AMIGA, INC. ANY USE, REPRODUCTION, OR DISCLOSURE OF THIS INFORMATION WITHOUT THE PRIOR WRITTEN PERMISSION OF COMMODORE IS STRICTLY PROHIBITED.		DRAWN BY: GREG NEALIN CHECKED BY: GREG NEALIN DATE: 1/1/92	AUDIO10 SCHEMATIC A4000
FINISH:	USED ON: NEXT ASSY:	PART: /PROJECT/A4000/PCB_REV1 AUDIO10	SCALE: NONE SHEET 10 OF 17


CN600



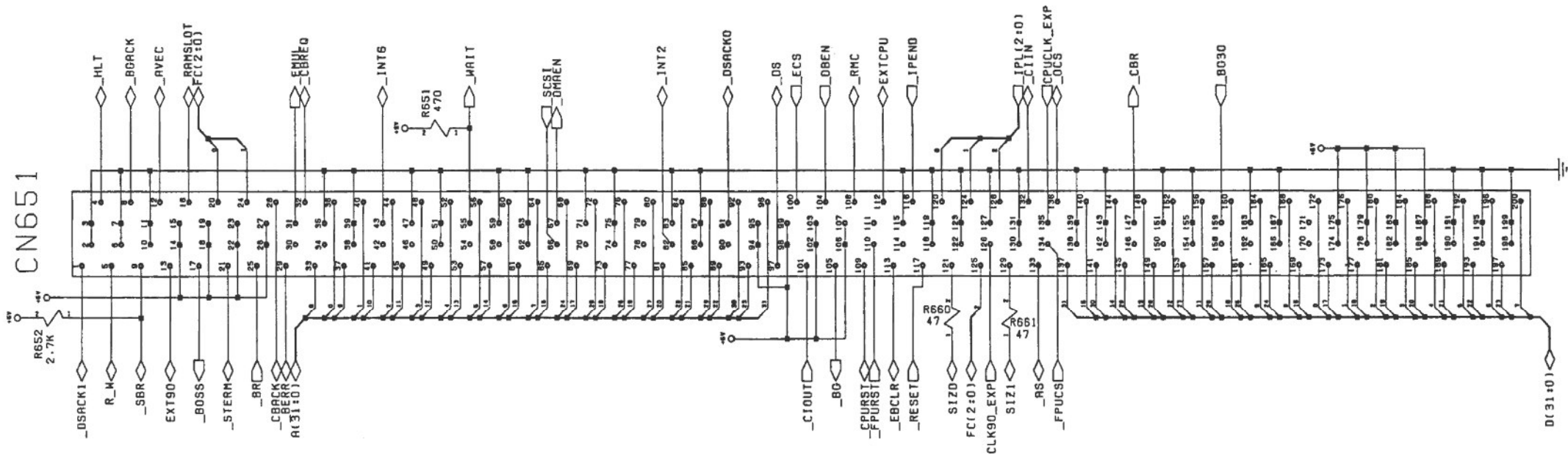
EXPANSION BUS CONNECTOR

© 1990 COMMODORE BUSINESS MACHINES
 INFORMATION CONTAINED HEREIN IS THE UNPUBLISHED,
 CONFIDENTIAL AND TRADE SECRET PROPERTY OF
 COMMODORE BUSINESS MACHINES, INC. ANY USE,
 REPRODUCTION OR DISCLOSURE OF THIS INFORMATION
 WITHOUT THE PRIOR WRITTEN PERMISSION OF
 COMMODORE IS STRICTLY PROHIBITED.

C.A.D. GENERATED
 NO MANUAL CHANGES MAY BE MADE TO THIS DOCUMENT

	DRAWN BY: ORCO DEKLIN CHKD: SCD PPR:	DATE: 5/30/92 REV: B	COMMODORE SCHEMATIC A4000
	USED ON: A4000 NEXT ASSY:	SIZE: C SCALE: NONE	REV: B SHEET 12 OF 17
	PART: /PROJECT/A4000/PCB_REV1 100PIN		

AMIGA 32 BIT LOCAL SLOT



LOCAL BUS / COPROCESSOR CONNECTOR

© 1990 COMMODORE BUSINESS MACHINES
 INFORMATION CONTAINED HEREIN IS THE UNPUBLISHED,
 CONFIDENTIAL AND TRADE SECRET PROPERTY OF
 COMMODORE BUSINESS MACHINES, INC. ANY USE,
 REPRODUCTION OR DISCLOSURE OF THIS INFORMATION
 WITHOUT THE PRIOR WRITTEN PERMISSION OF
 COMMODORE IS STRICTLY PROHIBITED.

	DRAWN BY: SAED BERLIN DATE: 12/19/89	COMMODORE
	CHECKED BY: [] ENGINEER: [] APPROVED BY: []	SCHEMATIC A4000
PART NO: A4000	NEXT REV: []	FILE: C364836 SCALE: NONE SHEET: 13 OF 17

C.A.D. GENERATED
 NO MANUAL CHANGES MAY BE MADE TO THIS DOCUMENT

PATH: \\PROJECT\AMIGOS\PCV_MVY COPROCESSOR

