

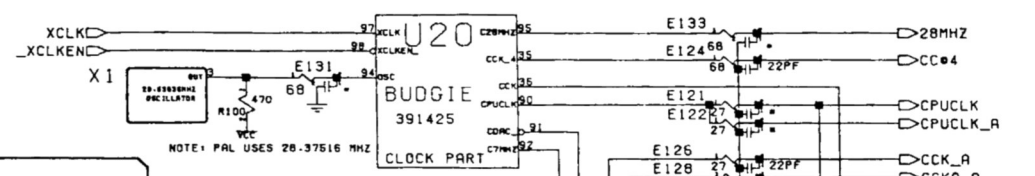
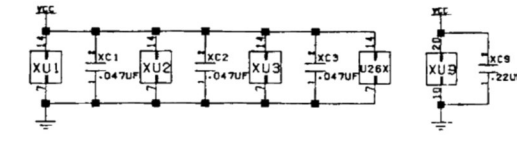


# CHANNEL Z 10/10/92

D(31:0)  
A(23:0)  
FC(2:0)

\_CDIS  
\_BOSS  
\_BR  
\_BG  
\_IPL(2:0)  
CPUCLK  
\_AVEC  
\_BEER  
\_DSACK\_0  
\_DSACK\_1  
\_RMC  
\_R\_W  
\_AS  
\_DS  
SIZE\_0  
SIZE\_1  
\_RST  
\_HLT

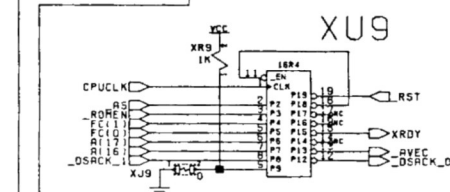
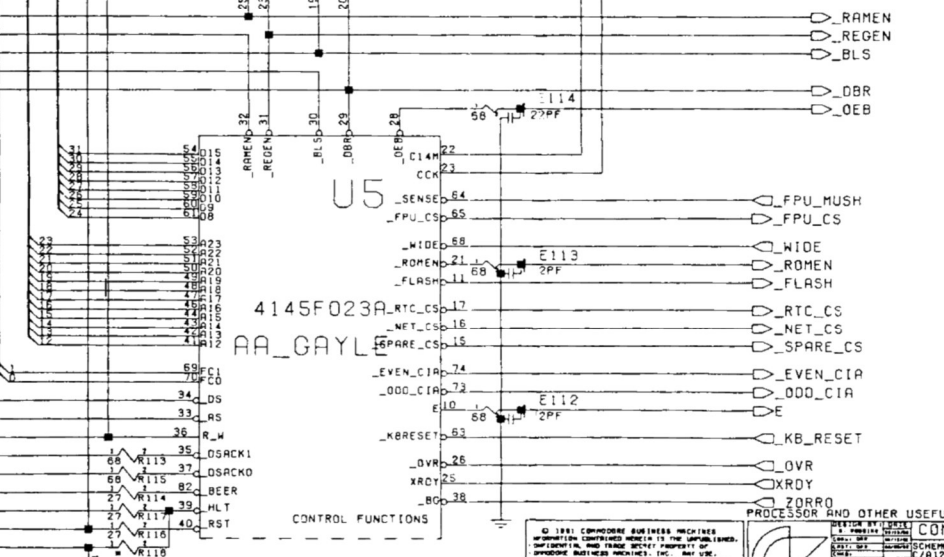
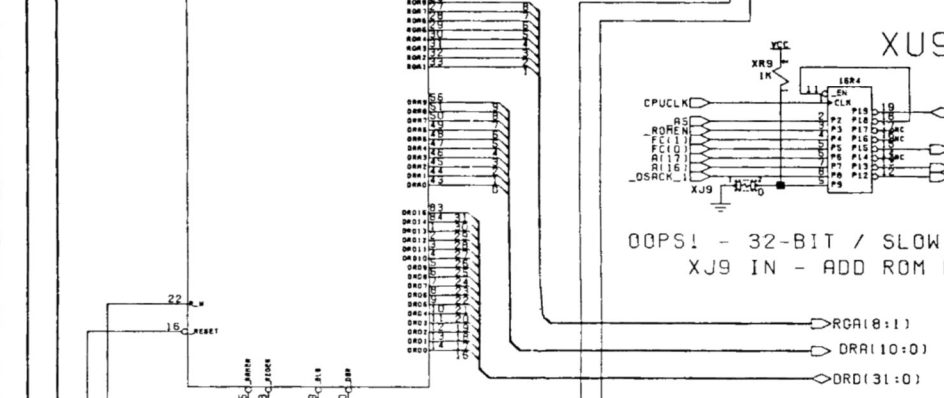
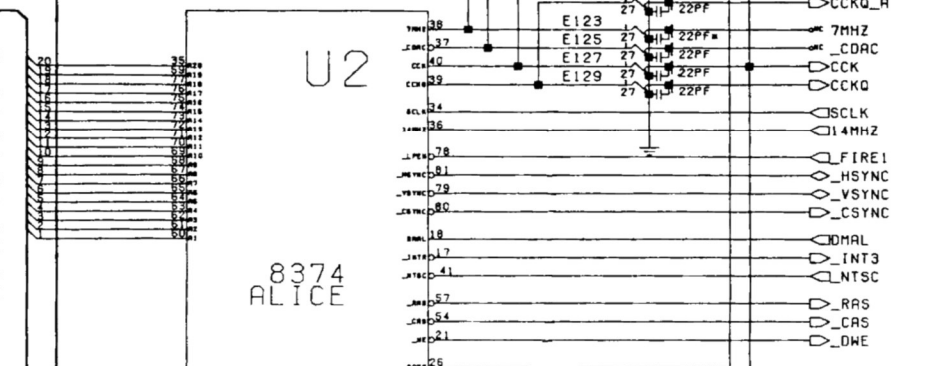
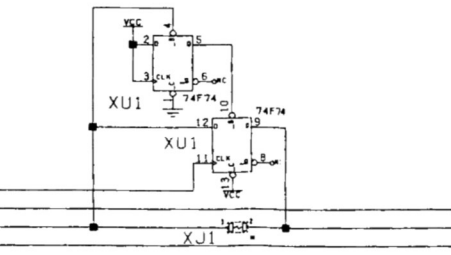
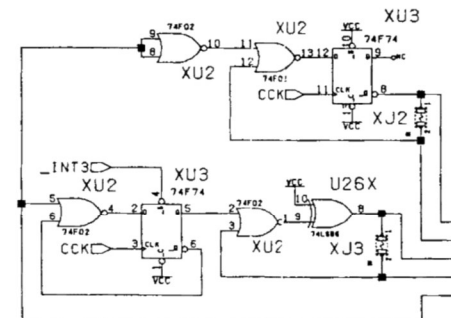
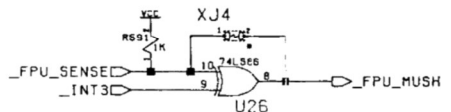
\_FPU\_SENSE  
\_FPU\_CS  
\_DSACK\_0  
\_DSACK\_1  
\_R\_W  
\_AS  
\_DS  
\_RESET  
\_CLK



**OOPS!**

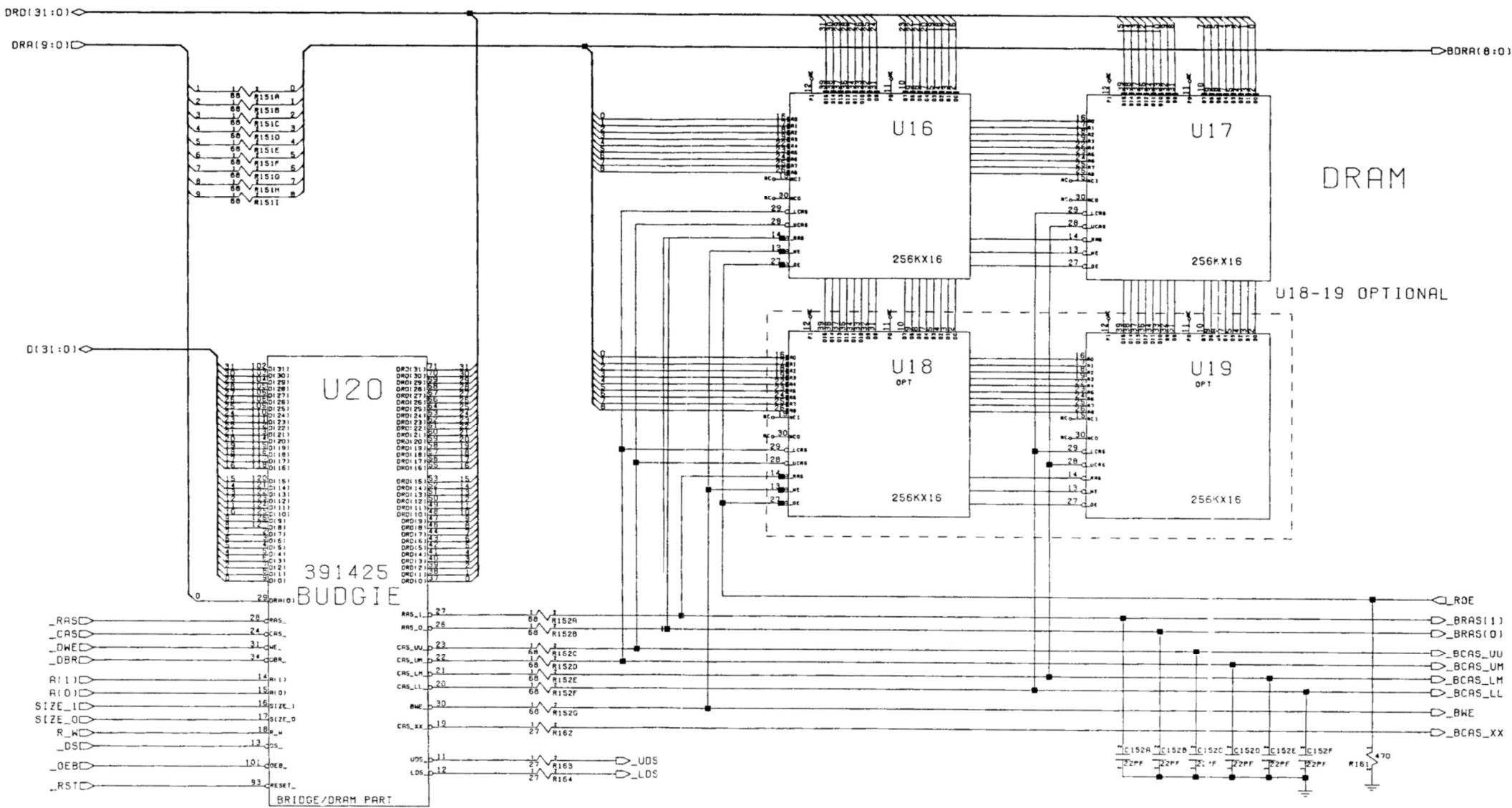
ALL THIS STUFF SERVES TO CORRECT ONE MINOR GAYLE BUG AND A NUMBER OF ALICE DEFICIENCIES NOT YET CORRECTED. ASSUMING THE CHANGES ARE IMPLEMENTED IN THE PRODUCTION GAULE CHIP, THEN ALL THIS SILLYNESS IS BEST ERASED...

REFERENCE	OLD GAYLE	NEW GAYLE
XU1	74F74	NONE
XU2	74F02	NONE
XU3	74F74	NONE
U26X	74F86	NONE
XJ4	0 OHM	OUT
XJ1	OUT	0 OHM
XJ2	OUT	0 OHM
XJ3	OUT	0 OHM
U26	NOTE	74LS86

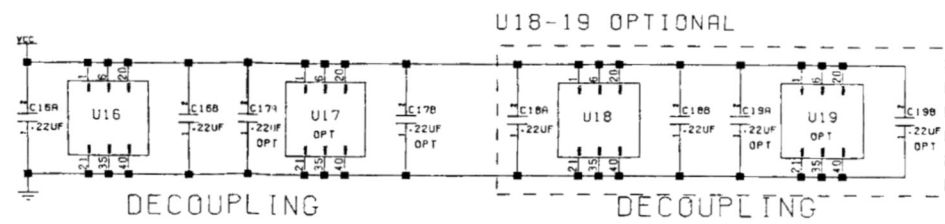


OOPS! - 32-BIT / SLOW ROM  
XJ9 IN - ADD ROM WAIT

CONTROL FUNCTIONS  
R594



A1200 REV 1->1D PCB



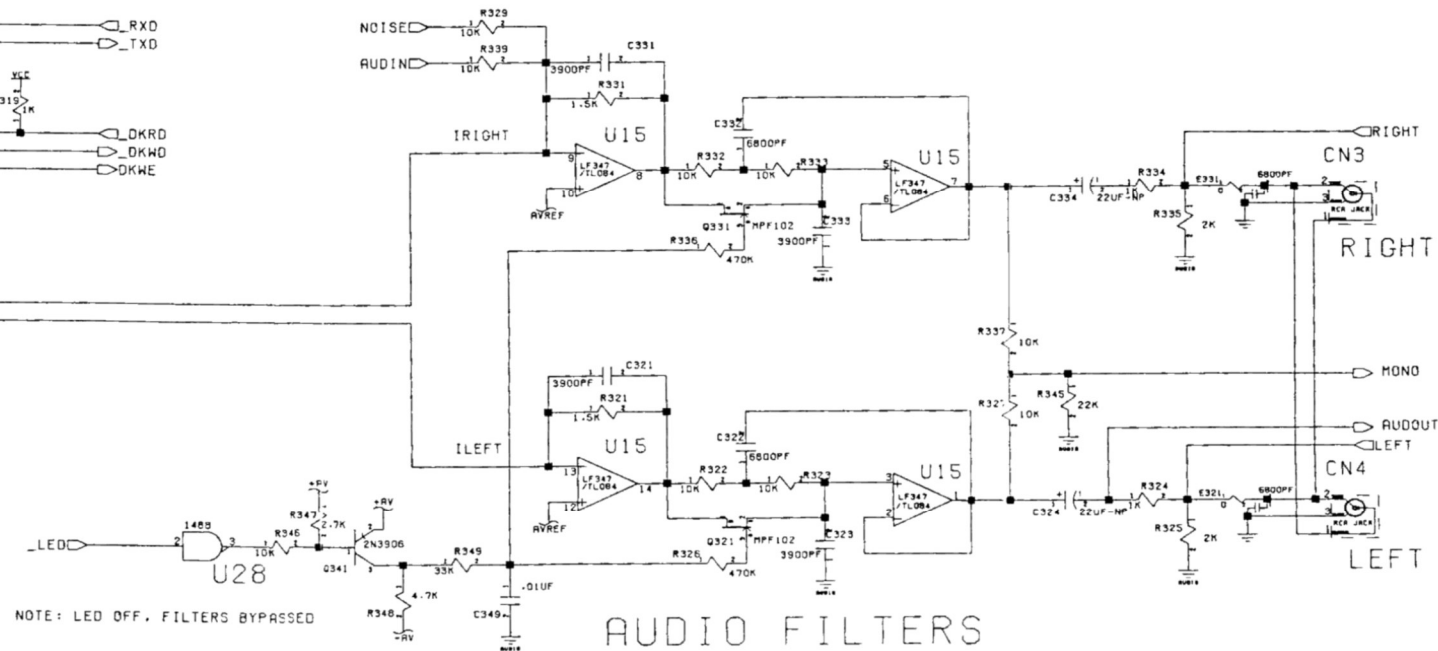
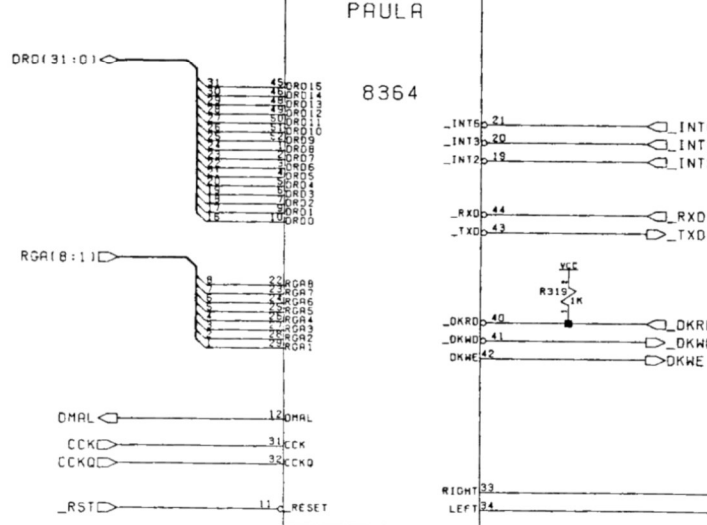
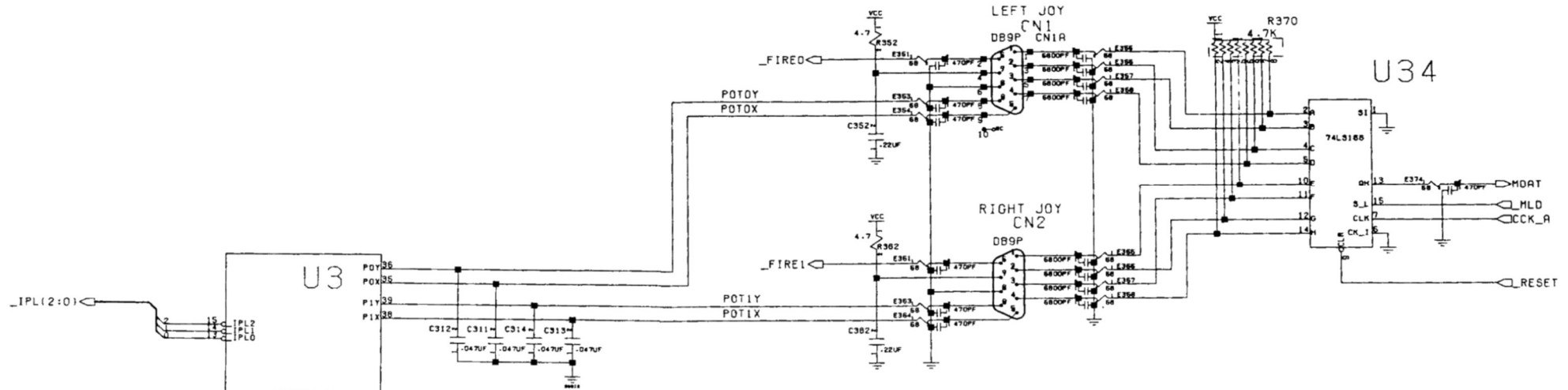
MEMORY AND... WELL, I USED TO REMEMBER

© 1991 COMMODORE BUSINESS MACHINES  
 INFORMATION CONTAINED HEREIN IS THE UNPUBLISHED  
 CONFIDENTIAL AND TRADE SECRET PROPERTY OF  
 COMMODORE BUSINESS MACHINES, INC. ANY USE,  
 REPRODUCTION OR DISCLOSURE OF THIS INFORMATION  
 WITHOUT THE WRITTEN PERMISSION OF  
 COMMODORE IS STRICTLY PROHIBITED.

TESTER: BT/ST/SL  
 DATE: 11/11/91  
 SHEET: 3 OF 13  
 SCALE: 1:1  
 PART: 364717  
 C.A.D. GENERATED  
 NO MANUAL CHANGES HAVE BEEN MADE TO THIS DOCUMENT



# MOUSE/JOYSTICK PORTS

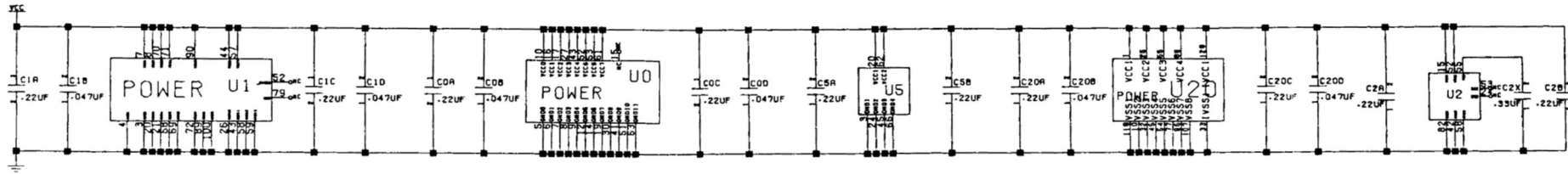


A1200 REV 1->1D PCB

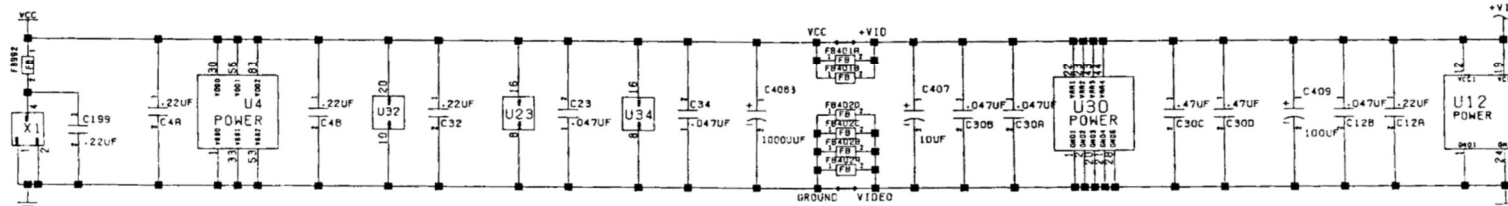
PAULA PREFERS THE TRADITIONAL MODES

© 1981 COMMODORE BUSINESS MACHINES	REVISION 1	COMMODORE
ALL RIGHTS RESERVED	DATE: 11/81	SCHEMATIC BOARD #10
CONFIDENTIAL AND TRADE SECRET PROPERTY OF COMMODORE BUSINESS MACHINES - NO USE, REPRODUCTION OR DISSEMINATION OF THIS INFORMATION WITHOUT THE WRITTEN PERMISSION OF COMMODORE IS EXPRESSLY PROHIBITED.	DESIGNED BY: J. B. BENT	CHANNEL 7
C.R.G. GENERATED	SCALE: 1:1	SHEET 5 OF 13

# GENERAL DECOUPLING

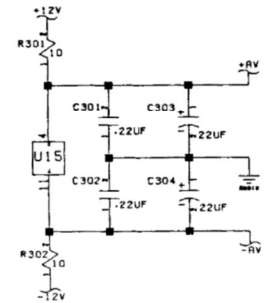


# VIDEO DECOUPLING

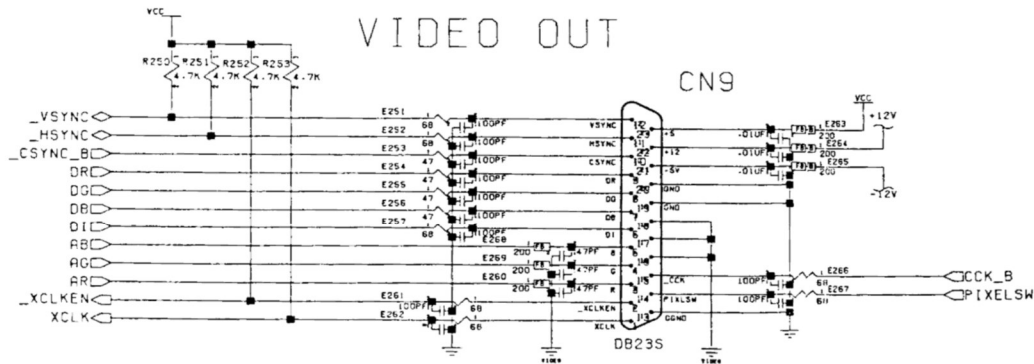


NOTE: AS OF REV 1C, LOGIC AND VIDEO GROUND AND POWER ARE THE SAME NET, BUT REQ'D DISCRETELY EXCEPT AT DAC1  
ALSO ADDED C30C AND C30D FOR OVERKILL DAC DECOUPLING.

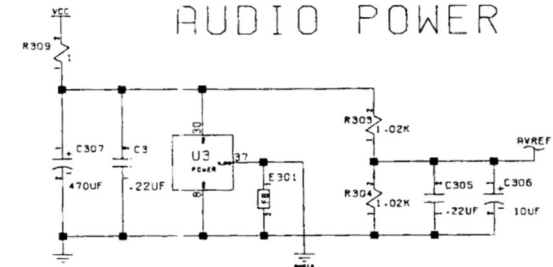
# AUDIO DECOUPLING



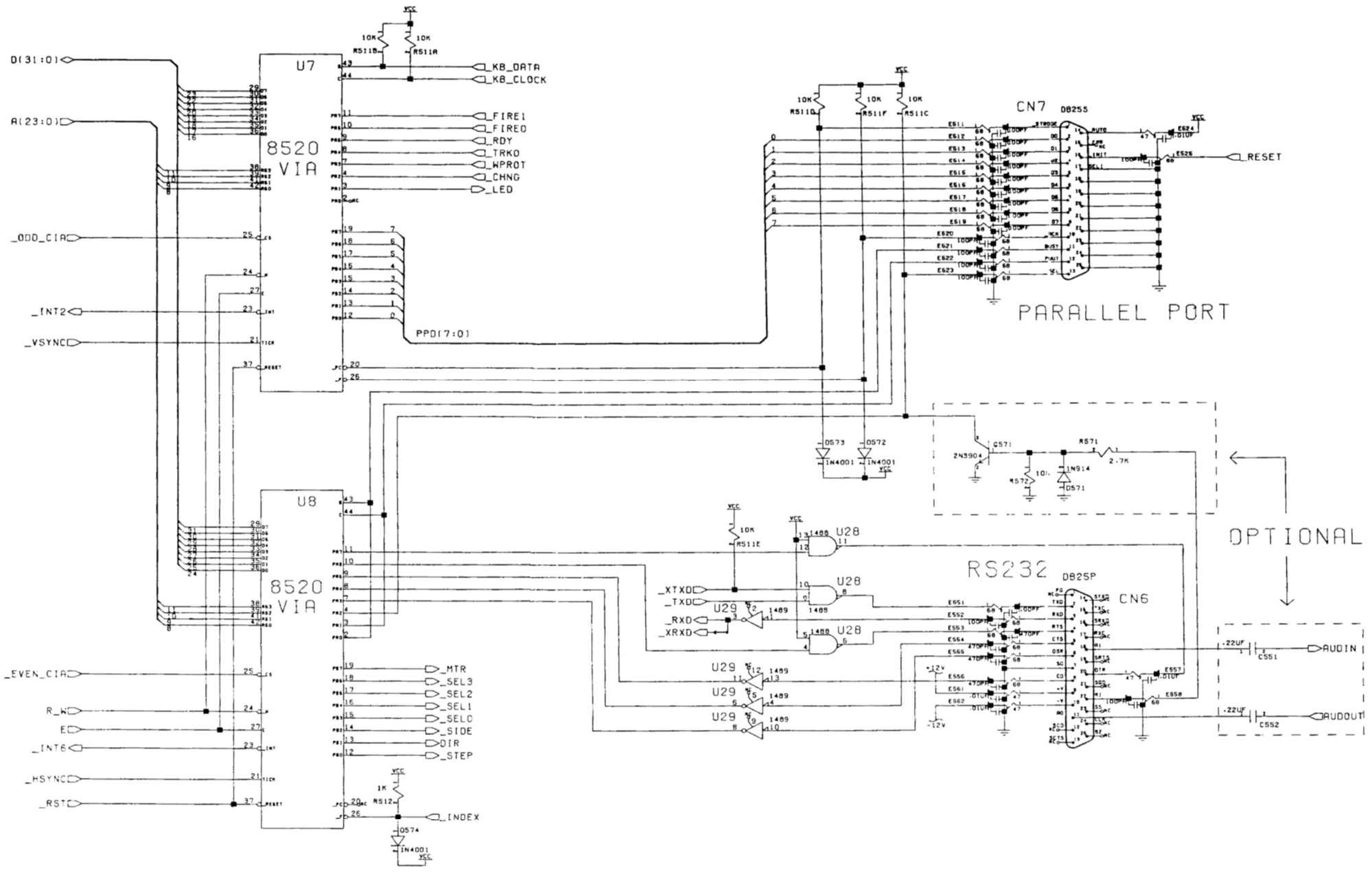
# VIDEO OUT



# AUDIO POWER

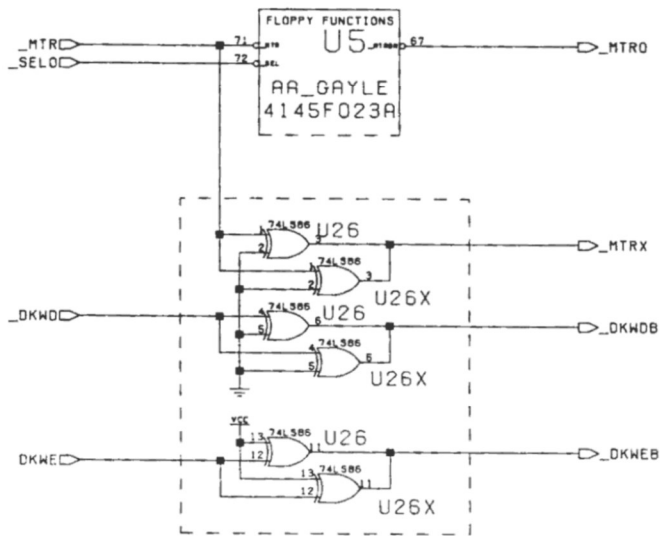


NOTE: GROUND INTERCONNECTION NEAR AUDIO JACKS.



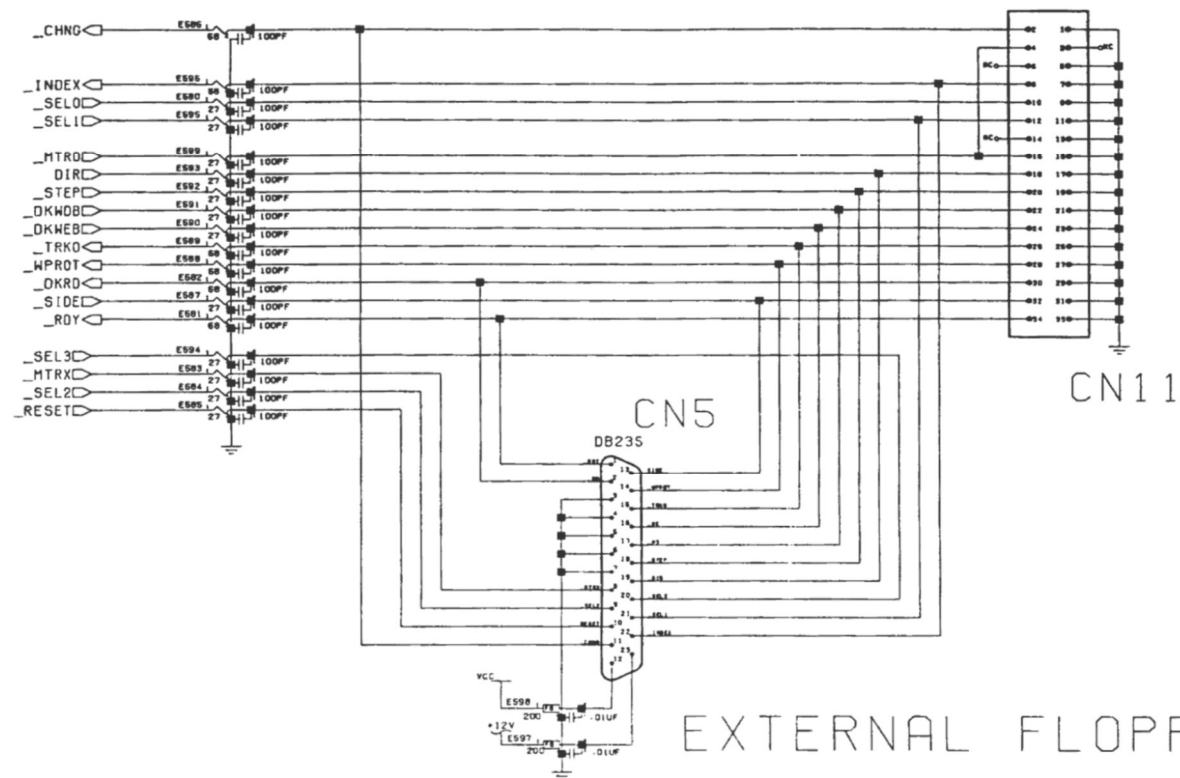
A1200 REV 1->1D PCB

# FLOPPY LOGIC



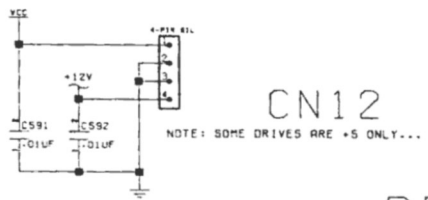
SEE OOPS ON PAGE 2...  
U26 AND U26X MAY OVERLAP!

# INTERNAL FLOPPY

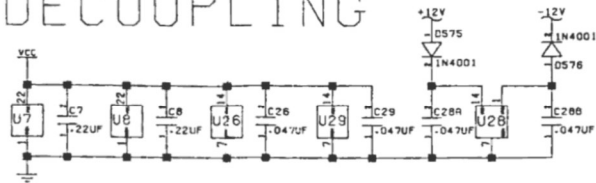


# EXTERNAL FLOPPY

# FLOPPY POWER



# DECOUPLING



A1200 REV 1->1D PCB

© 1981 COMMODORE BUSINESS MACHINES  
 IS A REGISTERED TRADEMARK OF COMMODORE INTERNATIONAL, INC.  
 COMMODORE INTERNATIONAL, INC. IS A REGISTERED SERVICE MARK OF COMMODORE INTERNATIONAL, INC.  
 ALL RIGHTS RESERVED. COMMODORE INTERNATIONAL, INC. IS NOT RESPONSIBLE FOR THE CONTENTS OF THIS DOCUMENT.  
 COMMODORE INTERNATIONAL, INC. IS NOT RESPONSIBLE FOR THE CONTENTS OF THIS DOCUMENT.

THE REST OF THE FLOPPY STUFF

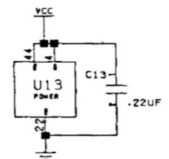
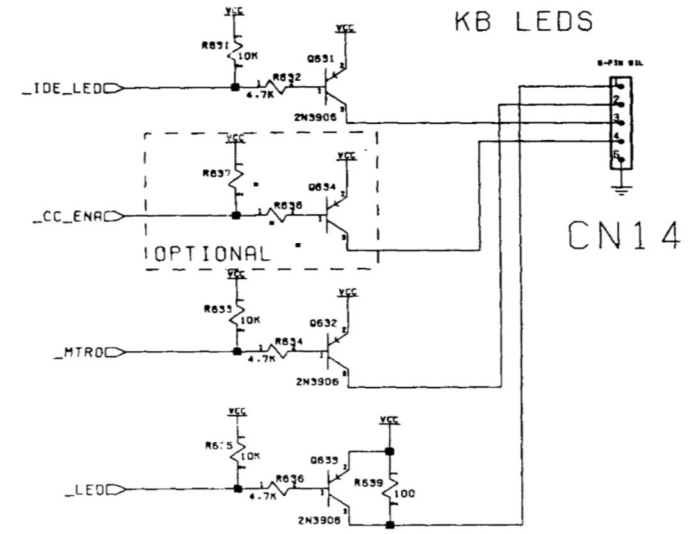
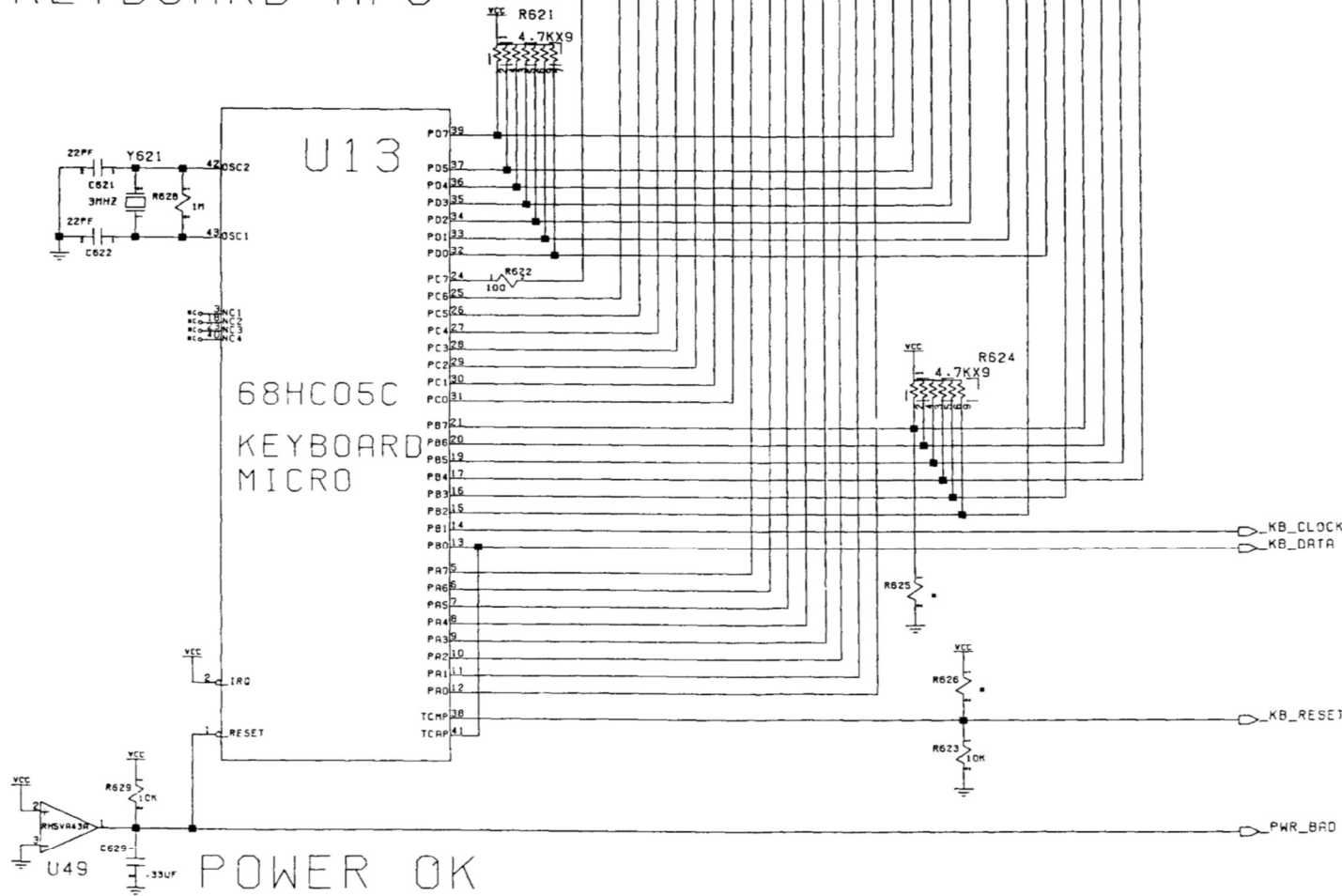
COMMODORE  
 COMMODORE INTERNATIONAL, INC.  
 15455 SHAW BLVD.  
 FORT COLLINS, CO 80526  
 U.S.A.

3647178  
 CHANNEL 2  
 SHEET 8 OF 13



# KEYBOARD TAIL CN13

## KEYBOARD MPU



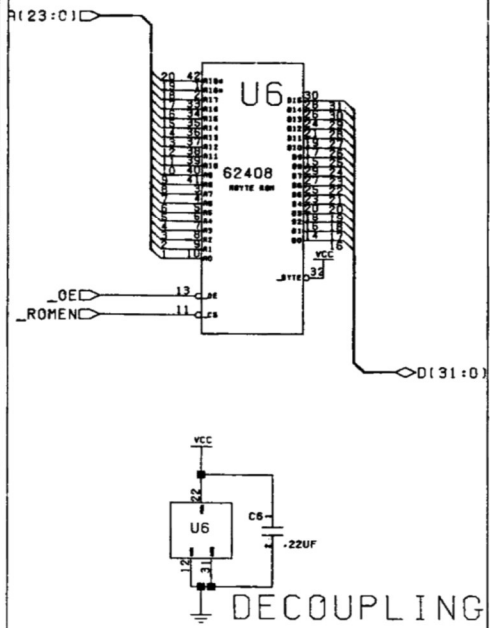
A1200 REV 1->1D PCB

THE NEW HOME OF THE KEYBOARD VIRUS

© 1991 COMMODORE BUSINESS MACHINES IMAGINATION CONTAINED HEREIN IS THE UNPUBLISHED CONFIDENTIAL AND TRADE SECRET PROPERTY OF COMMODORE BUSINESS MACHINES, INC. ANY USE, REPRODUCTION OR DISSEMINATION OF THIS INFORMATION WITHOUT THE WRITTEN PERMISSION OF COMMODORE IS STRICTLY PROHIBITED.	DESIGN BY: WELLS DATE: 08/22/91 C/R1200 MAIN BOARD CHANNEL 2 DATE: 08/22/91 C/1364717 SCALE: SHEET 6 OF 13
---	--

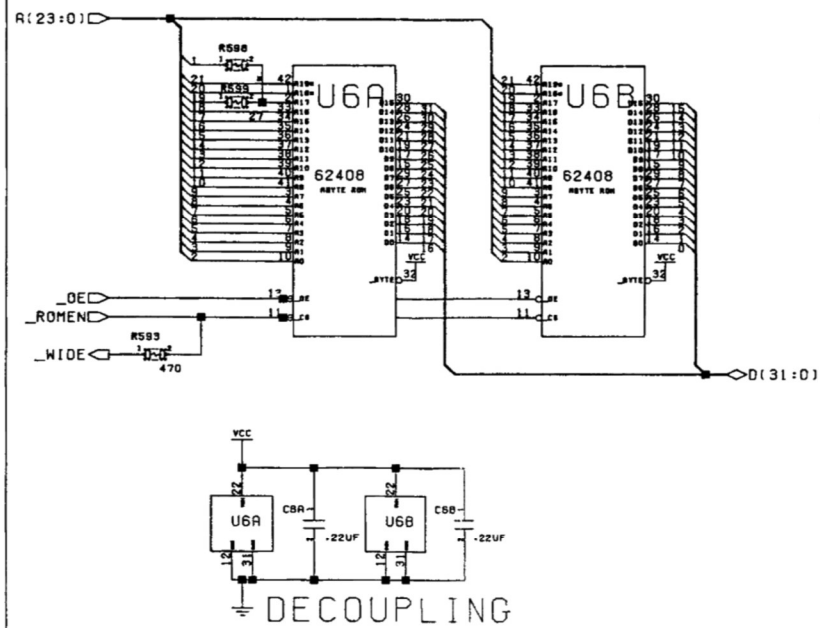
C.A.D. GENERATED  
NO MANUAL CHANGES MAY BE MADE TO THIS DOCUMENT

### 16-BIT ROM



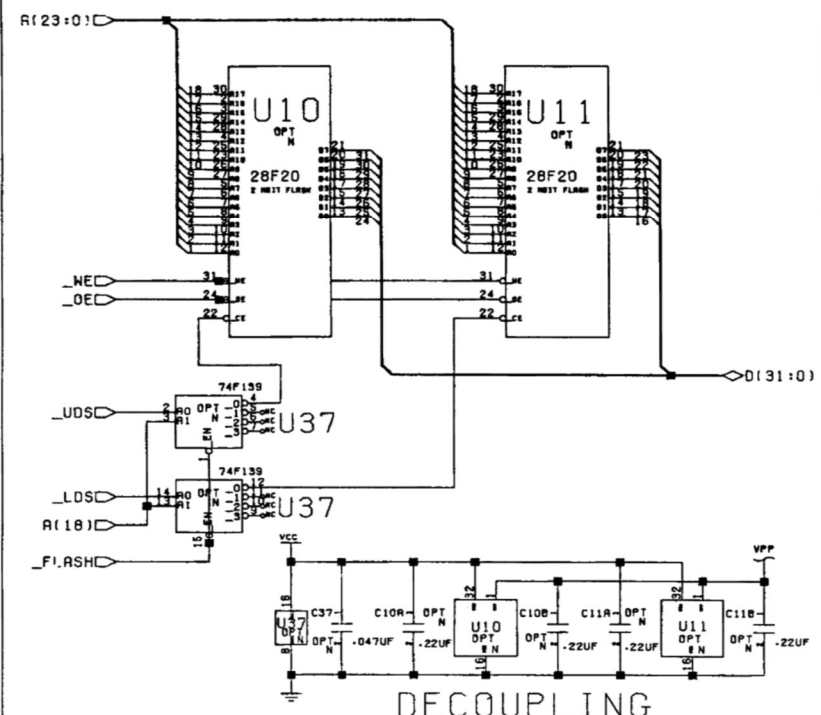
IF ROM16="YES"

### 32-BIT ROM



IF ROM32="YES"

### FLASH MEMORY

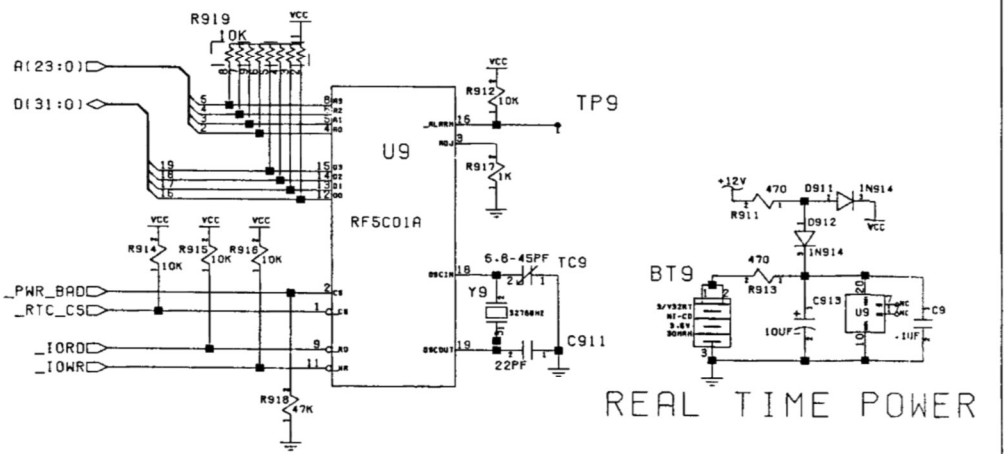


IF FLASH="YES"

16 AND 32-BIT SOCKETS MAY OVERLAP!

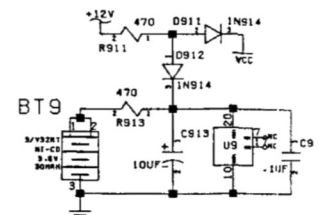
### OPTIONAL FLASH MEMORY

### REAL TIME CLOCK

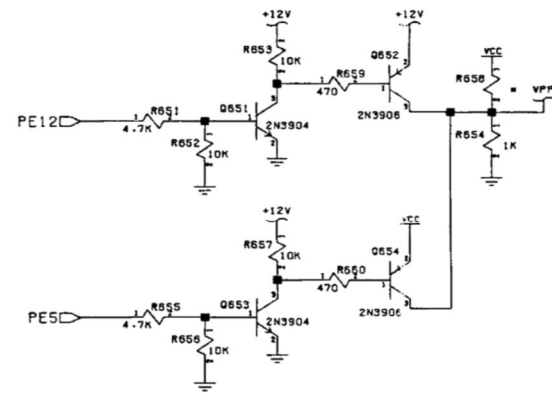


IF RTC="YES"

### REAL TIME POWER



### PROGRAMMING VOLTAGE

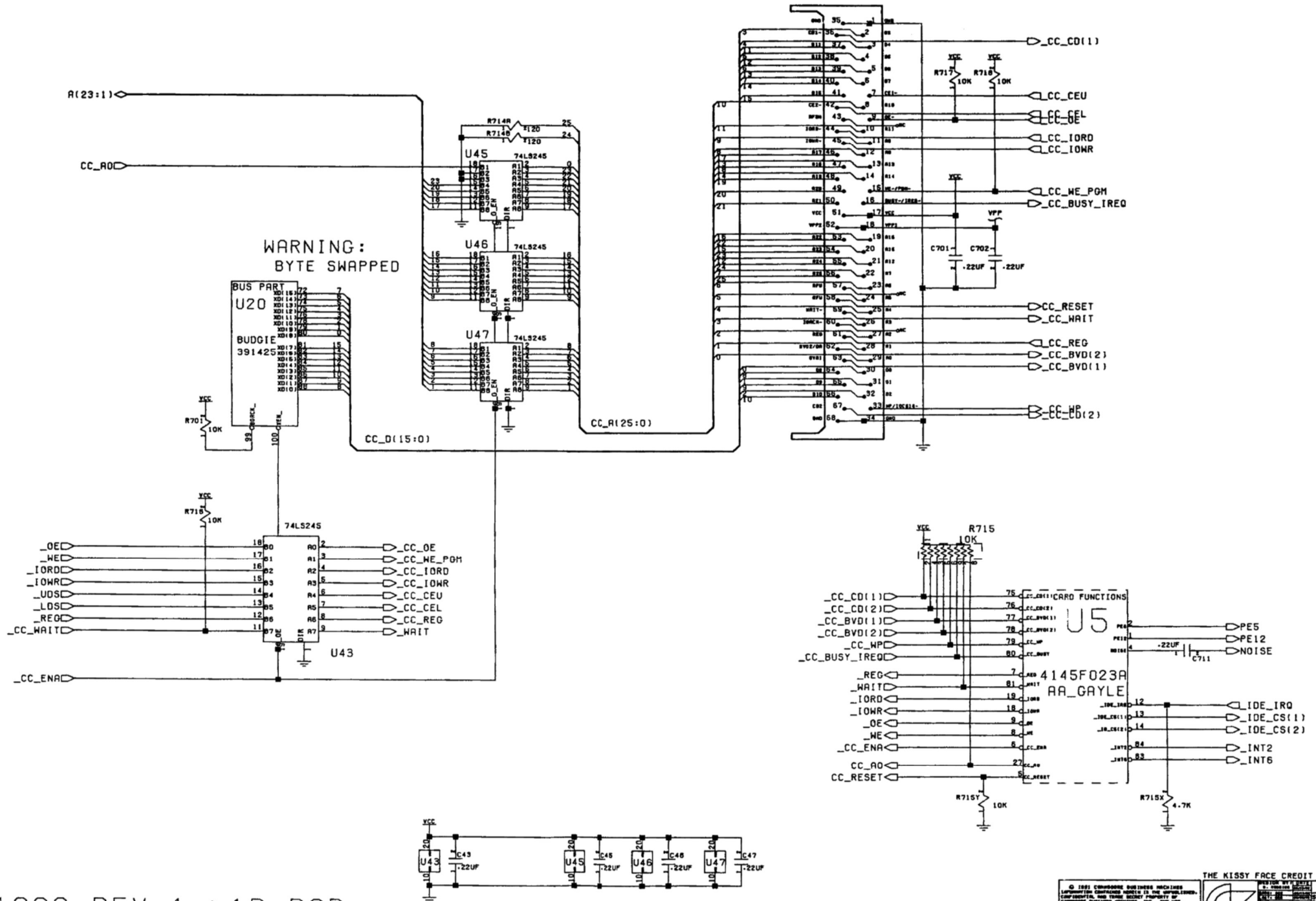


### OPTIONAL REAL-TIME CLOCK/CALENDAR

A1200 REV 1->1D PCB

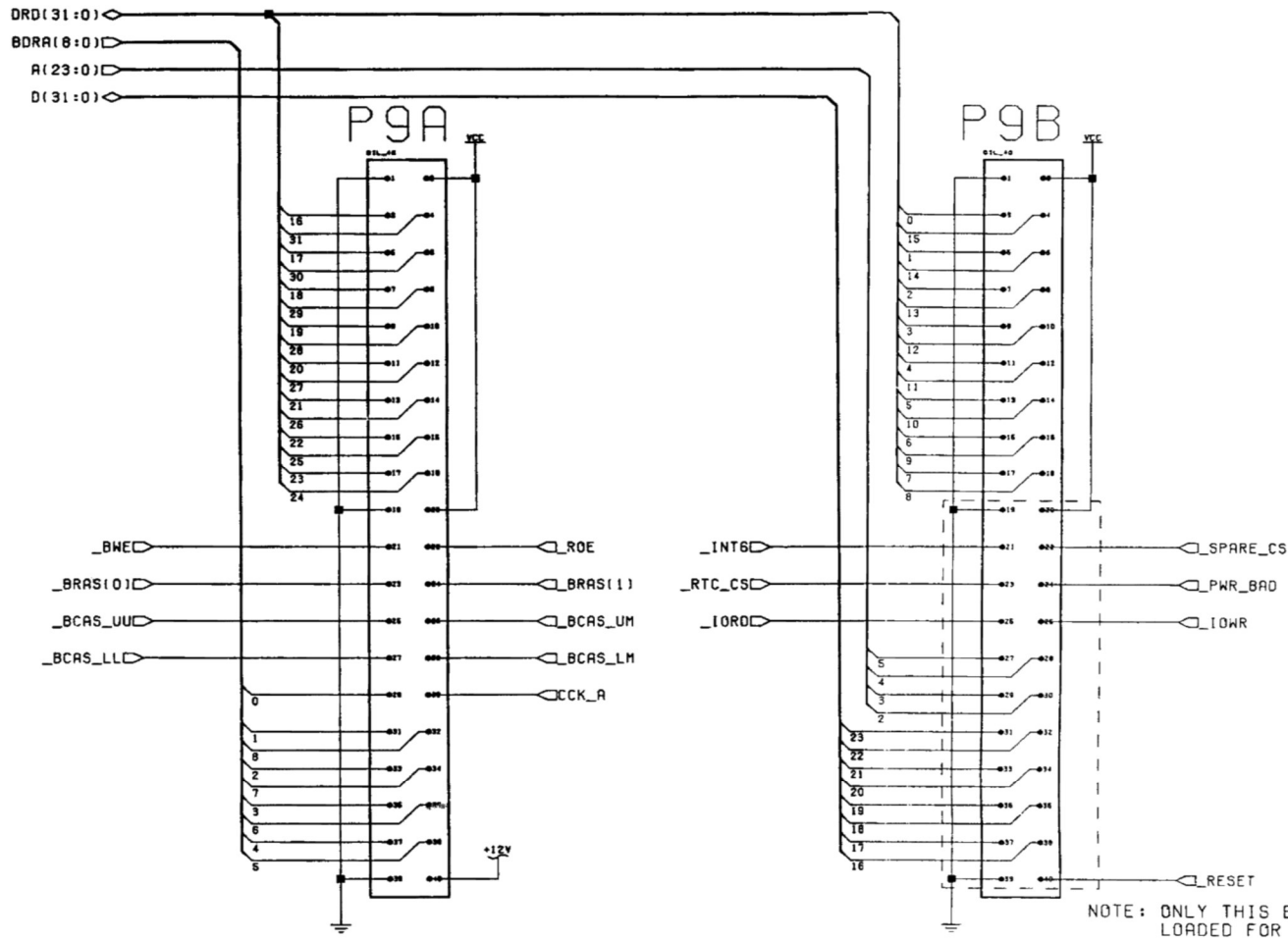
MEMORY CARD

CN15



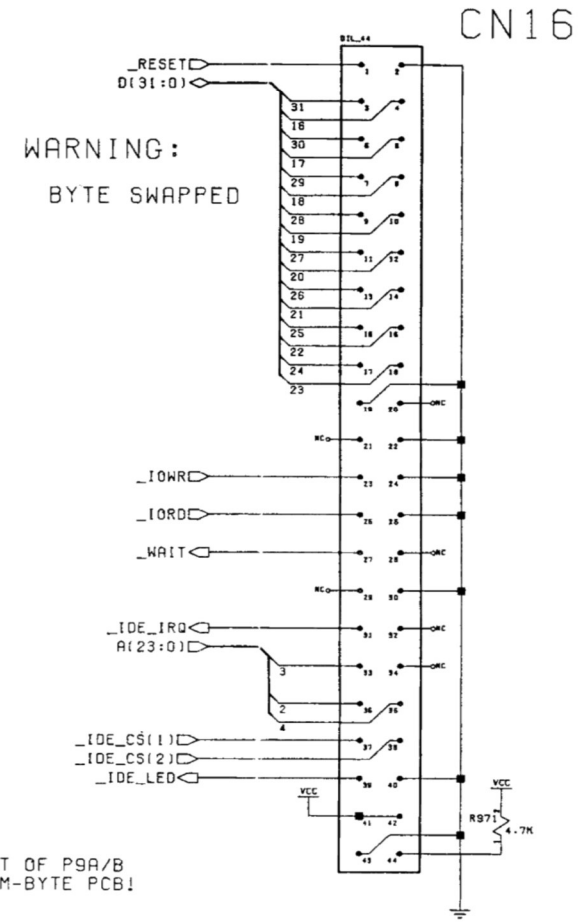
A1200 REV 1->1D PCB

# MEMORY EXPANSION

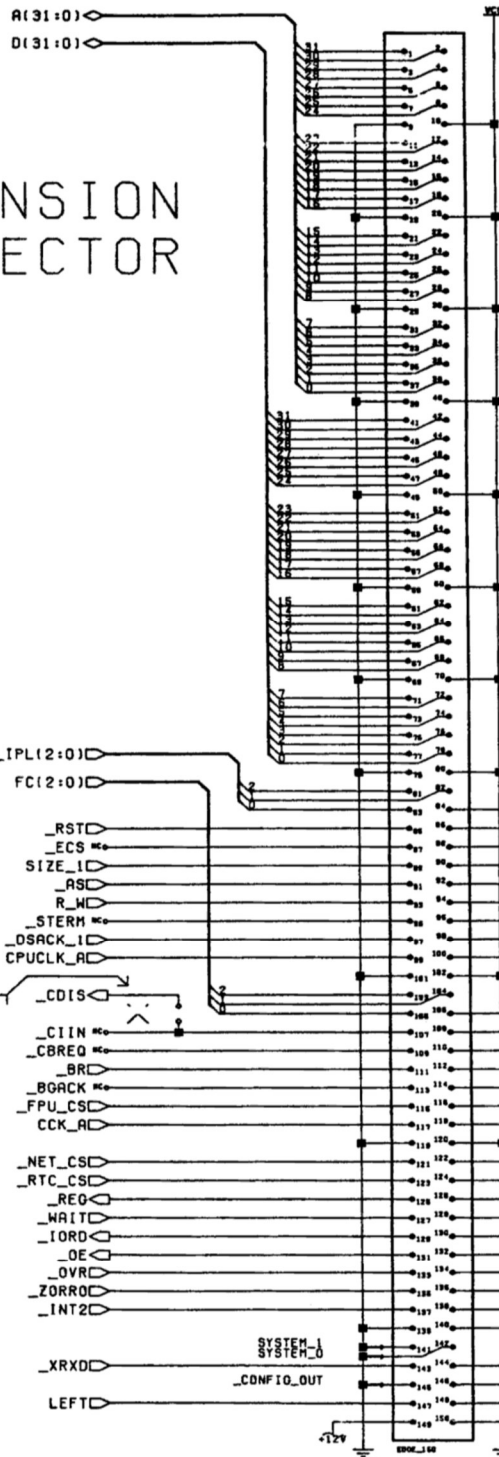


NOTE: ONLY THIS BIT OF P9A/B  
LOADED FOR 2M-BYTE PCB!

# IDE DRIVE

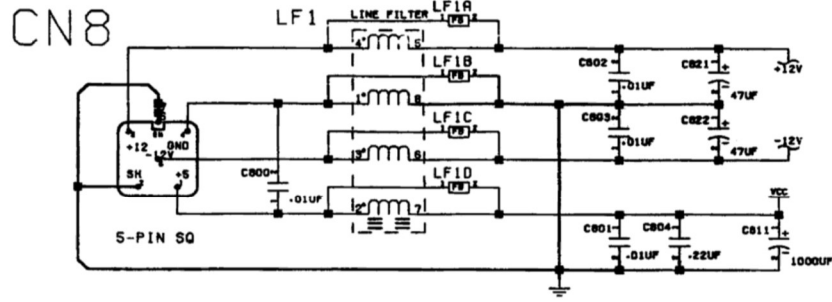


# EXPANSION CONNECTOR



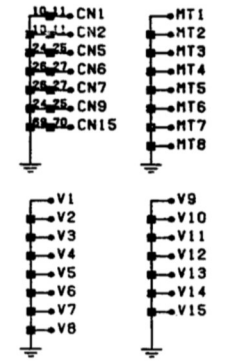
P1

# POWER INPUT

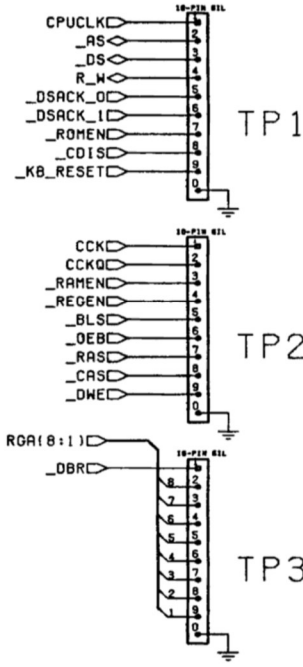


NOTE: HEAVY LINES INDICATE A SINGLE POINT CONNECTION

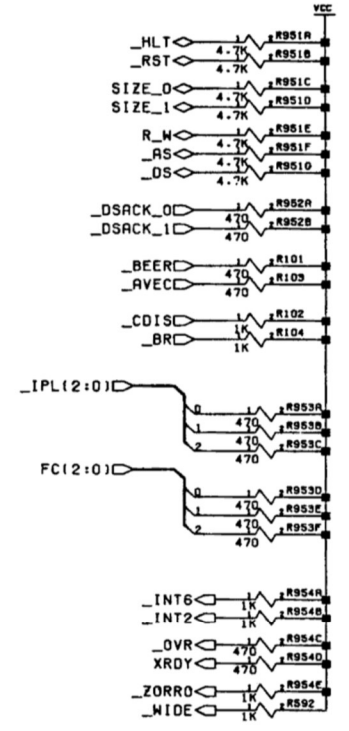
# HOLES & C.



# TEST ACCESS



# TERMINATION



[DELETED RIB PCB]

A1200 REV 1->1D PCB

### SYSTEM CONFIGURATION BITS

SYSTEM	1	0	CPU/CPUCLK
	0	0	ECO20/14MHZ
	0	1	O20/14MHZ
	1	0	O30/14MHZ
	1	1	O30/>14MHZ

© 1993 COMMODORE BUSINESS MACHINES  
 CONFIDENTIAL AND TRADE SECRET PROPERTY OF COMMODORE BUSINESS MACHINES, INC. THE USE, REPRODUCTION OR DISSEMINATION OF THIS INFORMATION WITHOUT THE WRITTEN PERMISSION OF COMMODORE IS STRICTLY PROHIBITED.

POWER DISTRIBUTION AND DECOUPLING

COMMODORE  
 CHEMICAL ABEND RIB  
 2-01200 MAIN BOARD  
 CHANNEL 2

C.A.D. GENERATED  
 364717

# Gayle

```

                                     / /
                                     D D
                                     S S
                                     A A
    G / / A A
A A A A A A A N A A A A R H / C R C / /
2 2 2 2 1 1 1 1 D 1 1 1 1 S L B K / K D A
3 2 1 0 9 8 7 6 3 5 4 3 2 T T G O W I S S

```

	53	52	51	50	49	48	47	46	45	44	43	42	41	40	39	38	37	36	35	34	33			
D15	54																					32	/RAMEN	
D14	55																						31	/REGEN
D13	56																						30	/BLS
D12	57																						29	/DBR
D11	58																						28	/OEB
D10	59																						27	CC_A0
D9	60																						26	/OVR
D8	61																						25	XRDY
VCC2	62																						24	GND2
/KBRESET	63																						23	CCK
/SENSE	64																						22	C14M
/FPU_CS	65																						21	/ROMEN
GND4	66																						20	VCC1
/MTRON	67																						19	/IORD
/WIDE	68																						18	/IOWR
FC1	69																						17	/RTC_CS
FC0	70																						16	/NET_CS
/MTR	71																						15	/SPARE_CS
/SEL	72																						14	/IDE_CS(2)
/ODD_CIA	73																						13	/IDE_CS(1)
/EVEN_CIA	74																						12	/IDE_IRQ
		75	76	77	78	79	80	81	82	83	84	1	2	3	4	5	6	7	8	9	10	11		

```

/ / / / / / / / / P P G N C / / / / E /
C C C C C C W B I I E E N O C C R W O F
C C C C C C A E N N 1 5 D I _ C E E E L
- - - - - I R T T 2 1 S R _ G A
C C B B W B T R 6 2 E E E S
D D V V P U S N H
1 2 D D S E A
1 2 Y T

```

# Alice

```

      / / /
V D D D D D D D D D G N C 7 C 4 S R
N C R R R R R R R R R R N T C C M D M A C G
C C A A A A A A A A D S C K H A H 2 L A
1 2 8 7 6 5 4 3 2 1 0 2 C K Q z C z 0 K 1

```

	53	52	51	50	49	48	47	46	45	44	43	42	41	40	39	38	37	36	35	34	33			
/CAS	54																					32	RGA2	
VBB	55																						31	RGA3
DRA9	56																						30	RGA4
/RAS	57																						29	RGA5
GND3	58																						28	RGA6
A19	59																						27	RGA7
A1	60																						26	RGA8
A2	61																						25	/RAMEN
A3	62																						24	NC2
A4	63																						23	/REGEN
A5	64																						22	R_W
A6	65										8	3	7	4									21	/WE
A7	66																						20	/DBR
A8	67																						19	/BLS
A9	68																						18	DMAL
A10	69																						17	/INTR
A11	70																						16	/RESET
A12	71																						15	VCC1
A13	72																						14	DRD0
A14	73																						13	DRD1
A15	74																						12	DRD2
	75	76	77	78	79	80	81	82	83	84	1	2	3	4	5	6	7	8	9	10	11			

```

A A A / / / / G D D D D D D D D D D D D D D D
1 1 1 L V C H N R R R R R R R R R R R R R R R
6 7 8 P S S S D D D D D D D D D D D D D D D
      E Y Y Y 1 1 1 1 1 1 1 9 8 7 6 5 4 3
      N N N N 5 4 3 2 1 0
      C C C

```

# Lisa

G C G  
 N 2 N  
 D R R R R R G G G G 8 G G G G B B B B B D  
 3 4 3 2 1 0 7 6 5 4 0 3 2 1 0 7 6 5 4 3 2

	53	52	51	50	49	48	47	46	45	44	43	42	41	40	39	38	37	36	35	34	33			
R5	54																					32	B2	
R6	55																						31	B1
VCC2	56																						30	VCC1
R7	57																						29	B0
/BRST	58																						28	ZD
D31	59																						27	BLANK
D30	60																						26	SOG
D29	61																						25	C28M
D28	62																						24	/RST
D27	63																						23	C140
D26	64																						22	SCLK
D25	65									4	2	0	3										21	/MLD
D24	66																						20	MDAT
D23	67																						19	RGA1
D22	68																						18	RGA2
D21	69																						17	RGA3
D20	70																						16	RGA4
D19	71																						15	RGA5
D18	72																						14	RGA6
D17	73																						13	RGA7
D16	74																						12	RGA8
		75	76	77	78	79	80	81	82	83	84	1	2	3	4	5	6	7	8	9	10	11		

D D D D D D D D V D G D D D D D D / C W  
 1 1 1 1 1 1 9 8 C 7 N 6 5 4 3 2 1 0 C C I  
 5 4 3 2 1 0 C D A K D  
 3 1 S E