



LCD Monitor
Professional Monitor

Video Products Technical Bulletin 30-2015-059

DATE: May 18, 2015

SUBJECT: MANUAL CORRECTION—STAND COVER

MODEL: **LMD-941W**
LMD-941W
PVM-740
PVM-740
PVM-741
PVM-741

SERIAL NO: ALL

Italicized information in green applies to customers outside the United States.

DESCRIPTION

Correct the manuals as shown in Figure 1 through Figure 3.

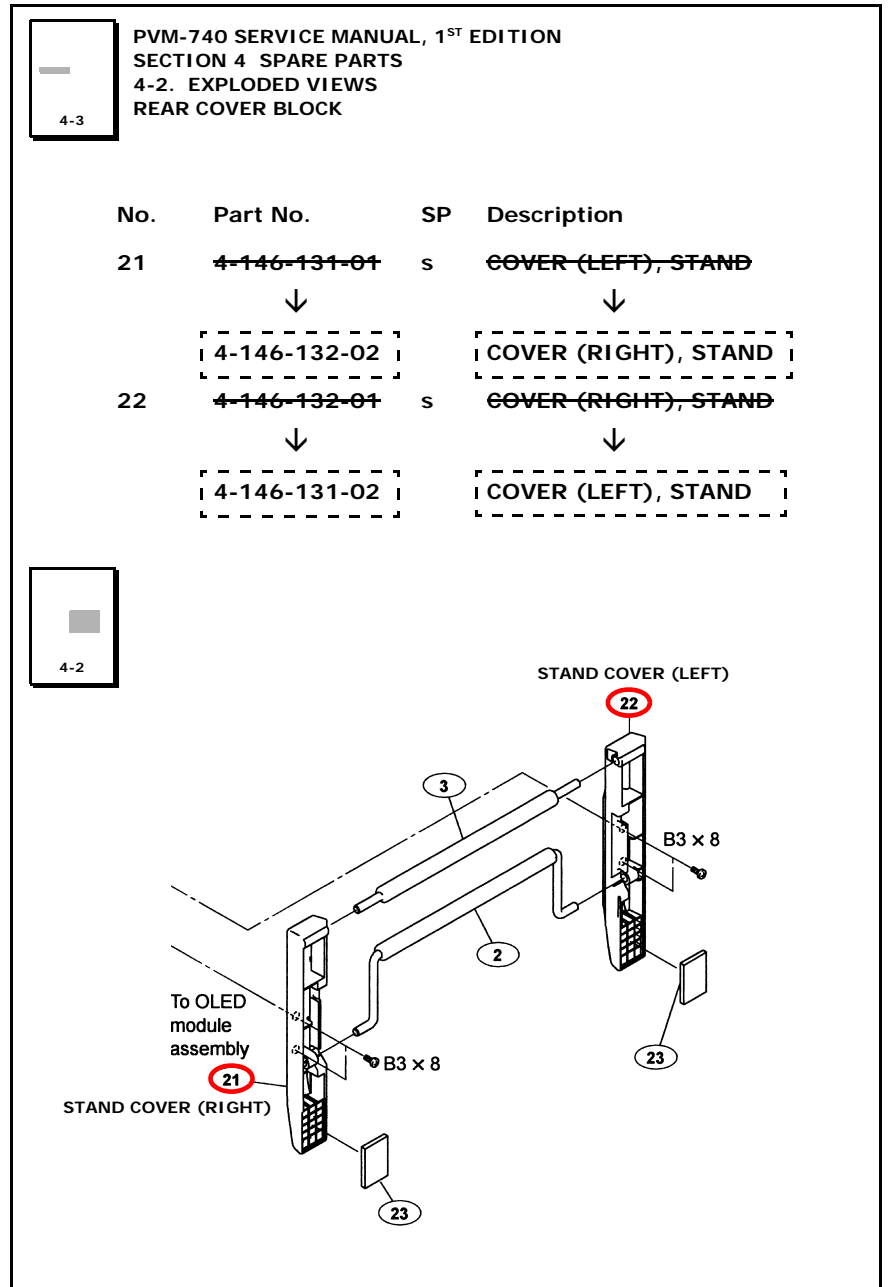


Figure 1

DPMO15-002

4-3

PVM-741 SERVICE MANUAL, 1ST EDITION
 SECTION 4 SPARE PARTS
 4-2. EXPLODED VIEWS
 REAR COVER BLOCK

No.	Part No.	SP	Description
20	4-146-131-01	s	COVER (LEFT), STAND
	↓		↓
	4-146-132-02		COVER (RIGHT), STAND
21	4-146-132-01	s	COVER (RIGHT), STAND
	↓		↓
	4-146-131-02		COVER (LEFT), STAND

4-2

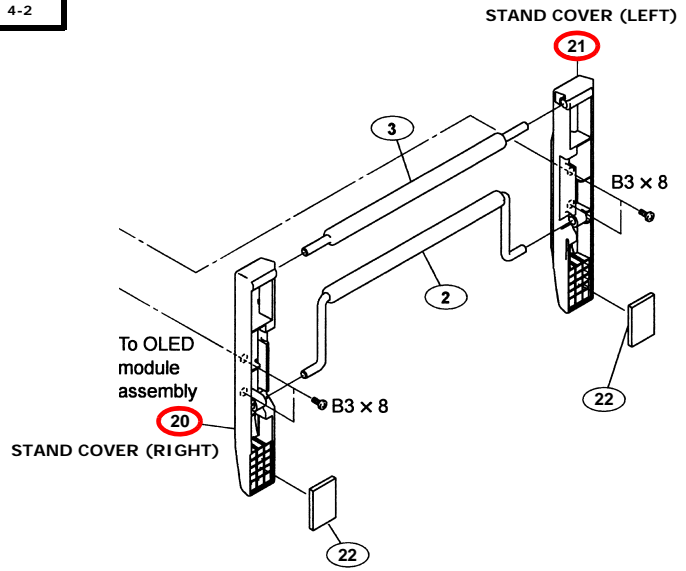


Figure 2

4-3

LMD-941W SERVICE MANUAL, 1ST EDITION
 SECTION 4 SPARE PARTS
 4-2. EXPLODED VIEWS
 REAR COVER BLOCK

No.	Part No.	SP	Description
23	4-146-131-01	s	COVER (LEFT), STAND
	↓		↓
	4-146-132-02		COVER (RIGHT), STAND
24	4-146-132-01	s	COVER (RIGHT), STAND
	↓		↓
	4-146-131-02		COVER (LEFT), STAND

4-2

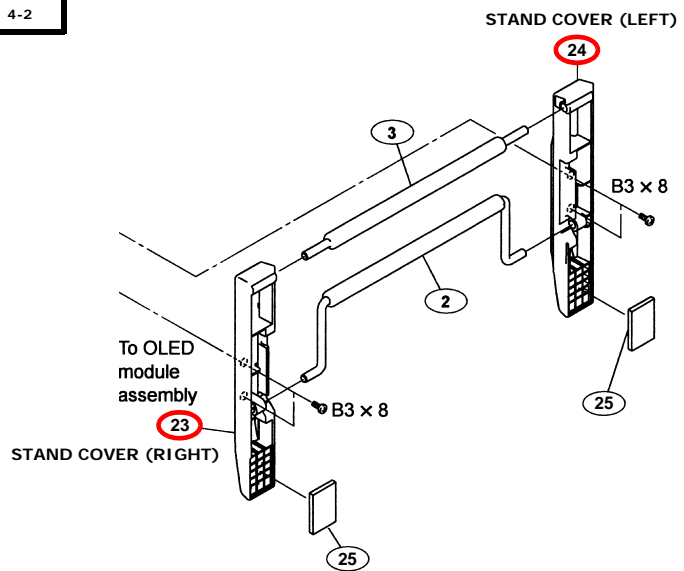


Figure 3