

**Display**

Date: **December 14, 1992**

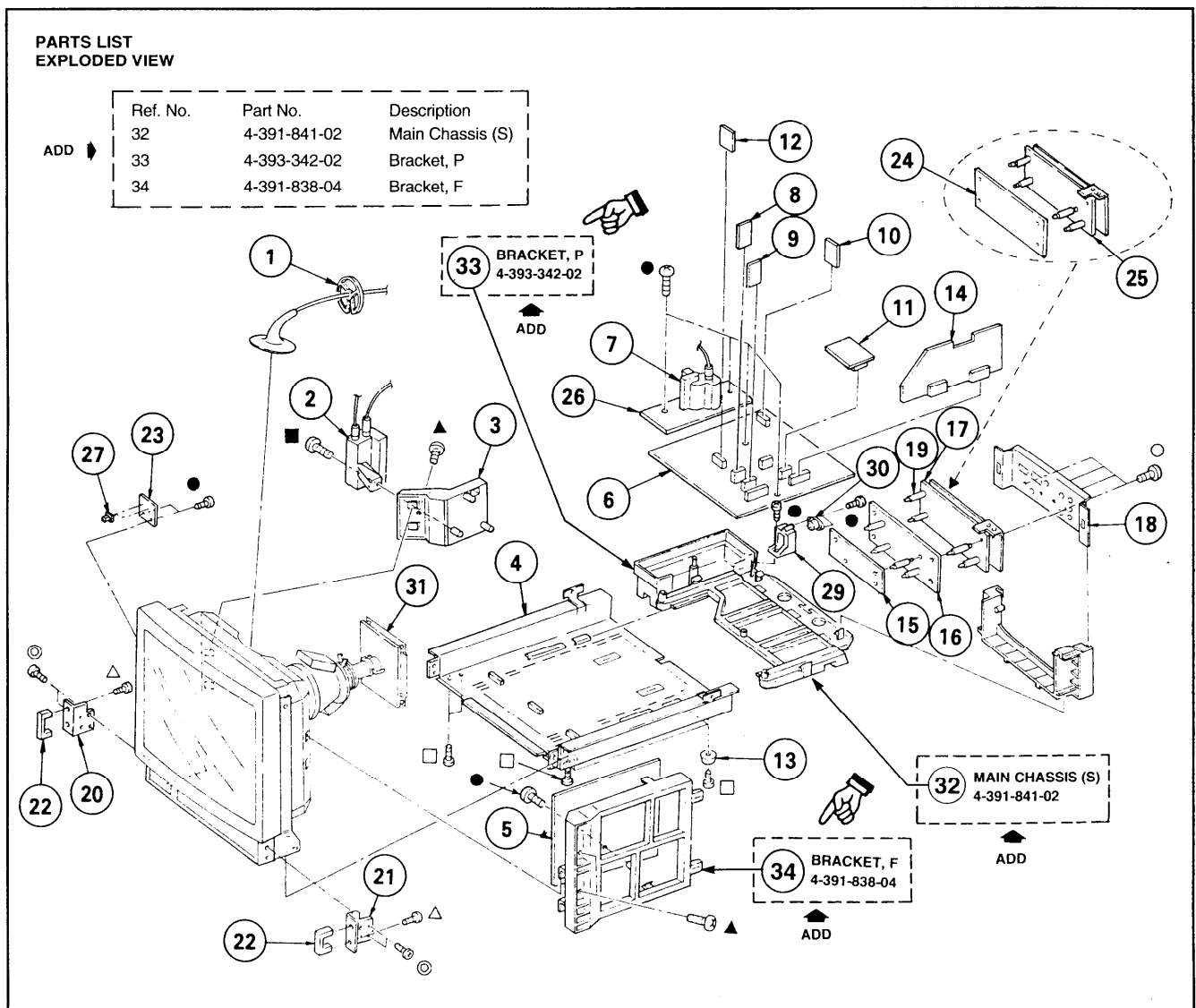
Subject: **PART REGISTRATION—MAIN CHASSIS (S)**

Model: **PVM-1340/1341/1342Q/1343MD/1344Q  
 PVM-1942Q/1943MD/1944Q**

Serial No: **ALL**

**DESCRIPTION**

The main supply chassis has been registered as part number **4-391-841-02**. Also available are the P-board (**4-393-342-02**) and F-board (**4-391-838-04**) brackets. Add these numbers to your service manual as shown in Figure 1.



**Figure 1**