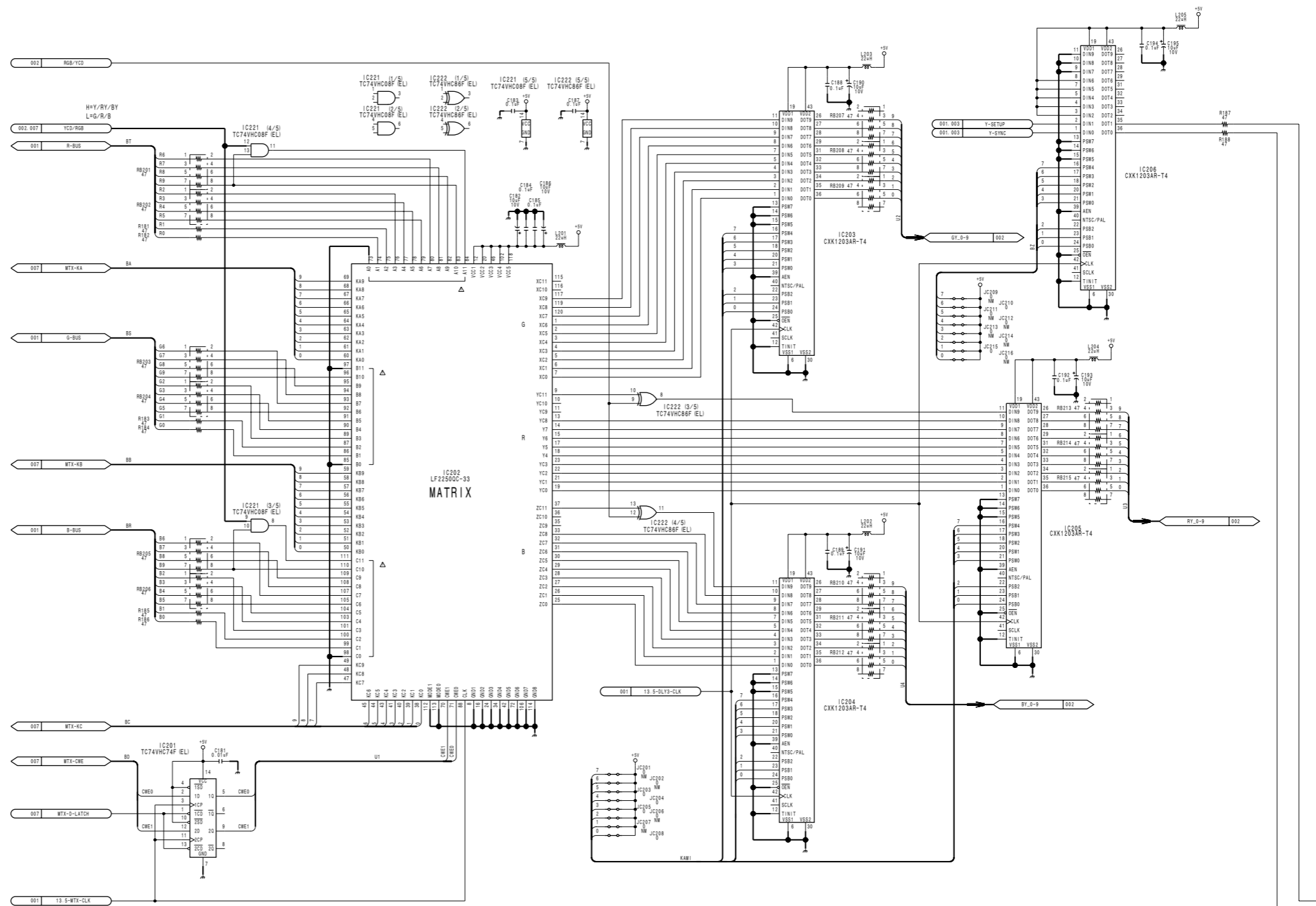


**IF-789 (1/7)**  
 BOARD NO. 1-677-850-12, 13  
 LOT NO. 912-  
 HKCU-901\_IF-789\_006\_1



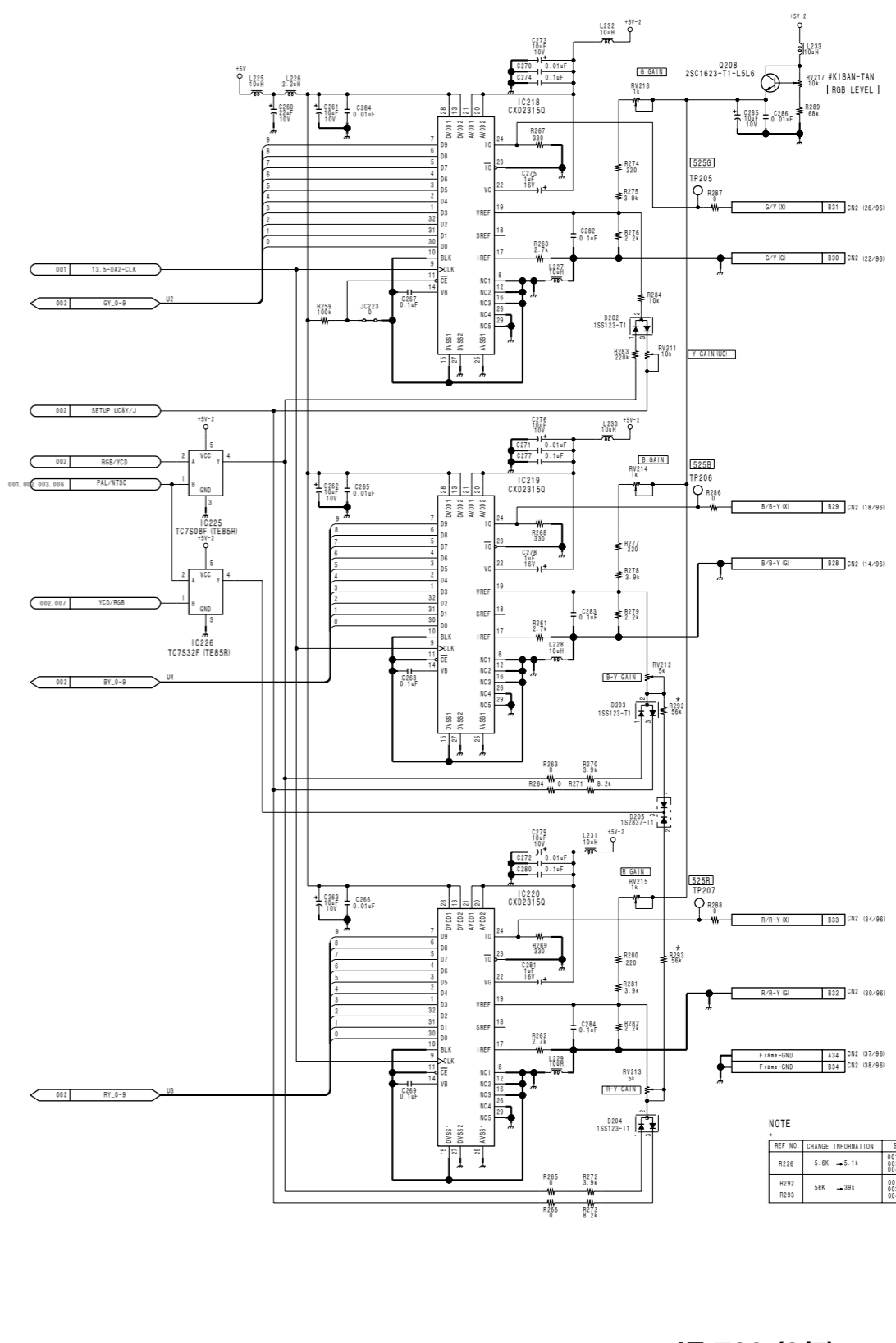
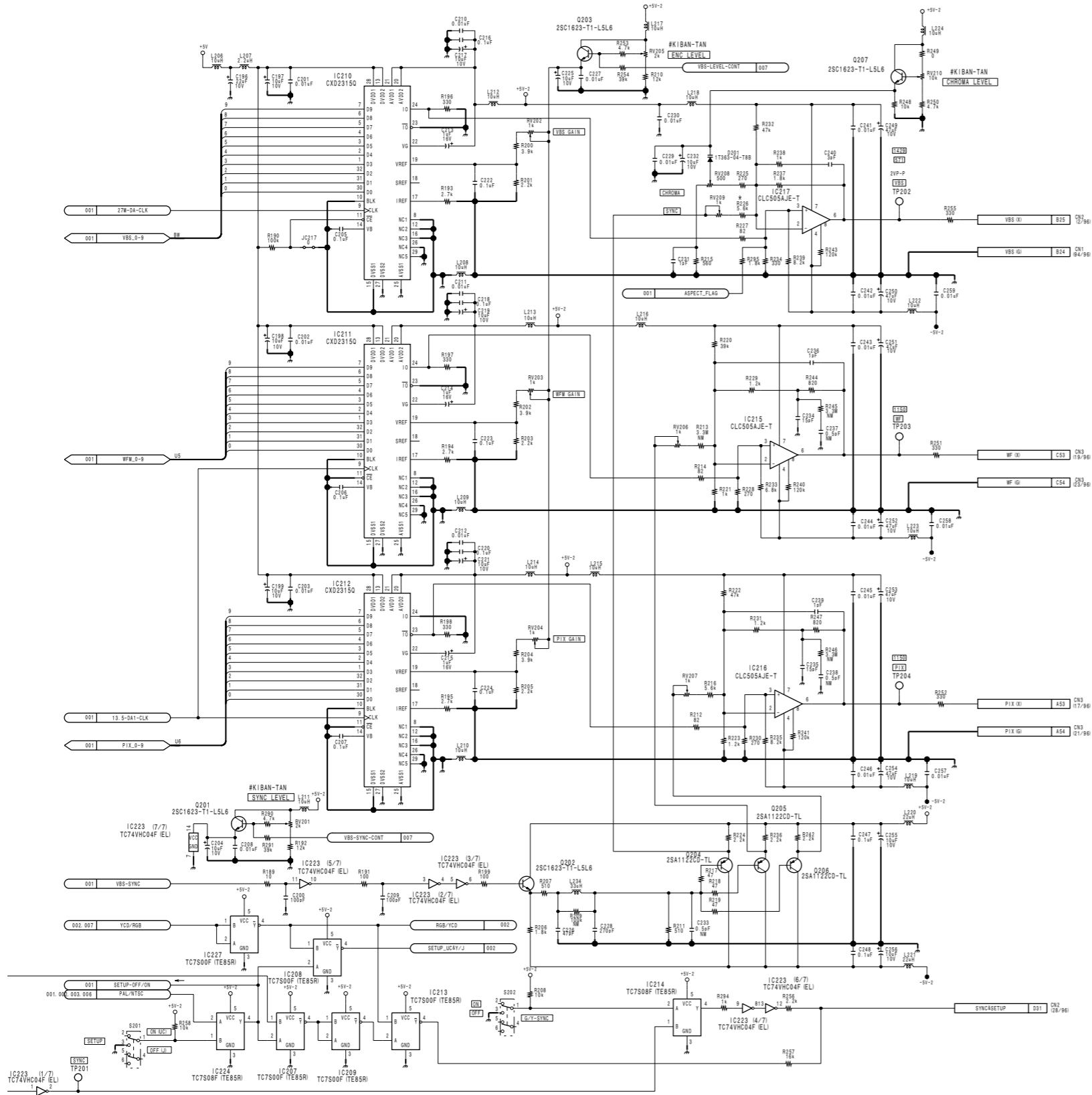
1

2

3

4

5

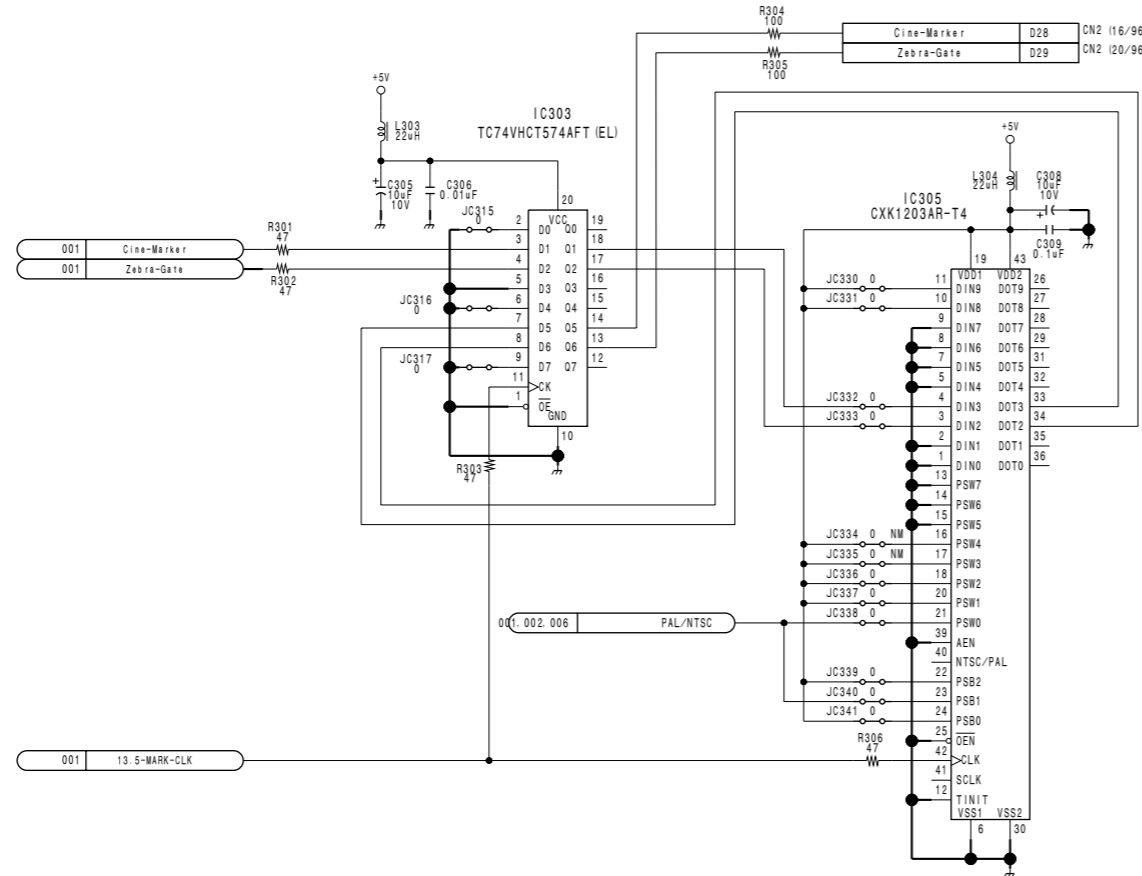
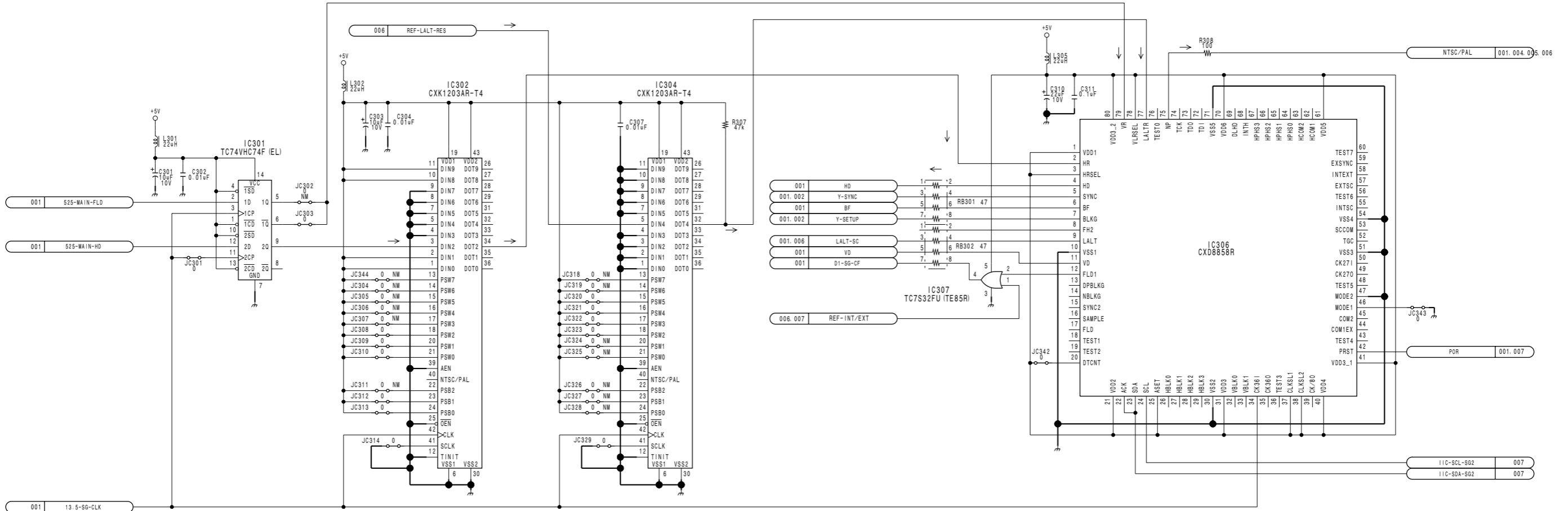


NOTE

REF NO	CHANGE INFORMATION	SERIAL NO
R206	5.0K → 5.1K	0010074-UCI 0000001-CEI
R202	56K → 39K	0010106-UCI 0000088-UCI 0040001-CEI

**IF-789 (2/7)**  
 BOARD NO. 1-677-850-12, 13  
 LOT NO. 912  
 HKUC-901\_IF-789\_006\_2





IF-789(0)-3R

IF-789(0)-3R

**IF-789 (3/7)**  
 BOARD NO. 1-677-850-12, 13  
 LOT NO. 912-  
 HKCU-901\_IF-789\_006\_3

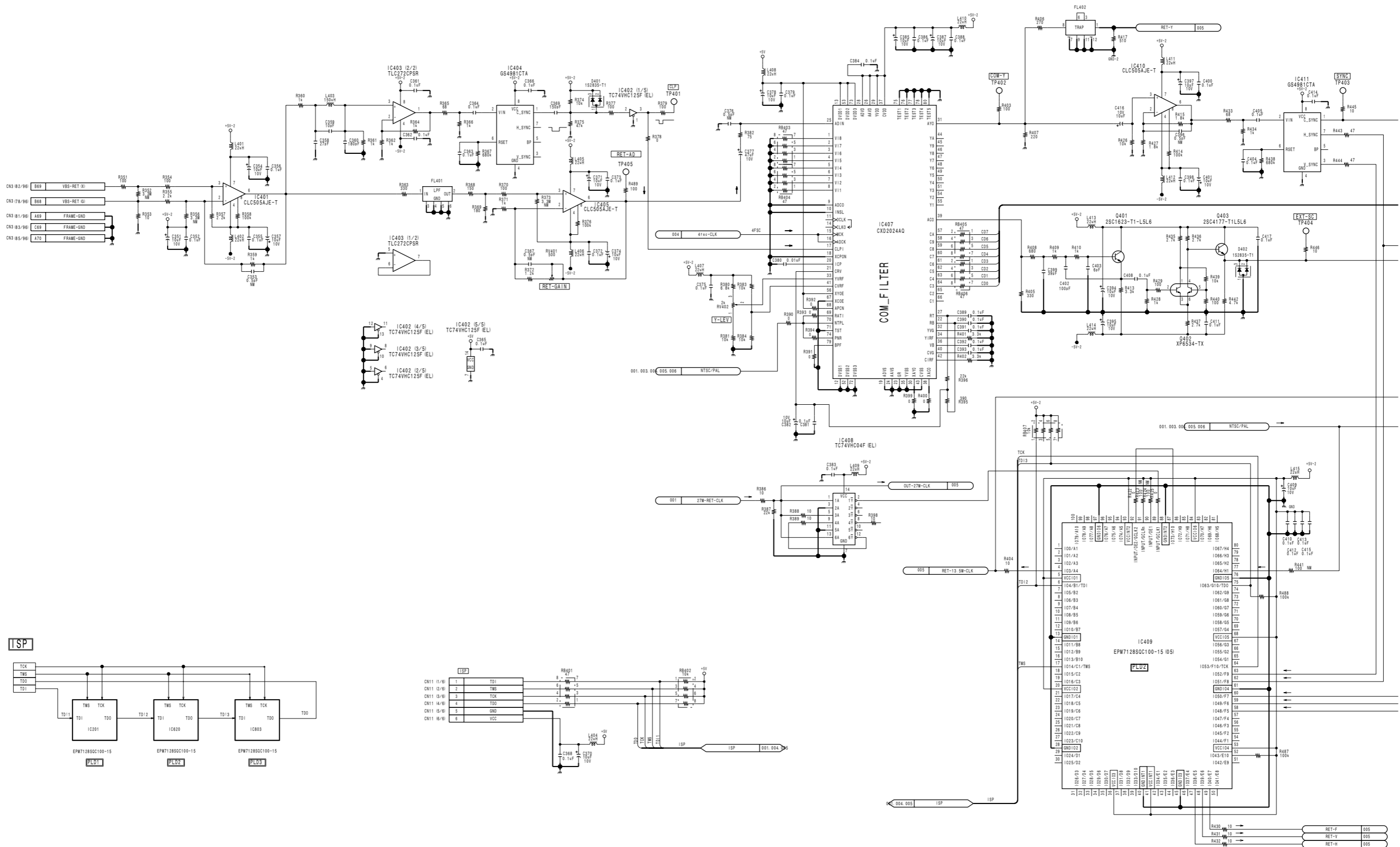
1

2

3

4

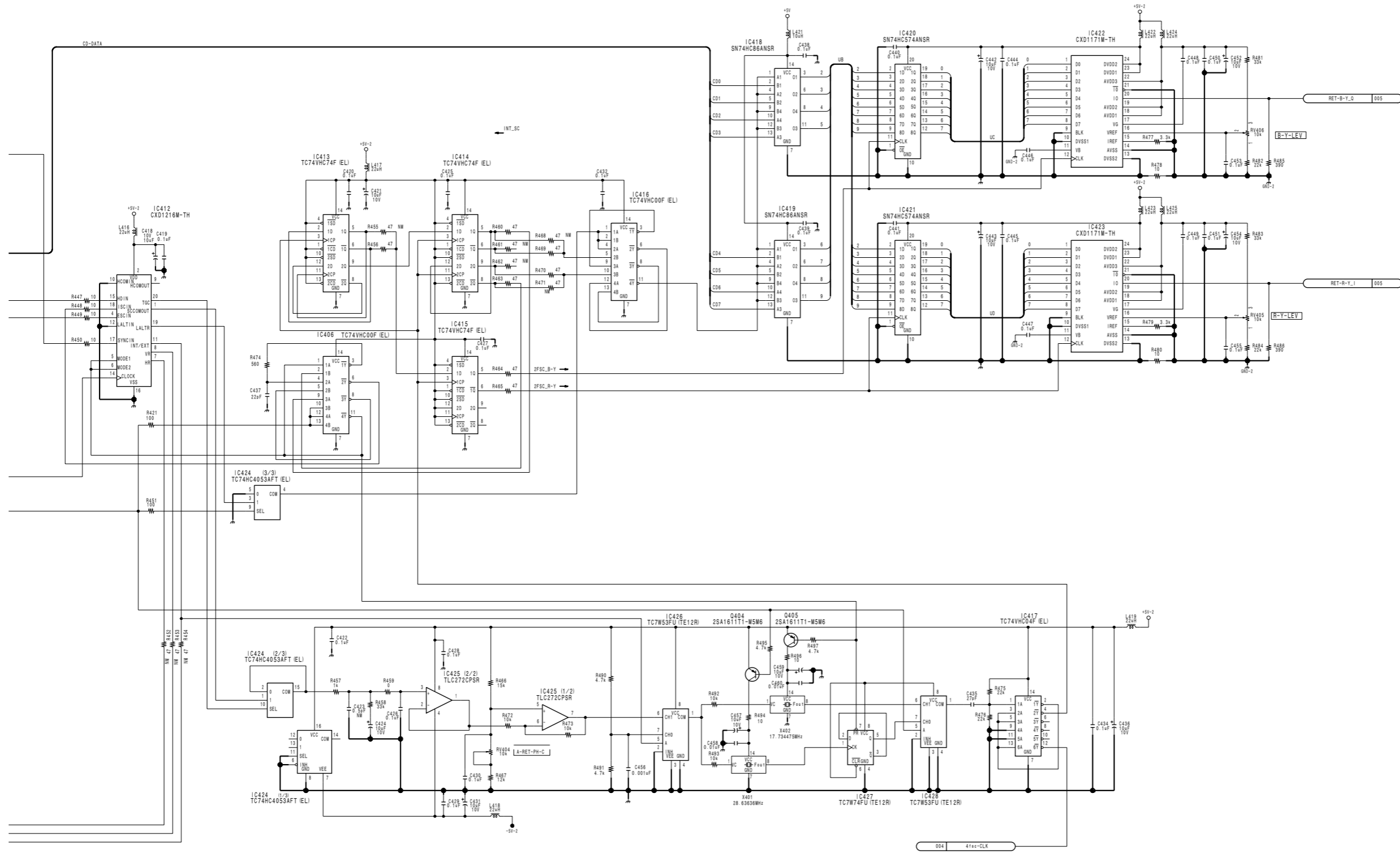
5



IF-789(0)-4L

IF-789(0)-4L





1

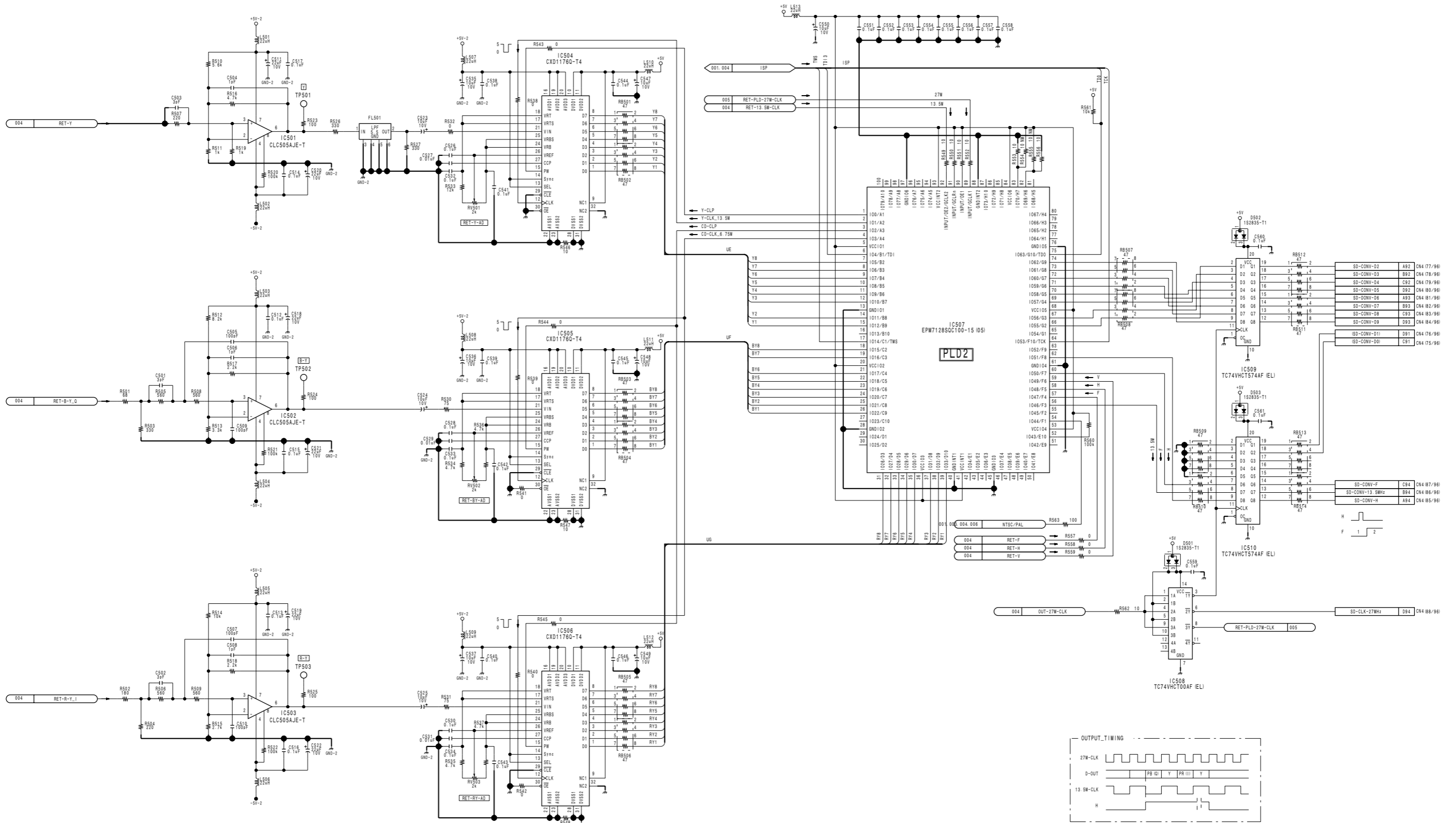
2

3

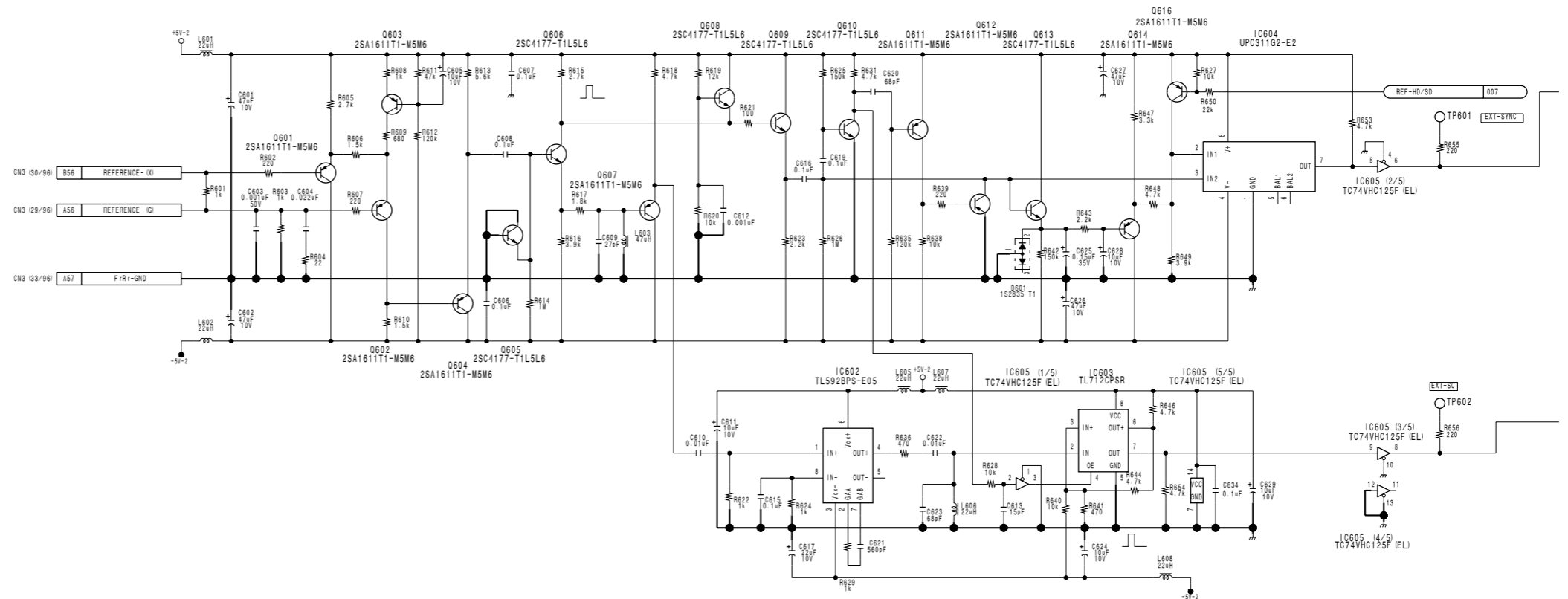
4

5





IF-789 (5/7)  
BOARD NO. 1-677-850-12, 13  
LOT NO. 912-  
HKCU-901\_IF-789\_006\_5



IF-789(0)-6L

IF-789(0)-6L

A

B

C

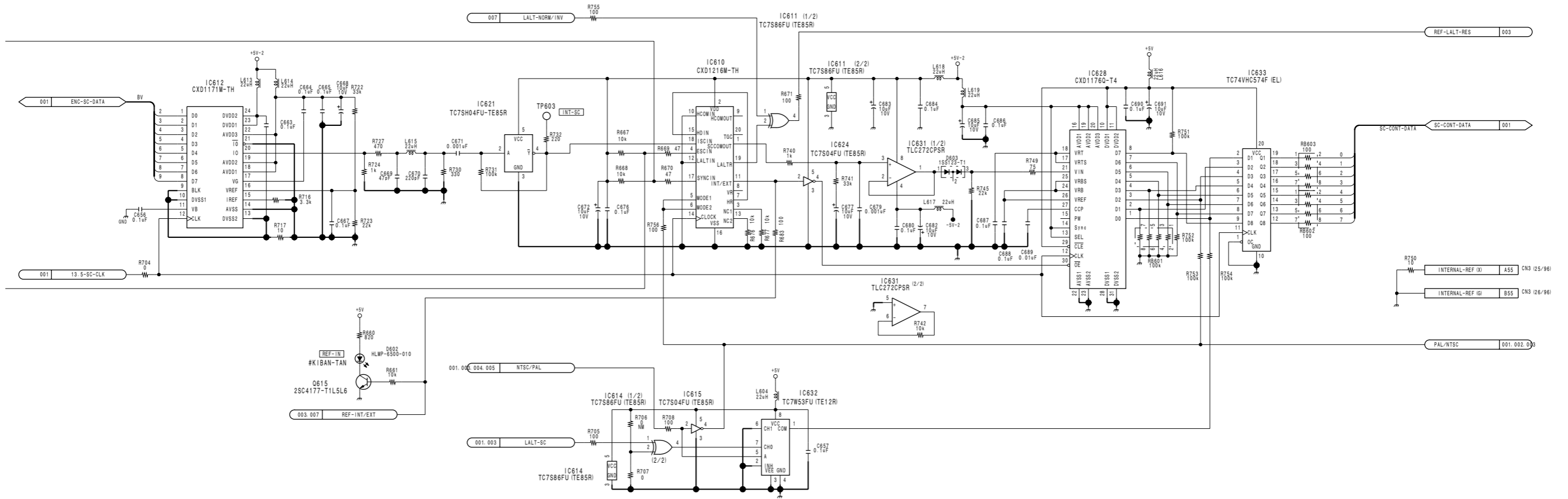
D

E

F

G

H



**IF-789 (6/7)**  
 BOARD NO. 1-677-850-12, 13  
 LOT NO. 912-  
 HKCU-901\_IF-789\_006\_6

IF-789 (7/7) IF-789 (7/7)

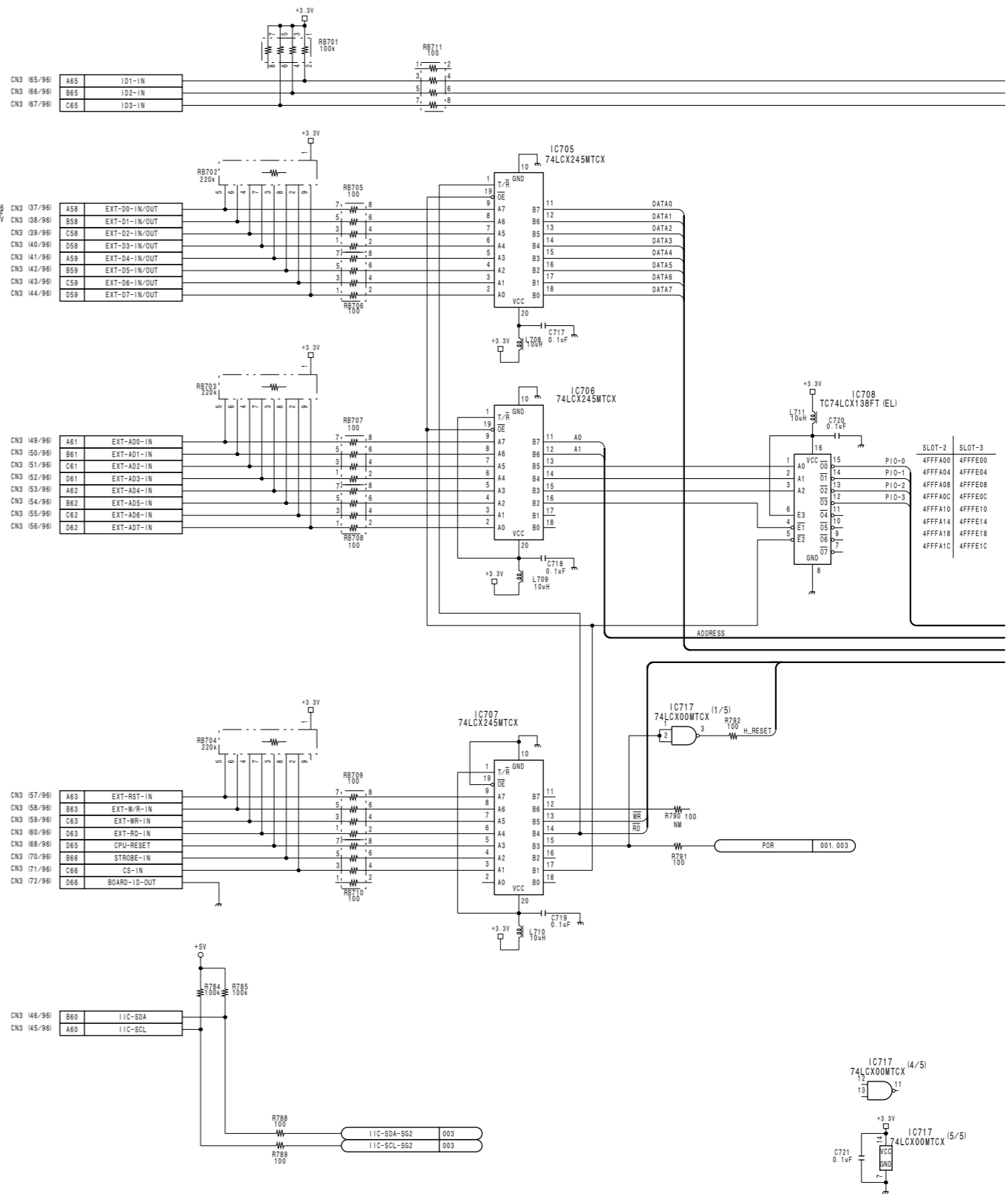
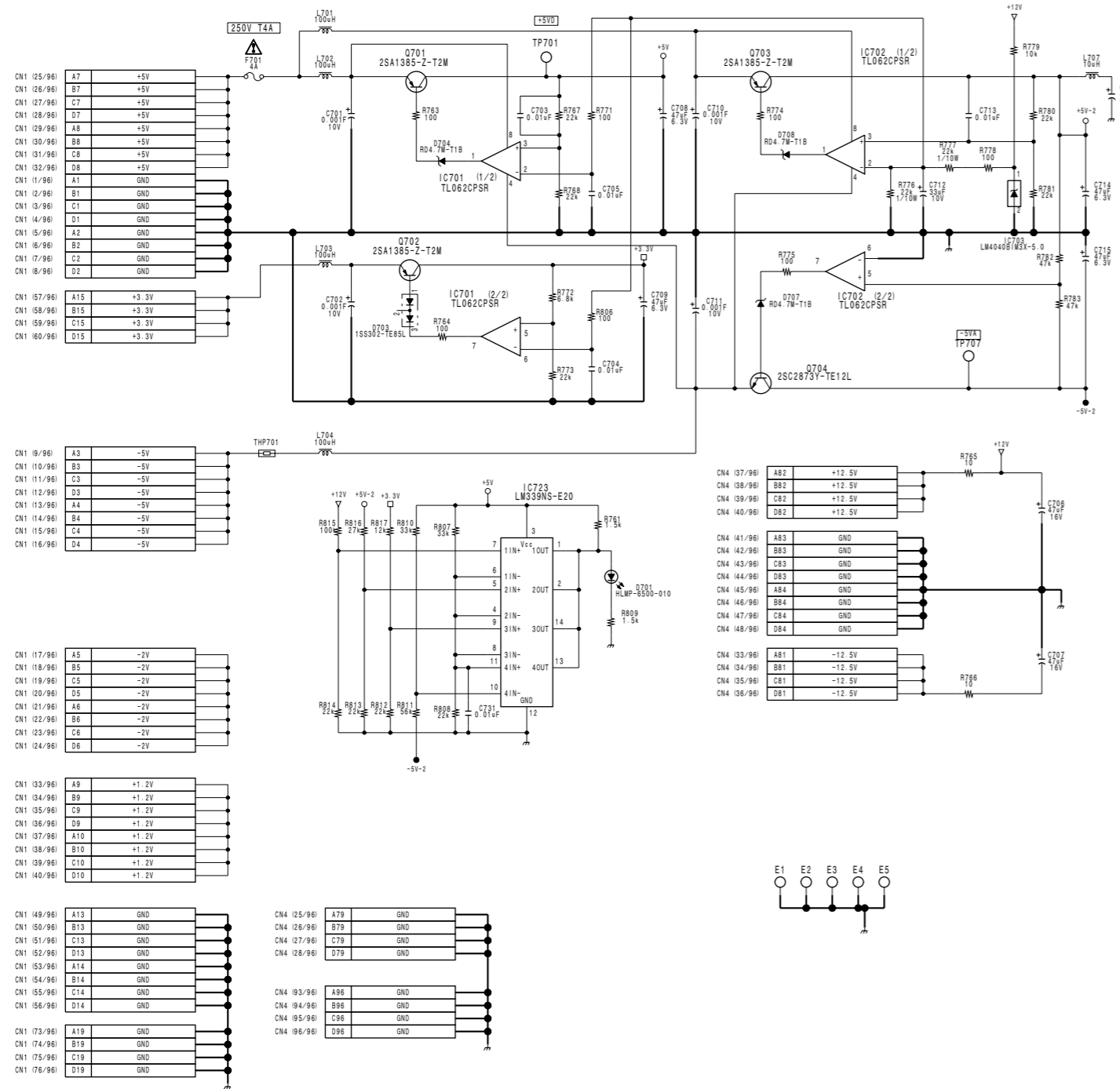
1

2

3

4

5



IF-789(0)-7L

IF-789(0)-7L

A

B

C

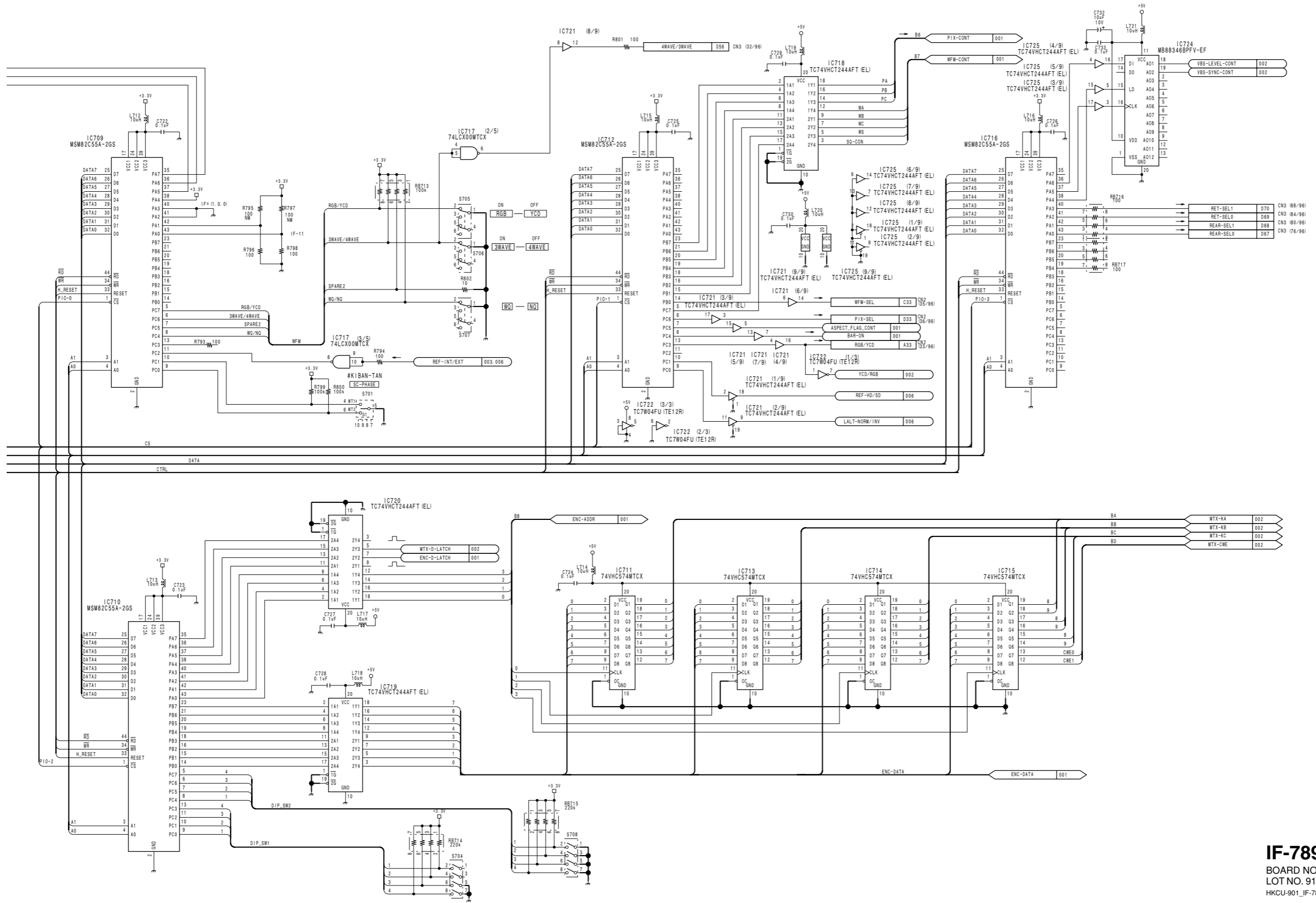
D

E

F

G

H



**IF-789 (7/7)**  
 BOARD NO. 1-677-850-12, 13  
 LOT NO. 912-  
 HKCU-901\_IF-789\_006\_7