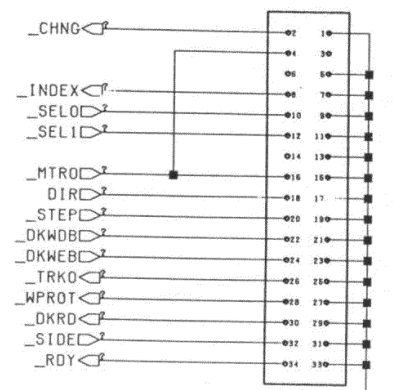
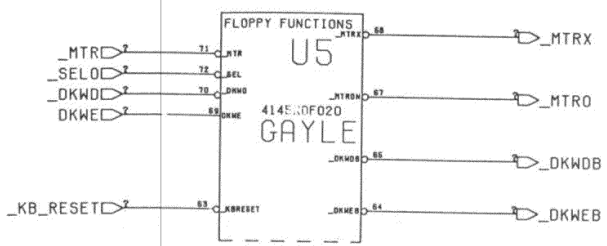
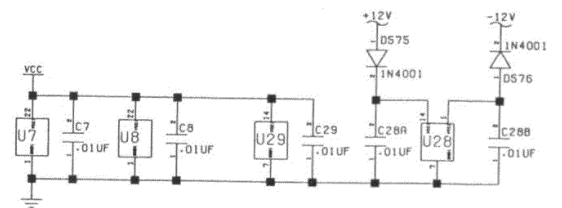
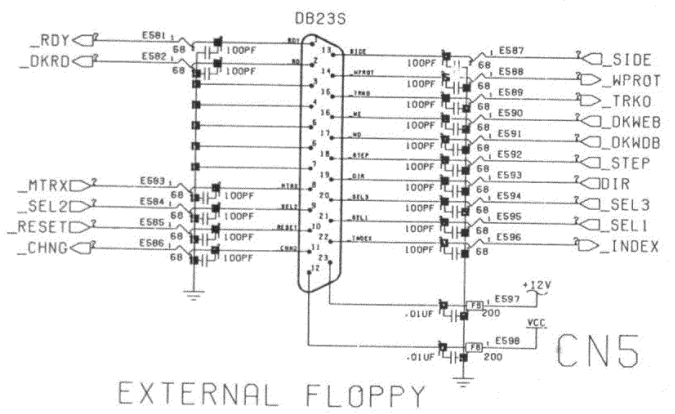
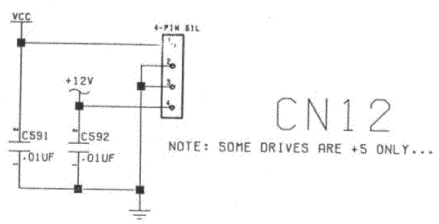
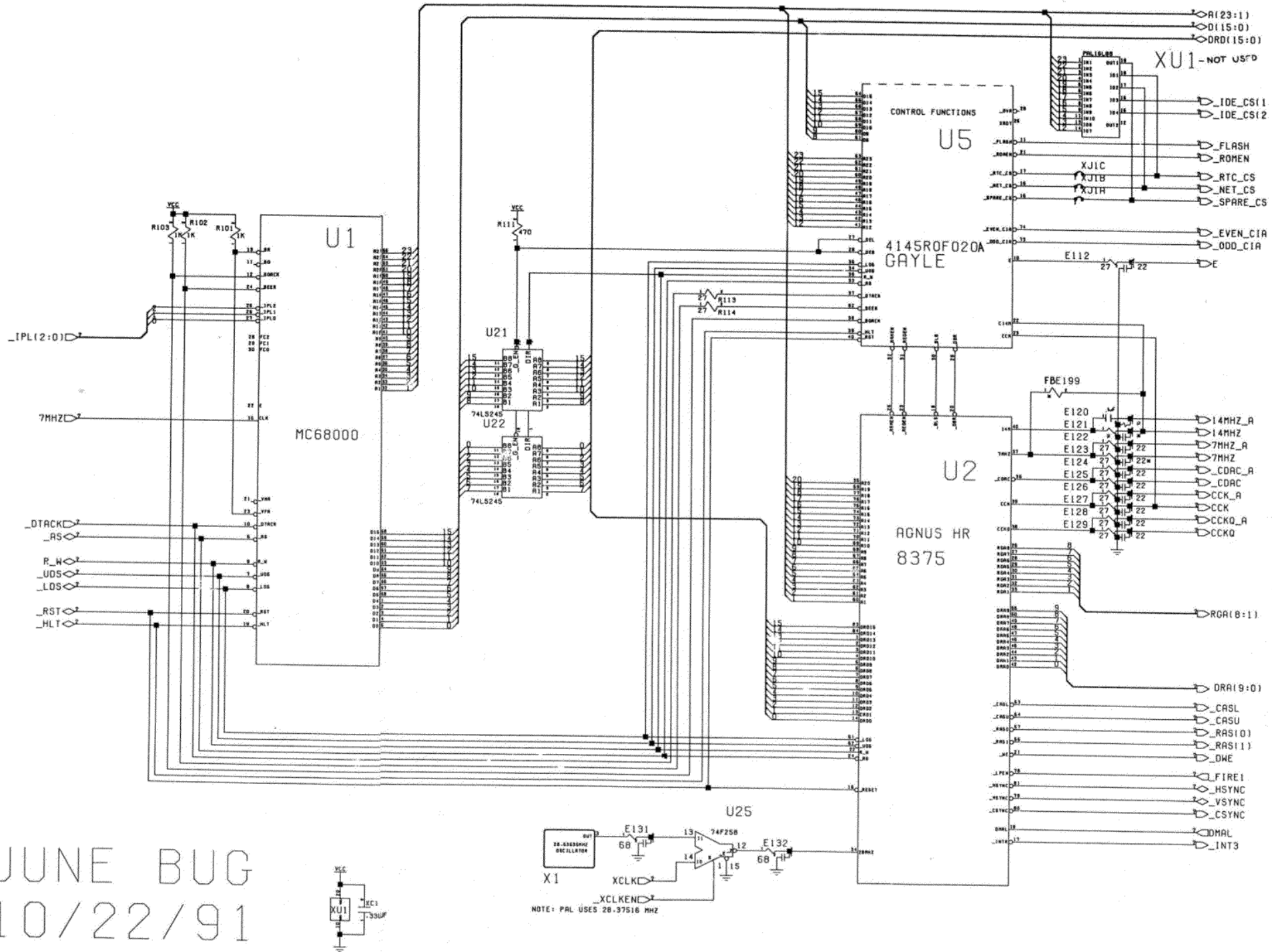


FLOPPY LOGIC

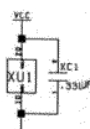


FLOPPY POWER

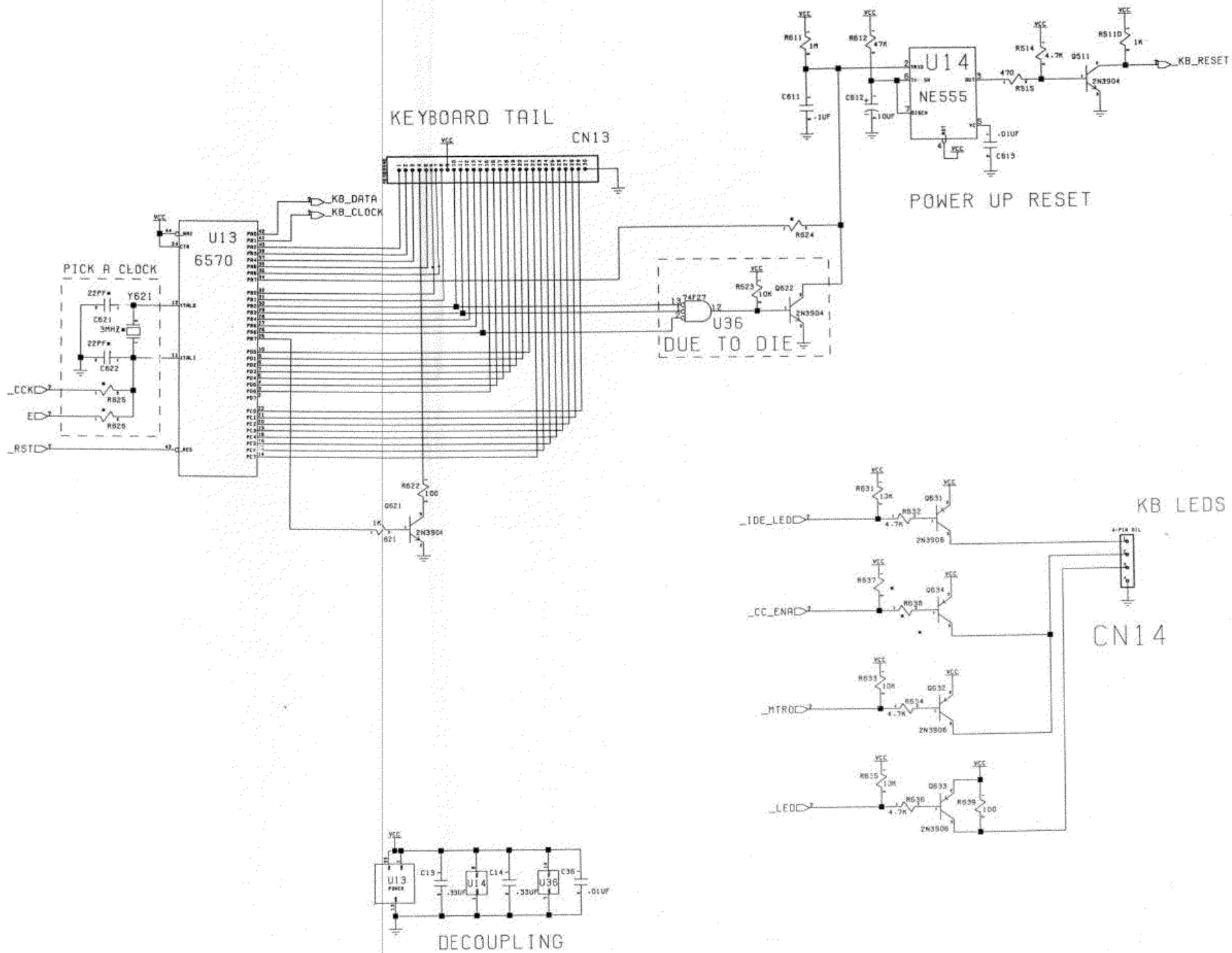




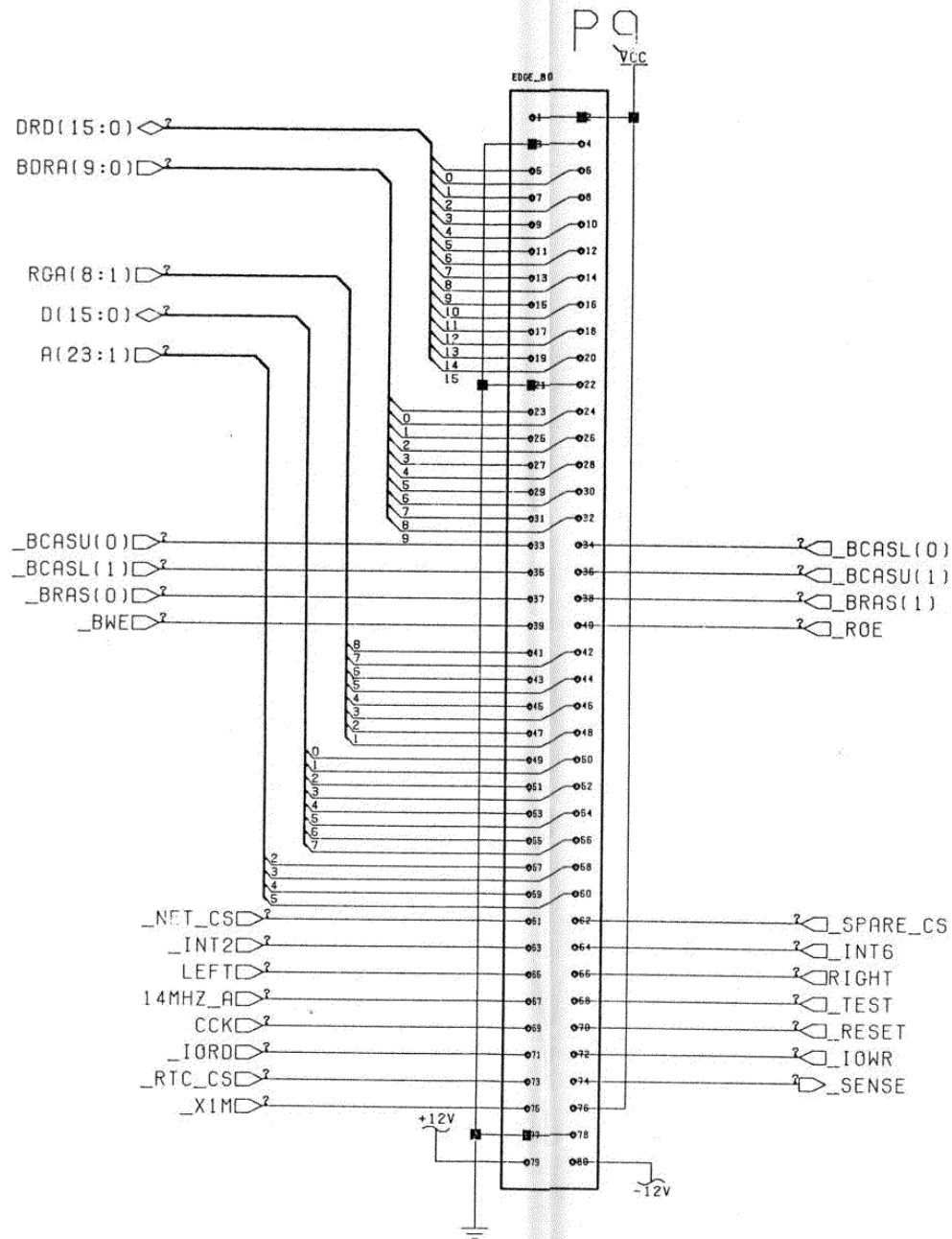
JUNE BUG  
10/22/91



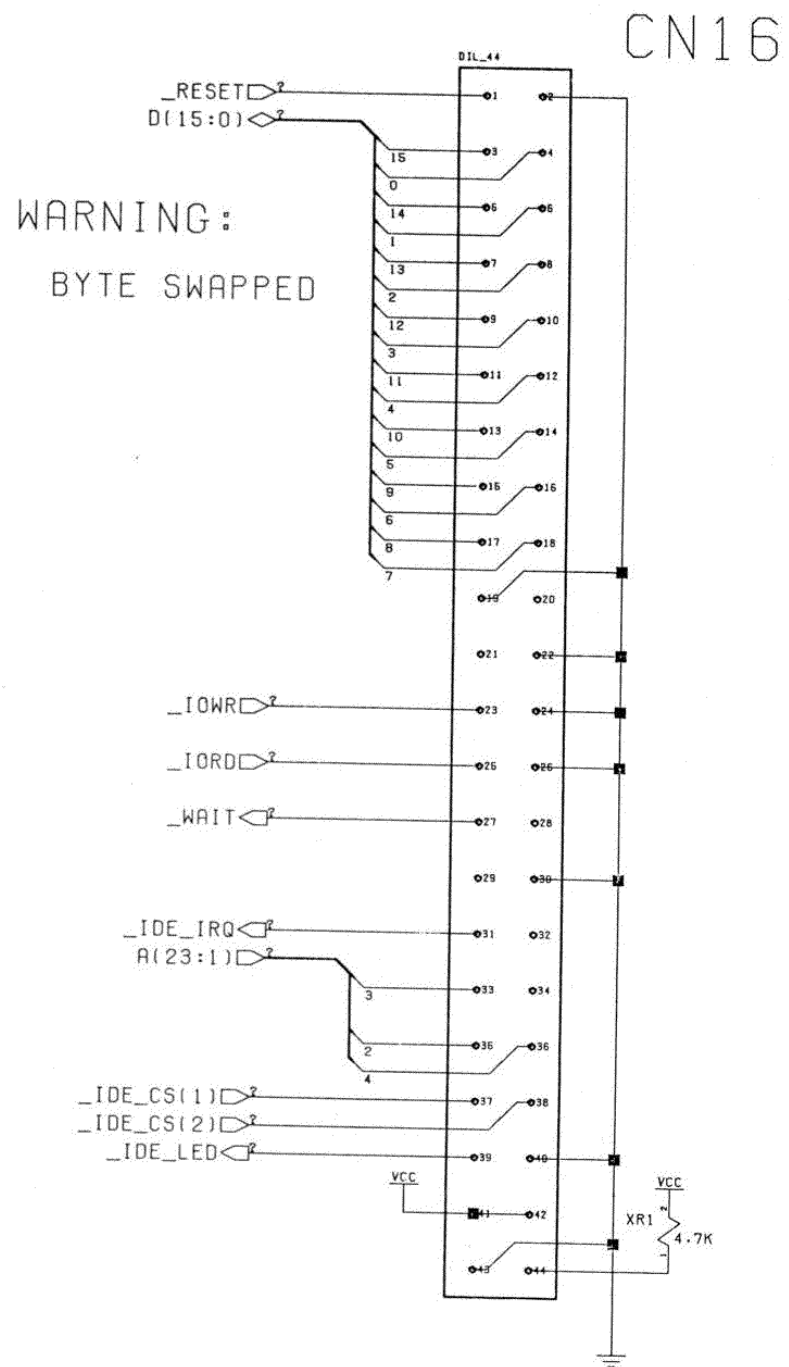


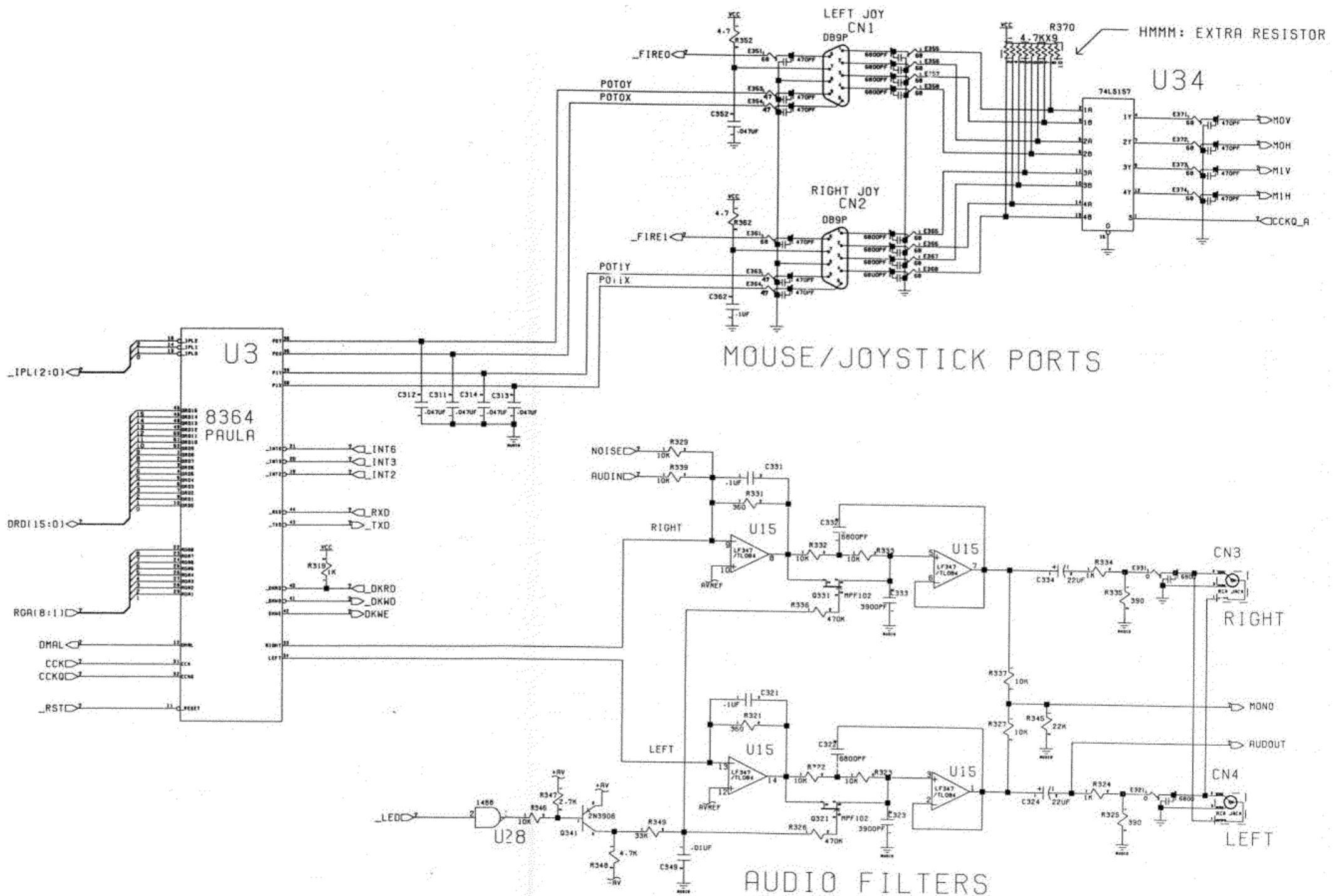


# MEMORY EXPANSION



# IDE DRIVE





HMMM: EXTRA RESISTOR

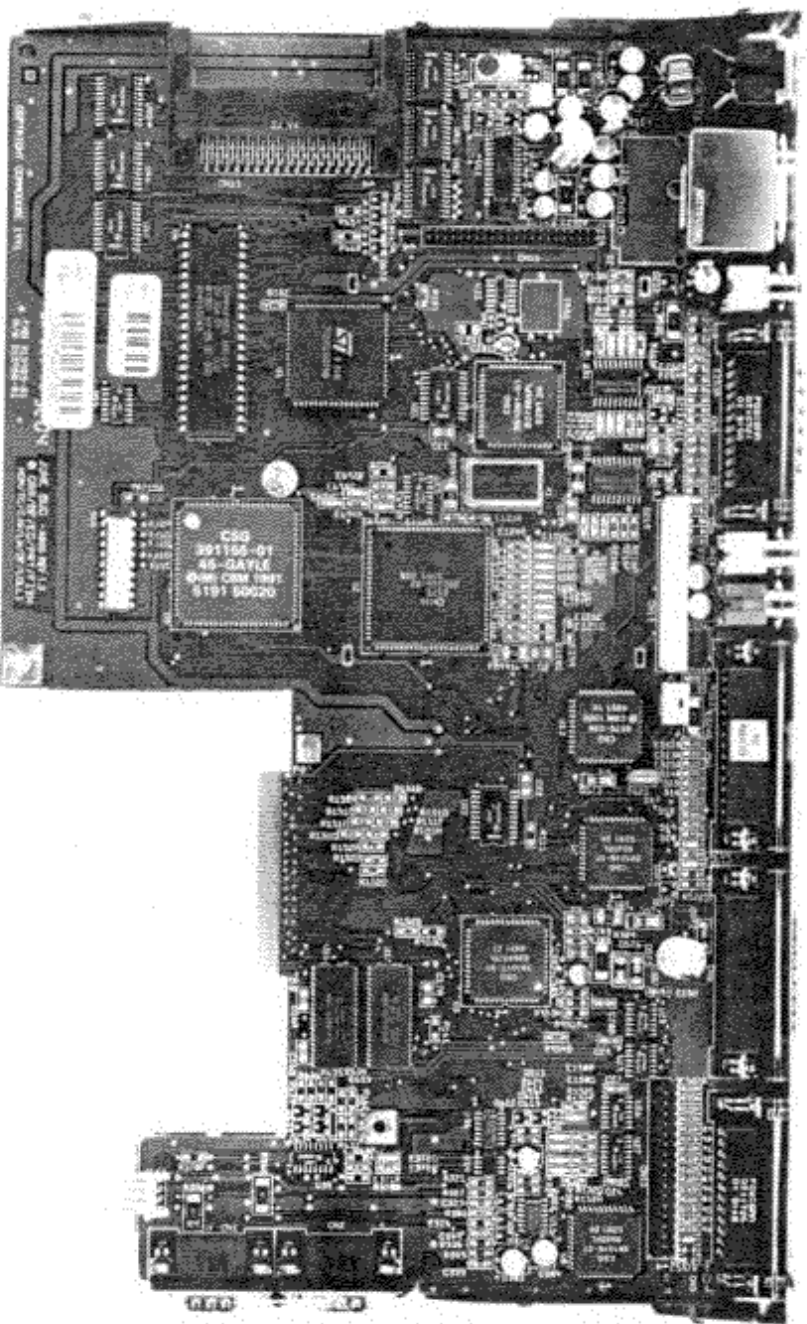
MOUSE/JOYSTICK PORTS

AUDIO FILTERS

NOTE: LED OFF FILTERS BYPASSED







## KEY COMPONENTS

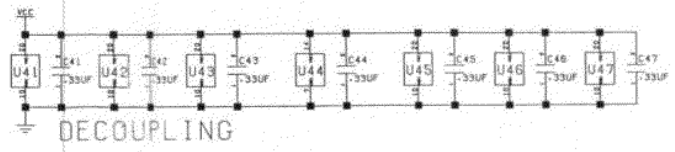
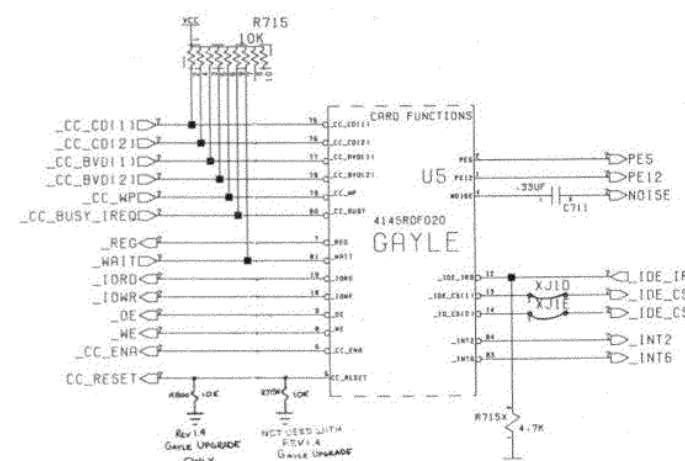
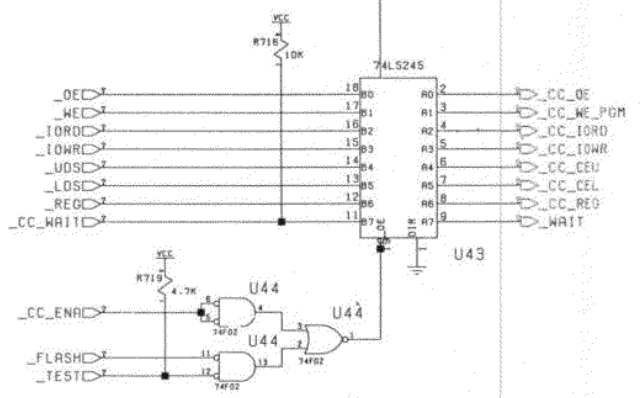
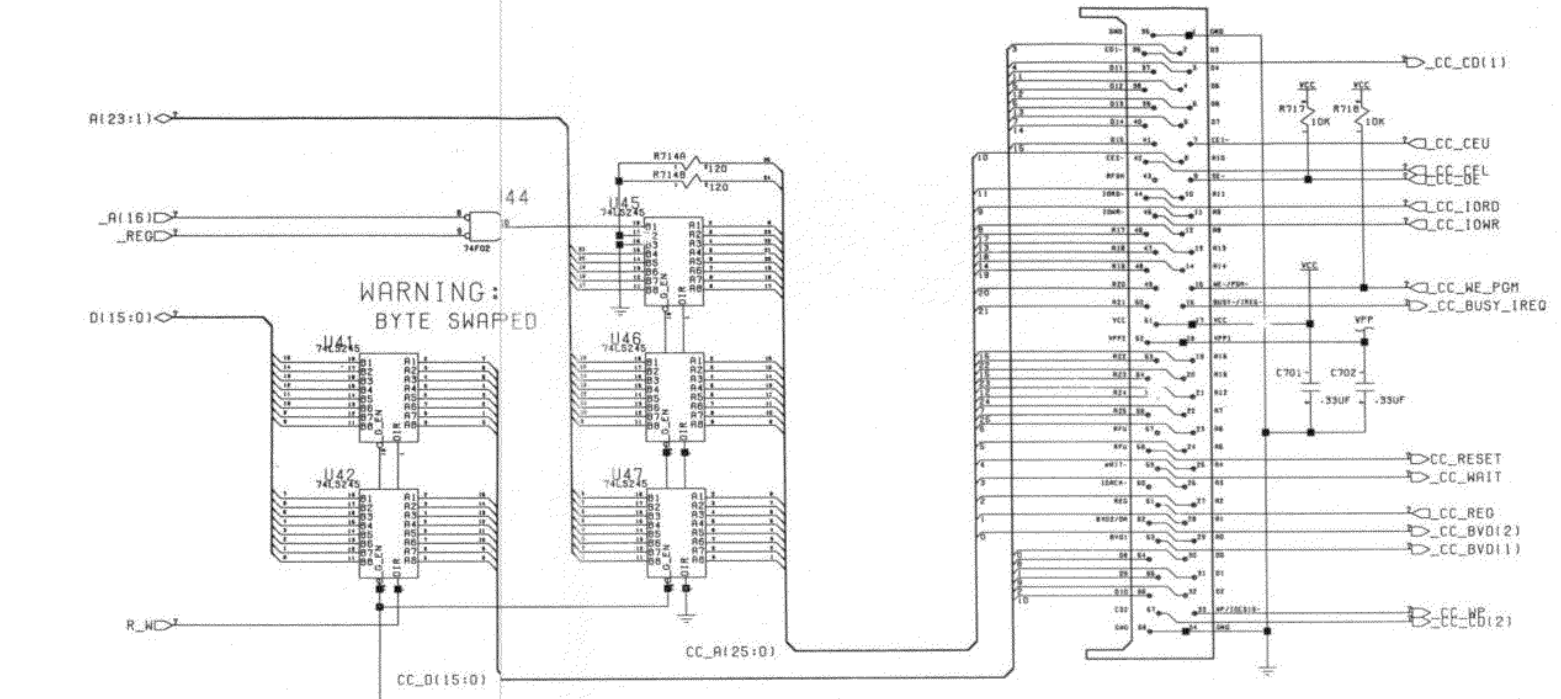
Ref.	Chip	Description	Part Number
U1	68000	68000 Processor 6MHz	390084-01
U2	8375	ECS Agnus A300/AS00 + Paula	390544-01
U3	8364		391077-01
U4	8373	ECS Denise	391081-01
U5	4145-20	Gayle Gate Array	391155-01
U6	ASST	ROM 256Kx16 200ns	391304-01
U7-8	8520	Amiga VIA 1 MHz	391078-01
U10-11	28F10	Flash Memory 128Kx8	
U12	CXA1145	Sony Video Encoder	391084-01
U13	6570-30	Amiga Keyboard MPU	391079-01
U14	ME555	Reset Timer	391104-01
U15	ASST	Drain 255Kx16, 120ns	391105-01
U16-17	LF347	Blmos Op-Amp	391103-01
U18	TL084	EIA Line Driver	391087-01
U28	1488	EIA Line Receiver	391086-01
U29	OSC	TTL 28.63636 MHz NTSC	325566-14
X1	OSC	TTL 28.37512 MHz PAL	252344-01
Y451	XTAL	4.43619 MHz PAL Burst	252345-01
Y621	XTAL	3 MHz Ceramic Resonator	391156-01
X2	ASST	PAL Video Modulator	313371-05
	ASST	NTSC Video Modulator	313371-01

## CONNECTORS

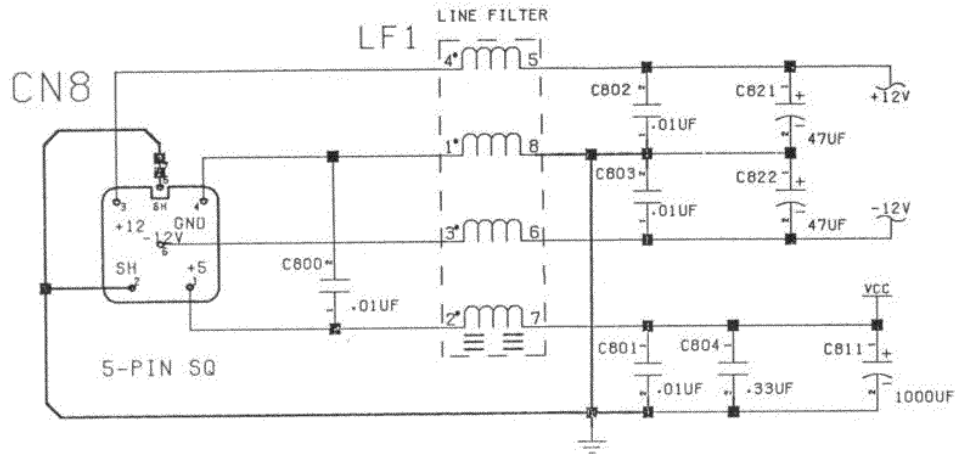
Ref.	Type	Description	Part Number
CN1	DB9P	Mouse/Joystick 1	390242-01
CN2	DB9P	Mouse/Joystick 2	390242-01
CN3	RCA-J	Right Audio Output	252122-02
CN4	RCA-J	Left Audio Output	252122-01
CN5	DB23S	External Floppy	390241-03
CN6	DB25P	RS232 Serial Port	
CN7	DB25S	Parallel Printer Port	390241-05
CN8	SO DIN	Power Supply Connector	252167-01
CN9	DB23P	Video Output	390242-03
CN10	RCA-J	Composite Video	252122-01
CN11	DIL-34	Internal Floppy Signal	903345-17
CN12	SIL-4	Internal Floppy Power	325516-04
CN13	MEM-30	Keyboard Membrane	390492-02
CN14	MEM-30	Keyboard Membrane	
CN15	SIL-4	PC "Memory Card"	391314-01
	PCMCIA	Memory Bus Expansion	391073-01
P9	EDGE-80		

MEMORY CARD

CN15

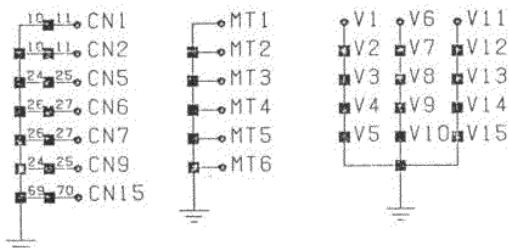


# POWER INPUT



NOTE: HEAVY LINES INDICATE A SINGLE POINT CONNECTION

# GROUNDING HOLES, & C.



# "BUS" TERMININATION

