

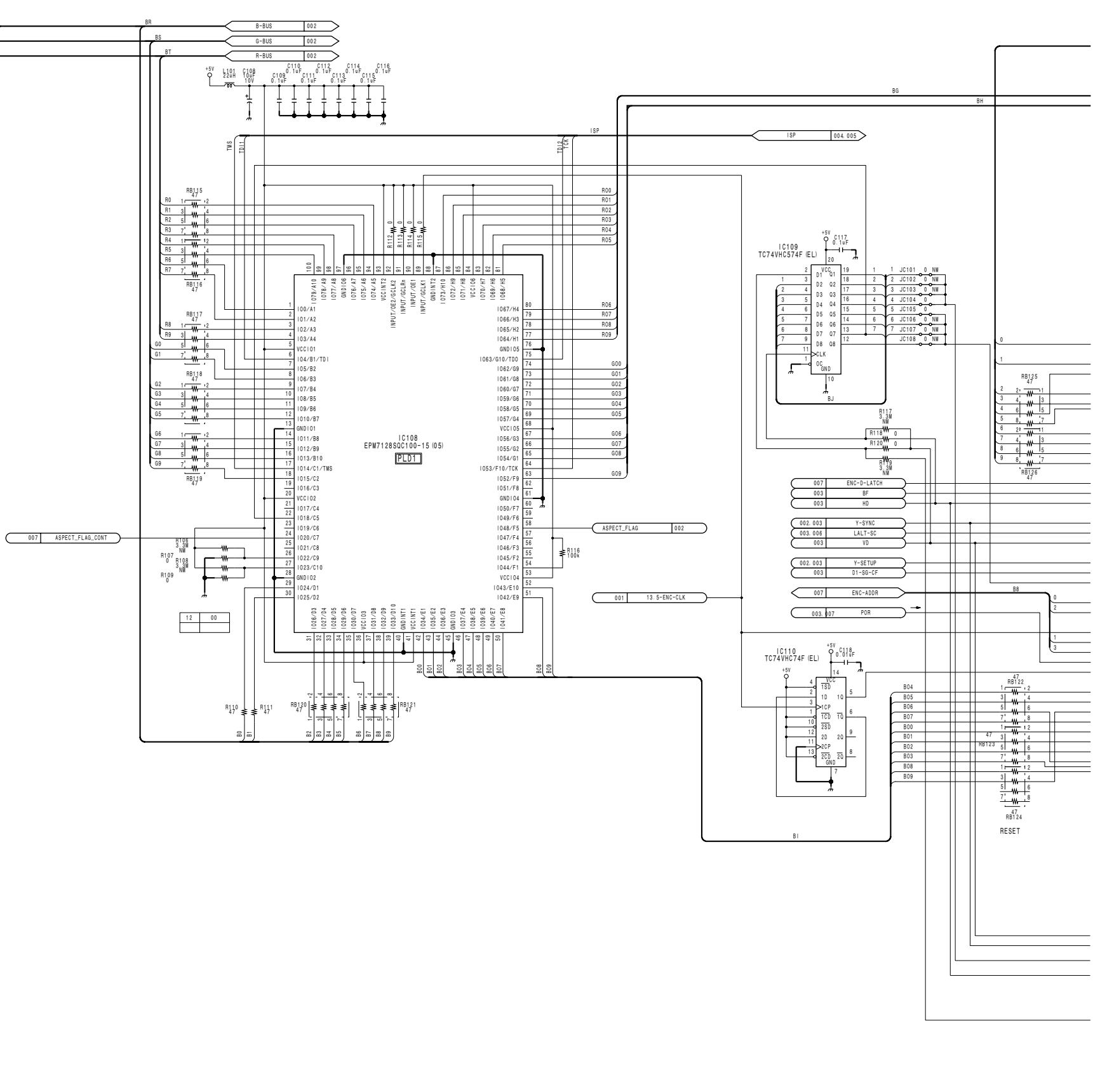
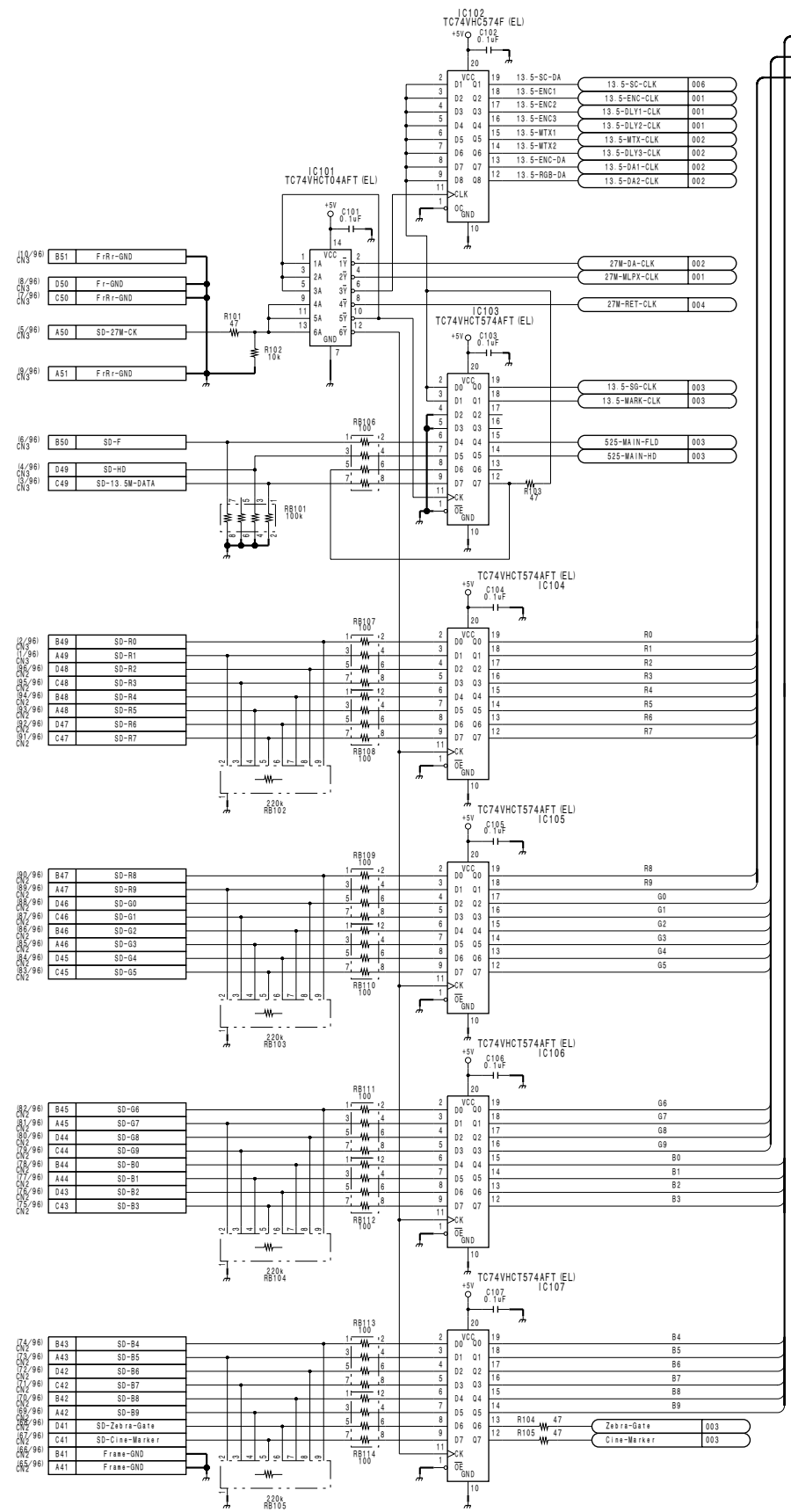
1

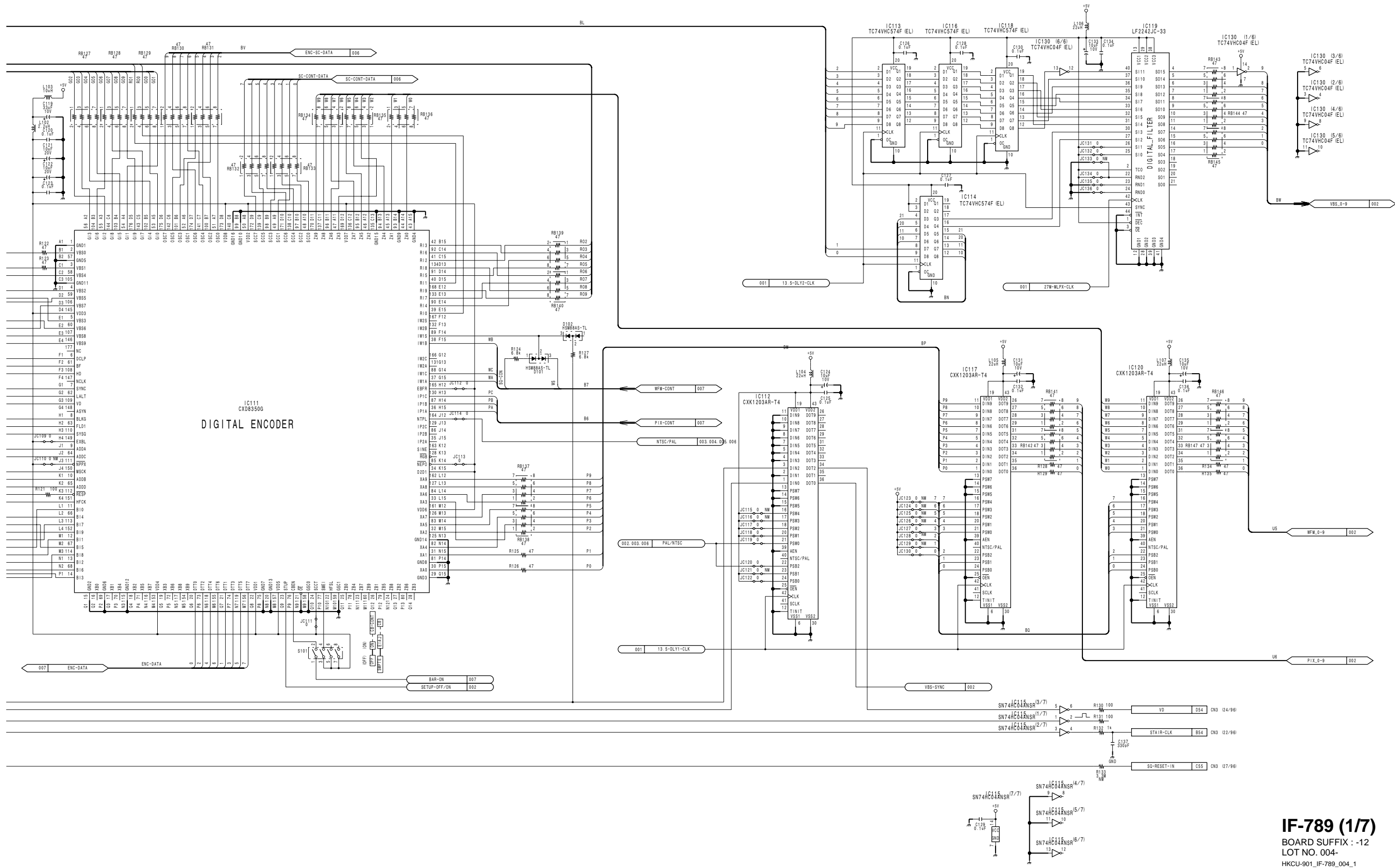
2

3

4

5





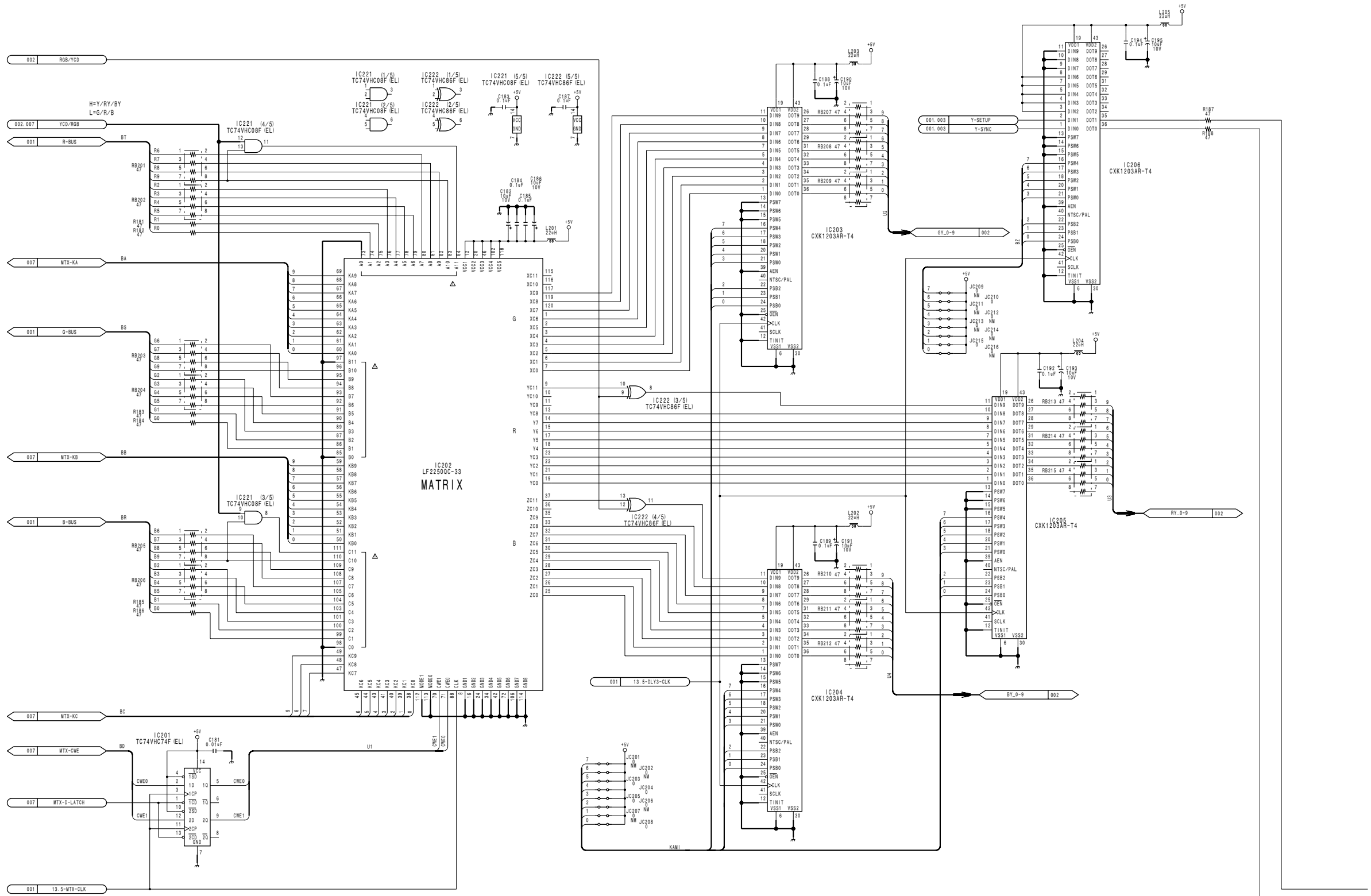
1

2

3

4

5



1

2

3

4

5

A

B

C

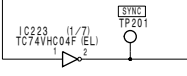
D

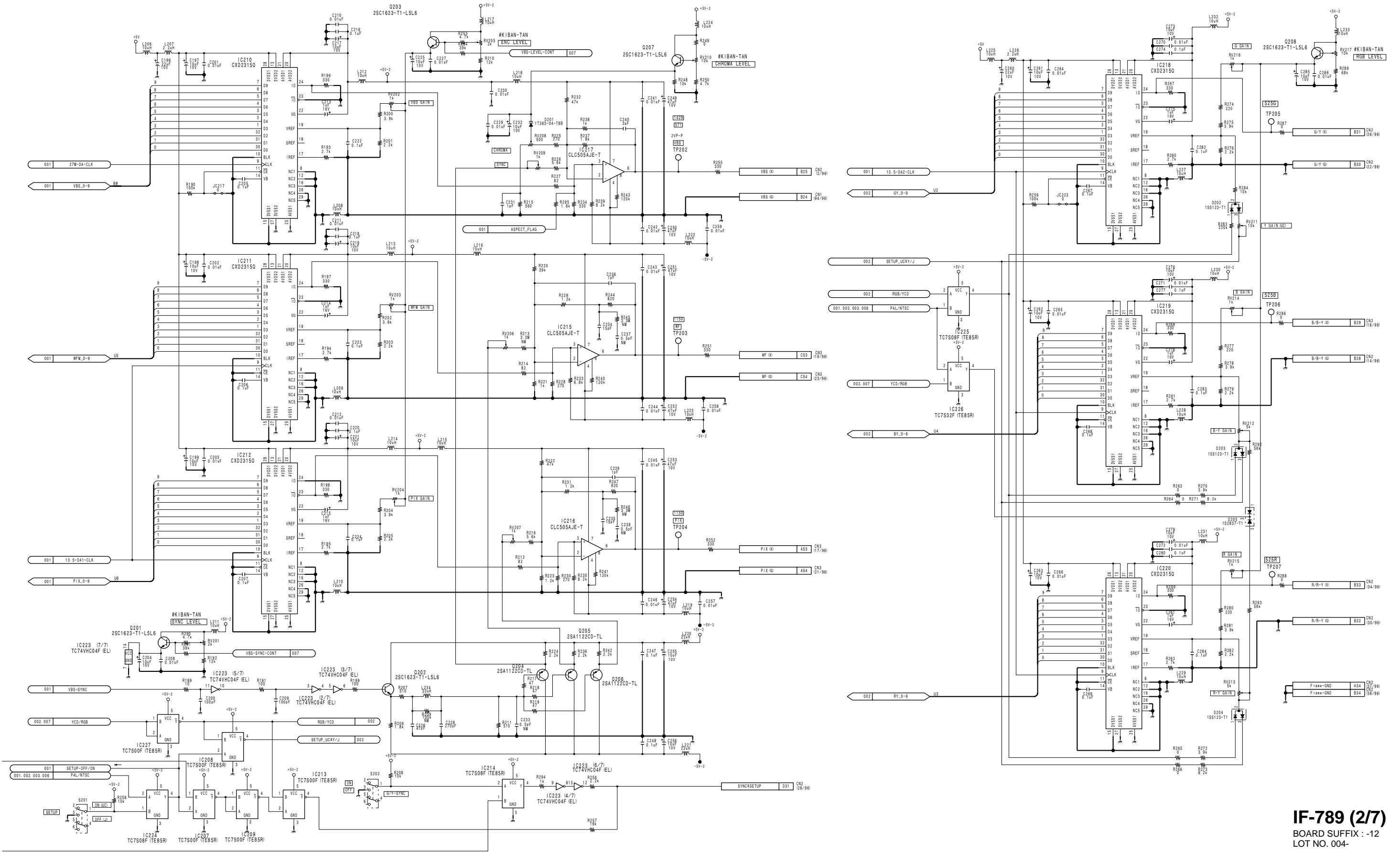
E

F

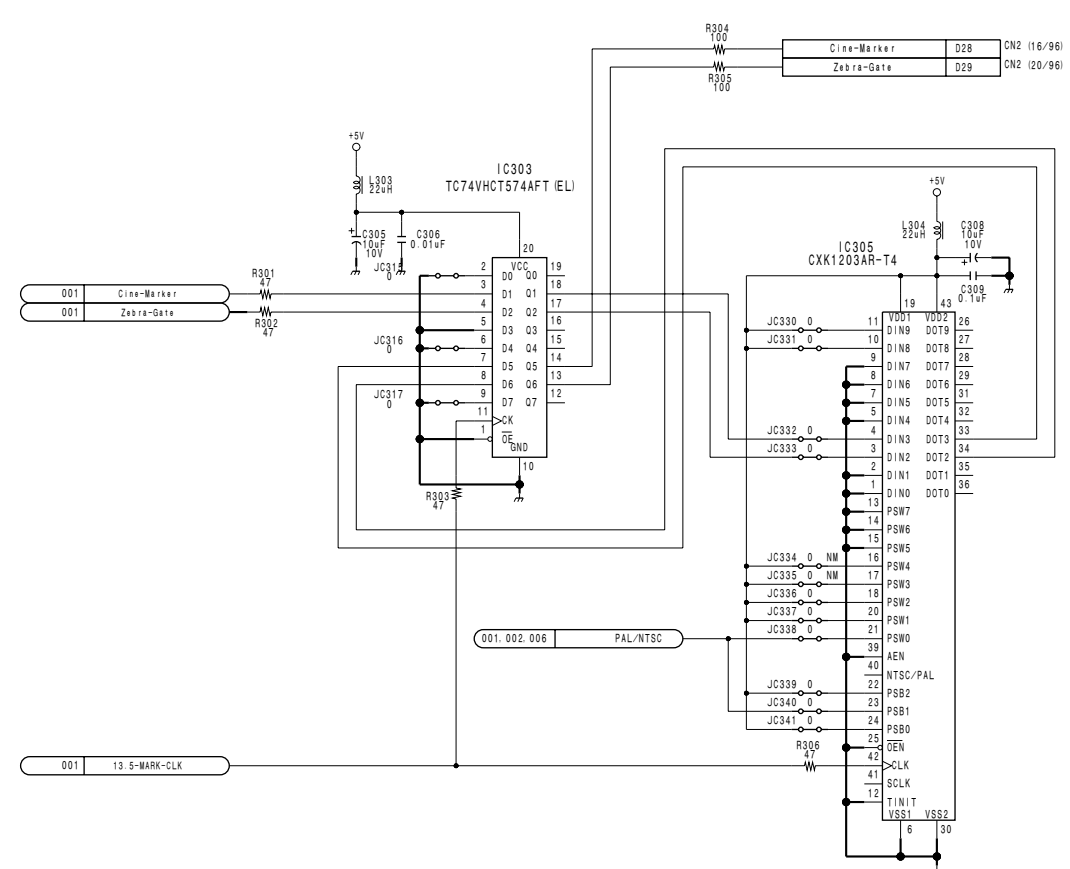
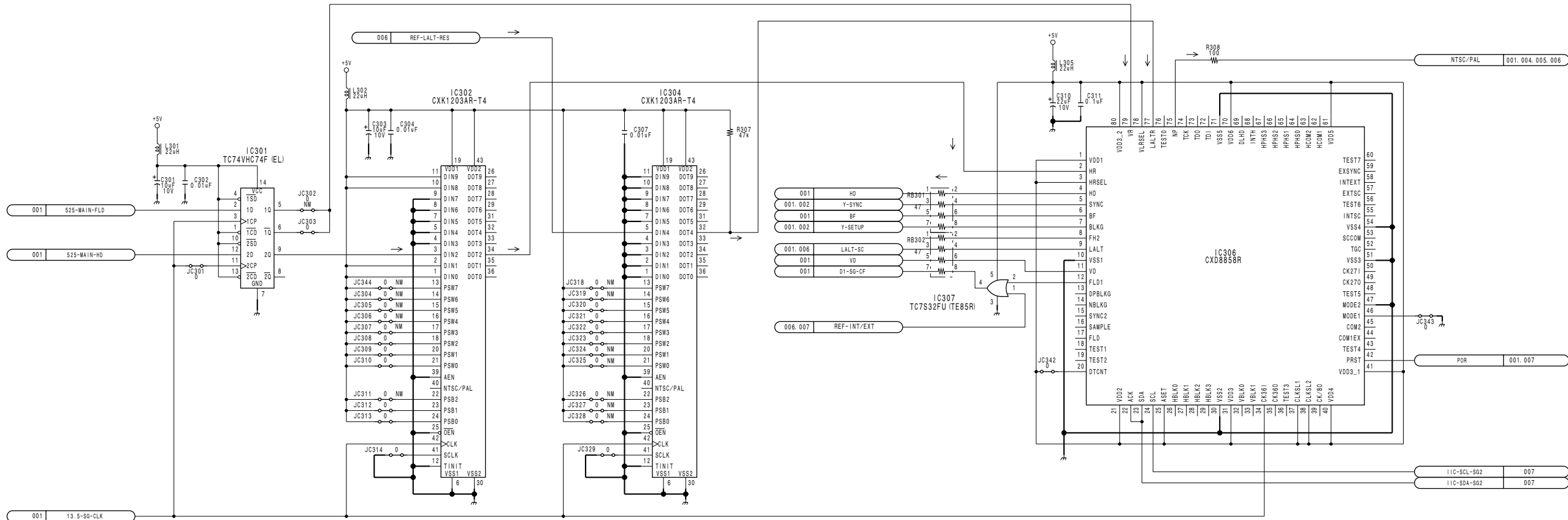
G

H





IF-789 (2/7)
 BOARD SUFFIX : -12
 LOT NO. 004-
 HKUC-901_IF-789_004_2



IF-789 (0)-3R

IF-789 (0)-3R

IF-789 (3/7)
 BOARD SUFFIX : -12
 LOT NO. 004-
 HKCU-901_IF-789_004_3

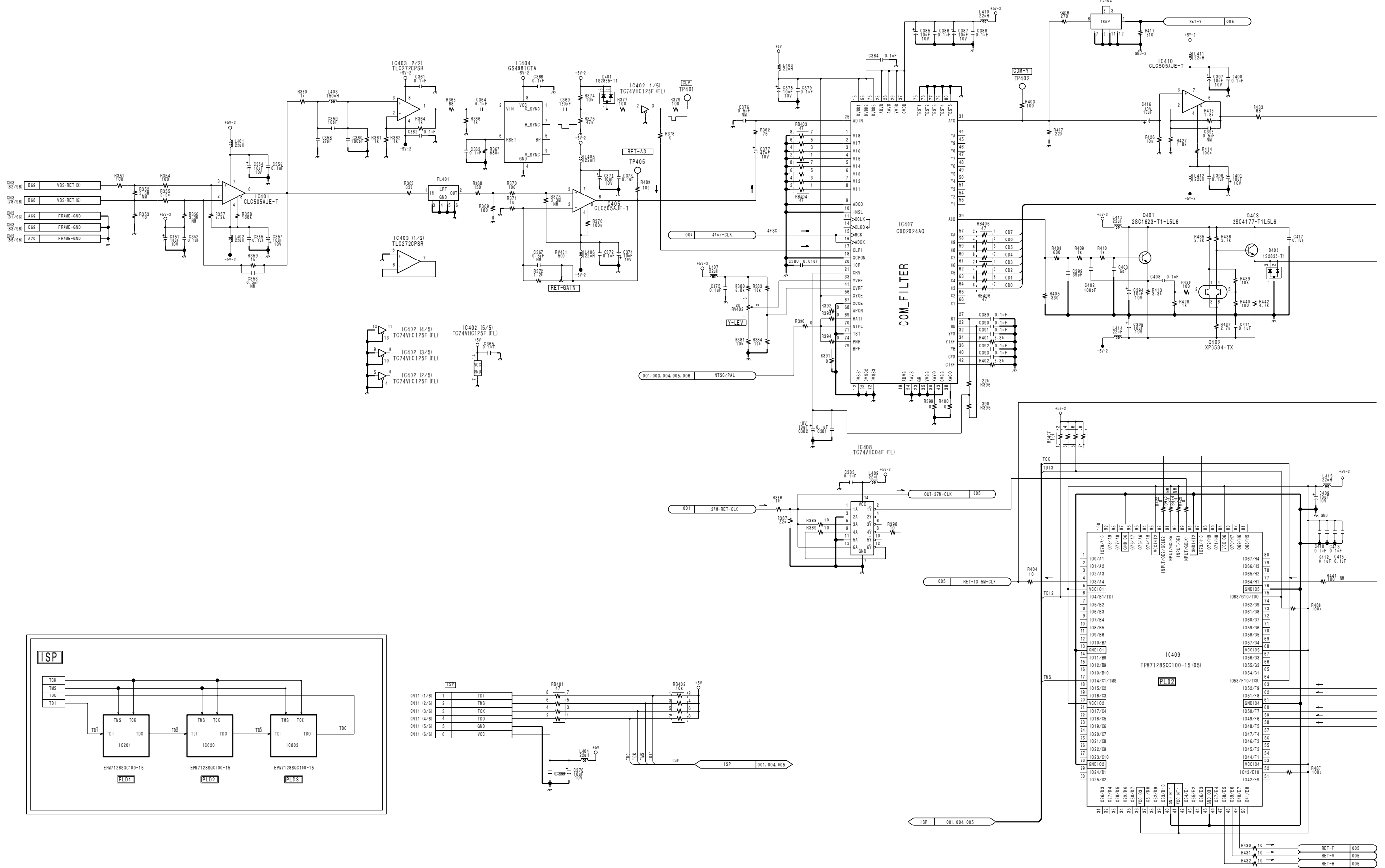
1

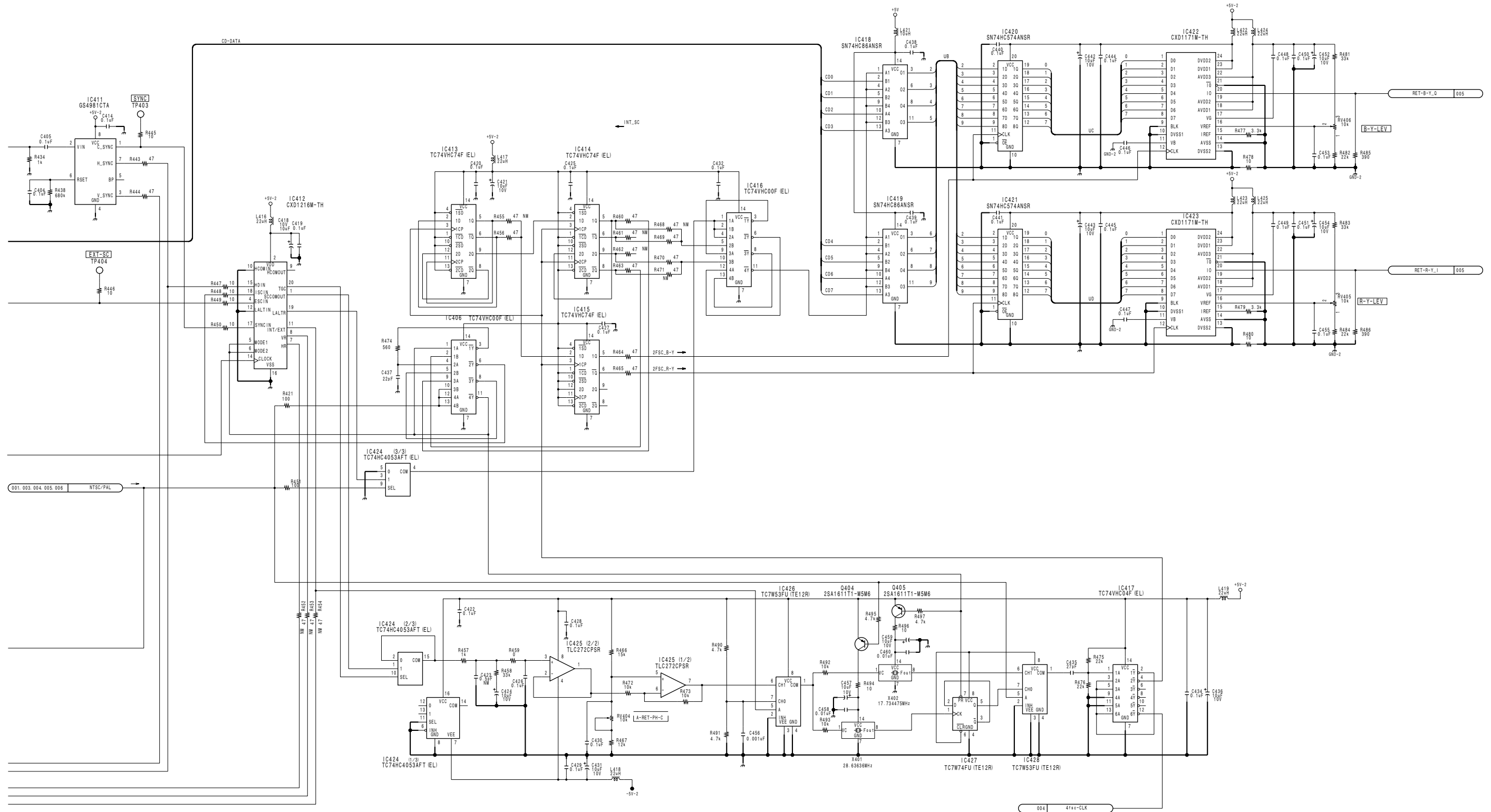
2

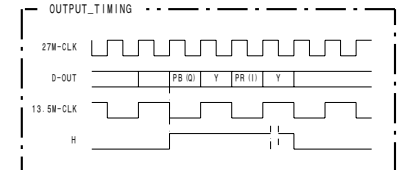
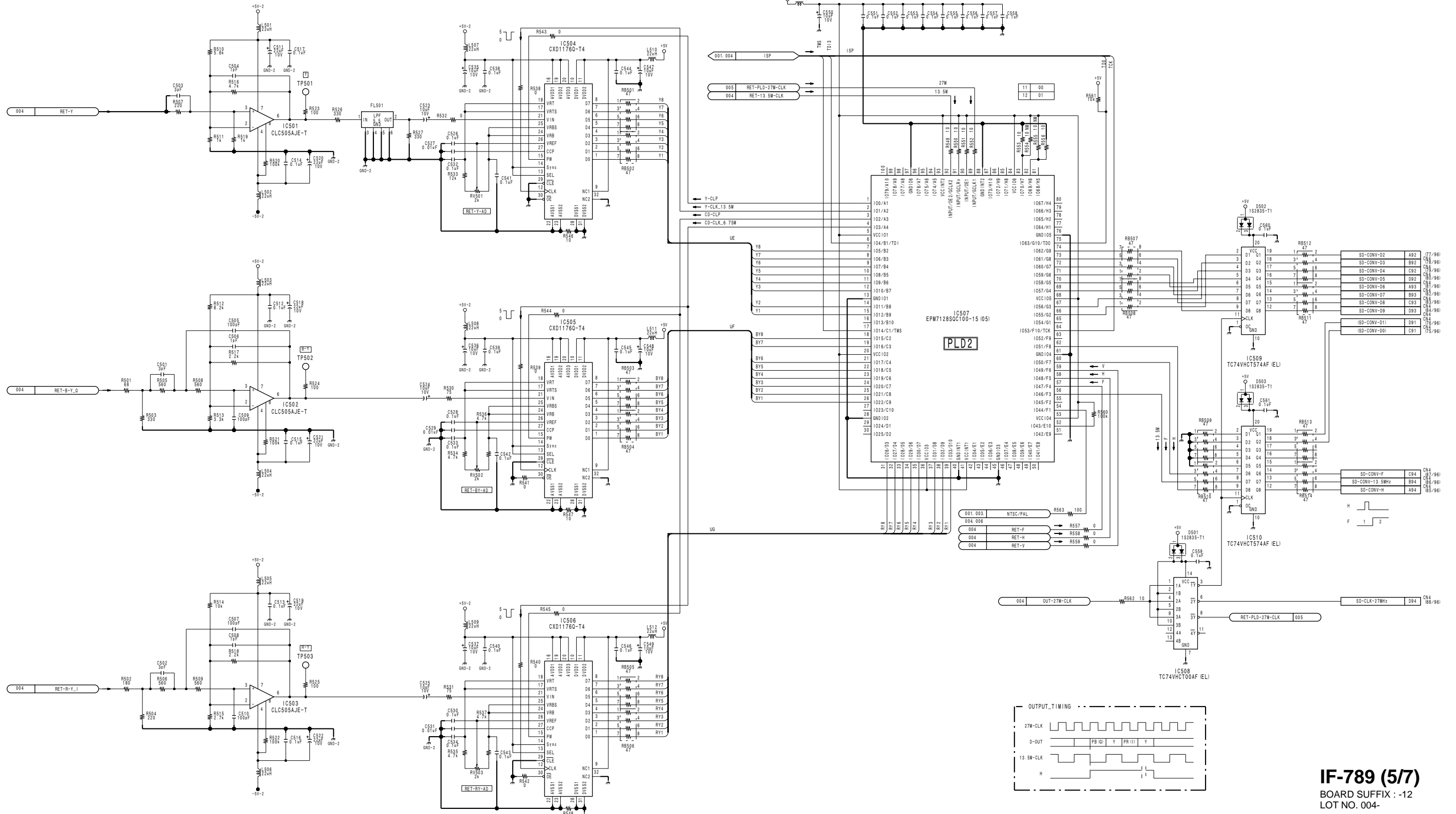
3

4

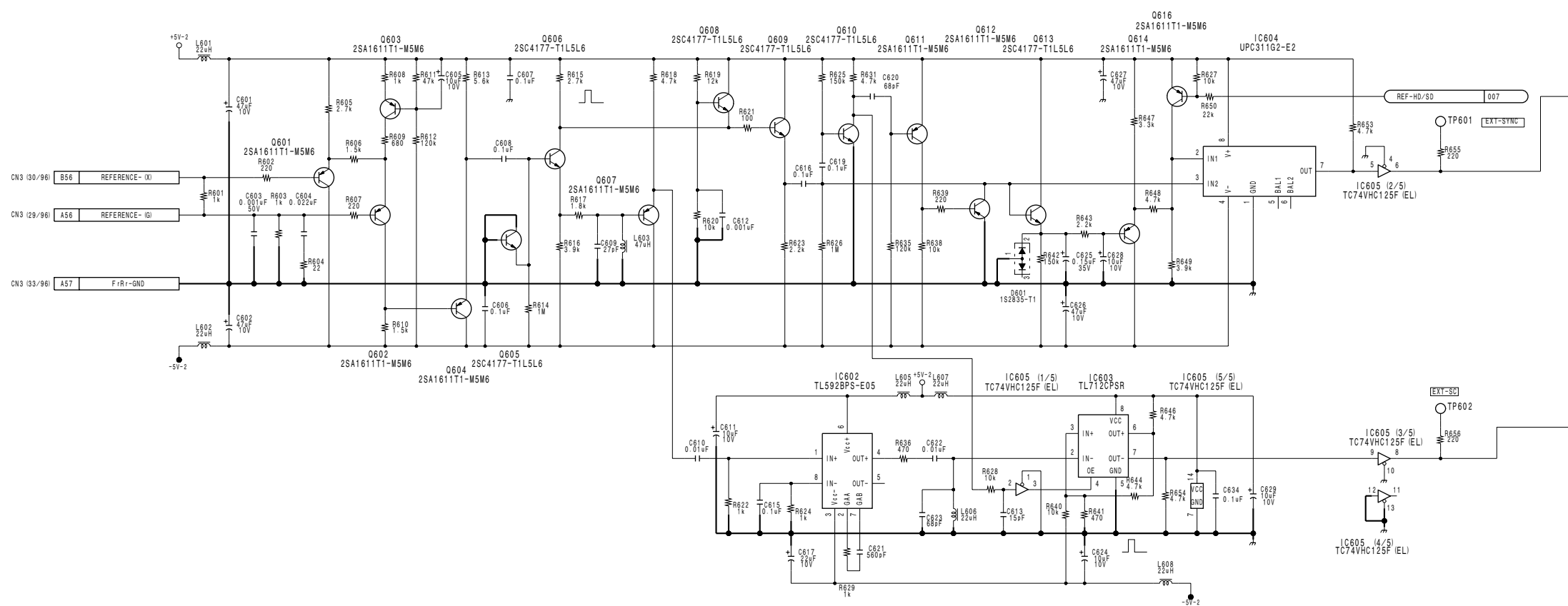
5







IF-789 (5/7)
 BOARD SUFFIX : -12
 LOT NO. 004-
 HKCU-901_IF-789_004_5



IF-789 (0)-6L

IF-789 (0)-6L

A

B

C

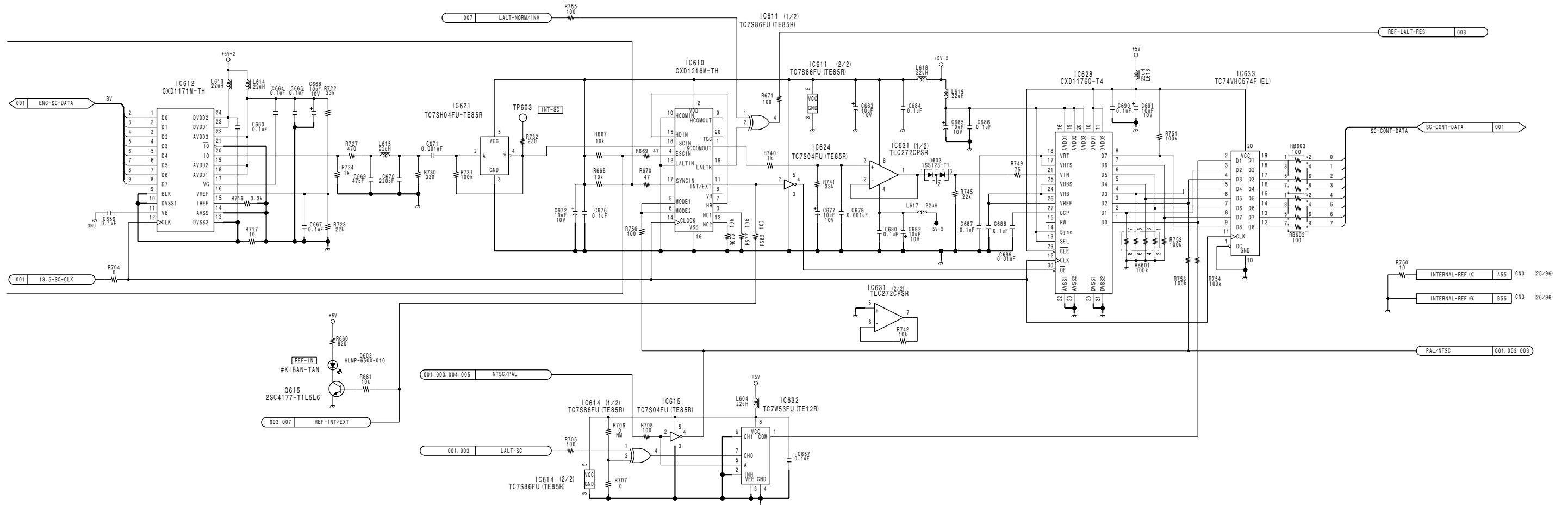
D

E

F

G

H



IF-789 (6/7)
 BOARD SUFFIX : -12
 LOT NO. 004-
 HKCU-901_IF-789_004_6

1

2

3

4

5

