



Display

# Broadcast Products Technical Bulletin 20-2007-099

DATE: May 28, 2007

SUBJECT: BOW-SHAPED SEAM IN RIGHT SIDE OF SCREEN

MODEL: ***BVM-D14H1A***  
***BVM-D14H1E***  
***BVM-D14H1U***  
***BVM-D14H5A***  
***BVM-D14H5E***  
***BVM-D14H5U***

SERIAL NO: ALL

*Italicized information in green applies to customers outside the United States.*

## DESCRIPTION

A bow-shaped seam may be visible in the right side of the screen under the following conditions:

- The BRIGHT control is reduced to a very low level for evaluation conditions.
- The all white video signal is displayed.
- The screen is viewed in a darkened room.

## PARTS REQUIRED

Part No.	Description	Qty.
1-412-520-11	Ferrite Bead Core, 3.9 $\mu$ H	1

## ORDERING INFORMATION

To order parts online, go to: <http://www.sony.com/servicesplus>. For service and parts ordering information, refer to the following document, which lists all contact telephone numbers:

Technical Bulletin 00-1999-000

## MODIFICATION PROCEDURE

### G Board (Side A, Zone G-7)

Replace FB2501 with a new 3.9  $\mu$ H ferrite bead. (See Figure 1.)

**NOTE:** Do not use a ferrite bead with an inductance higher than 3.9  $\mu$ H; otherwise, a ringing effect may appear on the display.

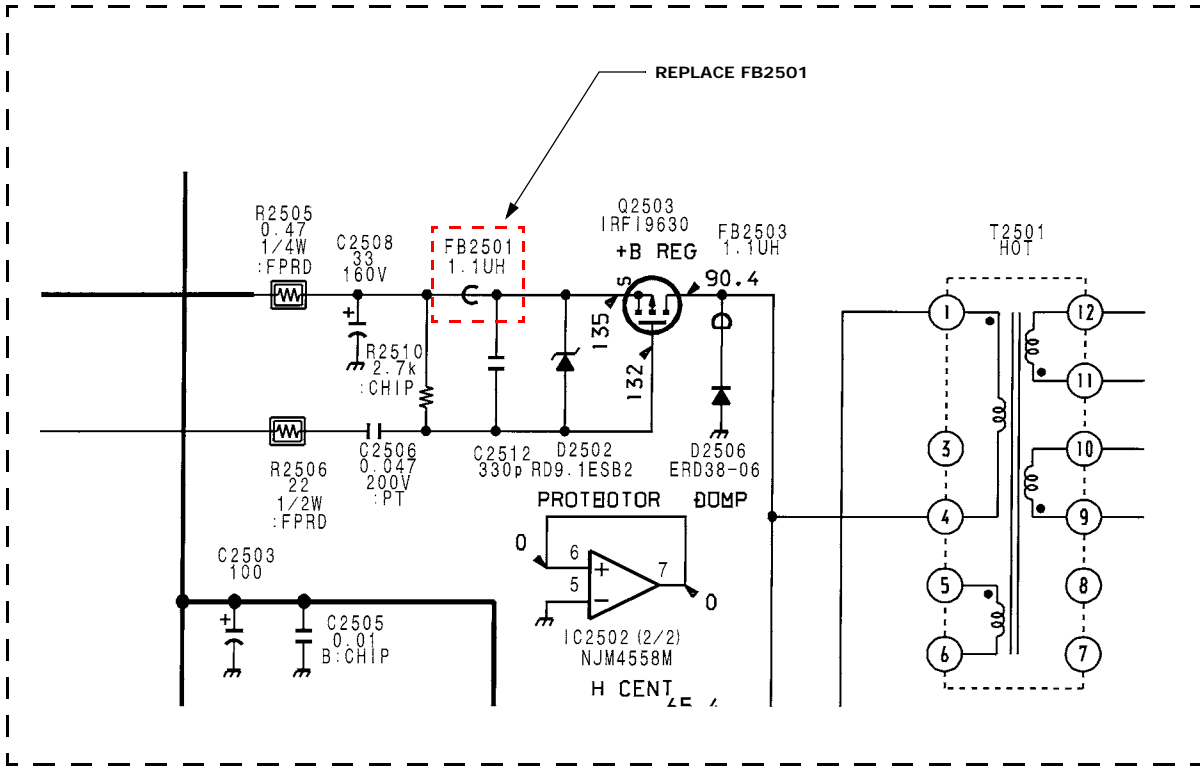


Figure 1