



Display

Date: **September 20, 1999**

Subject: **RESTORING WHITE BALANCE**

Model: **BVM-8044QD, PVM-5041Q, PVM-8040  
 PVM-8041Q, PVM-8043MD, PVM-8044Q  
 SSM-8040**

Serial No: **ALL**

**DESCRIPTION**

If the insulation for transistors Q149, Q152 and Q155 on the B board is insufficient and current leakage occurs, white balance may not be achieved when the CRT is replaced.

To correct this condition, perform the following modification.

**NOTE:** This modification requires RTV silicone, part number 7-322-065-72.

**MODIFICATION PROCEDURE**

**B Board**

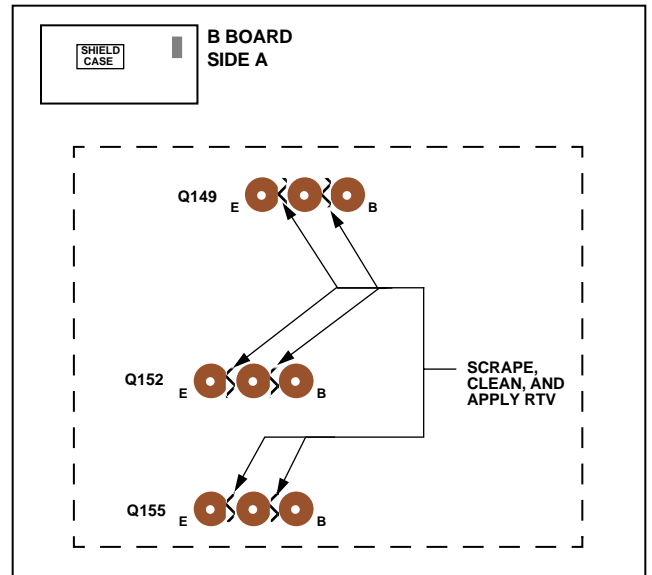
**Side A, Zones A-9, B-9 (See Figure 1.)**

**Side B, Zones A-2, B-1 (See Figure 2.)**

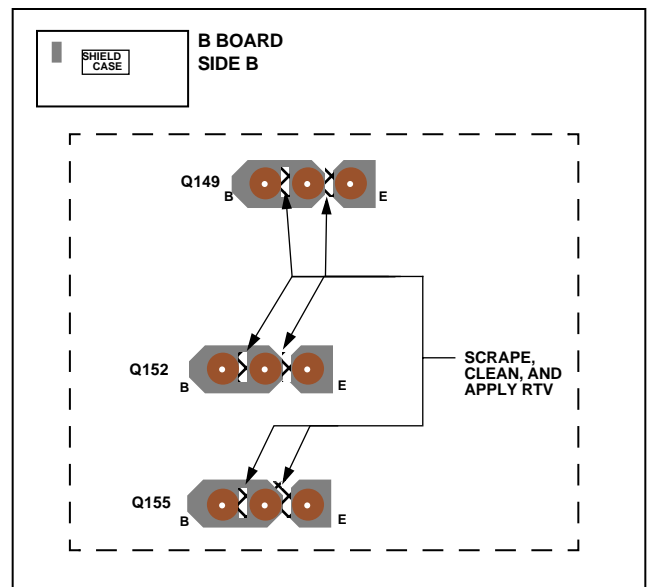
1. *Carefully* scrape with knife areas between collector and emitter and between collector and base of Q149, Q152 and Q155 as shown.

**NOTE:** Be careful not to cut any traces in the vicinity.

2. Clean scraped areas.
3. Apply RTV to scraped areas.
4. Readjust white balance.



**Figure 1**



**Figure 2**