

Display

Date: **October 26, 1992**

Subject: **COMPONENT VALUES FOR CP800 AND CP801**

Model: **BVM-8021/9021**

Serial No: **ALL**

DESCRIPTION

The component values for CP800 and CP801 on the DA board are shown in Figures 1 and 2.

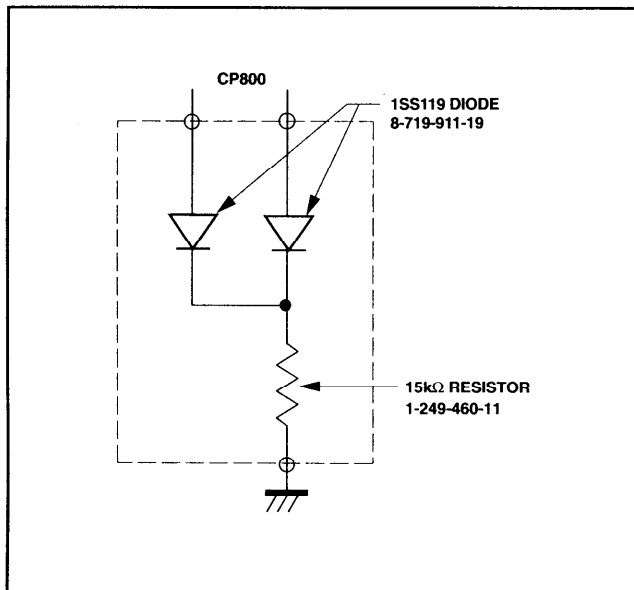


Figure 1

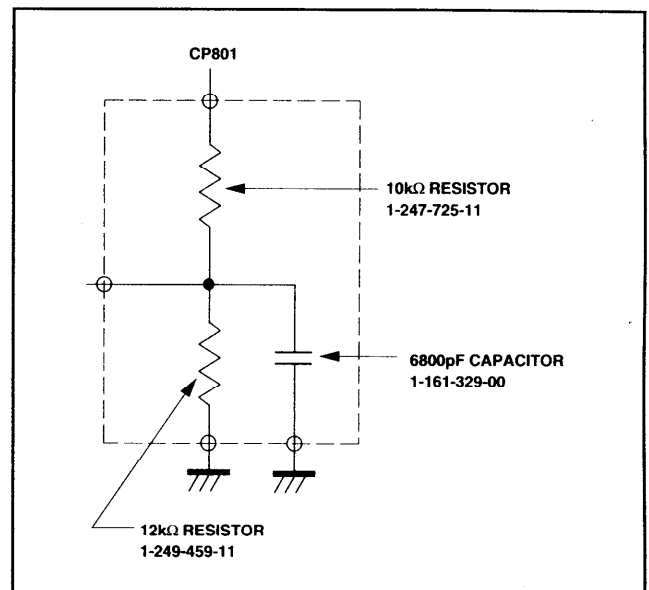


Figure 2