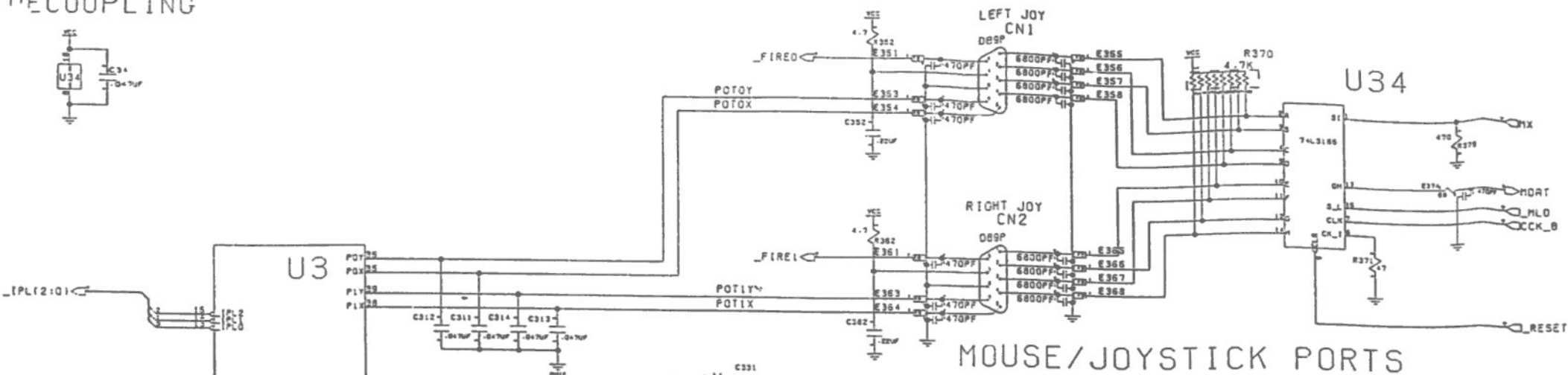
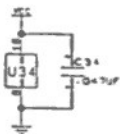
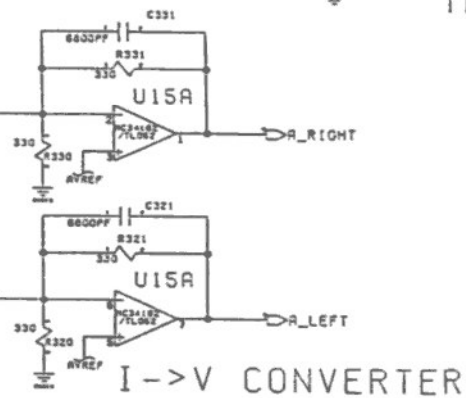
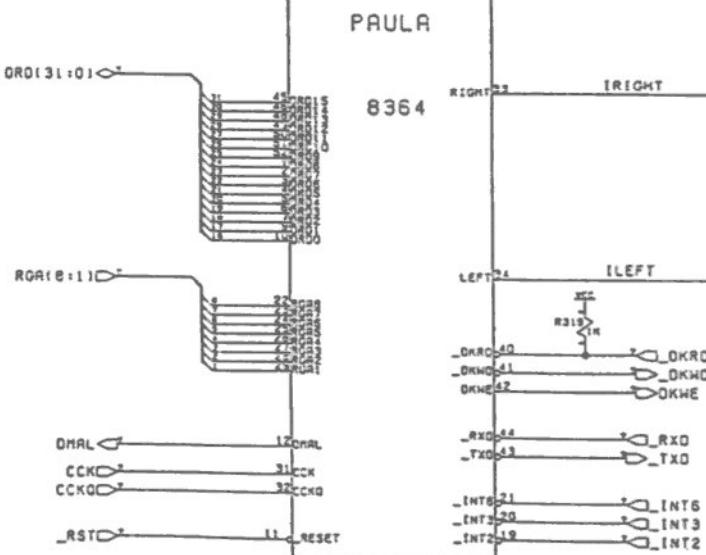


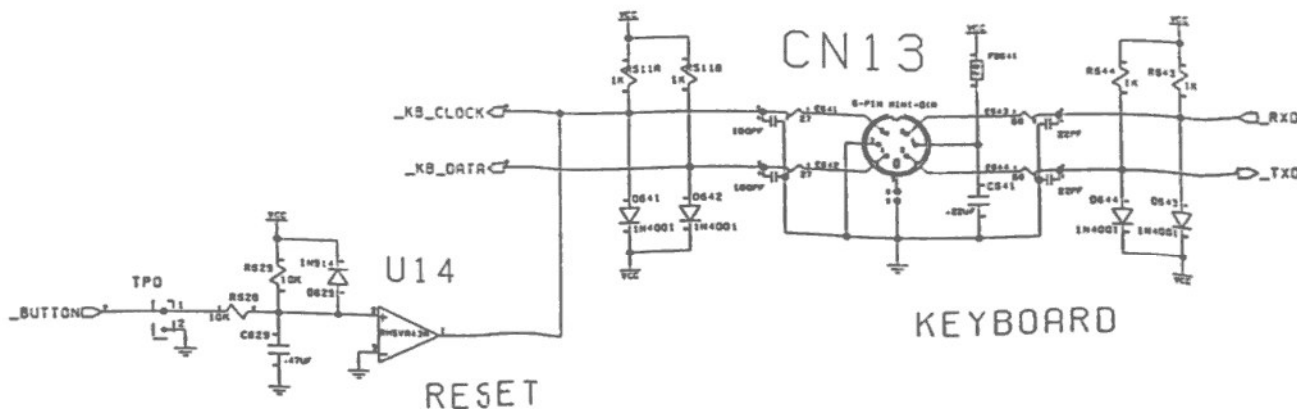
DECOUPLING



MOUSE/JOYSTICK PORTS



I->V CONVERTER



KEYBOARD

RESET

CD/GS PLAYER PCB

PAULA PREFERS THE TRADITIONAL HOOPS

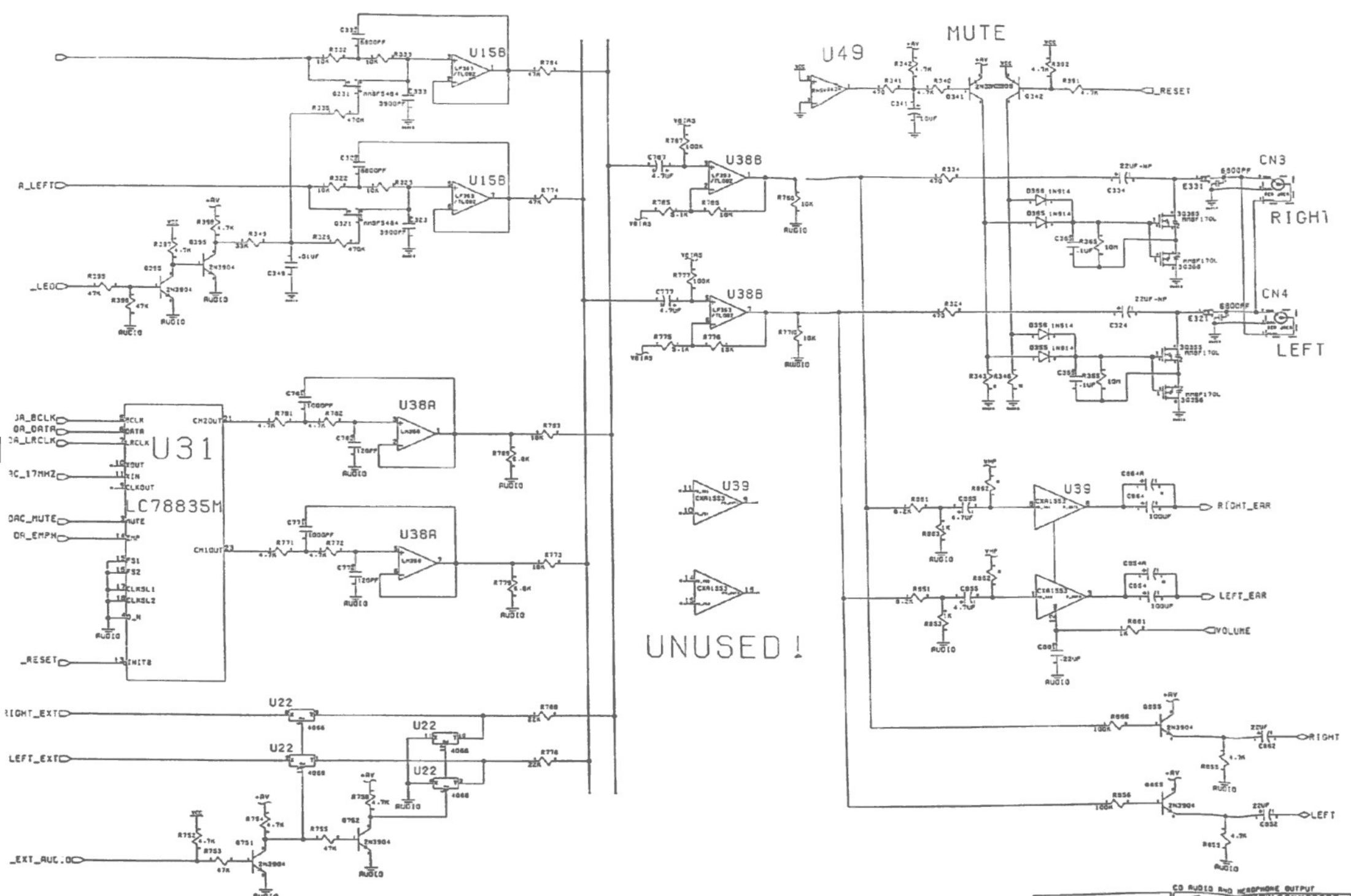
© 1991 Commodore Business Machines Corporation. All rights reserved. Commodore and PAULA are registered trademarks of Commodore Business Machines Corporation. All other trademarks are the property of their respective owners.

C.A.G. GENERATED

SCALE: 1:1

DATE: 11/11/91

PCB: 1365100

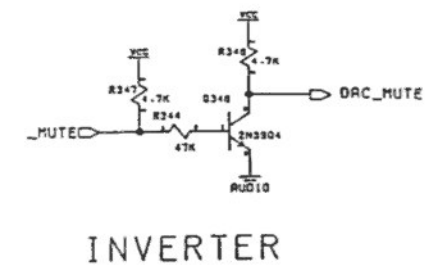
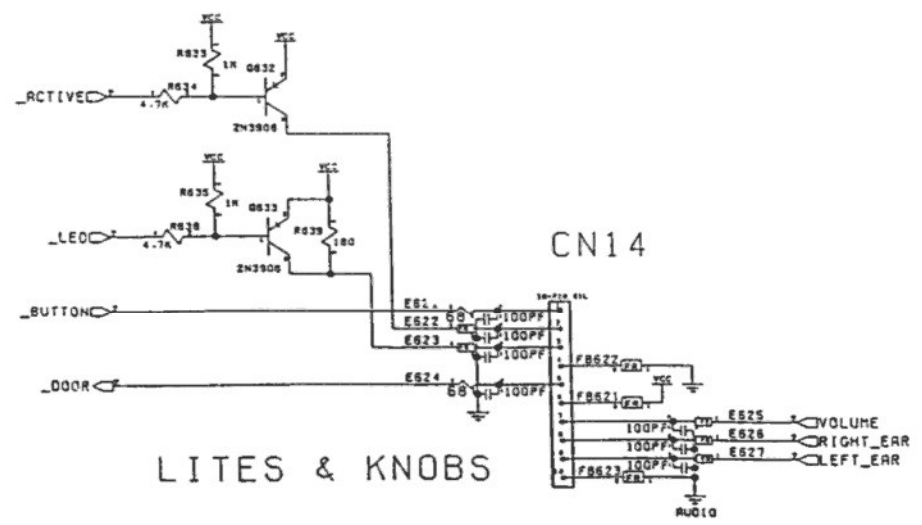
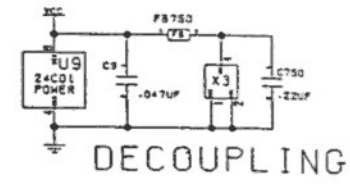
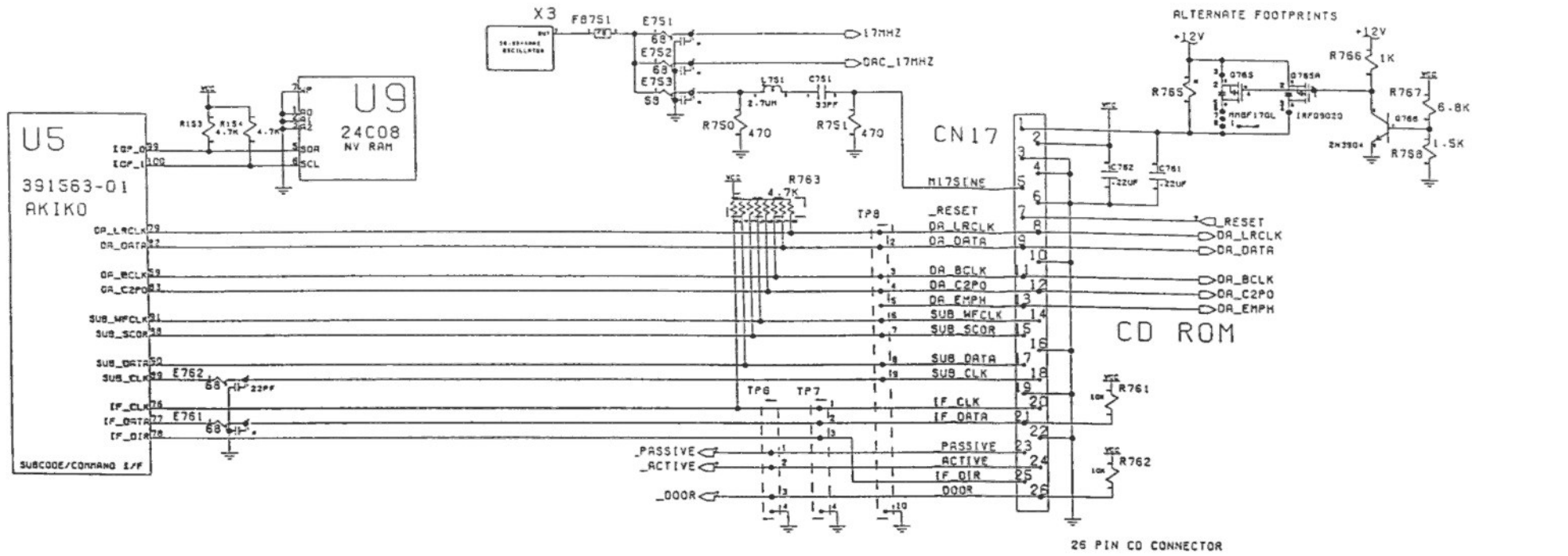


CD/GS PLAYER PCB

CD AUDIO AND HEADPHONE OUTPUT

© 1995 SONY ELECTRONIC CORPORATION. ALL RIGHTS RESERVED. THIS PRODUCT IS A TRADEMARK OF SONY ELECTRONIC CORPORATION.

SONY ELECTRONIC CORPORATION
1-365100



CD/GS PLAYER PCE

© 1988 Commodore Business Machines Corporation. Commodore and the Commodore logo are registered trademarks of Commodore Business Machines Corporation. Commodore Business Machines Corporation is not responsible for the use of this information for any purpose other than that intended by Commodore Business Machines Corporation.

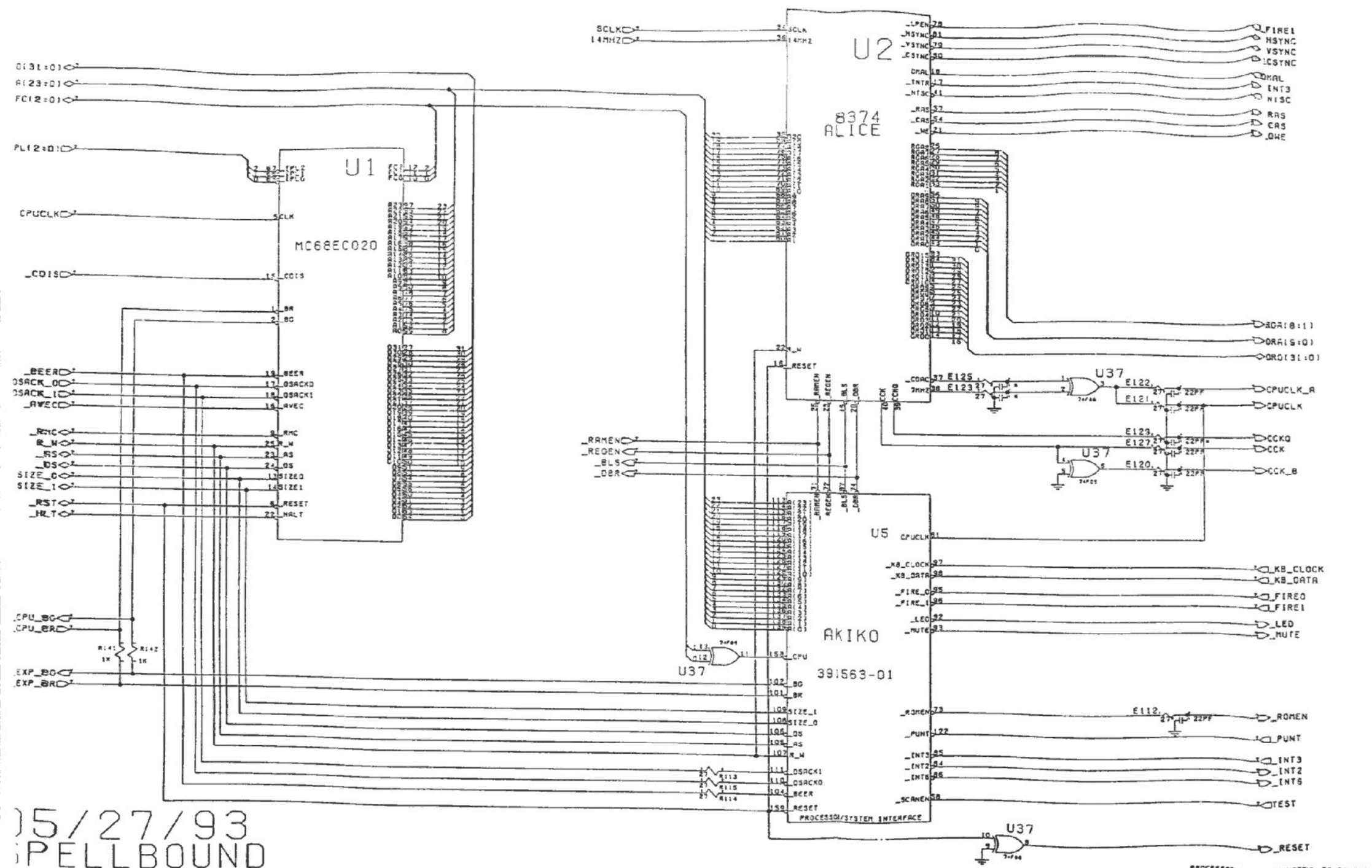
COMMODORE

SCHEMATIC CD/GS PCE

1365100 F

1365100 F

1365100 F



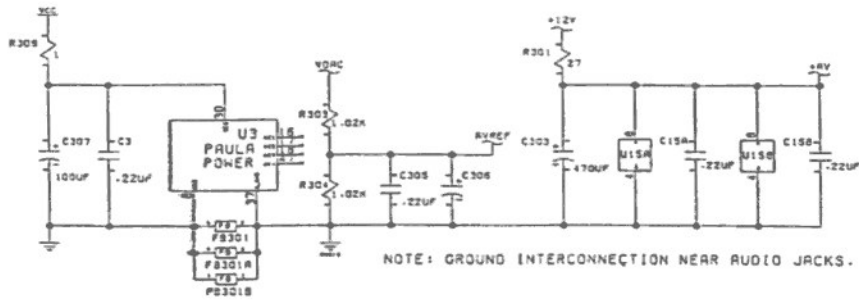
05/27/93
 IPPELLBOUND
 CD/GS PLAYER PCB

NOTE: VARIOUS COMPONENTS ARE FOR EMI CONTROL
 AND MAY BE LOADED WITH FUNNY THINGS...

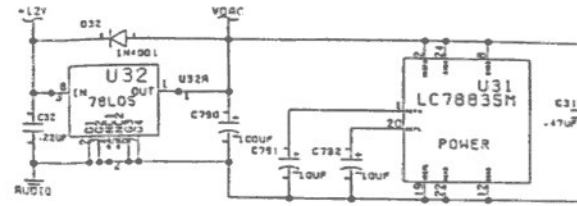
PROCESSOR AND OTHER USEFUL COMPONENTS

<p>© 1982 Commodore Business Machines Corporation. Licensee herein is the manufacturer, distributor, and those whose products are sold in conjunction with this computer system. All other trademarks are the property of their respective owners.</p> <p>COMMODORE 1525 1545 1565 1585 1605 1625 1645 1665 1685 1705 1725 1745 1765 1785 1805 1825 1845 1865 1885 1905 1925 1945 1965 1985 2005</p>	<p>COMMODORE 64/65 REV. 1 SYSTEM PLATE 1365100 SCALE: 1:1 SHEET 2 OF 10</p>
---	---

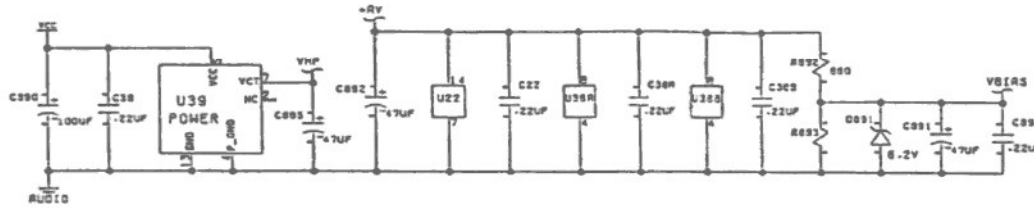
PAULA/AUDIO DECOUPLING



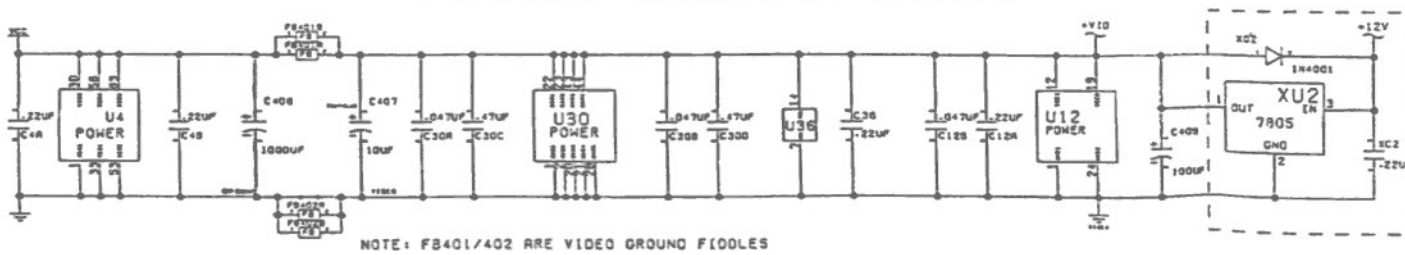
CD/AUDIO DAC DECOUPLING



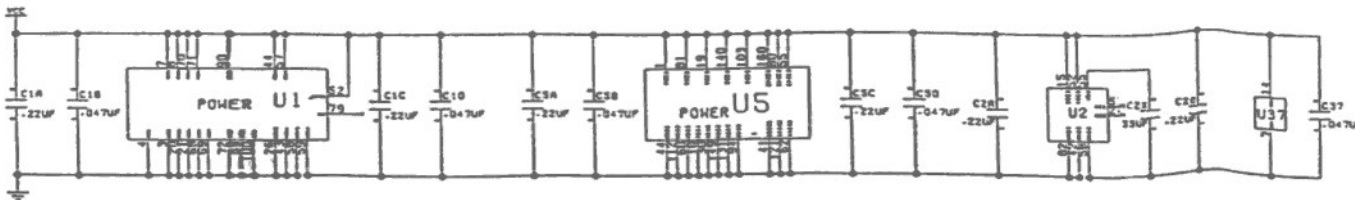
HEADPHONE/AUDIO DECOUPLING



VIDEO DECOUPLING

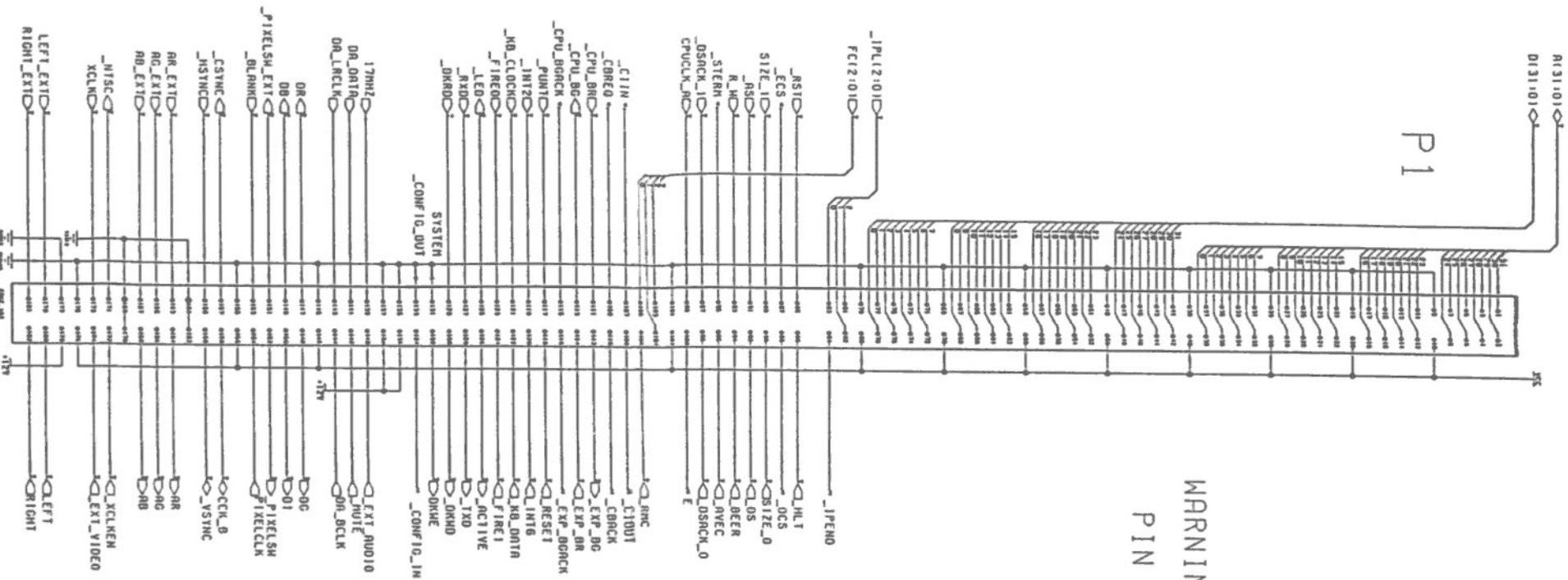


PROCESSOR/GATOR/ALICE DECOUPLING



CD/GS PLAYER PCB

EXPANSION CONNECTOR



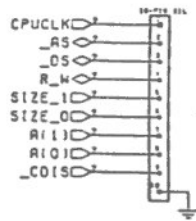
WARNING:
PIN NUMBERS ARE BACKWARDS

© 1992 CONROCK MATERIAL SERVICES, INC. All rights reserved. This document is the property of Conrock Material Services, Inc. and is to be used only for the specific project for which it was prepared. No other use is permitted without the express written consent of Conrock Material Services, Inc.

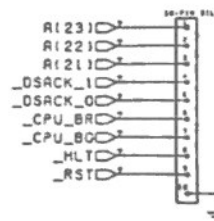
EXPANSION OR 19 17 PINS/17951 DEC1992

CONROCK

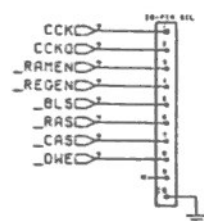
365100



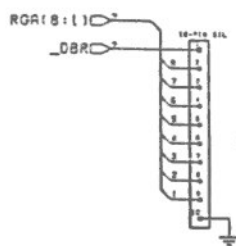
TP1



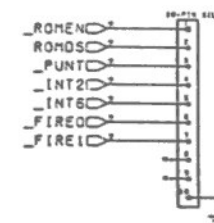
TP2



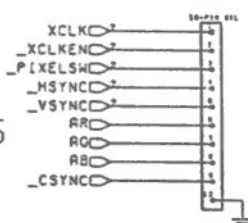
TP3



TP4



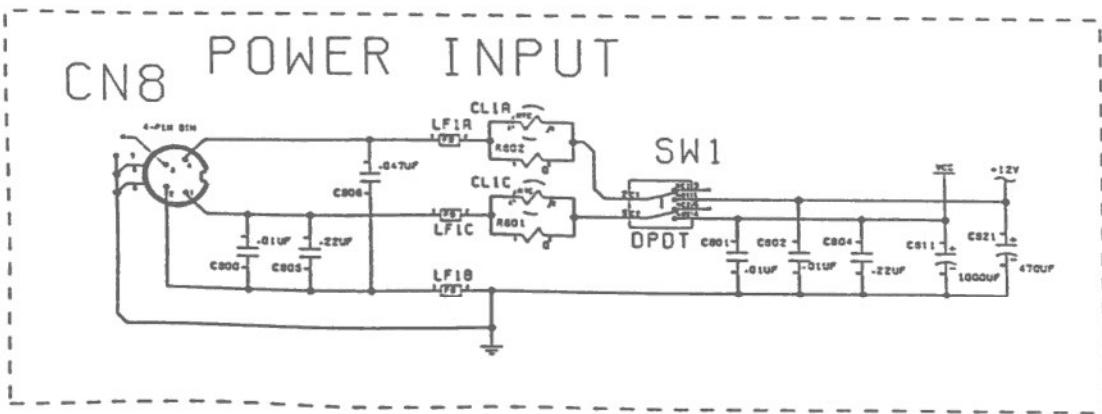
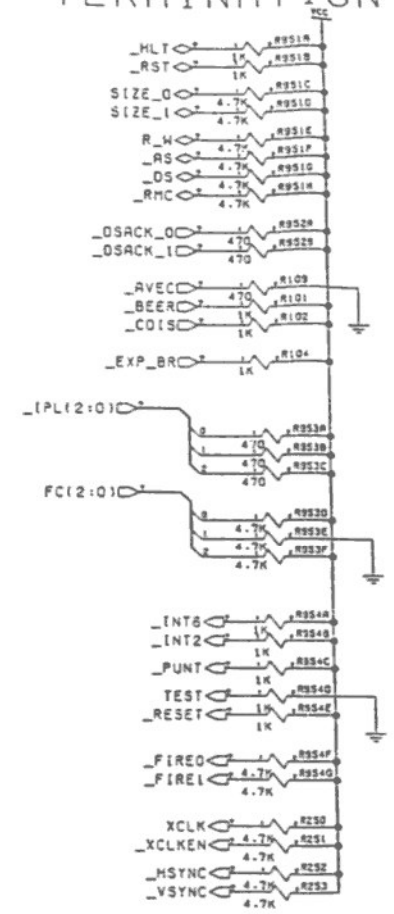
TP5



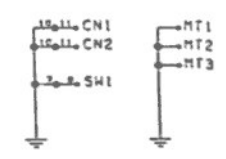
TP9

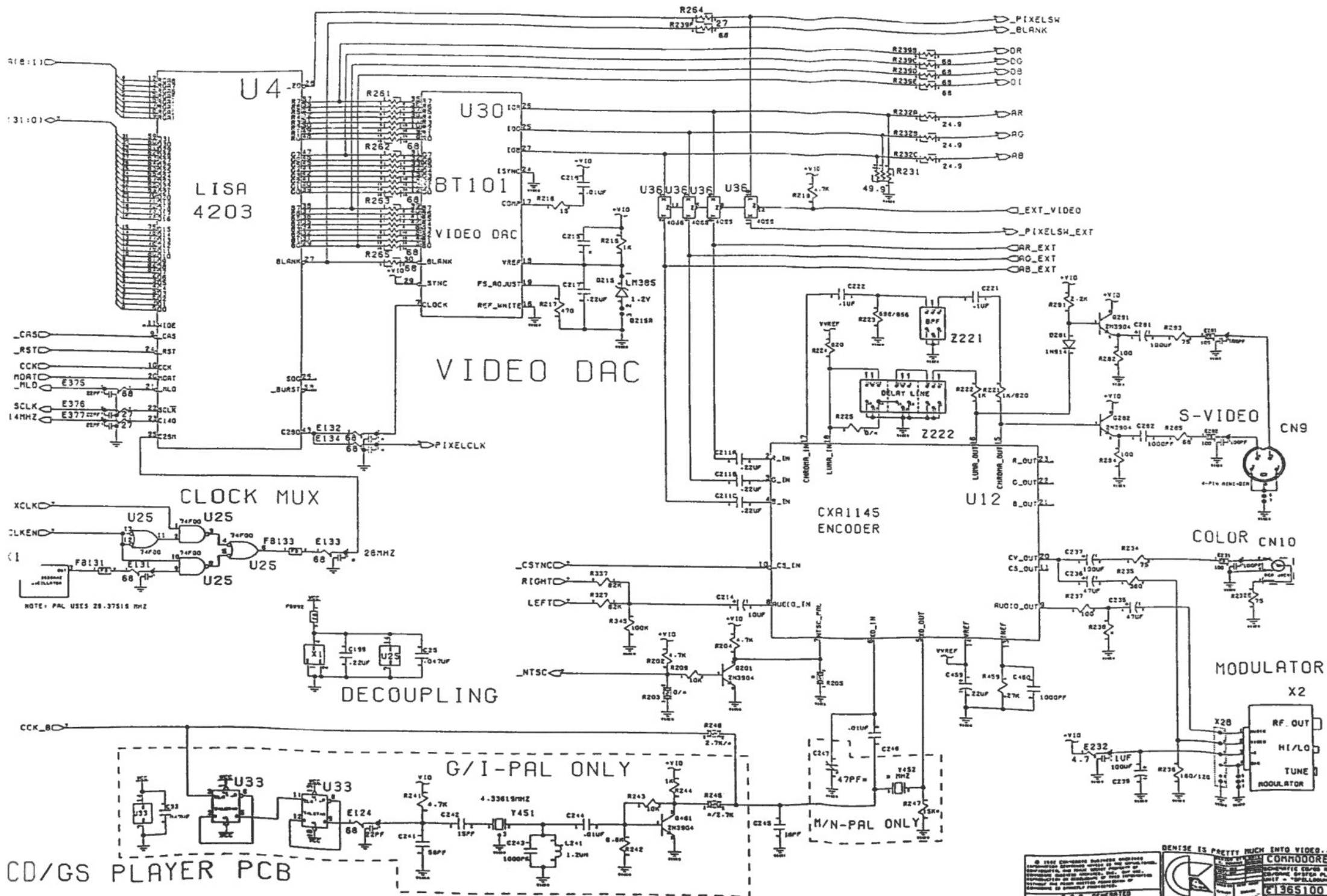
TEST ACCESS

TERMINATION



HOLES & C.





LISA
4203

VIDEO DAC

VIDEO DAC

CLOCK MUX

DECOUPLING

G/I-PAL ONLY

CX1145
ENCODER

S-VIDEO

COLOR CN10

MODULATOR

X2

CD/GS PLAYER PCB

© 1985 Commodore Business Machines Corporation. Commodore and the Commodore logo are registered trademarks of Commodore Business Machines Corporation. Commodore 64 is a registered trademark of Commodore Business Machines Corporation. Commodore 64 is a registered trademark of Commodore Business Machines Corporation.

COMODORE

365100V

REVISION 1.0

DATE: 11/85

SHEET 6 OF 6