



Display

## Broadcast Products Technical Bulletin 20-2008-064

DATE: **March 24, 2008**SUBJECT: **MANUAL CORRECTION—VT CONNECTOR  
ASSEMBLY IN POWER UNIT**

MODEL: ***BVM-D9H1A***  
***BVM-D9H1E***  
**BVM-D9H1U**  
***BVM-D9H5A***  
***BVM-D9H5E***  
**BVM-D9H5U**

**DESCRIPTION**

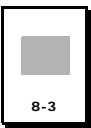
Correct the following manual as shown in Figure 1.

*BVM-D9H1A, BVM-D9H1E, BVM-D9H1U, BVM-D9H5A,  
BVM-D9H5E, BVM-D9H5U Maintenance Manual, 1<sup>st</sup> Edition*

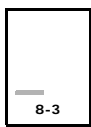
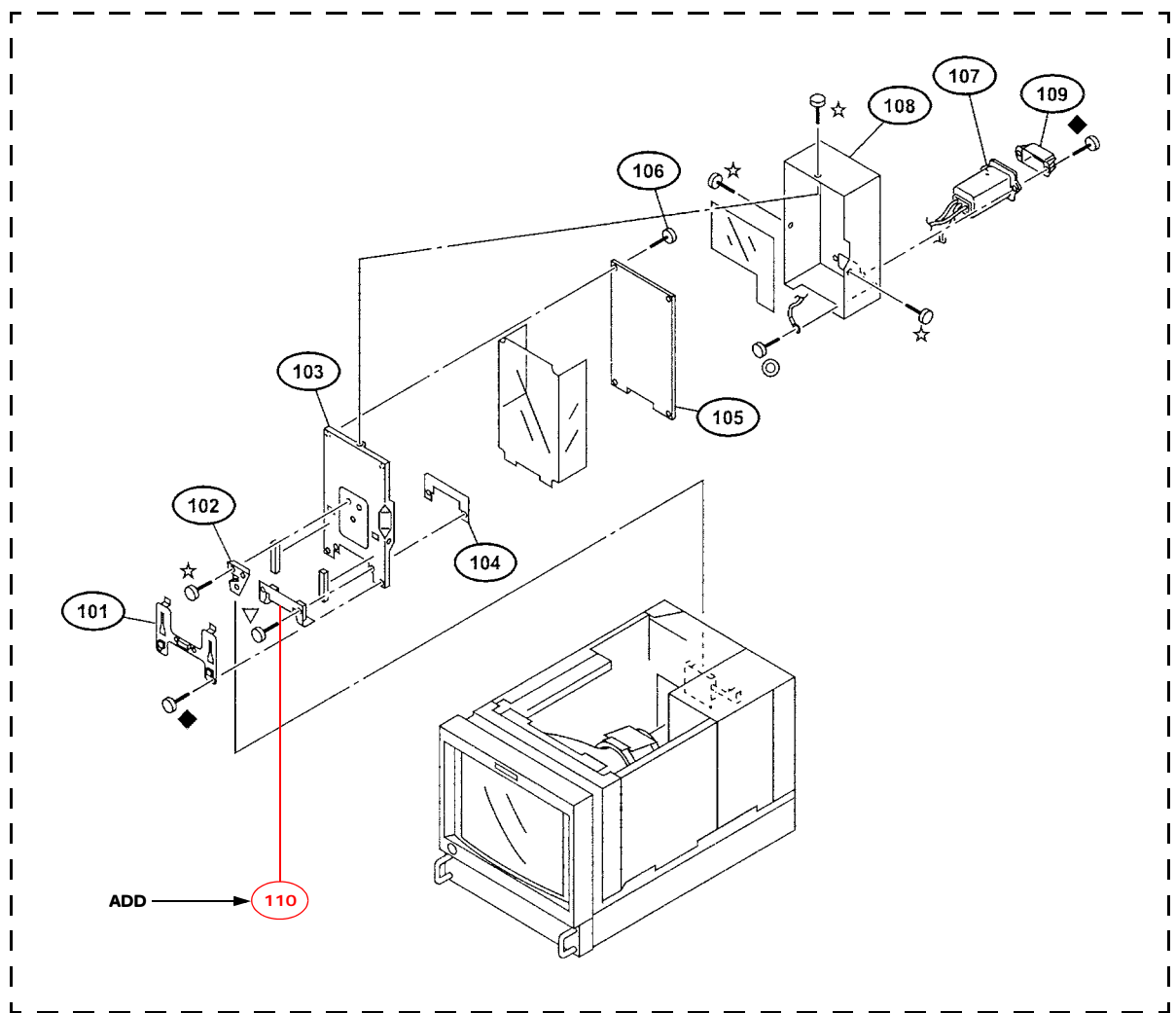
SERIAL NO: **ALL**

*Italicized information in green applies to  
customers outside the United States.*

DPM007-017



SECTION 8 EXPLODED VIEWS  
8-3. POWER UNIT



No.	Part No.	SP	Description
ADD → 110	1-900-248-31		VT CONNECTOR ASSEMBLY (G) HARNESS

Figure 1