

Professional Video Monitor

Operating Instructions

Before operating the unit, please read this manual thoroughly and retain it for future reference.

LMD-A240

LMD-A220

LMD-A170

Software Version 1.1

HDMI

Owner's Record

The model and serial numbers are located at the rear. Record these numbers in the spaces provided below. Refer to these numbers whenever you call upon your Sony dealer regarding this product.

Model No. _____
Serial No. _____

Important Safety Instructions

- Read these instructions.
- Keep these instructions.
- Heed all warnings.
- Follow all instructions.
- Do not use this apparatus near water.
- Clean only with dry cloth.
- Do not block any ventilation openings. Install in accordance with the manufacturer's instructions.
- Do not install near any heat sources such as radiators, heat registers, stoves, or other apparatus (including amplifiers) that produce heat.
- Do not defeat the safety purpose of the polarized or grounding-type plug. A polarized plug has two blades with one wider than the other. A grounding-type plug has two blades and a third grounding prong. The wide blade or the third prong are provided for your safety. If the provided plug does not fit into your outlet, consult an electrician for replacement of the obsolete outlet.
- Protect the power cord from being walked on or pinched particularly at plugs, convenience receptacles, and the point where they exit from the apparatus.
- Only use attachments/accessories specified by the manufacturer.
- Use only with the cart, stand, tripod, bracket, or table specified by the manufacturer, or sold with the apparatus. When a cart is used, use caution when moving the cart/apparatus combination to avoid injury from tip-over.
- Unplug this apparatus during lightning storms or when unused for long periods of time.
- Refer all servicing to qualified service personnel. Servicing is required when the apparatus has been damaged in any way, such as power-supply cord or plug is damaged, liquid has been spilled or objects have fallen into the apparatus, the apparatus has been exposed to rain or moisture, does not operate normally, or has been dropped.



WARNING

To reduce the risk of fire or electric shock, do not expose this apparatus to rain or moisture.

To avoid electrical shock, do not open the cabinet. Refer servicing to qualified personnel only.

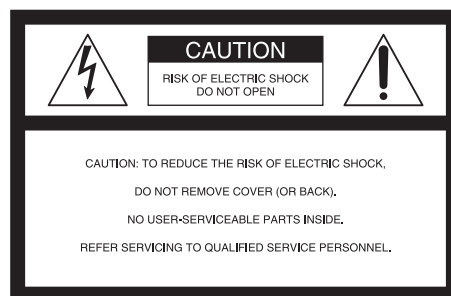
THIS APPARATUS MUST BE EARTHED.

WARNING

When installing the unit, incorporate a readily accessible disconnect device in the fixed wiring, or connect the power plug to an easily accessible socket-outlet near the unit. If a fault should occur during operation of the unit, operate the disconnect device to switch the power supply off, or disconnect the power plug.

CAUTION

This Professional Video Monitor should only be used with a specified monitor stand. For information on suitable stands, refer to "Specifications." Installation of the Professional Video Monitor on any other stand may result in instability, possibly leading to injury.



This symbol is intended to alert the user to the presence of uninsulated "dangerous voltage" within the product's enclosure that may be of sufficient magnitude to constitute a risk of electric shock to persons.



This symbol is intended to alert the user to the presence of important operating and maintenance (servicing) instructions in the literature accompanying the appliance.

Attention-when the product is installed in Rack: (For LMD-A220/A170)

1. Prevention against overloading of branch circuit

When this product is installed in a rack and is supplied power from an outlet on the rack, please make sure that the rack does not overload the supply circuit.

2. Providing protective earth

When this product is installed in a rack and is supplied power from an outlet on the rack, please confirm that the outlet is provided with a suitable protective earth connection.

3. Internal air ambient temperature of the rack

When this product is installed in a rack, please make sure that the internal air ambient temperature of the rack is within the specified limit of this product.

4. Prevention against achieving hazardous condition due to uneven mechanical loading

When this product is installed in a rack, please make sure that the rack does not achieve hazardous condition due to uneven mechanical loading.

5. Install the equipment while taking the operating temperature of the equipment into consideration

For the operating temperature of the equipment, refer to the specifications of the Operation Manual.

6. When performing the installation, keep the following space away from walls in order to obtain proper exhaust and radiation of heat.

Lower, Upper: 4.4 cm (1 3/4 inches) or more
Right, Left: 1.0 cm (3/8 inches) or more

CAUTION

The apparatus shall not be exposed to dripping or splashing. No objects filled with liquids, such as vases, shall be placed on the apparatus.

CAUTION

The unit is not disconnected from the AC power source (mains) as long as it is connected to the wall outlet, even if the unit itself has been turned off.

WARNING

Excessive sound pressure from earphones and headphones can cause hearing loss.

In order to use this product safely, avoid prolonged listening at excessive sound pressure levels.

Consult with Sony qualified personnel for wall mount and rack mount installation.

WARNING: THIS WARNING IS APPLICABLE FOR USA ONLY.

If used in USA, use the UL LISTED power cord specified below.

DO NOT USE ANY OTHER POWER CORD.

Plug Cap	Parallel blade with ground pin (NEMA 5-15P Configuration)
Cord	Type SJT or SVT, three 16 or 18 AWG wires
Length	Minimum 1.5 m (4 ft 11 in), Less than 2.5 m (8 ft 3 in)
Rating	Minimum 10A, 125V

Using this unit at a voltage other than 120V may require the use of a different line cord or attachment plug, or

both. To reduce the risk of fire or electric shock, refer servicing to qualified service personnel.

WARNING: THIS WARNING IS APPLICABLE FOR OTHER COUNTRIES.

1. Use the approved Power Cord (3-core mains lead) / Appliance Connector / Plug with earthing-contacts that conforms to the safety regulations of each country if applicable.
2. Use the Power Cord (3-core mains lead) / Appliance Connector / Plug conforming to the proper ratings (Voltage, Ampere).

If you have questions on the use of the above Power Cord / Appliance Connector / Plug, please consult a qualified service personnel.

For the customers in the U.S.A.

This equipment has been tested and found to comply with the limits for a Class A digital device, pursuant to part 15 of the FCC Rules. These limits are designed to provide reasonable protection against harmful interference when the equipment is operated in a commercial environment. This equipment generates, uses and can radiate radio frequency energy and, if not installed and used in accordance with the instruction manual, may cause harmful interference to radio communications. Operation of this equipment in a residential area is likely to cause harmful interference in which case the user will be required to correct the interference at his own expense.

You are cautioned that any changes or modifications not expressly approved in this manual could void your authority to operate this equipment.

All interface cables used to connect peripherals must be shielded in order to comply with the limits for a digital device pursuant to Subpart B of part 15 of FCC Rules.

This device complies with part 15 of the FCC Rules. Operation is subject to the following two conditions: (1) This device may not cause harmful interference, and (2) this device must accept any interference received, including interference that may cause undesired operation.

For the customers in Canada

CAN ICES-3 (A)/NMB-3(A)

For the customers in Europe

This product is intended for use in the following Electromagnetic Environments: E1 (residential), E2 (commercial and light industrial), E3 (urban outdoors), E4 (controlled EMC environment, ex. TV studio).

For the customers in Europe, Australia and New Zealand

WARNING

This equipment is compliant with Class A of CISPR 32. In a residential environment this equipment may cause radio interference.

For LMD-A240

When installing the installation space must be secured in consideration of the ventilation and service operation.

- Do not block the ventilation slots at the rear panel, and vents of the fans.
- Leave a space around the unit for ventilation.
- Leave more than 40 cm of space in the rear of the unit to secure the operation area.

When the unit is installed on the desk or the like, leave at least 1U (4.4 cm) or more of space above and below the unit. Leaving 40 cm or more of space above the unit is recommended for service operation.

Disposal of Old Electrical & Electronic Equipment (Applicable in Republic of India)



This symbol indicates that this product and its components, consumables, parts or spares thereof shall not be treated as household waste and may not be dropped in garbage bins. Product owners are advised to deposit their product at the nearest collection point for the recycling of electrical and electronic equipment. Your co-operation shall facilitate proper disposal & help prevent potential negative consequences/hazards to the environment and human health, which could otherwise be caused by inappropriate waste disposal including improper handling, accidental breakage, damage and/ or improper recycling of e-waste. The recycling of materials will help to conserve natural resources. For more detailed information about recycling of this product, please contact your local civic office, your household waste disposal service provider or the store where you made the purchase. You may contact our company's toll free number in India for assistance.

Toll Free: 1800-103-7799

Visit: www.sony.co.in for product recycling

Reduction in the Use of Hazardous Substances in Electrical & Electronic Equipment (Applicable in Republic of India)

This product and its components, consumables, parts or spares comply with the hazardous substances restriction of India's E-Waste (Management) Rules. The maximum

allowable concentrations of the restricted substances are 0.1% by weight in homogenous materials for Lead, Mercury, Hexavalent Chromium, Polybrominated Biphenyls (PBB) and Polybrominated Diphenyl Ethers (PBDE), and 0.01% by weight in homogenous materials for Cadmium, except for the exemptions specified in Schedule II of the aforesaid Rules.

For the customers in the U.S.A.

SONY LIMITED WARRANTY - Please visit <http://www.sony.com/psa/warranty> for important information and complete terms and conditions of Sony's limited warranty applicable to this product.

For the customers in Canada

SONY LIMITED WARRANTY - Please visit <http://www.sonybiz.ca/pro/lang/en/ca/article/resources-warranty-product-registration> for important information and complete terms and conditions of Sony's limited warranty applicable to this product.

For the customers in Europe

Sony Professional Solutions Europe - Standard Warranty and Exceptions on Standard Warranty. Please visit <http://www.pro.sony.eu/warranty> for important information and complete terms and conditions.

For the customers in Korea

SONY LIMITED WARRANTY - Please visit <http://bpeng.sony.co.kr/handler/BPAS-Start> for important information and complete terms and conditions of Sony's limited warranty applicable to this product.

For kundene i Norge

Dette utstyret kan kobles til et IT-strømfordelingssystem.

Apparatet må tilkoples jordet stikkontakt

Suomessa asuville asiakkaille

Laite on liitettävä suojamaadoituskoskettimilla varustettuun pistorasiaan

För kunderna i Sverige

Apparaten skall anslutas till jordat uttag

For kunder i Danmark

Apparatets stikprop skal tilsluttes en stikkontakt med jord, som giver forbindelse til stikproppens jord.

Türkiye'deki müşteriler için AEEE Yönetmeliğine Uygundur

Table of Contents

Precaution	6
On Safety	6
On Installation	6
Handling the Screen	6
On Burn-in	6
On a Long Period of Use	6
Handling and Maintenance of the Screen	7
On Dew Condensation	7
On Repacking	7
Disposal of the Unit	7
Location and Function of Parts and Controls	8
Front Panel.....	8
Input Signals and Adjustable/Setting Items	10
Rear Panel	11
Removing the Monitor Stand (Pre-Attached)	13
Attaching the handle (LMD-A220/A170 only)	13
Connecting the AC Power Cord	14
Initial settings	14
Using the Menu	15
Protection of the Setting Values	16
Protecting the setting values using [Key Inhibit]	16
Protecting the setting values using [Password Lock]	16
Adjustment Using the Menus	16
Items	16
Adjusting and Changing the Settings	17
[Status] menu	17
[Color Temp/Color Space/Gamma] menu	18
[User Control] menu	19
[User Configuration] menu	19
[Remote] menu	31
[Security] menu	32
Troubleshooting	33
Specifications	33
Dimensions	36

Precaution

On Safety

- Operate the unit only with a power source as specified in the “Specifications” section.
- A nameplate indicating operating voltage, etc., is located on the rear panel.
- Should any solid object or liquid fall into the cabinet, unplug the unit and have it checked by qualified personnel before operating it any further.
- Do not drop or place heavy objects on the power cord. If the power cord is damaged, turn off the power immediately. It is dangerous to use the unit with a damaged power cord.
- Unplug the unit from the wall outlet if it is not to be used for several days or more.
- Disconnect the power cord from the AC outlet by grasping the plug, not by pulling the cord.
- The socket-outlet shall be installed near the equipment and shall be easily accessible.

On Installation

- Allow adequate air circulation to prevent internal heat build-up.
Do not place the unit on surfaces (rugs, blankets, etc.) or near materials (curtains, draperies) that may block the ventilation holes.
- Do not install the unit in a location near heat sources such as radiators or air ducts, or in a place subject to direct sunlight, excessive dust, mechanical vibration or shock.

Handling the Screen

- The LCD panel fitted to this unit is manufactured with high precision technology, giving a functioning pixel ratio of at least 99.99%. Thus a very small proportion of pixels may be “stuck”, either always off (black), always on (red, green, or blue), or flashing. In addition, over a long period of use, because of the physical characteristics of the liquid crystal display, such “stuck” pixels may appear spontaneously. These problems are not a malfunction.
- Do not leave the LCD screen facing the sun as it can damage the LCD screen. Take care when you place the unit by a window.
- Do not push or scratch the LCD screen. Do not place a heavy object on the LCD screen. This may cause the screen to lose uniformity.

- If the unit is used in a cold place, horizontal lines or a residual image may appear on the screen. This is not a malfunction. When the monitor becomes warm, the screen returns to normal.
- The screen and the cabinet become warm during operation. This is not a malfunction.

On Burn-in

For LCD panel, permanent burn-in may occur if still images are displayed in the same position on the screen continuously, or repeatedly over extended periods.

Images that may cause burn-in

- Masked images with aspect ratios other than 16:10 (LMD-A240)
- Masked images with aspect ratios other than 16:9 (LMD-A220/A170)
- Color bars or images that remain static for a long time
- Character or message displays that indicate settings or the operating state
- On-screen displays such as center markers or area markers

To reduce the risk of burn-in

- Turn off the character and marker displays
Press the MENU button to turn off the character displays. To turn off the character or marker displays of the connected equipment, operate the connected equipment accordingly. For details, refer to the operation manual of the connected equipment.
- Turn off the power when not in use
Turn off the power if the monitor is not to be used for a prolonged period of time.

On a Long Period of Use

Due to the characteristics of LCD panel, displaying static images for extended periods, or using the unit repeatedly in a high temperature/high humidity environments may cause image smearing, burn-in, areas of which brightness is permanently changed, lines, or a decrease in overall brightness.

In particular, continued display of an image smaller than the monitor screen, such as in a different aspect ratio, may shorten the life of the unit.
Avoid displaying a still image for an extended period, or using the unit repeatedly in a high temperature/high humidity environment such an airtight room, or around the outlet of an air conditioner.

To prevent any of the above issues, we recommend reducing brightness slightly, and to turn off the power whenever the unit is not in use.

Handling and Maintenance of the Screen

The surface of the screen is specially coated to reduce image reflection. Make sure to observe the following points as improper maintenance procedures may impair the screen's performance. In addition, the screen is vulnerable to damage. Do not scratch or knock against it using a hard object.

- Be sure to disconnect the AC power cord from the AC outlet before performing maintenance.
- The surface of the screen is specially coated. Do not attach adhesive objects, such as stickers, on it.
- The surface of the screen is specially coated. Do not touch the screen directly.
- Wipe the screen surface gently with the supplied cleaning cloth or a soft dry cloth to remove dirt.
- Stubborn stains may be removed with the supplied cleaning cloth, or a soft cloth slightly dampened with a mild detergent solution.
- The screen may become scratched if the cleaning cloth is dusty.
- Never use strong solvents such as alcohol, benzene, thinner, acidic or alkaline detergent, detergent with abrasives, or chemical wipe as these may damage the screen.
- Use a blower to remove dust from the screen surface.

On Dew Condensation

If the unit is suddenly taken from a cold to a warm location, or if ambient temperature suddenly rises, moisture may form on the outer surface of the unit and/or inside of the unit. This is known as condensation. If condensation occurs, turn off the unit and wait until the condensation clears before operating the unit. Operating the unit while condensation is present may damage the unit.

On Repacking

Do not throw away the carton and packing materials. They make an ideal container which to transport the unit.

Disposal of the Unit

- Do not dispose of the unit with general waste. Do not include the monitor with household waste.
- When you dispose of the monitor, you must obey the law in the relative area or country.

About this manual

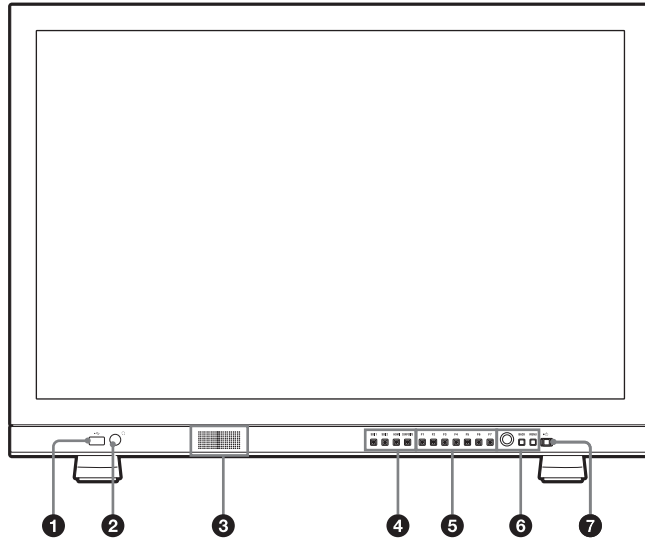
The instructions in this manual are for the following models:

- LMD-A240
- LMD-A220
- LMD-A170

The illustration of LMD-A240 is used for the explanations. Any differences in specifications are clearly indicated in the text.

Location and Function of Parts and Controls

Front Panel



1 (USB) connector
Used for future expansion.

2 (headphones) jack
The audio signal which is selected by the input select button is output in stereo sound.

3 **Speaker**
The audio signal which is selected by the input select button is output in monaural sound (L + R).
The outputting audio can be changed in [Audio Setting] (page 29) of the [User Configuration] menu.
The audio signals from the speaker are output from the AUDIO OUT connector on the rear (see page 11).
Audio signals will not be output when headphones are connected to the jack.

Note

Do not input an audio signal that exceeds the speaker output.
If the output audio is cracked or distorted, adjust the volume.

4 **Input select buttons**
Press to monitor the signal input to each connector.
SDI 1 button: to monitor the signal through the SDI IN **1** connector
SDI 2 button: to monitor the signal through the SDI IN **2** connector
HDMI button: to monitor the signal through the HDMI IN connector

COMPOSITE button: to monitor the signal through the COMPOSITE IN connector

5 **Function buttons**
You can turn the assigned function on or off.
The factory setting is as follows;
F1 button: [Brightness]
F2 button: [Contrast]
F3 button: [Chroma]
F4 button: [Scan]
F5 button: [Marker]
F6 button: [Volume]
F7 button: [WFM/ALM/Vector]

You can assign various functions in [Function Button Setting] (page 22) of the [User Configuration] menu. The [Function Button Setting] menu can also be displayed by pressing and holding the function button.

Press the button [Brightness], [Contrast], [Chroma], [Volume], [WFM Line Position], [Phase], [Aperture] or [Focus Gain] function assigned to display the adjustment screen. Press the same button again, and the adjustment screen disappears, but you can adjust the value without the setting value display.

6 **Menu operation buttons**
Displays or sets the on-screen menu.
Menu selection control
When the menu is displayed, turn the control to select a menu item or setting value, and then press the control to confirm the setting.

If the menu is not displayed and the menu selection control is pressed, the characters that represent the names of the buttons light up. Also, the names of the functions assigned to the function buttons appear on the screen. Press again to clear it.

Alternatively, if the menu is not displayed and the menu selection control is pressed for more than two seconds, the signal format is displayed on the screen.

BACK button

When the menu is displayed, press the button to reset the value of an item to the previous value (except some items).

MENU button

Press to display the on-screen menu.


Press again to clear the menu.

7 (Power) switch and indicator

When the unit is turned off, press the switch to turn it on. The indicator lights in green.

Press the switch again to turn off the unit. The indicator goes out.

About error/warning signals of the indicator

While the unit is in use, error or warning signals may appear on the  (Power) switch indicator of the front panel.

If an error display appears when using the unit with DC input, check that the DC voltage range is appropriate. If an error display appears when using the unit with AC input, or with DC input within the appropriate DC voltage range, refer to a Sony qualified service personnel.

Error display	Symptom
Flashes red	There is an abnormality with the panel, power or sensor. The error also displays if the DC input voltage goes outside the acceptable range. Confirm whether the DC power voltage is 12 V to 17 V.

Warning display	Symptom
Flashes amber (every second)	Decreases the brightness to protect the unit from overheating.
Flashes amber (every 0.5 seconds)	The warning signals display if the DC power voltage comes close to the bottom line of the acceptable range. Confirm whether the DC power voltage is between 12 V and 17 V. Continued use may turn off the unit.

Input Signals and Adjustable/Setting Items

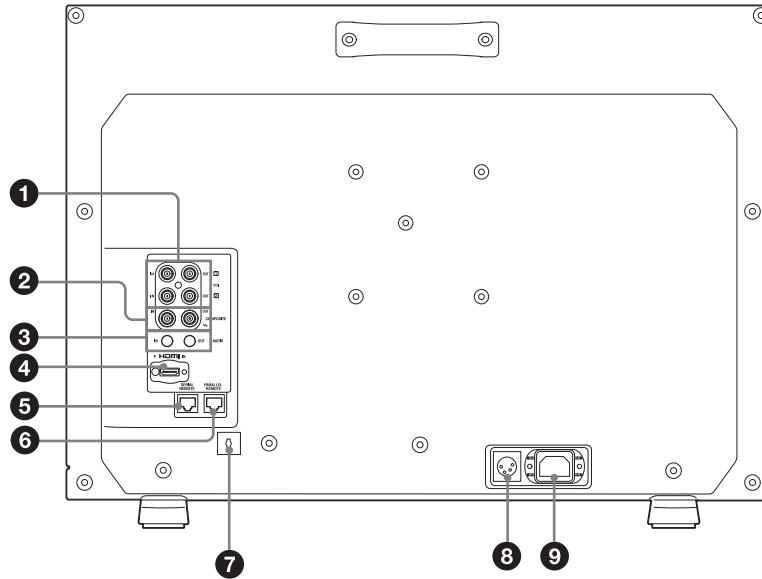
Item	Input signal								
	Composite		SDI				HDMI		HDMI/ DVI
	Color	B & W	SD	HD	Dual Link	3G	SD	HD	PC
Color Temp	○	○	○	○	○	○	○	○	○
Color Space	○	○	○	○	○	○	○	○	○
Gamma	○	○	○	○	○	○	○	○	○
Aperture	○	○	○	○	○	○	○	○	×
V Sharpness	○	○	×	×	×	×	×	×	×
ACC	○	×	×	×	×	×	×	×	×
Shift H, Shift V	○	○	×	×	×	×	×	×	×
SDI RGB Range	×	×	×	×	○ ¹⁾	○ ¹⁾	×	×	×
DVI RGB Range	×	×	×	×	×	×	×	×	○ ²⁾
NTSC Setup	○	○	×	×	×	×	×	×	×
Marker	○	○	○	○	○	○	○	○	×
Time Code	×	×	○	○	○	○	×	×	×
Focus Assist	×	×	○	○	○	○	○	○	×
WFM/ALM/Vector	×	×	○	○	○ ³⁾	○ ³⁾	○ ³⁾	○ ³⁾	○ ³⁾
Closed Caption	×	×	○ ⁴⁾	○	×	×	×	×	×
Scan	○	○	○	○	○	○	○	○	○
Aspect	○	○	○	×	×	×	○	×	×
Blue Only	○	○	○	○	○	○	○	○	○
Mono	○	○	○	○	○	○	○	○	○
Brightness	○	○	○	○	○	○	○	○	○
Contrast	○	○	○	○	○	○	○	○	○
Chroma	○	○	○	○	○	○	○	○	○
Phase	○ ⁵⁾	×	×	×	×	×	×	×	×
In-Monitor Display	○	○	○	○	○	○	○	○	×
Flip H, Flip V, Flip H/V	○	○	○	○	○	○	○	○	×
Grid	○	○	○	○	○	○	○	○	×
Side by Side	×	×	○	○	×	○	×	×	×
Wipe	×	×	○	○	×	○	×	×	×
Blending	×	×	○	○	×	○	×	×	×
Difference	×	×	○	○	×	○	×	×	×
Auto SDI Switch	×	×	○	○	×	○	×	×	×
2048 Shift ⁶⁾	×	×	×	○	○	○	×	×	×
Chroma Up	○	○	○	○	○	○	○	○	○
AFD	×	×	○	×	×	×	×	×	×
Camera Metadata	×	×	○	○	○	○	×	×	×
Anamorphic ⁷⁾	×	×	×	○	○	○	×	×	×

○ : Adjustable/can be set
 × : Not adjustable/cannot be set

- 1) Available only when RGB format signal is input.
 2) Available only when DVI/PC signal format is input.
 HDMI/PC is followed by AVI info.

- 3) When RGB format signal is input, [Vector] does not function.
 4) Available only when 480/59.94i format signal is input.
 5) Available only when NTSC format signal is input.
 6) Available only when 2K signal is input.
 7) Available only when the resolution of the input signal is 1920 × 1080 or 2048 × 1080.

Rear Panel



1 SDI (3G/HD/SD) input and output connectors (BNC)

IN 1 connector, IN 2 connector

Input connector for serial digital component signals. SDI 1 and SDI 2 inputs are available.

OUT 1 connector, OUT 2 connector

Output connector for serial digital component signals. SDI 1 and SDI 2 outputs are available.

Note

Output is only activated when the power is on.

2 COMPOSITE input and output connectors (BNC)

IN connector

Input connector for composite video signals.

OUT connector

Loop-through output connector.

Note

When inputting a video signal with the jitters, etc. the picture may be disturbed. We recommend using the TBC (time base corrector).

3 AUDIO input and output connectors (stereo mini jack)

IN connector

Connect to the audio outputs of external equipment such as a VCR.

OUT connector

Outputs the audio signal which is selected by the input select button on the front panel.

The outputting audio can be changed in [Audio Setting] (page 29) of the [User Configuration] menu.

Note

Output is only activated when the power is on.

4 HDMI IN connector

Input connector for HDMI ¹⁾ signals.

HDMI (High-Definition Multimedia Interface) is an interface that supports both video and audio on a single digital connection, allowing you to enjoy high quality digital picture and sound. The HDMI specification supports HDCP (High-bandwidth Digital Content Protection), a copy protection technology that incorporates coding technology for digital video signals.

- 1) The terms HDMI and HDMI High-Definition Multimedia Interface, and the HDMI Logo are trademarks or registered trademarks of HDMI Licensing LLC in the United States and other countries.

Note

Use an HDMI cable bearing the High-Speed logo (Sony product recommended).

5 SERIAL REMOTE connector (RJ-45)

Connect to the Sony BKM-15R/16R Monitor Control Unit by using a 10BASE-T/100BASE-TX LAN cable (shielded type, optional).

CAUTION

- For safety, do not connect the connector for peripheral device wiring that might have excessive voltage to this port. Follow the instructions for this port.
- When you connect the SERIAL REMOTE cable of the unit to peripheral device, use a shielded-type cable to prevent malfunction due to radiation noise.

- The connection speed may be affected by the network system. This unit does not guarantee the communication speed or quality of 10BASE-T/100BASE-TX.

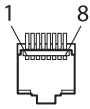
6 PARALLEL REMOTE connector (RJ-45, 8-pin)

Forms a parallel switch and controls the monitor externally.

CAUTION

For safety, do not connect the connector for peripheral device wiring that might have excessive voltage to this port. Follow the instructions for this port.

Pin assignment



Pin number	Functions
1	Designating [SDI1] input signal
2	Designating [SDI2] input signal
3	Designating [HDMI] input signal
4	Designating [Composite] input signal
5	GND
6	[WFM/ALM/Vector]
7	[Tally Green]
8	[Tally Red]

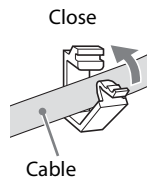
You can assign functions using the [Remote] menu (see page 31).

Wiring required to use the Remote Control

Connect the function you want to use with a Remote Control to the Ground (Pin 5).

7 HDMI cable holder

Secures the HDMI cable (Ø7 mm or less).



Rotate to unlock the HDMI cable holder first, then remove it.

8 (DC) input connector

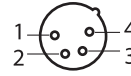
Plug the DC power supply to this connector to provide power to the monitor.

It runs on DC 12 V to 17 V.

CAUTION

Be sure to connect to a power supply of the specified voltage.

Pin assignment



Pin number	Functions
1	- (GND)
2	NC
3	NC
4	+ (DC 12 V to 17 V)

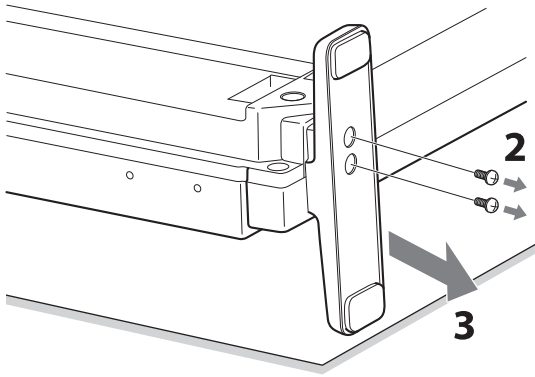
9 AC IN socket

Connect the supplied AC power cord.

Removing the Monitor Stand (Pre-Attached)

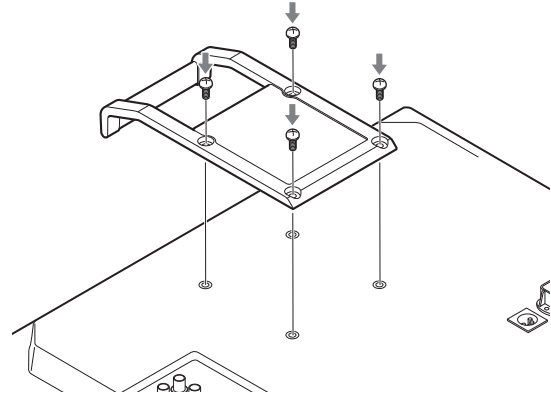
To install the monitor on a rack, remove the bottom stand as follows.

- 1** Put the monitor on a soft cloth with the surface of the monitor downward.
- 2** Remove the two screws.
- 3** Remove the stand.



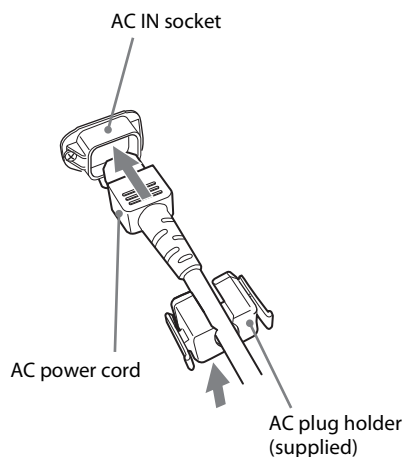
Attaching the handle (LMD-A220/A170 only)

The handle (supplied) can be attached to the rear panel using the four screws (supplied).

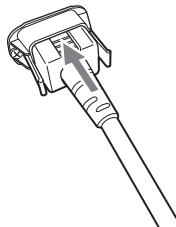


Connecting the AC Power Cord

- 1 Plug the AC power cord into the AC IN socket on the rear panel. Then, attach the AC plug holder (supplied) to the AC power cord.



- 2 Slide the AC plug holder over the cord until it locks.



To remove the AC power cord

Pull out the AC plug holder while pressing the lock levers.

Initial settings

When you turn on the unit for the first time after purchasing it, select the language you wish to use. You can select the language from among English, French, German, Spanish, Italian, Japanese, Simplified Chinese.

For details on operating the unit, see "Using the Menu" (page 15).

When the language has been selected, the following items are set.

Language	[Color Temp]	[NTSC Setup]
English		
French		
German	[D65]	[7.5]
Spanish		
Italian		
Japanese	[D93]	[0]
Simplified Chinese	[D65]	[7.5]

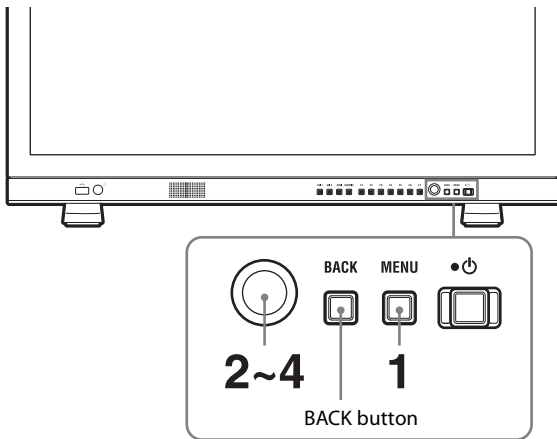
The setting of the color temperature and NTSC setup can be changed. For details, refer to the following pages.

- [Color Temp] (page 18)
- [NTSC Setup] (page 19)

Using the Menu

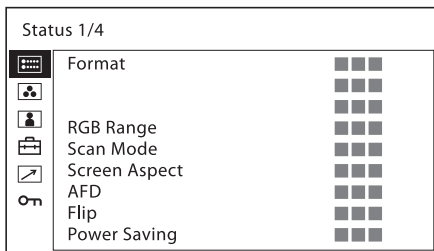
The unit is equipped with an on-screen menu for making various adjustments and settings such as picture control, input setting, set setting change, etc.

The current settings are displayed in place of the ■■■■ marks on the illustrations of the menu screen.



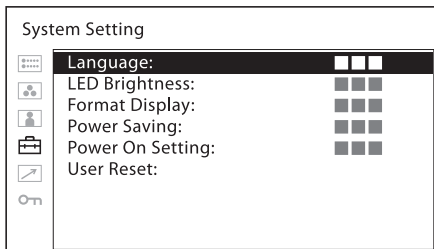
1 Press the MENU button.

The menu appears.
The menu presently selected is shown in yellow.



2 Turn the menu selection control to select a menu, then press the menu selection control.

The menu icon presently selected is shown in yellow and setting items are displayed.



3 Select an item.

Turn the menu selection control to select the item, then press the menu selection control.
The item to be changed is displayed in yellow.
If the menu consists of multiple pages, turn the menu selection control to go to the desired menu page.

4 Make the setting or adjustment on an item.

When changing the adjustment level:

To increase the number, turn the menu selection control right.

To decrease the number, turn the menu selection control left.

Press the menu selection control to confirm the number, then restore the original screen.

When changing the setting:

Turn the menu selection control to change the setting, then press the menu selection control to confirm the setting.

When returning the adjustment or setting to the previous value:

Press the BACK button before pressing the menu selection control.

Notes

- An item displayed in black cannot be accessed. You can access the item if it is displayed in white.
- If the [Key Inhibit] has been turned [On], all items are displayed in black. To change any of the items, turn the [Key Inhibit] to [Off] first.
- If the [Password Lock] has been turned [On], the setting values of the color temperature for [User1] and the User Preset for [User Preset1] cannot be changed. To change the values, enter the password.

For details on the key inhibit and password lock functions, see “[Security] menu” (page 32).

To return the display to the previous screen

Press the BACK button.

To clear the menu

Press the MENU button.

The menu disappears automatically if a button is not pressed for one minute.

About the memory of the settings

The settings are automatically stored in the monitor memory.

Protection of the Setting Values

Protecting the setting values using [Key Inhibit]

You can protect the setting values using [Key Inhibit].

When the values are protected by the key inhibit function, you cannot change the values.

To change the values, set [Key Inhibit] to [Off].

For details, see [Key Inhibit] (page 32).

Protecting the setting values using [Password Lock]

You can protect the setting values of the color temperature for [User1] and the User Preset for [User Preset1] using [Password Lock].

When the values are protected with a password, you need to enter the password during the following operations.

- When you change the color temperature values for [User1] using [Adjust Gain/Bias] or [Copy From].
- When you change the User Preset values for [User Preset1] using [Save].

For details, see [Password Lock] (page 32).

Adjustment Using the Menus

Items

The screen menu of this monitor consists of the following items.

[Status] (the items indicate the current settings.)

Displays the unit setting status, etc.

For details on the displayed items, see “[Status] menu” (page 17).

[Color Temp/Color Space/Gamma]

[Color Temp]
[Manual Adjustment]
[Color Space]
[Gamma]

[User Control]

[Volume]
[Aperture]
[Backlight]
[Composite Video Control]

[User Configuration]

[System Setting]
[Language]
[LED Brightness]
[Format Display]
[Power Saving]
[Power On Setting]
[User Reset]
[User Preset Setting]
[User Preset Status]
[Load]
[Save]
[Input Setting]
[Dual Link]
[SDI RGB Range]
[DVI RGB Range]
[Anamorphic]
[AFD]
[Function Button Setting]
[Marker Setting]
[Marker]
[Aspect Marker]
[Center Marker]
[Area Marker]

- [Marker Intensity]
- [Aspect Mat]
- [Grid]
- [Grid Type]
- [Grid Pitch]
- [Time Code Setting]
 - [Time Code]
 - [Format]
 - [Position]
 - [Transparency]
- [P&P Setting]
 - [Wipe Setting]
 - [Auto SDI Switch]
- [Focus Assist Setting]
 - [Focus Assist]
 - [Focus Mode]
 - [Frequency]
 - [Range]
 - [Gain]
- [Camera Metadata Setting]
 - [Metadata]
 - [Displayed Rows]
 - [Position]
 - [Units]
- [WFM/ALM/Vector (waveform monitor, audio level meter, and vectorscope) Setting]
 - [Display]
 - [WFM/ALM/Vector]
 - [Position]
 - [Transparency]
 - [Intensity]
 - [Zoom]
 - [Line Select]
 - [Target]
- [Audio Setting]
 - [SDI Audio Setting]
 - [Analog Audio Output]
- [Closed Caption Setting]
 - [Closed Caption]
 - [Type]
 - [708]
 - [608]
 - [Intensity]
- [On Screen Tally Setting]
 - [Tally Bckgnd Display]
 - [Position]
- [In-Monitor Display Setting]
 - [IMD]
 - [Position]
 - [Transparency]
 - [Text Color]
 - [Text Intensity]
 - [Left Tally Color]
 - [Right Tally Color]

[Serial Remote]

Ⓜ [Security]

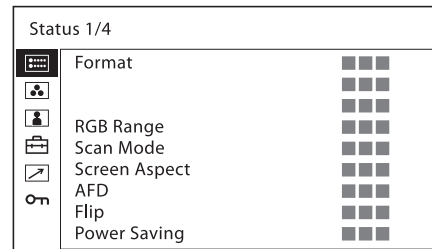
- [Key Inhibit]
- [Password Lock]

Adjusting and Changing the Settings

⋮ [Status] menu

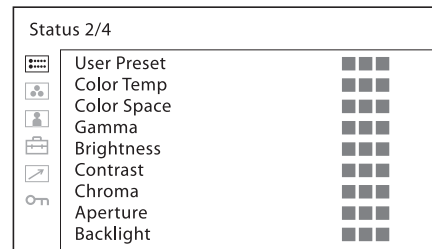
The status menu displays the current status of the unit. The following items are displayed:

Page 1



- Format
- RGB range
- Scan mode
- Screen Aspect
- AFD
- Flip
- Power saving

Page 2

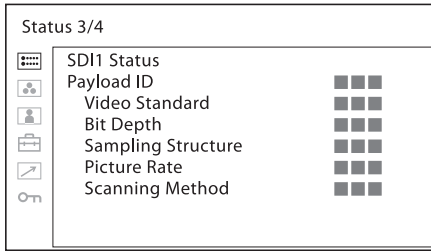


- User Preset
- Color temperature
- Color space
- Gamma
- Brightness
- Contrast
- Chroma
- Aperture
- Backlight

↗ [Remote]

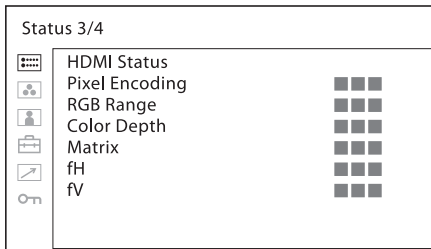
- [Parallel Remote]

Page 3 (for the SDI signal input)



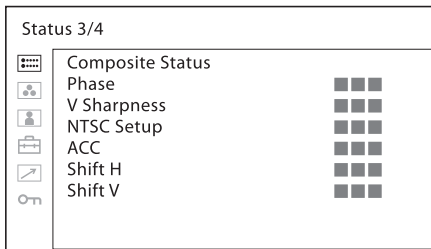
- Payload ID
- Video standard
- Bit depth
- Sampling structure
- Picture rate
- Scanning method

Page 3 (for the HDMI signal input)



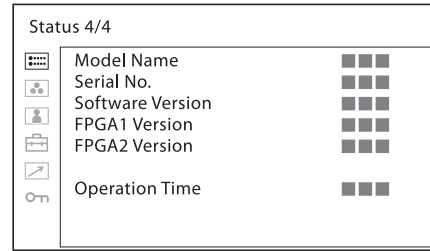
- Pixel encoding
- RGB range
- Color depth
- Matrix
- fH
- fV

Page 3 (for the composite signal input)



- Phase
- V sharpness
- NTSC setup
- ACC
- Shift H
- Shift V

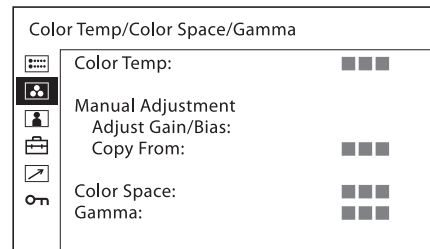
Page 4



- Model name
- Serial No.
- Software version
- FPGA1 version
- FPGA2 version
- Operation Time

[Color Temp/Color Space/Gamma] menu

This menu is used for adjusting the color temperature, color space and gamma. You need to use the measurement instrument to adjust the white balance. Recommended: Konica Minolta Color Analyzer CA-210/CA-310



Submenu	Setting
[Color Temp]	Selects the color temperature from among [D65], [D93], [User1], [User2].

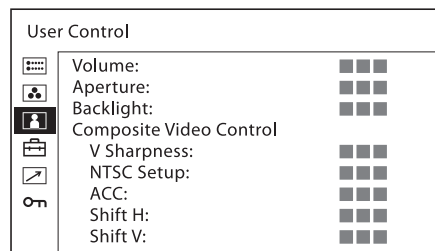
Submenu	Setting
[Manual Adjustment]	<p>If you set the [Color Temp] to the [User1] or [User2] setting, the item displayed is changed from black to white, which means you can adjust the color temperature. The set values are memorized.</p> <ul style="list-style-type: none"> • [Adjust Gain/Bias]: <ul style="list-style-type: none"> • [R Gain]: Adjusts the color balance (gain) of R (red). • [G Gain]: Adjusts the color balance (gain) of G (green). • [B Gain]: Adjusts the color balance (gain) of B (blue). • [R Bias]: Adjusts the color balance (bias) of R (red). • [G Bias]: Adjusts the color balance (bias) of G (green). • [B Bias]: Adjusts the color balance (bias) of B (blue). • [Copy From]: If you select [D65], [D93], [User1] or [User2], the white balance data for the selected color temperature will be copied to the [User1] or [User2] setting.
[Color Space]	Selects the color space from among [ITU-709], [EBU], [SMPTE-C], [Native]. [Native] sets the color space to the original color reproduction of the panel.
[Gamma]	Select the appropriate gamma mode from [2.2] or [2.4].

Note

If the [Password Lock] has been turned [On], the [User1] value is protected by a password. To change the values, enter the password.

[User Control] menu

The user control menu is used for adjusting the picture.

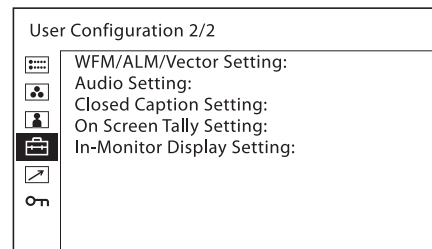
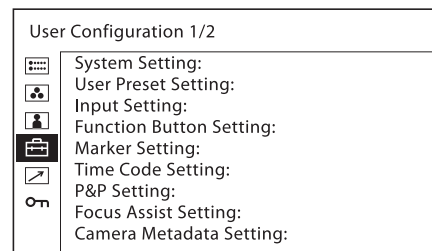


Submenu	Setting
[Volume]	Adjusts the volume.
[Aperture]	Sharpens the picture outline. The higher the setting, the sharper the picture. The lower the setting, the softer the picture. The aperture does not work when [Focus Assist] is [On].

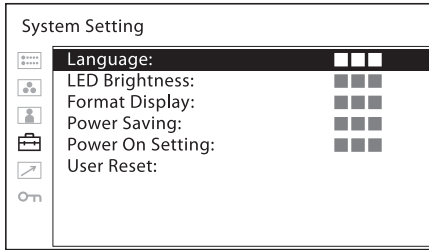
Submenu	Setting
[Backlight]	Adjusts the backlight. When the setting is changed, the brightness of the backlight is changed.
[Composite Video Control]	<ul style="list-style-type: none"> • [V Sharpness]: A crisp image can be displayed. When the setting is higher, the picture becomes even more crisp. • [NTSC Setup]: Selects the NTSC setup level from two modes. The 7.5 setup level is used mainly in North America. The 0 setup level is used mainly in Japan. You can select between [0] and [7.5]. • [ACC] (Auto Color Control): Sets the ACC circuit [On] or [Off]. To confirm the fine adjustment, select [Off]. Normally select [On]. • [Shift H]: Adjusts the position of the picture. As the setting increases, the picture moves to the right, and as the setting decreases, the picture moves to the left. • [Shift V]: Adjusts the position of the picture. As the setting increases, the picture moves up, and as the setting decreases, the picture moves down.

[User Configuration] menu

The user configuration menu is used for [System Setting], [User Preset Setting], [Input Setting], [Function Button Setting], [Marker Setting], [Time Code Setting], [P&P Setting], [Focus Assist Setting], [Camera Metadata Setting], [WFM/ALM/Vector Setting], [Audio Setting], [Closed Caption Setting], [On Screen Tally Setting] and [In-Monitor Display Setting].



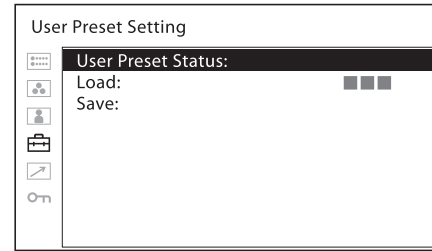
[System Setting]



Submenu	Setting
[Language]	<p>Selects the menu or message language from among seven languages.</p> <ul style="list-style-type: none"> • [English]: English • [Français]: French • [Deutsch]: German • [Español]: Spanish • [Italiano]: Italian • [日本語]: Japanese • [中文]: Chinese
[LED Brightness]	<p>Selects the brightness of the indicator's LED of the buttons and power switch.</p> <ul style="list-style-type: none"> • [High]: The LED becomes brighter. • [Low]: The LED becomes darker.
[Format Display]	<p>Selects the display mode of the signal format.</p> <ul style="list-style-type: none"> • [Auto]: The format and scan mode are displayed for about five seconds when the input of the signal starts. • [Off]: The display is hidden.
[Power Saving]	<p>Sets the power saving mode to [On] or [Off]. When you set to [On], the monitor goes into power saving mode if no signal is input for about one minute. While the unit is in power saving mode, the currently-set input select button flashes.</p> <p>When a source name or tally information is input, a front panel button is pressed, or a parallel or serial remote command is input, the unit exits the power saving mode.</p>
[Power On Setting]	<p>Sets this unit's setting status after the unit is turned on. Select from [Last Memory], [User Preset1], [User Preset2], [User Preset3], [User Preset4], [User Preset5] or [Factory Preset].</p> <p>When [Factory Preset] is selected, the unit returns to the factory default setting except for the following:</p> <ul style="list-style-type: none"> • Color temperature for [User1] • Color temperature for [User2] • User Preset for [User Preset1] • User Preset for [User Preset2] • User Preset for [User Preset3] • User Preset for [User Preset4] • User Preset for [User Preset5] • Password setting • Network setting • Language setting

Submenu	Setting
[User Reset]	<p>Returns to the factory default setting except for the following:</p> <ul style="list-style-type: none"> • Color temperature for [User1] • Color temperature for [User2] • User Preset for [User Preset1] • Password setting • Network setting • Language setting <ul style="list-style-type: none"> • [Cancel]: Cancels the reset. • [Confirm]: Resets the unit. When the reset finishes, this unit restarts.

[User Preset Setting]

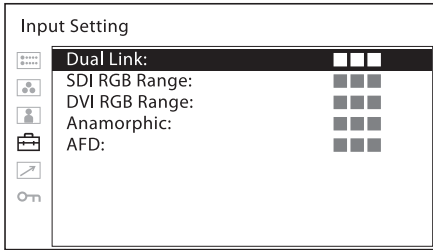


Submenu	Setting
[User Preset Status]	<p>You can confirm the setting status of the User Presets. The status of the selected User Preset number is displayed. By turning the page, you can confirm the status of [User Preset1], [User Preset2], [User Preset3], [User Preset4], [User Preset5] and [Default]. The displayed items are the following:</p> <ul style="list-style-type: none"> • [Color Temp] • [Color Space] • [Gamma] • [Brightness/Contrast] • [Chroma/Phase] • [Aperture] • [Volume] • [Backlight]
[Load]	<p>Loads the saved settings in [User Preset1], [User Preset2], [User Preset3], [User Preset4], [User Preset5] and [Default].</p> <ul style="list-style-type: none"> • [Cancel]: Cancels loading. • [Confirm]: Loads the setting.
[Save]	<p>Saves the current setting status to [User Preset1], [User Preset2], [User Preset3], [User Preset4] or [User Preset5].</p> <ul style="list-style-type: none"> • [Cancel]: Cancels saving. • [Confirm]: Saves the setting.

Note

When the [Password Lock] is set to [On], the [User Preset1] value is protected by a password. When the value is saved to [User Preset1], enter the password.

[Input Setting]



Submenu	Setting
[Dual Link]	Sets the dual link. Select from [422 YCbCr], [444 RGB], [444 YCbCr] or [Off]. Enter the link A signal of the SDI dual link signal to the SDI IN [1] connector and the link B signal of the SDI dual link signal to the SDI IN [2] connector.

Notes

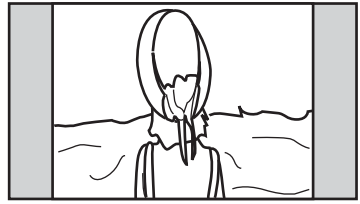
- When [Dual Link] is set to a setting other than [Off], both LEDs of the SDI 1 and SDI 2 buttons on the front panel are lit.
- When [Dual Link] is set to a setting other than [Off], the SDI (3G/HD/SD) signal of the single link cannot be displayed while the SDI 1 or SDI 2 button on the front panel is pressed. To display the signal of the single link, be sure to set [Dual Link] to [Off].

[SDI RGB Range]	Sets the black level and white level for the RGB format of SDI input. <ul style="list-style-type: none"> • [Limited]: [64] (black level) to [940] (white level) • [Full]: [0] (black level) to [1023] (white level)
-----------------	---

[DVI RGB Range]	Sets the black level and white level for the RGB format of DVI input. <ul style="list-style-type: none"> • [Limited]: [16] (black level) to [235] (white level) • [Full]: [0] (black level) to [255] (white level)
-----------------	--

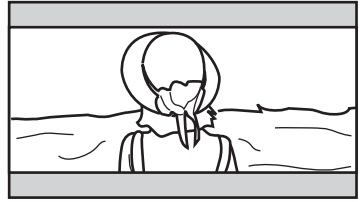
[Anamorphic]	Set to confirm the content using the anamorphic lens. Depending on the magnification of the lens or the aspect ratio of the imager, you can select from the following: <ul style="list-style-type: none"> • [Off] • [2.0X_4:3] • [2.0X_16:9] • [2.0X_17:9] • [1.3X_4:3] • [1.3X_16:9] • [1.3X_17:9]
--------------	---

Submenu	Setting
---------	---------



Stretched in a longitudinal direction due to the anamorphic lens.

↓ [2.0X_4:3]



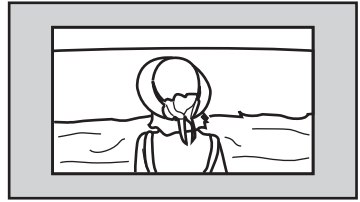
2.39:1 Aspect display

Note

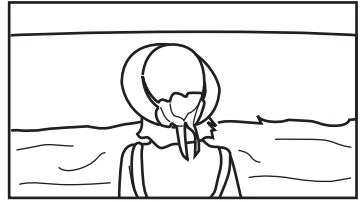
When [Anamorphic] is set to a setting other than [Off], the following functions cannot be used:

- [Side by Side]
- [Wipe]
- [Blending]
- [Difference]
- [Auto SDI Switch]
- [Time Code]
- [Closed Caption]

[AFD]	When you perform screen scaling automatically in the AFD flag setting on the ANC data of the SDI signal, set to [On]. When you do not perform scaling automatically, set to [Off].
-------	--



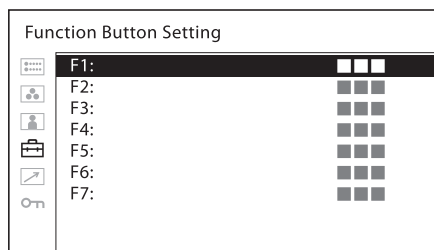
↓



With the AFD flag, provides a full screen display of an 16:9 image within an SD 4:3 screen.

Submenu	Setting
	<p>Note</p> <p>When [AFD] is set to [On], the scan setting is disabled when a valid command is received.</p> <p>When the AFD flag is in the ANC data of the SDI signal, setting [AFD] to [On] turns off the following functions:</p> <ul style="list-style-type: none"> • [Side by Side] • [Wipe] • [Auto SDI Switch] • [Blending] • [Difference] • [Time Code] • [Closed Caption] <p>The aspect setting is disabled and is displayed with the normal scan mode according to the AFD flag setting.</p>

[Function Button Setting]



Submenu	Setting
[F1] to [F7]	<p>Assigns the function to the function buttons of the front panel and turns the function on or off.</p> <p>The [Function Button Setting] menu can also be displayed by pressing and holding the function button, and the setting can be changed. Note that you cannot move to the other menu.</p>

About the function assigned to the function button

Note

When you use [Side by Side], [Wipe], [Blending], [Difference] or [Auto SDI Switch], be careful of the following.

- When the SDI1 and SDI2 do not have the same signal format and signal system, the signal is not displayed properly.
- Genlock the SDI1 and the SDI2 signals. Set the differential delay within ± 400 ns.

[Marker]

Press the button to display the marker. Set the marker in the [Marker Setting] menu (see page 26).

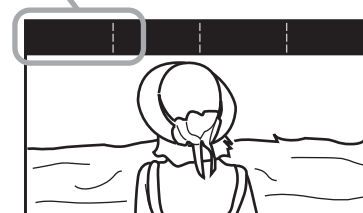
[Grid Display]

Press this button when you want to confirm the whole image with a grid. The grid setting is performed in the [Marker Setting] menu (see page 26).

[Camera Metadata]

Press this button when you want to display the camera metadata information on the ANC data of the SDI signal. The setting of the displayed camera metadata is performed in the [Camera Metadata Setting] menu (see page 27).

Camera metadata display



Notes

- You cannot display all the metadata information.
- To display the camera metadata on the screen, the camera and lens need to be compatible with the metadata output.

[Focus Assist]

Press the button to confirm the camera focus. An image with sharpened edges is displayed. Set the camera focus in [Focus Assist Setting] (see page 27).

[Focus Gain]

Press the button to display the adjustment screen and adjust the level of edge sharpening. Press again to hide the adjustment screen. However, the level of edge sharpening remains adjustable. Turn the menu selection control right to increase the edge sharpening, or left to decrease it.

[Chroma Up]

Press the button to display the chroma component with an increase of 12 dB.

[Auto SDI Switch]

Press the button to switch between the two inputs of the SDI signal automatically for comparison. The setting of switching duration is performed in the [P&P Setting] menu (see page 26).

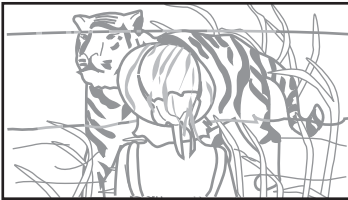
Note

When [Auto SDI Switch] is set to on, the following functions turn off.

- [Time Code]
- [Closed Caption]

[Blending]

Press the button to overlay the two inputs of the SDI signal.



SDI1 and SDI2

The overlaid images of the SDI1 and SDI2 signals are displayed.

Note

When [Blending] is set to on, the following functions turn off.

- [Time Code]
- [Closed Caption]

[Difference]

Press the button to display the differences between the brightness signal components of the two inputs of the SDI signal. The matching parts of the brightness signals are shown in gray and the unmatching parts are shown in black and white according to the difference in brightness.

Note

When [Difference] is set to on, the following functions turn off.

- [Time Code]
- [Closed Caption]

[Side by Side]

Press the button to display the two inputs of the SDI signal in the same screen side by side.

Note

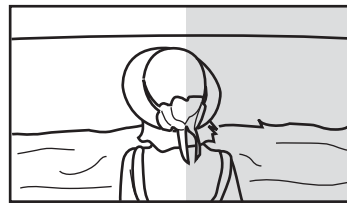
When [Side by Side] is set to on, the scan setting changes to the normal scan.

When [Side by Side] is set to on, the following functions turn off.

- [Time Code]
- [Closed Caption]
- [Marker]
- [Grid]

[Wipe]

Press the button to display the two inputs of the SDI signal connected at the boundary location. The boundary line setting is performed in the [P&P Setting] menu (see page 26).



SDI1

SDI2

The image is displayed with the left and right parts connected at boundary position.

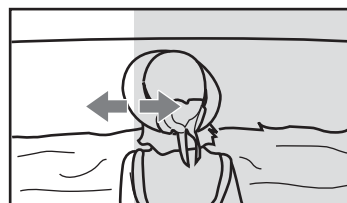
Note

When [Wipe] is set to on, the following functions turn off.

- [Time Code]
- [Closed Caption]

[Wipe Position]

Press the button to change the boundary location. This function is only available when the two inputs of the SDI signal connected are displayed in the same screen.



SDI1

SDI2

The boundary position can be changed with the menu selection control.

Note

In the 2K signal, the scan setting changes to the normal scan.

[WFM/ALM/Vector]

Press the button to display the WFM/ALM/vectorscope display. Set the WFM/ALM/vectorscope display setting in the [WFM/ALM/Vector Setting] menu (see page 27).

[WFM/VS Zoom]

Press the button to zoom in the WFM/vectorscope display. Set the zoom setting in the [WFM/ALM/Vector Setting] menu (see page 29).

[WFM Line Position]

Press the button to display the adjustment screen and adjust the WFM line position. Press again to hide the adjustment screen. However, the WFM line position remains adjustable. Turn the menu selection control right to lower the line position, or left to raise it.

[Time Code]

Press the button to display the time code display. Adjust the settings for the time code display in [Time Code Setting] (see page 26).

[Mono]

Press the button to display a monochrome picture. When the buttons is pressed again, the monitor switches automatically to color mode.

[Blue Only]

Press the button to eliminate the red and green signals. Only blue signal is displayed as an apparent monochrome picture on the screen. This facilitates “chroma” and “phase” adjustments and observation of signal noise.

[Scan]

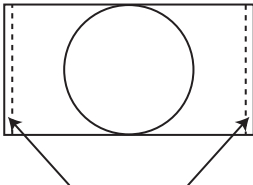
Press the button to change the scan size of the picture. With every press of the button, the picture switches in the sequence [Normal] scan or [Native] scan. (see “Scan mode image” (page 25)).

[Aspect]

Press the button to set the aspect ratio of the picture, [16:9] or [4:3].

[2048 Shift]

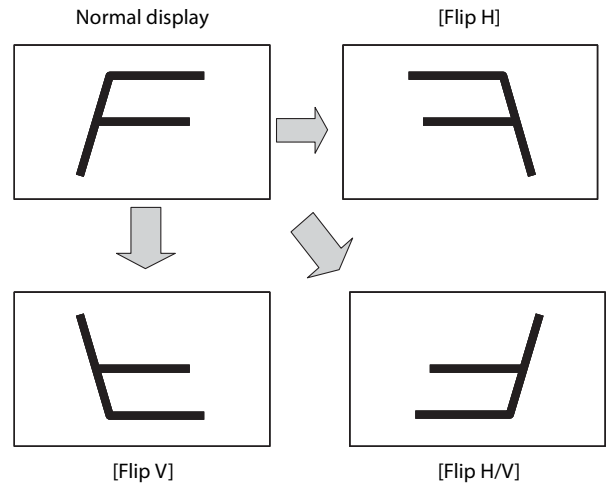
Press the button to display the hidden left and right parts exceeding the H size (1920) of the panel when the input signal system is 2048 × 1080 in the native scan mode. To slide images and display the hidden parts in the left and right sides, turn the menu selection control.



The menu selection control can slide images to display the hidden parts.

[Flip H]**[Flip V]****[Flip H/V]**

Press the button to display the reversed image. [Flip H], [Flip V] and [Flip H/V] can be assigned to each function button.

**Note**

When the reverse function is enabled, the following functions turn off.

- [Wipe]
- [Side by Side]
- [Blending]
- [Difference]
- [Auto SDI Switch]
- [WFM/ALM/Vector]
- [Closed Caption]
- [Time Code]
- [Anamorphic]

[Brightness]

Press the button to display the adjustment screen and adjust the picture brightness. Press again to hide the adjustment screen. However, the picture brightness remains adjustable. Turn the menu selection control right to increase the brightness, or left to decrease it.

[Contrast]

Press the button to display the adjustment screen and adjust the picture contrast. Press again to hide the adjustment screen. However, the picture contrast remains adjustable. Turn the menu selection control right to increase the contrast, or left to decrease it.

[Chroma]

Press the button to display the adjustment screen and adjust the color intensity. Press again to hide the adjustment screen. However, the color intensity remains adjustable. Turn the menu selection control right to increase the intensity, or left to decrease it.

[Phase]

Press the button to display the adjustment screen and adjust the color tones. Press again to hide the adjustment screen. However, the color tones remain adjustable. Turn the menu selection control right to increase the green tone, or left to increase the purple tone.

[Aperture]

Press the button to display the adjustment screen and sharpen the picture outline. Press again to hide the adjustment screen. However, the picture sharpness remains adjustable. Turn the menu selection control right to make the picture sharper, or left to make the picture softer.

[Volume]

Press the button to display the adjustment screen and adjust the volume. Press again to hide the adjustment screen. However, the volume remains adjustable. Turn the menu selection control right to increase the volume, or left to decrease it.

[Closed Caption]

Press the button to display the closed caption. Set the closed caption setting in the [Closed Caption Setting] menu (see page 29).

[IMD] (In-Monitor Display)

When using external remote devices, the source name or tally information is displayed on the monitor screen. Adjust the setting in [In-Monitor Display Setting].

[User Preset1]

[User Preset2]

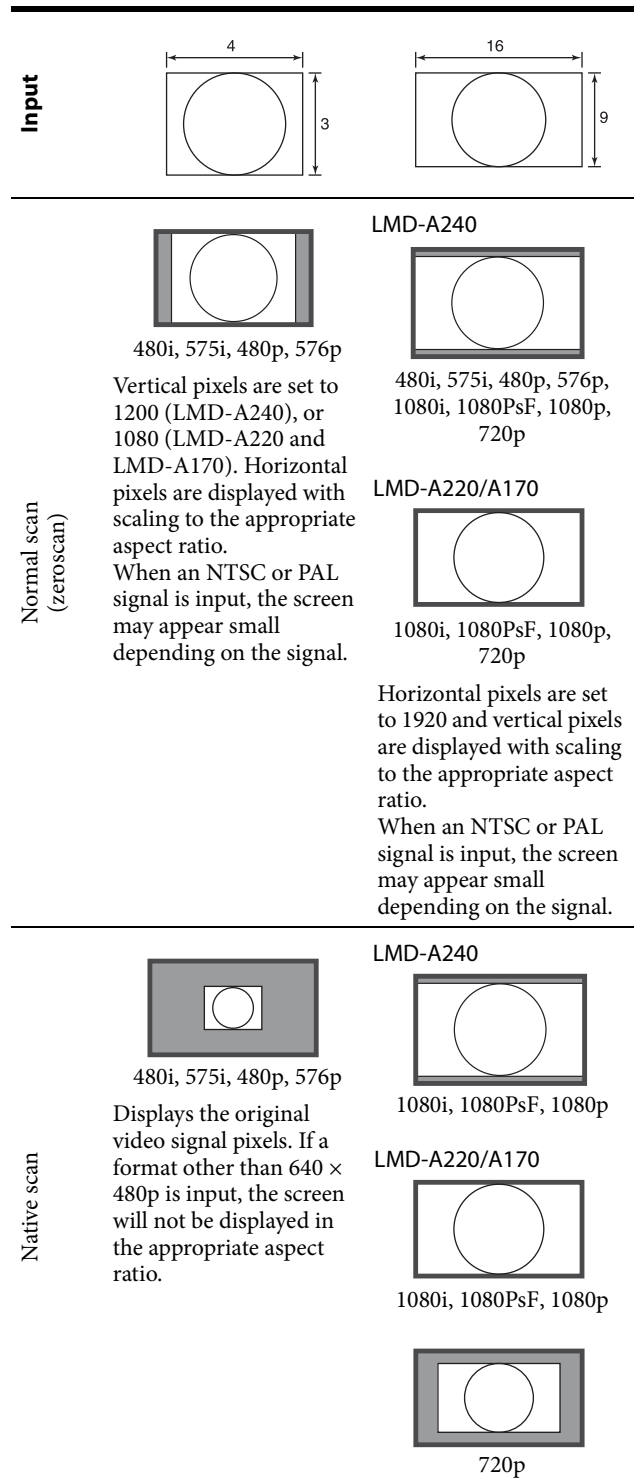
[User Preset3]

[User Preset4]

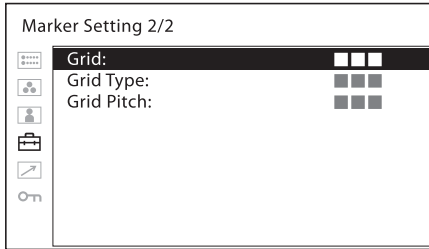
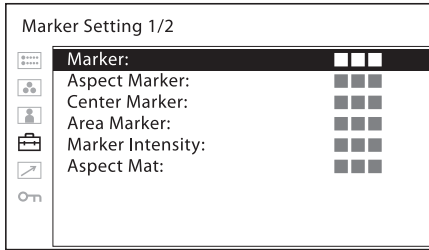
[User Preset5]

Press the button to load the settings saved in the User Preset. You can check the setting status of the User Preset in [User Preset Status] (page 20) in the [User Preset Setting] menu. The saving of the User Preset is performed in [Save] (page 20) in the [User Preset Setting] menu.

Scan mode image

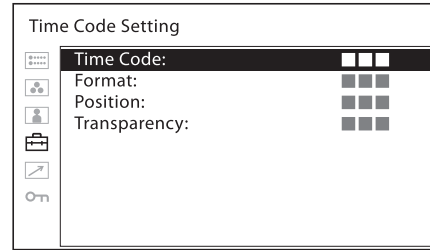


[Marker Setting]



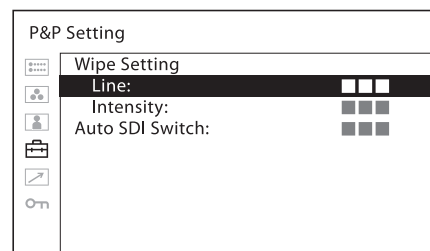
Submenu	Setting
[Marker]	Selects [On] to display the marker and [Off] not to display.
[Aspect Marker]	Selects the aspect ratio of the aspect marker. You can select from among [4:3], [16:9], [15:9], [14:9], [13:9], [1.85:1], [2.39:1], [2.35:1], [Off].
[Center Marker]	Selects the center marker of the picture. You can select from among [1], [2], [Off].
[Area Marker]	Selects the safe area size for the aspect marker. When the aspect marker is set to [Off], this menu selects the safe area size for the effective screen area. You can select from among [Off], [80%], [85%], [88%], [90%], [93%], [95%].
[Marker Intensity]	Sets the luminance to display the [Aspect Marker], [Center Marker], and [Area Marker]. You can select between [High] and [Low].
[Aspect Mat]	Selects whether you put mat on the outside of the marker display. <ul style="list-style-type: none"> • [Off]: No mat is put. • [Gray]: Gray mat is put.
[Grid]	Selects the grid display. Select [On] to display the grid and [Off] not to display.
[Grid Type]	Selects the grid type to be displayed. <ul style="list-style-type: none"> • [Full Screen]: Displays the grid over the entire screen. • [Window]: Displays the grid except for the center part of the screen.
[Grid Pitch]	Selects the grid pitch to be displayed. <ul style="list-style-type: none"> • [60dots]: Sets the grid line interval to 60 dots. • [120dots]: Sets the grid line interval to 120 dots.

[Time Code Setting]



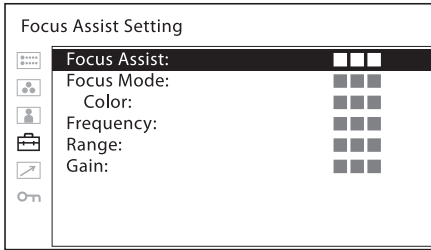
Submenu	Setting
[Time Code]	Selects [On] to display the time code and [Off] not to display.
[Format]	Sets the time code format. <ul style="list-style-type: none"> • [VITC]: To display the time code in VITC format. • [LTC]: To display the time code in LTC format.
[Position]	Sets the position of the time code display. You can select between [Top] and [Bottom]. However, depending on the [Position] settings of the [In-Monitor Display Setting], your selected position of the time code may not be reflected.
[Transparency]	Selects [Black] or [Half] (transparent) for the background of time code display. <ul style="list-style-type: none"> • [Black]: The background becomes black. Displayed image is hidden behind the background. • [Half]: The background becomes transparent. Displayed image appears under the time code display.

[P&P Setting]



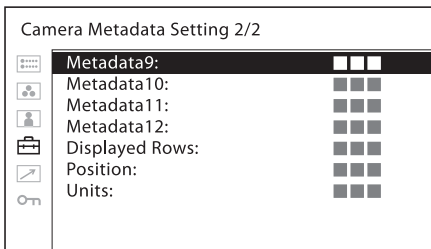
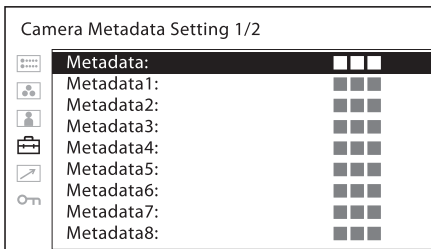
Submenu	Setting
[Wipe Setting]	Sets the wipe screen setting. <ul style="list-style-type: none"> • [Line]: Select [On] to always display the boundary line and [Off] to not display. • [Intensity]: Sets the brightness of the boundary line. Select [Low] or [High].
[Auto SDI Switch]	Sets the automatic switching duration from the SDI signal. Select from among [Short], [Medium], [Long].

[Focus Assist Setting]



Submenu	Setting
[Focus Assist]	Selects [On] to use the camera focus and [Off] not to use.
[Focus Mode]	Switches the camera focus mode. <ul style="list-style-type: none"> • [Color]: Displays the intensified areas of images with color selected in the color setting below. <ul style="list-style-type: none"> • [Color]: Selects the displayed intensified color from among [Red], [Green], [Blue], [Yellow], [White]. • [Standard]: An image with sharpened edges is displayed.
[Frequency]	Sets the center frequency of the edge sharpening signal. You can select from among [Low], [Middle], [Middle High], [High].
[Range]	Sets the target of edge sharpening. You can select from among [Narrow], [Middle], [Wide].
[Gain]	Sets the level of edge sharpening.

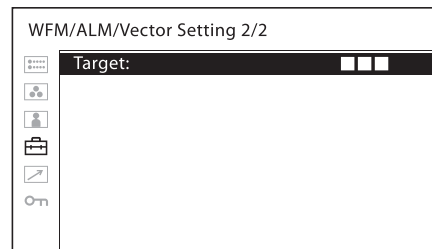
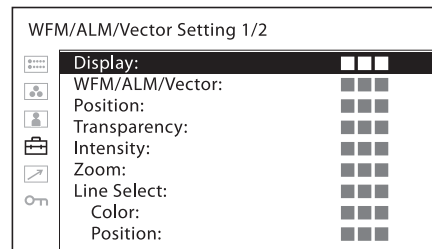
[Camera Metadata Setting]



Submenu	Setting
[Metadata]	Sets the display of the camera metadata. Select [On] to display the camera metadata and [Off] to not display.

Submenu	Setting
[Metadata1] to [Metadata12]	Assigns the camera metadata to be displayed on the screen. You can assign from the following: <ul style="list-style-type: none"> • [Iris F-Number] • [Iris T-Number] • [Focus Position] • [Focus Ring Position] • [Macro Setting] • [Lens Zoom (35mm)] • [Lens Zoom (focal)] • [Zoom Ring Position] • [Optical Extender Mag] • [Lens Attribute] • [Neutral Density Filter] • [Capture Frame Rate] • [Shutter Speed (Angle)] • [Shutter Speed (Time)] • [Camera Master Gain] • [ISO Sensitivity] • [Electrical Extender Mag] • [AWB Mode] • [White Balance] • [Capture Gamma] • [Monitoring Base Curve] • [Monitoring Descript] • [Focus Distance(Cooke)] • [Hyperfocal D. (Cooke)]
[Displayed Rows]	Sets the display row number. <ul style="list-style-type: none"> • [1row]: Displays four items of the metadata in a row. • [2rows]: Displays eight items of the metadata in two rows. • [3rows]: Displays 12 items of the metadata in three rows.
[Position]	Sets the display position of the metadata. Select [Top] or [Bottom].
[Units]	Sets the unit of distance. Select [Feet] or [Meter].

[WFM/ALM/Vector (waveform monitor, audio level meter, and vectorscope) Setting]

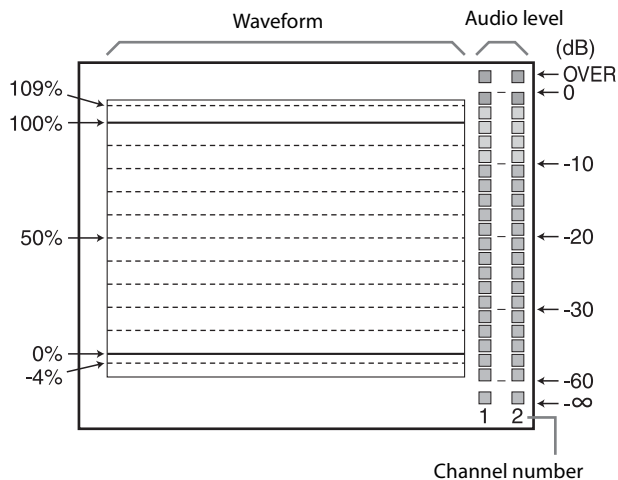


Submenu	Setting
[Display]	Select [On] to display the [WFM] (waveform monitor), [ALM] (audio level meter), or [Vector] (Vectorscope); or [Off] not to display.

- | | |
|------------------|---|
| [WFM/ALM/Vector] | <ul style="list-style-type: none"> • [WFM]: Displays the waveform monitor. • [ALM]: Displays the audio level meter. • [Vector]: Displays the vectorscope. <p>When [WFM] is selected, the waveform and audio level are displayed. When YCbCr format signal is input, the Y signal waveform is displayed. When RGB format signal is input, the G signal waveform is displayed. When [ALM] is selected, the audio level is displayed in eight channels.</p> <p>When [Vector] is selected, the color component of the image signal and the audio levels are displayed. When SDI signal is input, the audio levels for channels selected in [SDI Audio Setting] are displayed.</p> |
|------------------|---|

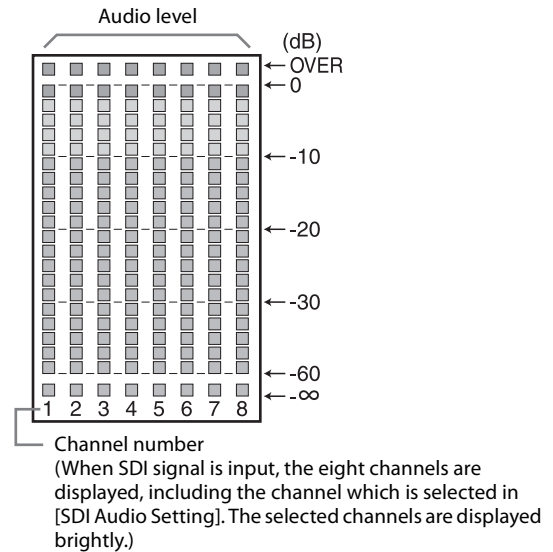
Each display type is illustrated below.
(The waveform percentage and audio level units/values do not appear on the display.)

When [WFM] is selected

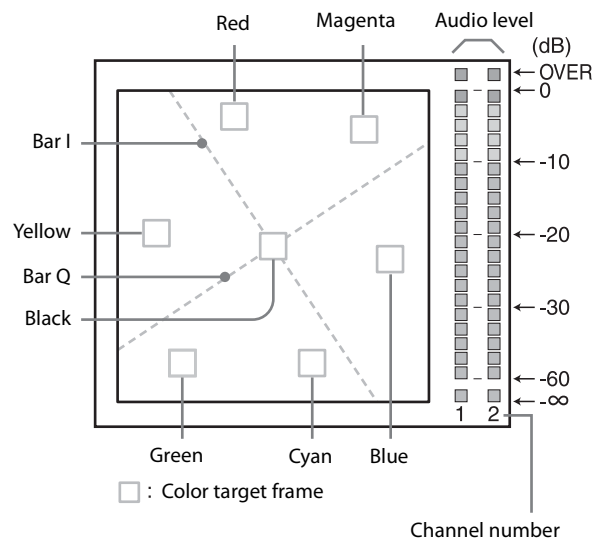


Submenu	Setting
---------	---------

When [ALM] is selected



When [Vector] is selected



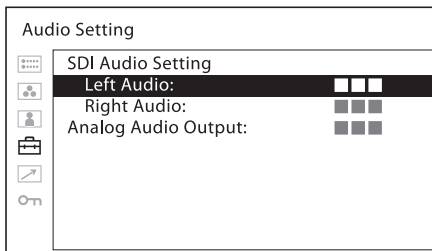
[Position]	Sets the position of the WFM/ALM/vectorscope display. You can select from among [Top Left], [Top Right], [Bottom Left], [Bottom Right].
------------	---

[Transparency]	<p>Selects [Black] or [Half] (transparent) for the background of the WFM/ALM/vectorscope display.</p> <ul style="list-style-type: none"> • [Black]: The background is black. Displayed image is hidden behind the background. • [Half]: The background is transparent. Displayed image can be seen indistinctly behind the WFM/ALM/vectorscope display.
----------------	---

[Intensity]	Sets the brightness of the waveform, etc. You can select from among [Low], [Middle], [High].
-------------	--

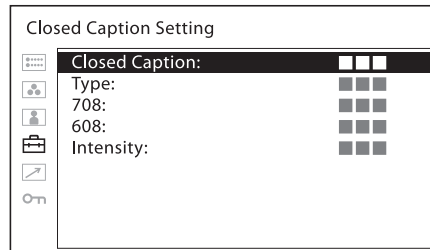
Submenu	Setting
[Zoom]	When [On] is set, 0-20 IRE areas will be zoomed when [WFM] is selected, or black areas will be zoomed when [Vector] is selected.
[Line Select]	Select [On] to display the waveform of the line assigned in [Position] below, when [WFM] is selected. <ul style="list-style-type: none"> • [Color]: Selects the displayed line color from among [Red], [Green], [Blue], [Yellow], [White]. • [Position]: Sets the line position. When the numerical value is increased, the line will move down; when decreased, the line will move up.
[Target]	Select [75%] or [100%]. Switches the vectorscope target between 75% and 100%.

[Audio Setting]



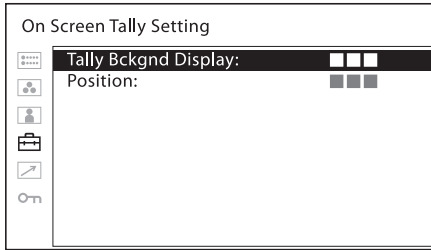
Submenu	Setting
[SDI Audio Setting]	Sets the audio channel when SDI signal is input. <ul style="list-style-type: none"> • [Left Audio]: Selects from channels [CH1] to [CH16]. • [Right Audio]: Selects from channels [CH1] to [CH16]. <p>When a channel from [CH1] to [CH8] is selected in [Left Audio], you can select a channel from [CH1] to [CH8] in [Right Audio]. When a channel from [CH9] to [CH16] is selected in [Left Audio], you can select a channel from [CH9] to [CH16] in [Right Audio]. You can display the L/R audio levels of the selected channels. (see [WFM/ALM/Vector (waveform monitor, audio level meter, and vectorscope) Setting] (page 27)).</p>
[Analog Audio Output]	Select an audio format to output from speakers, headphone jack, and AUDIO OUT connector. <ul style="list-style-type: none"> • [Embedded]: Outputs an audio signal embedded in SDI or HDMI signal. • [Analog]: Outputs an audio signal that comes from the AUDIO IN connector.

[Closed Caption Setting]



Submenu	Setting
[Closed Caption]	Select [On] to display closed caption and [Off] not to display.
[Type]	Sets the closed caption display type. <ul style="list-style-type: none"> • [Auto1]: Select this to display automatically 608(VBI)³⁾ when SD-SDI signal is input, or to display automatically 708¹⁾ when HD-SDI signal is input. • [Auto2]: Select this to display automatically 608(VBI)³⁾ when SD-SDI signal is input, or to display automatically 608(708)²⁾ when HD-SDI signal is input. • [708]: Select this to display 708¹⁾ when HD-SDI signal is input. • [608(708)]: Select this to display 608(708)²⁾ when HD-SDI signal is input. • [608(VBI)]: Select this to display 608(VBI)³⁾ when SD-SDI signal is input. <p>1) 708 is a closed caption signal conforming to the EIA/CEA-708 standard. 2) 608(708) is a closed caption signal conforming to the EIA/CEA-608 standard, and which is transmitted as EIA/CEA-708 standard. 3) 608(VBI) is a closed caption signal conforming to the EIA/CEA-608 standards, and which is transmitted as Line 21.</p>
[708]	Sets the closed caption type for 708. Select from [Service1] to [Service6].
[608]	Sets the closed caption type for 608(708) and 608(VBI). Select from among [CC1], [CC2], [CC3], [CC4], [Text1], [Text2], [Text3], [Text4].
[Intensity]	Sets the luminance of the displayed characters. Select [Low] or [High].

[On Screen Tally Setting]



Submenu	Setting
[Tally Bckgnd Display]	The tally is displayed on the screen of this unit. When [Tally Bckgnd Display] is set to [On], the mat is displayed on the tally display area. When [Off], the tally is displayed directly on the video signal.
[Position]	Sets the display position of tally. Select [Top] or [Bottom].

[In-Monitor Display Setting]

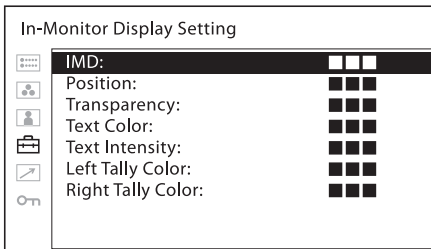
The monitor supports “TSL UMD Protocol - V5.00” provided by Television System Ltd.

[Position], [Transparency], [Text Color], [Text Intensity], [Left Tally Color], [Right Tally Color] can be set in the setting menu.



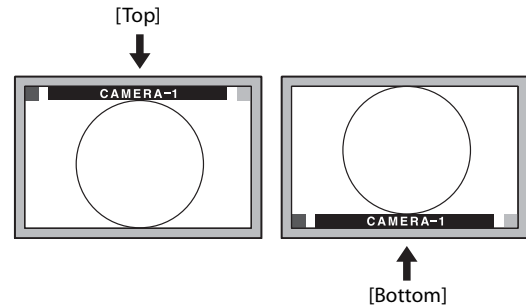
Notes

- Set values to “0x0000” in SCREEN and INDEX of TSL protocol setting before displaying IMD.
- The monitor displays English alphabet, numbers, symbolic codes and Japanese letters (i.e. Hiragana and Katakana). Certain symbols cannot be displayed.
- Up to 16 characters can be displayed in English and Japanese syllabary characters (Hiragana and Katakana).
- Does not function when PC signal format is input.



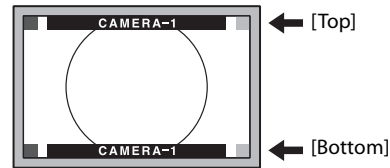
Submenu	Setting
[IMD]	Selects [On] to activate IMD and [Off] to turn it off.
Note	
Setting [IMD] to [On] turns off the following function:	
<ul style="list-style-type: none"> • [Camera Metadata] 	
[Position]	Sets the position of IMD. Select [Top] or [Bottom].

LMD-A240



When the IMD position is set to [Top], the video image is shifted downward. When the IMD position is set to [Bottom], the video image is shifted upward.

LMD-A220/A170

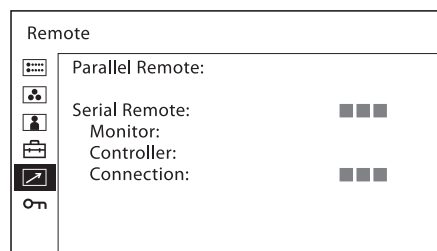


The IMD is displayed inside of the effective screen area.

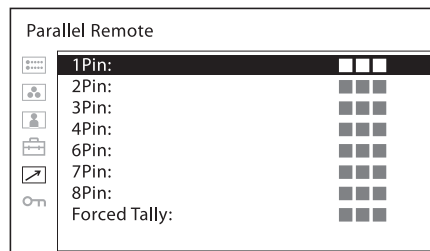
[Transparency]	Selects [Black] or [Half] for the background of IMD. <ul style="list-style-type: none"> • [Black]: The background is black. Displayed image is hidden behind the background. • [Half]: The background is transparent. Displayed image can be seen indistinctly behind the IMD display.
[Text Color]	Selects the color of text displayed in IMD. Selecting [Remote Specified] sets the same color as set in TSL command. Selecting from other than [Remote Specified] sets the following colors, regardless of the command setting. <ul style="list-style-type: none"> • [Remote Specified] • [White] • [Red] • [Green] • [Blue] • [Yellow] • [Cyan] • [Magenta] • [Amber]

Submenu	Setting
[Text Intensity]	<p>Selects brightness of text displayed in IMD.</p> <p>Selecting [Remote Specified] sets the brightness same as set in TSL command. Selecting from other than [Remote Specified] sets the following brightness, regardless of the command setting.</p> <ul style="list-style-type: none"> • [Remote Specified] • [High] • [Middle] • [Low]
[Left Tally Color]	<p>Selects the color of left tally lamp displayed in IMD.</p> <p>Selecting [Remote Specified] sets the same color as set in TSL command. Selecting from other than [Remote Specified] sets the following colors, regardless of the command setting.</p> <ul style="list-style-type: none"> • [Remote Specified] • [White] • [Red] • [Green] • [Blue] • [Yellow] • [Cyan] • [Magenta] • [Amber]
[Right Tally Color]	<p>Selects the color of right tally lamp displayed in IMD.</p> <p>Selecting [Remote Specified] sets the same color as set in TSL command. Selecting from other than [Remote Specified] sets the following colors, regardless of the command setting.</p> <ul style="list-style-type: none"> • [Remote Specified] • [White] • [Red] • [Green] • [Blue] • [Yellow] • [Cyan] • [Magenta] • [Amber]

[Remote] menu



[Parallel Remote]



Submenu	Setting
[Parallel Remote]	<p>Selects the PARALLEL REMOTE connector pins for which you want to change the function.</p> <p>You can assign various functions to pins 1 to 4 and pins 6 to 8. The following lists the functions you can assign to the pins.</p> <ul style="list-style-type: none"> • [SDI1] • [SDI2] • [HDMI] • [Composite] • [80% Area Maker] • [85% Area Maker] • [88% Area Maker] • [90% Area Maker] • [93% Area Maker] • [95% Area Maker] • [Center Marker] • [16:9 Marker] • [15:9 Marker] • [14:9 Marker] • [13:9 Marker] • [1.85:1 Marker] • [2.39:1 Marker] • [2.35:1 Marker] • [4:3 Marker] • [Aspect Mat] • [Grid Full Screen] • [Grid Window] • [Camera Metadata] • [Chroma Up] • [Auto SDI Switch] • [Blending] • [Difference] • [Side by Side] • [Wipe] • [Tally Red] • [Tally Green] • [Normal Scan] • [Native Scan] • [4:3] • [16:9] • [Flip H] • [Flip V] • [Flip H/V] • [WFM/ALM/Vector] • [Focus Assist] • [Mono] • [Blue Only] • [---] ([---]: No function is assigned.)

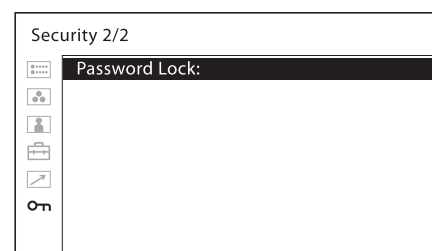
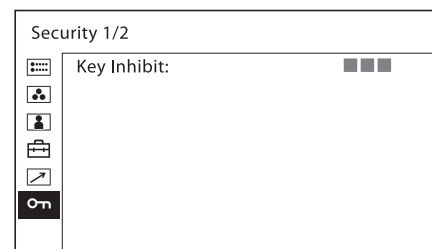
Submenu	Setting
	<p>Notes</p> <ul style="list-style-type: none"> If you use the parallel remote function, you need to connect cables. For more details, see page 12. Set [Marker] (page 26) in [Marker Setting] to [On] to control the aspect marker and center marker.
[Forced Tally]	<p>The tally lamp function is forcibly assigned to 7 pin and 8 pin of the PARALLEL REMOTE connector. Selecting [On] assigns tally lamp green to 7 pin and tally lamp red to 8 pin.</p> <p>[Off]: The tally lamp function is not forcibly assigned. [On]: Forcibly assigns the tally lamp function.</p>
	<p>Note</p> <p>When [Off] is selected, any listed functions can be assigned to 7 and 8 pins. Selecting [On] with any function other than the tally lamp assigned to 7 and 8 pins will ignore this setting, and the tally lamp is forcibly assigned to 7 and 8 pins instead.</p>

[Serial Remote]

Submenu	Setting
[Serial Remote]	<p>Selects the mode to be used.</p> <ul style="list-style-type: none"> [Off]: The serial remote does not function. [On]: The serial remote functions.
[Monitor]	<p>Sets the monitor setting.</p> <ul style="list-style-type: none"> [Monitor ID]: Sets the ID of the monitor. [Group ID]: Sets the group ID of the monitor. [IP Address]: Sets the IP address. [Subnet Mask]: Sets the subnet mask. ([255.255.255.000]) [Default Gateway]: Sets the default gateway [On] or [Off]. <ul style="list-style-type: none"> [Address]: Sets the default gateway. [Cancel]: Selects to cancel the setting. [Confirm]: Selects to save the setting.
[Controller]	<p>Sets the address of the remote controller.</p> <ul style="list-style-type: none"> [IP Address]: Sets the IP address. [Subnet Mask]: Sets the subnet mask. ([255.255.255.000]) [Default Gateway]: Sets the default gateway [On] or [Off]. <ul style="list-style-type: none"> [Address]: Sets the default gateway. [Cancel]: Selects to cancel the setting. [Confirm]: Selects to save the setting.

Submenu	Setting
[Connection]	<p>Sets the connection of the monitor and the controller.</p> <p>[LAN]: for connection via a network [Peer to Peer]: for one to one connection</p>

[Security] menu



Submenu	Setting
[Key Inhibit]	<p>You can lock the setting so that they cannot be changed by an unauthorized user. Select [On] or [Off].</p> <p>If you set to [On], all items are displayed in black, indicating the items are locked.</p>
[Password Lock]	<p>You can protect the setting with a password so that the settings saved in the color temperature for [User1] and the User Preset for [User Preset1] cannot be changed.</p> <p>When you protect the values with a password, set a four-digit number. The initial password is 0000. When you use [Password Lock], change the initial password first.</p> <ul style="list-style-type: none"> [Color Temp/User Pre.]: Select [On] to protect the setting values saved in the color temperature for [User1] and the User Preset for [User Preset1]. Select [Off] to not protect by the password. [Change Password]: Changes the password.

Troubleshooting

This section may help you isolate the cause of a problem and as a result, eliminate the need to contact technical support.

- **The unit cannot be operated** → The key protection function works. Set the [Key Inhibit] setting to [Off] in the [Security] menu.
Or, a function that does not work is assigned to a function button. When the menu is not displayed, press the menu selection control to confirm the functions assigned to function buttons.
- **The black bars appear at the upper and lower or left and right positions of the display** → When the signal aspect ratio is different from that of the panel, the black bars appear. This is not a failure of the unit.
- **Adjustments and settings cannot be made** → Adjustments and settings may not be possible depending on the input signals and the status of the unit. See “Input Signals and Adjustable/Setting Items” (page 10).
- **The screen becomes dark and the unit turns off** → If the internal temperature of the unit increases, the screen may become dark and the unit may turn off. In this case, refer to Sony qualified service personnel.

Specifications

Picture performance

Panel	a-Si TFT Active Matrix LCD
Picture size (diagonal)	LMD-A240: 611.3 mm (24 ¹ / ₈ inches) LMD-A220: 546.1 mm (21 ¹ / ₂ inches) LMD-A170: 419.6 mm (16 ⁵ / ₈ inches)
Effective picture size (H × V)	LMD-A240: 518.4 × 324.0 mm (20 ¹ / ₂ × 12 ⁷ / ₈ inches) LMD-A220: 476.1 × 267.8 mm (18 ³ / ₄ × 10 ⁵ / ₈ inches) LMD-A170: 365.8 × 205.7 mm (14 ¹ / ₂ × 8 ¹ / ₈ inches)
Resolution (H × V)	LMD-A240: 1920 × 1200 pixels (WUXGA) LMD-A220/A170: 1920 × 1080 pixels (Full HD)
Aspect	LMD-A240: 16:10 LMD-A220/A170: 16:9
Pixel efficiency	99.99%
Viewing angle (Panel specification)	89°/89°/89°/89° (typical) (up/down/left/right, contrast > 10:1)
Normal scan	0% scan
Color temperature	D65, D93
Warm-up time	Approx. 30 minutes To provide stable picture quality, turn on the power of the monitor and leave it in this state for more than 30 minutes.

Input

SDI input connector	BNC type (2)
HDMI input connector	HDMI (1) HDCP correspondence
Composite input (NTSC/PAL) connector	BNC type (1) 1 V _{p-p} ± 3 dB sync negative
Audio input connector	Stereo mini jack (1) -5 dBu 47 kΩ or higher
Remote input connector	Parallel remote RJ-45 modular connector 8-pin (1)
	Serial remote RJ-45 modular connector (1) (ETHERNET, 10BASE-T/100BASE-TX)
DC input connector	

XLR 4-pin (male) (1)
DC 12 V to 17 V (output impedance
0.05 Ω or less)

Output

SDI (3G/HD/SD) output connector
BNC type (2)
Output signal amplitude: 800 mVp-p
±10%
Output impedance: 75 Ω unbalanced

Composite output connector
BNC type (1)
Loop-through, with 75 Ω automatic
terminal function

Audio monitor output connector
Stereo mini jack (1)

Built-in speaker output
1.0 W Monaural

Headphones output connector
Stereo mini jack (1)

General

Power LMD-A240: AC 100 V to 240 V, 0.5 A
to 0.4 A, 50/60 Hz
DC 12 V to 17 V, 3.6 A to 2.6 A
LMD-A220: AC 100 V to 240 V, 0.5 A
to 0.4 A, 50/60 Hz
DC 12 V to 17 V, 3.4 A to 2.4 A
LMD-A170: AC 100 V to 240 V, 0.5 A
to 0.4 A, 50/60 Hz
DC 12 V to 17 V, 3.6 A to 2.5 A

Power consumption

LMD-A240:
Approx. 51 W (max.)
Approx. 45 W (average power
consumption in the default status)

LMD-A220:
Approx. 47 W (max.)
Approx. 43 W (average power
consumption in the default status)

LMD-A170:
Approx. 49 W (max.)
Approx. 42 W (average power
consumption in the default status)

Inrush current (1) Maximum possible inrush current
at initial switch-on (Voltage changes
caused by manual switching):
45 A peak, 5 A r.m.s. (240V AC)
(2) Inrush current after a mains
interruption of five seconds (Voltage
changes caused at zero-crossing):
15 A peak, 3 A r.m.s. (240V AC)

Operating conditions

Temperature
0 °C to 35 °C (32 °F to 95 °F)
Recommended temperature
20 °C to 30 °C (68 °F to 86 °F)

Humidity 30% to 85% (no condensation)
Pressure 700 hPa to 1060 hPa
Storage and transport conditions
Temperature

-20 °C to +60 °C (-4 °F to +140 °F)

Humidity 0% to 90%
Pressure 700 hPa to 1060 hPa

Accessories supplied

AC power cord (1)
AC plug holder (1)
Handle (1) (LMD-A220/A170 only)
Fixing screws for the handle (4) (LMD-
A220/A170 only)
Before Using This Unit (1)
CD-ROM (1)
European Representative (1)

Optional accessories

Monitor stand
SU-561
Mounting bracket
MB-L22 (For LMD-A220)
MB-L17 (For LMD-A170)
Protection kit
BKM-PL17 (For LMD-A170)

Design and specifications are subject to change without
notice.

Notes

- Always verify that the unit is operating properly before use. SONY WILL NOT BE LIABLE FOR DAMAGES OF ANY KIND INCLUDING, BUT NOT LIMITED TO, COMPENSATION OR REIMBURSEMENT ON ACCOUNT OF THE LOSS OF PRESENT OR PROSPECTIVE PROFITS DUE TO FAILURE OF THIS UNIT, EITHER DURING THE WARRANTY PERIOD OR AFTER EXPIRATION OF THE WARRANTY, OR FOR ANY OTHER REASON WHATSOEVER.
- SONY WILL NOT BE LIABLE FOR CLAIMS OF ANY KIND MADE BY USERS OF THIS UNIT OR MADE BY THIRD PARTIES.
- SONY WILL NOT BE LIABLE FOR THE TERMINATION OR DISCONTINUATION OF ANY SERVICES RELATED TO THIS UNIT THAT MAY RESULT DUE TO CIRCUMSTANCES OF ANY KIND.

SONY WILL NOT BE LIABLE FOR DAMAGES OF ANY KIND RESULTING FROM A FAILURE TO IMPLEMENT PROPER SECURITY MEASURES ON TRANSMISSION DEVICES, UNAVOIDABLE DATA LEAKS RESULTING FROM TRANSMISSION SPECIFICATIONS, OR SECURITY PROBLEMS OF ANY KIND.

Depending on the operating environment, unauthorized third parties on the network may be able to access the unit. When connecting the unit to the network, be sure to confirm that the network is protected securely.

Available video signal formats

The unit is applicable to the following video signal formats.

System	Com- posite	SD/ HD	Dual Link	3G	HDMI
575/50i (PAL)	○	○	-	-	○
480/60i (NTSC) ¹⁾	○	○	-	-	○
576/50p	-	-	-	-	○
480/60p ¹⁾	-	-	-	-	○
640 × 480/60p ¹⁾	-	-	-	-	○
1080/24PsF ¹⁾	-	○	○ ³⁾	○ ³⁾	-
1080/25PsF ²⁾	-	○	○ ³⁾	○ ³⁾	-
1080/30PsF ^{1) 2)}	-	○	○ ³⁾	○ ³⁾	-
1080/24p ¹⁾	-	○	○ ³⁾	○ ³⁾	○
1080/25p	-	○	○ ³⁾	○ ³⁾	○
1080/30p ¹⁾	-	○	○ ³⁾	○ ³⁾	○
1080/50i	-	○	○ ³⁾	○ ³⁾	○
1080/60i ¹⁾	-	○	○ ³⁾	○ ³⁾	○
1080/50p	-	-	○ ⁴⁾	○ ⁴⁾	○
1080/60p ¹⁾	-	-	○ ⁴⁾	○ ⁴⁾	○
720/24p ¹⁾	-	○	-	-	-
720/25p	-	○	-	-	-
720/30p ¹⁾	-	○	-	-	-
720/50p	-	○	-	○ ³⁾	○
720/60p ¹⁾	-	○	-	○ ³⁾	○
2048/24PsF ¹⁾	-	○	○ ³⁾	○ ³⁾	-
2048/25PsF ²⁾	-	○	○ ³⁾	○ ³⁾	-
2048/30PsF ^{1) 2)}	-	○	○ ³⁾	○ ³⁾	-
2048/24p ¹⁾	-	○	○ ³⁾	○ ³⁾	-
2048/25p	-	○	○ ³⁾	○ ³⁾	-
2048/30p ¹⁾	-	○	○ ³⁾	○ ³⁾	-
2048/48p ¹⁾	-	-	○ ⁴⁾	○ ⁴⁾	-
2048/50p	-	-	○ ⁴⁾	○ ⁴⁾	-
2048/60p ¹⁾	-	-	○ ⁴⁾	○ ⁴⁾	-

○ : Adjustable/can be set
 - : Not adjustable/cannot be set

- 1) Compatible with 1/1.001 frame rates.
- 2) 1080/25PsF, 30PsF are displayed as 1080/25PsF, 30PsF on the screen if the payload ID is added to the video signal, or displayed as 1080/50I, 60I if the ID is not added.
- 3) 10-bit 4:4:4 YCbCr and 4:4:4 RGB signals are supported.
- 4) 10-bit 4:2:2 YCbCr signal is supported.

Applicable signals from PC

This unit is compatible with the following PC signals.

System	HDMI/DVI		
	Resolution	Dot clock (MHz)	fH (kHz) fV (Hz)
640 × 480	25.175	31.5	
1280 × 768	68.250	47.4	
1280 × 1024	108.000	64.0	
1360 × 768	85.500	47.7	
1440 × 900	88.750	55.5	60
1680 × 1050	119.000	64.7	
1600 × 1200 (LMD-A240 only)	162.000	75.0	
1920 × 1200 (LMD-A240 only)	154.000	74.0	

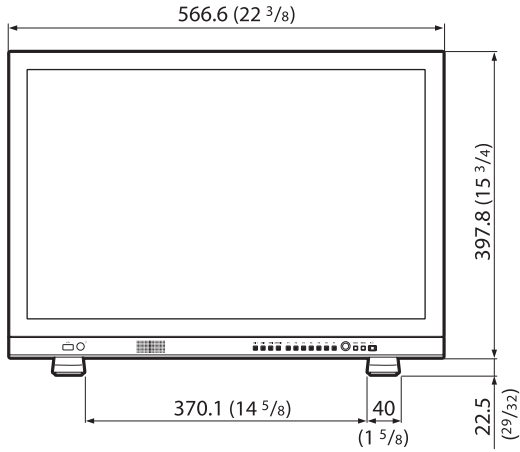
Note

The sides of the displayed picture may be hidden depending on the input signal.

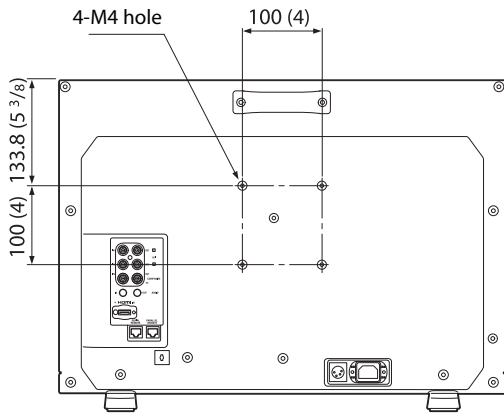
Dimensions

LMD-A240

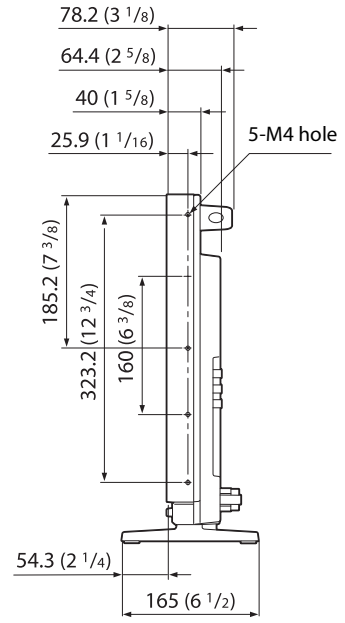
Front



Rear



Side



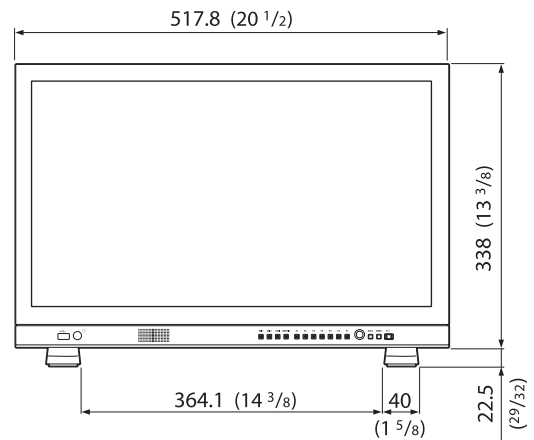
Unit: mm (inches)

Mass:

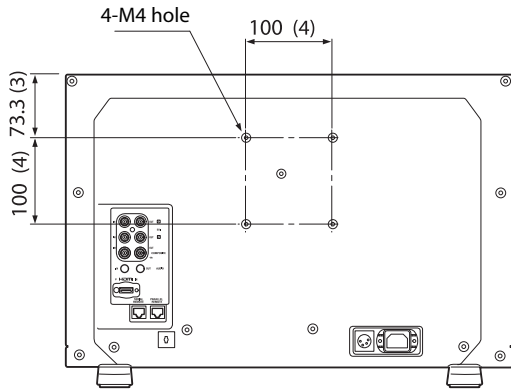
Approx. 7.6 kg (16 lb 12 oz)

LMD-A220

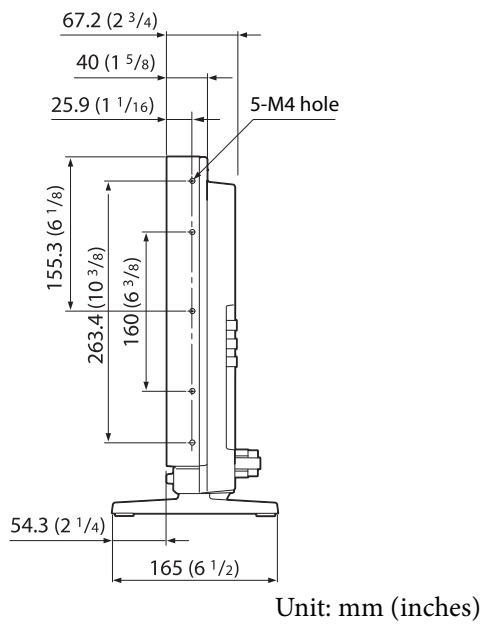
Front



Rear



Side

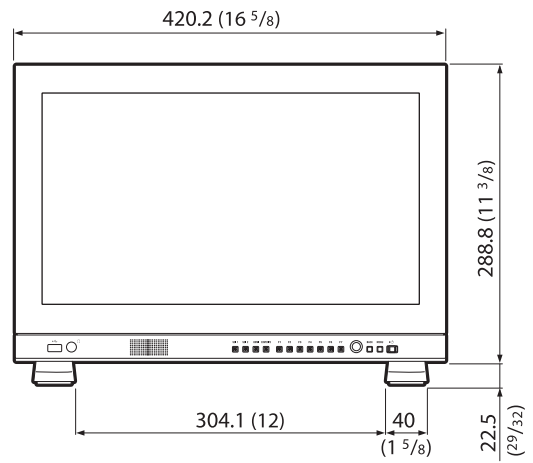


Mass:
Approx. 5.9 kg (13 lb 0.12 oz)

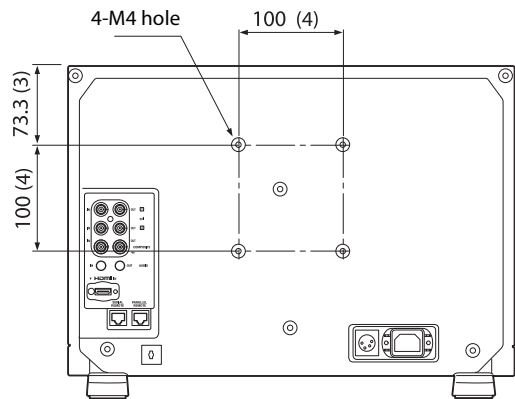
Unit: mm (inches)

LMD-A170

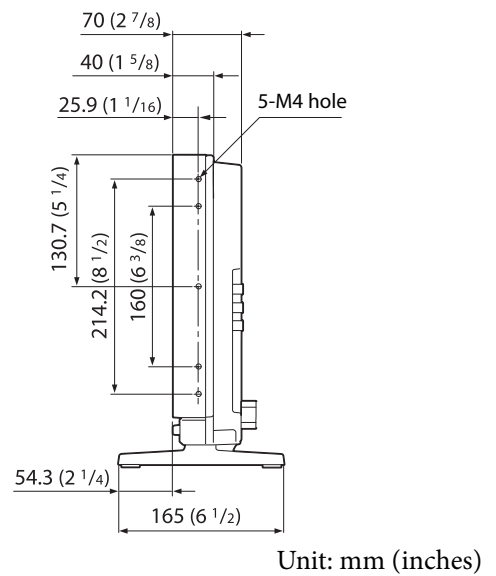
Front



Rear



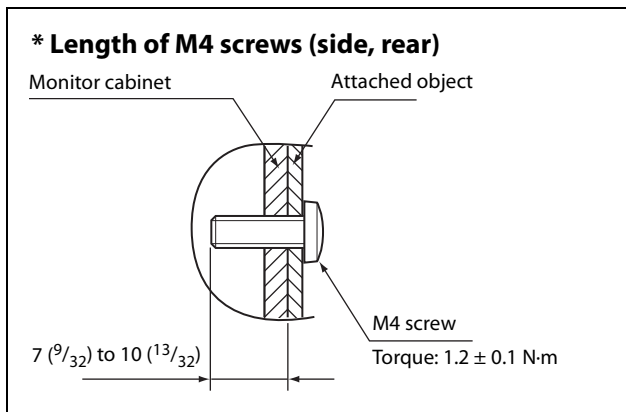
Side



Mass:
Approx. 4.9 kg (10 lb 13 oz)

Unit: mm (inches)

LMD-A240/A220/A170



Unit: mm (inches)

