



Display

Date: **February 7, 2000**

Model: **PVM-1942Q, PVM-1943MD, PVM-1944Q
 PVM-2042QM, PVM-2043MD, PVM-2044QM**

Subject: **CORRECTING ARC BETWEEN TRACES**

Serial No: **ALL**

DESCRIPTION

An arc may occur between trace of cathode on diode D901 and trace from collector of H OUT transistor on the P board (side A), possibly damaging the board.

To correct this condition during repair or maintenance, exchange the locations of D901 and resistor R901 as shown in Figure 1.

NOTE: To prevent possible board damage, implement this correction *before* symptom occurs.

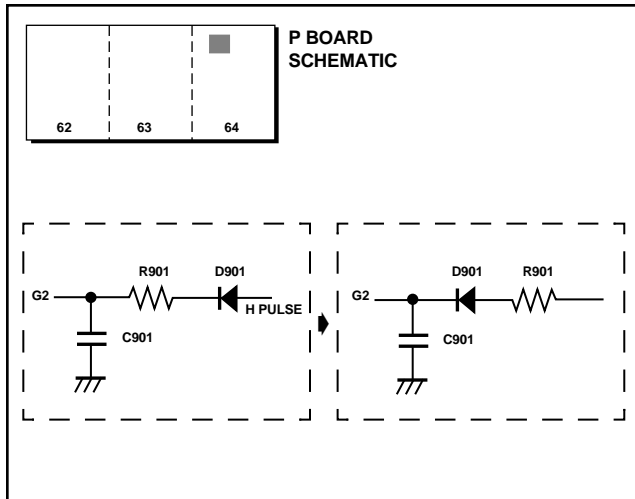


Figure 1