

DAEWOO

Service Manual
XGA COLOR MONITOR
Model : 531X

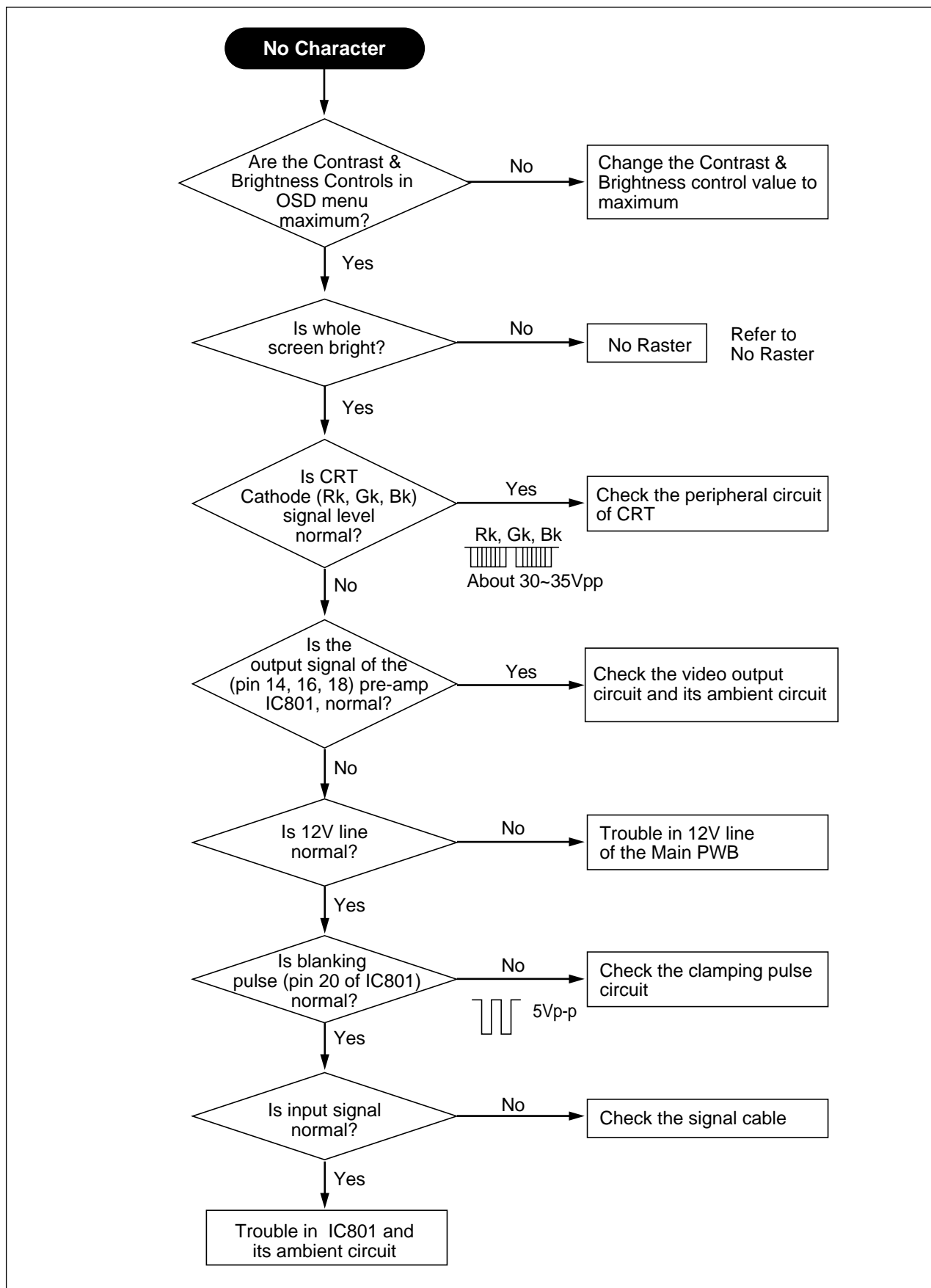
DAEWOO ELECTRONICS CO., LTD.

<http://svc.dwe.co.kr>

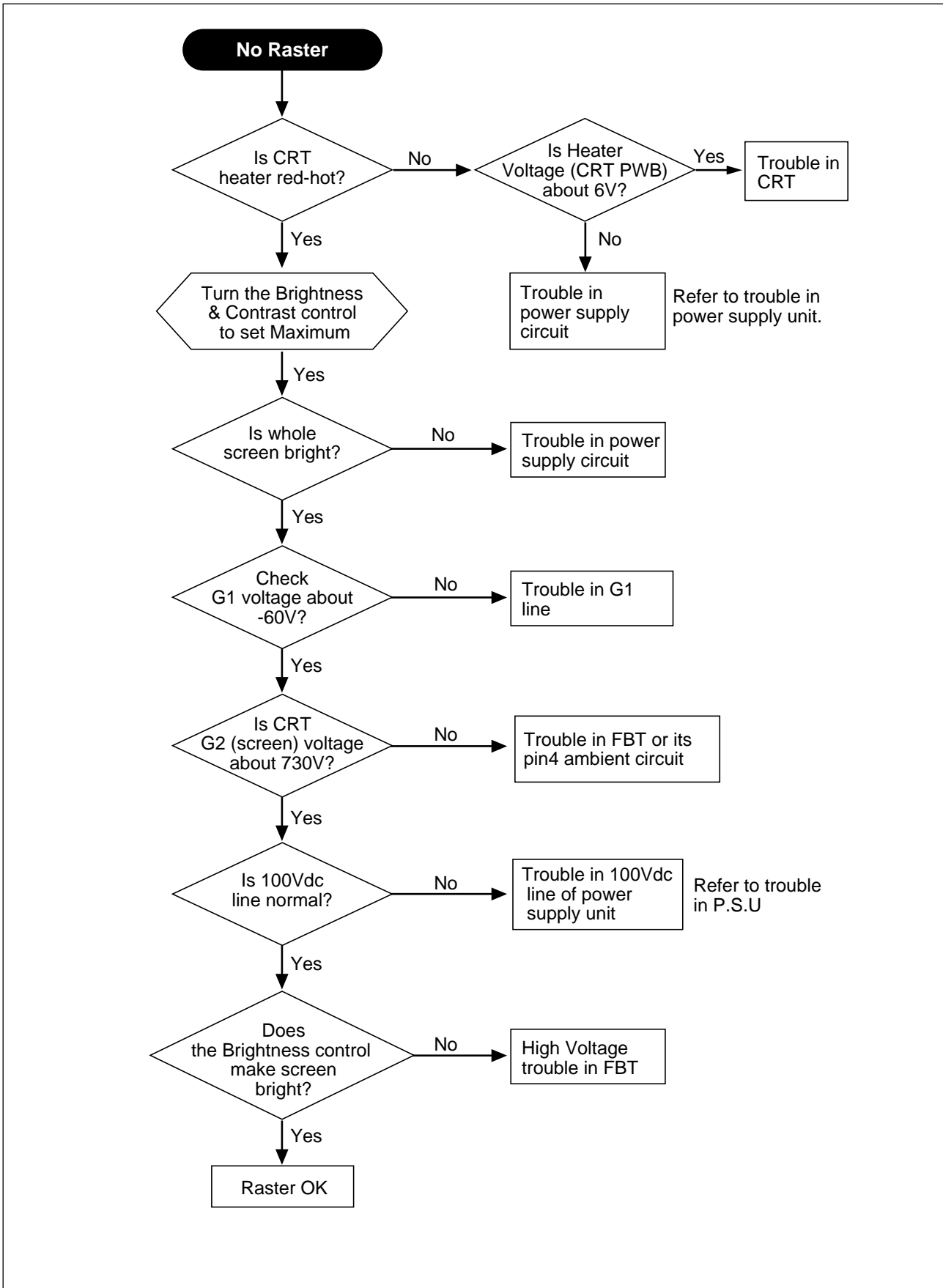
September, 2000

TROUBLESHOOTING HINTS

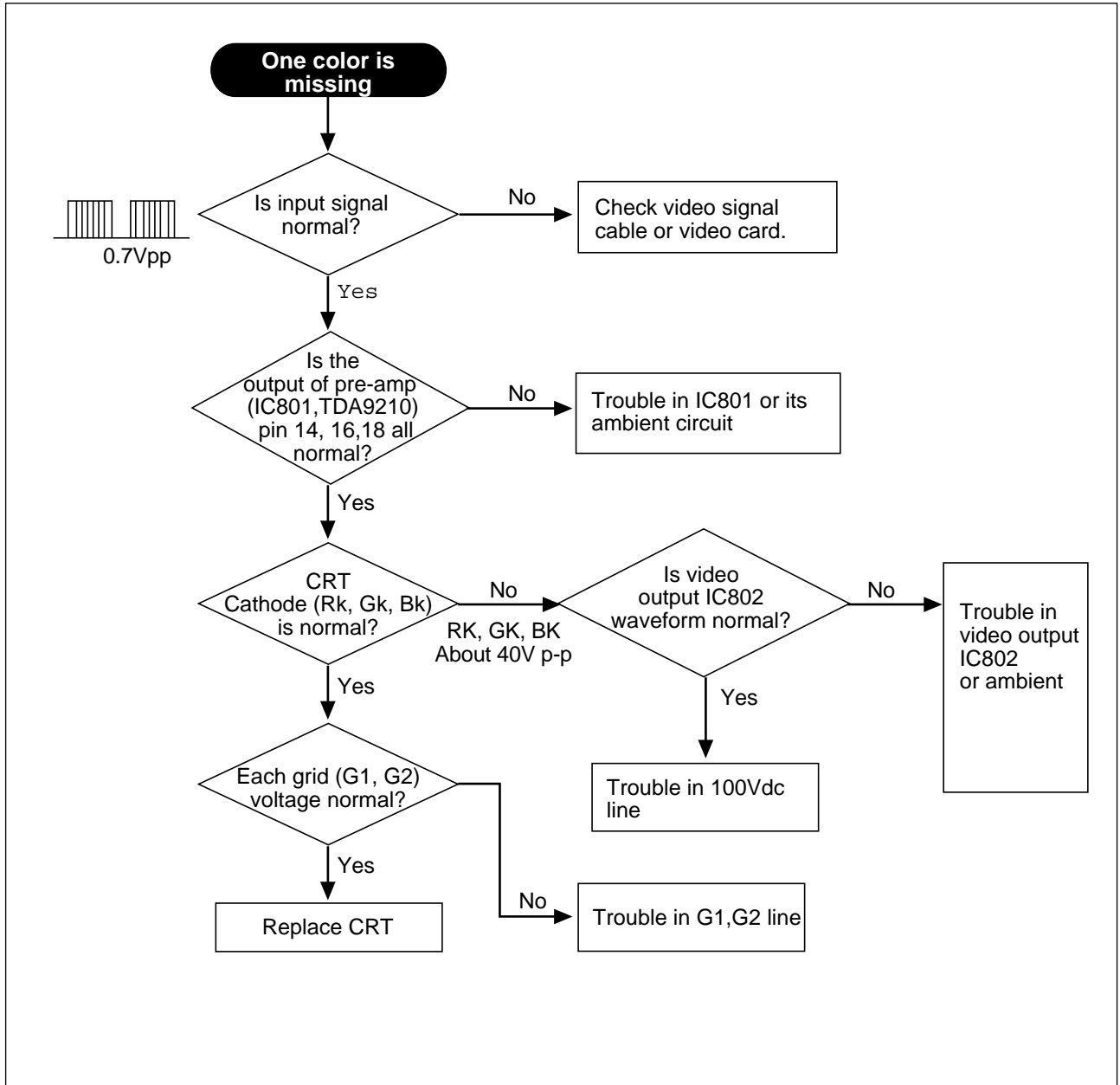
1. No Character



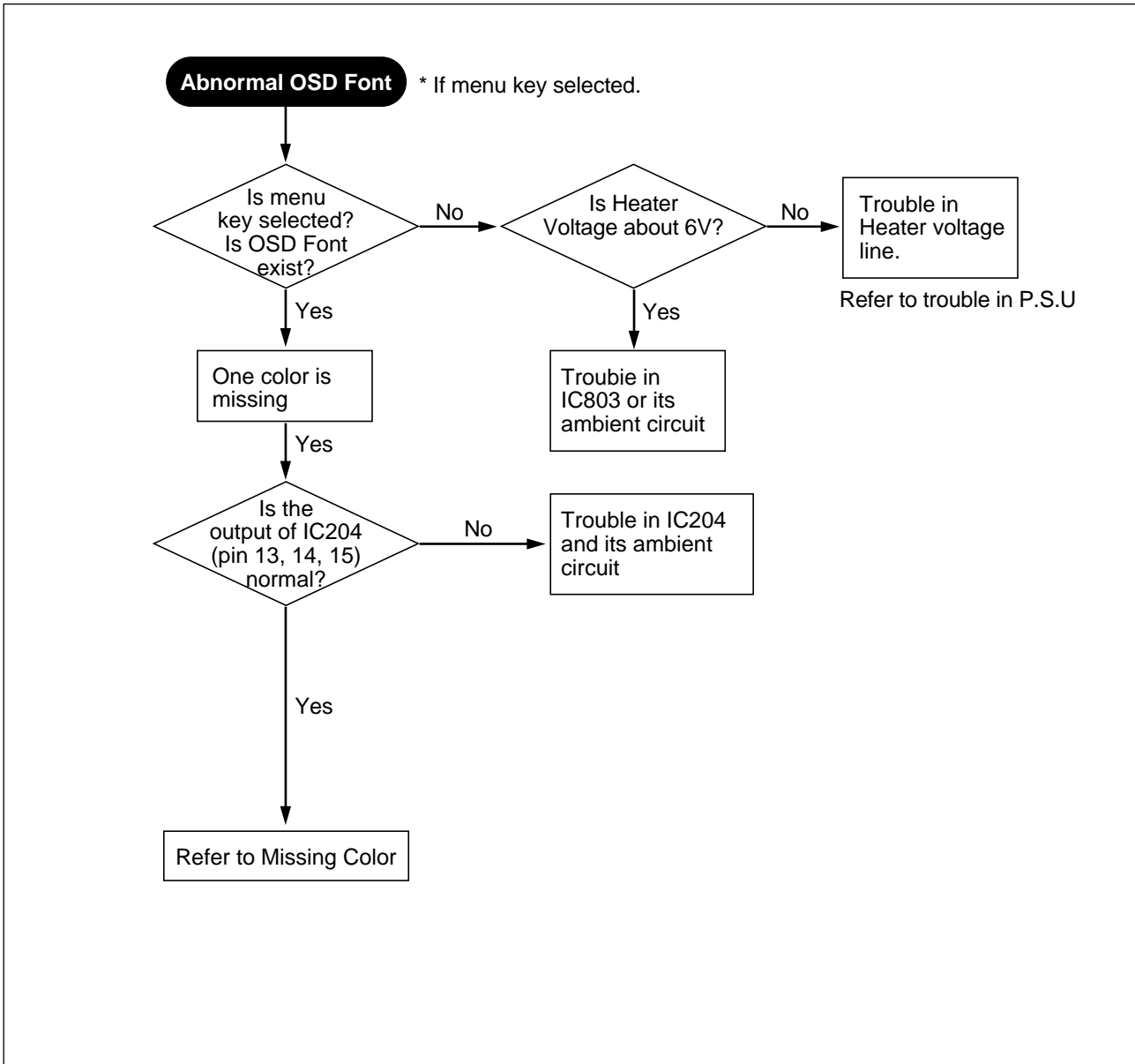
2. No Raster



3. A Missing Color

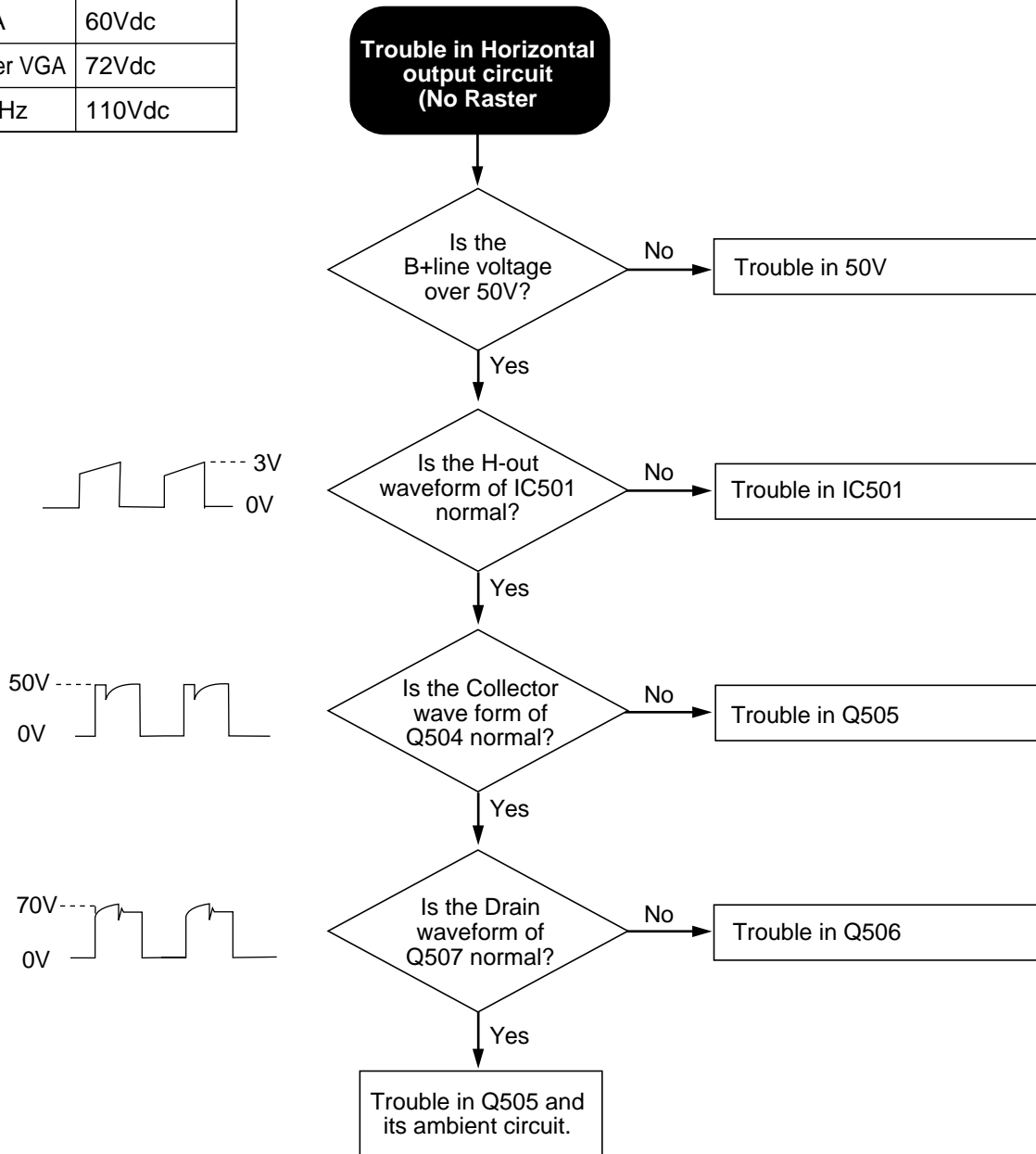


4. Abnormal OSD Font



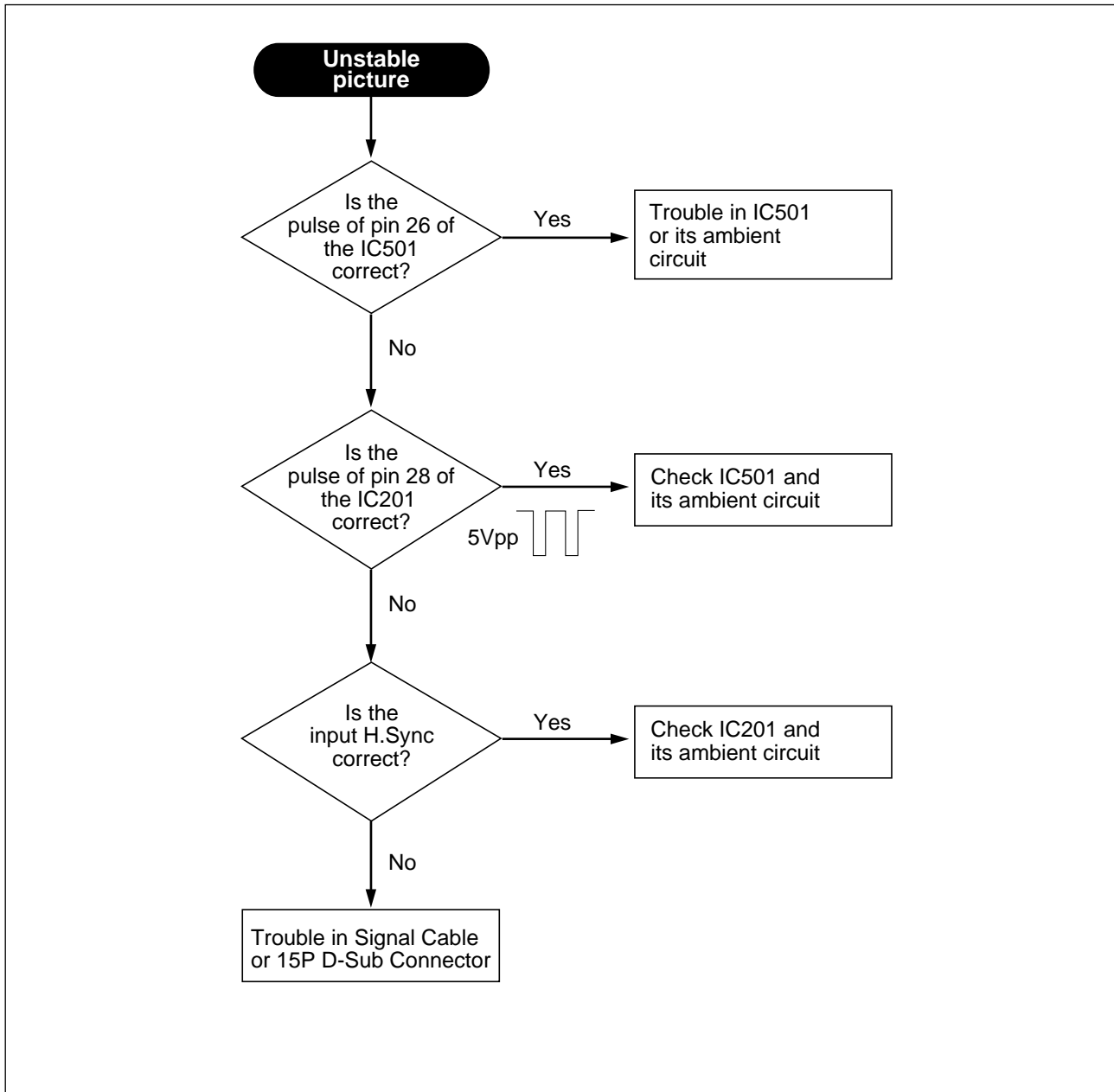
5. Horizontal Output Circuit

MODE	B+ Voltage
VGA	60Vdc
Super VGA	72Vdc
54KHz	110Vdc

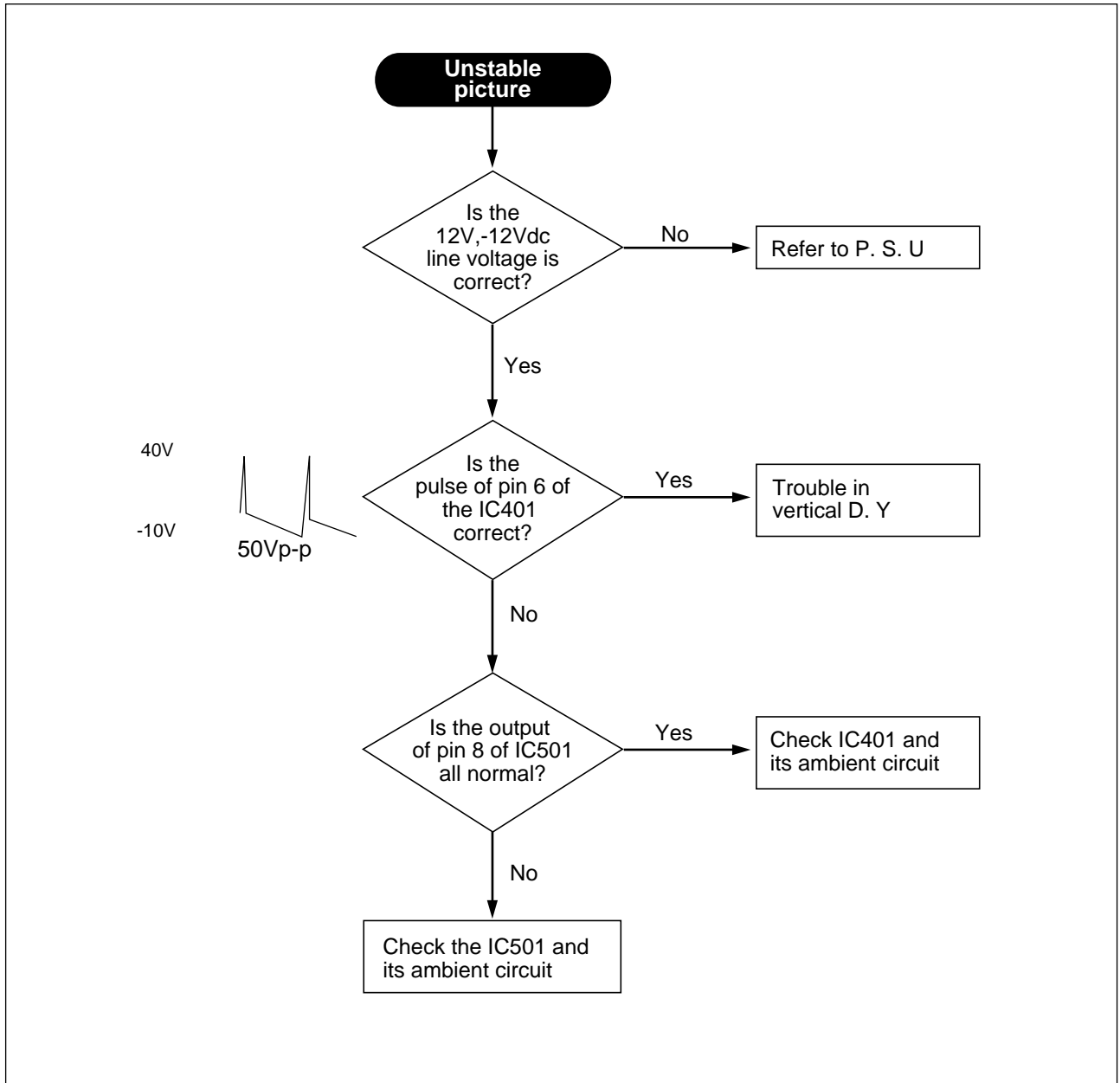


6. Unstable Picture

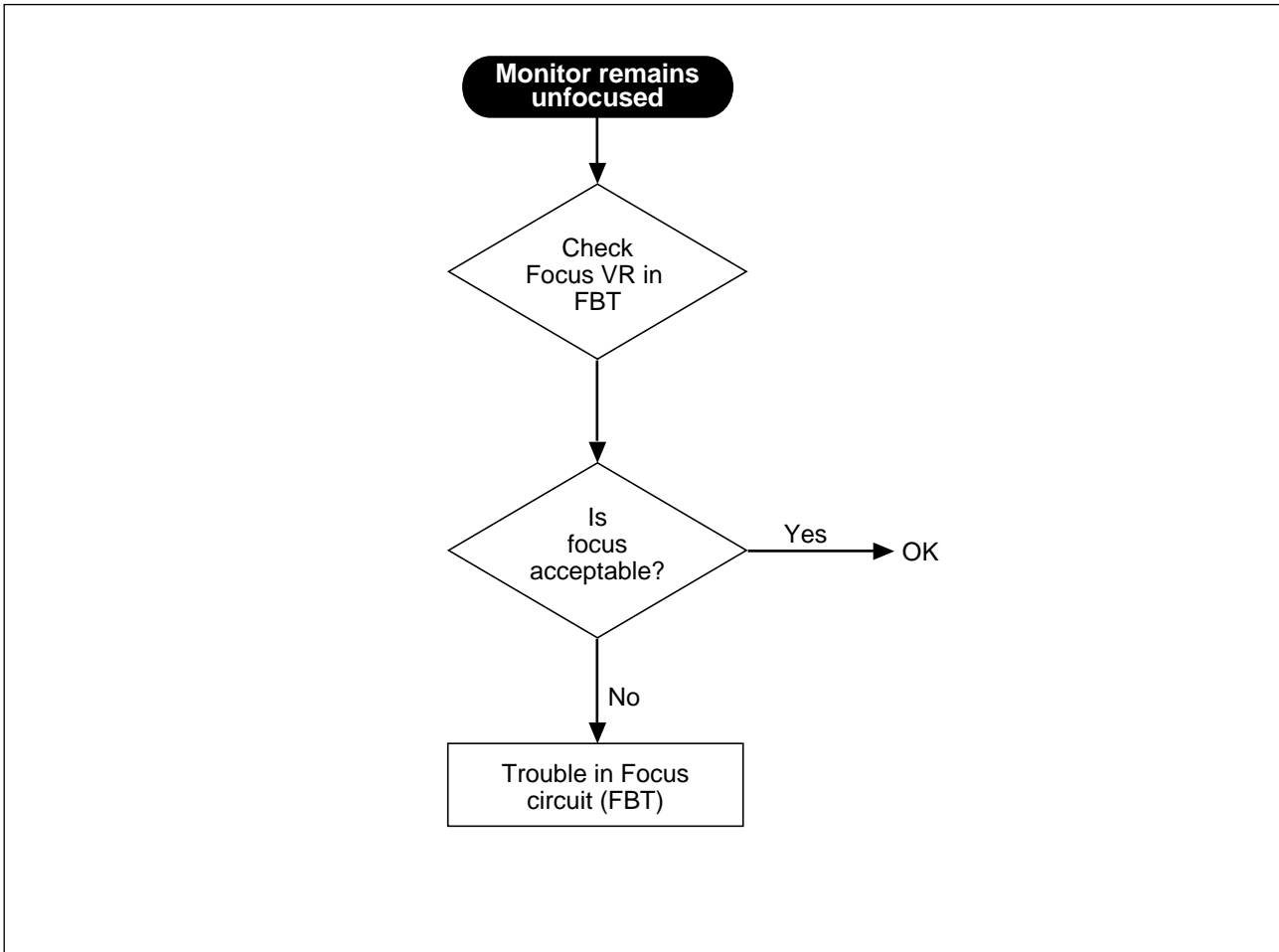
6-1. Horizontal



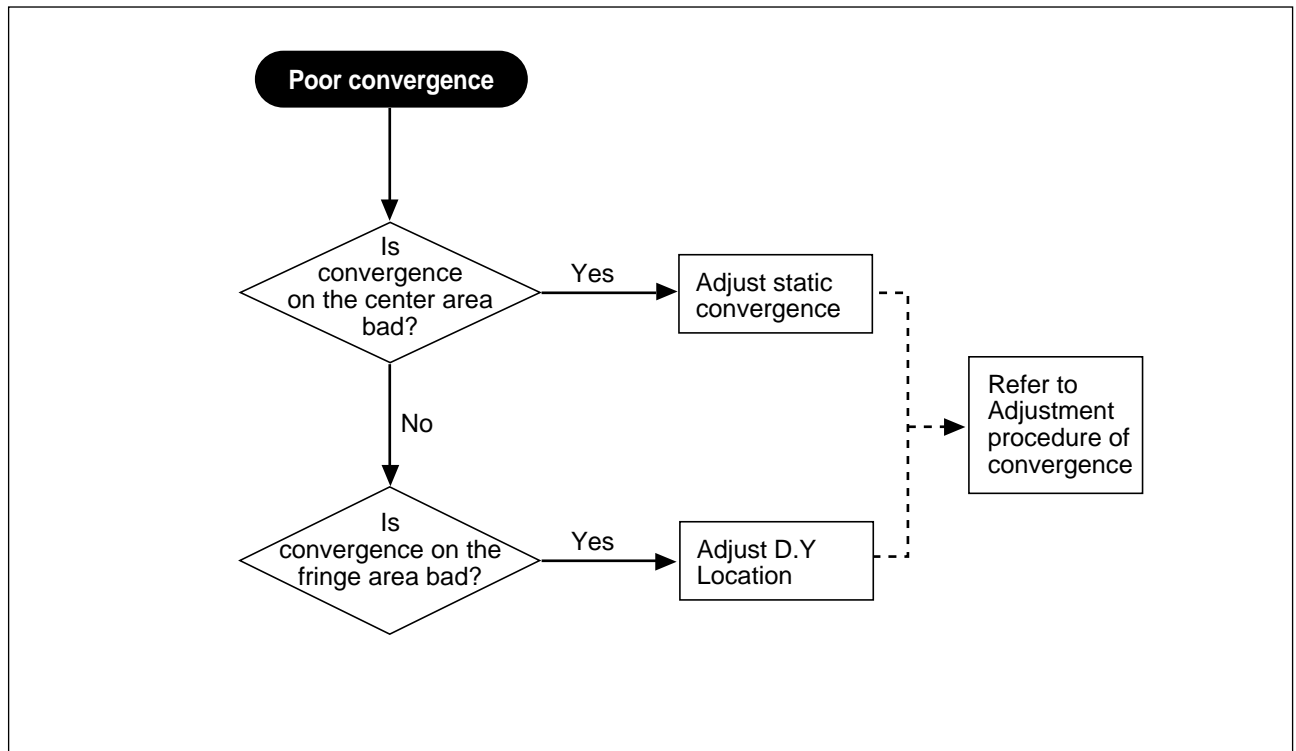
6-2. Vertical



7. Focus



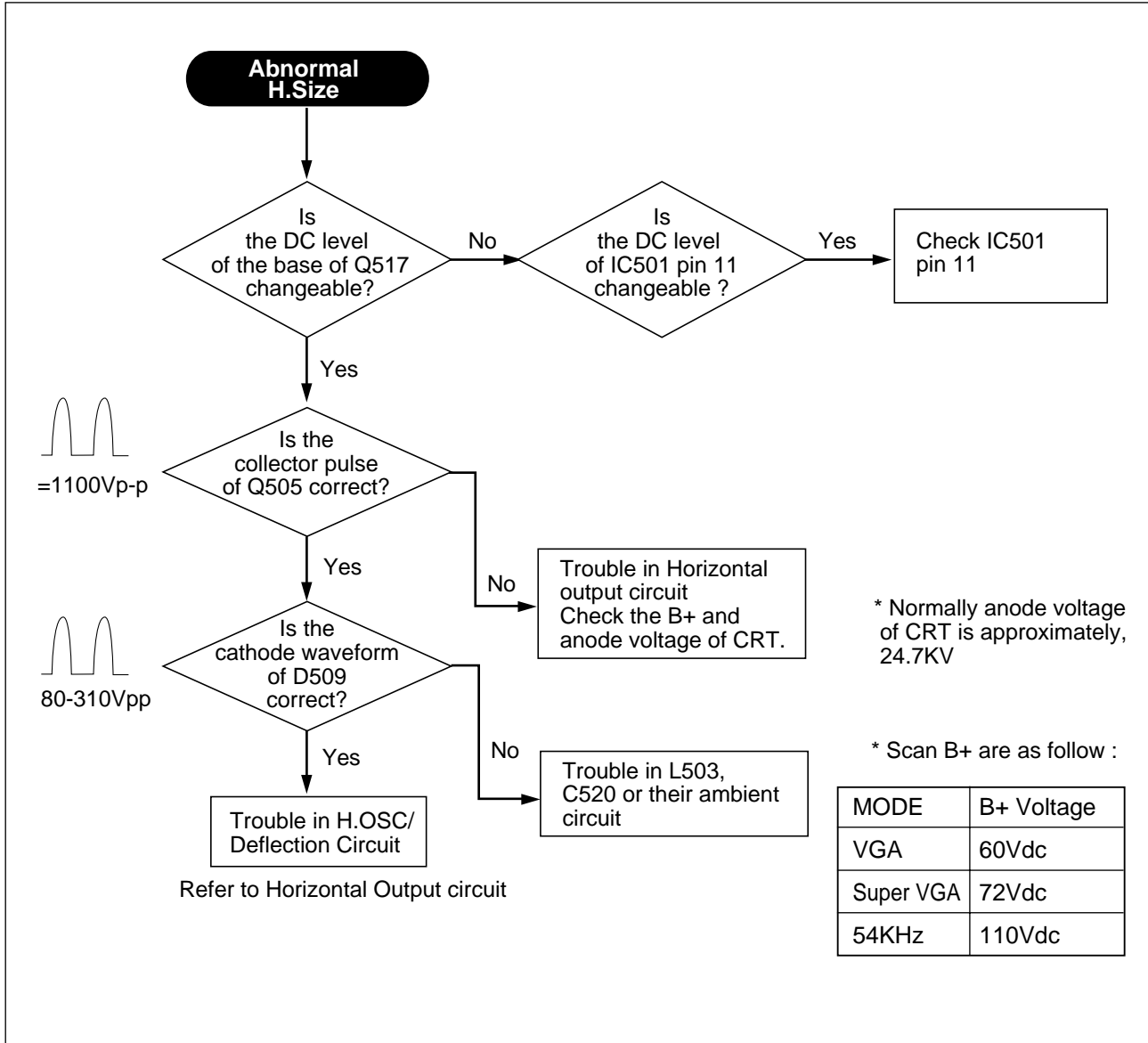
8. Convergence



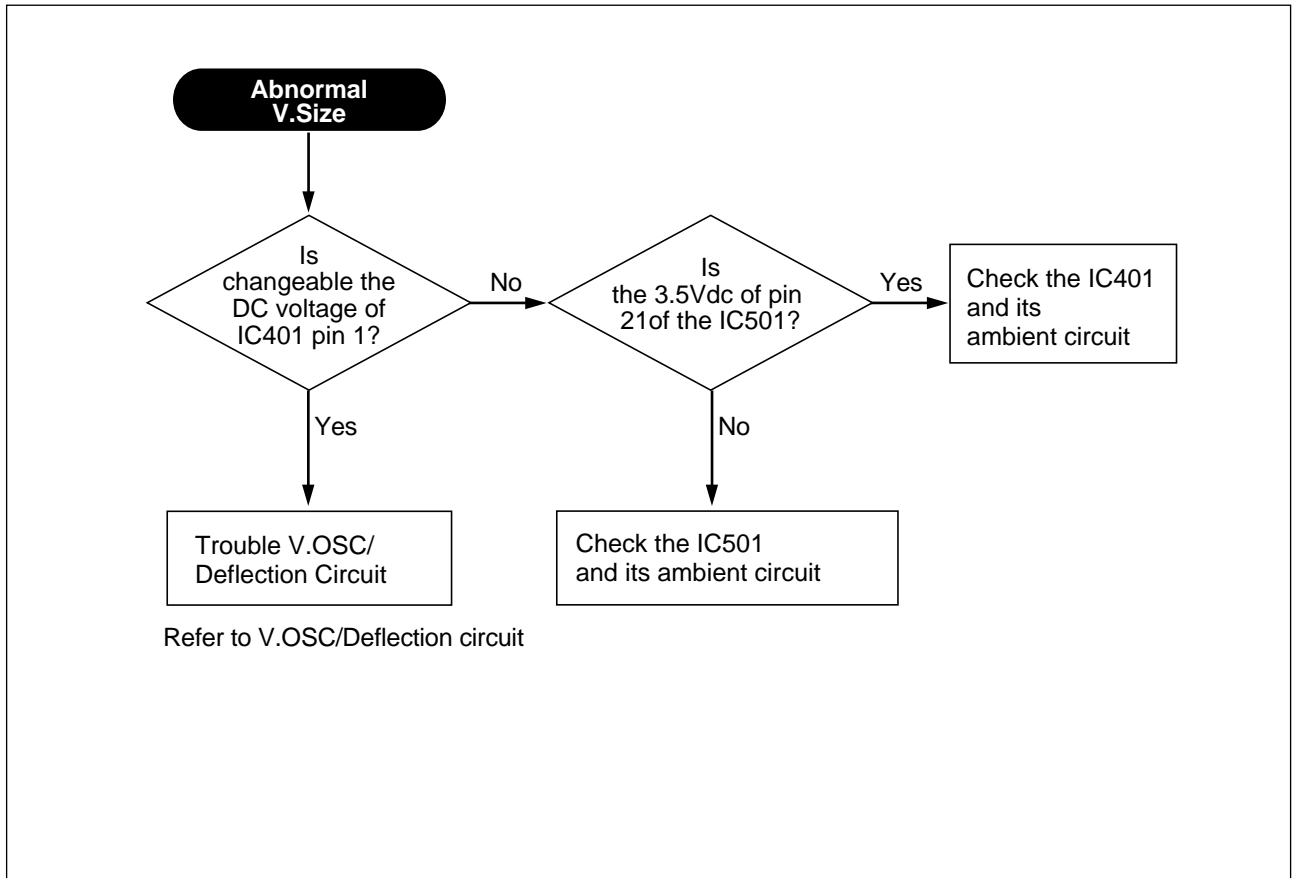
9. Abnormal Picture

* At first, adjust controls in the OSD Menu

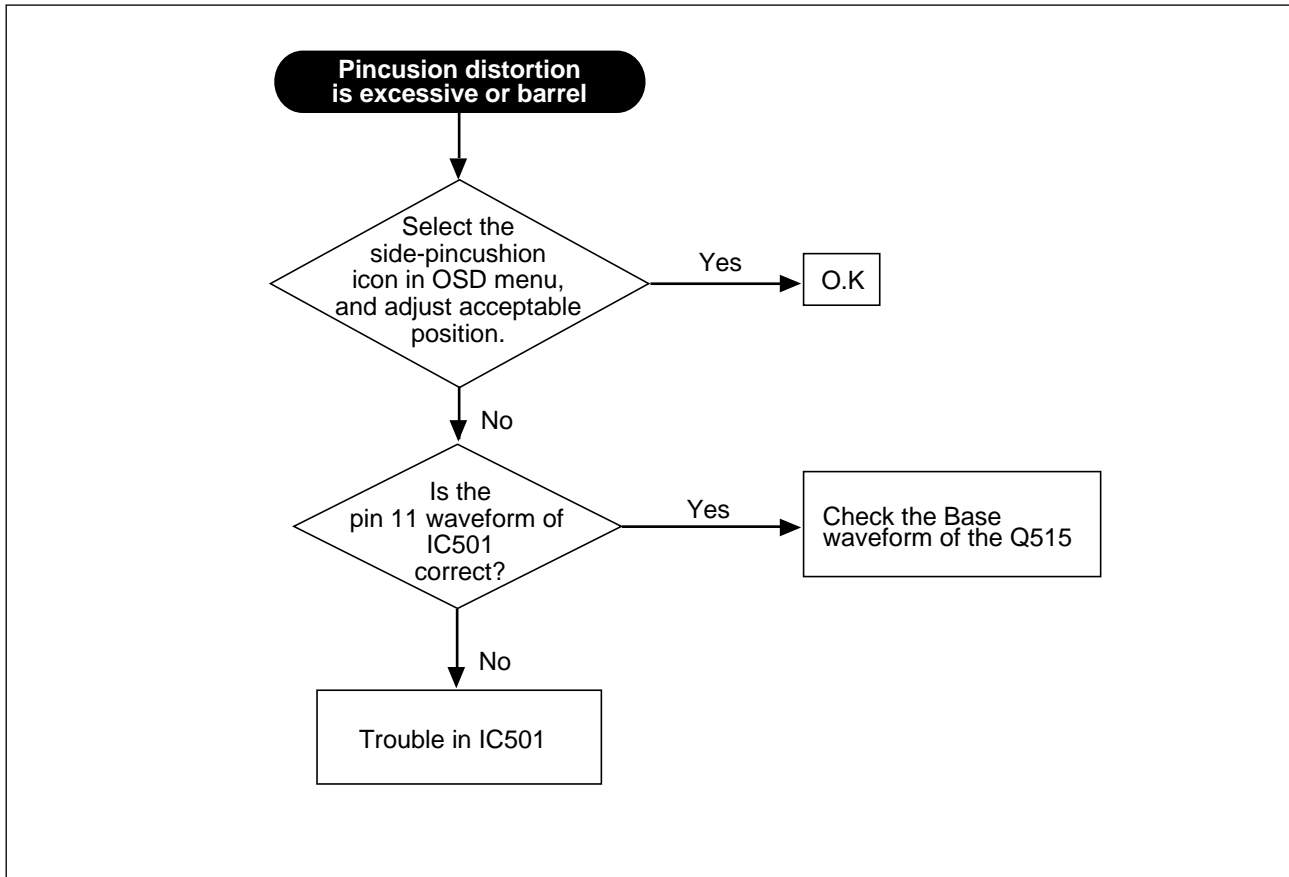
9-1. Horizontal Size



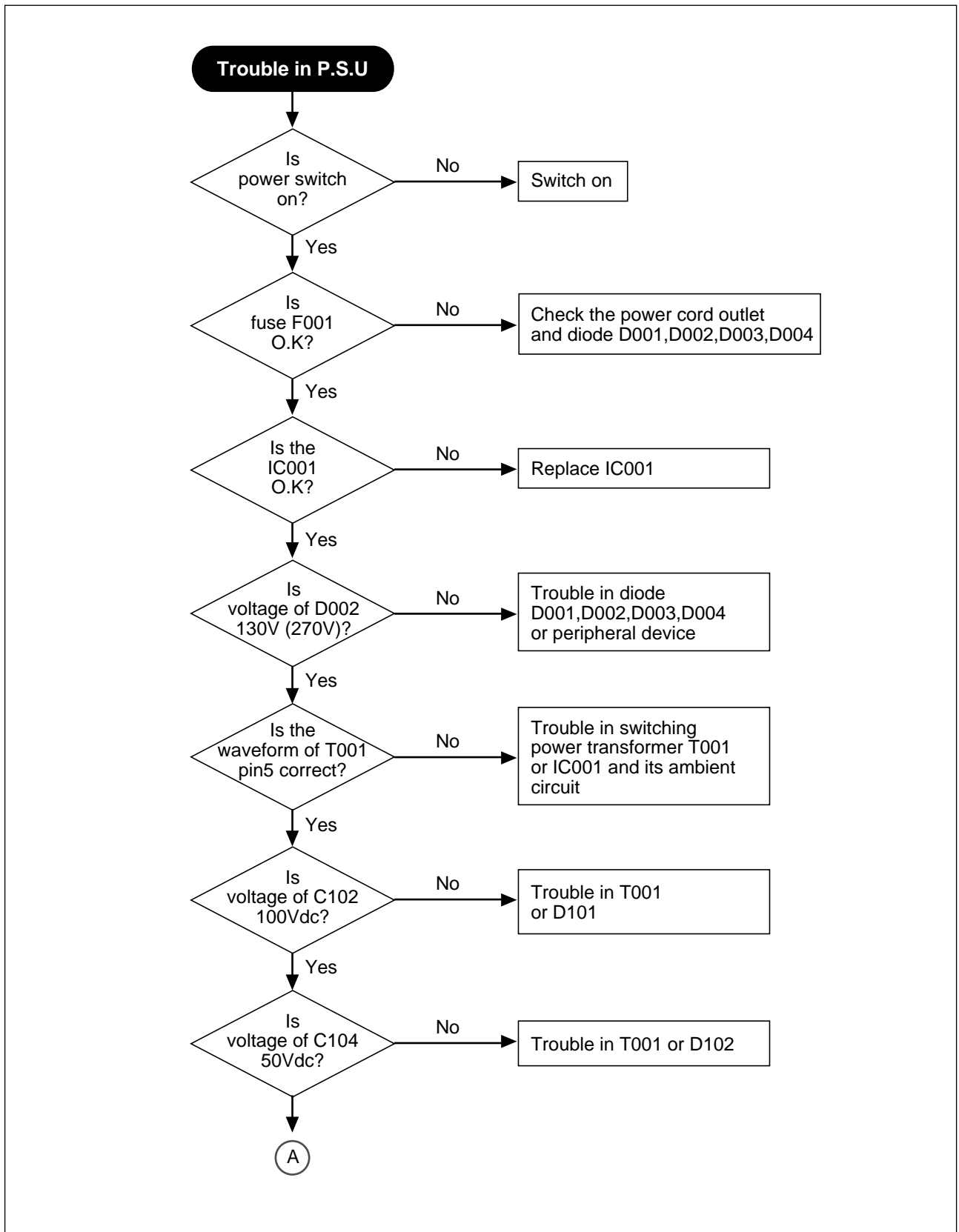
9-2. Vertical Size

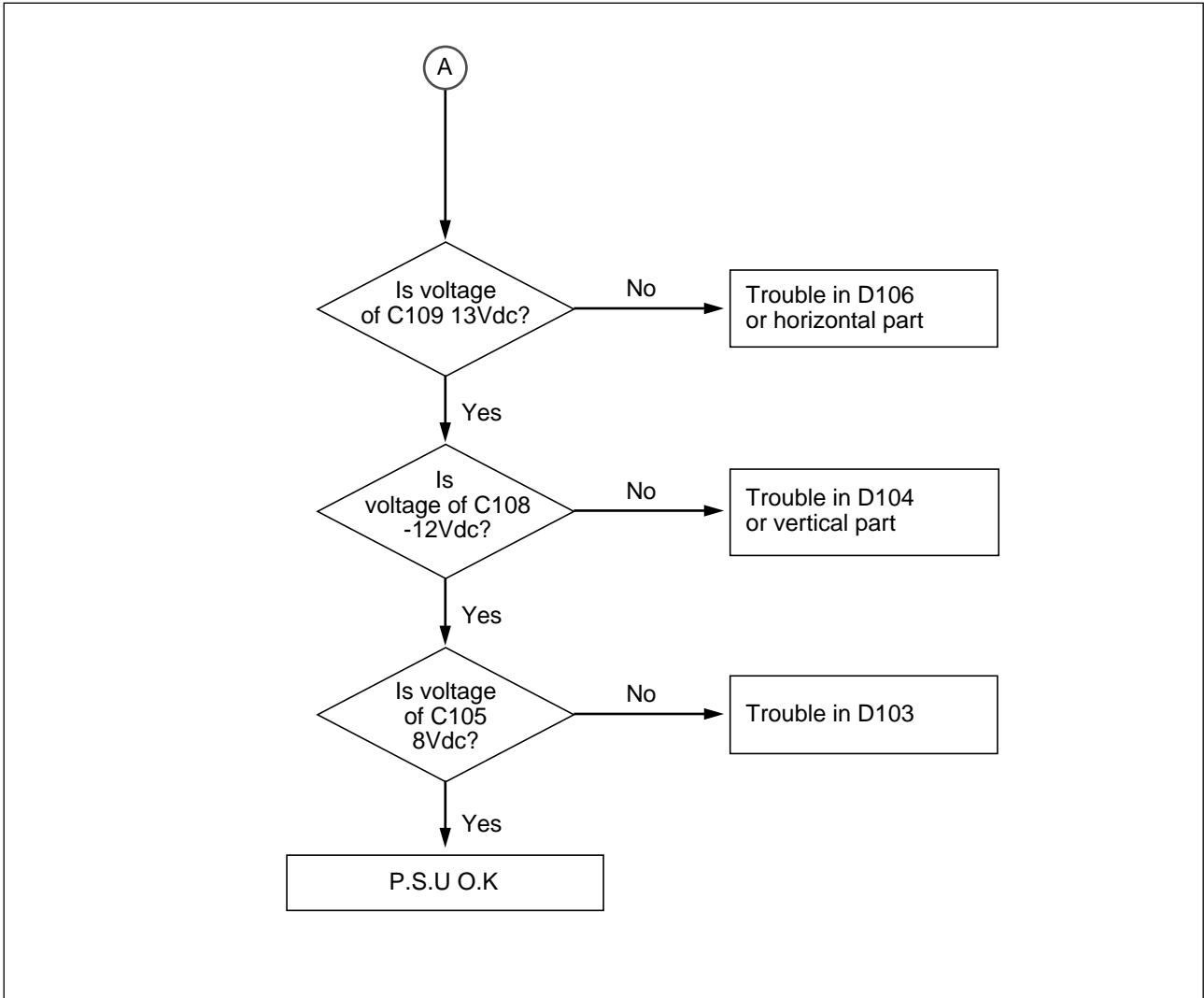


10. Side-Pincushion Circuit

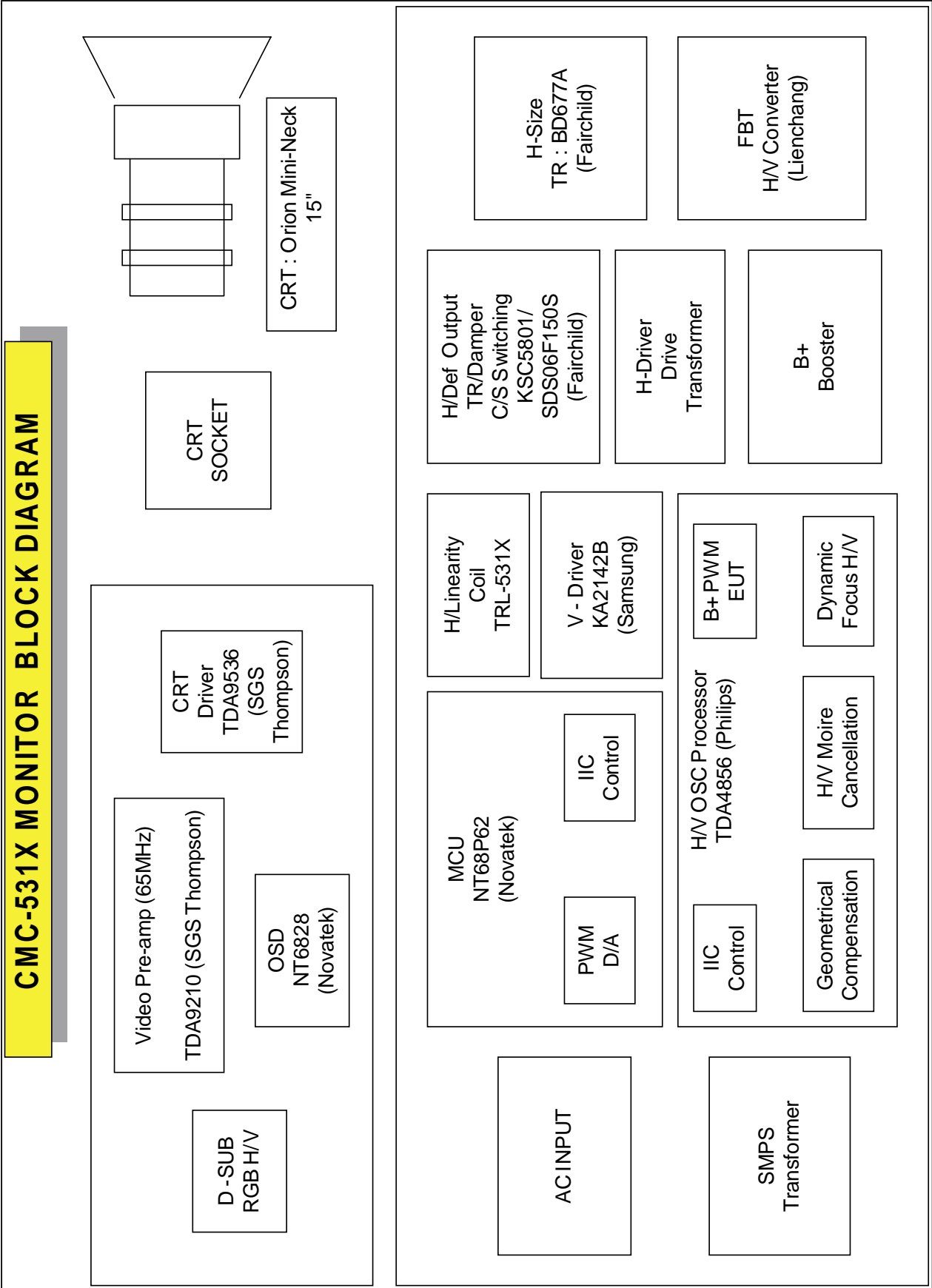


11. Power Supply Unit (P.S.U)



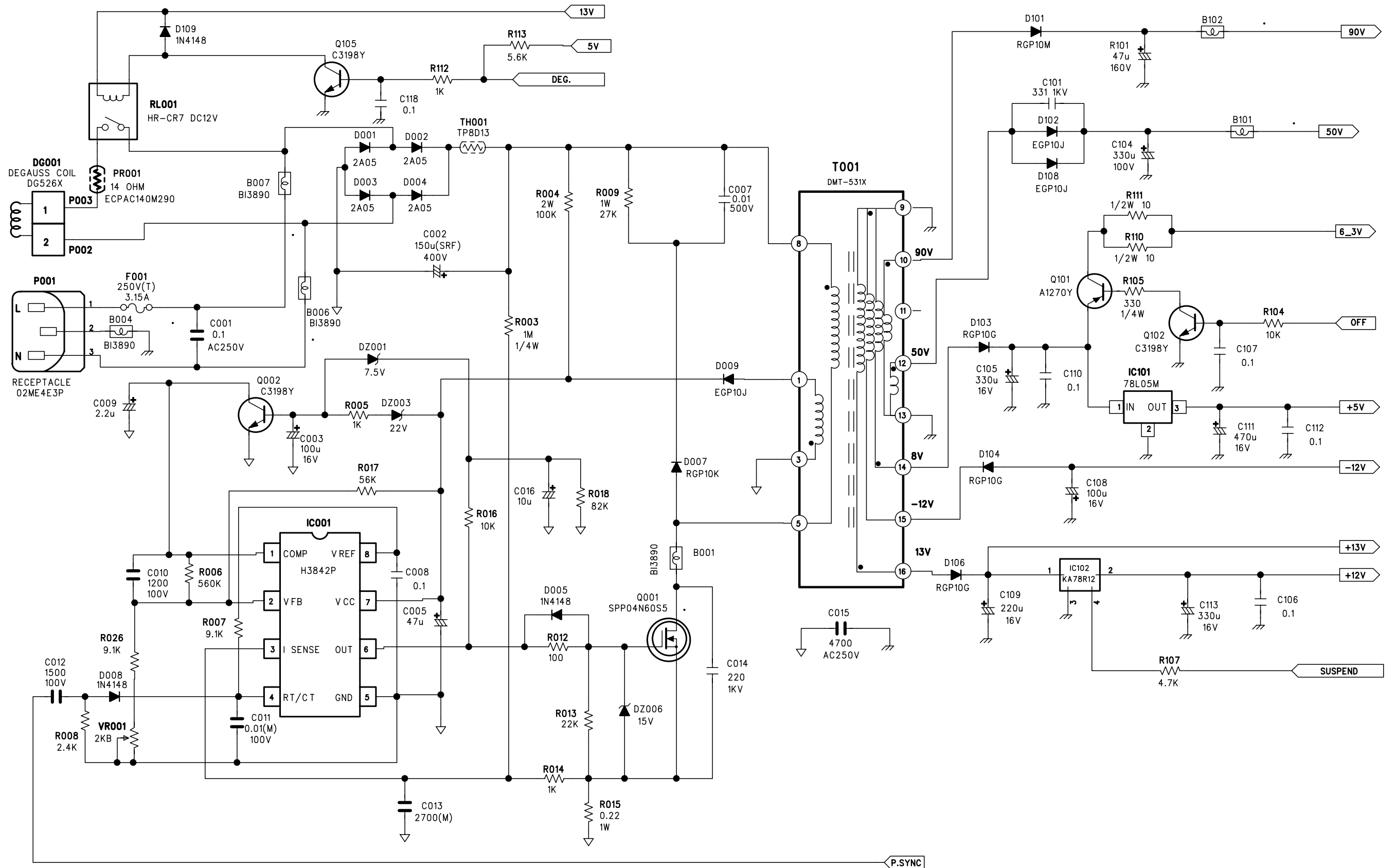


BLOCK DIAGRAM

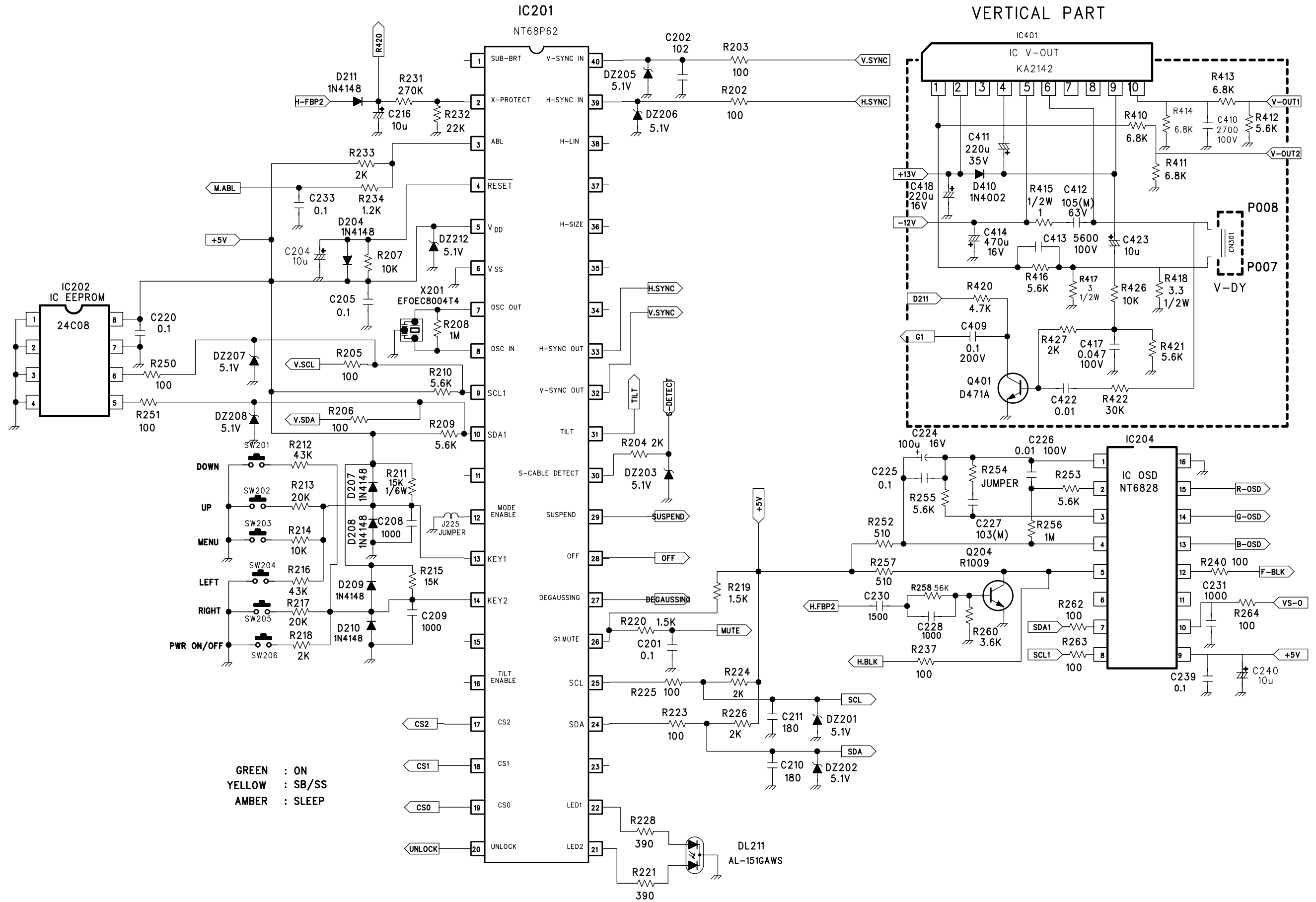


SCHEMATIC DIAGRAM

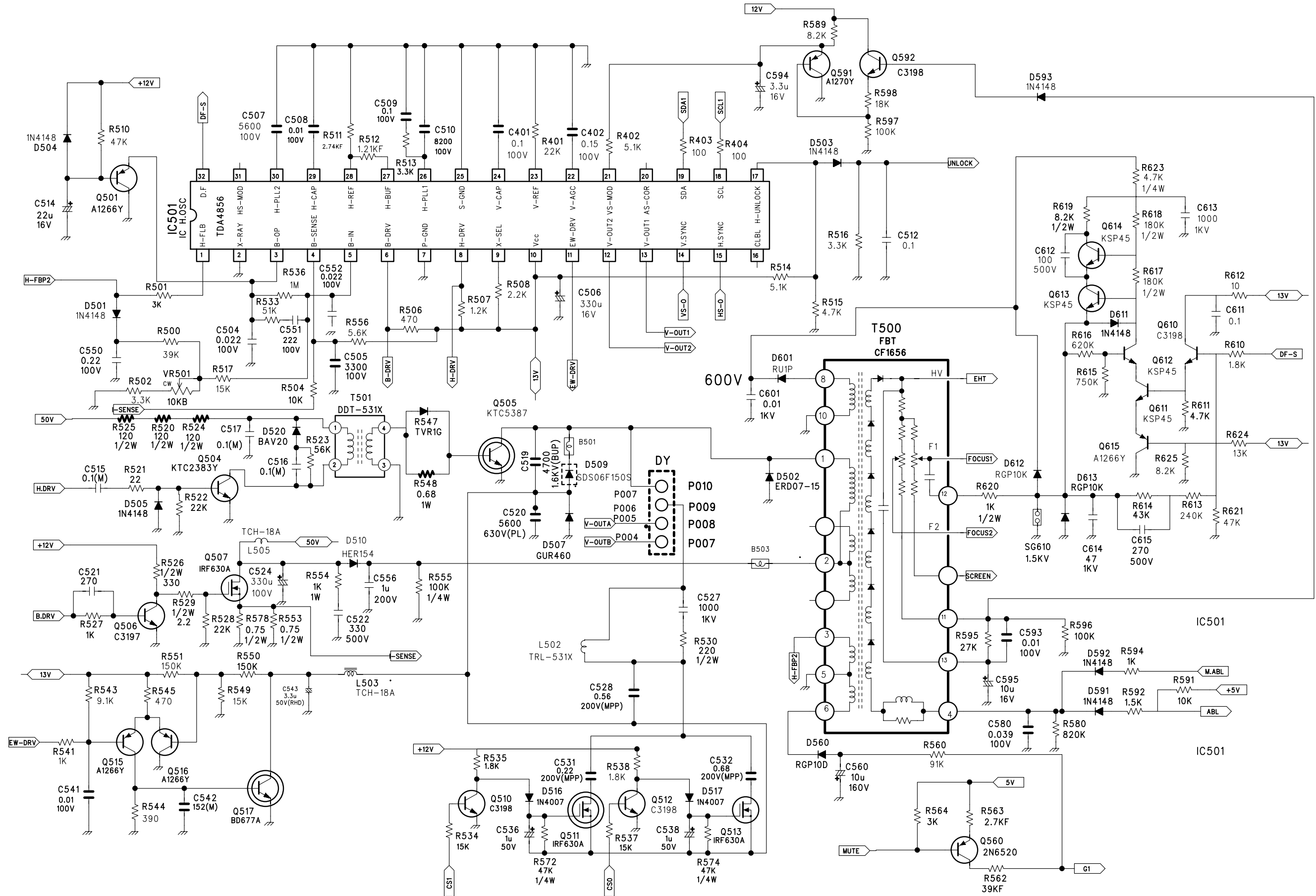
Power & Connection Section



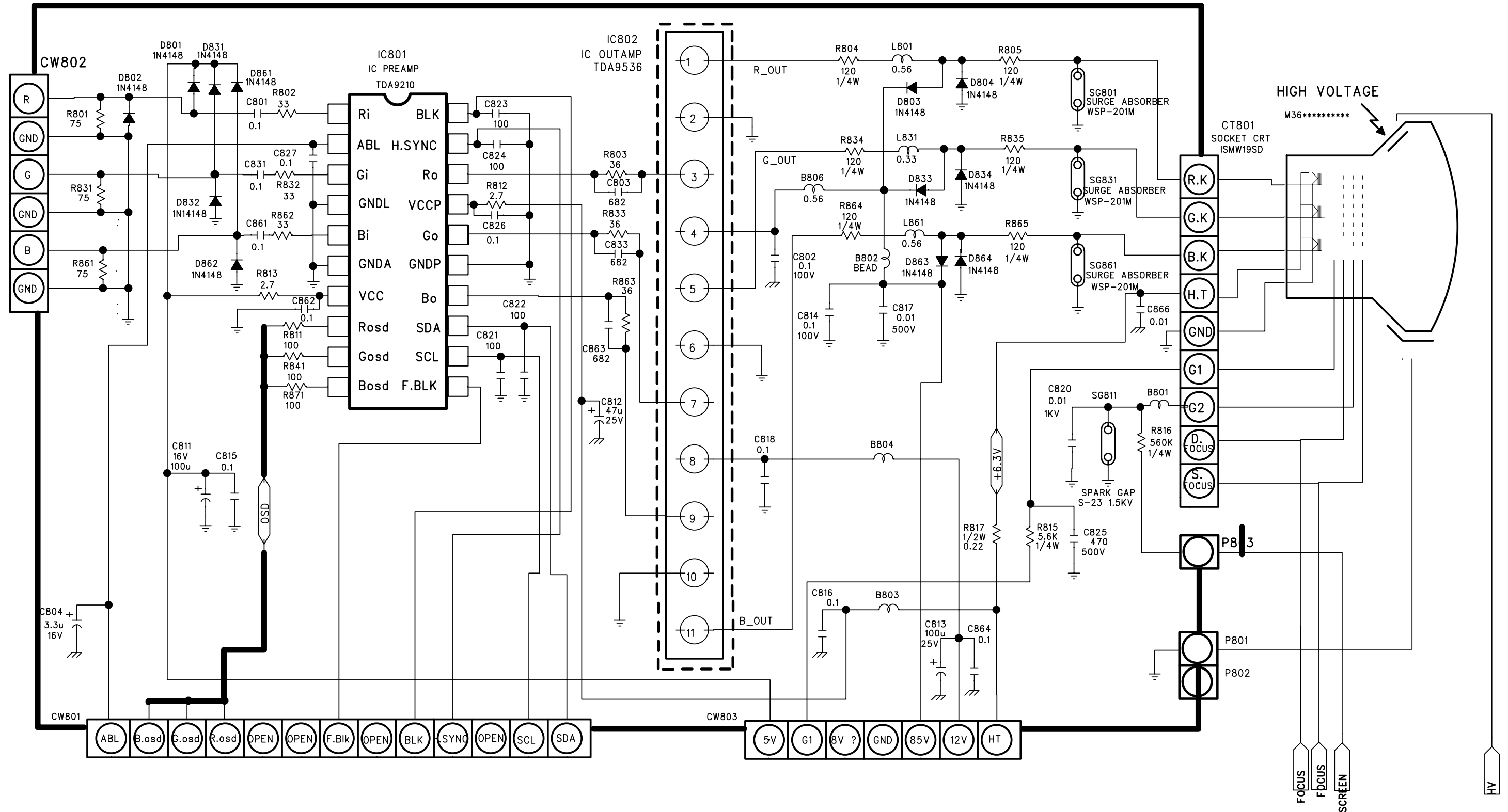
Control & Vert. out Section



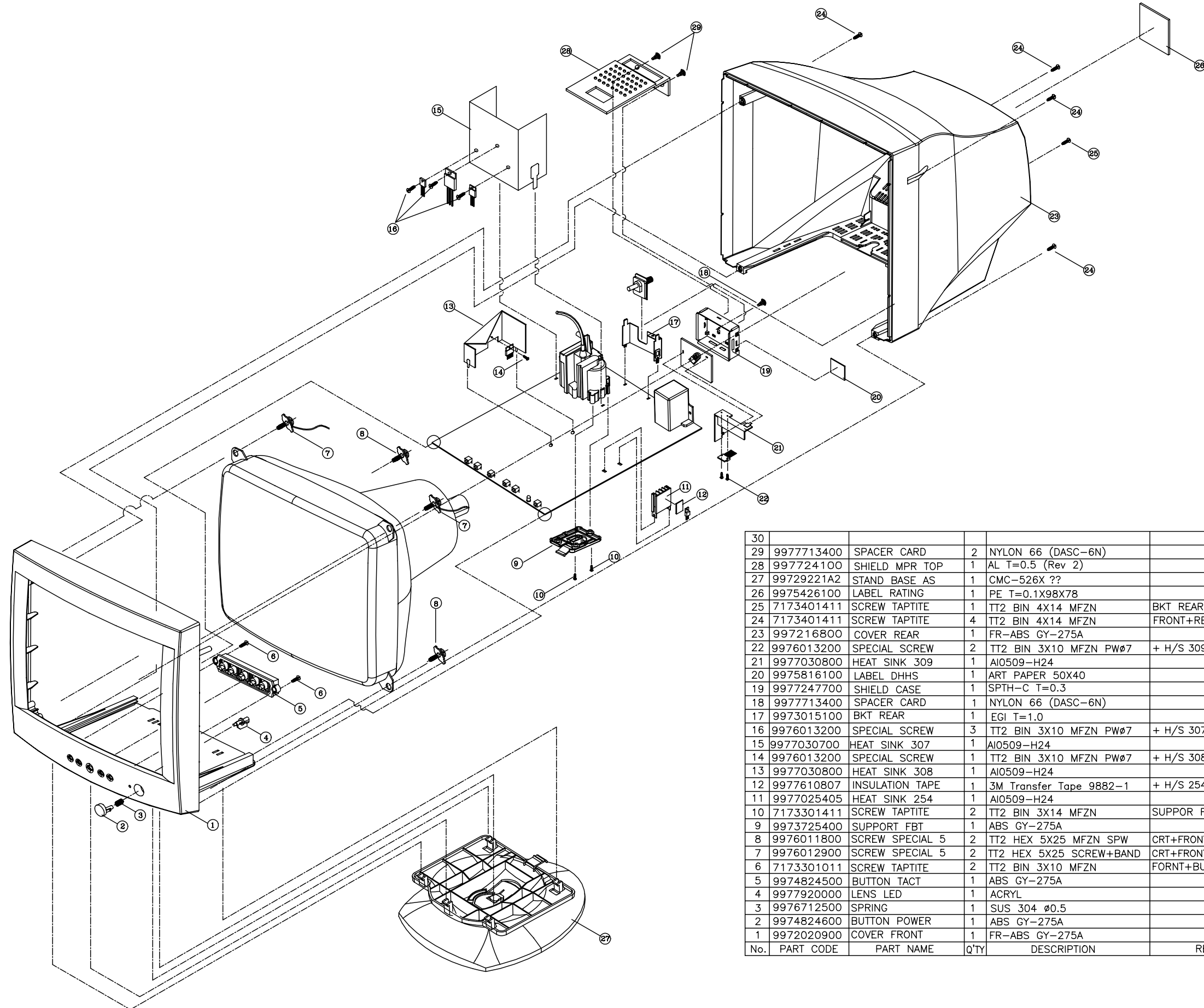
Horizontal Section



Video Section



EXPLODED VIEW DIAGRAM



30					
29	9977713400	SPACER CARD	2	NYLON 66 (DASC-6N)	
28	997724100	SHIELD MPR TOP	1	AL T=0.5 (Rev 2)	
27	99729221A2	STAND BASE AS	1	CMC-526X ??	
26	9975426100	LABEL RATING	1	PE T=0.1X98X78	
25	7173401411	SCREW TAPTITE	1	TT2 BIN 4X14 MFZN	BKT REAR+REAR
24	7173401411	SCREW TAPTITE	4	TT2 BIN 4X14 MFZN	FRONT+REAR
23	997216800	COVER REAR	1	FR-ABS GY-275A	
22	9976013200	SPECIAL SCREW	2	TT2 BIN 3X10 MFZN PW#7	+ H/S 309
21	9977030800	HEAT SINK 309	1	AI0509-H24	
20	9975816100	LABEL DHHS	1	ART PAPER 50X40	
19	9977247700	SHIELD CASE	1	SPTH-C T=0.3	
18	9977713400	SPACER CARD	1	NYLON 66 (DASC-6N)	
17	9973015100	BKT REAR	1	EGI T=1.0	
16	9976013200	SPECIAL SCREW	3	TT2 BIN 3X10 MFZN PW#7	+ H/S 307
15	9977030700	HEAT SINK 307	1	AI0509-H24	
14	9976013200	SPECIAL SCREW	1	TT2 BIN 3X10 MFZN PW#7	+ H/S 308
13	9977030800	HEAT SINK 308	1	AI0509-H24	
12	9977610807	INSULATION TAPE	1	3M Transfer Tape 9882-1	+ H/S 254
11	9977025405	HEAT SINK 254	1	AI0509-H24	
10	7173301411	SCREW TAPTITE	2	TT2 BIN 3X14 MFZN	SUPPOR FBT+FBT
9	9973725400	SUPPORT FBT	1	ABS GY-275A	
8	9976011800	SCREW SPECIAL 5	2	TT2 HEX 5X25 MFZN SPW	CRT+FRONT
7	9976012900	SCREW SPECIAL 5	2	TT2 HEX 5X25 SCREW+BAND	CRT+FRONT D-COIL WIRE
6	7173301011	SCREW TAPTITE	2	TT2 BIN 3X10 MFZN	FORNT+BUTTON TACT
5	9974824500	BUTTON TACT	1	ABS GY-275A	
4	9977920000	LENS LED	1	ACRYL	
3	9976712500	SPRING	1	SUS 304 #0.5	
2	9974824600	BUTTON POWER	1	ABS GY-275A	
1	9972020900	COVER FRONT	1	FR-ABS GY-275A	
No.	PART CODE	PART NAME	Q'TY	DESCRIPTION	REMARK

ELECTRICAL PARTS LIST

The components identified by mark \triangle have special characteristics important for safety and x-ray radiation. These should be replaced only with the types specified in the parts list.

LOC	PART-CODE	PART-NAME	PART-DESC	LOC	PART-CODE	PART-NAME	PART-DESC
00001	9979800540	PCB MAIN	T=1.6*246*247 (531X)	C210	CCXB1H181K	C CERA	50V B 180PF K (TAPPING)
00002	9979800548	PCB CRT	T=1.6*108*82(531X)	C211	CCXB1H181K	C CERA	50V B 180PF K (TAPPING)
00020	W3475N731-	CORD POWER	3 H05VV-F 3X0.75 1.8 IV	C216	CEXF1H100V	C ELECTRO	50V RSS 10MF (5X11) TP
B001	5PB13890--	COIL BEAD	BI3890	C220	CCXF1H104Z	C CERA	50V F 0.1MF Z
B006	5PB13890--	COIL BEAD	BI3890	C224	CEXF1C101V	C ELECTRO	16V RSS 100MF (6.3X11) TP
B007	5PB13890--	COIL BEAD	BI3890	C225	CCXF1H104Z	C CERA	50V F 0.1MF Z
B101	5PB13857--	COIL BEAD	BI3857(AXIAL)	C226	CMXM2A103J	C MYLAR	100V 0.01MF J (TP)
B102	5PB13857--	COIL BEAD	BI3857(AXIAL)	C227	CMXM2A103J	C MYLAR	100V 0.01MF J (TP)
B501	5PB13857--	COIL BEAD	BI3857(AXIAL)	C228	CCXB1H102K	C CERA	50V B 1000PF K (TAPPING)
B503	5PB13857--	COIL BEAD	BI3857(AXIAL)	C230	CCXB1H152K	C CERA	50V B 1500PF K (TAPPING)
B801	5PB13857--	COIL BEAD	BI3857(AXIAL)	C231	CCXB1H102K	C CERA	50V B 1000PF K (TAPPING)
B802	5PB13857--	COIL BEAD	BI3857(AXIAL)	C233	CCXF1H104Z	C CERA	50V F 0.1MF Z
B803	5PB13857--	COIL BEAD	BI3857(AXIAL)	C239	CCXF1H104Z	C CERA	50V F 0.1MF Z
B804	5PB13857--	COIL BEAD	BI3857(AXIAL)	C240	CEXF1H100V	C ELECTRO	50V RSS 10MF (5X11) TP
\triangle C001	CL1UC3104M	C LINE ACROSS	WORLD AC250V 0.1UF M R.47	C401	CMXM2A104J	C MYLAR	100V 0.1MF J (TP)
\triangle C002	CEYP2G151Z	C ELECTRO	400V SMH 150MF (25.4*40)	C402	CMXM2A154J	C MYLAR	100V 0.15MF J (TP)
C003	CEXF1C101V	C ELECTRO	16V RSS 100MF (6.3X11) TP	C409	CMXM2E104J	C MYLAR	250V 0.1MF J
C005	CEXF1H470V	C ELECTRO	50V RSS 47MF (6.3X11) TP	C410	CMXM2A272J	C MYLAR	100V 2700PF J (TP)
C007	CCXB2H103K	C CERA	HIKB 500V 0.01MF K	C411	CEXF1V221V	C ELECTRO	35V RSS 220MF (10X12.5)TP
C008	CCXF1H104Z	C CERA	50V F 0.1MF Z	C412	CMXL1J105J	C MYLAR	MEU 63V 1MF J
C009	CEXF1H229V	C ELECTRO	50V RSS 2.2MF (5X11) TP	C413	CMXM2A562J	C MYLAR	100V 5600PF J (TP)
C010	CMXM2A102J	C MYLAR	100V 1000PF J (TP)	C414	CEXF1C471V	C ELECTRO	16V RSS 470MF (10X12.5)TP
C011	CMXM2A103J	C MYLAR	100V 0.01MF J (TP)	C417	CMXM2A473J	C MYLAR	100V 0.047MF J (TP)
C012	CMXM2A152J	C MYLAR	100V 1500PF J (TP)	C418	CEXF1C221V	C ELECTRO	16V RSS 220MF (8X11.5) TP
C013	CMXM2A272J	C MYLAR	100V 2700PF J (TP)	C422	CCXB1H103K	C CERA	50V B 0.01MF K
C014	CCXB3A221K	C CERA	1KV B 220PF K (TAPPING)	C423	CEXF1H100V	C ELECTRO	50V RSS 10MF (5X11) TP
\triangle C015	CH1FDF472M	C CERA AC	2.5KV 4700PF M AC250V	C504	CMXM2A223J	C MYLAR	100V 0.022MF J TP
C016	CEXF1H100V	C ELECTRO	50V RSS 10MF (5X11) TP	C505	CMXM2A332J	C MYLAR	100V 3300PF J (TP)
C101	CCXB3A331K	C CERA	1KV B 330PF K (TAPPING)	C506	CEXF1C331V	C ELECTRO	16V RSS 330MF (8X11.5) TP
C102	CEXF2C470V	C ELECTRO	160V RSS 47MF (13X25) TP	C507	CMXM2A562J	C MYLAR	100V 5600PF J (TP)
C104	CEXF2A331V	C ELECTRO	100V RSS 330MF (16X25) TP	C508	CMXM2A103J	C MYLAR	100V 0.01MF J (TP)
C105	CEXF1C331V	C ELECTRO	16V RSS 330MF (8X11.5) TP	C509	CMXM2A104J	C MYLAR	100V 0.1MF J (TP)
C106	CCXF1H104Z	C CERA	50V F 0.1MF Z	C510	CMXM2A822J	C MYLAR	100V 8200PF J (TP)
C107	CCXF1H104Z	C CERA	50V F 0.1MF Z	C512	CCXF1H104Z	C CERA	50V F 0.1MF Z
C108	CEXF1C101V	C ELECTRO	16V RSS 100MF (6.3X11) TP	C514	CEXF1C220V	C ELECTRO	RSS 16V 22MF 5*11
C109	CEXF1C221V	C ELECTRO	16V RSS 220MF (8X11.5) TP	C515	CMXM2A104J	C MYLAR	100V 0.1MF J (TP)
C110	CCXF1H104Z	C CERA	50V F 0.1MF Z	C516	CMXM2A104J	C MYLAR	100V 0.1MF J (TP)
C111	CEXF1C471V	C ELECTRO	16V RSS 470MF (10X12.5)TP	C517	CMXM2A104J	C MYLAR	100V 0.1MF J (TP)
C112	CCXF1H104Z	C CERA	50V F 0.1MF Z	C519	CMYH3C472J	C MYLAR	1.6KV BUP 4700PF J
C113	CEXF1C331V	C ELECTRO	16V RSS 330MF (8X11.5) TP	C520	CMXE2J562J	C MYLAR	630V PU 5600PF J (TP)
C118	CCXF1H104Z	C CERA	50V F 0.1MF Z	C521	CCXB1H271K	C CERA	50V B 270PF K (TAPPING)
C201	CCXF1H104Z	C CERA	50V F 0.1MF Z	C522	CCXB2H331K	C CERA	500V B 330PF K (TAPPING)
C202	CCXB1H102K	C CERA	50V B 1000PF K (TAPPING)	C524	CEXF2A331V	C ELECTRO	100V RSS 330MF (16X25) TP
C204	CEXF1H100V	C ELECTRO	50V RSS 10MF (5X11) TP	C527	CCXB3A102K	C CERA	1KV B 1000PF K (TAPPING)
C205	CCXF1H104Z	C CERA	50V F 0.1MF Z	C528	CMYF2D564J	C MYLAR	200V MPP 0.56MF J
C208	CCXB1H102K	C CERA	50V B 1000PF K (TAPPING)	C531	CMXF2D224J	C MYLAR	MPP 200V 0.22MF J
C209	CCXB1H102K	C CERA	50V B 1000PF K (TAPPING)	C532	CMYF2D684J	C MYLAR	200V MPP 0.68MF J

LOC	PART-CODE	PART-NAME	PART-DESC		LOC	PART-CODE	PART-NAME	PART-DESC
C536	CEXF1H109V	C ELECTRO	50V RSS 1MF (5X11) TP		CA202	9970770028	CONN AS	SMH200-07+YBNH200-07=270
C538	CEXF1H109V	C ELECTRO	50V RSS 1MF (5X11) TP		CG001	9970710245	CRT GND AS	0.12*6*16+BL101NG=580
C541	CMXM2A103J	C MYLAR	100V 0.01MF J (TP)	⚠	CT001	9979615027	CDT	M36QCZ100XX61
C542	CMXM2A152J	C MYLAR	100V 1500PF J (TP)		CT801	9979300012	SOCKET CRT	ISMW19SD
C543	CExD1H339W	C ELECTRO	50V RHD 3.3MF(16*25)		CW201	9979220102	CONN WAFER	SMW200-07 (ST)
C550	CMXM2A224J	C MYLAR	100V 0.22MF J		CW801	9979220092	CONN WAFER	SMAW200-11 (ANGLE)
C551	CMXM2A222J	C MYLAR	100V 2200PF J (TP)		CW802	9979220087	CONN WAFER	SMAW200-06 (ANGLE)
C552	CMXM2A223J	C MYLAR	100V 0.022MF J TP		CW803	9979220088	CONN WAFER	SMAW200-07 (ANGLE)
C556	CMYF2D105J	C MYLAR	MPP 200V 1MF J	⚠	D001	D2A05-----	DIODE	2A05
C560	CExF2C100V	C ELECTRO	160V RSS 10MF (10X16) TP	⚠	D002	D2A05-----	DIODE	2A05
C580	CMXM2A393J	C MYLAR	100V 0.039MF J (TP)	⚠	D003	D2A05-----	DIODE	2A05
C593	CMXM2A103J	C MYLAR	100V 0.01MF J (TP)	⚠	D004	D2A05-----	DIODE	2A05
C594	CExF1H339V	C ELECTRO	50V RSS 3.3MF (5X11) TP		D005	DZN4148---	DIODE	1N4148 AUTO 52MM
C595	CExF1H100V	C ELECTRO	50V RSS 10MF (5X11) TP		D007	DRGP10K---	DIODE	RGP10K
C601	CCXB3A103K	C CERA	HIKB 1KV 0.01MF K		D008	DZN4148---	DIODE	1N4148 AUTO 52MM
C611	CCXF1H104Z	C CERA	50V F 0.1MF Z		D009	DEGP10J---	DIODE	EGP10J
C612	CCXB2H101K	C CERA	500V B 100PF K (TAPPING)		D101	DRGP10M---	DIODE	RGP10M
C613	CCXB3A102K	C CERA	1KV B 1000PF K (TAPPING)		D102	DEGP10J---	DIODE	EGP10J
C614	CXSL3A470K	C CERA	1KV SL 47PF K (TP)		D103	DRGP10G---	DIODE	RGP10G
C615	CCXB2H271K	C CERA	500V B 270PF K (TAPPING)		D104	DRGP10G---	DIODE	RGP10G
C801	CCXF1H104Z	C CERA	50V F 0.1MF Z		D106	DRGP10G---	DIODE	RGP10G
C802	CMXL2E104J	C MYLAR	MEU 250V 0.1MF J		D108	DEGP10J---	DIODE	EGP10J
C803	CCXB1H682K	C CERA	50V B 6800PF K (TAPPING)		D109	DZN4148---	DIODE	1N4148 AUTO 52MM
C804	CExF1H339V	C ELECTRO	50V RSS 3.3MF (5X11) TP		D204	DZN4148---	DIODE	1N4148 AUTO 52MM
C811	CExF1C101V	C ELECTRO	16V RSS 100MF (6.3X11) TP		D207	DZN4148---	DIODE	1N4148 AUTO 52MM
C812	CExF1E470V	C ELECTRO	25V RSS 47MF (5X11) TP		D208	DZN4148---	DIODE	1N4148 AUTO 52MM
C813	CExF1E101V	C ELECTRO	25V RSS 100MF (6.3X11) TP		D209	DZN4148---	DIODE	1N4148 AUTO 52MM
C814	CMXL2E104J	C MYLAR	MEU 250V 0.1MF J		D210	DZN4148---	DIODE	1N4148 AUTO 52MM
C815	CCXF1H104Z	C CERA	50V F 0.1MF Z		D211	DZN4148---	DIODE	1N4148 AUTO 52MM
C816	CCXF1H104Z	C CERA	50V F 0.1MF Z		D410	D1N4002A--	DIODE	1N4002
C817	CCXB2H103K	C CERA	HIKB 500V 0.01MF K		D501	DZN4148---	DIODE	1N4148 AUTO 52MM
C818	CCXF1H104Z	C CERA	50V F 0.1MF Z		D502	DERD07-15-	DIODE	ERD07-15
C820	CCYB3A103K	C CERA	1KV B 0.01MF K		D503	DZN4148---	DIODE	1N4148 AUTO 52MM
C821	CCXB1H101K	C CERA	50V B 100PF K (TAPPING)		D504	DZN4148---	DIODE	1N4148 AUTO 52MM
C822	CCXB1H101K	C CERA	50V B 100PF K (TAPPING)		D505	DZN4148---	DIODE	1N4148 AUTO 52MM
C823	CCXB1H101K	C CERA	50V B 100PF K (TAPPING)		D507	DGUR460---	DIODE	GUR460
C824	CCXB1H101K	C CERA	50V B 100PF K (TAPPING)		D509	DSDS06F150	DIODE	SDS06F150STU
C825	CCXB2H471K	C CERA	500V B 470PF K (TAPPING)		D510	DSUF1504SP	DIODE	SUF1504SP
C826	CCXF1H104Z	C CERA	50V F 0.1MF Z		D511	85801052GY	WIRE COPPER	1/0.52 TIN COATING
C827	CCXF1H104Z	C CERA	50V F 0.1MF Z		D516	D1N4007---	DIODE	IN4007
C831	CCXF1H104Z	C CERA	50V F 0.1MF Z		D517	D1N4007---	DIODE	IN4007
C833	CCXB1H682K	C CERA	50V B 6800PF K (TAPPING)		D520	DBAV20----	DIODE	BAV20
C861	CCXF1H104Z	C CERA	50V F 0.1MF Z		D560	DRGP10D---	DIODE	RGP 10-D (TAPPING)
C862	CCXF1H104Z	C CERA	50V F 0.1MF Z		D591	DZN4148---	DIODE	1N4148 AUTO 52MM
C863	CCXB1H682K	C CERA	50V B 6800PF K (TAPPING)		D592	DZN4148---	DIODE	1N4148 AUTO 52MM
C864	CCXF1H104Z	C CERA	50V F 0.1MF Z		D593	DZN4148---	DIODE	1N4148 AUTO 52MM
C866	CCXF1H103Z	C CERA	50V F 0.01MF Z (TAPPING)		D594	DZN4148---	DIODE	1N4148 AUTO 52MM
CA200	9970800045	CABLE SIGNAL AS	15P+3C/DDC=1.5M(GY275A)		D601	DRU1P-----	DIODE	RU 1P (TAPPING)
CA201	99707C0011	CONN AS	SMH200-11+YBNH200-12=250		D611	DZN4148---	DIODE	1N4148 AUTO 52MM

LOC	PART-CODE	PART-NAME	PART-DESC	LOC	PART-CODE	PART-NAME	PART-DESC
D612	DRGP10K---	DIODE	RGP10K	Q001	TSP04N60S	FET	SPP04N60S5
D613	DRGP10K---	DIODE	RGP10K	Q002	TZTC3198Y-	TR	KTC3198Y-(1815Y) (AUTO)
D801	DZN4148---	DIODE	1N4148 AUTO 52MM	Q101	TZTA1270Y-	TR	KTA1270Y(AUTO)(562Y)
D802	DZN4148---	DIODE	1N4148 AUTO 52MM	Q102	TZTC3198Y-	TR	KTC3198Y-(1815Y) (AUTO)
D803	DBAV20----	DIODE	BAV20	Q105	TZTC3198Y-	TR	KTC3198Y-(1815Y) (AUTO)
D804	DBAV20----	DIODE	BAV20	Q204	TZSR1009--	TR	KSR1009
D831	DZN4148---	DIODE	1N4148 AUTO 52MM	Q401	TKSD471ACY	TR	KSD471ACY
D832	DZN4148---	DIODE	1N4148 AUTO 52MM	Q501	TZTA1266Y-	TR	KTA1266Y- (AUTO)(1015Y)
D833	DBAV20----	DIODE	BAV20	Q504	TKSC2383Y-	TR	KSC 2383-Y
D834	DBAV20----	DIODE	BAV20	Q505	T2SC5387--	TR H.OUT	2SC5387
D861	DZN4148---	DIODE	1N4148 AUTO 52MM	Q506	TZTC3197--	TR	KTC3197 (AUTO)(388A)
D862	DZN4148---	DIODE	1N4148 AUTO 52MM	Q507	T1RF630A--	FET	IRF630A
D863	DBAV20----	DIODE	BAV20	Q510	TZTC3198Y-	TR	KTC3198Y-(1815Y) (AUTO)
D864	DBAV20----	DIODE	BAV20	Q511	T1RF630A--	FET	IRF630A
△ DG001	5MG0000066	COIL DEGAUSSING	DG-526X	Q512	TZTC3198Y-	TR	KTC3198Y-(1815Y) (AUTO)
DL211	DSD50GYW--	LED	SD50GYW(GREEN/AMBER)	Q513	T1RF630A--	FET	IRF630A
DZ001	DDZ7R5BM--	DIODE ZENER	DZ7.5BM	Q515	TZTA1266Y-	TR	KTA1266Y- (AUTO)(1015Y)
DZ003	DDZ22BM---	DIODE ZENER	DZ22BM	Q516	TZTA1266Y-	TR	KTA1266Y- (AUTO)(1015Y)
DZ006	DDZ15BM---	DIODE ZENER	DZ15BM	Q517	TBD677A---	TR	BD677A
DZ201	DDZ5R1B---	DIODE ZENER	DZ-5.1B	Q560	T2N6520---	TR	2N6520
DZ202	DDZ5R1B---	DIODE ZENER	DZ-5.1B	Q591	TZTA1270Y-	TR	KTA1270Y(AUTO)(562Y)
DZ203	DDZ5R1B---	DIODE ZENER	DZ-5.1B	Q592	TZTC3198Y-	TR	KTC3198Y-(1815Y) (AUTO)
DZ205	DDZ5R1B---	DIODE ZENER	DZ-5.1B	Q610	TZTC3198Y-	TR	KTC3198Y-(1815Y) (AUTO)
DZ206	DDZ5R1B---	DIODE ZENER	DZ-5.1B	Q611	TKSP45----	TR	KSP45
DZ207	DDZ5R1B---	DIODE ZENER	DZ-5.1B	Q612	TKSP45----	TR	KSP45
DZ208	DDZ5R1B---	DIODE ZENER	DZ-5.1B	Q613	TKSP45----	TR	KSP45
DZ212	DDZ5R1B---	DIODE ZENER	DZ-5.1B	Q614	TKSP45----	TR	KSP45
△ F001	5F3CB3122L	FUSE CERA	SEMKO TL 3.15AH 250V MF51	Q615	TZTA1266Y-	TR	KTA1266Y- (AUTO)(1015Y)
GND1	9970710233	CONN AS	HOLDER+1015#18+SOLDER=100	R003	RD-4Z105J-	R CARBON FILM	1/4 1M OHM J
GND2	9970710247	CONN AS	35068+35072+1015#22=160	R004	RS02Z104J-	R M-OXIDE FILM	2W 100K OHM J TAPPING
GND3	9970710247	CONN AS	35068+35072+1015#22=160	R005	RD-AZ102J-	R CARBON FILM	1/6 1K OHM J
△ IC001	1H3842P---	IC POWER	H3842P	R006	RD-AZ564J-	R CARBON FILM	1/6 560K OHM J
IC101	1UTC78L05M	IC REGULATOR	78L05M	R007	RD-AZ912J-	R CARBON FILM	1/6 9.1K OHM J
IC102	1KA78R12--	IC REGULATOR	KA78R12	R008	RD-AZ242J-	R CARBON FILM	1/6 2.4K OHM J
IC201	1DWM240T--	IC MICOM	NT68P62	R009	RS01Z273J-	R M-OXIDE FILM	1W 27K OHM J (TAPPING)
IC202	124C08----	IC EEPROM	24C08	R012	RD-AZ101J-	R CARBON FILM	1/6 100 OHM J
IC204	1DW0SD11--	IC OSD	NT6828-00005	R013	RD-AZ223J-	R CARBON FILM	1/6 22K OHM J
IC401	1KA2142---	IC V-OUT	KA2142	R014	RD-AZ102J-	R CARBON FILM	1/6 1K OHM J
IC501	1TDA4856--	IC H.OSC	TDA4856	R015	RS01Z228J-	R M-OXIDE FILM	1W 0.22 OHM J
IC801	1TDA9210--	IC VIDEO PREAMP	TDA9210	R016	RD-AZ103J-	R CARBON FILM	1/6 10K OHM J
IC802	1TDA9536--	IC VIDEO OUTPUT	TDA9536	R017	RD-AZ563J-	R CARBON FILM	1/6 56K OHM J
L502	5MH0000079	COIL H-LINEARITY	TRL-531X	R018	RD-AZ823J-	R CARBON FILM	1/6 82K OHM J
L503	5MC0000060	COIL CHOKE	TCH-18A	R026	RD-AZ912J-	R CARBON FILM	1/6 9.1K OHM J
L505	5MC0000060	COIL CHOKE	TCH-18A	R104	RD-AZ103J-	R CARBON FILM	1/6 10K OHM J
L801	5CPZ568K02	COIL PEAKING	0.56UH K (AXIAL 3.5MM)	R105	RD-4Z331J-	R CARBON FILM	1/4 330 OHM J
L831	5CPZ338K02	COIL PEAKING	0.33UH K (AXIAL 3.5MM)	R107	RD-AZ472J-	R CARBON FILM	1/6 4.7K OHM J
L861	5CPZ568K02	COIL PEAKING	0.56UH K (AXIAL 3.5MM)	R110	RD-2Z100J-	R CARBON FILM	1/2 10 OHM J
△ P001	9979500024	RECEPTACLE	02ME4E3P/FILTER EMI	R111	RD-2Z100J-	R CARBON FILM	1/2 10 OHM J
△ PR001	DECPAC140M	POSISTOR	ECPAC140M290	R112	RD-AZ102J-	R CARBON FILM	1/6 1K OHM J

LOC	PART-CODE	PART-NAME	PART-DESC
R113	RD-AZ562J	R CARBON FILM	1/6 5.6K OHM J
R202	RD-AZ101J	R CARBON FILM	1/6 100 OHM J
R203	RD-AZ101J	R CARBON FILM	1/6 100 OHM J
R204	RD-AZ202J	R CARBON FILM	1/6 2K OHM J
R205	RD-AZ101J	R CARBON FILM	1/6 100 OHM J
R206	RD-AZ101J	R CARBON FILM	1/6 100 OHM J
R207	RD-AZ103J	R CARBON FILM	1/6 10K OHM J
R208	RD-AZ105J	R CARBON FILM	1/6 1M OHM J
R209	RD-AZ562J	R CARBON FILM	1/6 5.6K OHM J
R210	RD-AZ562J	R CARBON FILM	1/6 5.6K OHM J
R211	RD-AZ153J	R CARBON FILM	1/6 15K OHM J
R212	RD-AZ433J	R CARBON FILM	1/6 43K OHM J
R213	RD-AZ203J	R CARBON FILM	1/6 20K OHM J
R214	RD-AZ103J	R CARBON FILM	1/6 10K OHM J
R215	RD-AZ153J	R CARBON FILM	1/6 15K OHM J
R216	RD-AZ433J	R CARBON FILM	1/6 43K OHM J
R217	RD-AZ203J	R CARBON FILM	1/6 20K OHM J
R218	RD-AZ202J	R CARBON FILM	1/6 2K OHM J
R219	RD-AZ152J	R CARBON FILM	1/6 1.5K OHM J
R220	RD-AZ152J	R CARBON FILM	1/6 1.5K OHM J
R221	RD-AZ391J	R CARBON FILM	1/6 390 OHM J
R223	RD-AZ101J	R CARBON FILM	1/6 100 OHM J
R224	RD-AZ202J	R CARBON FILM	1/6 2K OHM J
R225	RD-AZ101J	R CARBON FILM	1/6 100 OHM J
R226	RD-AZ202J	R CARBON FILM	1/6 2K OHM J
R228	RD-AZ391J	R CARBON FILM	1/6 390 OHM J
R231	RD-AZ274J	R CARBON FILM	1/6 270K OHM J
R232	RD-AZ223J	R CARBON FILM	1/6 22K OHM J
R233	RD-AZ202J	R CARBON FILM	1/6 2K OHM J
R234	RD-AZ122J	R CARBON FILM	1/6 1.2K OHM J
R237	RD-AZ101J	R CARBON FILM	1/6 100 OHM J
R240	RD-AZ101J	R CARBON FILM	1/6 100 OHM J
R250	RD-AZ101J	R CARBON FILM	1/6 100 OHM J
R251	RD-AZ101J	R CARBON FILM	1/6 100 OHM J
R252	RD-AZ511J	R CARBON FILM	1/6 510 OHM J
R253	RD-AZ562J	R CARBON FILM	1/6 5.6K OHM J
R254	85801052GY	WIRE COPPER	1/0.52 TIN COATING
R255	RD-AZ562J	R CARBON FILM	1/6 5.6K OHM J
R256	RD-AZ105J	R CARBON FILM	1/6 1M OHM J
R257	RD-AZ511J	R CARBON FILM	1/6 510 OHM J
R258	RD-AZ563J	R CARBON FILM	1/6 56K OHM J
R260	RD-AZ362J	R CARBON FILM	1/6 3.6K OHM J
R262	RD-AZ101J	R CARBON FILM	1/6 100 OHM J
R263	RD-AZ101J	R CARBON FILM	1/6 100 OHM J
R264	RD-AZ101J	R CARBON FILM	1/6 100 OHM J
R401	RD-AZ223J	R CARBON FILM	1/6 22K OHM J
R402	RD-AZ512J	R CARBON FILM	1/6 5.1K OHM J
R403	RD-AZ101J	R CARBON FILM	1/6 100 OHM J
R404	RD-AZ101J	R CARBON FILM	1/6 100 OHM J

LOC	PART-CODE	PART-NAME	PART-DESC
R410	RD-AZ682J	R CARBON FILM	1/6 6.8K OHM J
R411	RD-AZ682J	R CARBON FILM	1/6 6.8K OHM J
R412	RD-AZ562J	R CARBON FILM	1/6 5.6K OHM J
R413	RD-AZ682J	R CARBON FILM	1/6 6.8K OHM J
R414	RD-AZ682J	R CARBON FILM	1/6 6.8K OHM J
R415	RD-2Z109J	R CARBON FILM	1/2 1 OHM J
R416	RD-AZ562J	R CARBON FILM	1/6 5.6K OHM J
R417	RD-2Z309J	R CARBON FILM	1/2 3 OHM J
R418	RD-2Z339J	R CARBON FILM	1/2 3.3 OHM J
R420	RD-AZ472J	R CARBON FILM	1/6 4.7K OHM J
R421	RD-AZ562J	R CARBON FILM	1/6 5.6K OHM J
R422	RD-AZ303J	R CARBON FILM	1/6 30K OHM J
R426	RD-AZ103J	R CARBON FILM	1/6 10K OHM J
R427	RD-AZ202J	R CARBON FILM	1/6 2K OHM J
R500	RD-AZ393J	R CARBON FILM	1/6 39K OHM J
R501	RD-AZ302J	R CARBON FILM	1/6 3K OHM J
R502	RD-AZ332J	R CARBON FILM	1/6 3.3K OHM J
R504	RD-AZ103J	R CARBON FILM	1/6 10K OHM J
R506	RD-AZ471J	R CARBON FILM	1/6 470 OHM J
R507	RD-AZ122J	R CARBON FILM	1/6 1.2K OHM J
R508	RD-AZ222J	R CARBON FILM	1/6 2.2K OHM J
R510	RD-AZ473J	R CARBON FILM	1/6 47K OHM J
R511	RN-AZ2741F	R METAL FILM	1/6 2.74K OHM F
R512	RN-AZ1211F	R METAL FILM	1/6 1.21K OHM F
R513	RD-AZ332J	R CARBON FILM	1/6 3.3K OHM J
R514	RD-AZ512J	R CARBON FILM	1/6 5.1K OHM J
R515	RD-AZ472J	R CARBON FILM	1/6 4.7K OHM J
R516	RD-AZ332J	R CARBON FILM	1/6 3.3K OHM J
R517	RD-AZ153J	R CARBON FILM	1/6 15K OHM J
R520	RD-2Z121J	R CARBON FILM	1/2 120 OHM J
R521	RD-AZ220J	R CARBON FILM	1/6 22 OHM J
R522	RD-AZ223J	R CARBON FILM	1/6 22K OHM J
R523	RD-AZ563J	R CARBON FILM	1/6 56K OHM J
R524	RD-2Z121J	R CARBON FILM	1/2 120 OHM J
R525	RD-2Z121J	R CARBON FILM	1/2 120 OHM J
R526	RD-2Z221J	R CARBON FILM	1/2 220 OHM J
R527	RD-AZ102J	R CARBON FILM	1/6 1K OHM J
R528	RD-AZ223J	R CARBON FILM	1/6 22K OHM J
R529	RD-2Z229J	R CARBON FILM	1/2 2.2 OHM J
R530	RD-2Z221J	R CARBON FILM	1/2 220 OHM J
R533	RD-AZ513J	R CARBON FILM	1/6 51K OHM J
R534	RD-AZ153J	R CARBON FILM	1/6 15K OHM J
R535	RD-AZ182J	R CARBON FILM	1/6 1.8K OHM J
R536	RD-AZ105J	R CARBON FILM	1/6 1M OHM J
R537	RD-AZ153J	R CARBON FILM	1/6 15K OHM J
R538	RD-AZ182J	R CARBON FILM	1/6 1.8K OHM J
R541	RD-AZ102J	R CARBON FILM	1/6 1K OHM J
R543	RD-AZ912J	R CARBON FILM	1/6 9.1K OHM J
R544	RD-AZ391J	R CARBON FILM	1/6 390 OHM J

LOC	PART-CODE	PART-NAME	PART-DESC	LOC	PART-CODE	PART-NAME	PART-DESC
R545	RD-AZ471J-	R CARBON FILM	1/6 470 OHM J	R802	RD-AZ330J-	R CARBON FILM	1/6 33 OHM J
R547	RS01Z688J-	R M-OXIDE FILM	1W 0.68 OHM J	R803	RD-AZ360J-	R CARBON FILM	1/6 36 OHM J
R548	DTVR1G----	DIODE	TVR1G TPA1	R804	RD-4Z121J-	R CARBON FILM	1/4 120 OHM J
R549	RD-AZ153J-	R CARBON FILM	1/6 15K OHM J	R805	RD-4Z121J-	R CARBON FILM	1/4 120 OHM J
R550	RD-AZ154J-	R CARBON FILM	1/6 150K OHM J	R811	RD-AZ101J-	R CARBON FILM	1/6 100 OHM J
R551	RD-AZ154J-	R CARBON FILM	1/6 150K OHM J	R812	RD-AZ279J-	R CARBON FILM	1/6 2.7 OHM J
R553	RD-2Z758J-	R CARBON FILM	1/2 0.75 OHM J	R813	RD-AZ279J-	R CARBON FILM	1/6 2.7 OHM J
R554	RS01Z102J-	R M-OXIDE FILM	1W 1K OHM J (TAPPING)	R815	RD-4Z562J-	R CARBON FILM	1/4 5.6K OHM J
R555	RD-4Z104J-	R CARBON FILM	1/4 100K OHM J	R816	RD-4Z564J-	R CARBON FILM	1/4 560K OHM J
R556	RD-AZ562J-	R CARBON FILM	1/6 5.6K OHM J	R817	RD-2Z228J-	R CARBON FILM	1/2 0.22 OHM J
R560	RD-AZ913J-	R CARBON FILM	1/6 91K OHM J	R831	RD-AZ750J-	R CARBON FILM	1/6 75 OHM J
R562	RD-AZ393J-	R CARBON FILM	1/6 39K OHM J	R832	RD-AZ330J-	R CARBON FILM	1/6 33 OHM J
R563	RN-AZ2701F	R METAL FILM	1/6 2.7K OHM F	R833	RD-AZ360J-	R CARBON FILM	1/6 36 OHM J
R564	RD-AZ302J-	R CARBON FILM	1/6 3K OHM J	R834	RD-4Z121J-	R CARBON FILM	1/4 120 OHM J
R572	RD-4Z473J-	R CARBON FILM	1/4 47K OHM J	R835	RD-4Z121J-	R CARBON FILM	1/4 120 OHM J
R574	RD-4Z473J-	R CARBON FILM	1/4 47K OHM J	R841	RD-AZ101J-	R CARBON FILM	1/6 100 OHM J
R578	RD-2Z758J-	R CARBON FILM	1/2 0.75 OHM J	R861	RD-AZ750J-	R CARBON FILM	1/6 75 OHM J
R580	RD-AZ824J-	R CARBON FILM	1/6 820K OHM J	R862	RD-AZ330J-	R CARBON FILM	1/6 33 OHM J
R589	RD-AZ822J-	R CARBON FILM	1/6 8.2K OHM J	R863	RD-AZ360J-	R CARBON FILM	1/6 36 OHM J
R591	RD-AZ103J-	R CARBON FILM	1/6 10K OHM J	R864	RD-4Z121J-	R CARBON FILM	1/4 120 OHM J
R592	RD-AZ152J-	R CARBON FILM	1/6 1.5K OHM J	R865	RD-4Z121J-	R CARBON FILM	1/4 120 OHM J
R594	RD-AZ102J-	R CARBON FILM	1/6 1K OHM J	R871	RD-AZ101J-	R CARBON FILM	1/6 100 OHM J
R595	RD-AZ273J-	R CARBON FILM	1/6 27K OHM J	△ RL001	5SC0101325	SW RELAY	HR-CR7 DC12V
R596	RD-AZ104J-	R CARBON FILM	1/6 100K OHM J	SG610	4SG0D00104	SPARK GAP	S-23 1.5KV
R597	RD-AZ104J-	R CARBON FILM	1/6 100K OHM J	SG801	DWSP201M--	SURGE ABSORBER	WSP-201M
R598	RD-AZ183J-	R CARBON FILM	1/6 18K OHM J	SG811	4SG0D00104	SPARK GAP	S-23 1.5KV
R610	RD-AZ182J-	R CARBON FILM	1/6 1.8K OHM J	SG831	DWSP201M--	SURGE ABSORBER	WSP-201M
R611	RD-AZ472J-	R CARBON FILM	1/6 4.7K OHM J	SG861	DWSP201M--	SURGE ABSORBER	WSP-201M
R612	RD-AZ100J-	R CARBON FILM	1/6 10 OHM J	SW201	5S50101Z01	SW TACT	KPT-1115VM 1C-1P
R613	RD-AZ244J-	R CARBON FILM	1/6 240K OHM J	SW202	5S50101Z01	SW TACT	KPT-1115VM 1C-1P
R614	RD-AZ433J-	R CARBON FILM	1/6 43K OHM J	SW203	5S50101Z01	SW TACT	KPT-1115VM 1C-1P
R615	RD-AZ754J-	R CARBON FILM	1/6 750K OHM J	SW204	5S50101Z01	SW TACT	KPT-1115VM 1C-1P
R616	RD-AZ624J-	R CARBON FILM	1/6 620K OHM J	SW205	5S50101Z01	SW TACT	KPT-1115VM 1C-1P
R617	RD-2Z184J-	R CARBON FILM	1/2 180K OHM J	SW206	5S50101Z01	SW TACT	KPT-1115VM 1C-1P
R618	RD-2Z184J-	R CARBON FILM	1/2 180K OHM J	△ T001	5RM0000103	TRANS SMPS	DMT-531X
R619	RD-2Z822J-	R CARBON FILM	1/2 8.2K OHM J	△ T500	5RH0000129	FBT	CF1656
R620	RD-2Z102J-	R CARBON FILM	1/2 1K OHM J	T501	5RD0000052	TRANS DRIVE	DDT-531X
R621	RD-AZ473J-	R CARBON FILM	1/6 47K OHM J	TH001	DTP8D13---	THERMISTOR	TP8D13
R623	RD-4Z472J-	R CARBON FILM	1/4 4.7K OHM J	VR001	RV6121202P	R SEMI FIXED	CCT 063BT 2K OHM B TAP
R624	RD-AZ133J-	R CARBON FILM	1/6 13K OHM J	VR501	RV6121102P	R SEMI FIXED	CCT 063BT 1K OHM B TAP
R625	RD-AZ822J-	R CARBON FILM	1/6 8.2K OHM J	X201	5PEF0EC8T4	RESONATOR	EFOEC8004T4
R801	RD-AZ750J-	R CARBON FILM	1/6 75 OHM J				