



Video Products Technical Bulletin 30-2004-107

DATE: **June 28, 2004**

SUBJECT: **PARTS REGISTRATION—CAPTION VISION BOARD**

MODEL: **PVM-14L2
PVM-20L2
PVM-9L2**

DESCRIPTION

The caption vision board is now available as service part number **1-761-783-11**.

To install the board, refer to the following installation procedure.

SERIAL NO:

PVM-14L2	2,000,001 and Higher
PVM-20L2	2,000,001 and Higher
PVM-9L2	2,000,001 and Higher

ORDERING INFORMATION

To order upgrades or for regional service center and parts ordering information, refer to the following document, which lists all contact telephone numbers:

Technical Bulletin *001999000*

PVM-9L2 (9-INCH MONITOR)

Installation Procedure

1. Remove the eight screws from the right and left sides of the top cover. (See Figure 1.)

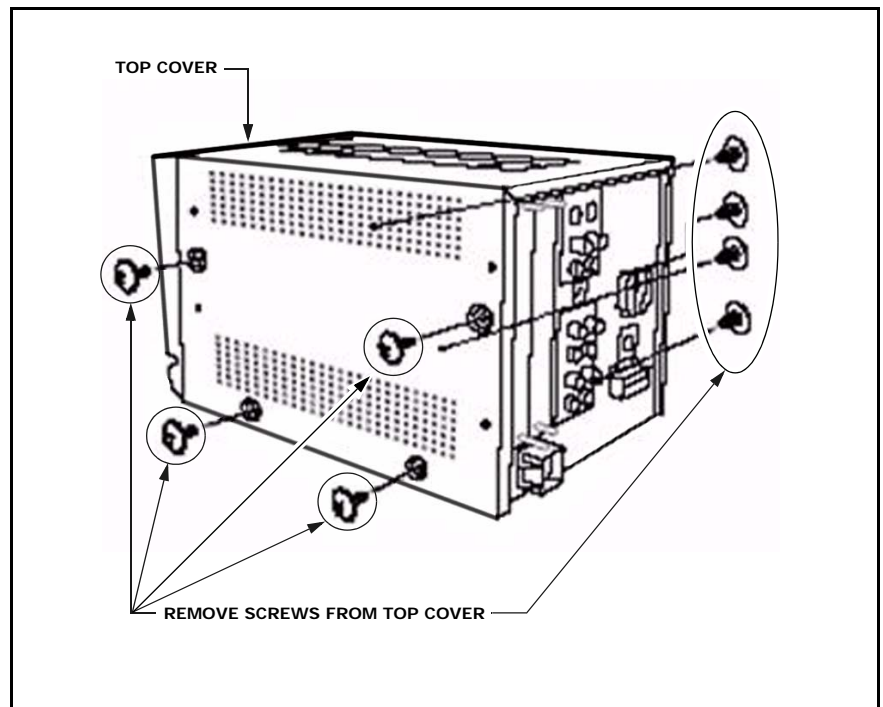


Figure 1

DPMO03-065

2. Lift the top cover slightly, and slide it back to remove it. (See Figure 2.)

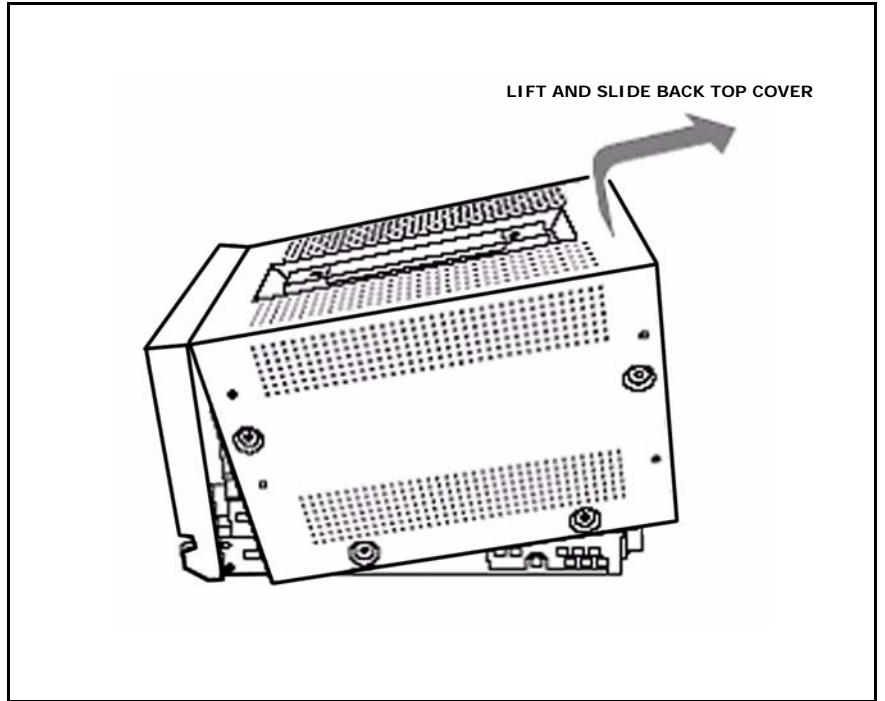


Figure 2

3. Remove the bundle of cables secured by the purse lock. (See Figure 3.)

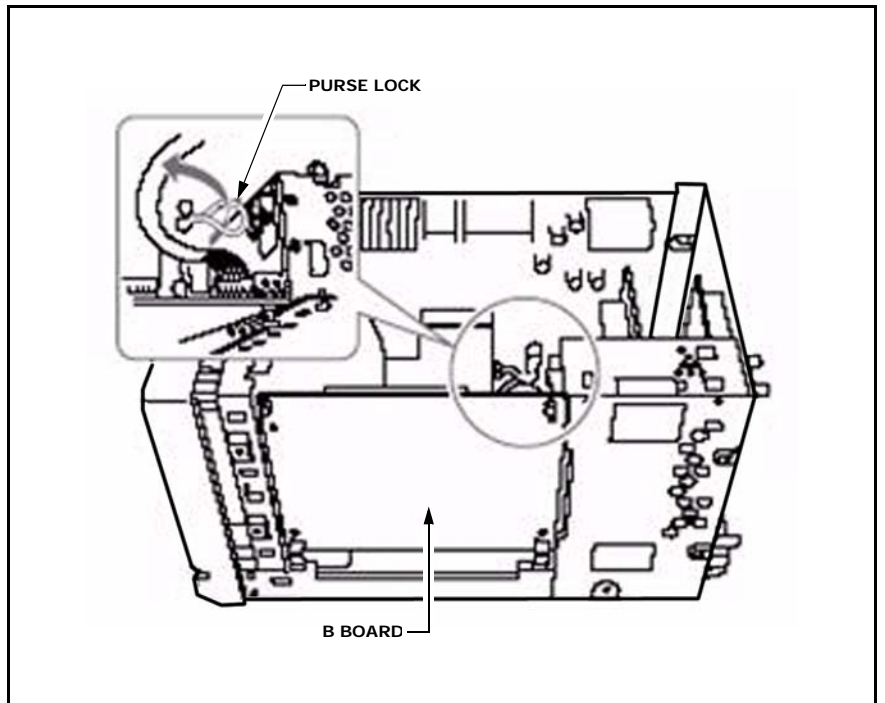


Figure 3

4. Remove the connector from the B board. (See Figure 4.)

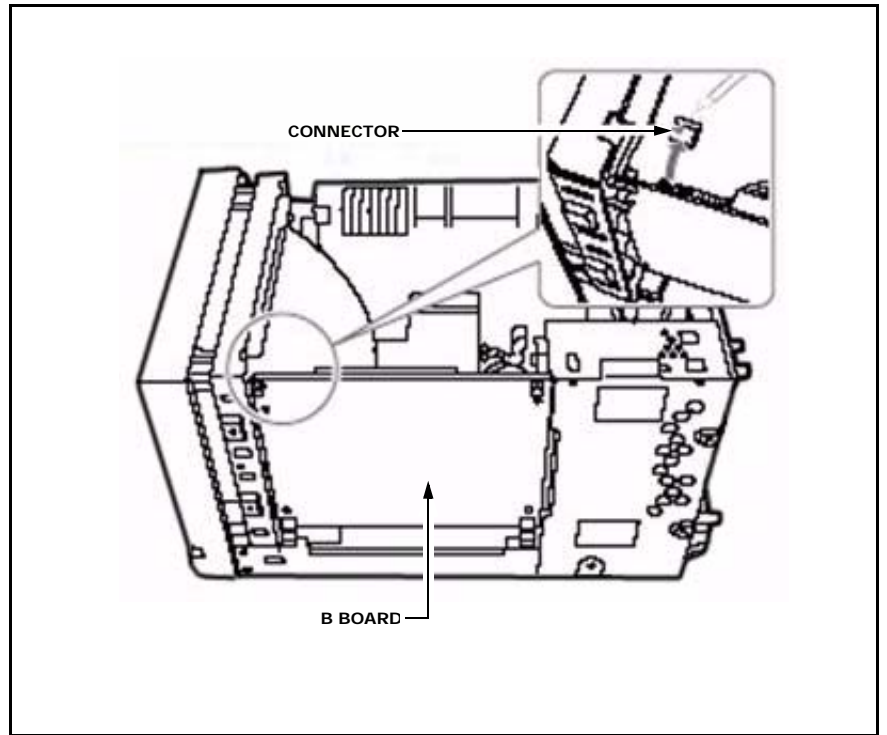


Figure 4

5. Remove the three screws securing the B board to the monitor. (See Figure 5.)

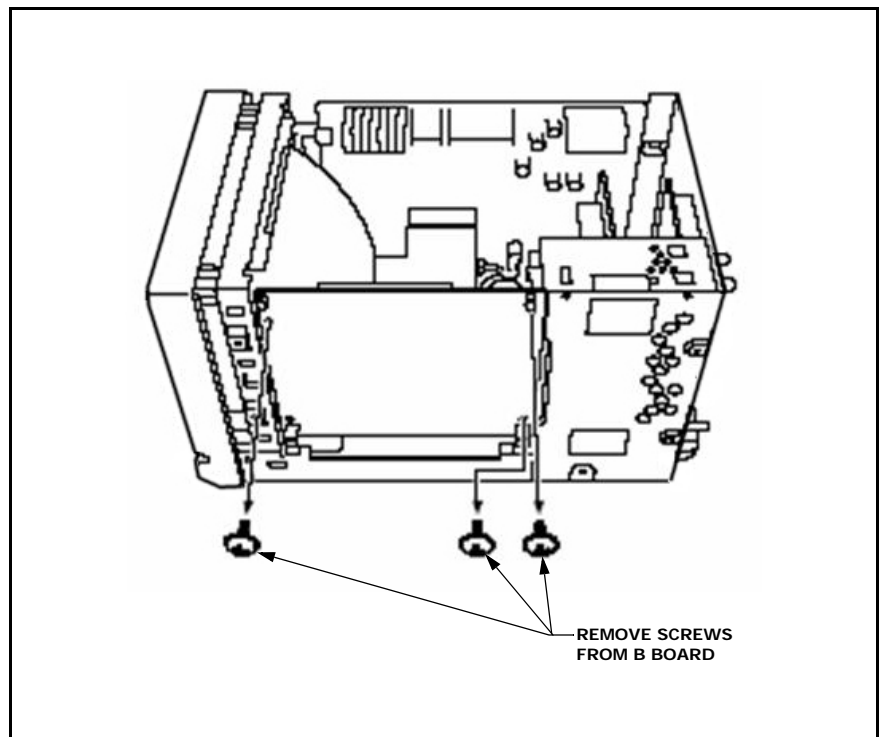


Figure 5

6. Lay the B board down, and connect the caption vision board to the B board as shown in Figure 6.

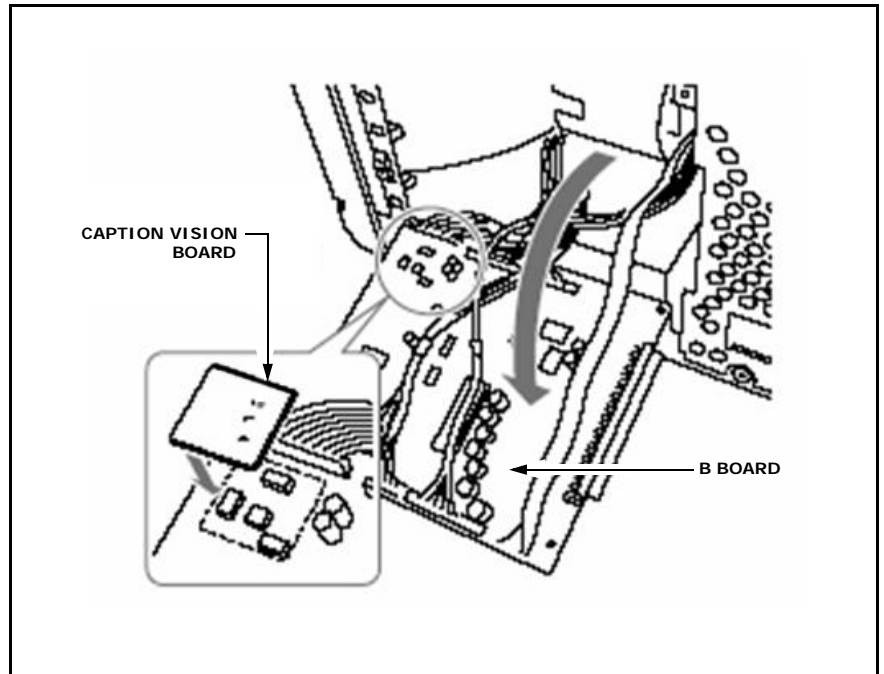


Figure 6

Reassembly (PVM-9L2)

1. Reinstall the components and cables just as they were before installation of the caption vision board.
2. Reattach the B board in its original location, and secure it to the monitor with the three screws.
3. Reconnect the connector to the B board.
4. Rebundle the cables, and secure them in the purse lock.
5. Reattach the top cover, and secure it to the monitor with the eight screws.

PVM-14L2/20L2 (14/20-INCH MONITOR)

Installation Procedure

1. Remove the screws from the cabinet as shown in Figure 7.

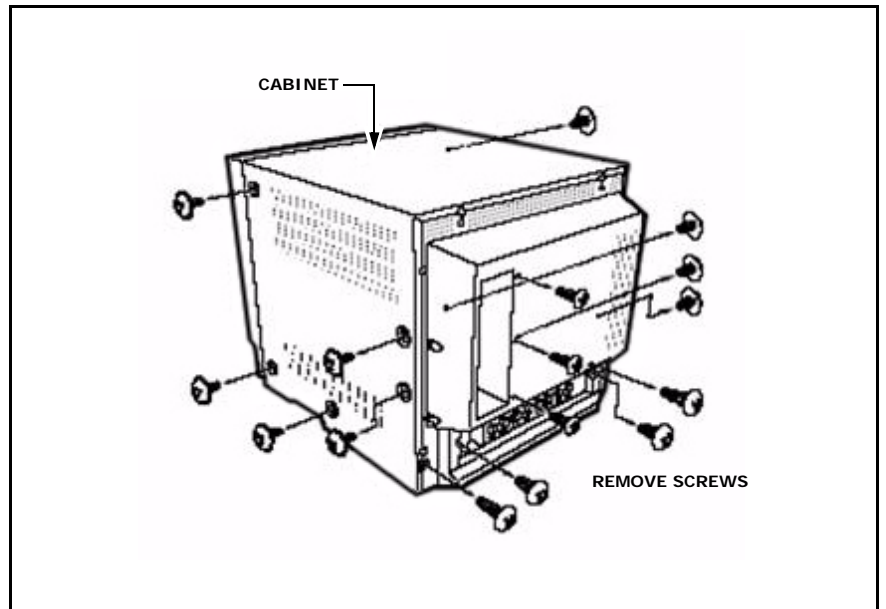


Figure 7

2. Pull the cabinet back, then slide it back to remove it. (See Figure 8.)

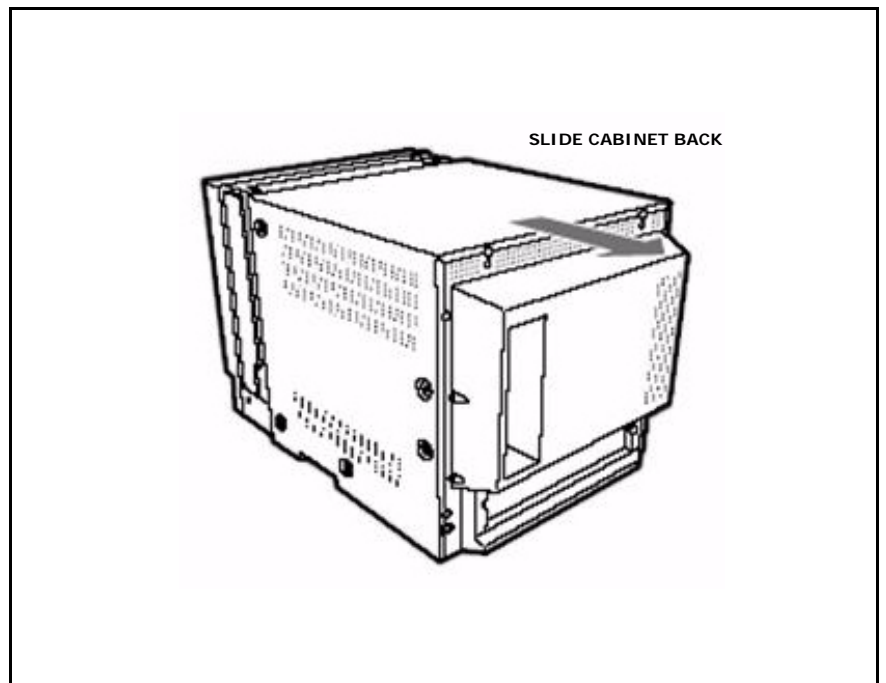


Figure 8

3. Remove the bundle of cables secured by the purse lock. (See Figure 9.)

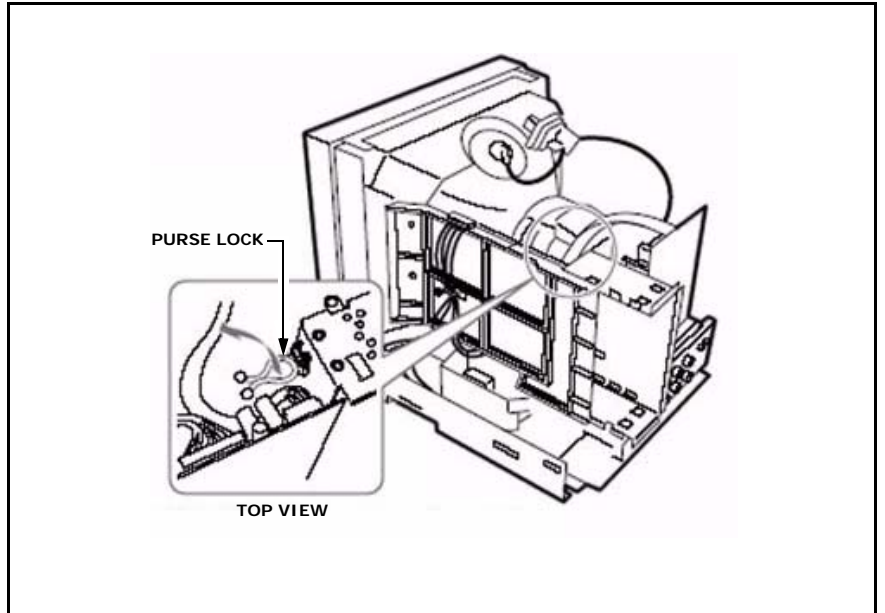


Figure 9

4. Remove the connector from the B board. (See Figure 10.)

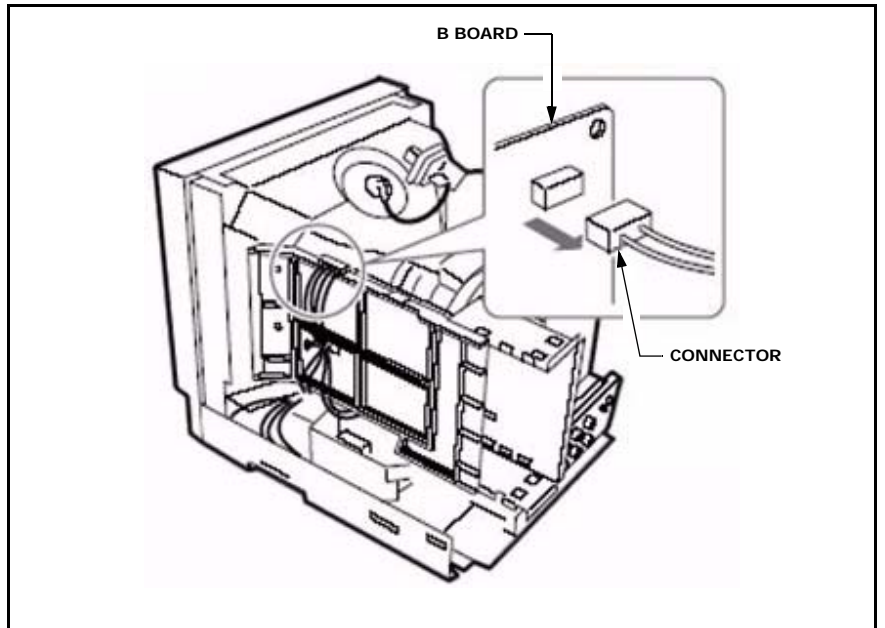


Figure 10

5. Remove the three screws securing the B board to the monitor. (See Figure 11.)

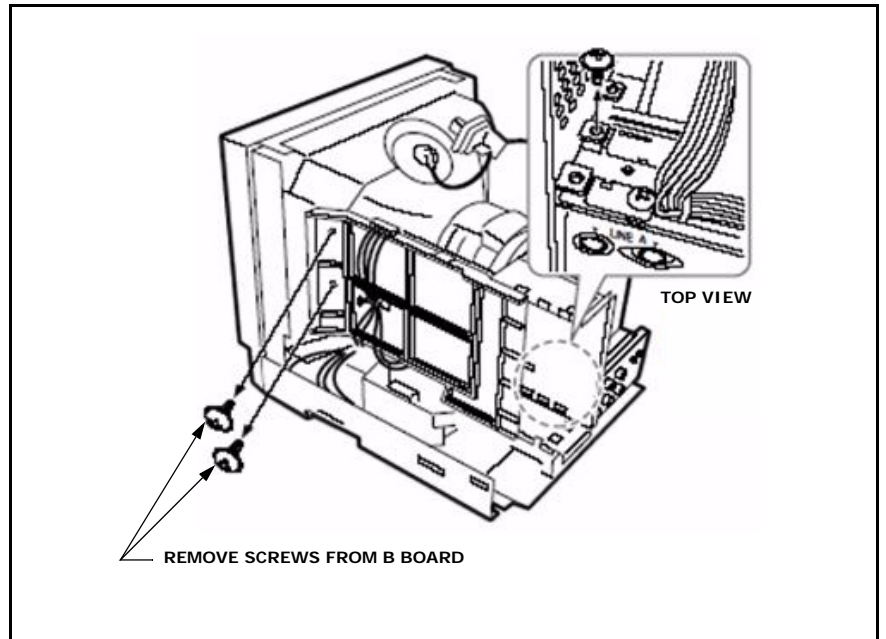


Figure 11

6. Lift up the B board slightly to release it from the stoppers on the monitor, then pull down the B board in the direction of the arrow in Figure 12.

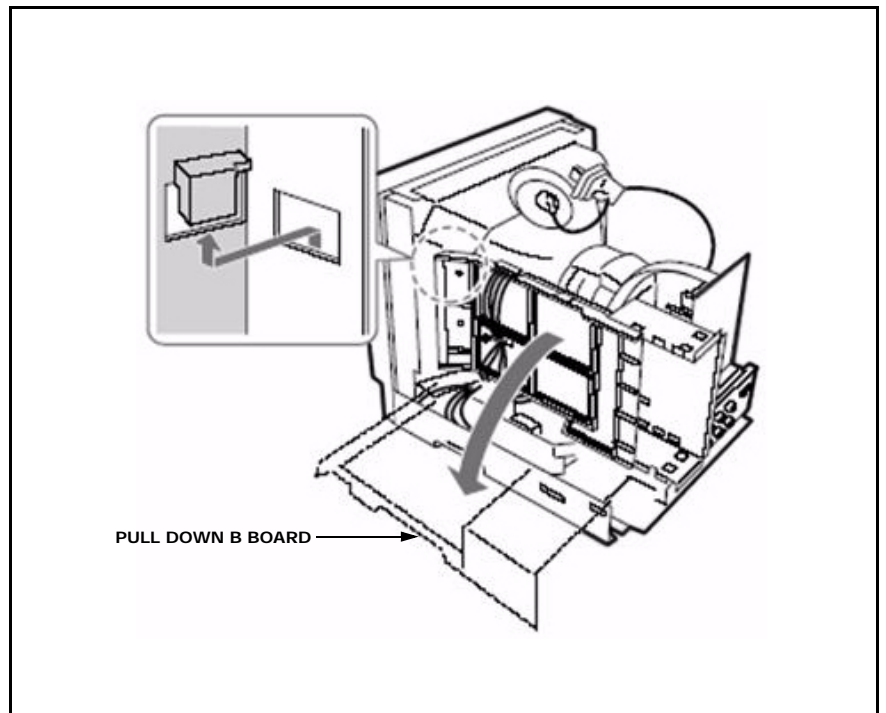


Figure 12

7. Connect the caption vision board to the B board as shown in Figure 13.

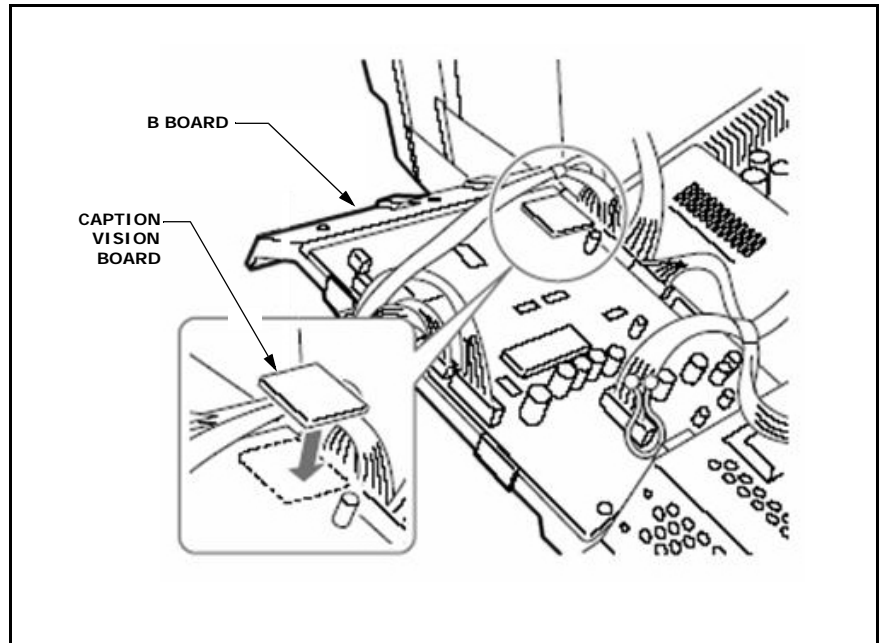


Figure 13

Reassembly (PVM-14L2/20L2)

1. Reinstall the components and cables just as they were before installation of the caption vision board.
2. Reattach the B board in its original location, and secure it to the monitor with the three screws.
3. Reconnect the connector to the B board.
4. Rebundle the cables, and secure them in the purse lock.
5. Reattach the cabinet, and secure it to the monitor with the 16 screws.