



Video Products Technical Bulletin 30-2010-077

DATE: **June 14, 2010**SUBJECT: **PARTS REGISTRATION—LCD MODULE**MODEL: **PVM-L2300**SERIAL NO: **ALL****DESCRIPTION**

To comply with safety regulations in China, a new LCD module is available. (See Figure 1.)

Former

LCD module (service)
A-1660-857-A

**New**

LCD module (service)
A-1660-857-B

When replacing the LCD module, use the part number listed in Table 1.

Table 1

Region	Serial No.	LCD Module Part No.
China	7,200,001 and higher	A-1660-857-B
Other than China	2,000,001 and higher 7,501,001–7,501,002	A-1660-857-A or A-1660-857-B

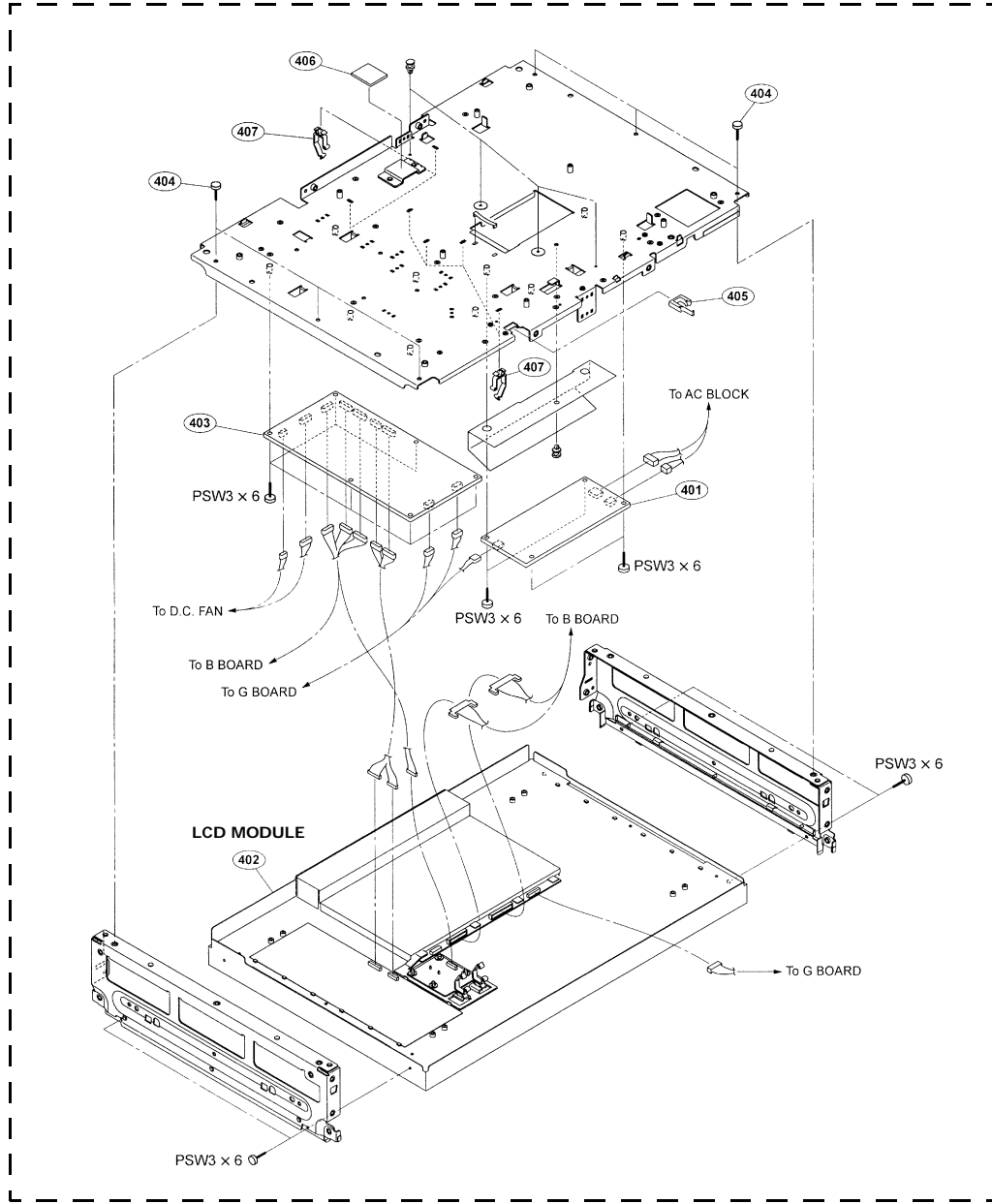
ORDERING INFORMATION

To order parts online, go to: www.sony.com/servicesplus. For service or parts ordering assistance, refer to the following document, which lists all contact telephone numbers:

Technical Bulletin 00-1999-000

3-8

SECTION 3 SPARE PARTS
3-2. EXPLODED VIEWS
LCD UNIT



3-8

No.	Part No.	SP	Description
402	A-1660-857-A	s	MODULE (SERVICE), LCD
	↓		
	[A-1660-857-B]		

Figure 1