

HDVS® Display

Date: May 25, 1992

Subject: PART REGISTRATION—NET COVER

Model: HDM-3830/3830E

Serial No: ALL

DESCRIPTION

The net cover (part no. 4-383-385-02) has been registered as a special order service part. Add the part number to the HDM-3830/3830E Operation and Maintenance Manual as shown in Figure 1.

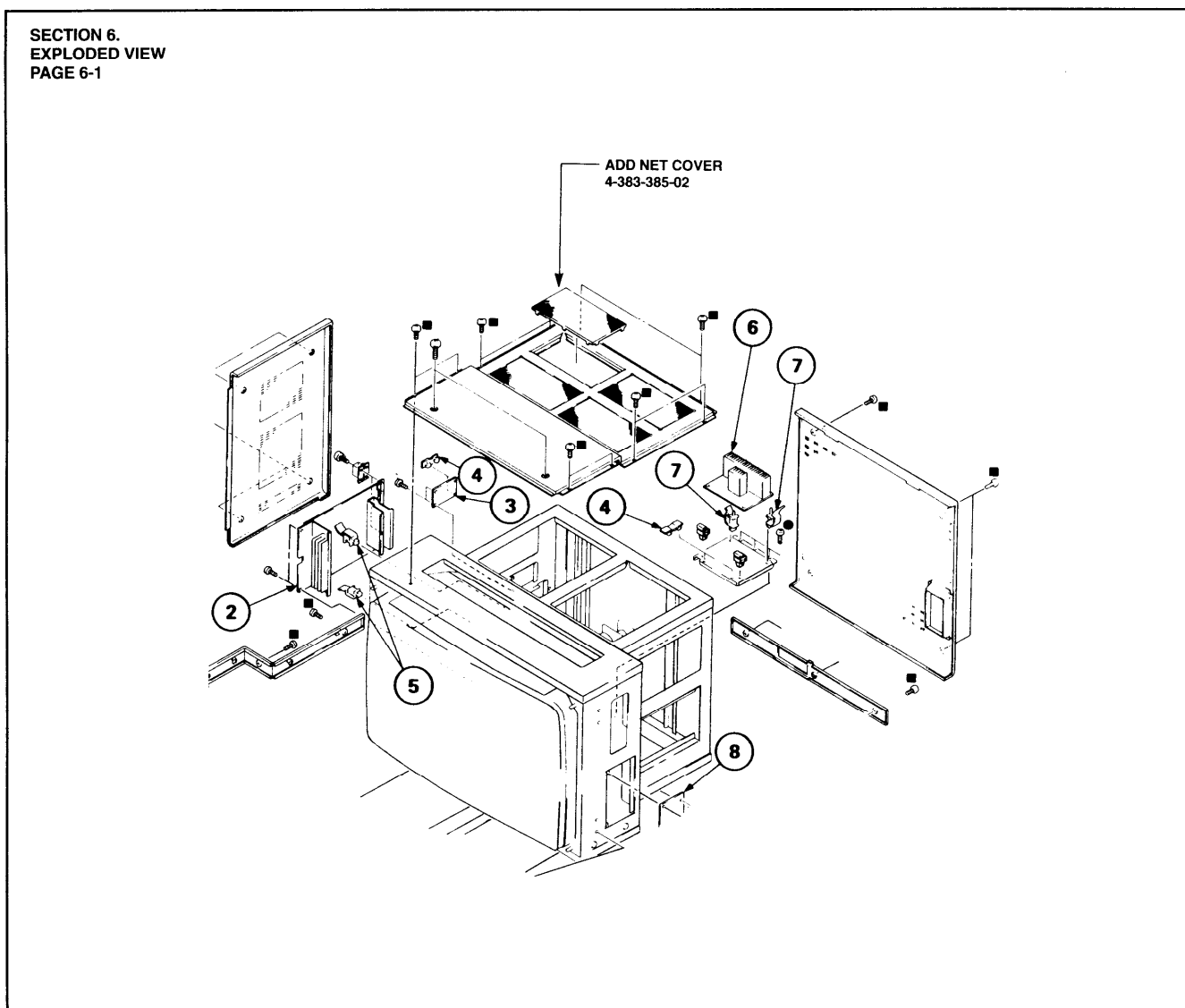


Figure 1