



**Display**

Date: **November 9, 1998**

Subject: **PVM-96, PVM-97, PVM-136, PVM-137**

Serial No: **SEE TEXT**

Subject: **PREVENTING CRT PIN DAMAGE, AND  
 ADDING OVER CURRENT PROTECTOR**

**DESCRIPTION**

**Preventing CRT Pin Damage**

The information below affects units with the following serial numbers:

- PVM-96 1,000,001–1,004,456
- PVM-97 1,000,001–1,011,463

If tension in the wires leading from the C board adds stress to the pins of the CRT, the glass around the pins may crack, causing a short in the CRT pins and the horizontal output (H. OUT) transistor to heat up.

To correct this condition, unlock the purse lock that clamps the wires leading from the C board, to ease the stress on the wires. See Figure 1.

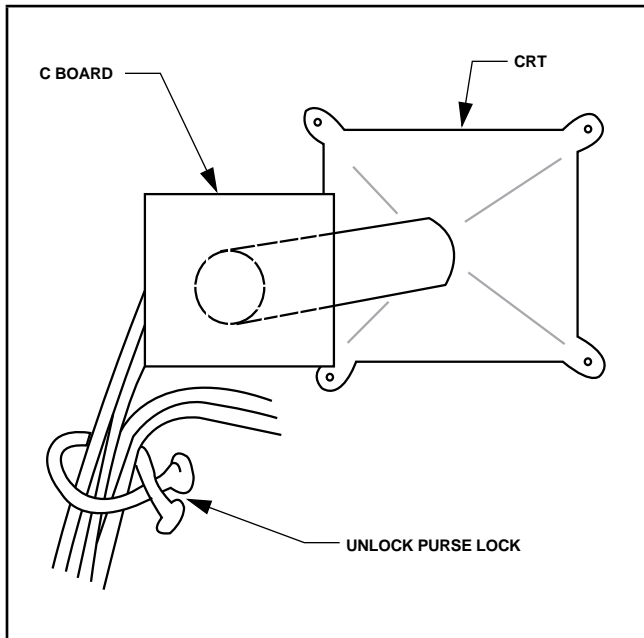
**Adding Over Current Protector**

The information below affects units with the following serial numbers:

- PVM-96 1,004,637 and higher
- PVM-97 1,012,284 and higher
- PVM-136 1,001,397 and higher
- PVM-137 1,004,327 and higher

Because of the short that may occur in the CRT pins as described above, and to protect the H. OUT transistor from failing, resistor R670 (100Ω) on the G2 board (side A) has been removed, and an over current protector circuit has been added to the board, as shown in Figure 2.

The new circuit includes the components listed in Table 1.



**Figure 1**

**Table 1**

Part No.	Description	Qty.
1-216-369-00	Res, 1Ω, 2W (R690)	1
1-249-414-11	Res, 560Ω, 1/4W (R691)	
1-249-433-11	Res, 22kΩ, 1/4W (R692)	
1-249-427-11	Res, 6.8kΩ, 1/4W (R693)	
1-249-431-11	Res, 15kΩ, 1/4W (R694)	
1-249-438-11	Res, 56kΩ, 1/4W (R695)	
1-249-435-11	Res, 33kΩ, 1/4W (R696)	
8-729-119-76	Transistor, 2SA1175 (Q676)	
8-719-018-72	Thyristor, CR02AM (Q677)	
1-123-875-51	Cap, 10μF/50V (C674, C675)	2
8-719-911-19	Diode, 1SS119 (D673, D674)	



G2 BOARD SCHEMATIC

NEWLY ADDED OVER CURRENT PROTECTOR CIRCUIT

100Ω RESISTOR R670 HAS BEEN REMOVED

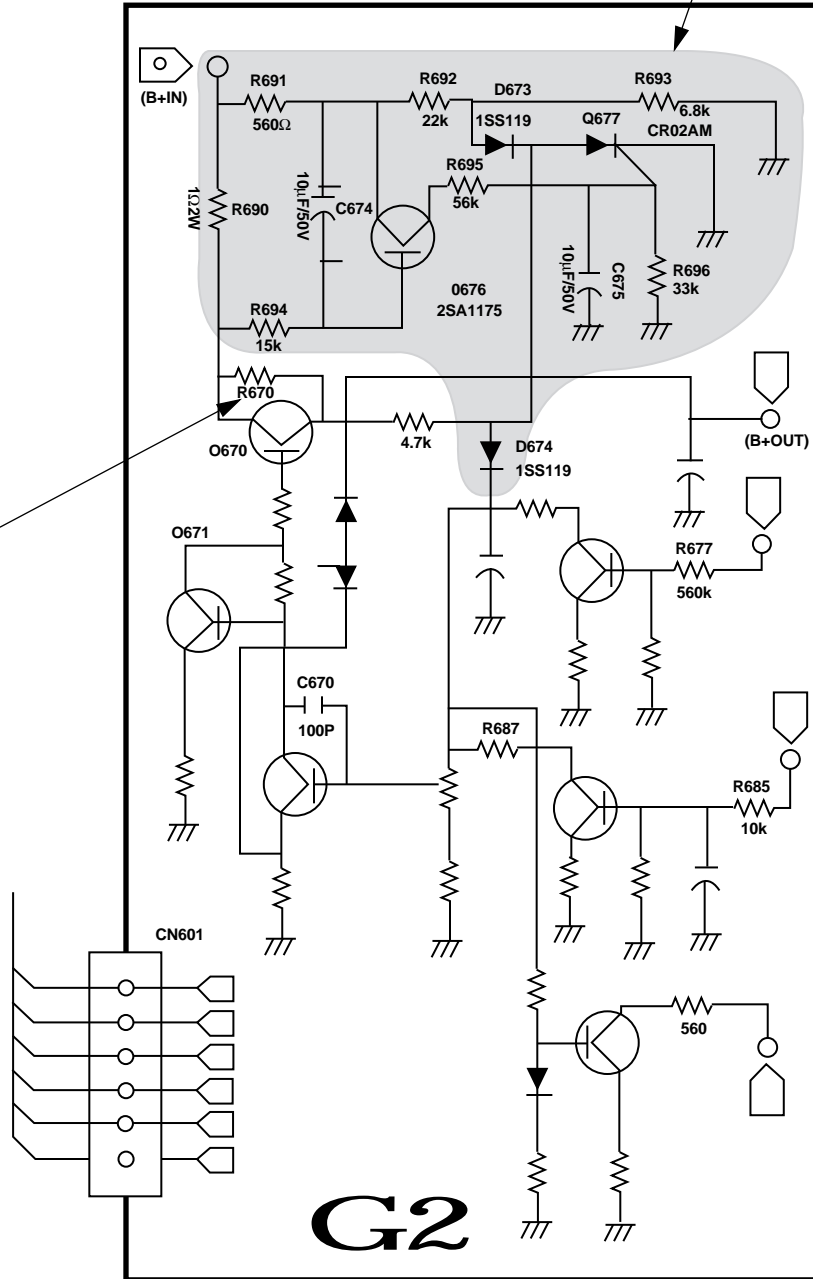


Figure 2