

Display

Date: **August 24, 1992**

Subject: **PART REGISTRATION—POWER SUPPLY ASSEMBLY**

Model: **PVM-2030**

Serial No: **ALL**

DESCRIPTION

The GA and GB boards and the shield case are now registered as Power Supply Assembly, part number A-1477-425-A. Update the PVM-2030 Service Manual as shown in Figure 1.

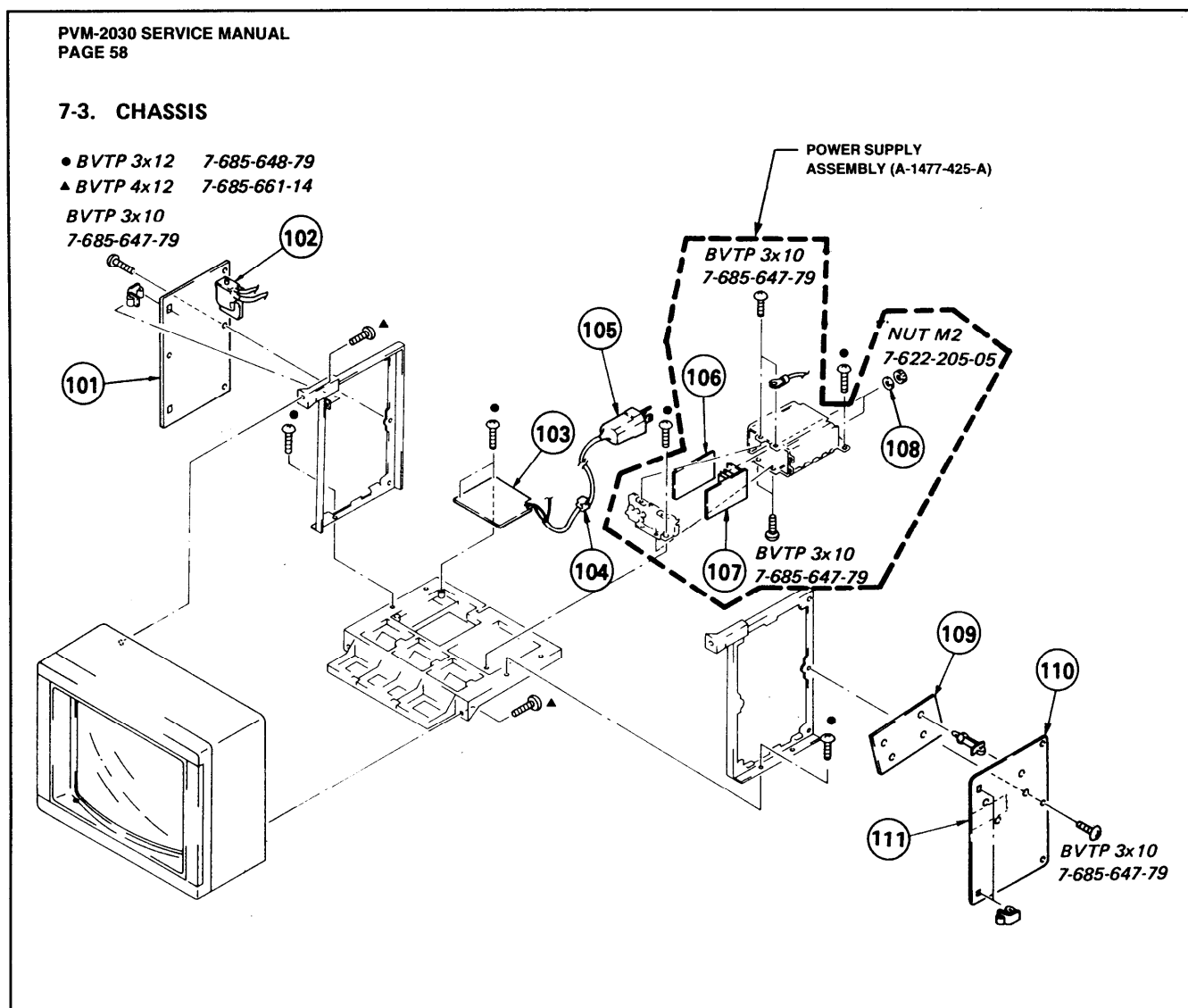


Figure 1