

**Display**

Date: **May 8, 1995**

Subject: **WHITE BALANCE ERROR WHEN USING  
 BKM-1450/2056 BOARD**

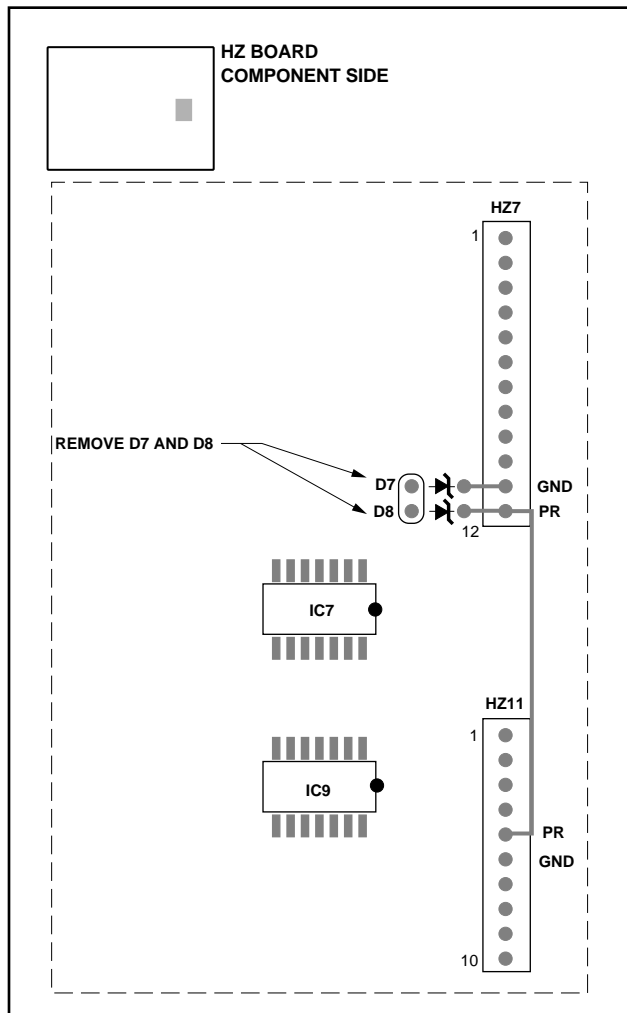
Model: **BVM-1311/1316/1316C/1911/1916/2811**

Serial No: **ALL**

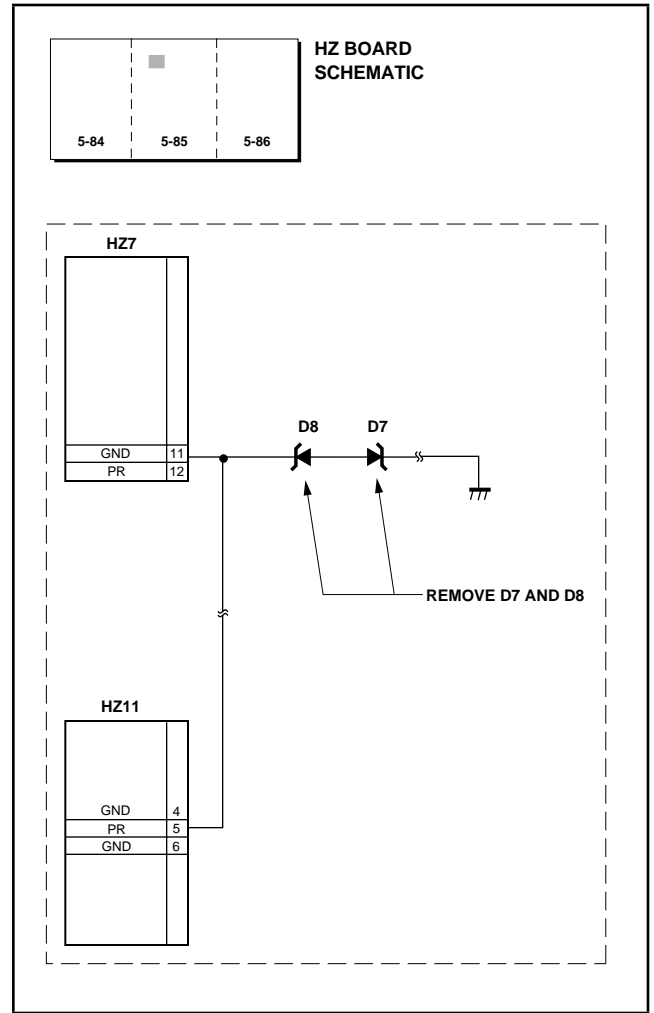
**DESCRIPTION**

If a BKM-1450/2056 auto-setup board is used, an adjustment error may occur when adjusting the white balance, especially of a 13-inch monitor.

To correct this condition, remove D7 and D8 (RD5.6SB) from the HZ board as shown in Figures 1 and 2.



**Figure 1**



**Figure 2**