

Display

Date: **September 16, 1996**

Subject: **16:9 MASK INSTALLATION**

Model: **BVM-14E1U/14E5U/14F1U/14F5U
BVM-20E1U/20F1U**

Serial No: **ALL**

DESCRIPTION

Caution must be used or the bezel may become deformed during installation if pressed too firmly to the CRT. The BKM-33H14/BKM-33H20 16:9 mask can not be installed when the bezel is deformed.

When installing the 16:9 mask, perform the following modification procedure.

PARTS REQUIRED

Part No.	Description	Qty.
7-685-648-71	Screw, BVTP 3X12	2 / 4*

* 4 screws for 14" bezel, 2 screws for 20" bezel.

MODIFICATION PROCEDURE

1. Loosen four crews attaching bezel ass'y. (See unit related Figures 1, 2 or 3.)

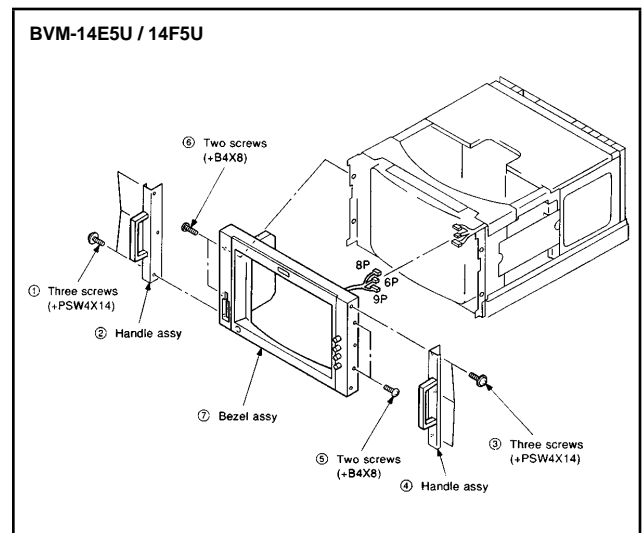


Figure 2

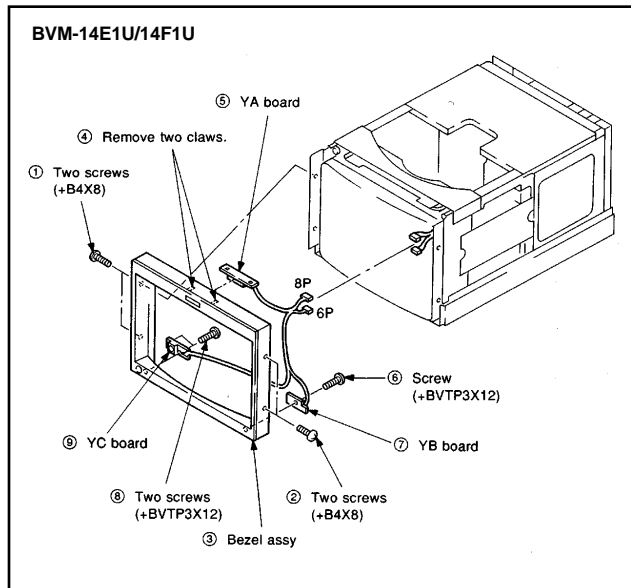


Figure 1

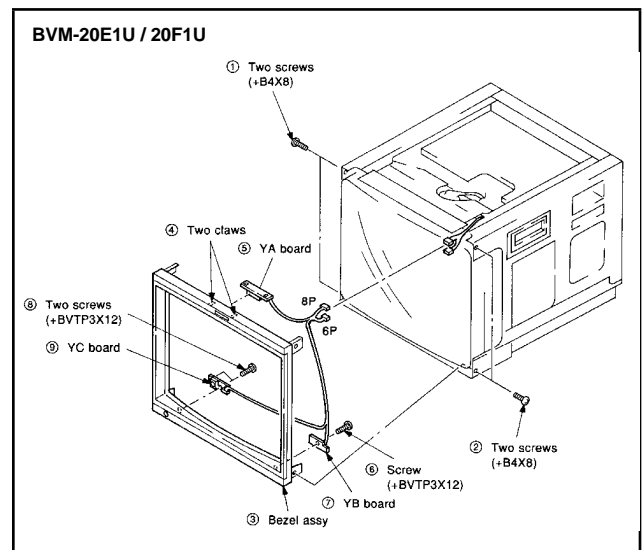


Figure 3

2. Move bezel slightly off CRT and adjust attachment position.
3. Confirm that clearance between top cover and bezel is even.
4. If necessary, permanently attach mask (16:9, 4:3).
 - a. Remove bezel from chassis. (See unit related mask Figures 4 and 5.)
 - b. Attach mask from back of bezel using BVTP 3X12 screws.

NOTE: Attachment bosses are provided.

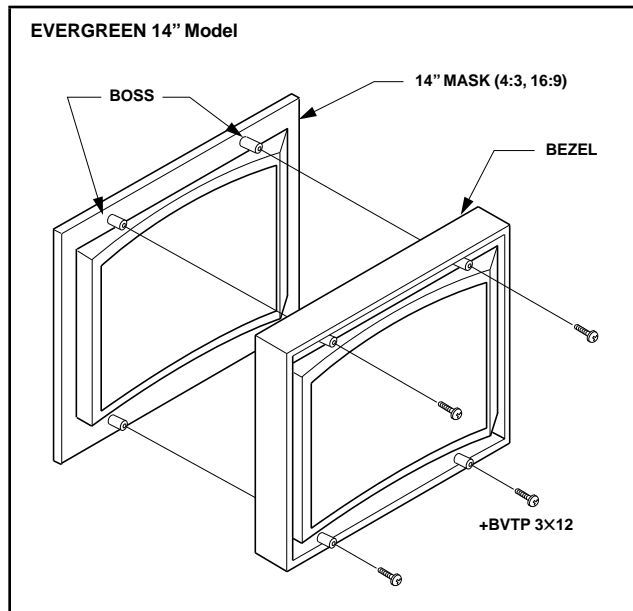


Figure 4

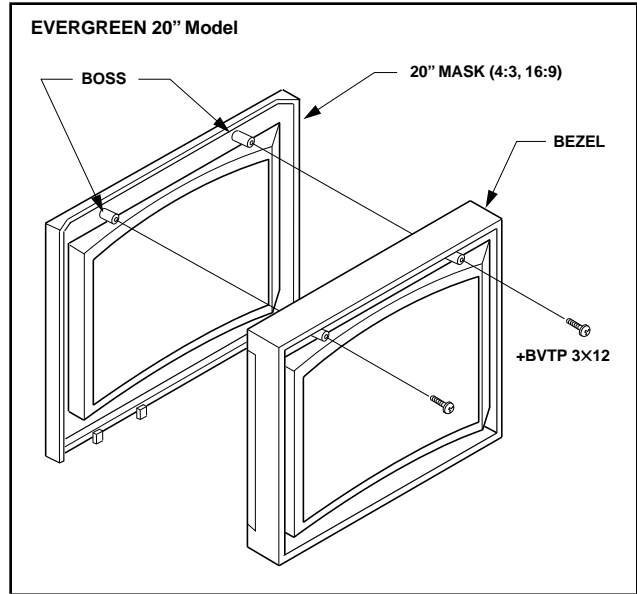


Figure 5