



Display

Video Products Technical Bulletin 30-2003-134

DATE: **July 7, 2003**

SUBJECT: **PARTS REGISTRATION—NEW A BOARDS
COMPLY WITH EMC REGULATIONS**

MODEL: **PVM-14N5E**
PVM-14N6E
PVM-20N5E
PVM-20N6E
SSM-14N5E
SSM-20N5E

DESCRIPTION

To comply with power supply frequency specifications required by EMC regulations, new A boards are available as service parts. (See Table 1.)

Table 1

| Model | A Board | |
|-----------|-----------------|--------------|
| | Former Part No. | New Part No. |
| PVM-14N5E | A-1298-614-A | A-1299-370-A |
| PVM-14N6E | A-1298-615-A | A-1299-369-A |
| PVM-20N5E | A-1298-619-A | A-1299-372-A |
| PVM-20N6E | A-1298-621-A | A-1299-371-A |
| SSM-14N5E | A-1298-623-A | A-1299-373-A |
| SSM-20N5E | A-1298-622-A | A-1299-374-A |

SERIAL NO:

PVM-14N5E 6,014,249 and Higher
PVM-14N6E 6,013,808 and Higher
PVM-20N5E 6,003,094 and Higher
PVM-20N6E 6,001,201 and Higher
SSM-14N5E 6,015,254 and Higher
SSM-20N5E 6,006,396 and Higher

Italicized information in green applies to customers outside the United States.

To modify former A boards so that they comply with EMC regulations, perform the following modification procedure.

PARTS REQUIRED

| Part No. | Description | Qty. |
|--------------|-------------------------------------|------|
| 1-419-909-11 | Choke Coil | 1 |
| 4-079-828-02 | Shield for Choke Coil | 1 |
| 4-050-077-01 | Screw, +PSW M4 x 8 | 2 |
| 4-079-827-01 | Coil Bracket | 1 |
| 7-685-872-01 | Screw, +BVTT 3 x 8 | 1 |
| 4-079-829-01 | Shield Sheet (For 20" monitor only) | 1 |

ORDERING INFORMATION

NOTE: To order upgrades or for regional service center and parts ordering information, refer to the following document, which lists all contact telephone numbers:

Technical Bulletin 001999000

MODIFICATION PROCEDURE

A Board

1. Remove L601 and install CN610 in its place.
2. Install a new choke coil as shown in Figure 1.

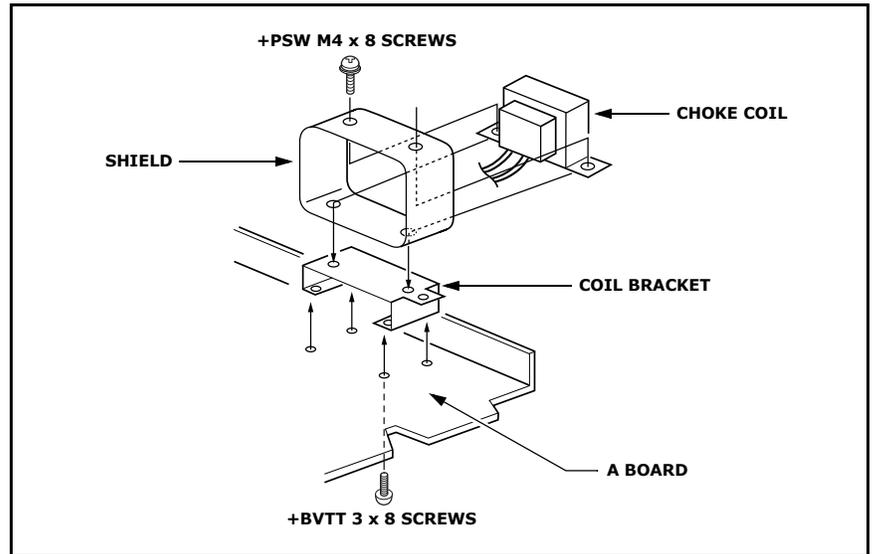


Figure 1

3. Route leads as shown in Figure 2.

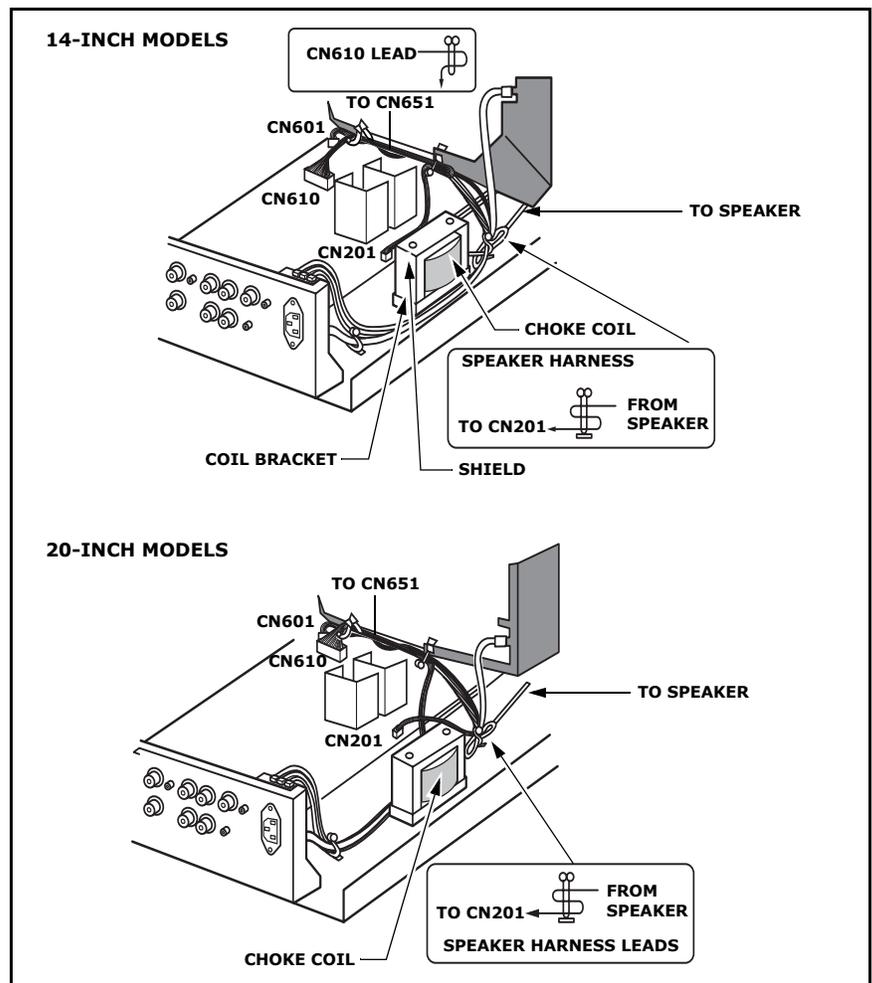


Figure 2

4. For 20-inch models only, affix a shield sheet to the bottom cabinet as shown in Figure 3.

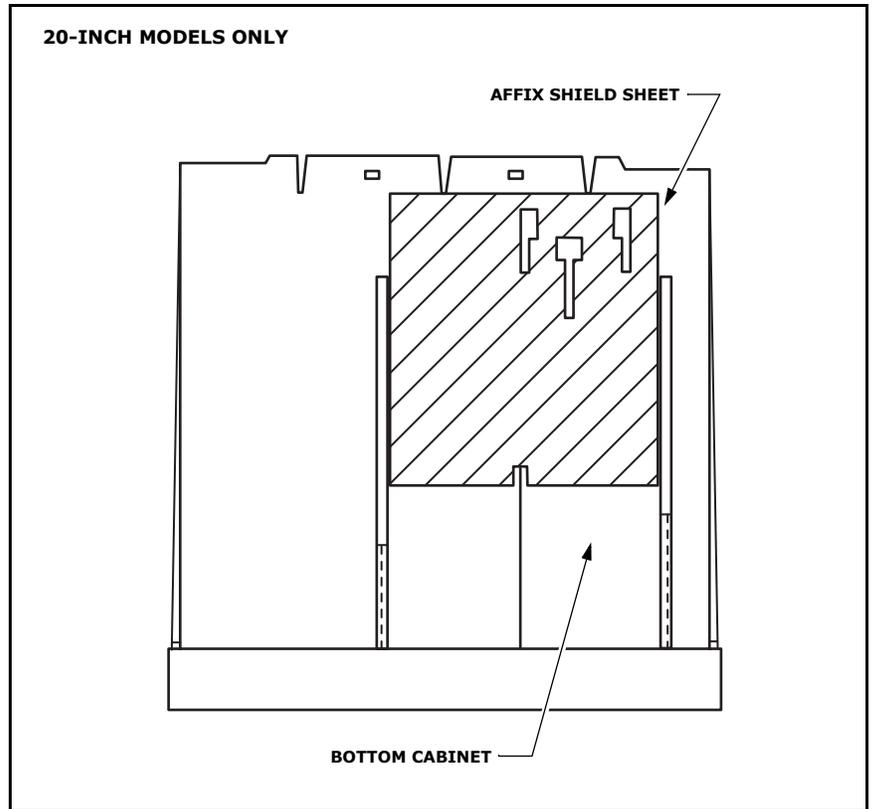


Figure 3