



Display

Video Products Technical Bulletin 30-2009-150

DATE: **September 14, 2009**SUBJECT: **PARTS REGISTRATION—BOARD BRACKETS**

MODEL: **PVM-14L3
PVM-14L4
PVM-14L5
PVM-20L4
PVM-20L5
PVM-D14L5A
PVM-D14L5D
PVM-D20L5A**

SERIAL NO: **ALL****DESCRIPTION**

The following brackets are available as service parts.
(See Figure 1 and Figure 2.)

Description	Part No.
Tightening band holder	4-086-477-02
D bracket	4-086-497-02
B bracket	4-086-498-01

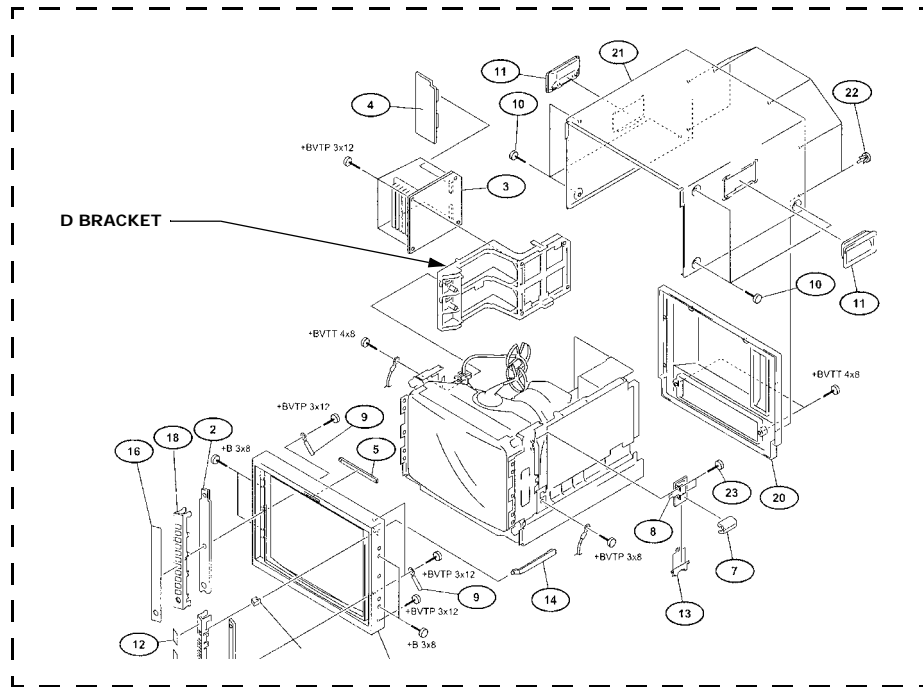
ORDERING INFORMATION

To order parts online, go to: www.sony.com/servicesplus. For service or parts ordering assistance, refer to the following document, which lists all contact telephone numbers:

Technical Bulletin 00-1999-000

6-2

14-INCH MONITORS
SECTION 6 SPARE PARTS
6-2. EXPLODED VIEWS
TOP COVER SECTION (14 INCH)



6-3

CHASSIS SECTION (14 INCH)

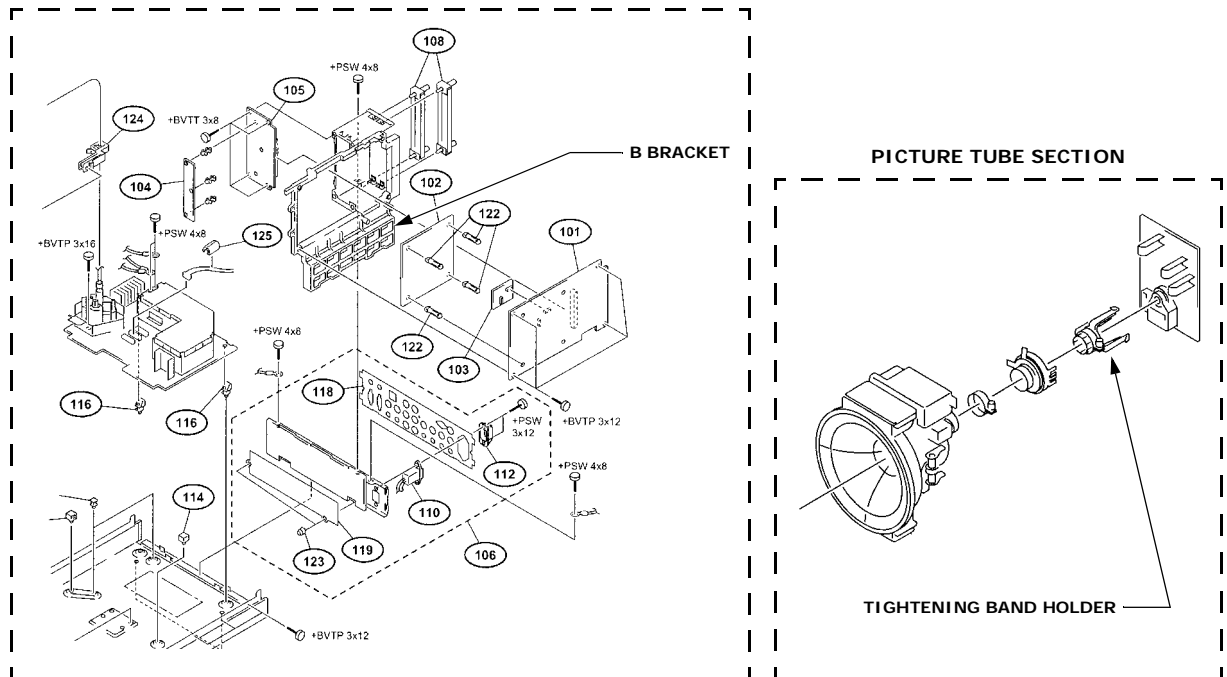


Figure 1

