



Video Products Technical Bulletin 30-2014-199

DATE: **October 6, 2014**

SUBJECT: **MANUAL CORRECTION—MOUNTING UNIT TO
VEHICLE**

MODEL: ***PVM-X300***
PVM-X300

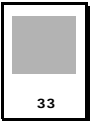
SERIAL NO: **ALL**

*Italicized information in green applies to
customers outside the United States.*

DESCRIPTION

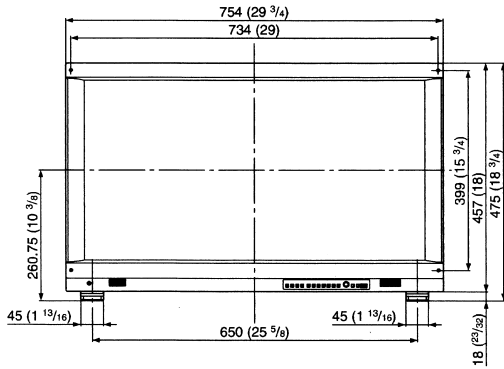
Add the description on mounting the unit to a vehicle as shown in Figure 1.

PVM-X300 Operating Instructions

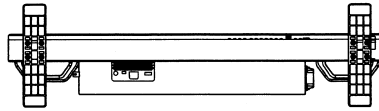


DIMENSIONS

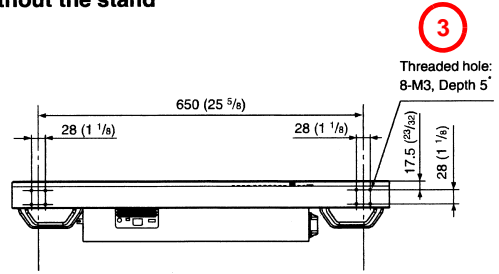
Front



Bottom



Without the stand



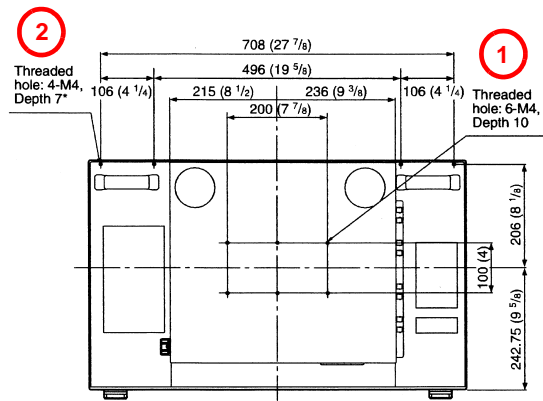
* for vehicle installation

unit: mm (inches)

Mass:

Approx. 17 kg (37 lb 8 oz)

Rear



When mounting the unit to a vehicle, use all the following screws as shown above:

- ① M4 screws (6 pcs)
- ② M4 screws (4 pcs)
- ③ M3 screws (8 pcs)

ADD ↑

Figure 1