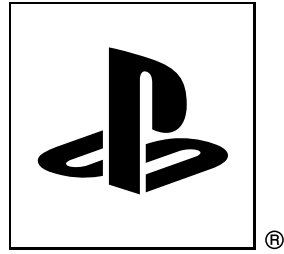


CECHA00, A01



SM-PS3-0013E-02

PLAYSTATION® 3 60GB model
SERVICE MANUAL 3rd edition Level 3

PLAYSTATION® 3



Sony Computer Entertainment Inc.
Customer Service Department
Published in Japan © 2007. 05 9-927-120-02

SAFETY CHECK-OUT

After correcting the original service problem, perform the following safety checks before releasing the set to the customer:

1. Check the area of your repair for unsoldered or poorly soldered connections. Check the entire board surface for solder splashes and bridges.
2. Check the interboard wiring to ensure that no wires are “pinched” or contact high-wattage resistors.
3. Look for unauthorized replacement parts, particularly transistors, that were installed during a previous repair. Point them out to the customer and recommend their replacement.
4. Look for parts which, though functioning, show obvious signs of deterioration. Point them out to the customer and recommend their replacement.
5. Check the power cable for cracks and abrasion. Recommend the replacement of any such power cable to the customer.
6. Check the B+ voltage to see it is at the values specified.
7. Check the metal trim, “metallized” knobs, screws, and all other exposed metal parts for AC leakage. Check leakage as described below.

CAUTION:

The use of optical instrument with this product will increase eye hazard.

CAUTION

Use of controls or adjustments or performance of procedures other than those specified herein may result in hazardous radiation exposure.

WARNING!!

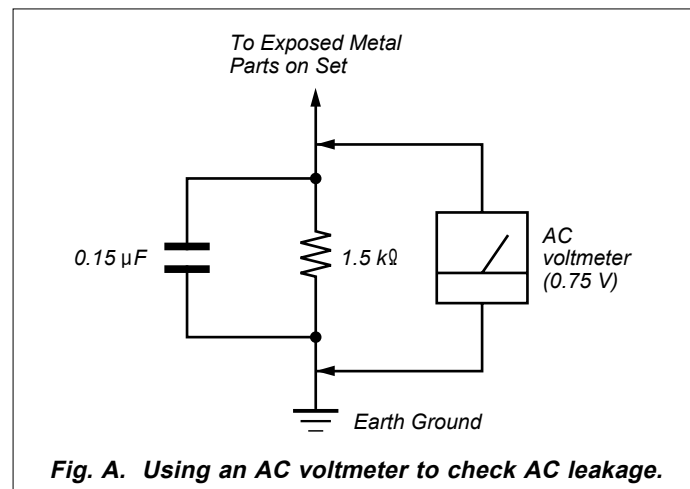
WHEN SERVICING, DO NOT APPROACH THE LASER EXIT WITH THE EYE TOO CLOSELY. IN CASE IT IS NECESSARY TO CONFIRM LASER BEAM EMISSION, BE SURE TO OBSERVE FROM A DISTANCE OF MORE THAN 25 cm FROM THE SURFACE OF THE OBJECTIVE LENS ON THE OPTICAL PICK-UP BLOCK.

LEAKAGE TEST

The AC leakage from any exposed metal part to earth ground and from all exposed metal parts to any exposed metal part having a return to chassis, must not exceed 0.5 mA (500 microamperes.).

Leakage current can be measured by any one of three methods.

1. A commercial leakage tester, such as the Simpson 229 or RCA WT-540A. Follow the manufacturers’ instructions to use these instruments.
2. A battery-operated AC milliammeter. The Data Precision 245 digital multimeter is suitable for this job.
3. Measuring the voltage drop across a resistor by means of a VOM or battery-operated AC voltmeter. The “limit” indication is 0.75 V, so analog meters must have an accurate low-voltage scale. The Simpson 250 and Sanwa SH-63Trd are examples of a passive VOM that is suitable. Nearly all battery operated digital multimeters that have a 2 V AC range are suitable. (See Fig. A)



SAFETY-RELATED COMPONENT WARNING!!

COMPONENTS IDENTIFIED BY MARK \triangle OR DOTTED LINE WITH MARK \triangle ON THE SCHEMATIC DIAGRAMS AND IN THE PARTS LIST ARE CRITICAL TO SAFE OPERATION. REPLACE THESE COMPONENTS WITH SONY PARTS WHOSE PART NUMBERS APPEAR AS SHOWN IN THIS MANUAL OR IN SUPPLEMENTS PUBLISHED BY SONY.

ATTENTION AU COMPOSANT AYANT RAPPORT À LA SÉCURITÉ!!

LES COMPOSANTS IDENTIFIÉS PAR UNE MARQUE \triangle SUR LES DIAGRAMMES SCHÉMATIQUES ET LA LISTE DES PIÈCES SONT CRITIQUES POUR LA SÉCURITÉ DE FONCTIONNEMENT. NE REMPLACER CES COMPOSANTS QUE PAR DES PIÈCES SONY DONT LES NUMÉROS SONT DONNÉS DANS CE MANUEL OU DANS LES SUPPLÉMENTS PUBLIÉS PAR SONY.

SPECIAL COMPONENT NOTICE

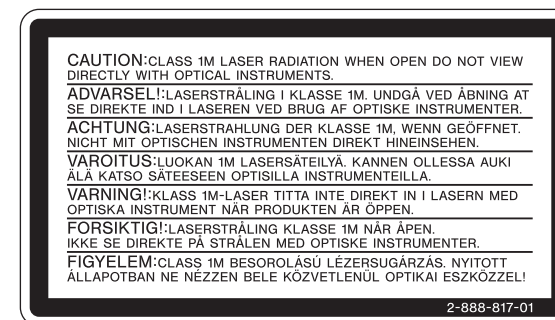
The components identified by mark \triangle contain confidential information.

Strictly follow the instructions whenever the components are repaired and/or replaced.

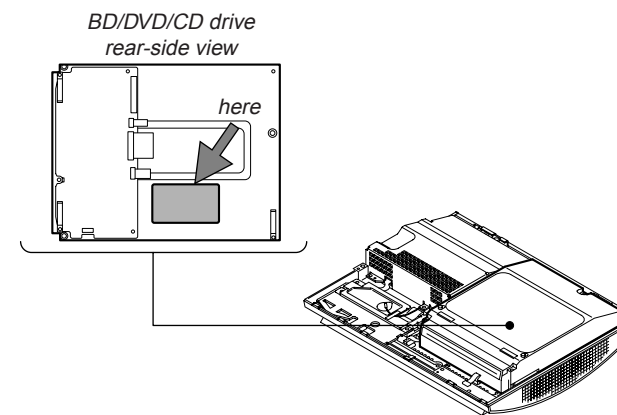
CAUTION

Ensure that this product is disconnected from the power plug before the laser protective housing is removed.

CLASS 1M LASER RADIATION WHEN OPEN DO NOT VIEW DIRECTLY WITH OPTICAL INSTRUMENTS.



This label is located on the BD/DVD/CD Drive laser protective housing inside the enclosure.



CAUTION

Risk of Explosion if Battery is replaced by an Incorrect Type. Dispose of Used Batteries According to the Instructions.

Lithium Batteries

If an equipment is provided with a replaceable lithium battery, the following applies:

- if the battery is placed in an OPERATOR ACCESS AREA, there shall be a warning close to the battery or in both the operating and the service instructions:
- if the battery is placed elsewhere in the equipment, there shall be a warning close to the battery or in the service instructions.

TABLE OF CONTENTS

1. CIRCUIT DIAGRAM

1-1. COK-001 Board (1/24) 1-1
 1-2. COK-001 Board (2/24) 1-2
 1-3. COK-001 Board (3/24) 1-3
 1-4. COK-001 Board (4/24) 1-4
 1-5. COK-001 Board (5/24) 1-5
 1-6. COK-001 Board (6/24) 1-6
 1-7. COK-001 Board (7/24) 1-7
 1-8. COK-001 Board (8/24) 1-8
 1-9. COK-001 Board (9/24) 1-9
 1-10. COK-001 Board (10/24) 1-10
 1-11. COK-001 Board (11/24) 1-11
 1-12. COK-001 Board (12/24) 1-12
 1-13. COK-001 Board (13/24) 1-13
 1-14. COK-001 Board (14/24) 1-14
 1-15. COK-001 Board (15/24) 1-15
 1-16. COK-001 Board (16/24) 1-16
 1-17. COK-001 Board (17/24) 1-17
 1-18. COK-001 Board (18/24) 1-18
 1-19. COK-001 Board (19/24) 1-19
 1-20. COK-001 Board (20/24) 1-20
 1-21. COK-001 Board (21/24) 1-21
 1-22. COK-001 Board (22/24) 1-22
 1-23. COK-001 Board (23/24) 1-23
 1-24. COK-001 Board (24/24) 1-24

2. PRINTED WIRING BOARDS

2-1. COK-001 Board (Side A) 2-1
 2-2. COK-001 Board (Side B) 2-2

3. EXPLODED VIEWS

3-1. Upper Panel Section 3-1
 3-2. Upper Cabinet Section 3-2
 3-3. Boards Section 3-3
 3-4. HDD Section 3-4
 3-5. Frame Section 3-5
 3-6. Controller Section 3-6
 3-7. Loading Complete Assy Section 3-7
 3-8. Loading Block Assy Section 3-8
 3-9. Base Frame Complete Assy Section 3-9
 3-10. Top Frame Complete Assy Section 3-10
 3-11. Front Arm Assy Section 3-11
 3-12. Optical Pick-up Section 3-12
 3-13. Accessories & Packing Materials 3-13

4. ELECTRICAL PARTS LIST

COK-001 Board 4-1
 COK-001 Board 4-2

**SECTION 1
CIRCUIT DIAGRAM**

Note on Schematic Diagram:

- All capacitors are in μF unless otherwise noted. pF: $\mu\mu\text{F}$
50 WV or less are not indicated except for electrolytics
and tantalums.
- All resistors are in Ω and $1/16\text{W}$ or less unless otherwise
specified.
- % : indicates tolerance.

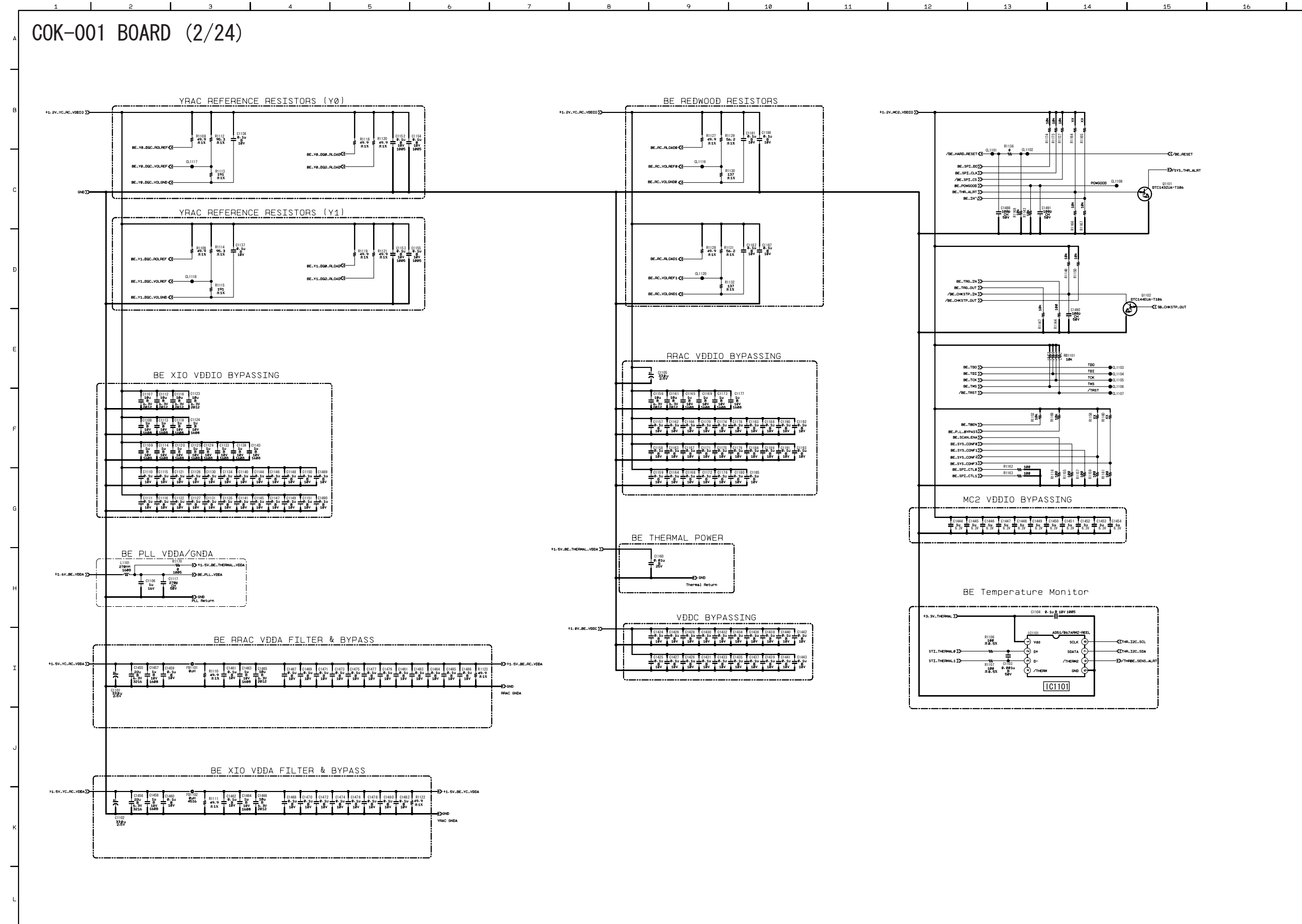
Note:

The components identi-
fied by mark \triangle or dotted
line with mark \triangle are criti-
cal for safety.
Replace only with part
number specified.

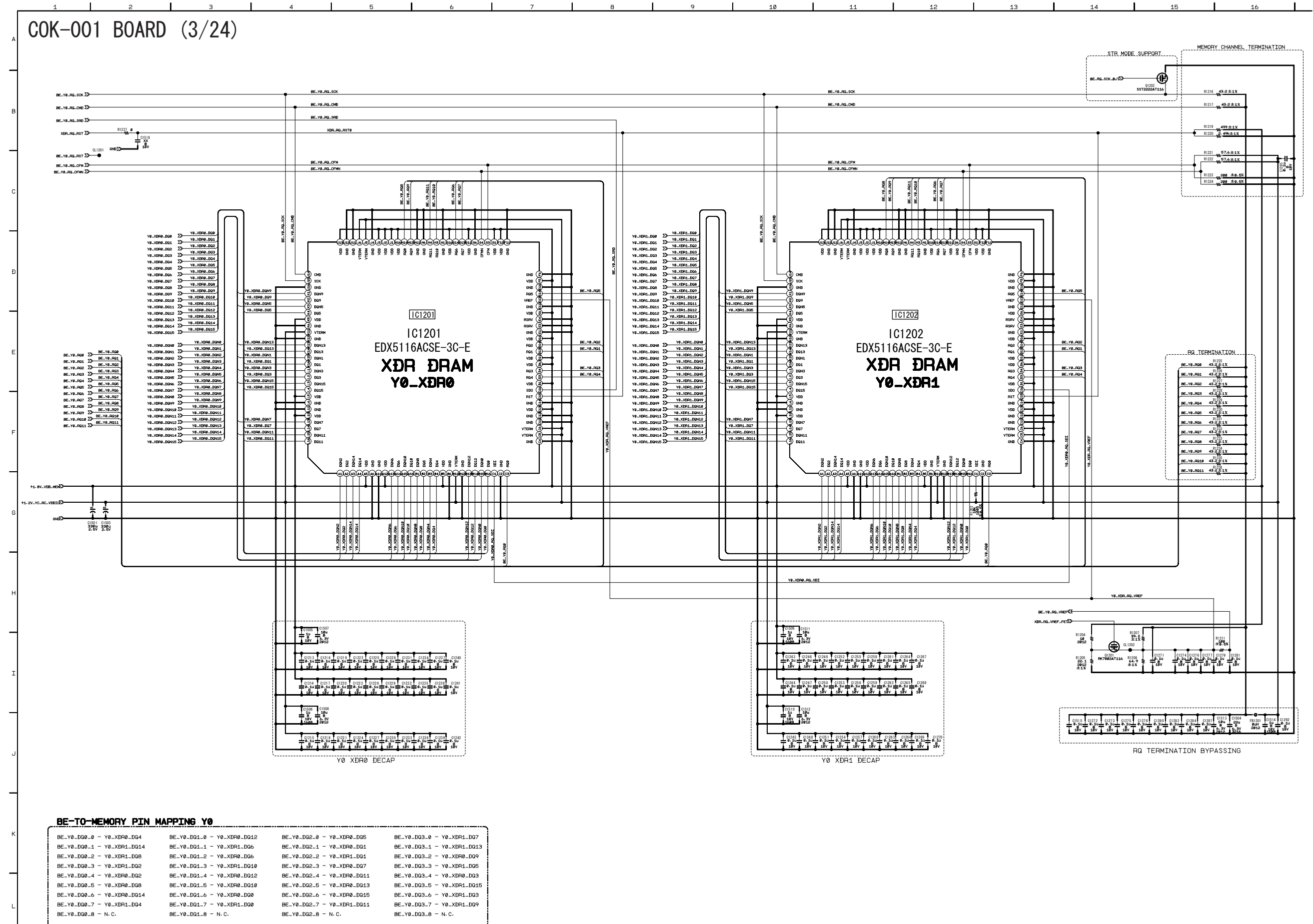
Note:

Les composants identifiés
par une marque \triangle sont cri-
tiques pour la sécurité.
Ne les remplacer que par
une pièce portant le
numéro spécifié.

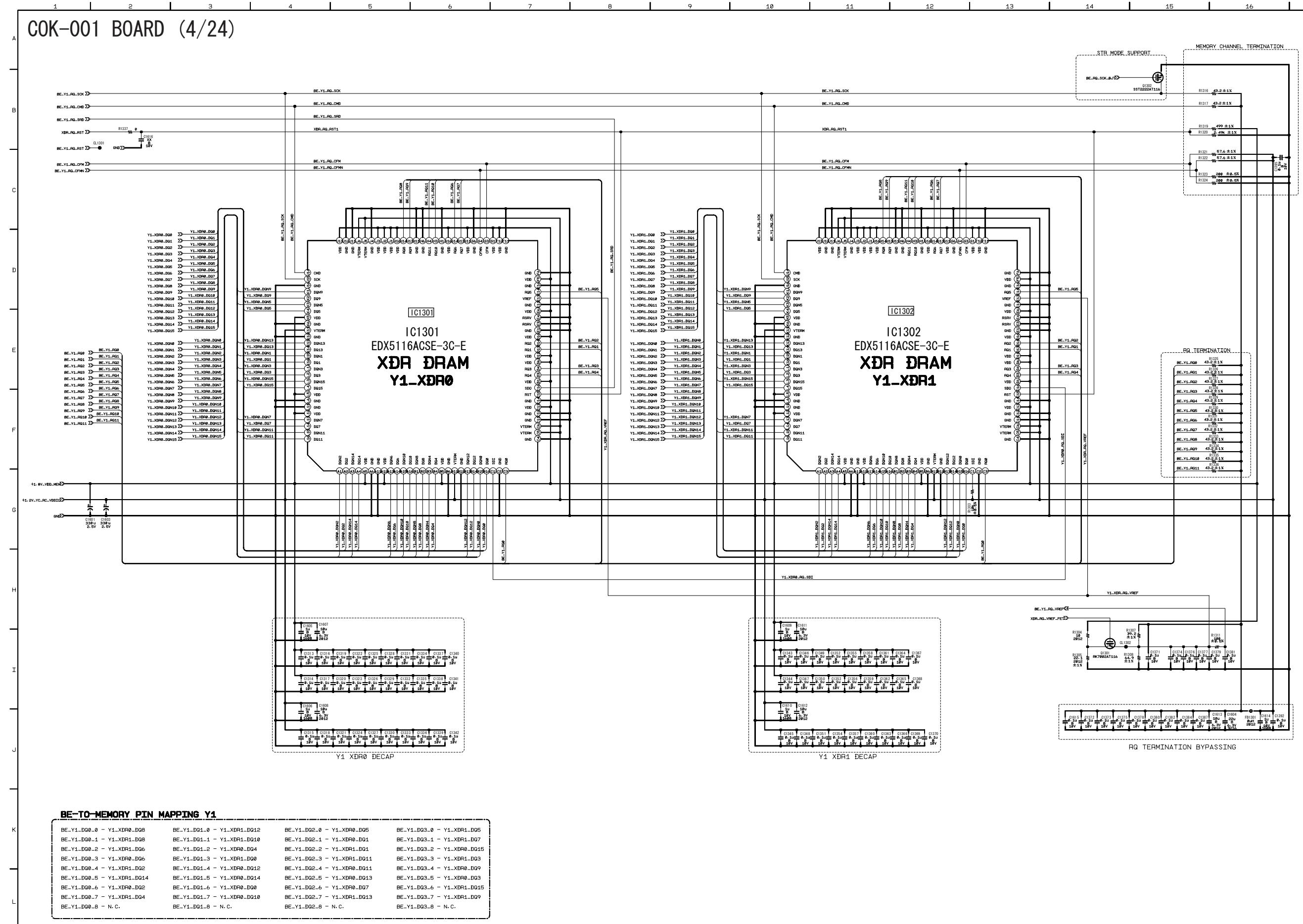
1-2. COK-001 BOARD (2/24)



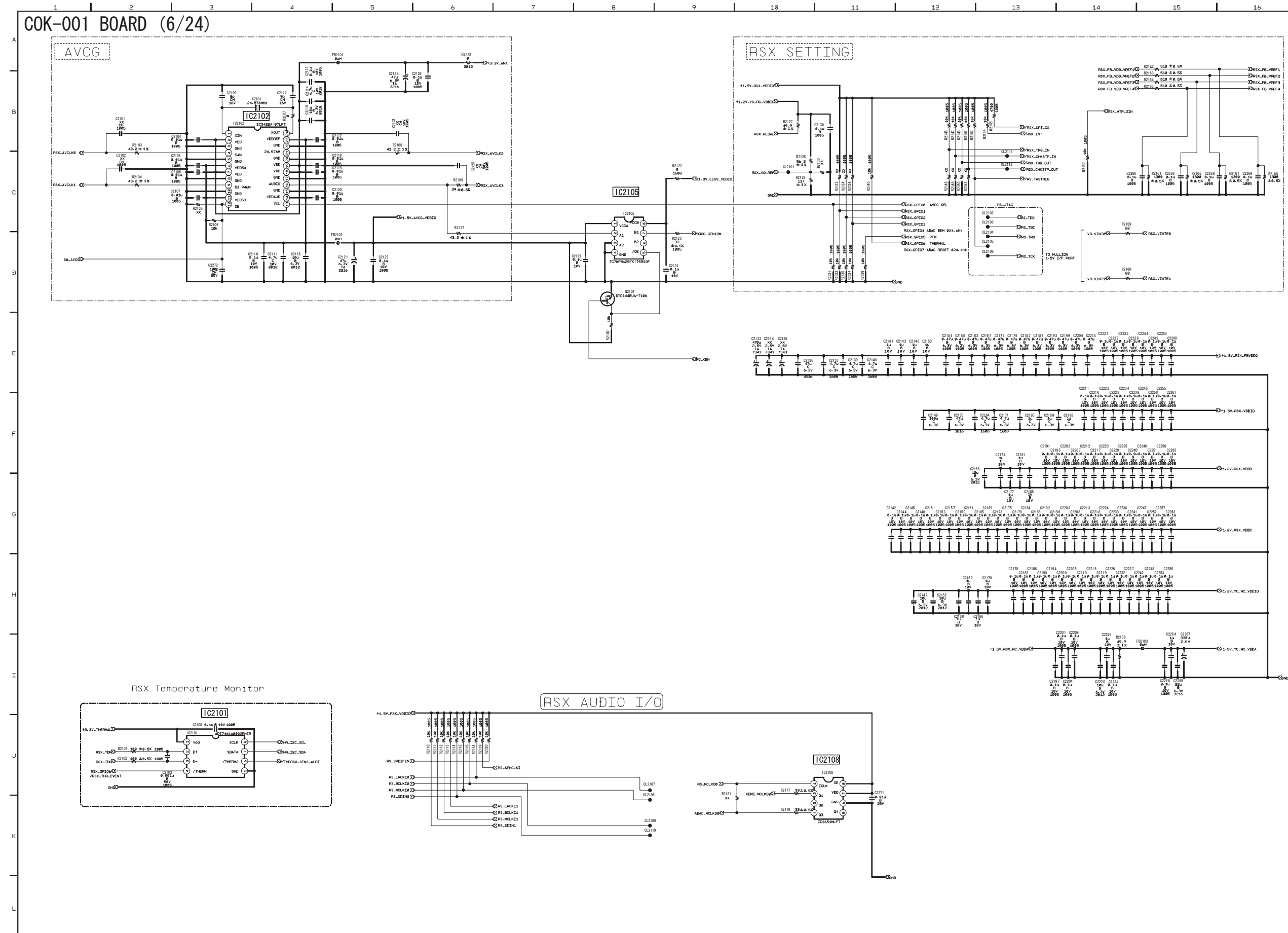
1-3. COK-001 BOARD (3/24)



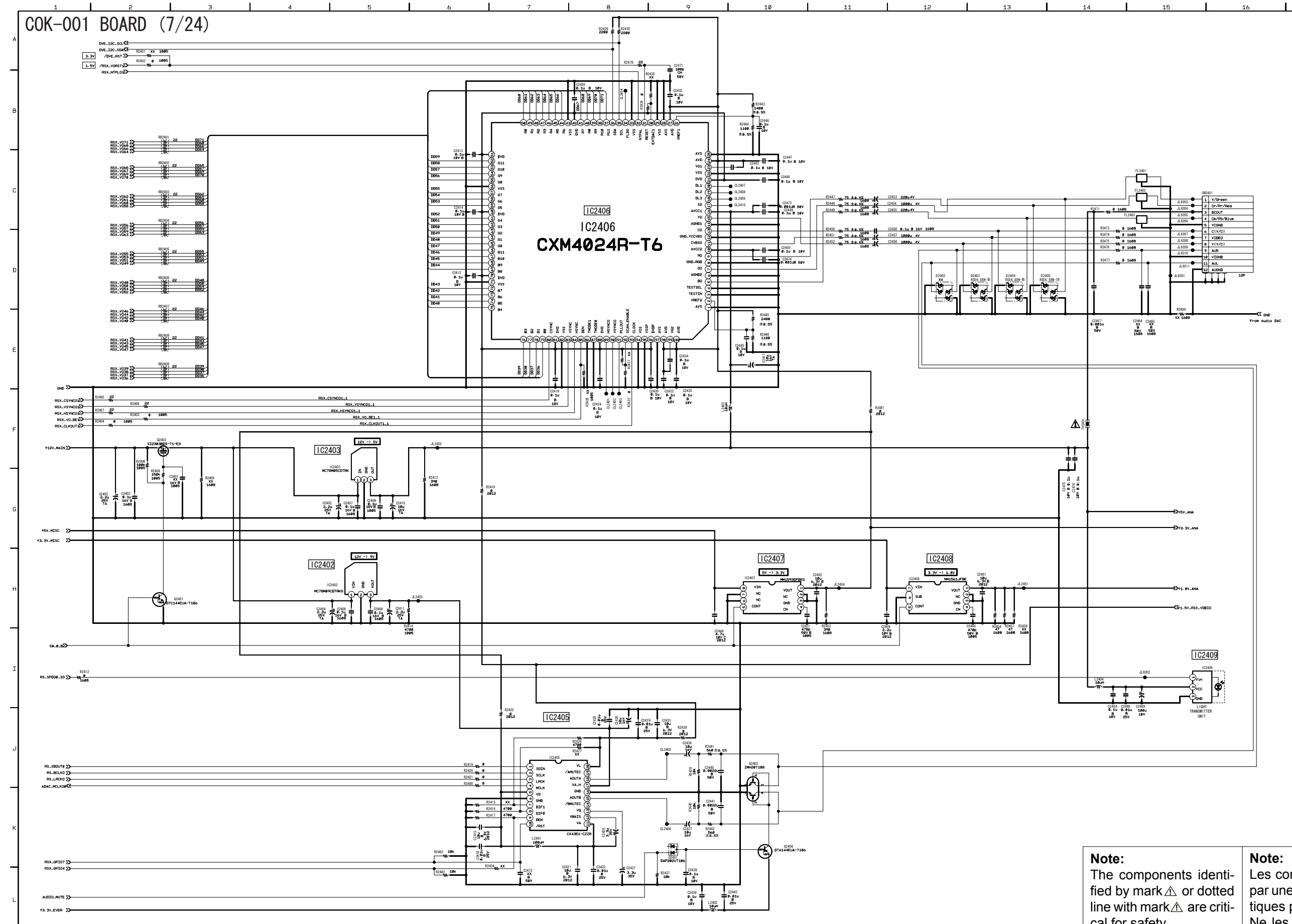
1-4. COK-001 BOARD (4/24)



1-6. COK-001 BOARD (6/24)



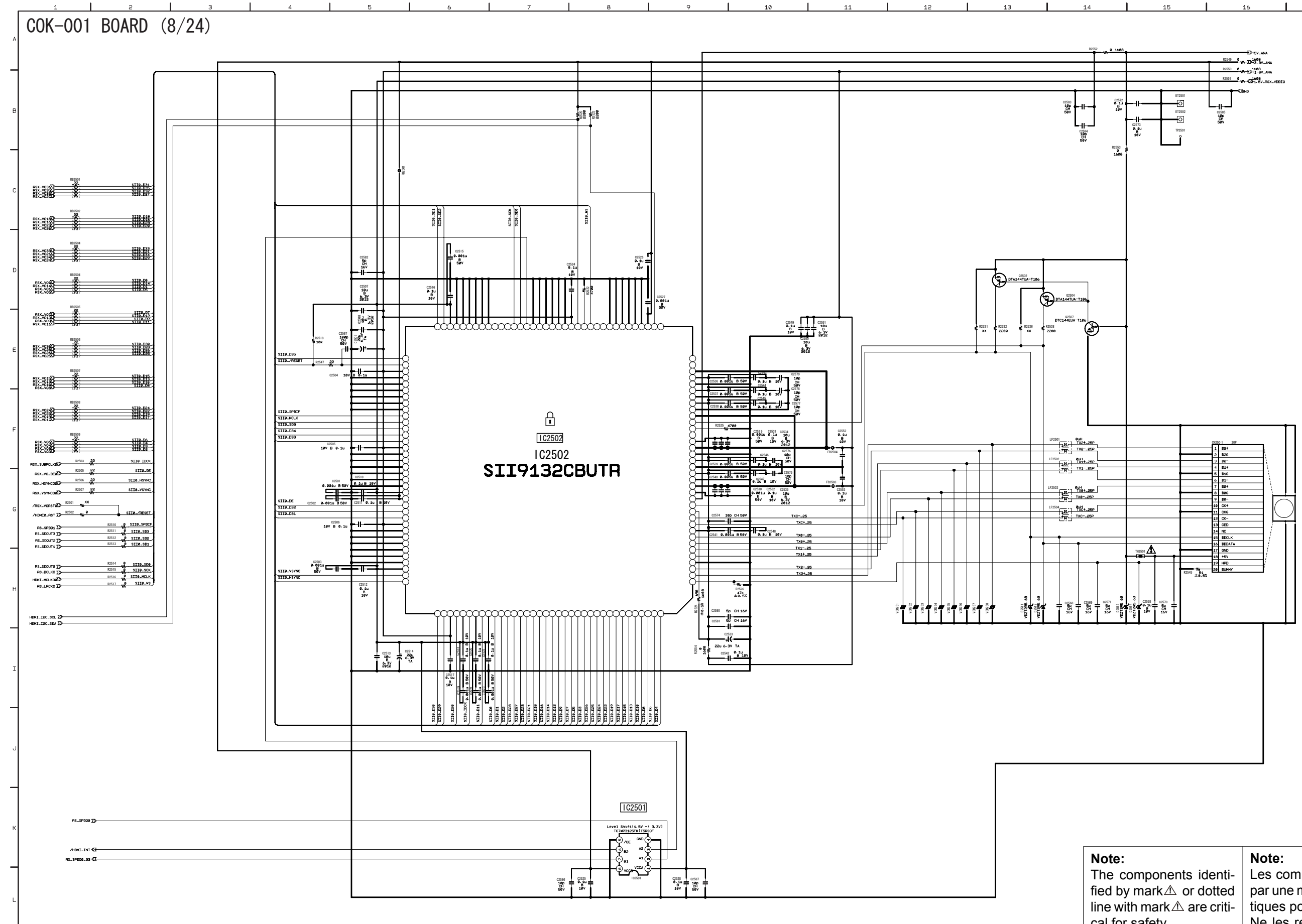
1-7. COK-001 BOARD (7/24)



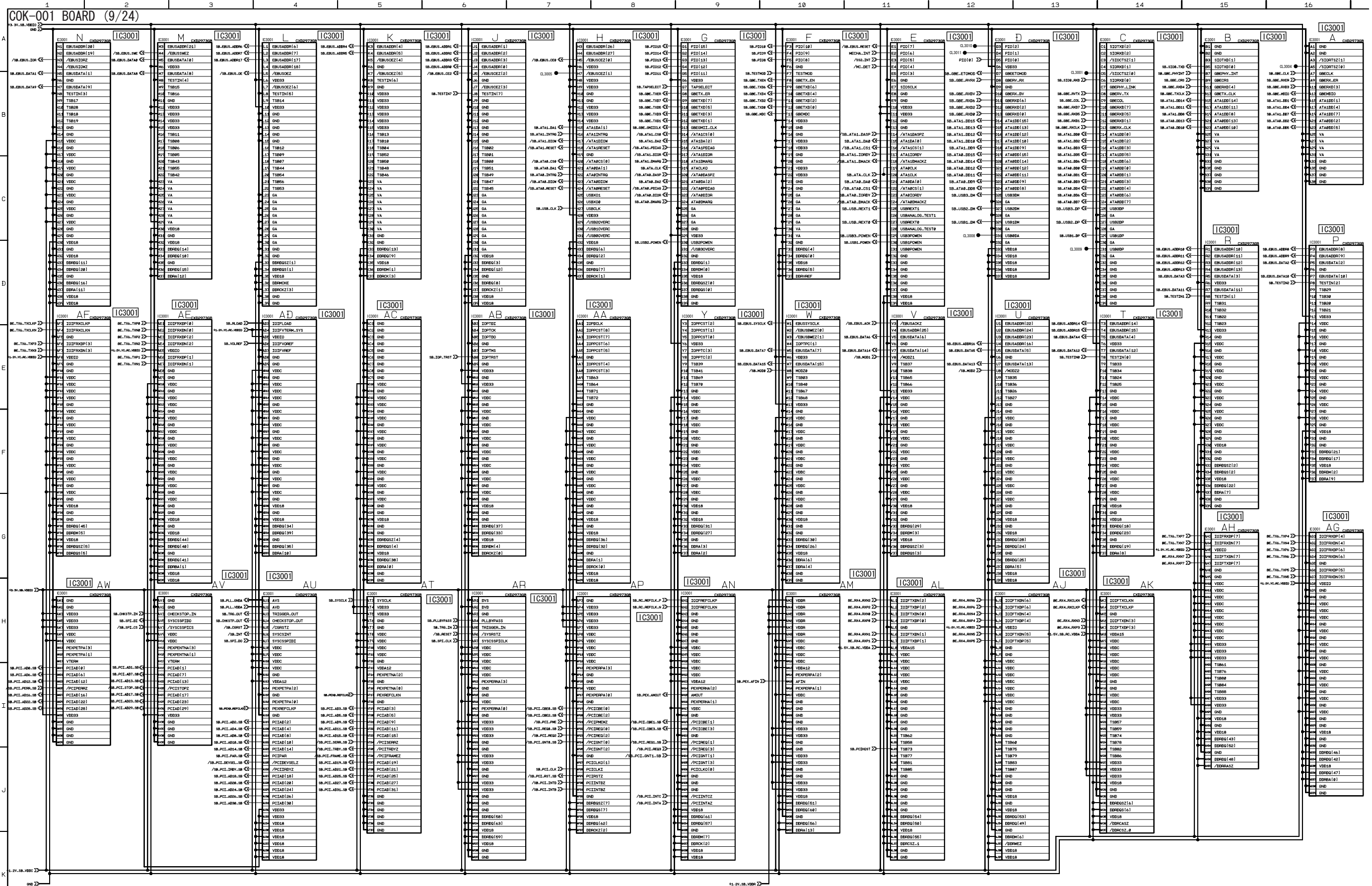
Note:
The components identified by mark Δ or dotted line with mark Δ are critical for safety. Replace only with part number specified.

Note:
Les composants identifiés par une marque Δ sont critiques pour la sécurité. Ne les remplacer que par une pièce portant le numéro spécifié.

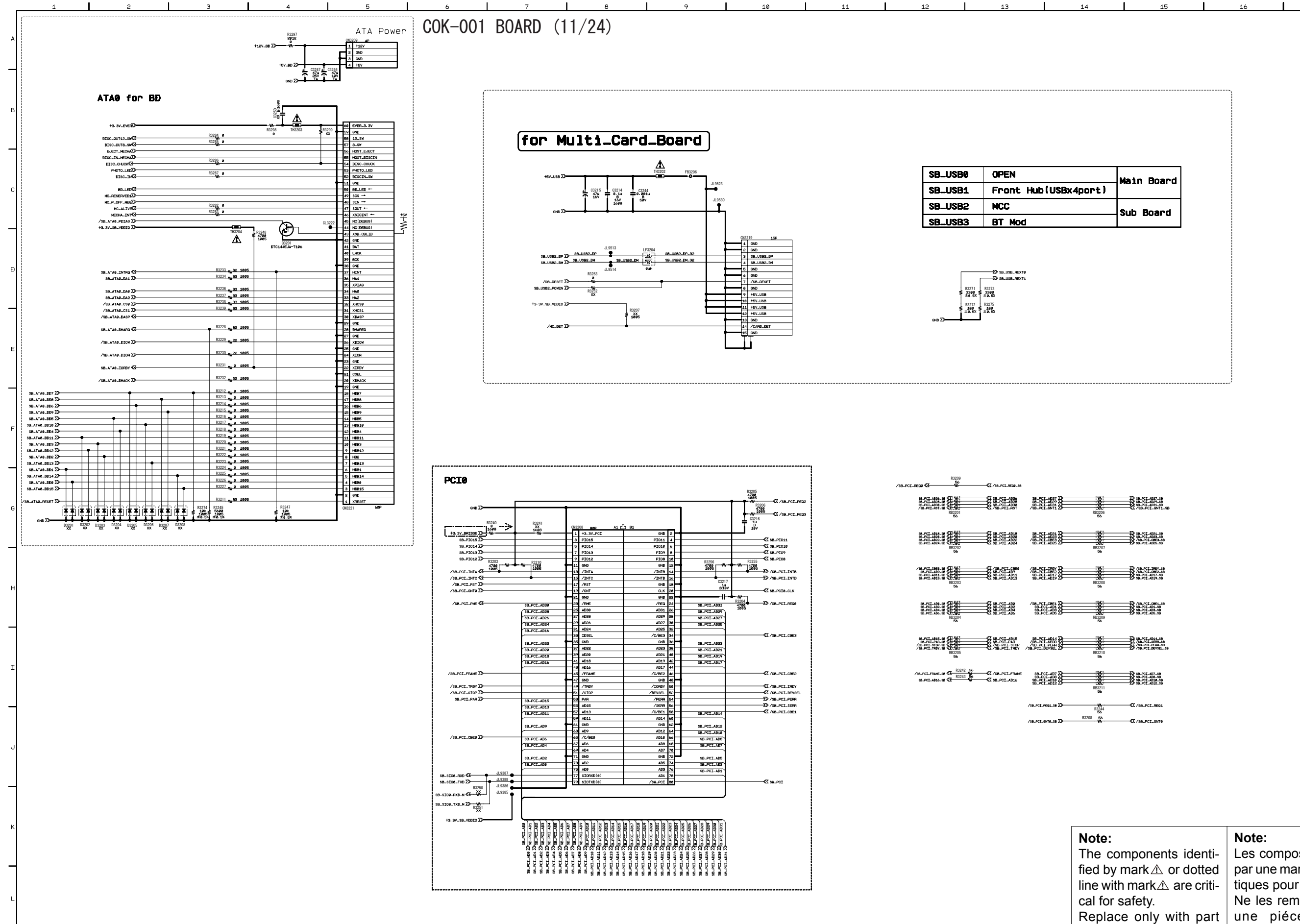
1-8. COK-001 BOARD (8/24)



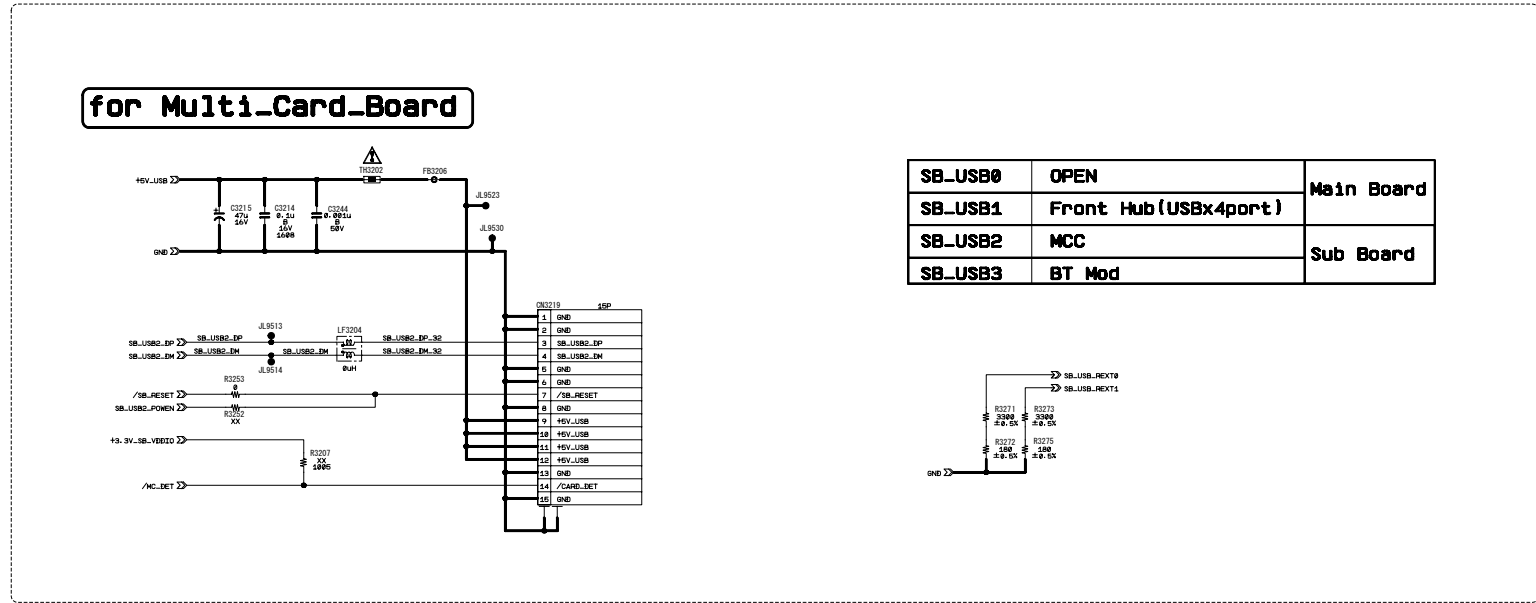
1-9. COK-001 BOARD (9/24)



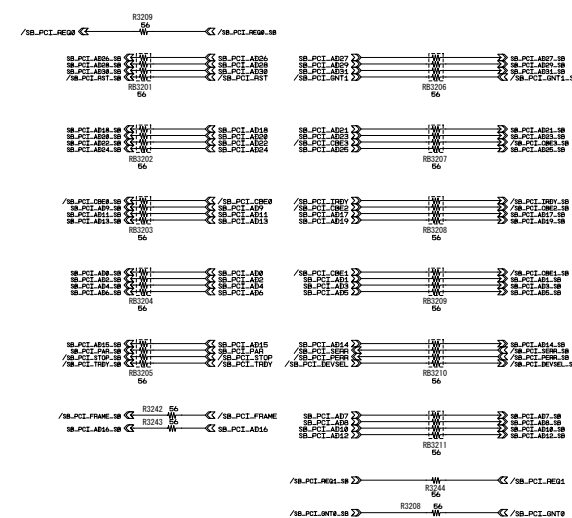
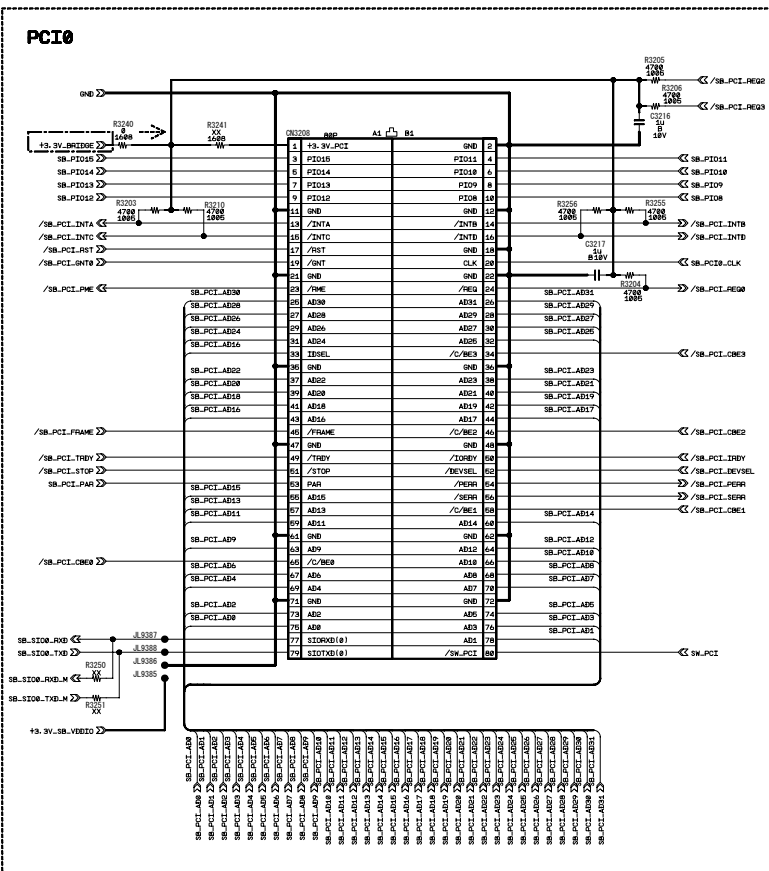
1-11. COK-001 BOARD (11/24)



COK-001 BOARD (11/24)



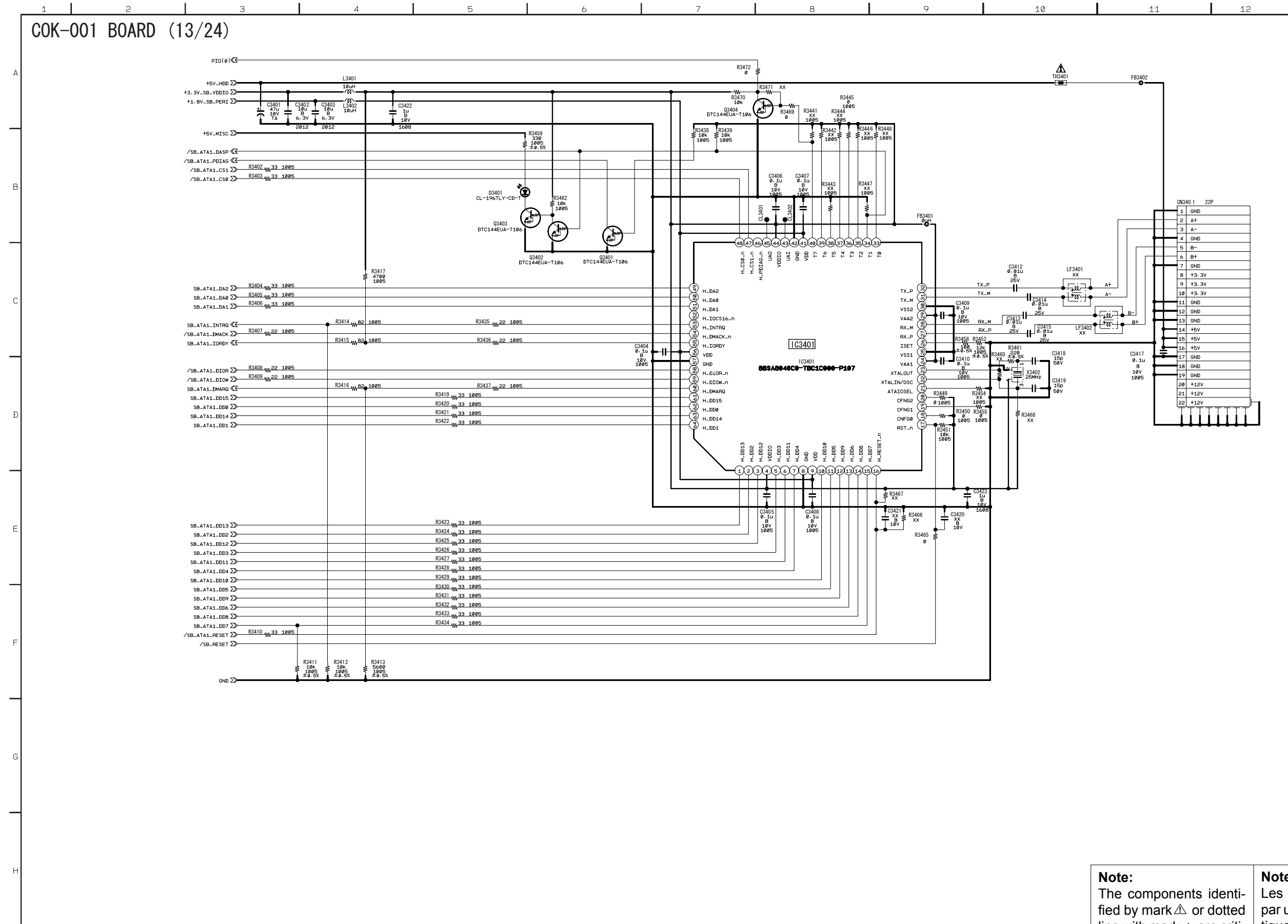
SB_USB0	OPEN	Main Board
SB_USB1	Front Hub (USBx4port)	
SB_USB2	MCC	Sub Board
SB_USB3	BT Mod	



Note:
The components identified by mark Δ or dotted line with mark Δ are critical for safety. Replace only with part number specified.

Note:
Les composants identifiés par une marque Δ sont critiques pour la sécurité. Ne les remplacer que par une pièce portant le numéro spécifié.

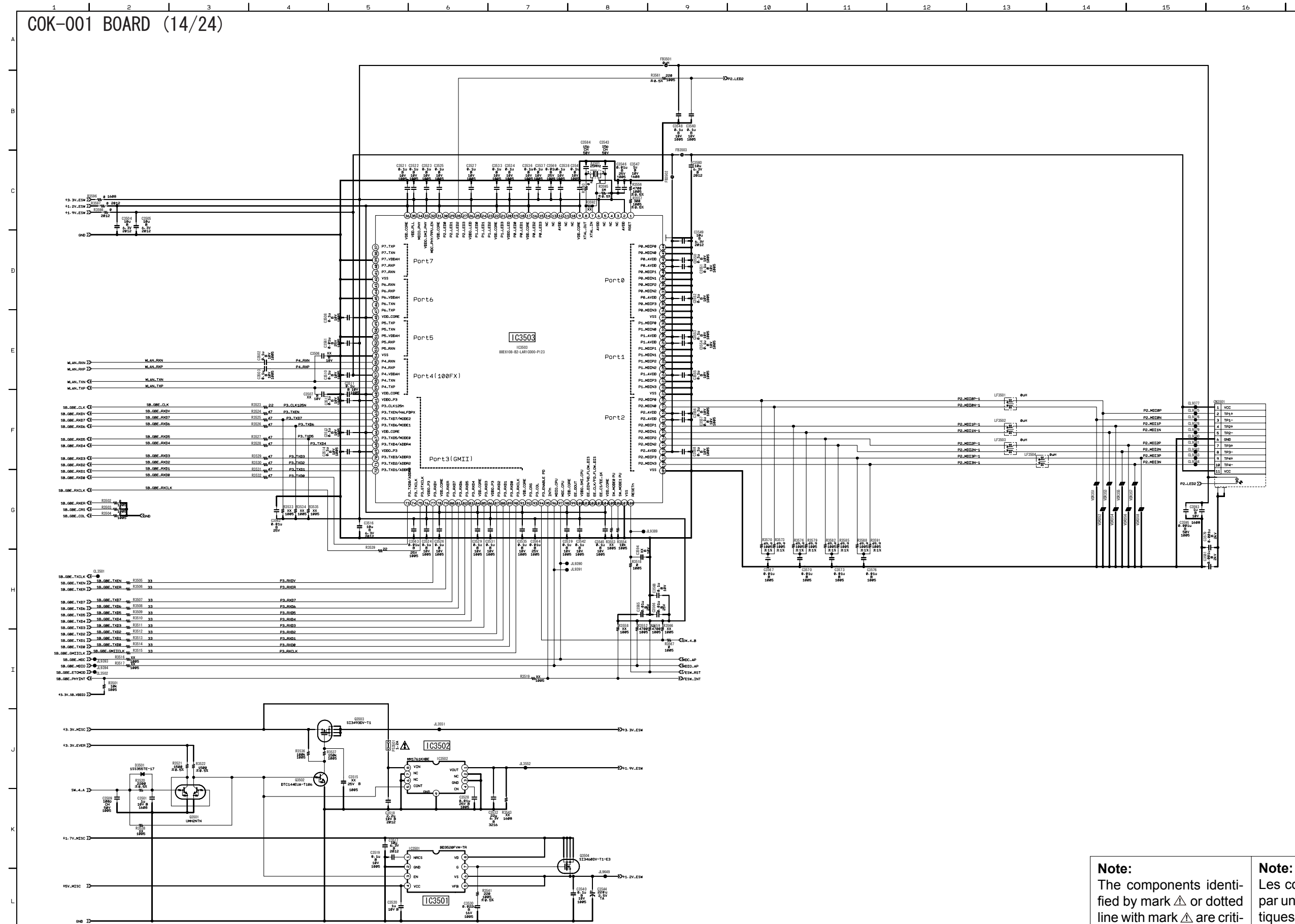
1-13. COK-001 BOARD (13/24)



Note:
The components identified by mark \triangle or dotted line with mark \triangle are critical for safety. Replace only with part number specified.

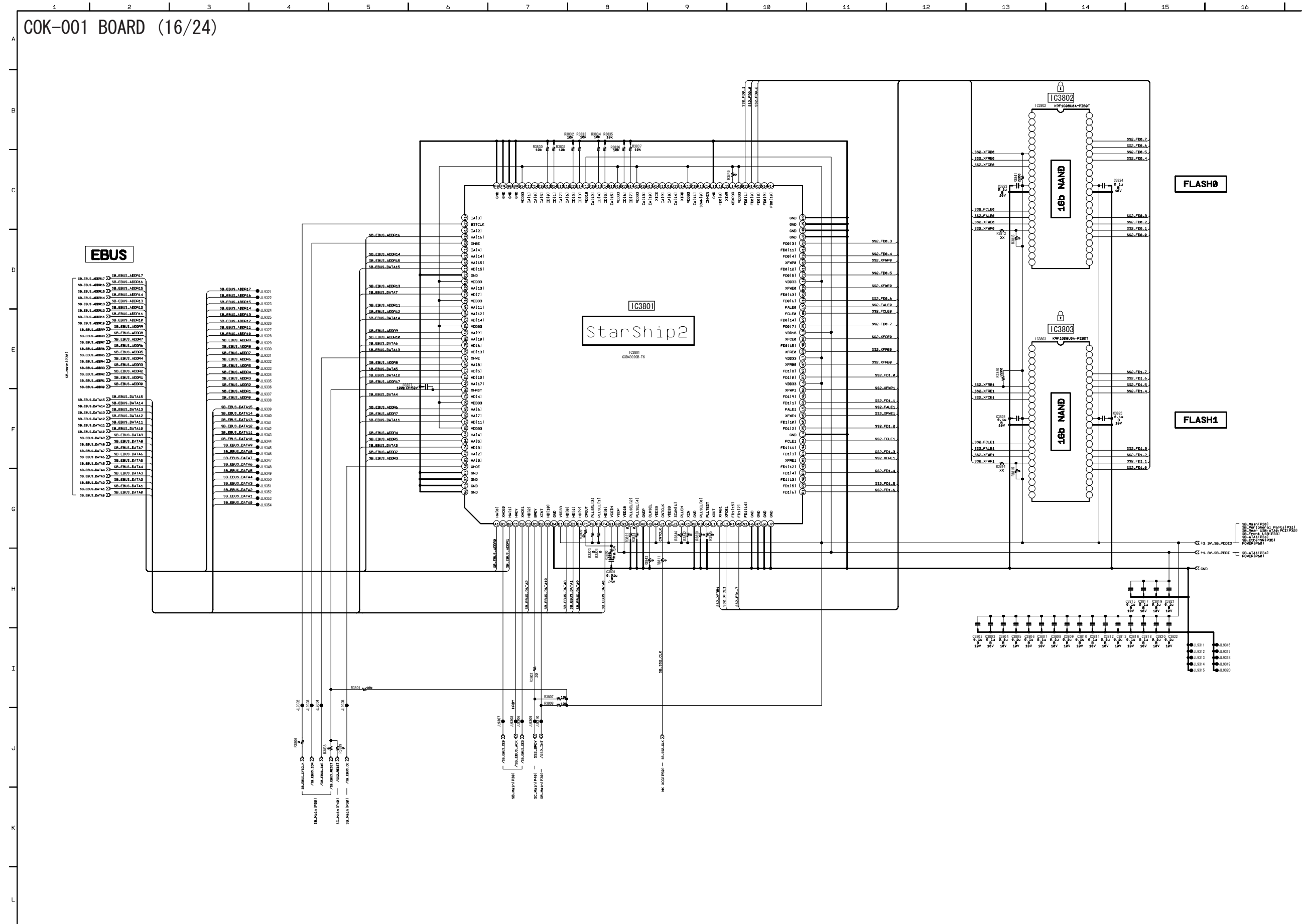
Note:
Les composants identifiés par une marque \triangle sont critiques pour la sécurité. Ne les remplacer que par une pièce portant le numéro spécifié.

1-14. COK-001 BOARD (14/24)

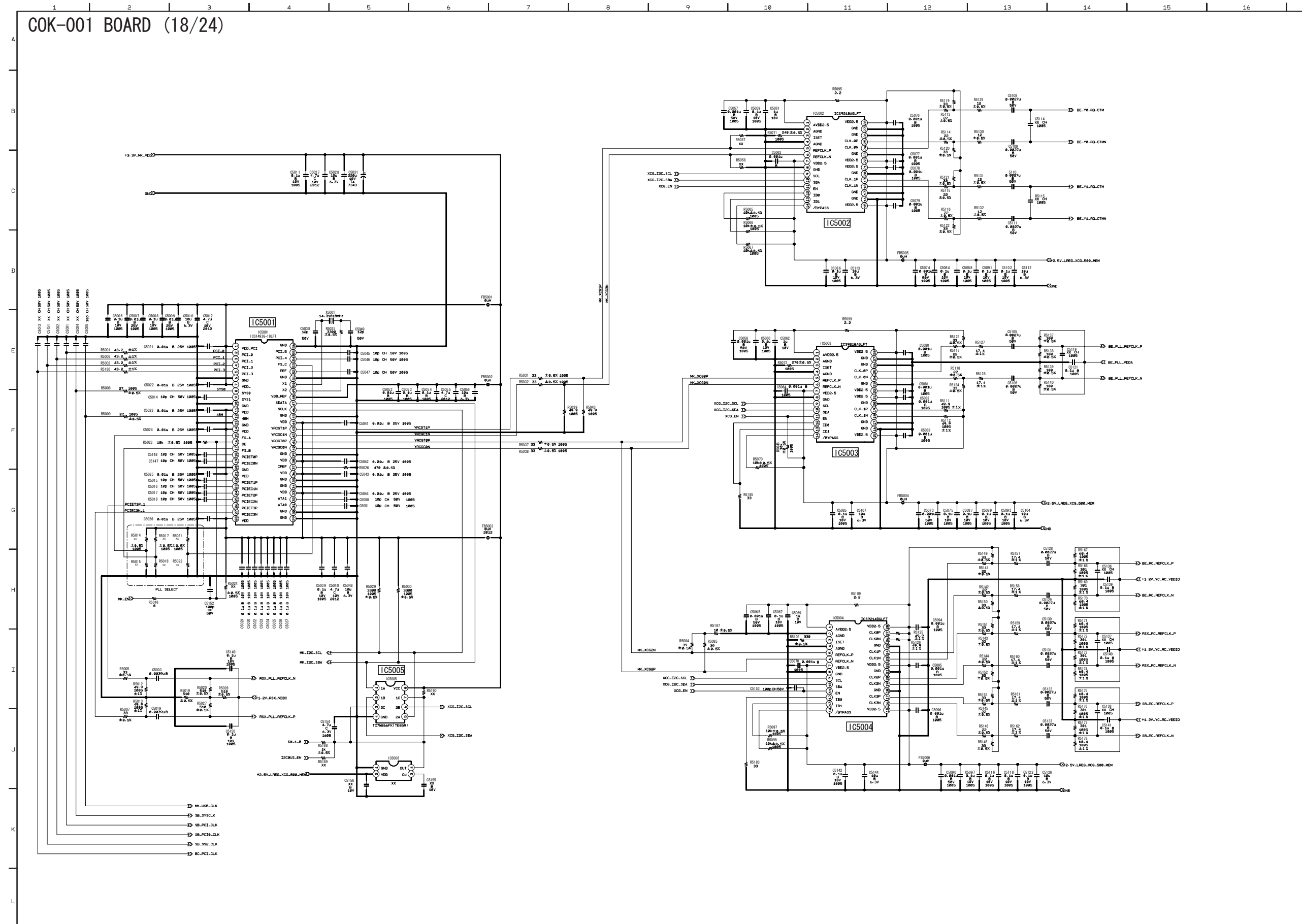


<p>Note: The components identified by mark Δ or dotted line with mark Δ are critical for safety. Replace only with part number specified.</p>	<p>Note: Les composants identifiés par une marque Δ sont critiques pour la sécurité. Ne les remplacer que par une pièce portant le numéro spécifié.</p>
--	--

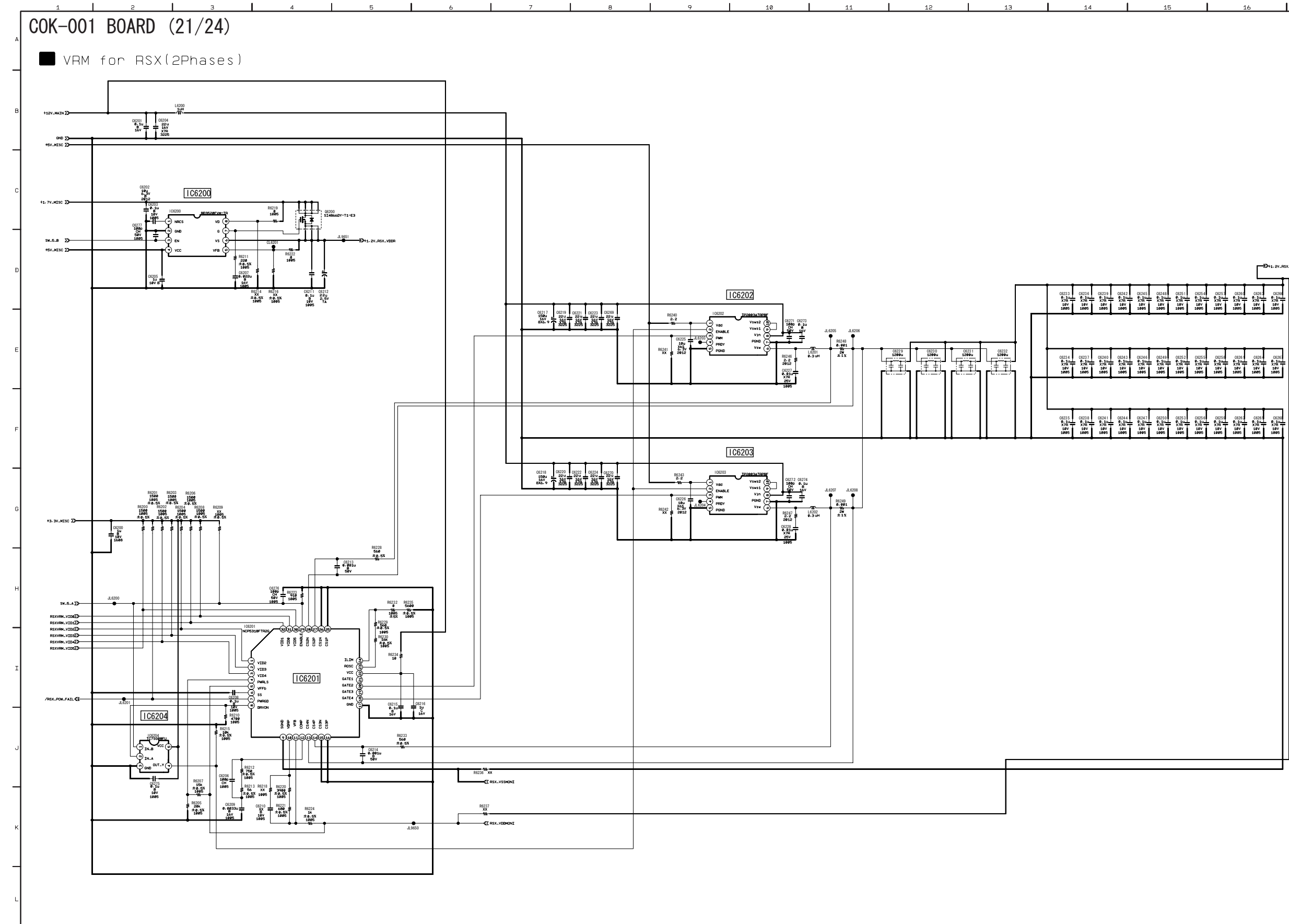
1-16. COK-001 BOARD (16/24)



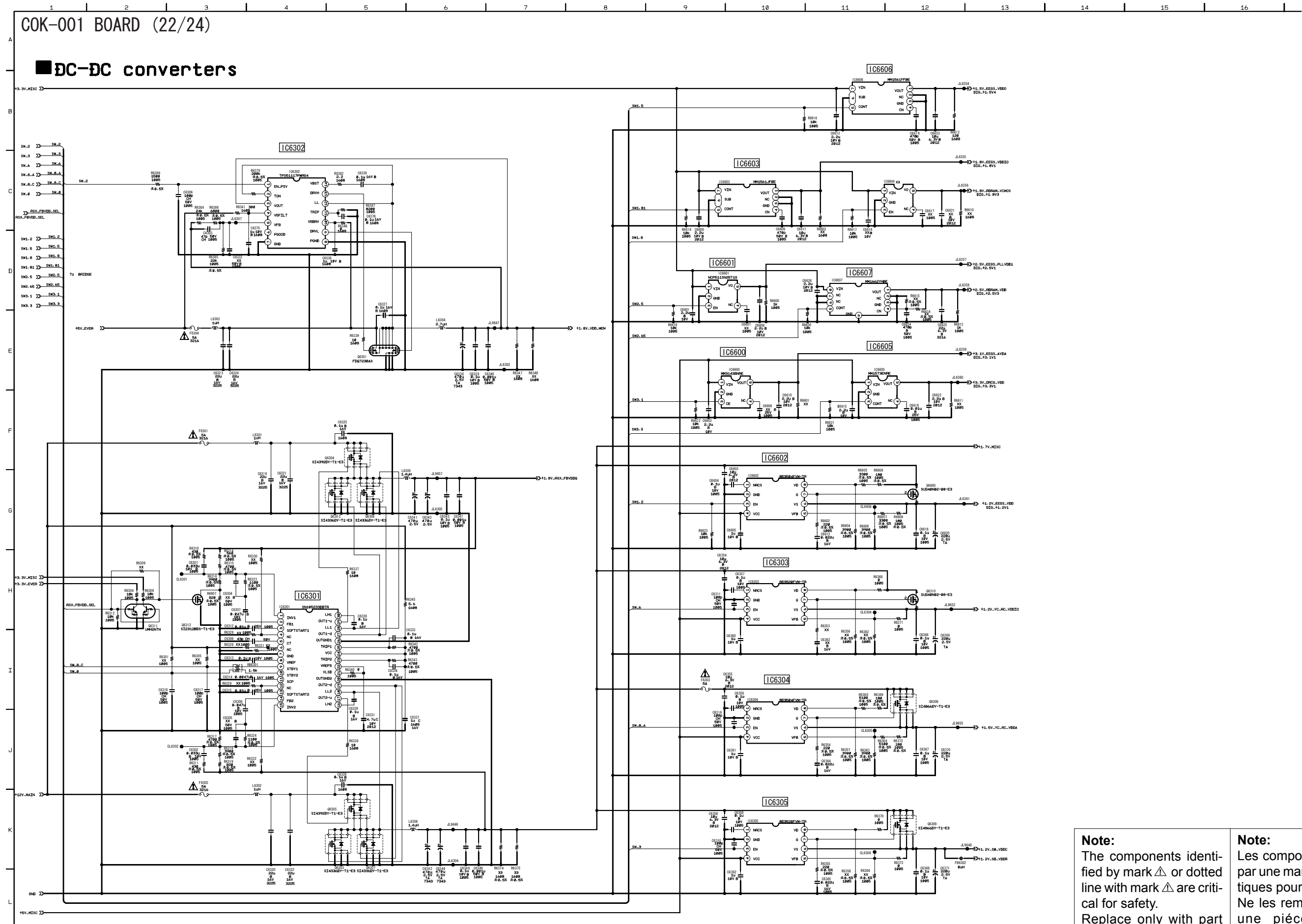
1-18. COK-001 BOARD (18/24)



1-21. COK-001 BOARD (21/24)



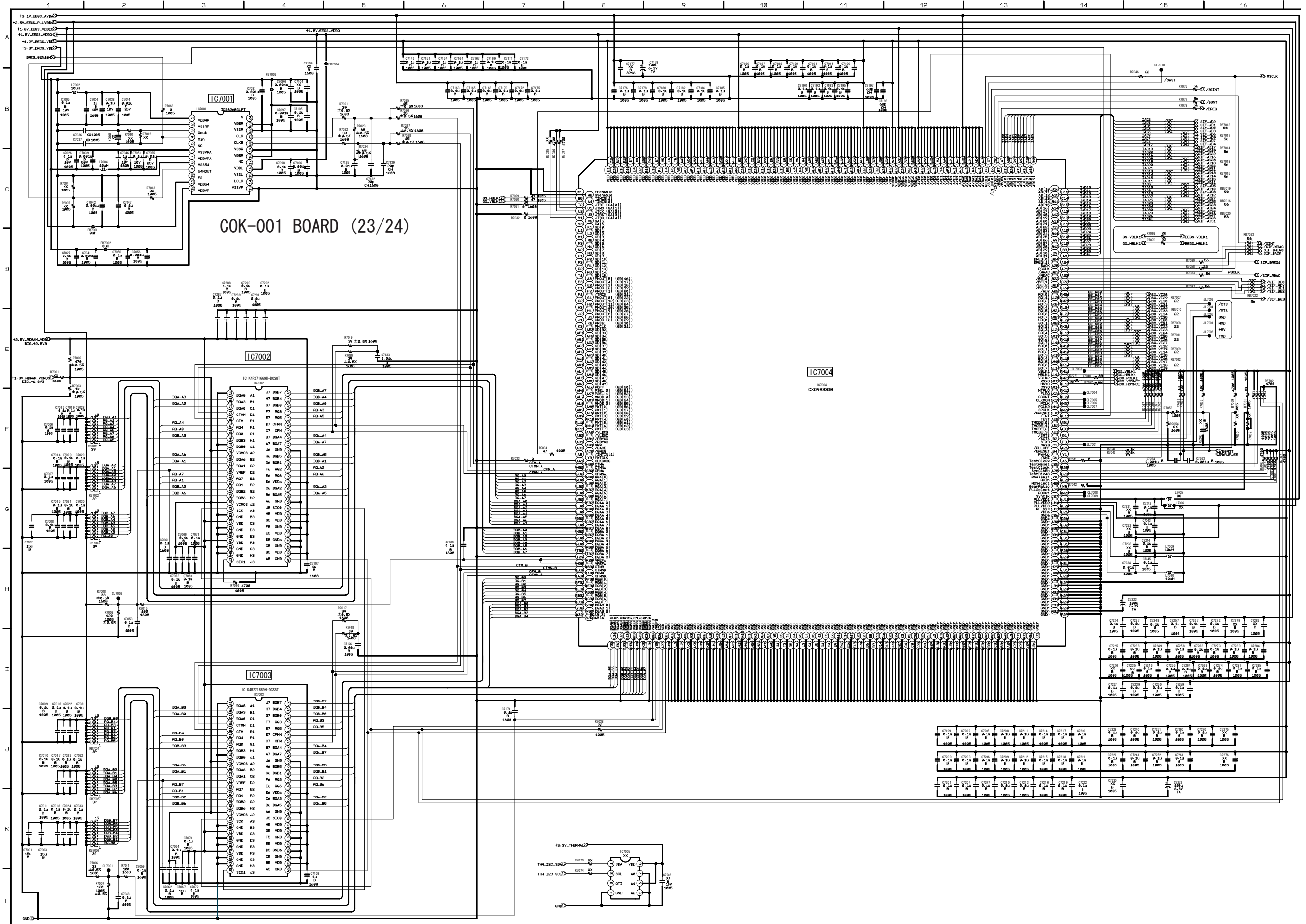
1-22. COK-001 BOARD (22/24)



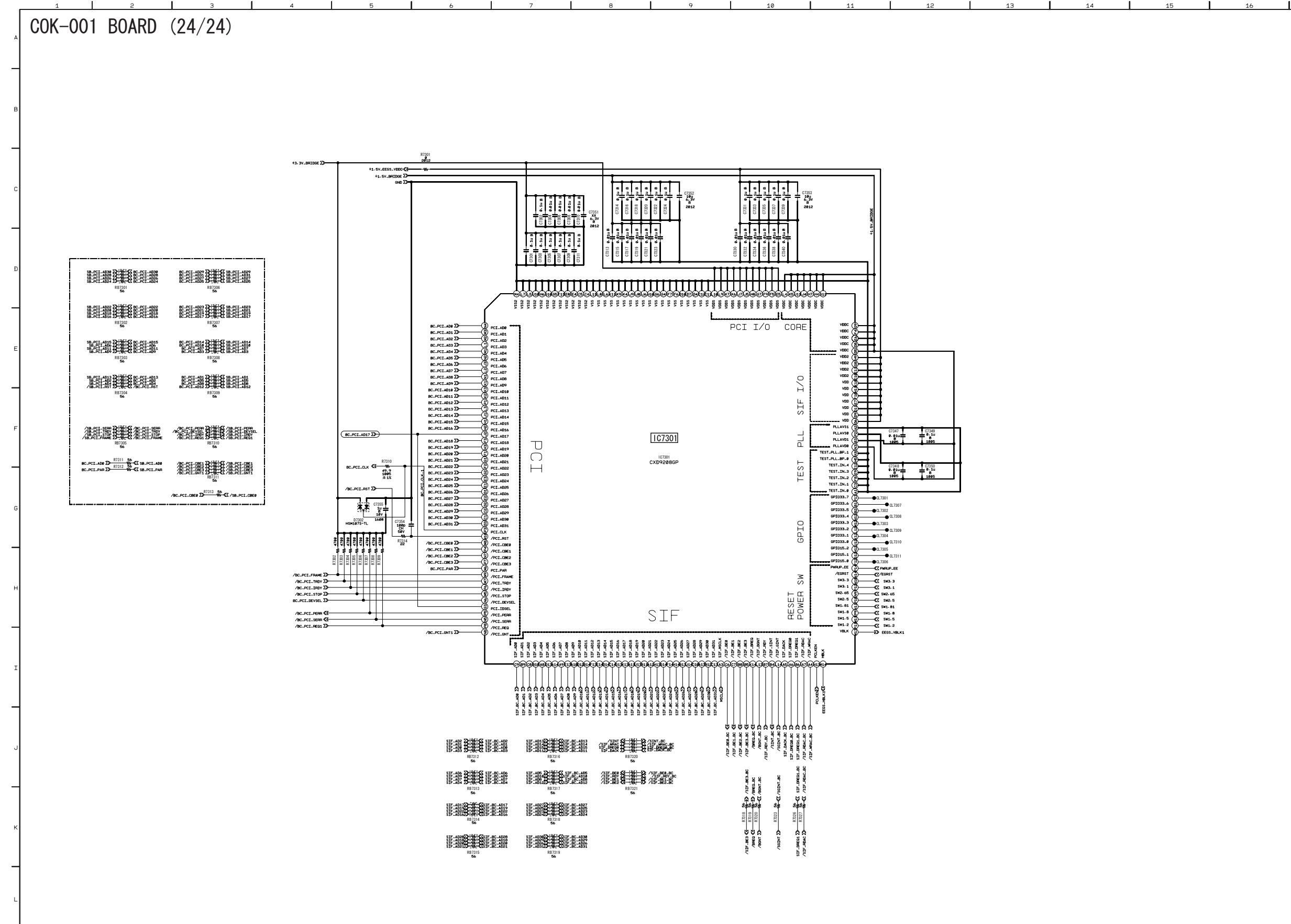
Note:
The components identified by mark Δ or dotted line with mark Δ are critical for safety. Replace only with part number specified.

Note:
Les composants identifiés par une marque Δ sont critiques pour la sécurité. Ne les remplacer que par une pièce portant le numéro spécifié.

1-30. COK-001 BOARD (23/24)



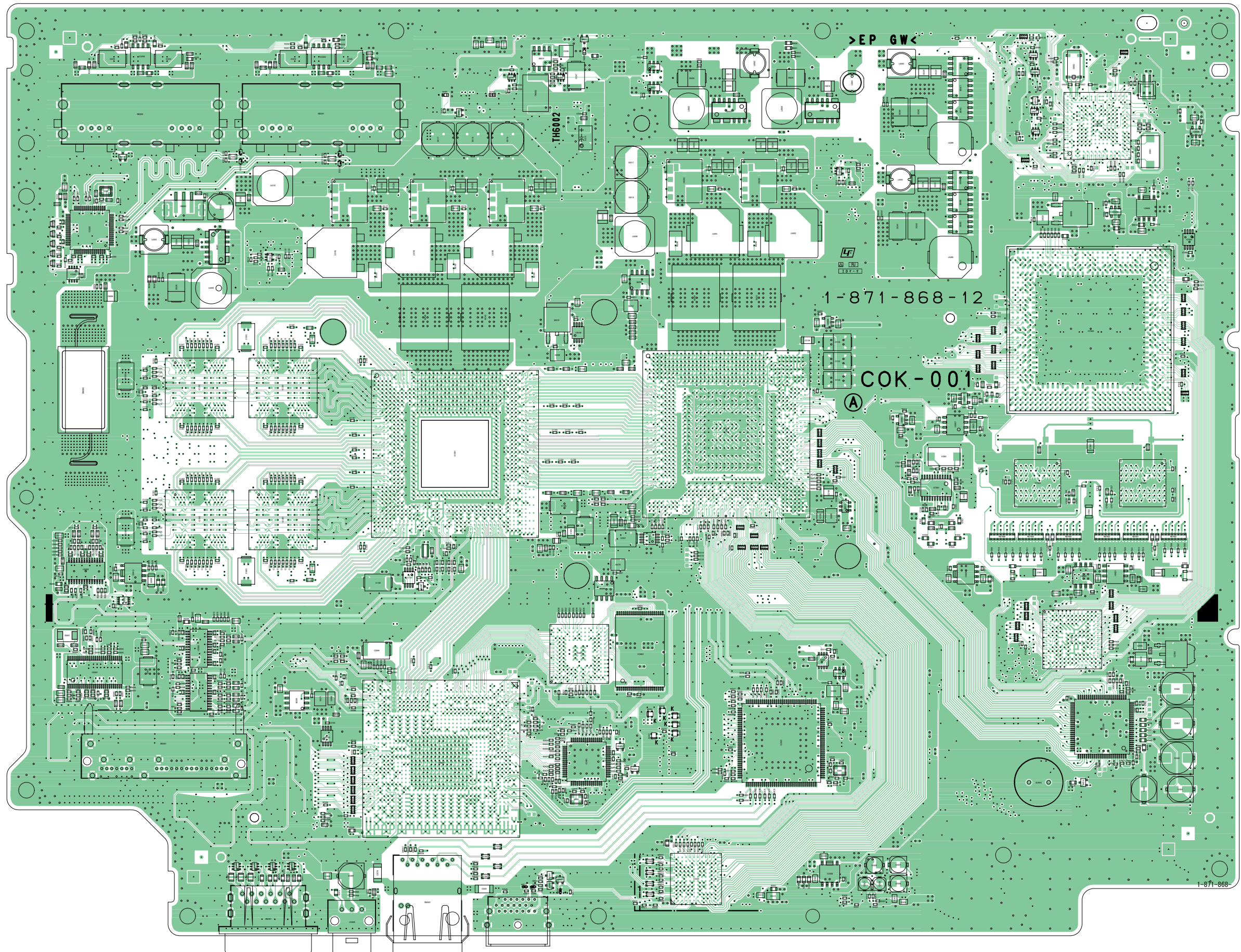
1-24. COK-001 BOARD (24/24)



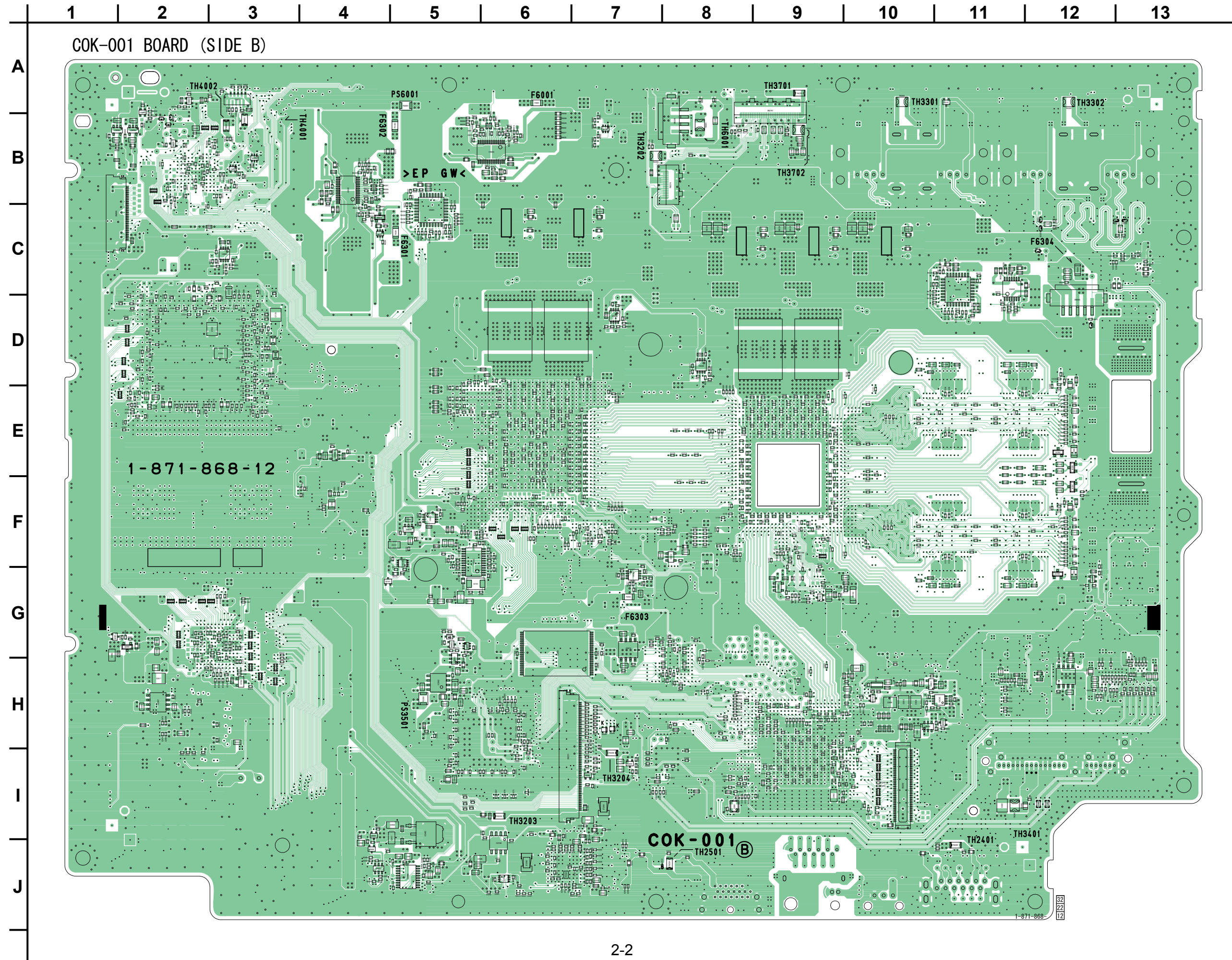
2-1. COK-001 BOARD (SIDE A)

13 | 12 | 11 | 10 | 9 | 8 | 7 | 6 | 5 | 4 | 3 | 2 | 1

COK-001 BOARD (SIDE A)



2-2. COK-001 BOARD (SIDE B)



SECTION 3
EXPLODED VIEWS

NOTE:

- The mechanical parts with no reference number in the exploded views are not supplied.
- Accessories are given in the last of this parts list.

The components identified by mark \triangle or dotted line with mark \triangle are critical for safety. Replace only with part number specified.

Les composants identifiés par une marque \triangle sont critiques pour la sécurité. Ne les remplacer que par une pièce portant le numéro spécifié.

NOTE:

- SC Classification:
S : Supplied parts U : Unsupplied parts

CAUTION

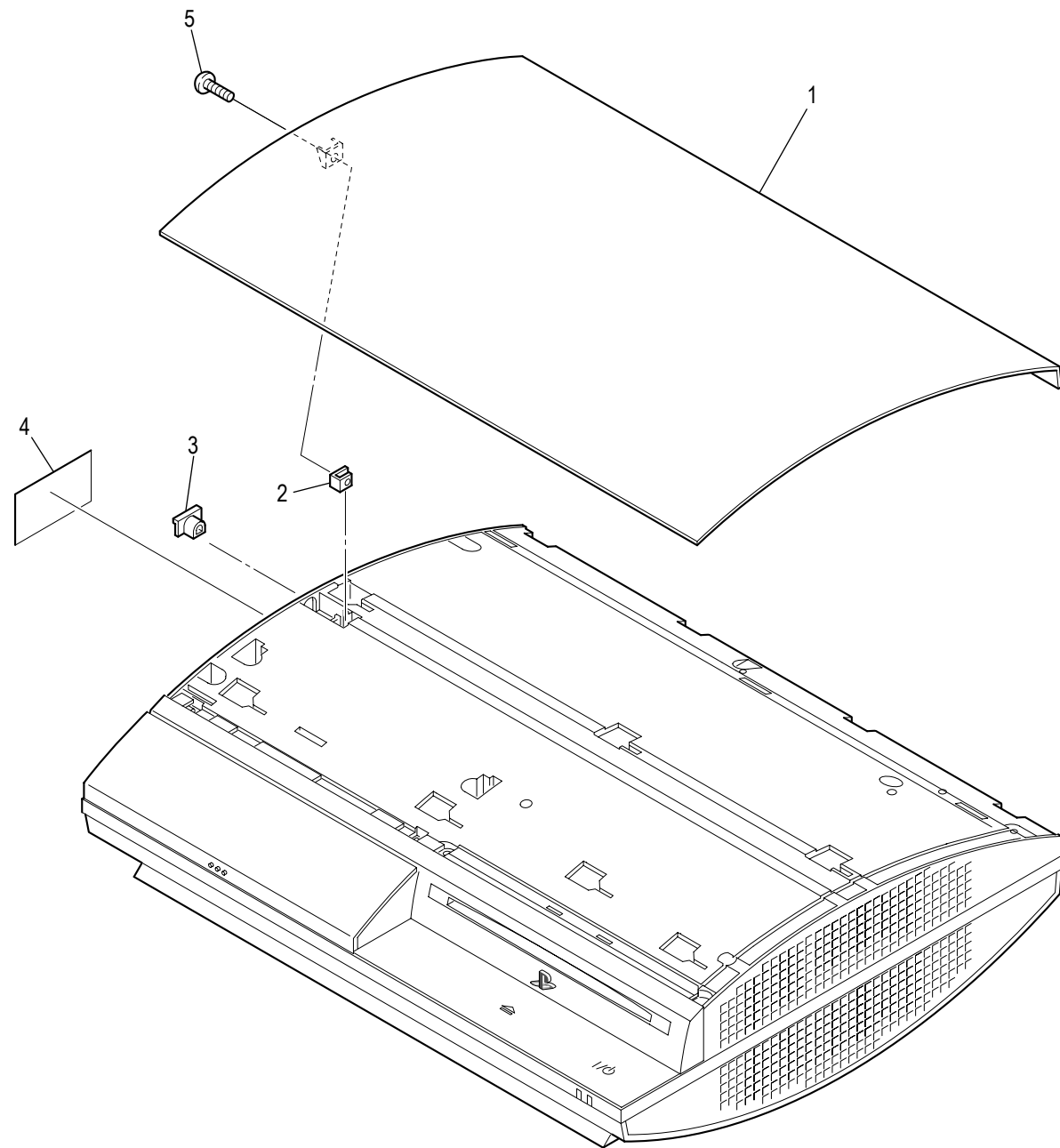
Use of controls or adjustments or performance of procedures other than those specified herein may result in hazardous radiation exposure.

SPECIAL COMPONENT NOTICE

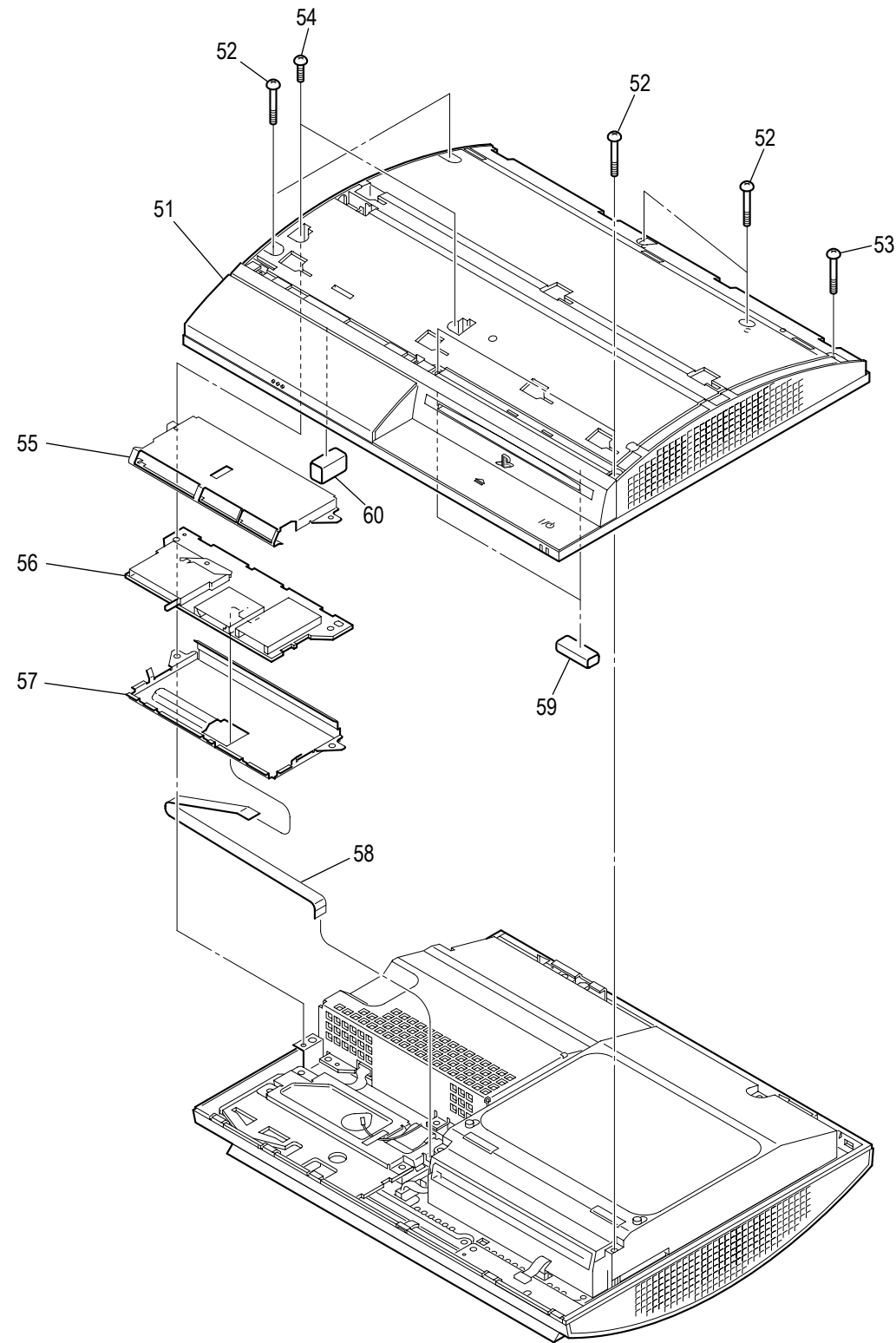
The components identified by mark \triangle contain confidential information. Strictly follow the instructions whenever the components are repaired and/or replaced.

SC	Ref. No.	Part No.	Description	Remark
S \triangle	1	9-910-001-00	PANEL ASSY, UPPER	
S	2	2-888-854-01	NUT, PLATE	
S	3	2-888-856-02	FOOT (UPPER), RUBBER	
S	4	2-897-587-02	TAPE (MAIN), VOID (A00)	
S	4	2-897-587-12	TAPE (MAIN), VOID (A01)	
S	5	2-319-748-01	SCRWB, (3X7) OPEN PREVENTION	

3-1. UPPER PANEL SECTION



3-2. UPPER CABINET SECTION

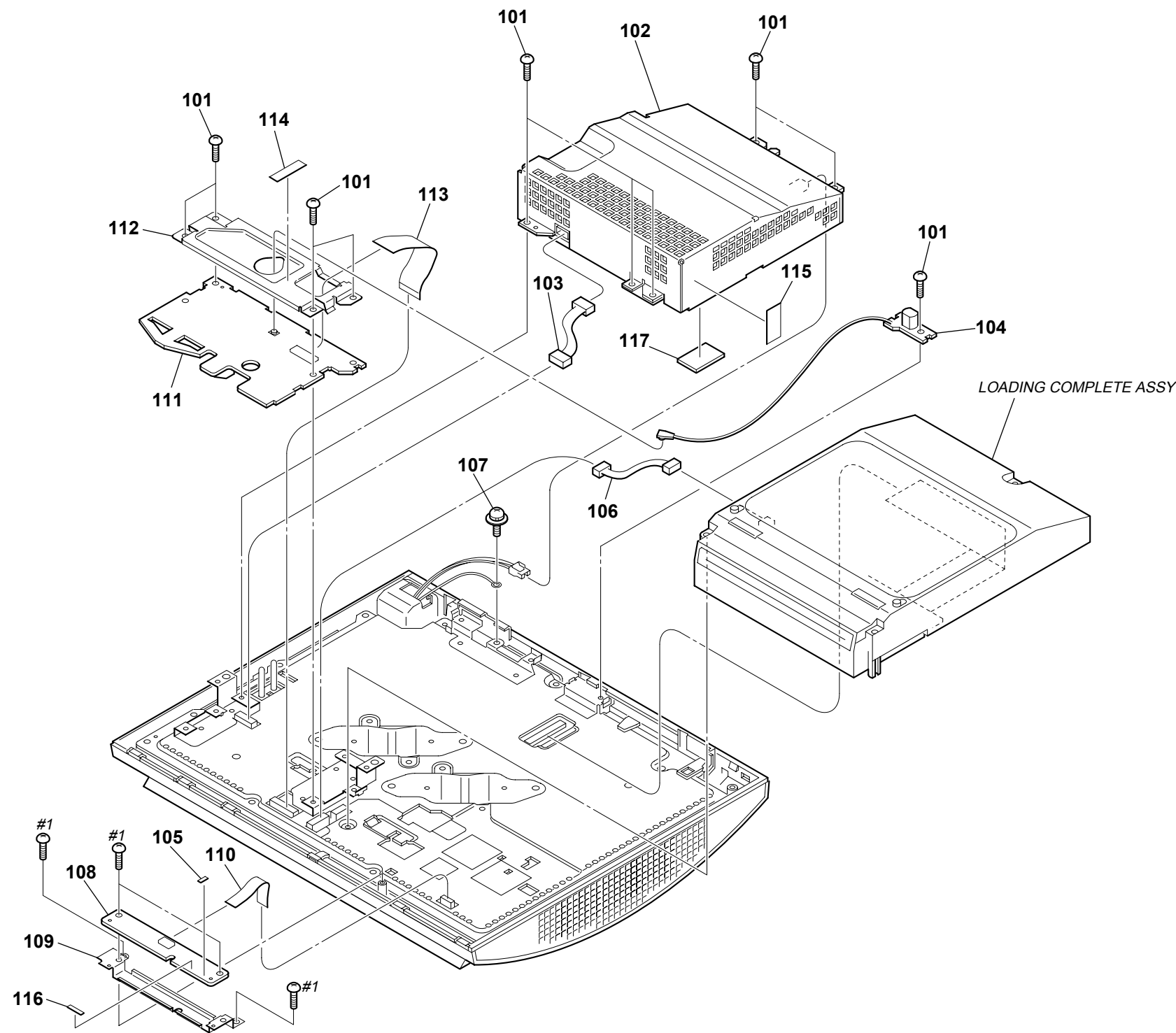


SC	Ref. No.	Part No.	Description	Remark
S△	51	9-910-000-99	CABINET ASSY, UPPER	
S	52	2-888-864-11	(+) BV TAPPING SCREW 3	
S	53	2-888-864-01	(+) BV TAPPING SCREW 3	
S	54	2-888-866-01	SCREW, +BV 3X7	
S	55	X-2149-625-1	SHIELD ASSY, CARD UPPER	
S△	56	A-1226-214-A	CMC-001 COMPL (SERVICE)	
S	57	2-888-859-01	SHIELD (CARD LOWER)	
S△	58	1-833-480-12	CABLE, FLEXIBLE FLAT (LVDS-015)	
S	59	2-896-912-01	GASKET (2X5X15)	
S	60	2-893-732-01	GASKET (7X7X8)	

The components identified by mark △ or dotted line with mark △ are critical for safety. Replace only with part number specified.

Les composants identifiés par une marque △ sont critiques pour la sécurité. Ne les remplacer que par une pièce portant le numéro spécifié.

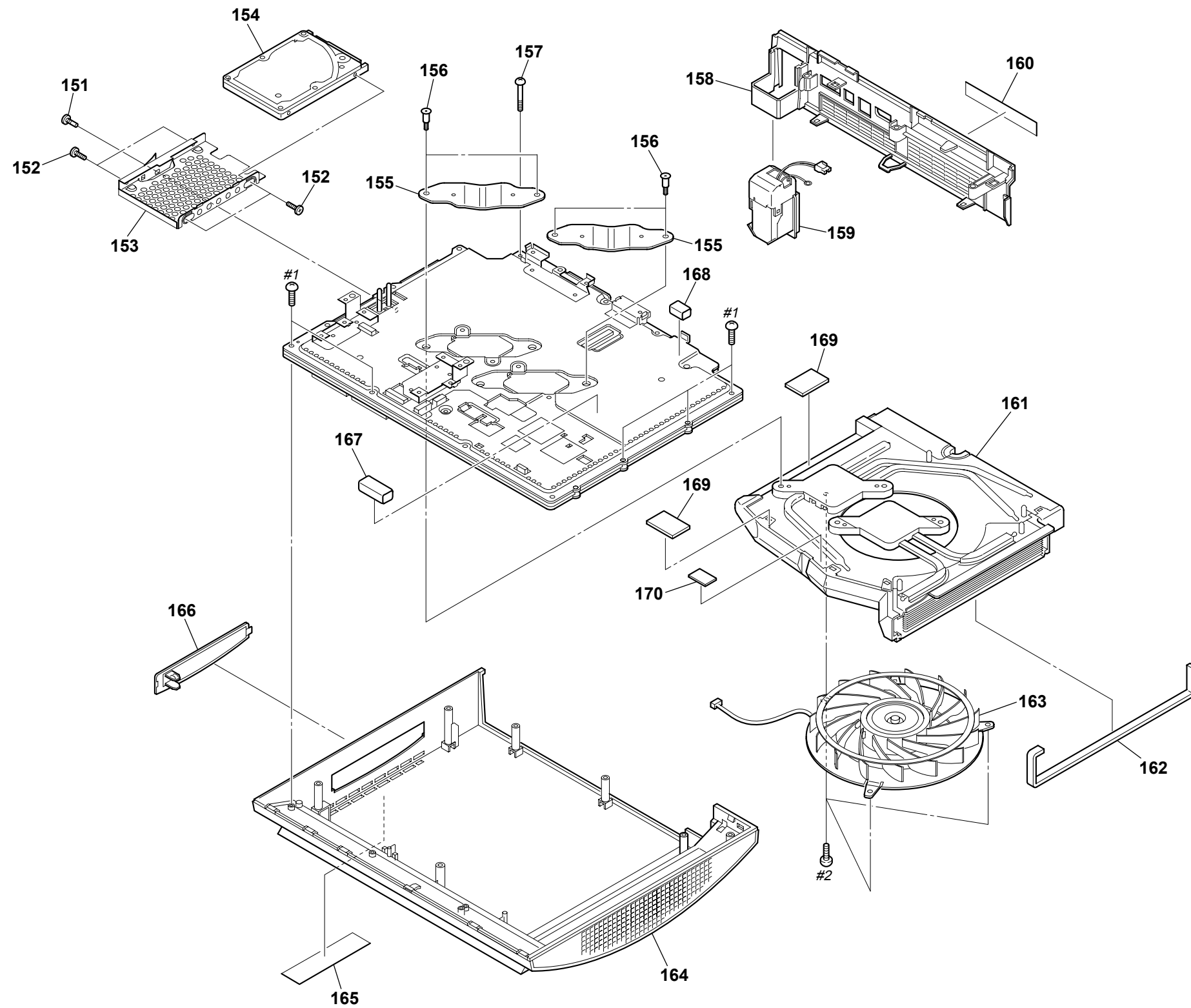
3-3. BOARDS SECTION



SC	Ref. No.	Part No.	Description	Remark
S	101	2-888-866-01	SCREW, +BV 3X7	
S△	102	1-474-037-11	REGULATOR, SWITCHING (A00, A01)	
S△	103	1-965-043-11	HARNESS (POWER 5PIN)	
S△	104	1-754-466-11	ANTENNA	
S	105	2-898-730-02	CUSHION (1.5X4.5X1.0)	
S△	106	1-965-001-11	HARNESS (BMD POWER)	
S	107	2-888-867-01	+PSW M4X5.5	
S△	108	A-1226-216-A	CSW-001 COMPL (SERVICE)	
S	109	2-888-849-01	SHIELD (SW LOWER)	
S△	110	1-833-478-11	CABLE, FLEXIBLE FLAT (FFC-010)	
S△	111	A-1268-384-A	CWI-001 COMPL (H) (SERVICE)	
S	112	2-890-572-01	SHIELD (WL UPPER)	
S△	113	1-833-470-21	CABLE, FLEXIBLE FLAT (33P)	
S	114	2-891-153-01	TAPE (10X30), HARNESS STOPPER	
S	115	3-069-212-01	TAPE, HARNESS STOPPER	
S	116	2-899-833-02	CUSHION (1.2X12X1.0)	
S	117	2-899-846-01	GASKET (3X10X20)	
S	#1	7-685-647-79	SCREW +BVTP 3X10 TYPE2 N-S	

<p>The components identified by mark △ or dotted line with mark △ are critical for safety. Replace only with part number specified.</p>	<p>Les composants identifiés par une marque △ sont critiques pour la sécurité. Ne les remplacer que par une pièce portant le numéro spécifié.</p>
---	---

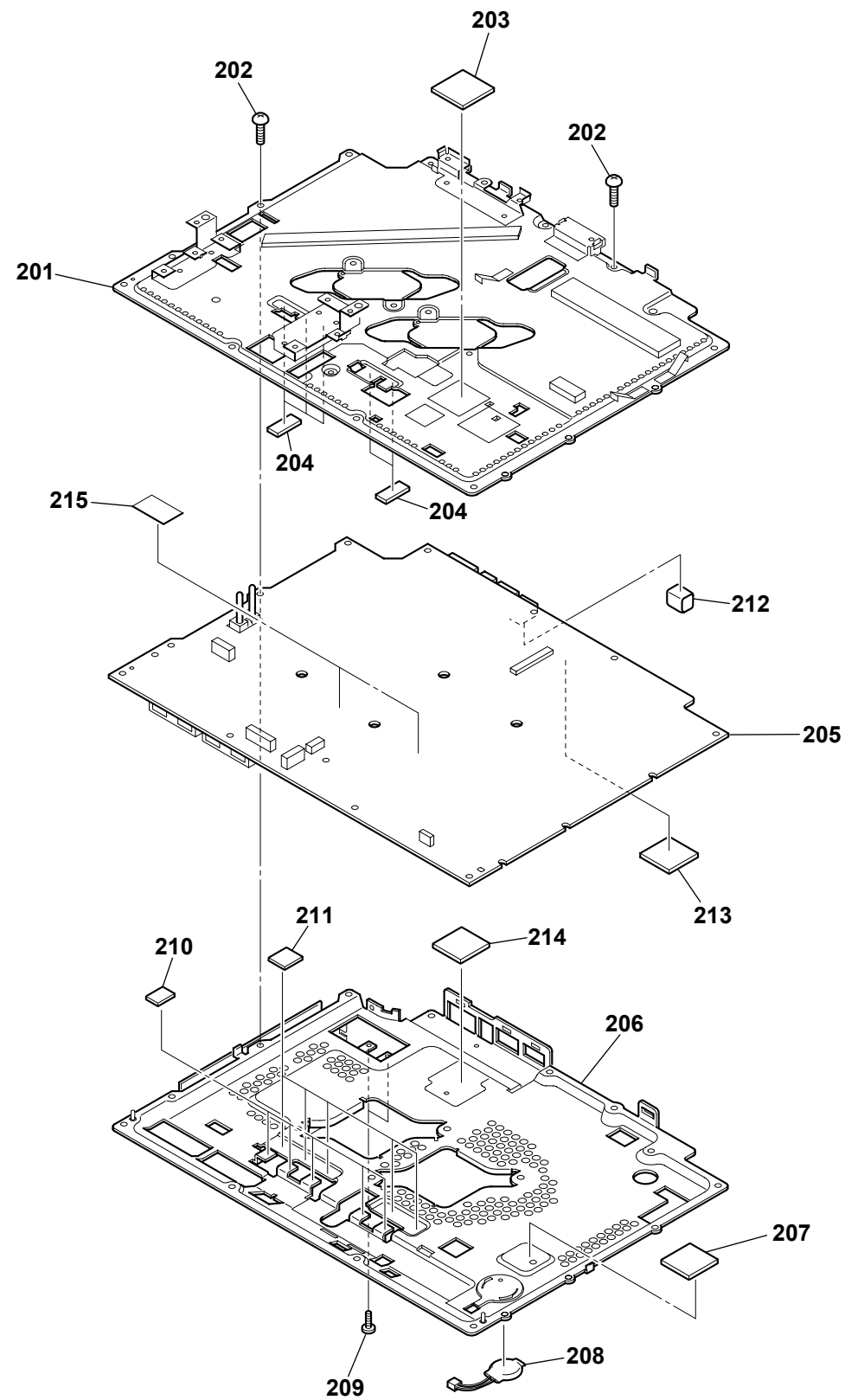
3-4. HDD SECTION



SC	Ref. No.	Part No.	Description	Remark
S	151	2-888-868-01	SCREW (M3X3.5)	
S	152	2-888-863-01	SCREW, M3X3.5 FLAT HEAD	
S	153	X-2149-623-2	HOLDER ASSY, HDD	
S Δ	154	1-797-692-11	HDD ST96812AS (60GB)	
S	155	2-888-858-01	SPRING (HEAT SINK), LEAF	
S	156	2-888-861-01	SCREW (HEAT SINK), STEP	
S	157	2-888-864-01	(+) BV TAPPING SCREW 3	
S Δ	158	9-910-000-98	PANEL ASSY, REAR	
S Δ	159	1-798-026-13	SWITCH (WITH AC INLET)	
S	160	9-910-001-09	LABEL (REAR), SERIAL (J/60GB/R) (A00)	
S	160	9-910-001-12	LABEL (REAR), SERIAL (UC/60GB/R) (A01)	
S	161	2-888-857-01	HEAT SINK	
S	162	2-891-147-01	CUSHION (7X230X3)	
S Δ	163	1-787-558-12	FAN, D.C. (D14F-12BS1 01H1)	
S Δ	164	9-910-001-43	CABINET ASSY, LOWER	
S Δ	165	2-896-886-01	LABEL, MODEL NUMBER (J1) (A00)	
S Δ	165	2-896-888-01	LABEL, MODEL NUMBER (UC2) (A01)	
S Δ	166	9-910-001-01	LID ASSY, HDD (A00, A01)	
S	167	2-893-730-01	GASKET (7X10X25)	
S	168	2-893-731-01	GASKET (7X10X15)	
S	169	2-899-846-01	GASKET (3X10X20)	
S	170	3-100-483-01	GASKET (4X9X20)	
S	#1	7-685-647-79	SCREW +BVTP 3X10 TYPE2 N-S	
S	#2	7-682-145-01	SCREW +P 3X4	

<p>The components identified by mark Δ or dotted line with mark Δ are critical for safety. Replace only with part number specified.</p>	<p>Les composants identifiés par une marque Δ sont critiques pour la sécurité. Ne les remplacer que par une pièce portant le numéro spécifié.</p>
---	---

3-5. FRAME SECTION

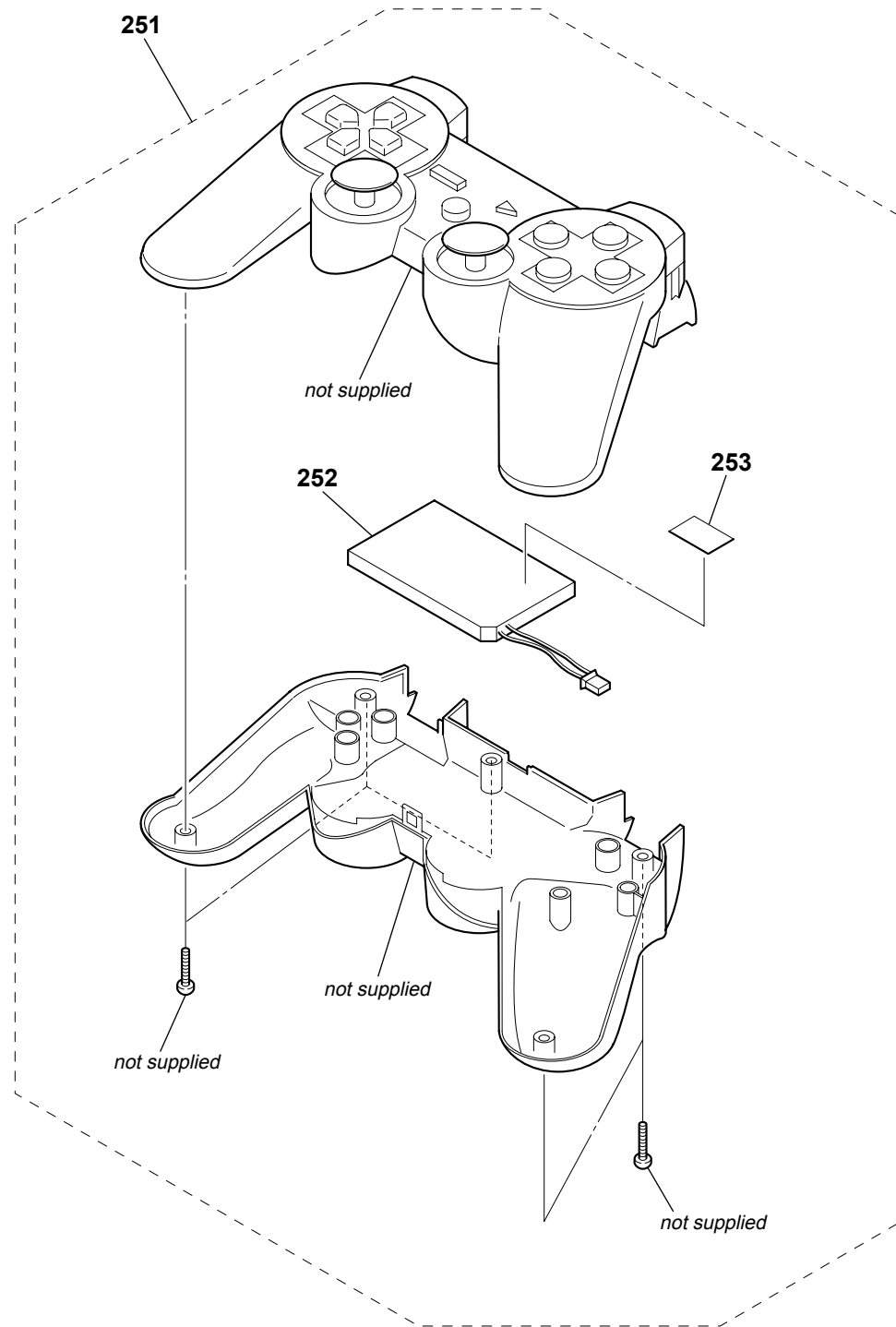


SC	Ref. No.	Part No.	Description	Remark
S	201	X-2149-622-2	FRAME ASSY, SUB	
S	202	2-894-361-01	SCREW, +B 2.5X7	
S	203	2-891-151-01	SHEET (24X24X2)	
S	204	2-891-150-01	SHEET (12X7X1.3)	
S \triangle	205	\triangle A-1226-213-A	COK-001 COMPL (HC) (SERVICE)	
S	206	X-2149-621-3	FRAME ASSY, MAIN	
S	207	2-891-148-01	SHEET (30X30X1.3)	
S \triangle	208	9-886-100-13	BATTERY, LITHIUM (CR2032-LC1) (DC 3V/200mAh)	
S	209	2-888-862-01	SCREW, O PLATE SPECIAL HEAD	
S	210	2-896-902-01	SHEET (11X11X1.3)	
S	211	2-891-149-01	SHEET (13X13X1.3)	
S	212	2-893-732-01	GASKET (7X7X8)	
S	213	2-899-467-01	SHEET (20X30X1.1)	
S	214	2-899-683-01	SHEET, SB (24X24X2)	
S	215	3-100-482-01	SHEET (15X30X0.4)	

<p>The components identified by mark \triangle or dotted line with mark \triangle are critical for safety. Replace only with part number specified.</p>	<p>Les composants identifiés par une marque \triangle sont critiques pour la sécurité. Ne les remplacer que par une pièce portant le numéro spécifié.</p>
---	--

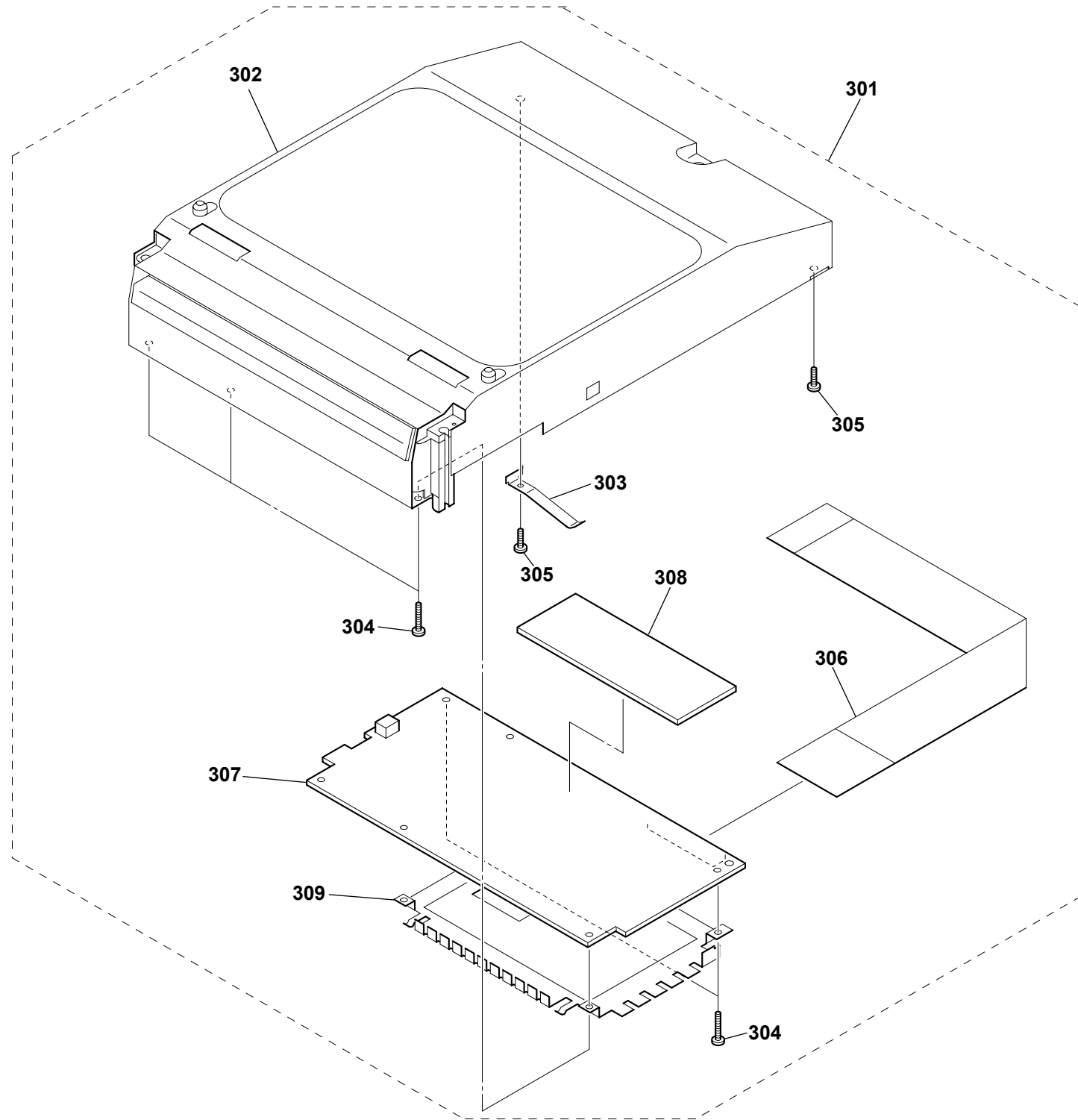
3-6. CONTROLLER SECTION

SC	Ref. No.	Part No.	Description	Remark
S	251	1-417-780-12	CONTROLLER, WIRELESS (A00)	
S	251	1-417-780-22	CONTROLLER, WIRELESS (A01)	
S△	252	1-756-704-11	BATTERY, STORAGE, LITHIUM ION (LIP1359) (DC 3.7V/610mAh)	
S△	253	2-898-556-01	LABEL, BATTERY (J) (A00)	
S△	253	2-898-557-01	LABEL, BATTERY (U) (A01)	



<p>The components identified by mark △ or dotted line with mark △ are critical for safety. Replace only with part number specified.</p>	<p>Les composants identifiés par une marque △ sont critiques pour la sécurité. Ne les remplacer que par une pièce portant le numéro spécifié.</p>
---	---

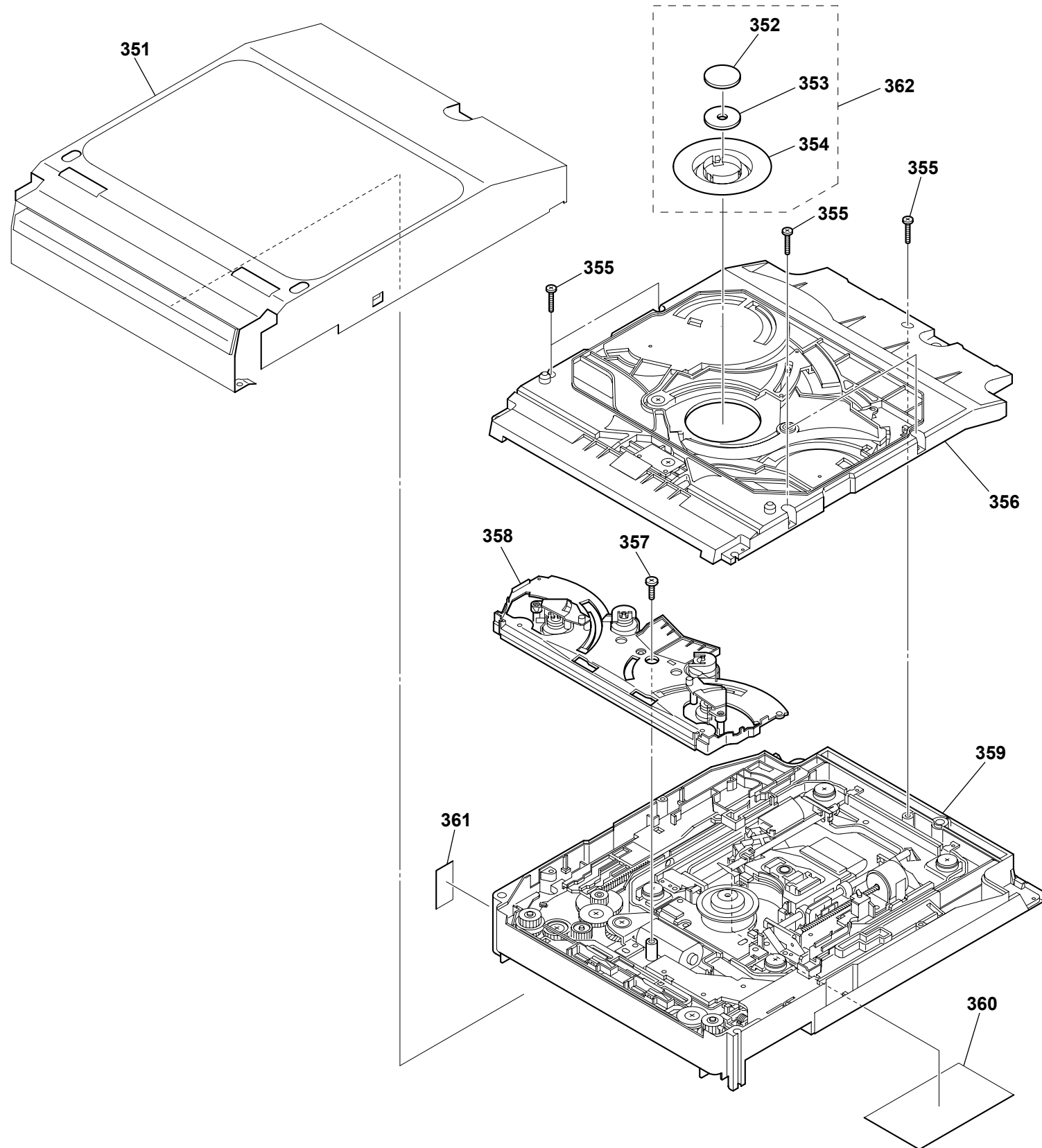
3-7. LOADING COMPLETE ASSY SECTION



SC	Ref. No.	Part No.	Description	Remark	
S	△	301	9-910-001-47	SERVICE, LOADING COMPLETE ASSY	
U		302	A-1203-908-A	LOADING BLOCK ASSY	
S		303	2-894-364-02	SPRING (MD), LEAF	
S		304	3-948-339-12	SCREW, TAPPING	
S		305	3-082-653-11	O PART-NO. 3 MAIN M2	
S		306	1-833-479-11	CABLE, FLEXIBLE FLAT (FFC-060)	
S		307	Ⓜ A-1267-249-A	BMD-001 COMPL (SERVICE)	
S		308	2-698-708-02	CUSHION (PWB)	
S		309	9-910-001-48	SHIELD ASSY (MD)	

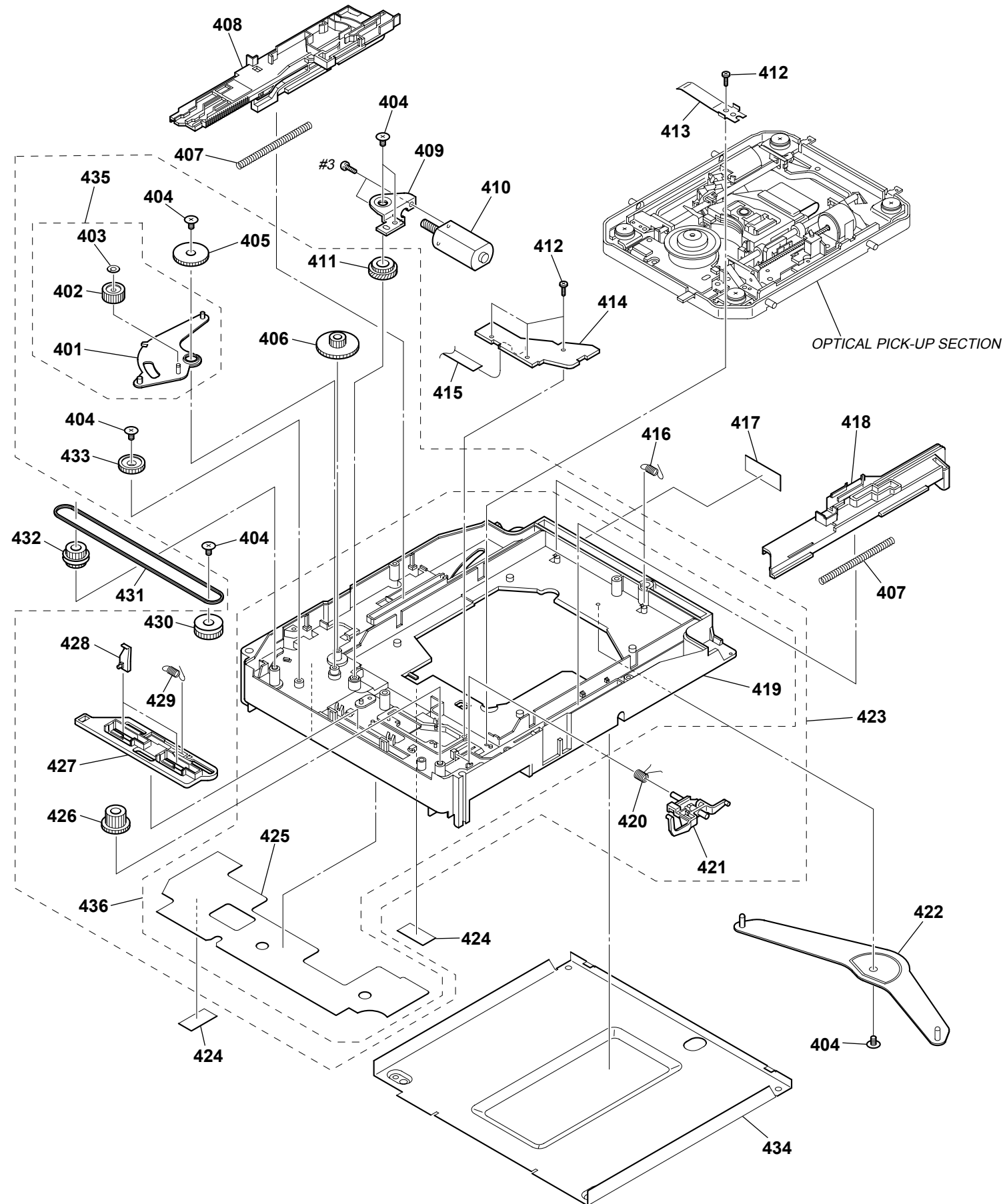
<p>The components identified by mark △ or dotted line with mark △ are critical for safety. Replace only with part number specified.</p>	<p>Les composants identifiés par une marque △ sont critiques pour la sécurité. Ne les remplacer que par une pièce portant le numéro spécifié.</p>
---	---

3-8. LOADING BLOCK ASSY SECTION



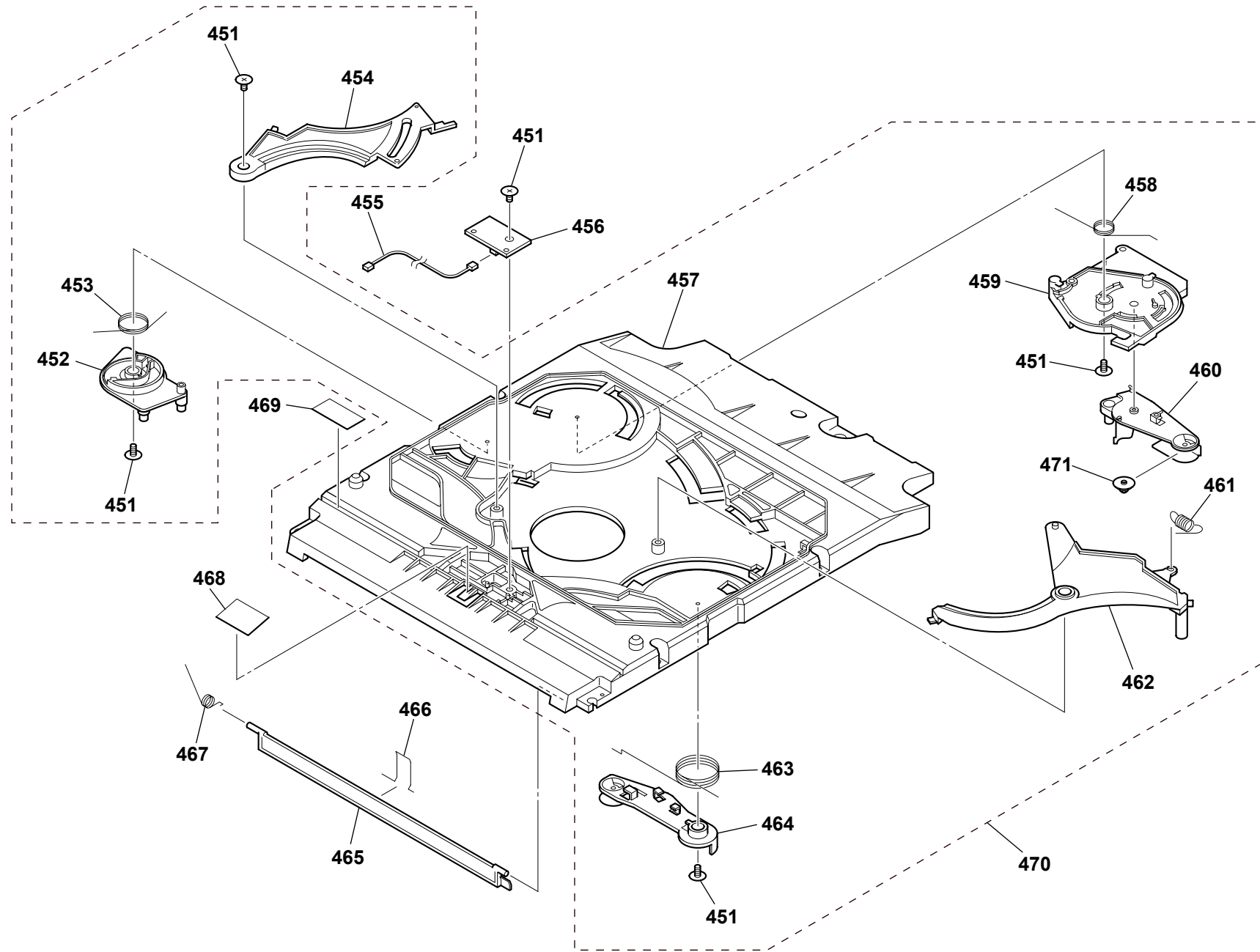
SC	Ref. No.	Part No.	Description	Remark
S	351	9-910-001-52	COVER ASSY, TOP	
U	352	2-698-683-01	YOKE (CHUCK PULLEY)	
U	353	1-471-407-11	MAGNET	
U	354	2-698-682-02	PULLEY, CHUCK	
S	355	3-948-339-12	SCREW, TAPPING	
S	356	A-1204-033-A	FRAME COMPLETE ASSY, TOP	
S	357	2-647-360-61	SCREW (B2), TAPPING	
S	358	A-1204-035-A	ARM ASSY, FRONT	
U	359	A-1203-909-A	FRAME COMPLETE ASSY, BASE	
S	360	2-888-817-01	LABEL, LASER CAUTION	
S	361	3-069-212-01	TAPE, HARNESS STOPPER	
S	362	A-1204-038-B	PULLEY ASSY, CHUCK	

3-9. BASE FRAME COMPLETE ASSY SECTION



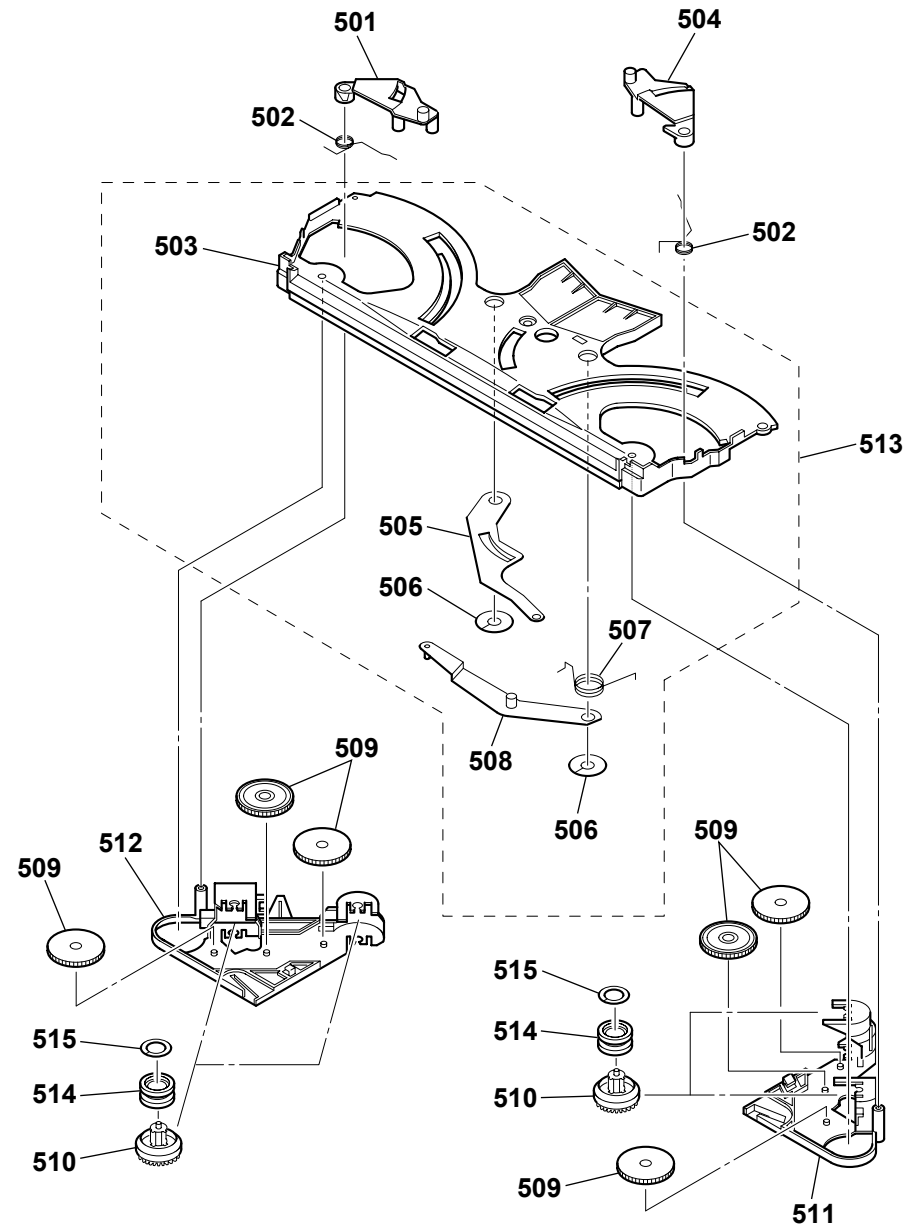
SC	Ref. No.	Part No.	Description	Remark
U	401	X-2149-112-1	ARM SUB ASSY, SWING	
U	402	2-698-620-01	GEAR (SWING ARM)	
U	403	2-698-633-01	WASHER (GEAR)	
U	404	2-059-635-11	SCREW	
U	405	2-698-466-01	GEAR (A)	
U	406	2-698-467-01	GEAR (CAM DRIVING)	
U	407	2-698-652-01	SPRING (SLIDE CAM), COMPRESSION	
S	408	2-698-624-02	CAM (L), SLIDE	
S	409	2-698-629-01	BRACKET, MOTOR	
S	410	X-2149-103-1	MOTOR ASSY, LOADING	
U	411	2-698-465-01	WHEEL, WORM	
U	412	2-647-360-61	SCREW (B2), TAPPING	
U	413	2-698-630-01	SPRING (BU HOLDER), LEAF	
S	414	A-1267-250-A	BL1-001 COMPL (SERVICE)	
S	415	1-833-249-11	CABLE, FLEXIBLE FLAT (FFC-014)	
U	416	2-698-653-01	SPRING (BU HOLDER), EXTENSION	
S	417	2-890-570-01	LABEL, SERIAL NUMBER	
S	418	2-698-625-02	CAM (R), SLIDE	
U	419	2-698-626-01	FRAME, BASE	
U	420	2-698-664-01	SPRING (SHUTTER ARM), TORSION	
U	421	2-698-623-01	ARM, SHUTTER	
S	422	2-698-628-01	ARM, LINK	
S	423	A-1203-919-C	BASE FRAME ASSY	
S	424	3-069-212-01	TAPE, HARNESS STOPPER	
U	425	2-698-631-01	SHEET (BASE FRAME)	
U	426	2-698-617-01	GEAR (SHAFT R)	
U	427	2-698-621-01	SLIDER (SHUTTER), LOCK	
U	428	2-698-622-01	LEVER (SHUTTER), LOCK	
U	429	2-698-654-02	SPRING (LOCK SLIDER), EXTENSION	
U	430	2-698-618-01	GEAR (BELT)	
S	431	2-698-651-01	BELT (FRONT ARM)	
S	432	2-698-650-01	GEAR (SHAFT L)	
U	433	2-698-619-01	GEAR (IDLER)	
S	434	9-910-001-51	COVER, BOTTOM	
U	435	A-1203-920-A	ARM ASSY, SWING	
U	436	A-1204-032-A	FRAME SUB ASSY, BASE	
S	#3	7-627-554-38	SCREW, PRECISION +P 2X1.8 TYPE1	

3-10. TOP FRAME COMPLETE ASSY SECTION



SC	Ref. No.	Part No.	Description	Remark
S	451	2-059-635-11	SCREW	
U	452	2-698-660-02	ARM (REAR GUIDE), LOCK	
U	453	2-698-686-01	SPRING (LOCK ARM), TORSION	
U	454	2-698-656-02	ARM (L), CHUCK	
S	455	1-964-978-11	HARNESS, 2PIN CONNECTOR (LED)	
U	456	A-1205-601-A	BL2-001 COMPL	
U	457	2-698-655-02	FRAME, TOP	
U	458	2-699-485-01	SPRING (REAR GUIDE ARM), TORSION	
U	459	2-698-661-01	ARM, REAR GUIDE	
U	460	2-889-123-03	ARM (A), DETECTION	
U	461	2-698-687-01	SPRING (CHUCK ARM), EXTENSION	
U	462	2-698-657-03	ARM (R), CHUCK	
U	463	2-698-685-01	SPRING (SUPPORT ARM), TORSION	
U	464	2-698-658-01	ARM, SUPPORT	
U	465	2-698-663-01	SHUTTER	
U	466	2-889-118-01	HOOK (SHUTTER)	
U	467	2-698-665-01	SPRING (SHUTTER), TORSION	
U	468	2-889-128-01	SHEET (TOP FRAME)	
S	469	3-069-212-01	TAPE, HARNESS STOPPER	
U	470	A-1204-034-E	FRAME ASSY, TOP	
U	471	2-698-662-01	ROLLER (REAR GUIDE)	

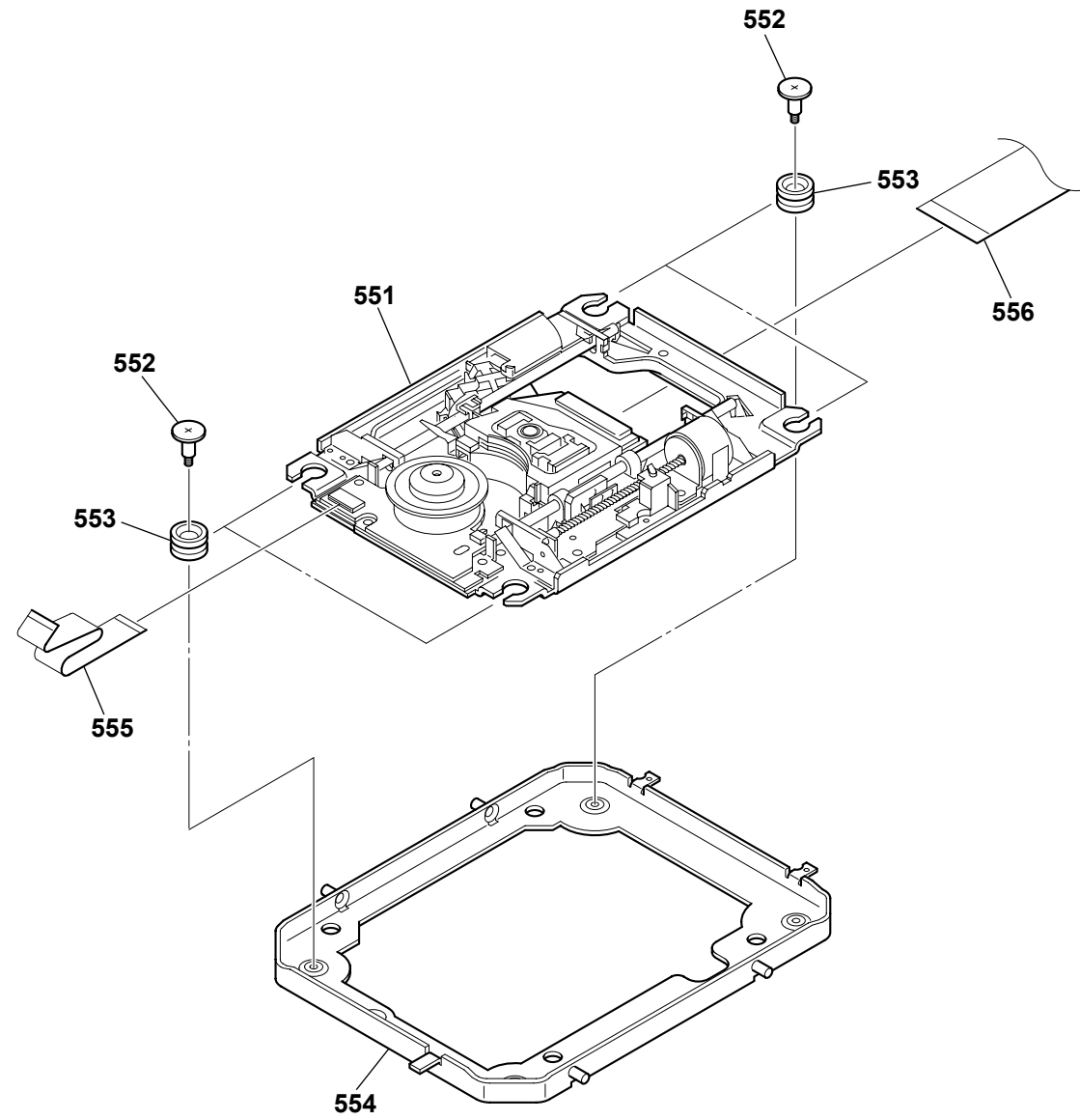
3-11. FRONT ARM ASSY SECTION



SC	Ref. No.	Part No.	Description	Remark
U	501	2-698-697-01	LOCK (FRONT ARM L)	
U	502	2-698-699-03	SPRING (LOCK FA), TORSION	
U	503	2-698-688-03	BRACKET (FRONT ARM)	
U	504	2-698-698-01	LOCK (FRONT ARM R)	
U	505	2-698-694-01	ARM (FB), LINK	
U	506	2-698-633-01	WASHER (GEAR)	
U	507	2-698-710-01	SPRING (FRONT ARM), TORSION	
U	508	2-698-693-01	ARM (FA), LINK	
U	509	2-698-691-01	GEAR (FRONT ARM)	
U	510	2-698-692-01	GEAR (ROLLER)	
U	511	2-698-690-02	ARM (R), FRONT	
U	512	2-698-689-02	ARM (L), FRONT	
U	513	A-1204-036-C	ARM SUB ASSY, FRONT	
U	514	2-698-695-01	ROLLER, RUBBER	
U	515	2-698-700-01	WASHER (ROLLER)	

3-12. OPTICAL PICK-UP SECTION

SC	Ref. No.	Part No.	Description	Remark
S	△	551	8-820-372-03	DEVICE, OPTICAL KEM400AAA/J1NP1
S		552	2-698-669-01	SCREW, STEP
S		553	2-698-668-01	INSULATOR
U		554	9-910-001-49	HOLDER, BU
S		555	1-833-247-11	CABLE, FLEXIBLE FLAT (FFC-019)
S		556	1-833-248-12	CABLE, FLEXIBLE FLAT (FFC-045)



<p>The components identified by mark △ or dotted line with mark △ are critical for safety. Replace only with part number specified.</p>	<p>Les composants identifiés par une marque △ sont critiques pour la sécurité. Ne les remplacer que par une pièce portant le numéro spécifié.</p>
---	---

3-13. ACCESSORIES & PACKING MATERIALS

SC	Ref. No.	Part No.	Description	Remark
			ACCESSORIES & PACKING MATERIALS *****	
S	△	1-534-827-51	CORD, POWER (A01)	
S	△	1-834-231-41	CORD, CONNECTION	
S	△	1-831-476-21	CORD SET, POWER (A00)	
S		1-833-625-11	CABLE, USB	
S		1-833-636-12	CABLE, LAN	
S		2-187-182-03	CARD, ESRB (A01)	
S		2-699-704-01	MASTER CARTON	
S		2-699-708-01	SHEET, PROTECTION	
S		2-891-394-02	GUIDE, SERVICE (A00)	
S		2-893-688-02	CARD, OPM (PSU) (A01)	
S		2-893-689-12	CARD, SERVICE INFORMATION (A01)	
S		2-894-623-01	INDIVIDUAL CARTON (A00)	
S		2-894-638-01	MASTER CARTON, 2 SETS (A00)	
S		2-894-625-01	C. C. B. CUSHION (L)	
S		2-894-626-02	C. C. B. CUSHION (R)	
S		2-894-627-01	PARTITION, ACCESSORY	
S		3-704-339-11	SHEET, PROTECTION (850X600)	
S		3-207-612-21	RECYCLED PE-BAG, STD 200X300	
S		2-894-628-03	MANUAL, INSTRUCTION (A00)	
S		2-894-628-13	MANUAL, INSTRUCTION (A01)	
S		2-894-629-03	MANUAL, INSTRUCTION (A00)	
S		2-894-629-13	MANUAL, INSTRUCTION (A01)	
S		2-894-646-02	INDIVIDUAL CARTON (A01)	
S		2-894-647-01	MASTER CARTON, 2 SETS (A01)	
S		2-897-599-02	HANDLE	
S		4-662-630-01	REINFORCEMENT, HANDLE	
S		3-217-010-01	INSTRUCTION (KEY BOARD) (A00)	
S		9-910-001-09	LABEL (REAR), SERIAL (J/60GB/R) (A00)	

The components identified by mark △ or dotted line with mark △ are critical for safety. Replace only with part number specified.	Les composants identifiés par une marque △ sont critiques pour la sécurité. Ne les remplacer que par une pièce portant le numéro spécifié.
--	--

Reproduction Prohibited

**SECTION 4
ELECTRICAL PARTS LIST**

NOTE:

- Due to standardization, replacements in the parts list may be different from the parts specified in the diagrams or the components used on the set.
- RESISTORS
METAL: Metal-film resistor.
F: nonflammable
- SEMICONDUCTORS
In each case, u : μ , for example:
uA.. : μ A.. uPA.. : μ PA..
uPB.. : μ PB.. uPC.. : μ PC.. uPD.. : μ PD..
- CAPACITORS
uF : μ F
• COILS
uH : μ H

The components identified by mark \triangle or dotted line with mark \triangle are critical for safety. Replace only with part number specified.

Les composants identifiés par une marque \triangle sont critiques pour la sécurité. Ne les remplacer que par une pièce portant le numéro spécifié.

When indicating parts by reference number, please include the board.

SPECIAL COMPONENT NOTICE

The components identified by mark \square contain confidential information. Strictly follow the instructions whenever the components are repaired and/or replaced.

NOTE:

- SC Classification:
S : Supplied parts
U : Unsupplied parts

SC	Ref. No.	Part No.	Description	Remark	SC	Ref. No.	Part No.	Description	Remark
S		A-1267-250-A	BL1-001 COMPL (SERVICE)		S	C3001	1-100-539-91	TANTAL. CHIP 47uF 20% 6.3V	

U		BL2-001	COMPL		S	C3002	1-100-539-91	TANTAL. CHIP 47uF 20% 6.3V	

S		\square A-1267-249-A	BMD-001 COMPL (SERVICE)		S	C3004	1-100-539-91	TANTAL. CHIP 47uF 20% 6.3V	

S	\triangle	A-1226-214-A	GMC-001 COMPL (SERVICE)		S	C3006	1-128-964-91	TANTAL. CHIP 100uF 20% 6.3V	

S	\triangle	\square A-1226-213-A	COK-001 COMPL (HC) (SERVICE)		S	C3009	1-114-248-91	TANTAL. CHIP 330uF 20% 2.5V	

< BUZZER >									
S	BZ4001	1-529-986-11	BUZZER, VOLTAGE		S	C3013	1-128-964-91	TANTAL. CHIP 100uF 20% 6.3V	
< CAPACITOR >									
S	C1101	1-114-248-91	TANTAL. CHIP 330uF 20% 2.5V		S	C3215	1-137-689-91	TANTAL. CHIP 47uF 20% 16V	
S	C1102	1-114-248-91	TANTAL. CHIP 330uF 20% 2.5V		S	C3246	1-137-934-91	TANTAL. CHIP 47uF 20% 10V	
S	C1105	1-114-248-91	TANTAL. CHIP 330uF 20% 2.5V		S	C3322	1-100-425-91	TANTAL. CHIP 220uF 20% 10V	
S	C1501	1-114-248-91	TANTAL. CHIP 330uF 20% 2.5V		S	C3323	1-100-425-91	TANTAL. CHIP 220uF 20% 10V	
S	C1503	1-114-248-91	TANTAL. CHIP 330uF 20% 2.5V		S	C3324	1-100-425-91	TANTAL. CHIP 220uF 20% 10V	
S	C1601	1-114-248-91	TANTAL. CHIP 330uF 20% 2.5V		S	C3325	1-100-425-91	TANTAL. CHIP 220uF 20% 10V	
S	C1603	1-114-248-91	TANTAL. CHIP 330uF 20% 2.5V		S	C3401	1-137-934-91	TANTAL. CHIP 47uF 20% 10V	
S	C2121	1-100-539-91	TANTAL. CHIP 47uF 20% 6.3V		S	C3544	1-112-561-21	TANTAL. CHIP 220uF 20% 2.5V	
S	C2124	1-100-539-91	TANTAL. CHIP 47uF 20% 6.3V		S	C5031	1-100-425-91	TANTAL. CHIP 220uF 20% 10V	
S	C2133	1-114-251-21	TANTAL. CHIP 470uF 20% 2.5V		S	C6028	1-114-253-21	TANTAL. CHIP 330uF 20% 6.3V	
S	C2267	1-114-248-91	TANTAL. CHIP 330uF 20% 2.5V		S	C6029	1-114-253-21	TANTAL. CHIP 330uF 20% 6.3V	
S	C2453	1-126-210-21	ELECT CHIP 220uF 20% 4V		S	C6095	1-112-561-21	TANTAL. CHIP 220uF 20% 2.5V	
S	C2454	1-100-815-21	ELECT CHIP 1000uF 20% 4V		S	C6116	1-112-861-11	ELECT CHIP 150uF 20% 16V	
S	C2455	1-126-210-21	ELECT CHIP 220uF 20% 4V		S	C6117	1-112-861-11	ELECT CHIP 150uF 20% 16V	
S	C2457	1-100-815-21	ELECT CHIP 1000uF 20% 4V		S	C6118	1-112-861-11	ELECT CHIP 150uF 20% 16V	
S	C2458	1-100-815-21	ELECT CHIP 1000uF 20% 4V		S	C6140	1-114-167-11	ELECT 1200uF 2.5V	
S	C2469	1-128-995-21	ELECT CHIP 100uF 20% 10V		S	C6141	1-114-167-11	ELECT 1200uF 2.5V	
					S	C6142	1-114-167-11	ELECT 1200uF 2.5V	
					S	C6143	1-114-167-11	ELECT 1200uF 2.5V	
					S	C6212	1-112-561-21	TANTAL. CHIP 220uF 20% 2.5V	
					S	C6217	1-114-250-21	ELECT CHIP 150uF 20% 16V	
					S	C6218	1-114-250-21	ELECT CHIP 150uF 20% 16V	
					S	C6229	1-114-167-11	ELECT 1200uF 2.5V	
					S	C6230	1-114-167-11	ELECT 1200uF 2.5V	
					S	C6231	1-114-167-11	ELECT 1200uF 2.5V	
					S	C6232	1-114-167-11	ELECT 1200uF 2.5V	
					S	C6336	1-114-251-21	TANTAL. CHIP 470uF 20% 2.5V	
					S	C6341	1-114-251-21	TANTAL. CHIP 470uF 20% 2.5V	
					S	C6342	1-114-251-21	TANTAL. CHIP 470uF 20% 2.5V	
					S	C6343	1-114-251-21	TANTAL. CHIP 470uF 20% 2.5V	
					S	C6344	1-114-251-21	TANTAL. CHIP 470uF 20% 2.5V	
					S	C6369	1-112-561-21	TANTAL. CHIP 220uF 20% 2.5V	
					S	C6370	1-112-561-21	TANTAL. CHIP 220uF 20% 2.5V	
					S	C6371	1-112-561-21	TANTAL. CHIP 220uF 20% 2.5V	
					S	C6620	1-112-561-21	TANTAL. CHIP 220uF 20% 2.5V	
					S	C7179	1-128-964-91	TANTAL. CHIP 100uF 20% 6.3V	
					S	C7223	1-128-964-91	TANTAL. CHIP 100uF 20% 6.3V	
					S	C7253	1-128-964-91	TANTAL. CHIP 100uF 20% 6.3V	

SC	Ref. No.	Part No.	Description	Remark	SC	Ref. No.	Part No.	Description	Remark
< CONNECTOR >									
S	CN2401	1-820-793-11	CONNECTOR, SQUARE TYPE 12P		S	IC3501	6-710-212-01	IC BD3520FVM-TR	
S	CN2501	1-820-794-13	CONNECTOR, HDMI 20P		S	IC3502	6-710-206-01	IC MM1761KHBE	
S	CN3209	1-778-063-21	PIN, CONNECTOR (PC BOARD) 4P		S	IC3503	6-710-202-01	IC 88E6108-B2-LAR1C000-P123	
S	CN3219	1-820-657-11	CONNECTOR, FFC/FPC (ZIF) 15P		S	IC3801	8-753-265-45	IC CXD4302GB-T6	
S	CN3221	1-820-750-71	FFC/FPC CONNNECTOR (ZIF) 60P		S	IC4002	8-753-279-04	IC CXR713120-201GB-TL	
S	CN3301	1-820-671-12	CONNECTOR, USB (SOCKET) 8P		S	IC5001	6-710-156-01	IC ICS1493G-18LFT	
S	CN3302	1-820-671-12	CONNECTOR, USB (SOCKET) 8P		S	IC5002	6-710-157-01	IC ICS9218AGLFT	
S	CN3401	1-820-654-11	CONNECTOR, SATA 22P		S	IC5003	6-710-157-01	IC ICS9218AGLFT	
S	CN3501	1-820-763-12	JACK, MODULAR (WITH LED, PT)		S	IC5004	6-710-154-01	IC ICS9214DGLFT	
S	CN3701	1-820-786-11	CONNECTOR, FFC/FPC (ZIF) 33P		S	IC5005	6-701-979-01	IC TC7WB66FK (TE85R)	
S	CN4001	1-794-509-21	PIN, CONNECTOR (PC BOARD) 3P		S	IC6003	6-705-646-01	IC MB39A116PFT	
S	CN4003	1-820-789-11	PIN, CONNECTOR (PC BOARD) 2P		S	IC6004	6-710-166-01	IC PST3642UL	
S	CN4010	1-820-825-61	CONNECTOR, FFC/FPC 10P		S	IC6005	6-710-217-01	IC NCP511SN33T1G	
S	CN6004	1-820-723-11	CONNECTOR, BOARD TO BOARD 2P		S	IC6006	6-703-212-01	IC NCP511SN18T1	
S	CN6005	1-778-315-21	PIN, CONNECTOR (PC BOARD) 5P		S	IC6007	6-710-210-01	IC TPS73101DBVRG4	
< FUSE >									
S	\triangle F6001	1-576-679-11	FUSE, CHIP (3216) (5A/32V)		S	IC6008	6-703-212-01	IC NCP511SN18T1	
S	\triangle F6301	1-576-679-11	FUSE, CHIP (3216) (5A/32V)		S	IC6009	6-710-217-01	IC NCP511SN33T1G	
S	\triangle F6302	1-576-679-11	FUSE, CHIP (3216) (5A/32V)		S	IC6011	6-710-216-01	IC NCP511SN25T1G	
S	\triangle F6303	1-576-679-11	FUSE, CHIP (3216) (5A/32V)		S	IC6012	6-709-932-01	IC MM3141CNRE	
S	\triangle F6304	1-576-679-11	FUSE, CHIP (3216) (5A/32V)		S	IC6013	6-710-215-01	IC MM1562ZFBE	
< IC >									
S	IC1001	8-753-283-22	IC CXD2964AGB		S	IC6014	6-704-531-01	IC MM1591JFBEG	
S	IC1101	6-710-287-01	IC AD51/067ARMZ-REEL		S	IC6017	6-710-214-01	IC BD3521FVM-TR	
S	IC1201	6-710-256-01	IC EDX5116ACSE-3C-E		S	IC6019	6-703-629-01	IC NCP511SN15T1G	
S	IC1202	6-710-256-01	IC EDX5116ACSE-3C-E		S	IC6020	6-709-980-01	IC MM1593DFBEG	
S	IC1301	6-710-256-01	IC EDX5116ACSE-3C-E		S	IC6021	6-710-207-01	IC MM1591FFBEG	
S	IC1302	6-710-256-01	IC EDX5116ACSE-3C-E		S	IC6022	6-709-980-01	IC MM1593DFBEG	
S	IC2001	8-753-251-46	IC CXD2971GB		S	IC6023	6-710-166-01	IC PST3642UL	
S	IC2101	6-710-286-01	IC ADT7461A0002RMZR		S	IC6103	6-710-177-01	IC NCP5318FTR2G	
S	IC2102	6-710-158-01	IC ICS422AG-07LFT		S	IC6104	6-710-178-01	IC IP2003ATRPF	
S	IC2105	6-710-429-01	IC TC7WP3125FK (T5RSOF)		S	IC6105	6-710-178-01	IC IP2003ATRPF	
S	IC2108	6-710-430-01	IC ICS651MLFT		S	IC6106	6-710-178-01	IC IP2003ATRPF	
S	IC2402	6-702-257-01	IC MC78M09CDTRKG		S	IC6107	6-710-250-01	IC TC7SG08FU	
S	IC2403	8-759-391-69	IC MC78M05CDTRK		S	IC6200	6-710-212-01	IC BD3520FVM-TR	
S	IC2405	6-710-230-01	IC CX4351-CZZR		S	IC6201	6-710-177-01	IC NCP5318FTR2G	
S	IC2406	8-753-248-24	IC CXM4024R-T6		S	IC6202	6-710-178-01	IC IP2003ATRPF	
S	IC2407	6-709-980-01	IC MM1593DFBEG		S	IC6203	6-710-178-01	IC IP2003ATRPF	
S	IC2408	6-700-227-01	IC MM1561JFBEG		S	IC6204	6-710-250-01	IC TC7SG08FU	
S	IC2501	6-710-429-01	IC TC7WP3125FK (T5RSOF)		S	IC6301	6-703-249-01	IC SN105233DBTR	
S	IC3001	8-753-257-50	IC CXD2973GB		S	IC6302	6-710-197-01	IC TPS51117PWRG4	
S	IC3101	6-710-196-01	IC AD51/007Z-OREEL		S	IC6303	6-710-212-01	IC BD3520FVM-TR	
S	IC3302	6-806-870-01	IC BU9869W-02-TR		S	IC6304	6-710-211-01	IC BD3504FVM-TR	
S	IC3303	6-707-066-01	IC BD6517F		S	IC6305	6-710-212-01	IC BD3520FVM-TR	
S	IC3304	6-707-066-01	IC BD6517F		S	IC6600	6-710-208-01	IC MM3143BNRE	
S	IC3305	6-806-862-01	IC GL852-MSG02-MT		S	IC6601	6-710-216-01	IC NCP511SN25T1G	
S	IC3401	6-710-129-01	IC 88SA8040C0-TBC1C000-P107		S	IC6602	6-710-211-01	IC BD3504FVM-TR	
S	IC7002	6-710-690-01	IC K4R271669H-DCS8T		S	IC6603	6-700-227-01	IC MM1561JFBEG	
S	IC7003	6-710-690-01	IC K4R271669H-DCS8T		S	IC6605	6-710-484-01	IC MM1573ENRE	
S	IC7004	8-753-227-14	IC CXD98333GB		S	IC6606	6-708-708-01	IC MM1561FFBEG	
S	IC7301	6-710-433-01	IC CXD92086P		S	IC6607	6-710-205-01	IC MM1662YHBE	

SC	Ref. No.	Part No.	Description	Remark
< IC LINK >				
S △	PS3501	1-576-282-21	LINK, SQUARE CHIP TYPE IC (1.2A/72V)	
S △	PS6001	1-533-282-21	LINK, IC (2A/72V)	
< THERMISTOR (POSITIVE) >				
S △	TH2401	1-802-276-11	THERMISTOR, POSITIVE	
S △	TH2501	1-802-276-11	THERMISTOR, POSITIVE	
S △	TH3202	1-802-243-11	THERMISTOR, POSITIVE	
S △	TH3203	1-802-277-11	THERMISTOR, POSITIVE	
S △	TH3204	1-802-277-11	THERMISTOR, POSITIVE	
S △	TH3301	1-802-243-11	THERMISTOR, POSITIVE	
S △	TH3302	1-802-243-11	THERMISTOR, POSITIVE	
S △	TH3401	1-802-243-11	THERMISTOR, POSITIVE	
S △	TH3701	1-802-277-11	THERMISTOR, POSITIVE	
S △	TH3702	1-802-243-11	THERMISTOR, POSITIVE	
S △	TH4001	1-802-277-11	THERMISTOR, POSITIVE	
S △	TH4002	1-802-277-11	THERMISTOR, POSITIVE	
S △	TH6001	1-802-243-11	THERMISTOR, POSITIVE	
S △	TH6002	1-802-283-11	THERMISTOR, POSITIVE	
< SUPPRESSOR >				
S	VDR251	1-802-245-11	SUPPRESSOR, ESD	
S	VDR252	1-802-245-11	SUPPRESSOR, ESD	
S	VDR253	1-802-245-11	SUPPRESSOR, ESD	
S	VDR254	1-802-245-11	SUPPRESSOR, ESD	
S	VDR255	1-802-245-11	SUPPRESSOR, ESD	
S	VDR256	1-802-245-11	SUPPRESSOR, ESD	
S	VDR257	1-802-245-11	SUPPRESSOR, ESD	
S	VDR258	1-802-245-11	SUPPRESSOR, ESD	
S	VDR351	1-802-245-11	SUPPRESSOR, ESD	
S	VDR352	1-802-245-11	SUPPRESSOR, ESD	
S	VDR353	1-802-245-11	SUPPRESSOR, ESD	
S	VDR354	1-802-245-11	SUPPRESSOR, ESD	
S	VDR355	1-802-245-11	SUPPRESSOR, ESD	
S	VDR356	1-802-245-11	SUPPRESSOR, ESD	
S	VDR357	1-802-245-11	SUPPRESSOR, ESD	
S	VDR358	1-802-245-11	SUPPRESSOR, ESD	
< VIBRATOR >				
S	X2101	1-813-876-11	VIBRATOR, CRYSTAL (24.576MHz)	
S	X3301	1-813-877-11	VIBRATOR, CRYSTAL (12MHz)	
S	X3402	1-813-052-21	VIBRATOR, CRYSTAL (25MHz)	
S	X3501	1-813-052-21	VIBRATOR, CRYSTAL (25MHz)	
S	X4001	1-781-768-21	VIBRATOR, CRYSTAL (16.9344MHz)	
S	X4002	1-781-786-21	VIBRATOR, CRYSTAL (32.768kHz)	
S	X5001	1-813-875-11	VIBRATOR, CRYSTAL (14.31818MHz)	

SC	Ref. No.	Part No.	Description	Remark

S △		A-1226-216-A	CSW-001 COMPL (SERVICE)	

S △		A-1268-384-A	CW1-001 COMPL (H) (SERVICE)	

SC	Ref. No.	Part No.	Description	Remark	SC	Ref. No.	Part No.	Description	Remark
					< FERRITE BEAD >				