

Sony Corporation of America  
 Business and Professional Group  
 Technical Publications  
 677 River Oaks Pkwy, San Jose, California 95134

VTR

Date: **March 23, 1992**

Subject: **PARTS REGISTRATION—REAR COVER**

Model: **PVM-5310**

Serial No: **ALL**

**DESCRIPTION**

Add the rear cover part number to the PVM-5310 Service Manual as shown in Figure 1.

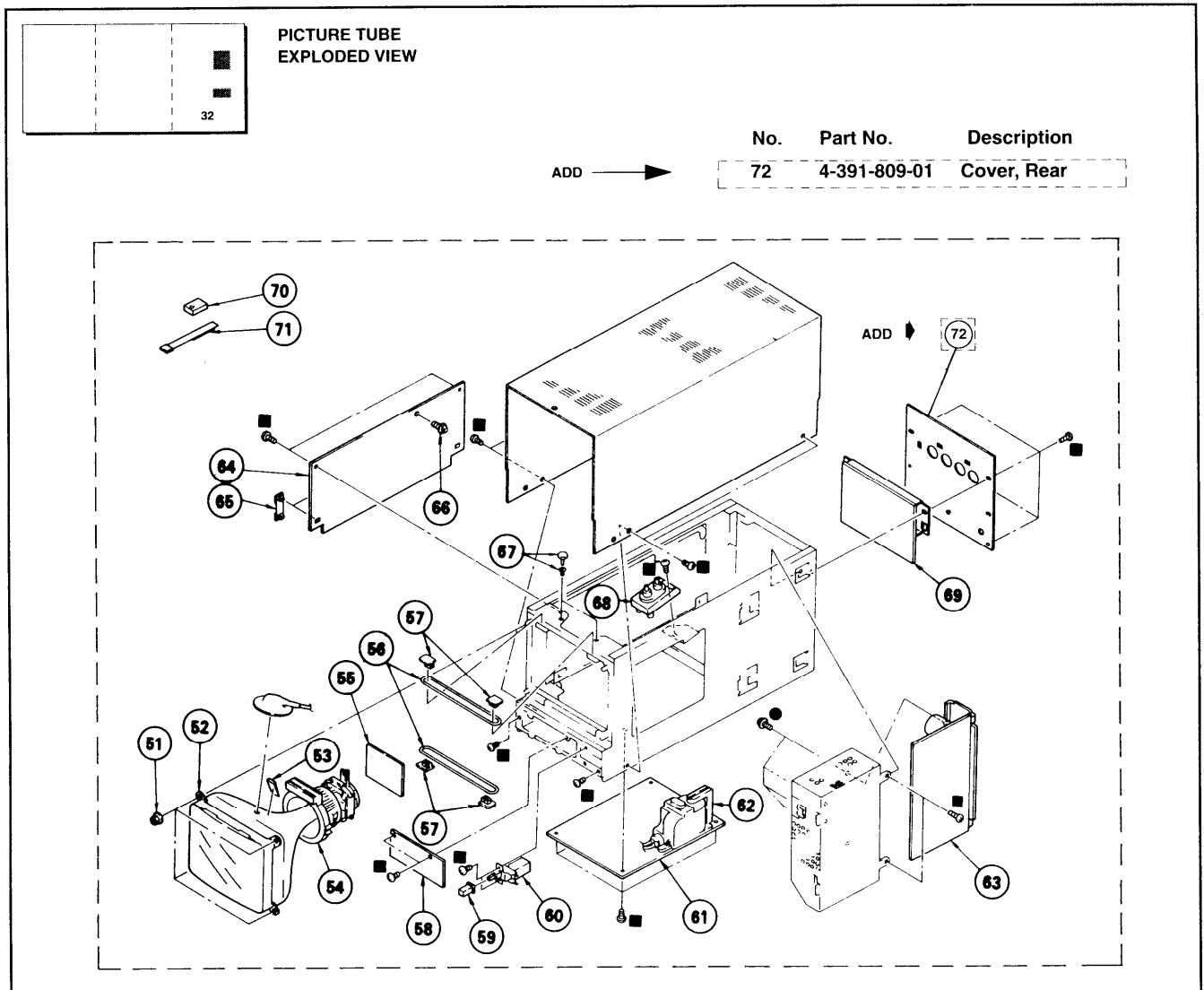


Figure 1