



Video Products Technical Bulletin 30-2008-129

DATE: August 4, 2008

SUBJECT: LED TURNS OFF WHEN CONNECTED IN
DAISY-CHAIN CONFIGURATION

MODEL: ***BVM-D14H1A***
BVM-D14H1E
BVM-D14H1U
BVM-D20F1A
BVM-D20F1E
BVM-D20F1U
BVM-D24E1WA
BVM-D24E1WE
BVM-D24E1WU
BVM-D32E1WA
BVM-D32E1WE
BVM-D32E1WU
BVM-D9H1A
BVM-D9H1E
BVM-D9H1U

SERIAL NO: ALL

Italicized information in green applies to customers outside the United States.

DESCRIPTION

The LED of BKM-10R (or BKM-11R) may turn OFF when a BVM-D9H1 (or BVM-D14H1) series unit is connected to a BVM-D32E1W (or BVM-D24E1W, BVM-D20F1) series unit in a daisy-chain configuration using the REMOTE OUT of BVM-D9H1.

When connecting BVM series monitors in a daisy-chain configuration, connect them as follows. (See Figure 1.)

1. Connect BKM-10R (or BKM-11R) to the BVM-D32E1W (BVM-D20F1, BVM-D24E1W) series unit.
2. Connect the REMOTE OUT of BVM-D32E1W to the other monitors to establish the daisy-chain configuration.

NOTE: Do not connect BKM-10R (or BKM-11R) to BVM-D9H1 first; connect BKM to BVM-D32E1W (or BVM-D24E1W, BVM-D20F1) first as shown in Figure 1.

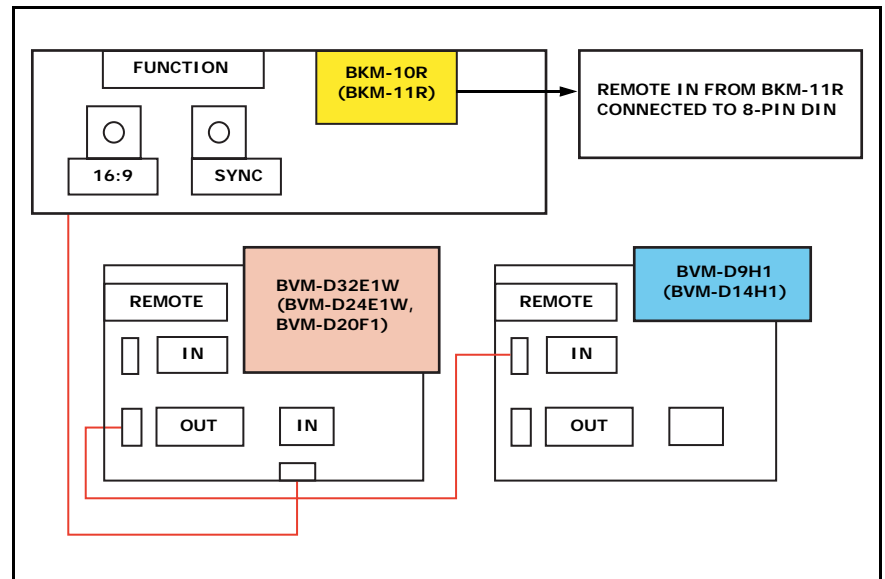


Figure 1

DPMO07-024