



Display

Video Products Technical Bulletin 30-2002-188

DATE: **October 7, 2002**SUBJECT: **CHANGE IN G2 ADJUSTMENT**

MODEL: **PVM-14N5A**
PVM-14N5E
PVM-14N5MDE
PVM-14N5U
PVM-14N6A
PVM-14N6E
PVM-14N6U
PVM-20N5A
PVM-20N5E
PVM-20N5U
PVM-20N6A
PVM-20N6E
PVM-20N6U
SSM-14N5A
SSM-14N5E
SSM-14N5U
SSM-20N5A
SSM-20N5E
SSM-20N5U

SERIAL NO: **ALL**

Italicized information in green applies to customers outside the United States.

DESCRIPTION

The G2 adjustment has changed. Correct the G2 adjustment in the service manual to reflect the adjustment that follows.

G2 ADJUSTMENT

1. Receive a 525 or 625 entire black signal.
2. In Service mode, set items as shown in Table 1.

Table 1

No.	Item	Data
33	SUB BRT CVBS	31
39	C/O R ROUGH	3
40	C/O G ROUGH	3
41	C/O B ROUGH	3
42	C/O OFFSET CVBS	31
43	C/O R FINE CVBS	31
44	C/O G FINE CVBS	31
45	C/O B FINE CVBS	31
46	DRIVE R CVBS	31
47	DRIVE G CVBS	31
48	DRIVE B CVBS	31

3. Connect the probe of an oscilloscope to the collector of:
 - Q713
 - Q714
 - Q715

(See Figure 1.)

4. Observing the waveform at the collector, adjust RV701 (G2) so that the highest black level for R, G, and B reaches the following voltage levels:

- 20-inch CRT (CB board): $172 \pm 1V$
- 14-inch CRT (8-738-343-□, blue CRT label)
(CA board): $155 \pm 1V$
- 14-inch CRT (8-738-363-□, orange CRT label)
(CA board): $150 \pm 1V$

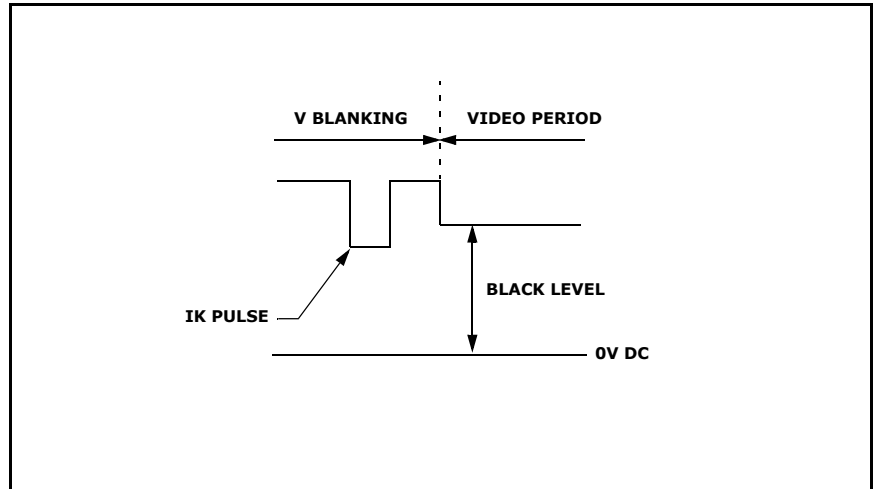


Figure 1