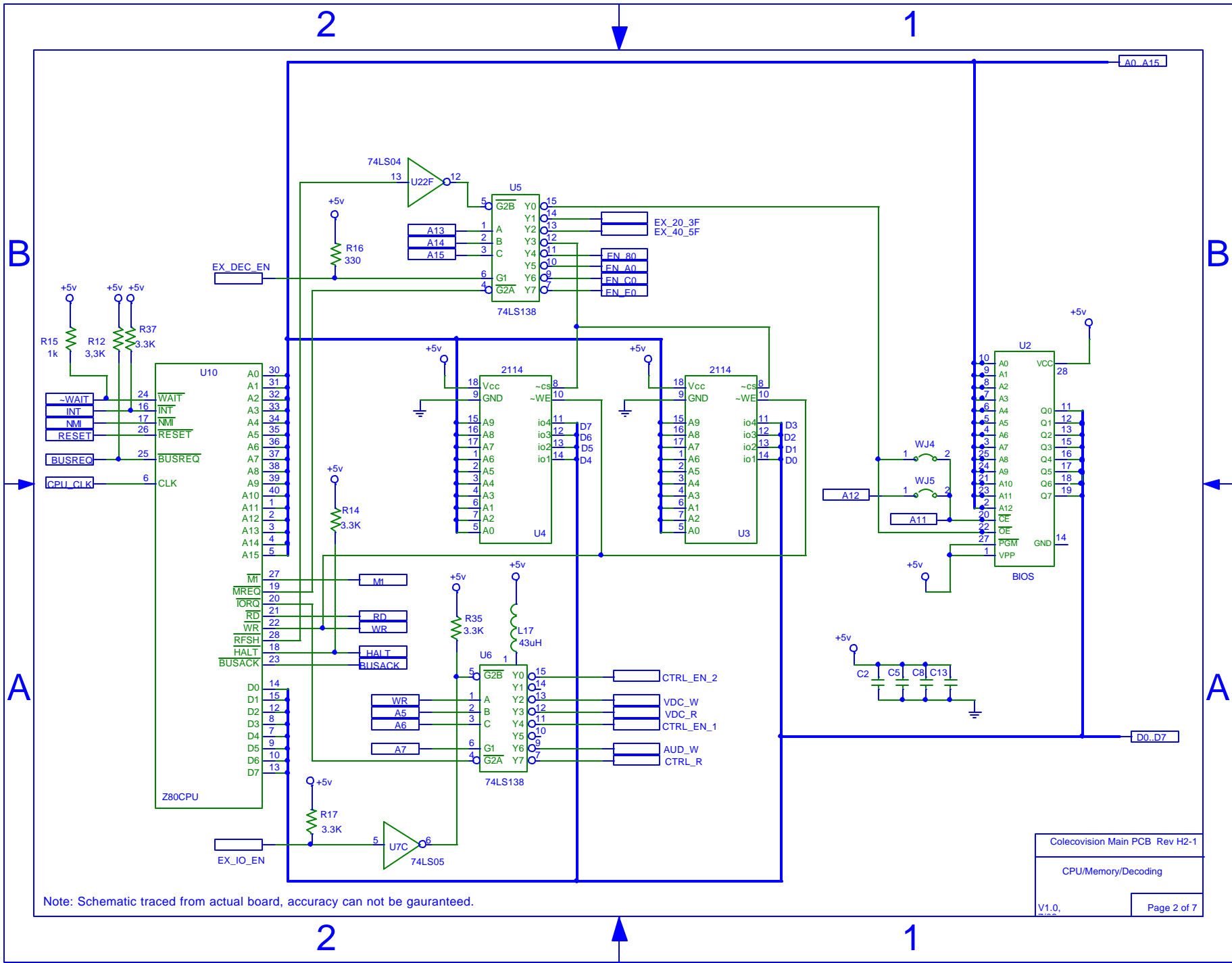
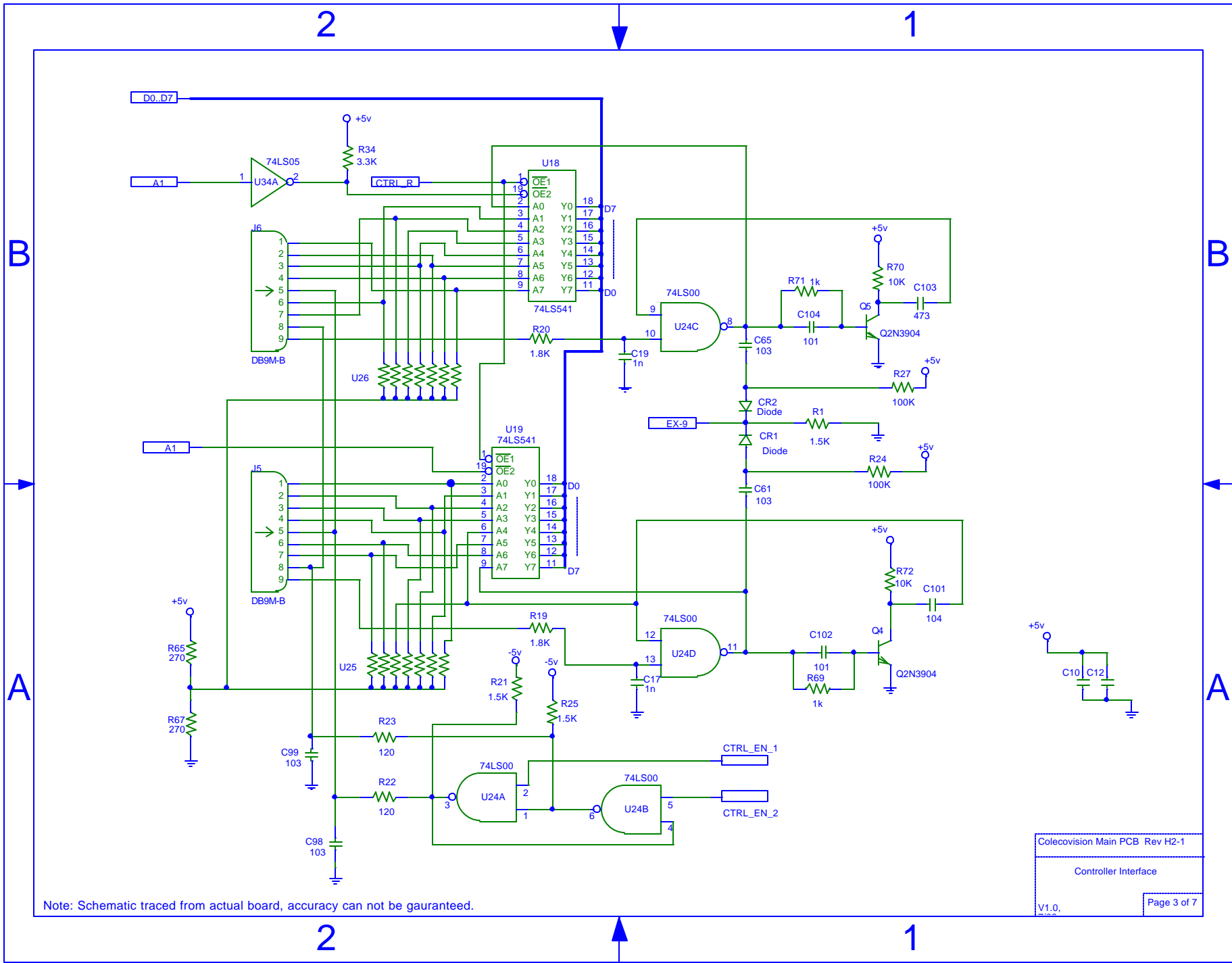
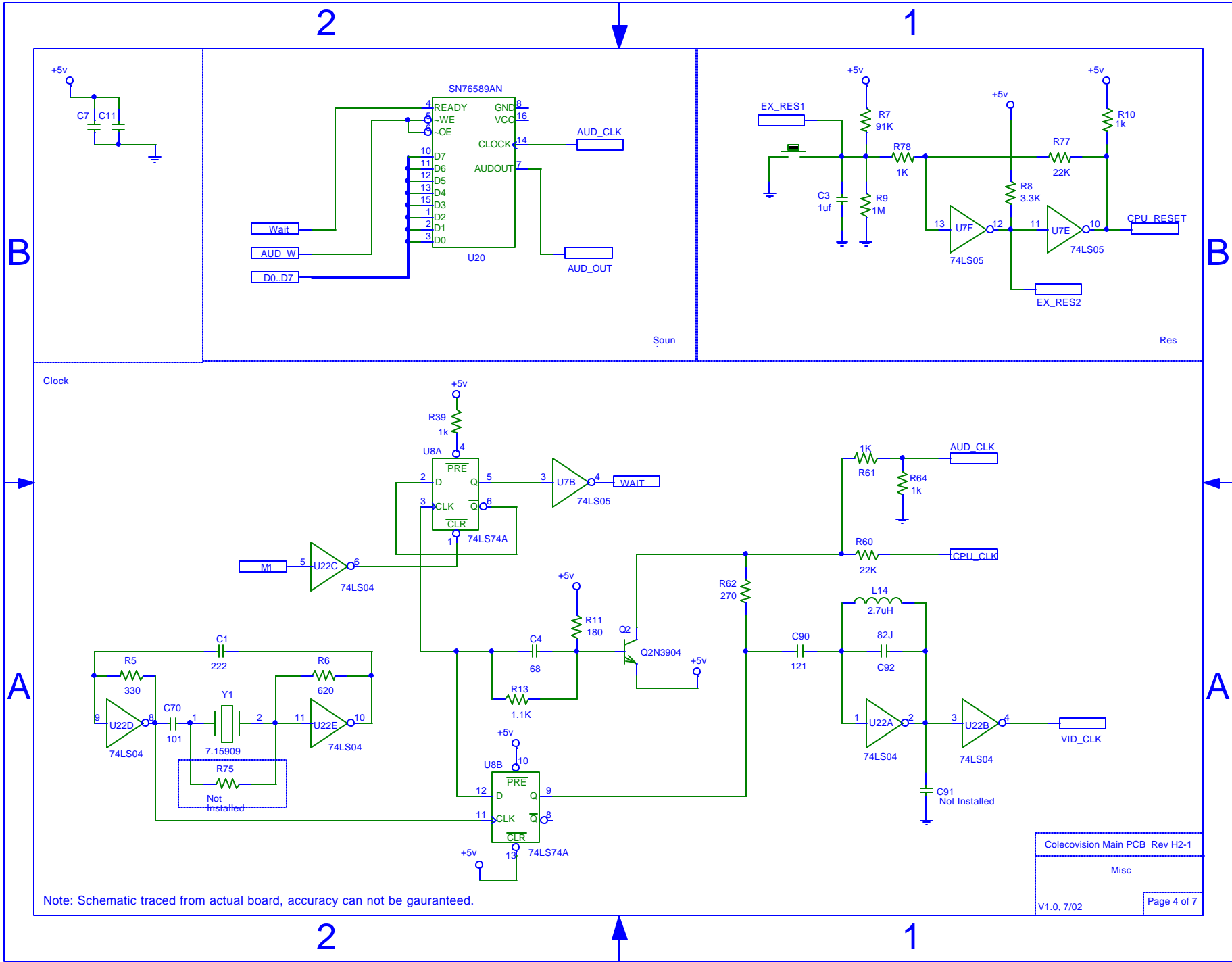


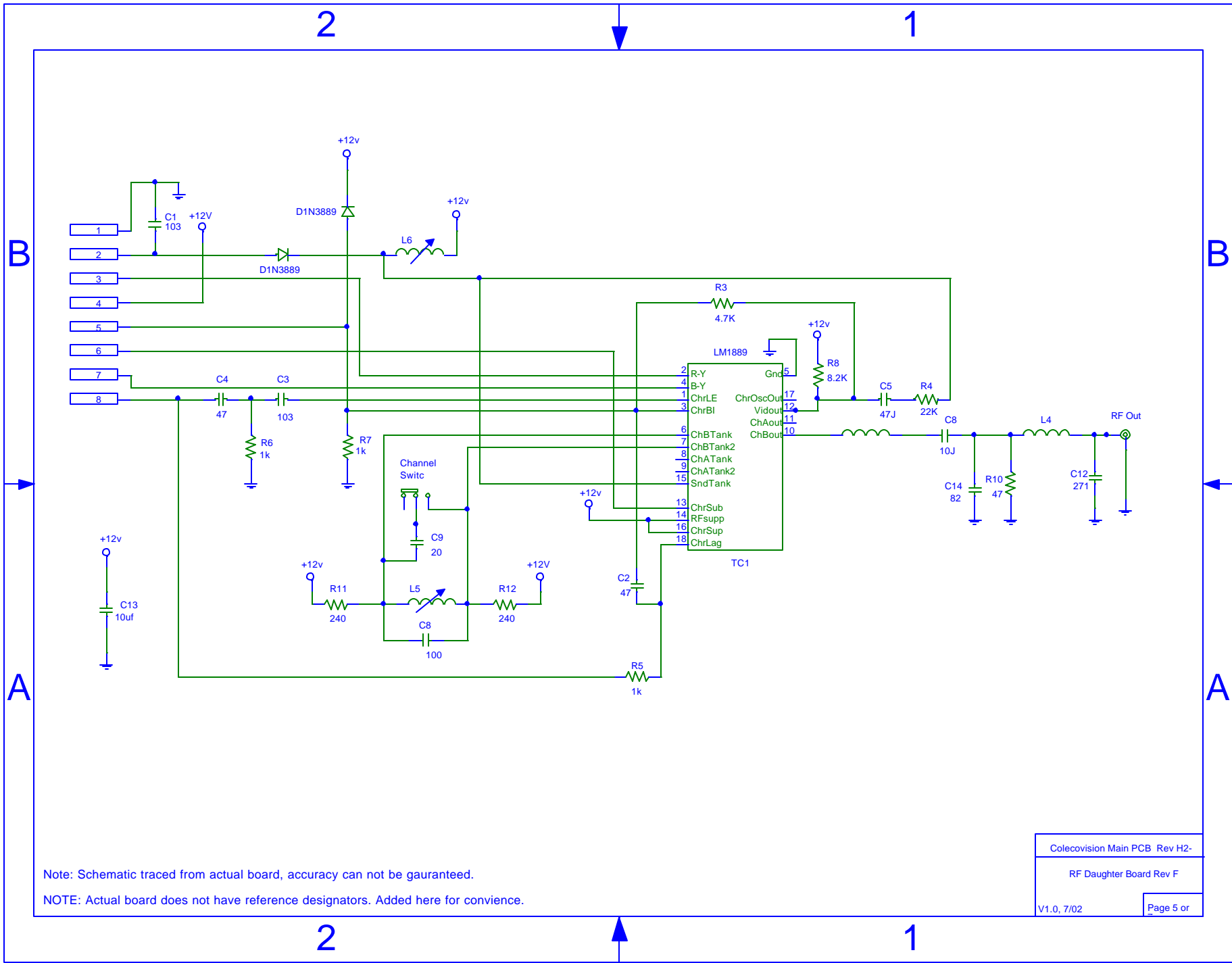
Note: Schematic traced from actual board, accuracy can not be guaranteed.



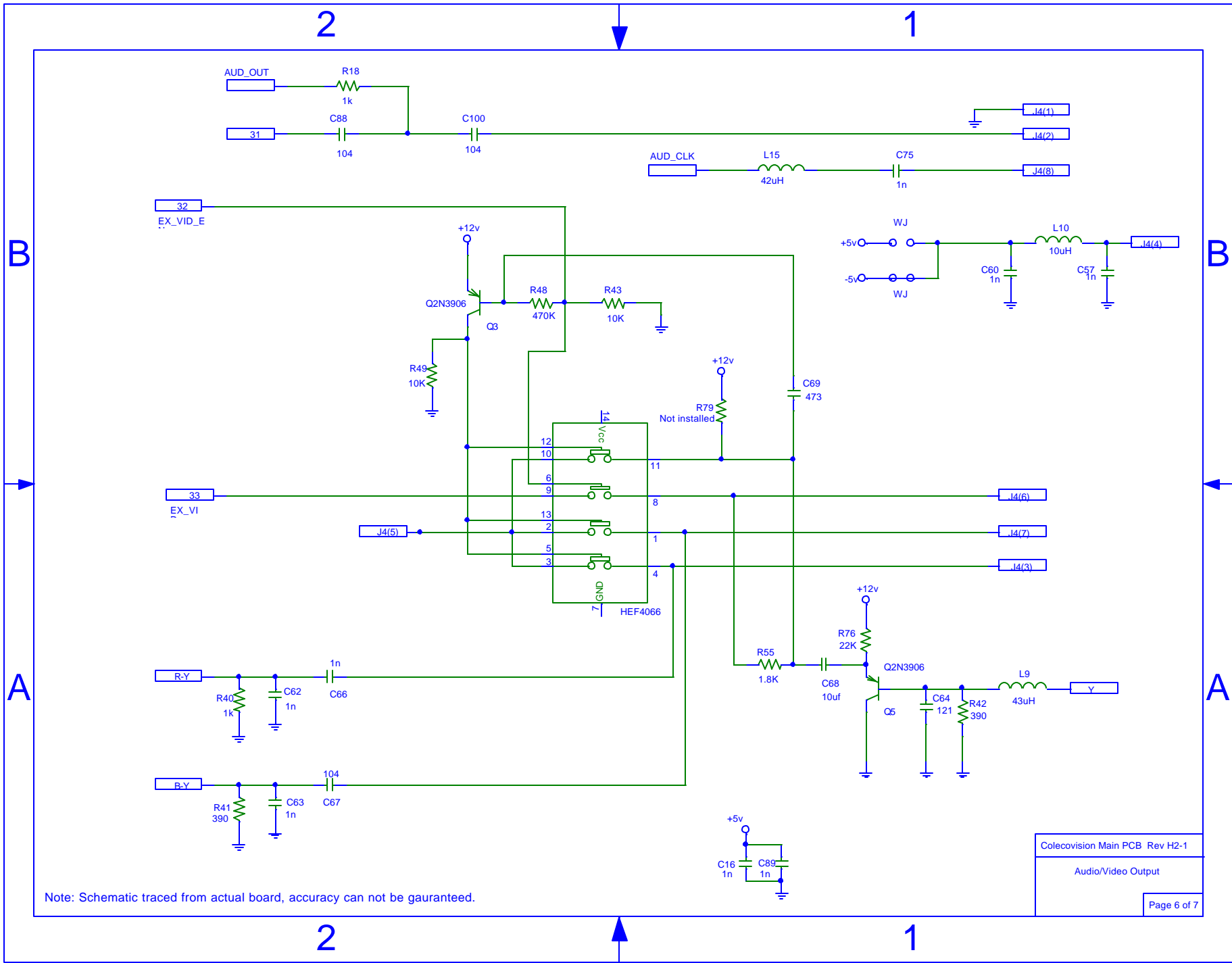
Note: Schematic traced from actual board, accuracy can not be guaranteed.

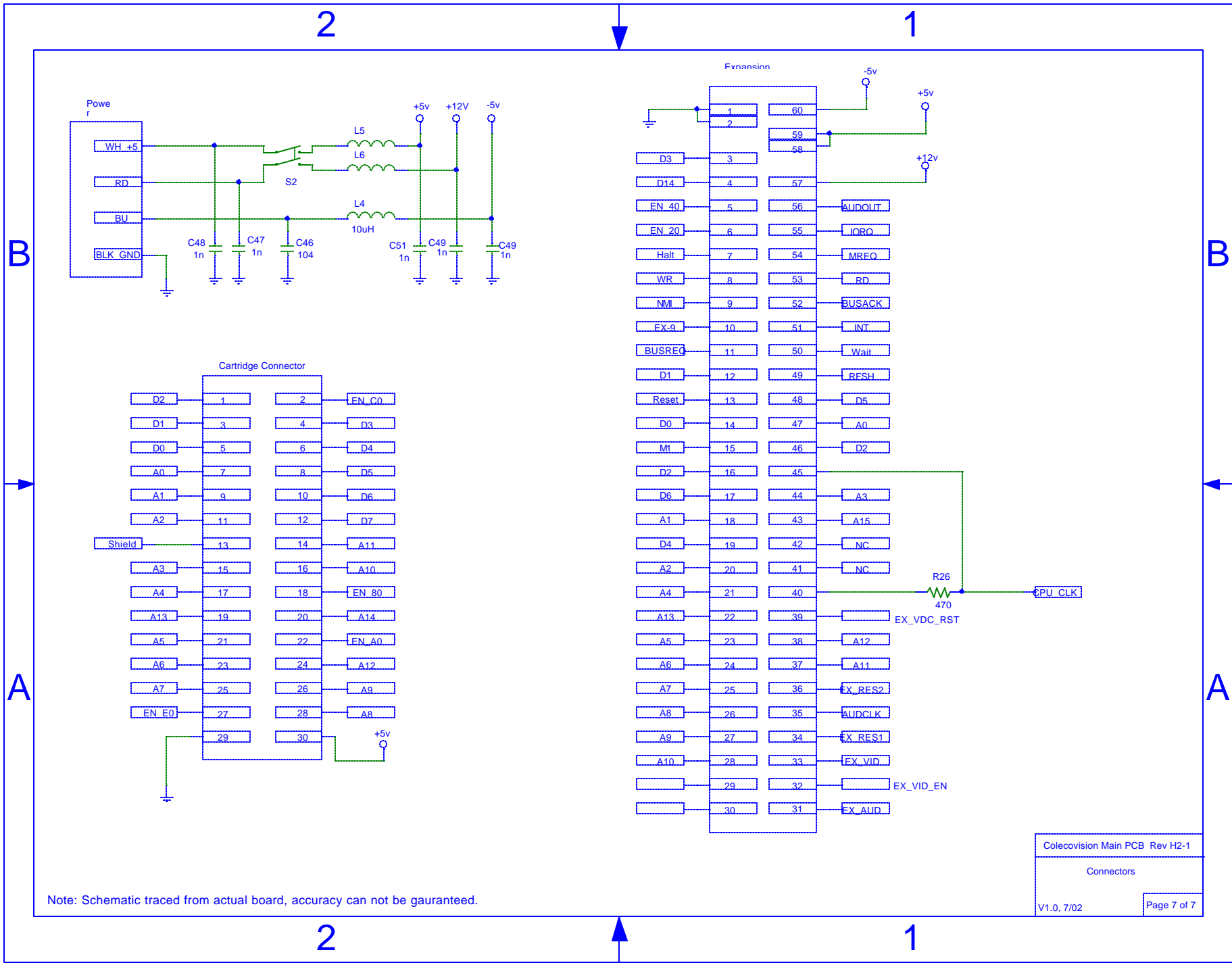






Note: Schematic traced from actual board, accuracy can not be gaurenteed.
 NOTE: Actual board does not have reference designators. Added here for convience.





Note: Schematic traced from actual board, accuracy can not be guaranteed.