



Display

Date: **November 27, 2000**Subject: **NOTES ON MISCONNECTION OF
MODELS OPERATING ON EXTERNAL DC
POWER SUPPLY**Model: **BVM-8044QD, BVM-8045QD, *BVM-9044D*
BVM-9045D, PVM-5041Q, *PVM-6041QM*
PVM-8041Q, PVM-8042Q, PVM-8044Q
PVM-8045Q, *PVM-9041QM, PVM-9042QM*
*PVM-9044QM, PVM-9045QM***Serial No: **ALL**

Italicized information in green applies to Europe, Middle East and Africa.

DESCRIPTION

The GND lead of the monitor's 12V input may burn when an external DC supply is connected incorrectly as follows:

- The positive (+) terminal of the external power supply accidentally touches chassis of the PVM monitor. See Figure 1.
- Connection to external DC power supply is incorrect in connecting either PVM monitor or other DC operating equipment, as both are connected to the same external DC power supply. See Figure 2.
- PVM monitor is connected in reverse polarity to a car battery. See Figure 3.

To correct this symptom perform the following procedure.

PROCEDURE

1. Check the operating conditions (connection method and external DC power supply in use).
2. Check all connections, and ensure the PVM monitor is not subject to misconnection and/or misuse.

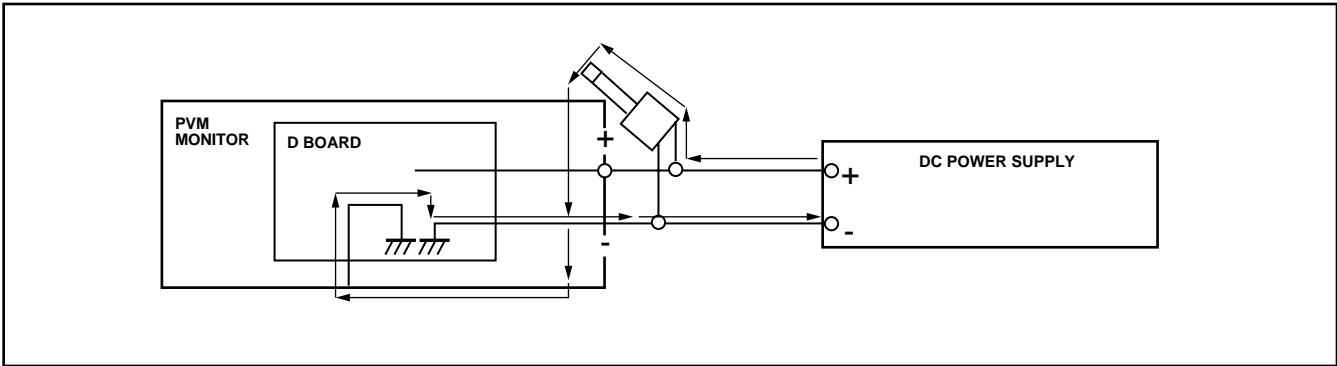


Figure 1

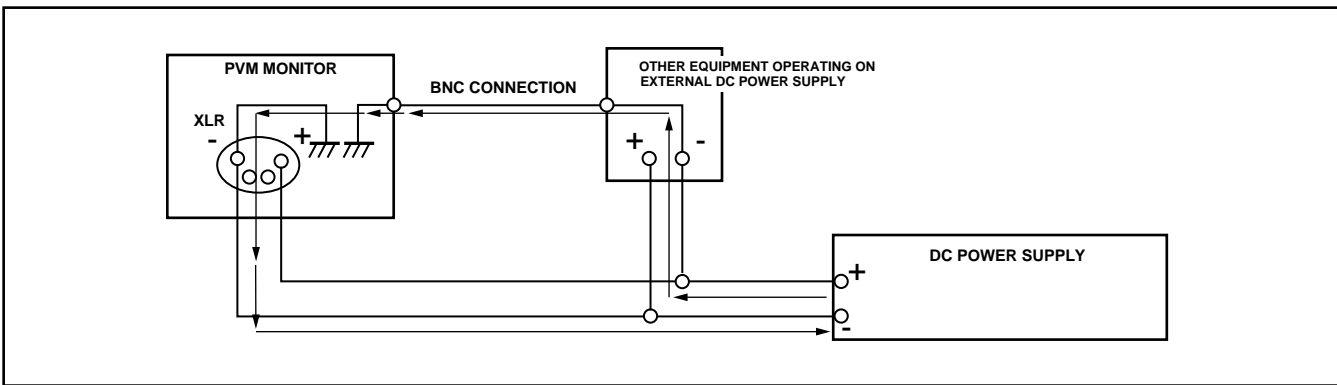


Figure 2

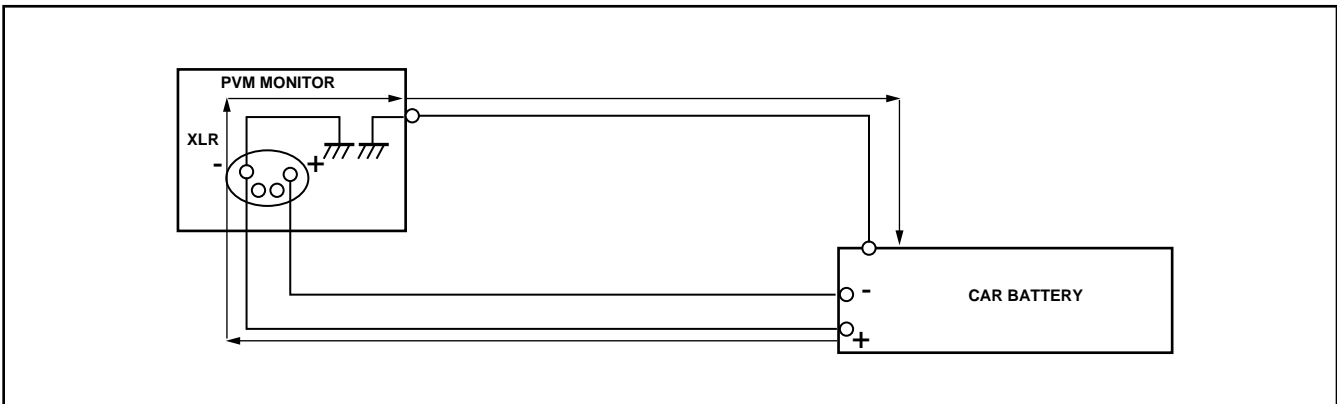


Figure 3