



MODEL

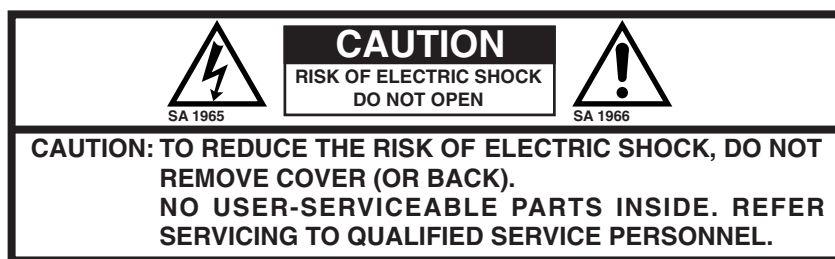
HTM-1517R

MULTI-FORMAT
COLOR MONITOR

SERVICE MANUAL

(FOR FIELD ENGINEER)

Ikegami



The lightning flash with arrowhead inside a triangle is intended to warn the user that parts inside the product are dangerous and many cause electric hazards.



The exclamation mark inside a triangle is intended to inform users that important operating and servicing instructions are provided with the equipment.

WARNING: FOR CONTINUED SAFETY, REPLACE SAFETY CRITICAL COMPONENTS ONLY WITH MANUFACTURE'S RECOMMENDED PARTS (REFER TO SERVICE LITERATURE).

DECLARATION of CONFORMITY:

The "CE" mark means the products as mentioned below will meet the intent of the following Directives and Standards.

Inrush current according to EN55103-1 Annex B is 47.5A.

Directives : 93/68/EEC, 89/336/EEC, 92/31/EEC for EMC (electromagnetic compatibility)
73/23/EEC for Low voltage (Safety)

Standards : EN55103-1-E4, EN55103-2-E4, EN60950-1

WARNING: TO REDUCE THE RISK OF ELECTRIC SHOCK, DO NOT EXPOSE THIS EQUIPMENT TO RAIN OR WATER.

Instructions for Disposal of Electric and Electronic Equipment in Private Household



Disposal of used Electric and Electronic Equipment (Applicable in the European Union and other European countries with separate collection systems)

This symbol on the product, or in the related documents in the package, indicates that this product shall not be treated as normal household waste. Instead, it should be taken to a proper applicable collection point or depot for the recycling of electric and electronic equipment.



By ensuring this product is disposed of correctly, you will help prevent possible negative consequences for the environment and human health, which could otherwise be caused by inappropriate waste handling of this product. The recycling of materials will help to conserve natural resources.

For more detailed information about recycling of this product, please contact your local city authority, your household waste disposal service or the place where you purchased the product.

NOTE:
This equipment has been tested and found to comply with the limits for a Class A digital device, pursuant to Part 15 of the FCC Rules. These limits are designed to provide reasonable protection against harmful interference when the equipment is operated in a commercial environment. This equipment generates, uses, and can radiate radio frequency energy and, if not installed and used in accordance with the instruction manual, may cause harmful interference to radio communications. Operation of this equipment in a residential area is likely to cause harmful interference in which case the user will be required to correct the interference at his own expense.

CAUTION;
ANY CHANGES OR MODIFICATIONS NOT EXPRESSLY APPROVED BY THE PART RESPONSIBLE FOR COMPLIANCE COULD VOID THE USERS AUTHORITY TO OPERATE THE EQUIPMENT.

IMPORTANT SAFETY INSTRUCTION

1. General

- 1) Read all instructions provided.
- 2) Save these instructions for future use.
- 3) Follow all warnings and instructions marked on the television equipment.
- 4) Never insert objects of any kind into this television monitor through cabinet slots as they may come in contact with dangerous voltage points or short out parts, resulting in fire or electric hazards. Never spill liquid of any kind on the television monitor.
- 5) Do not attempt to service this television monitor yourself as operating or removing covers may expose you to dangerous voltage or other hazards. Refer all servicing to qualified service personnel.
- 6) Do not use attachments not recommended by the television equipment manufacturer as they may result in the risk of fire, electric shock, or injury to persons.
- 7) This television monitor has been preadjusted to meet the respective broadcasting standard signals. So, it cannot be used with the signals of different broadcasting standards.
- 8) When keeping or transporting the unit for a long time, pack it in the supplied carton or equivalent.

2. Power supply

- 1) This television equipment should be operated only from the type of power source indicated on the marking label.
- 2) This television equipment is provided with a three-wire grounding type plug with a third (grounding) pin. This plug will only fit into a grounding-type power outlet. This is a safety feature. If you are unable to insert the plug into the outlet, contact your electrician to replace your obsolete outlet.
Do not defeat the safety purpose of the grounding-type plug.

- 3) When connecting and disconnecting the power cable, be sure to hold the plug.
- 4) Do not allow anything to rest on the power cord. Do not place this television equipment where the cord will be abused by persons walking on it.
- 5) For added protection for this television equipment during a lightning storm, or when it is left unattended and unused for long periods of time, unplug it from the wall outlet. This will prevent damage to the equipment due to lightning and power-line surges.
- 6) Do not overload wall outlets and extension cords as this can result in fire or electric shock.

3. Usage and location

- 1) Do not use this television equipment near water - for example, near a bath tub, kitchen sink, or laundry tub, in a wet basement, or near a swimming pool, or the like.
- 2) Do not place this television equipment on an unstable cart, stand, or table. The television equipment may fall, causing serious injury to children and adults, and serious damage to the equipment. Use only with a cart or stand recommended by the manufacture, or sold with the television equipment. Wall or shelf mounting should follow the manufacture's instructions, and should use a mounting kit approved by the manufacture.

Television equipment and cart combination should be moved with care. Quick stops, excessive force, and uneven surfaces may cause the equipment and cart combination to overturn.



IMPORTANT SAFETY INSTRUCTION

- 3) Slots and openings in the cabinet and the back or bottom are provided for ventilation, and to ensure reliable operation of the monitor and to protect it from overheating, these openings should never be blocked or covered. The openings should never be blocked by placing the television equipment on a bed, sofa, rug, or other similar surface. (This television equipment should never be placed near or over a radiator or heat register.)

This television equipment monitor should not be placed in a built-in installation such as a bookcase unless proper ventilation is provided.

- 4) Avoid operating or placing (keeping) in a hot (+40°C or over) or cold (less than 0°C), high vibration, or dusty place. Avoid operating or placing (keeping) in a place exposed to direct sunlight, otherwise the CRT surface may deteriorate.
- 5) If an image of extremely high brightness is displayed on the screen for a long time, the CRT may get burned in.

4. Cleaning

- 1) Unplug this television equipment from the wall outlet before cleaning. Do not use liquid cleaners or aerosol cleaners. Use a damp cloth for cleaning.
- 2) Do not use thinner or benzene for cleaning. Otherwise, the cabinet may deform or the paint may peel away.

5. Repair

- 1) Unplug this television monitor from the wall outlet and refer servicing to qualified service personnel under the following conditions:
 - a. When the power cord or plug is damaged or frayed.
 - b. If liquid has been spilled into the television.
 - c. If the television monitor has been exposed to rain or water.
 - d. If the television does not operate normally by following the operating instructions. Adjust only those controls that are covered by the operating instructions as improper adjustment of other controls may result in damage and will often require extensive work by a qualified technician to restore the television monitor to normal operation.
 - e. If the television monitor has been dropped or the cabinet has been damaged.
 - f. When the monitor exhibits a distinct change in performance - this indicates a need for service.
- 2) When replacement parts are required, be sure the service technician has used replacement parts specified by the manufacture that have the same characteristics as the original part. Unauthorized substitutions may result in fire. Electric shock, or injury to persons.
- 3) Upon completion of any service or repairs to this monitor, ask the service technician to perform routine safety checks to determine that the television is in safe operating condition.
- 4) For repair service, contact **Ikegami's** authorized sales representative or **Ikegami** service desk directly.

PRECAUTIONS FOR OPERATIONS

- 1) Never let this unit fall or subject it to strong shock.
- 2) Do not remove the cabinet unless necessary. High-voltage parts are contained in the cabinet and they are very dangerous if you touch them. Only qualified service engineers are allowed to adjust the internal parts of the cabinet.
- 3) This color monitor has been adjusted to signals conforming to each broadcasting standard.
It cannot be used for signals of different broadcasting standards.
Be sure to operate the color monitor within the voltage range marked on its back.
- 4) If cabinet or screen is dirty, wipe with soft cloth. At this time, avoid using benzine or thinner.
Otherwise, the paint may peel away.
- 5) Note that, if video signals with high luminance are monitored on the CRT over a long period of time, the CRT may burn in the image.
- 6) Avoid using or storing this unit in the following places:
 - Hot (+40°C or more) or cold (0°C or less) places.
Especially where this unit may be exposed to the direct rays of the sun; the cabinet may deform and the fluorescent screen of the CRT may deteriorate.
 - Humid and dusty places.
 - Places where there is considerable vibration.
 - Places exposed to rain or water.
 - When storing or transporting this unit, pack it in the supplied carton or equivalent.
- 7) If no image can be monitored even after performing user adjustment or the unit appears faulty, do not dismantle this unit by yourself. In such cases, contact the **Ikegami** service desk.
- 8) Should this unit fail within one year after delivery, it will be repaired free of charge unless the malfunction was caused by mishandling or misuse of the user. However, the fuses are not covered by the warranty.
- 9) The specifications and appearance of this unit may be subject to change for further improvement without prior notice.

Precautions Upon Use

To ensure safe use of this monitor, read this manual carefully, paying particular attention to the following items.

1. Do not use any power supply other than the regulation AC power.

The socket-outlet shall be installed near the equipment and shall be easily accessible.

2. Do not subjecting the monitor to strong impact.

Otherwise, it will result not only in malfunction, but explosion of the CRT as well.

3. Avoid use and storage in the following places.

*** Locations which do not meet the designated ambient temperature**

installing the monitor near equipment generating heat or in cabinets with closed vents causes the internal temperature of the monitor rise, which not only reduces the life of the electrical parts but also causes malfunction.

*** Locations with rain, snow, or excess humidity**

Locationing the monitor in the above conditions will cause malfunction.

*** Strong magnetic fields**

4. Avoid exposing the CRT to sunlight

Subjecting the CRT to direct sunlight for a long period of time deteriorates the florescent faces of the CRT. So avoid use outdoors.

5. Avoid exposing to high luminance fixed image for long periods of time

Take care as this will cause burning of the CRT.

Also avoid displaying remote numbers in the remote entry state (remote numbers are displayed when the wireless remote controller is used) for long periods of time. When not using the wireless controller, set the remote number displayed on the screen to OFF.

Guarantee

Malfunctions occurring in normal use within one year from the date of purchase will be repaired free of charge. This does not apply to the fuses.

If no image is displayed after user adjustment or if malfunction is suspected, contact your nearest Ikegami dealer.

Accessories

This monitor is provided with the following accessories.

Check that none is missing.

1. Operation manual
2. AC cable
3. Remote connector

1. MAINTENANCE and ADJUSTMENT

When the specified performance can no longer be obtained with the adjusters on the front panel or when parts have been replaced due to a malfunction, perform adjustment of the following parts.

When adjusting a board inserted into the slot section, use the EXTENDER BOARD (option).

A. MAIN CHASSIS

- Adjustment procedure 1-A-1
- Block Diagram 1-A-3
- Schematic Diagram 1-A-4

B. VIDEO SYSTEM

- Outline 1-B-1
- a. MOTHER BOARD
 - Adjustment procedure 1-B-2
 - Schematic Diagram 1-B-3
 - Parts Location 1-B-4
- b. MPU BOARD
 - Adjustment procedure 1-B-6
 - Block Diagram 1-B-7
 - Schematic Diagram 1-B-8
 - Parts Location 1-B-12
- c. VIDEO PROCESS BOARD
 - Adjustment procedure 1-B-13
 - Block Diagram 1-B-16
 - Schematic Diagram 1-B-17
 - Parts Location 1-B-20
- d. RGB OUT BOARD
 - Adjustment procedure 1-B-22
 - Schematic Diagram 1-B-23
 - Parts Location 1-B-24
- e. CRT SOCKET BOARD
 - Schematic Diagram 1-B-26
 - Parts Location 1-B-27

C. DEF and POWER SYSTEM

- Outline 1-C-1
- a. DEF BOARD
 - Adjustment procedure 1-C-2
 - Block Diagram 1-C-3
 - Schematic Diagram 1-C-4
 - Parts Location 1-C-6
- b. HV OUT BOARD
 - Schematic Diagram 1-C-8
 - Parts Location 1-C-9
- c. POWER UL BOARD
 - Adjustment procedure 1-C-10
 - Block Diagram 1-C-11
 - Schematic Diagram 1-C-12
 - Parts Location 1-C-13
- d. POWER EUR BOARD
 - Adjustment procedure 1-C-14
 - Block Diagram 1-C-15
 - Schematic Diagram 1-C-16
 - Parts Location 1-C-17

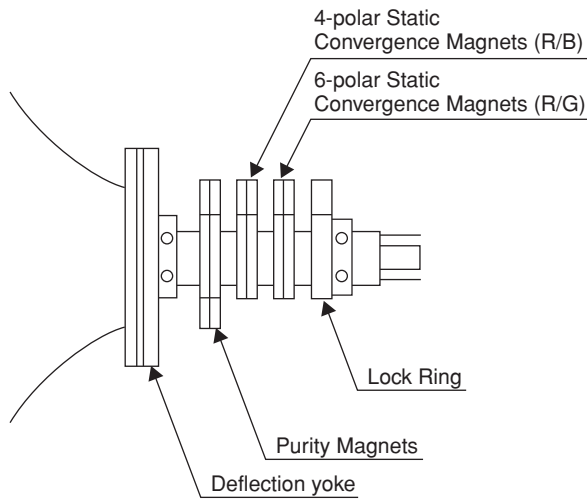
D. CONTROL SYSTEMS

- Outline 1-D-1
- Block Diagram 1-D-2
- a. FRONT PANEL BOARD
 - Schematic Diagram 1-D-3
 - Parts Location 1-D-4
- b. FRONT LEFT BOARD
 - Schematic Diagram 1-D-5
 - Parts Location 1-D-6
- c. CONTROL/VR BOARD
 - Schematic Diagram 1-D-8
 - Parts Location 1-D-9
- d. LED BOARD
 - Schematic Diagram 1-D-12
 - Parts Location 1-D-13

A. MAIN CHASSIS

(1) PURITY adjustment

The purity is adjusted to optimum at shipment. Normally, no adjustments are required. However perform adjustments if necessary.

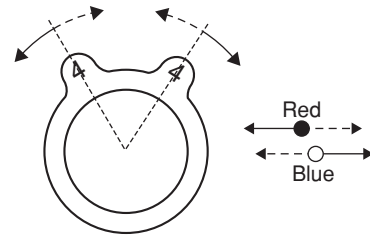


1. Select the flat field using the TEST switch.
2. Demagnetize the shadow mask using the DEGAUSS switch.
3. Set the screen to the green-only raster using the SCREENS switch.
4. Adjust the two purity magnets alternately, so that there are green vertical lines at the center of the screen.
5. While watching the screen, slide the deflection yoke forward so that the screen is an even green color.
6. Repeat for red-only and blue-only.
7. Adjust the purity to optimum using ROTATION.

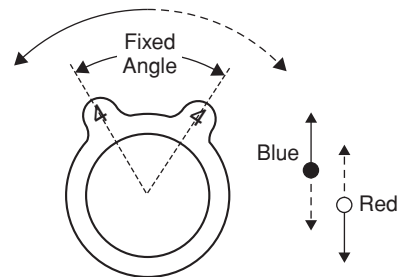
(2) CONVERGENCE adjustment

Before performing convergence adjustment, allow the monitor to warm up for at least 30 minutes. Select the cross hatch using the TEST switch.

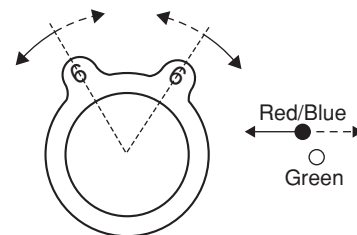
1. Loosen the lock ring.
2. Set to the red and blue screens using the SCREENS switch.
3. Observe the crossed part at the center of the screen. Adjust the angle of the two 4-polar magnets as shown in the figure below to adjust deviation of the red and blue vertical lines.



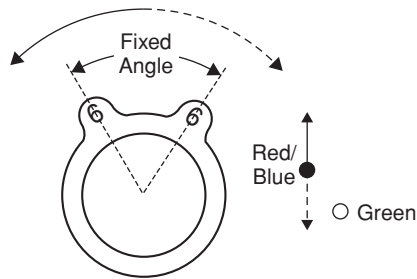
4. While keeping the angle at step 3, rotate the two magnets together and adjust the deviation of the horizontal lines.



5. Set all SCREEN switches to OFF to set the white screen.
6. Adjust the angle of the two 6-polar magnets to adjust the deviation of the red and blue vertical lines, and green vertical lines.



7. While keeping the angle at step 6, rotate the two magnets together and adjust the deviation of the horizontal lines.



8. Tighten the lock ring after completing of the center convergence.

(3) CRT replacement

The original replaceable CRT has a fixed deflection yoke.

This is no need to readjust the purity and convergence.

1. Remove the four screws fixing the top cover, and remove the cover.
2. Remove the eight screws fixing the right cover and left cover, and remove these covers.
3. Remove the anode cap of the CRT.
4. Remove the CRT SOCKET BOARD from the CRT.
5. Remove the deflection yoke connector (CN901) on the DEF BOARD.
6. Pull out the front panel on the front right side, disconnect the connector and take it out.
7. Disconnect the connector between FRONT LEFT PANEL and DEF BOARD.
8. Remove the four screws fixing the escutcheon, and remove the CRT together with the escutcheon.
Make sure that the neck of the CRT does not touch the main unit at this time.
9. Place a soft cloth below the escutcheon to prevent it from scratches. Place the CRT on a stable surface with the escutcheon down.
10. Assemble in the reverse procedure of the above from step 9 backwards to step 1.

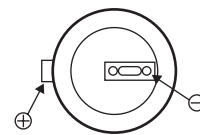
Re-adjustment after replacing the CRT

1. Adjusting the center of the screen
Refer to 4.10 (7) of the operation manual.
2. Adjusting the size of the screen
Refer to 4.10 (9) of the operation manual.
3. Adjusting the focus
Refer to 4.10 (5) of the operation manual.
4. Adjusting the white balance
Refer to 4.10 (3) of the operation manual.
5. Adjusting the trapezoid distortion and side pin
Refer to 4.10 (8) of the operation manual.

(4) BATTERY replacement

Before replacing the battery, note down the preset data.

1. Set the POWER switch to ON, wait for some time, and set it to OFF. (This charges the backup capacitor.)
2. Remove the MPU BOARD from the leftmost slot on the rear, and replace the battery.
This setting is held it exchange is able to complete within least four minutes after it turns OFF the POWER switch.
3. Insert the MPU BOARD back into its slot.
Set the POWER switch to ON, and check that the screen is normal.

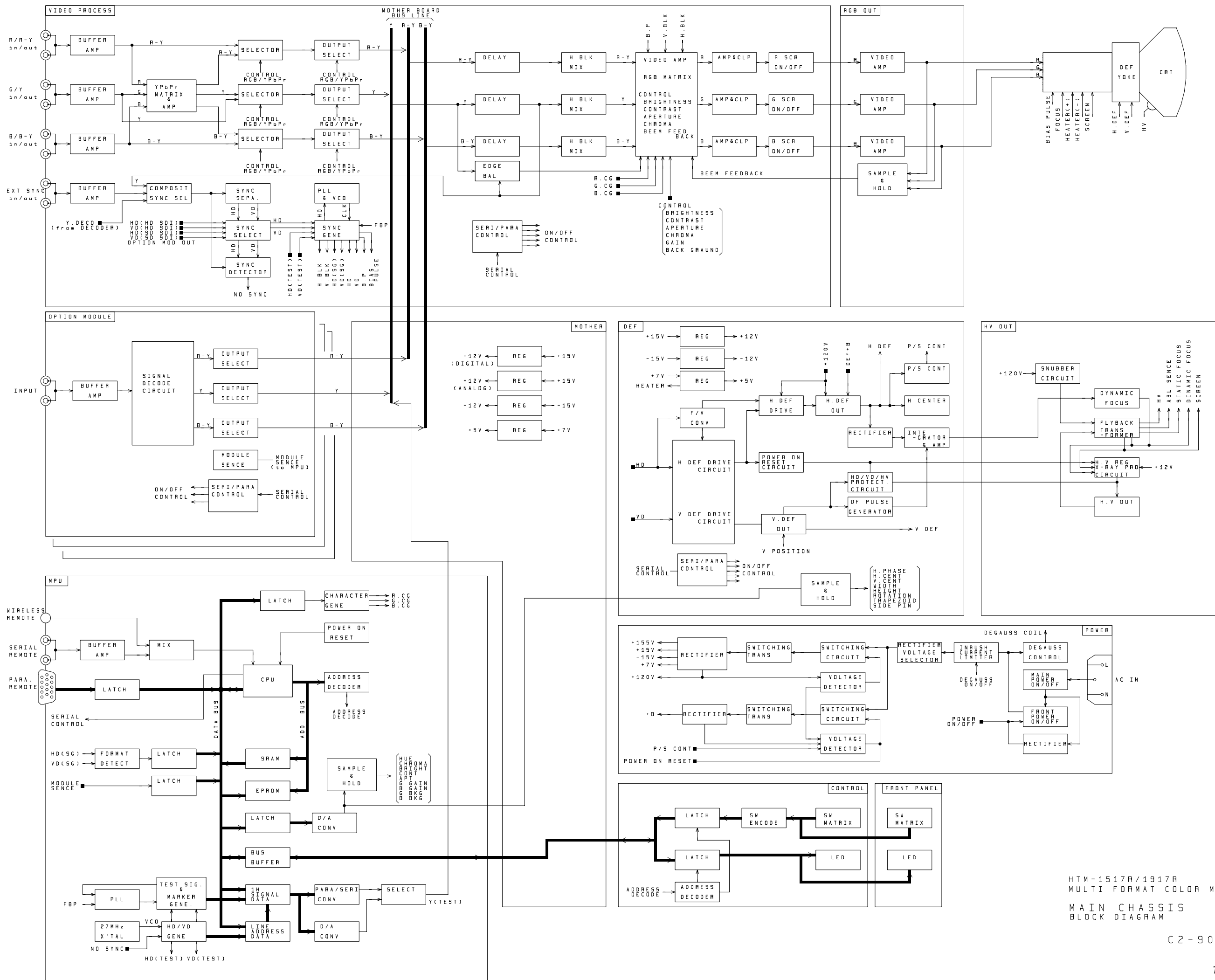


⚠ CAUTION

Danger of explosion if battery is incorrectly replaced.

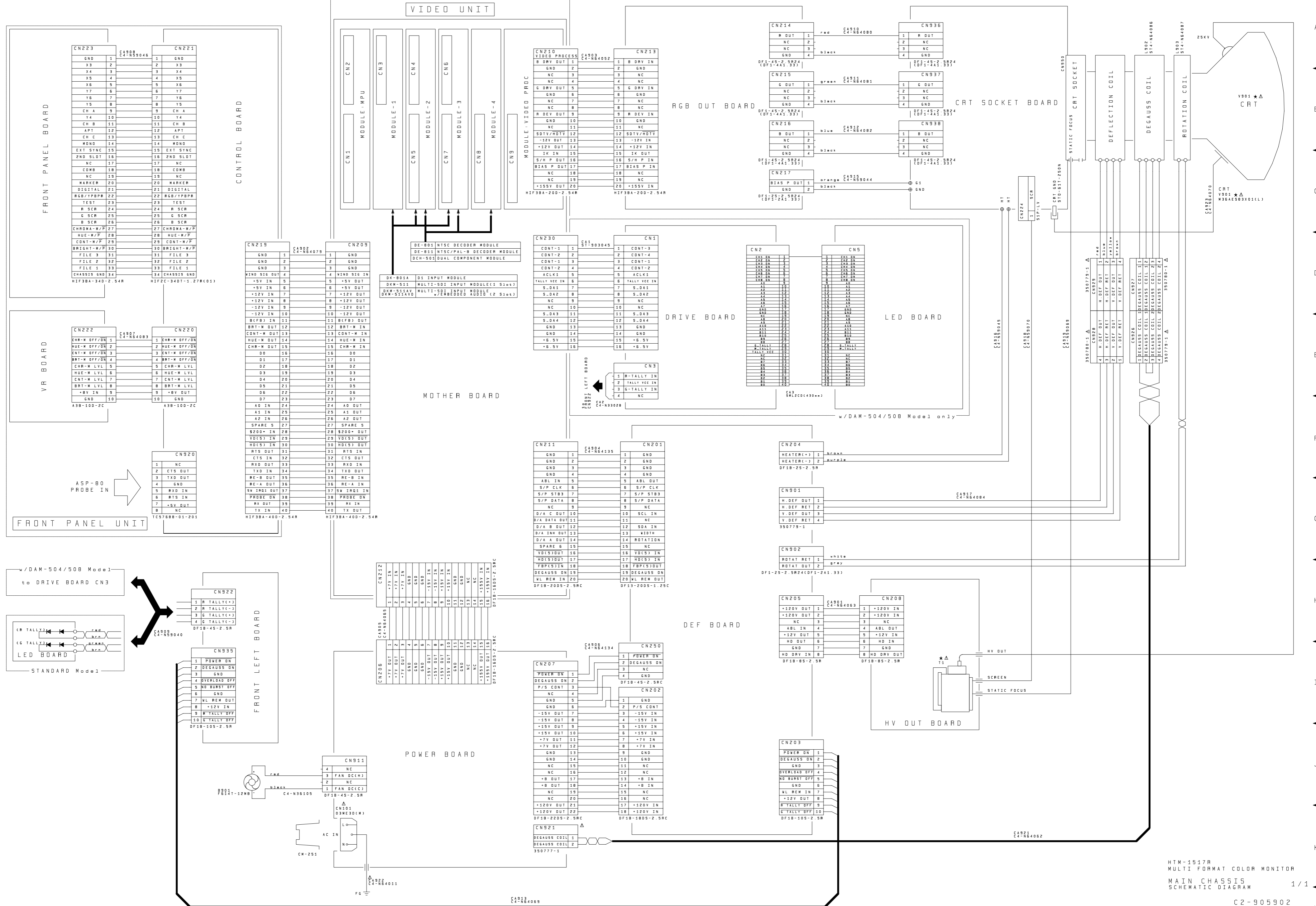
Replace only with the same or equivalent type recommended by the manufacturer.

Dispose of used batteries according to the manufacturer's instructions.



HTM-1517R/1917R
 MULTI FORMAT COLOR MONITOR
 MAIN CHASSIS
 BLOCK DIAGRAM

1 / 1 H
 C2-905709



B. VIDEO SYSTEM

<Substrate>

- MOTHER BOARD
- MPU BOARD
- VIDEO PROCESS BOARD
- RGB OUT BOARD
- CRT SOCKET BOARD

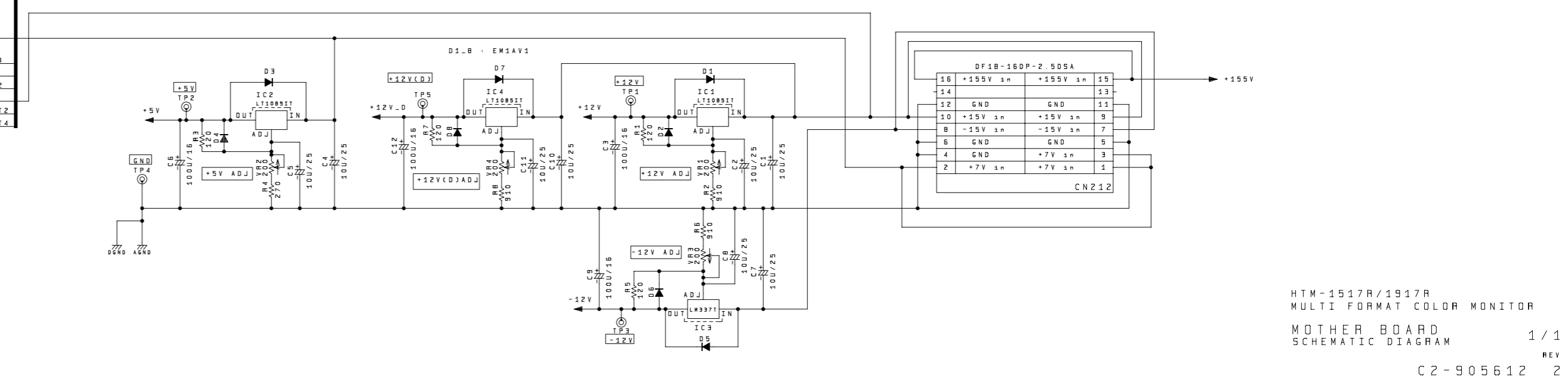
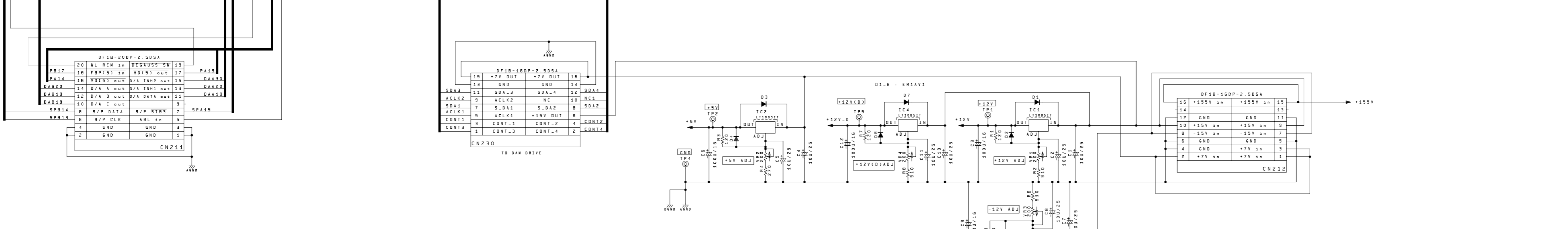
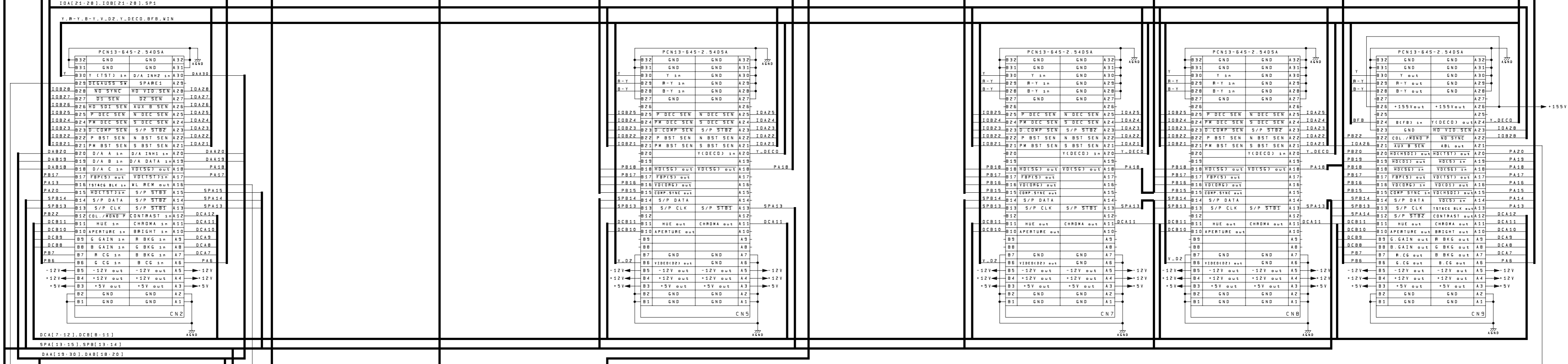
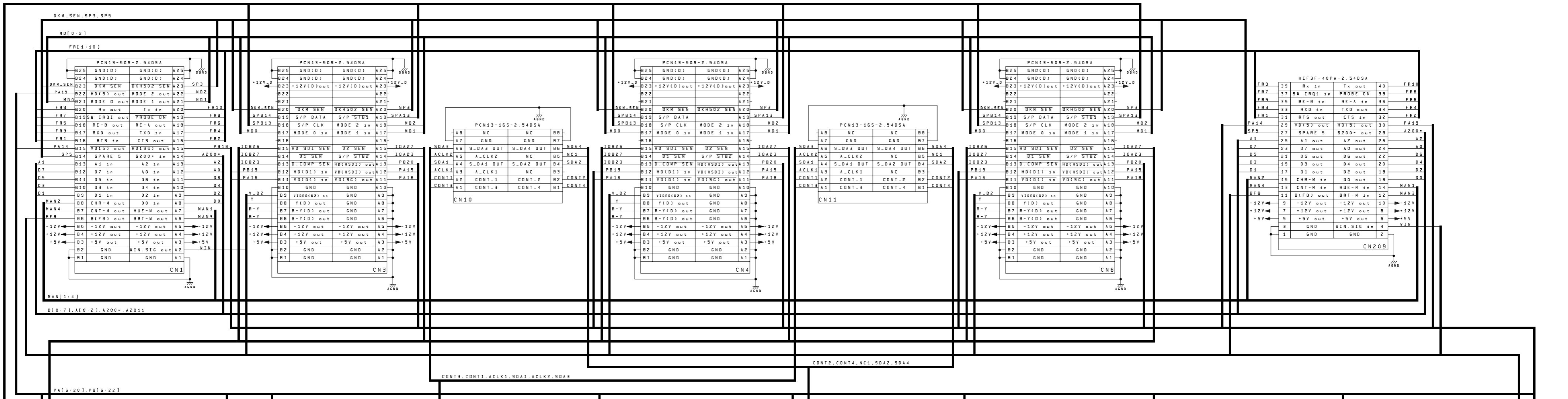
MOTHER BOARD

(1) Circuit Structure

- (a) +12V Power Supply (for analog/digital)
- (b) -12V Power Supply
- (c) +5V Power Supply

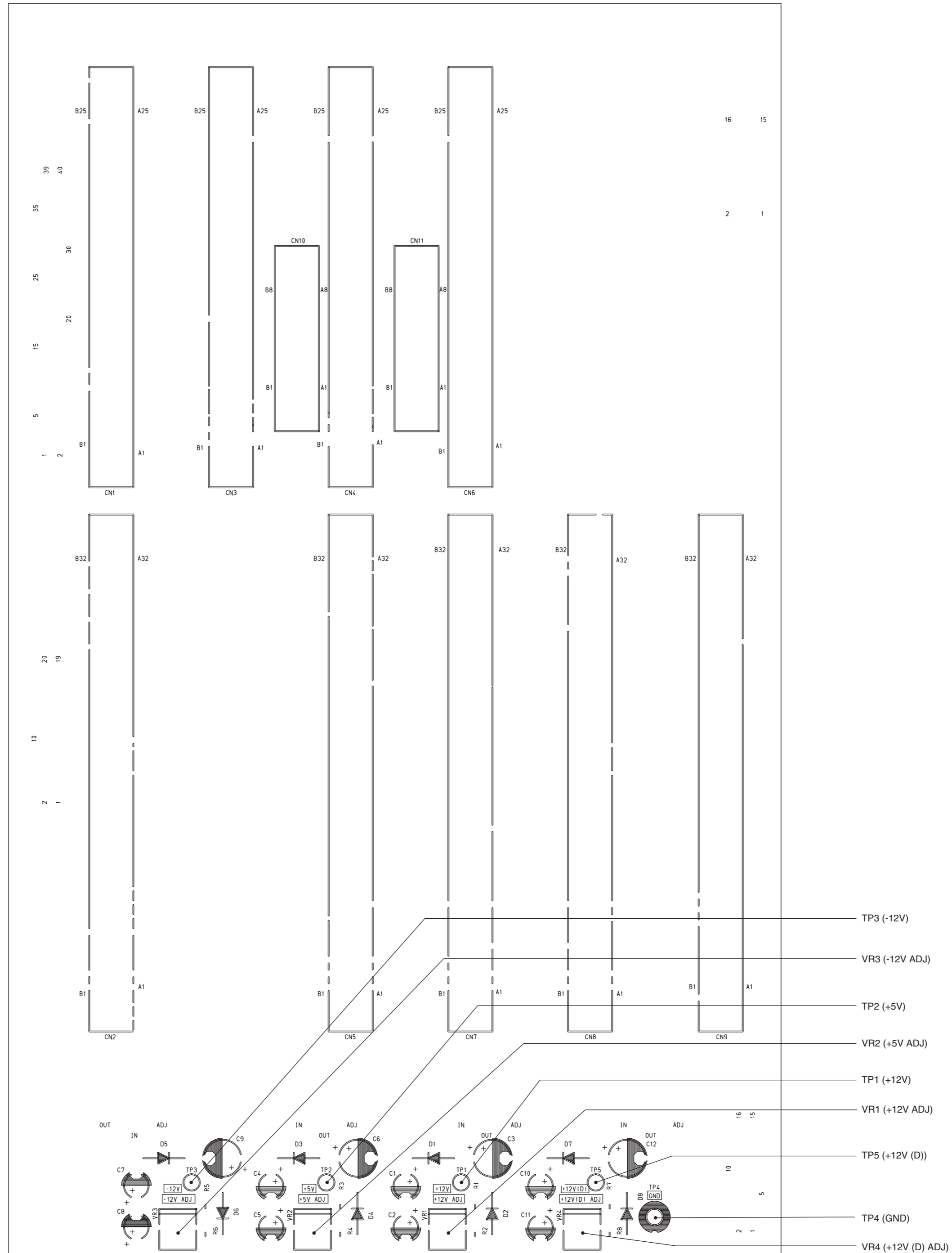
(2) Adjustment Method

- (a) VR1 [+12V ADJ]
Adjust to +12V ± 0.01 V for TP1
- (b) VR2 [+5V ADJ]
Adjust to +5V ± 0.01 V for TP2
- (c) VR3 [-12V ADJ]
Adjust to -12V ± 0.01 V for TP3
- (d) VR4 [+12V(D) ADJ]
Adjust to +12V ± 0.01 V for TP4



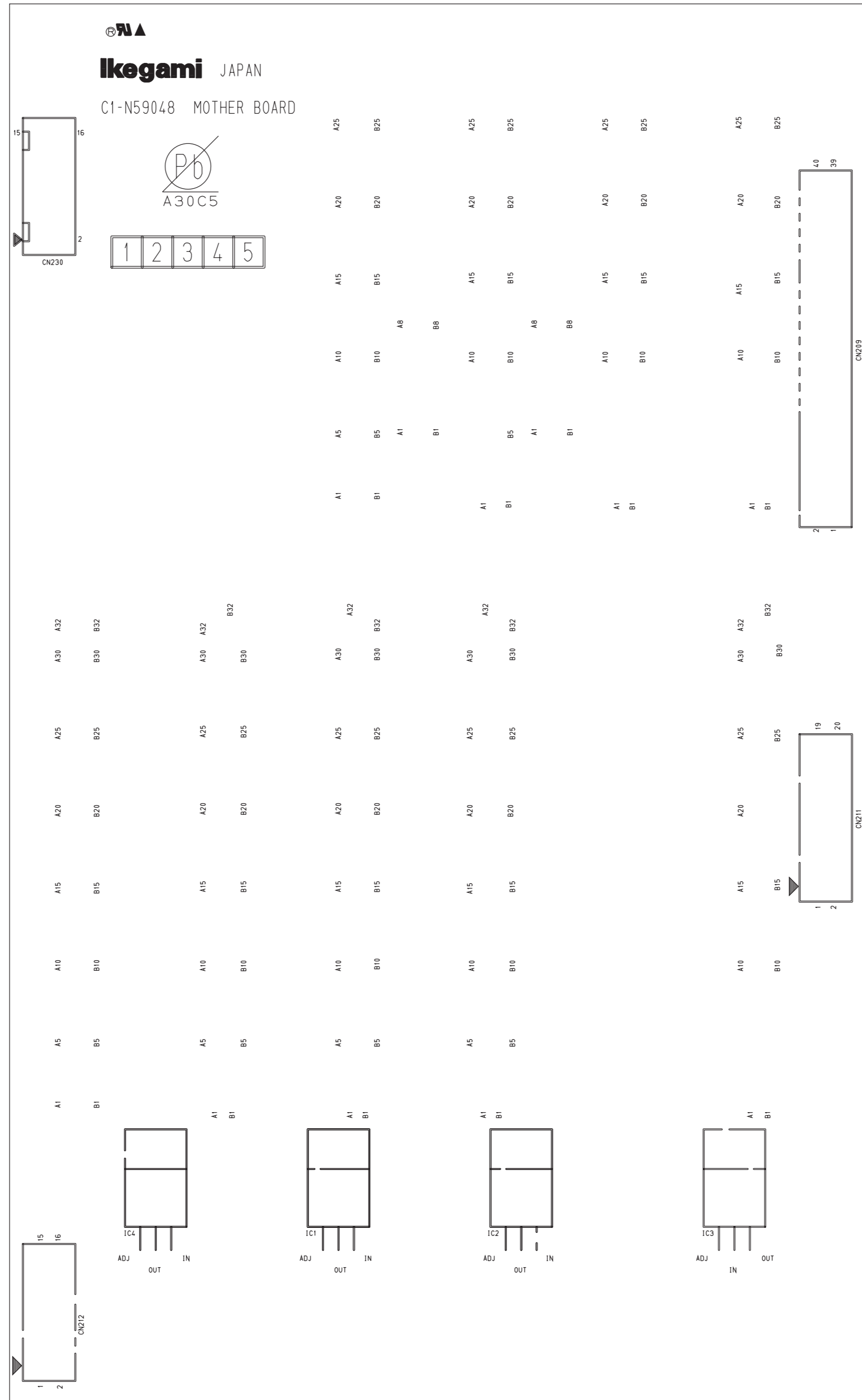
H7M-1517R/1917R
MULTI FORMAT COLOR MONITOR
MOTHER BOARD
SCHEMATIC DIAGRAM
1/1
REV
C2-905612 2

A SIDE



MOTHER BOARD
Parts Location
C1-N59048

B SIDE



MOTHER BOARD
Parts Location
C1-N59048

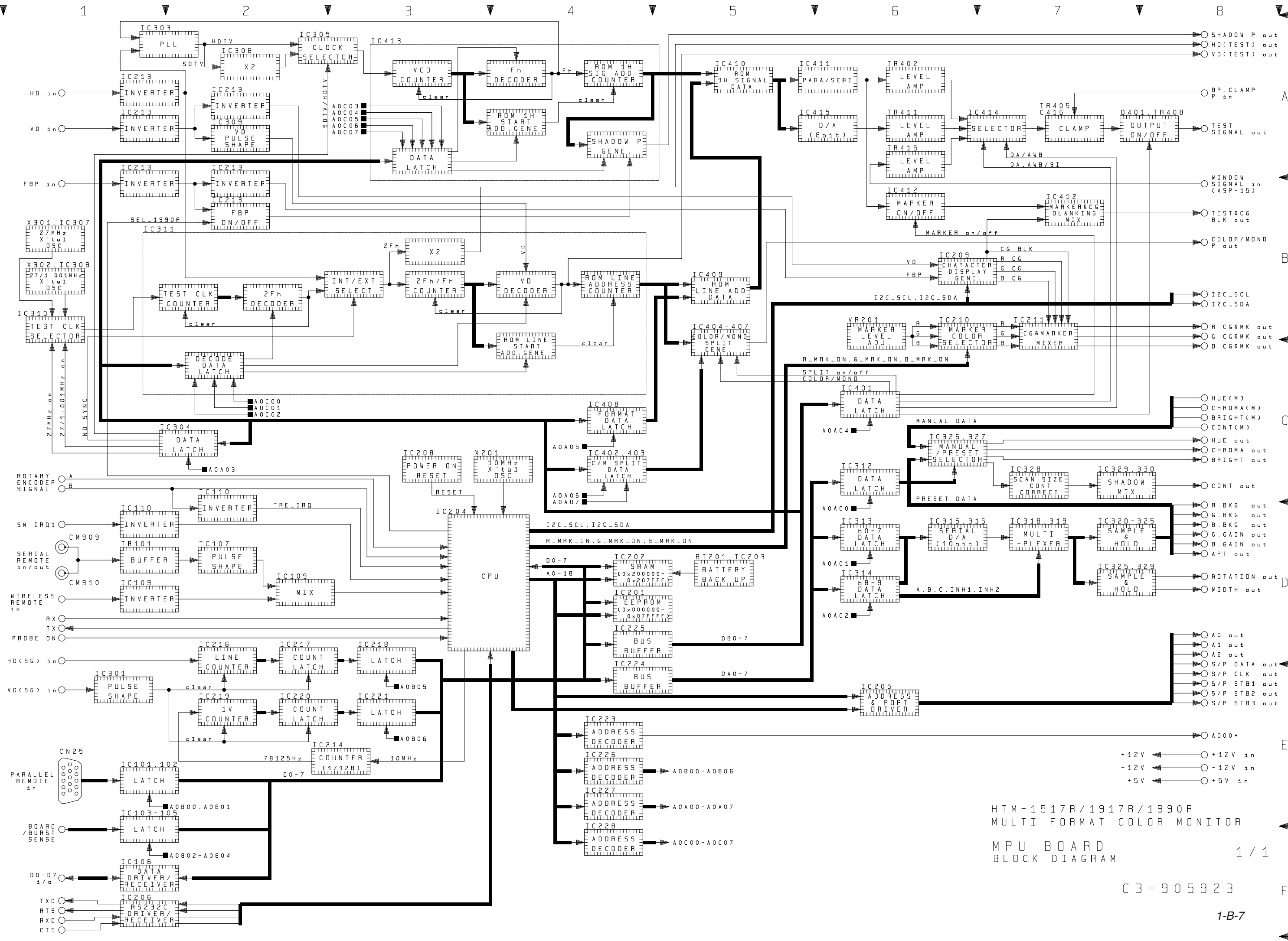
MPU BOARD

(1) Circuit Structure

- (a) MPU Circuit
- (b) I/O Circuit
- (c) RAM back up Circuit
- (d) OSD character generator, Marker display color setting Circuit
- (e) D/A, S/H Circuit
- (f) TEST signal, MARKER signal generator Circuit

(2) Adjustment Method

- (a) S201 [DIP Switch]
S202 [Rotary Switch]
 - 1. S202 is used for setting monitor varieties.
 - 1990 : HTM-1990R
 - 1917/1517 : HTM1517R/HTM-1917R
 - CS : HTM-1517CS
 - 2. S201 is used to set modes to which monitor responds.
 - PH-C : Set default value of quasi-SMTE-C phosphor function
SMPTE = ON, P22(EBU) = OFF
 - 9300K : Not used (set to OFF)
 - TM20-80 : Not used (set to OFF)
 - 1080i/50 : 1080i/50 format response = ON
 - 1080i/48 : 1080i/48(1080psF/24) format response = ON
 - 480p : 480p format response = ON
 - 720p/50 : 720p/50 format response = ON
- (b) VR201 [MK LVL]
VR401 [TEST-S LVL]
VR402 [DA LVL]
 - 1. The VR201 is used to adjust the contrast level of the marker. It is usually set in the center.
 - 2. Turn the marker OFF and display the crosshatch of the internal TEST signal.
Adjust the VR401 so that the signal level at TP403 is 1.0 ± 0.01 Vp-p.
 - 3. Switch the internal TEST signal to WINDOW.
Adjust the VR402 so that the signal level at TP403 is 1.28 ± 0.01 Vp-p.
- (c) VR301 [4:3 U-CONT]
VR302 [16:9 N-CONT]
VR303 [16:9 U-CONT]
 - 1. Input the WINDOW(100%) signal from TEST Generator.
Adjust the CONTRAST level so that the value is 120cd/m^2 during 4:3 NORMAL SCAN Display.
Adjust VR301 so that the value is 120cd/m^2 during 4:2 UNDER SCAN Display.
Adjust VR302 so that the value is 120cd/m^2 during 16:9 NORMAL SCAN Display.
Adjust VR303 so that the value is 120cd/m^2 during 16:9 UNDER SCAN Display.
- (d) VR403 [WIND LV]
Adjustment not necessary.



HTM-1517R/1917R/1990R
MULTI FORMAT COLOR MONITOR

MPU BOARD
BLOCK DIAGRAM 1 / 1

C3-905923

1-B-7

+12V in
-12V in
+5V in

A0 out
A1 out
A2 out
S/P DATA out
S/P CLK out
S/P STB1 out
S/P STB2 out
S/P STB3 out

R.BKG out
G.BKG out
B.BKG out
G.GAIN out
B.GAIN out
APT out

HUE out
CHROMA out
BRIGHT out

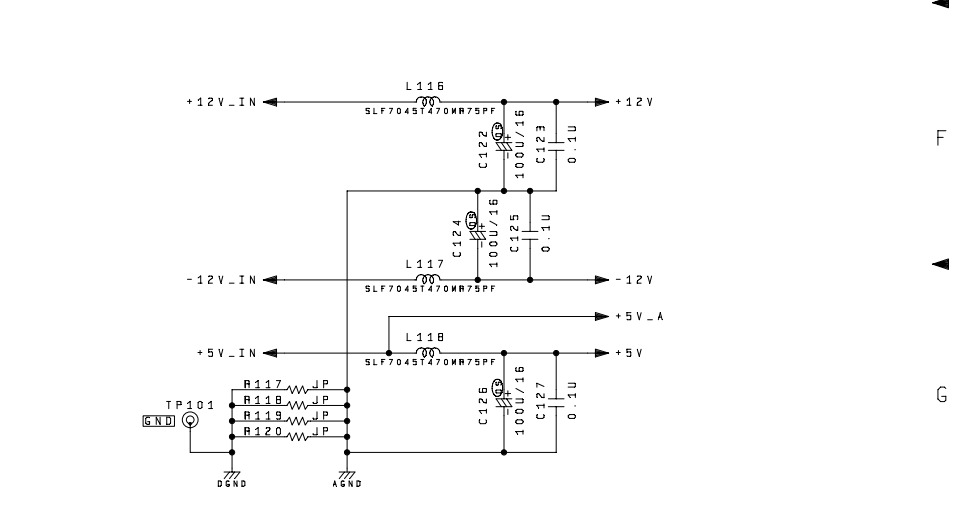
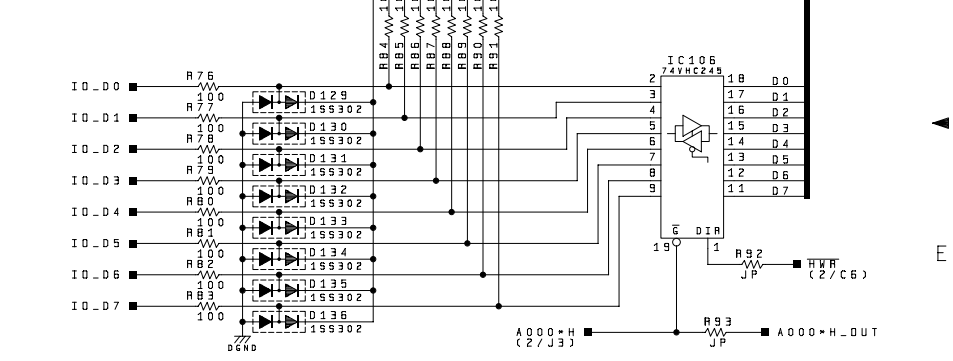
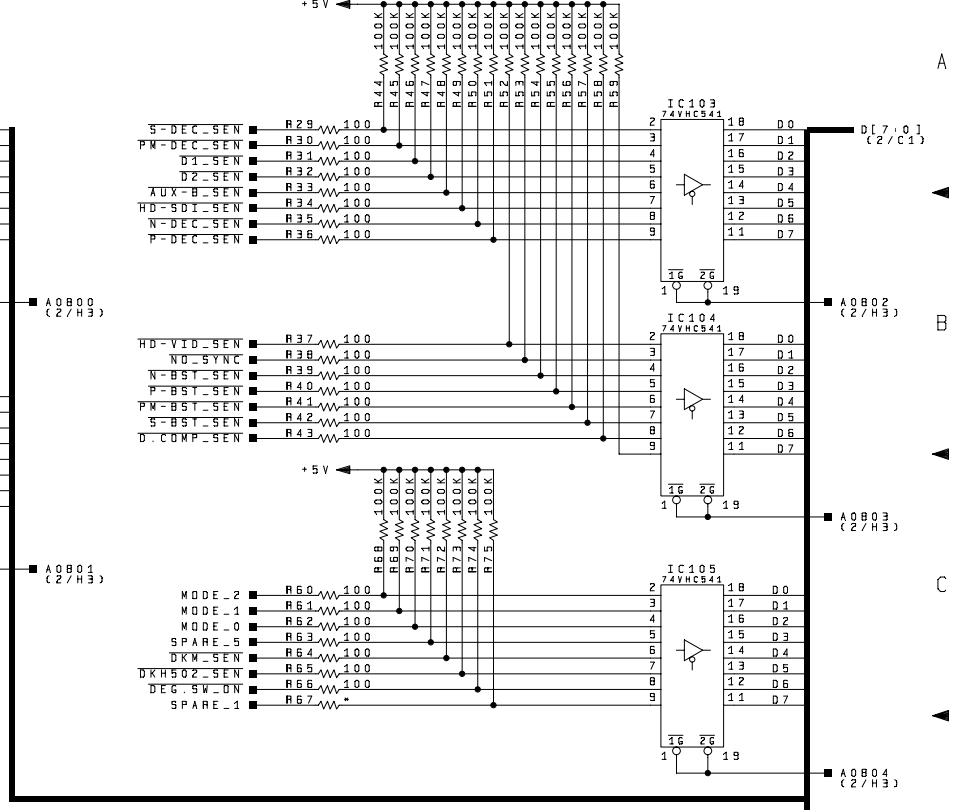
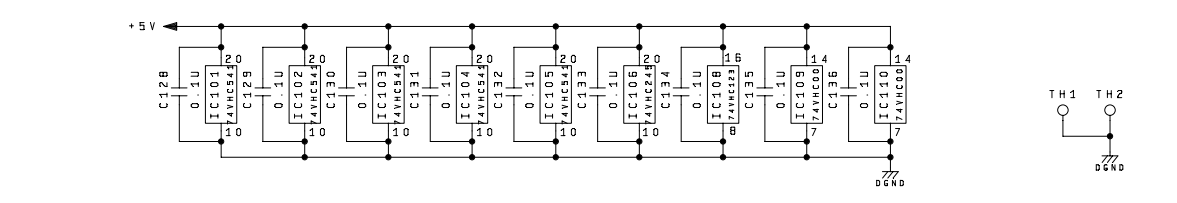
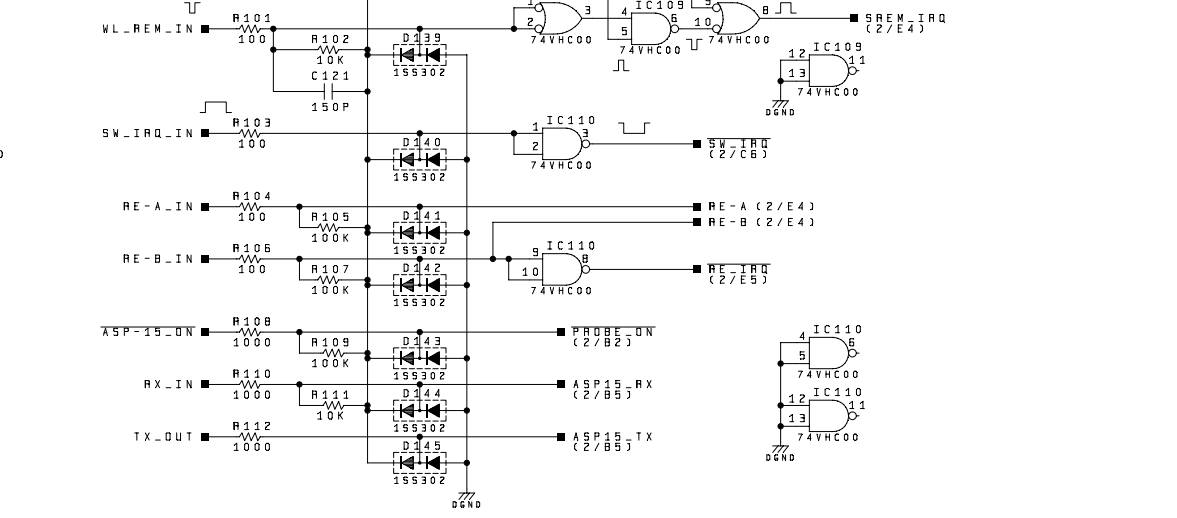
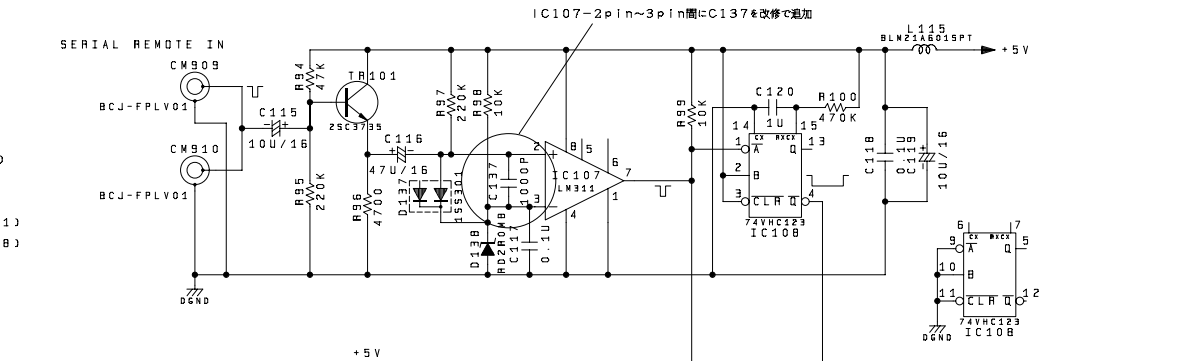
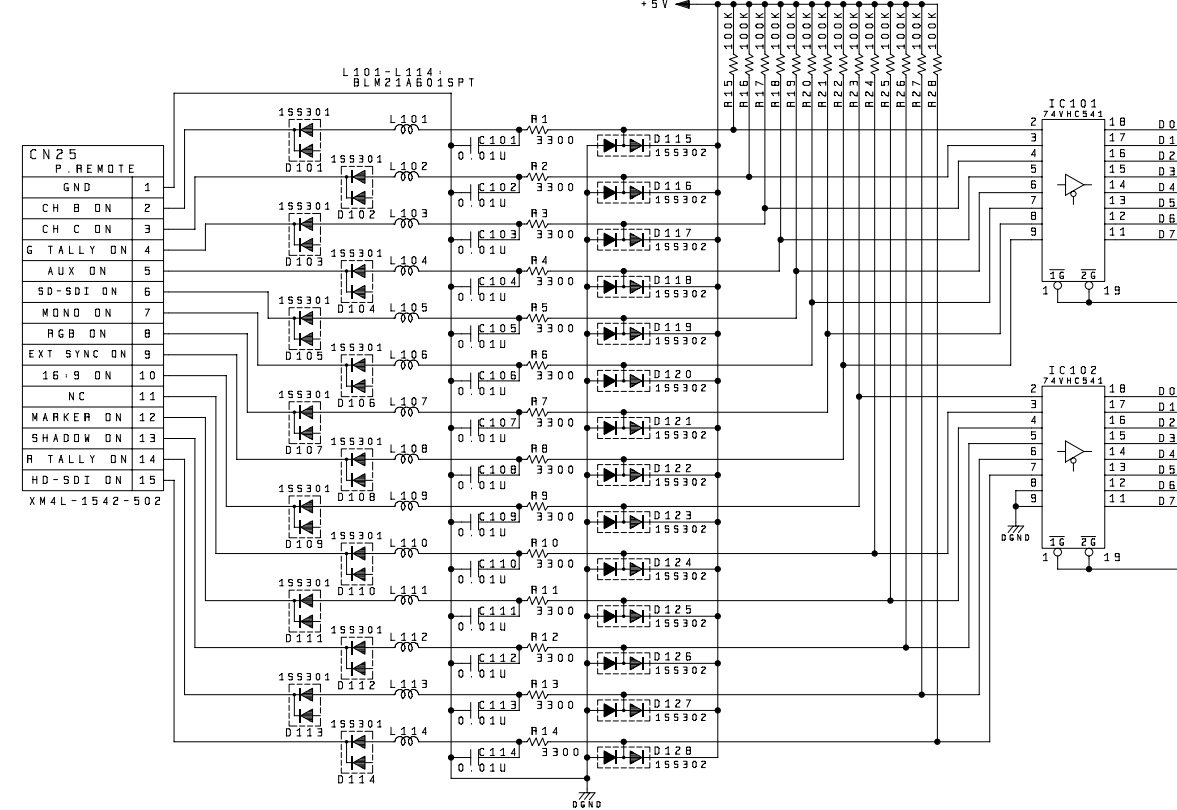
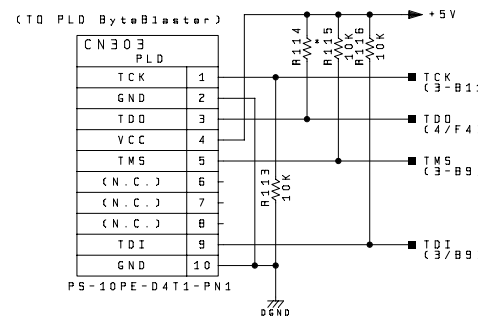
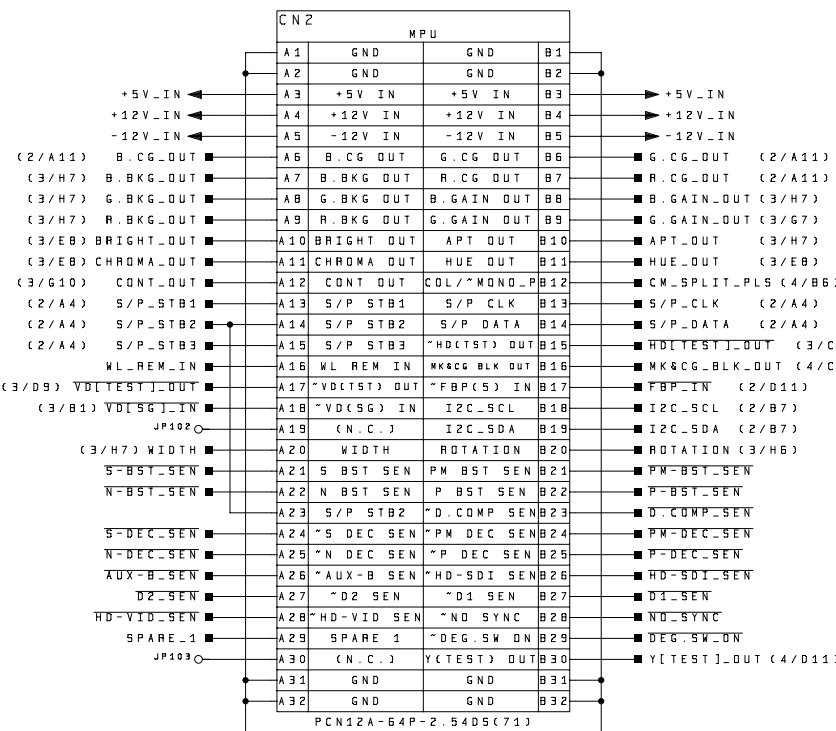
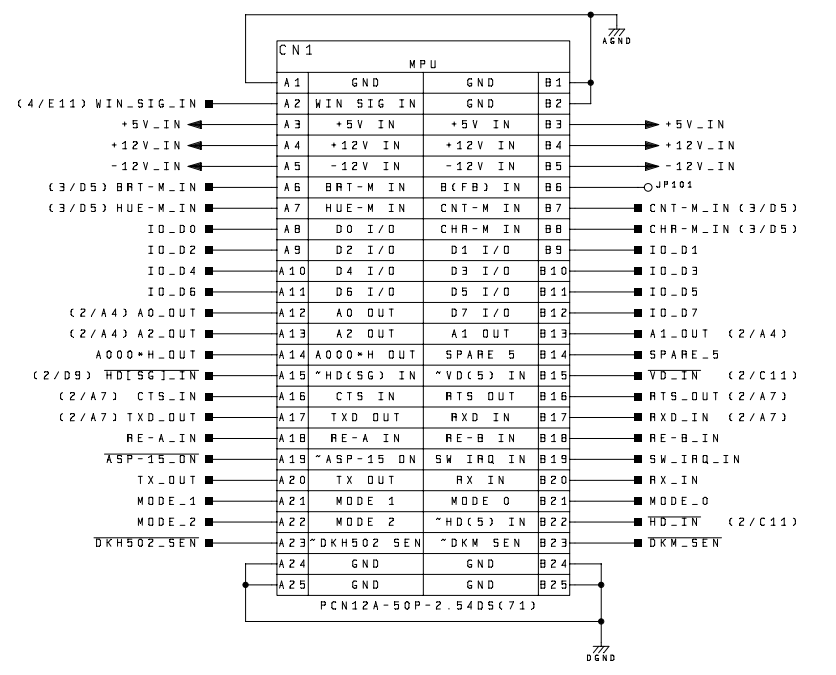
R CG&MK out
G CG&MK out
B CG&MK out

COLOR/MONO P out

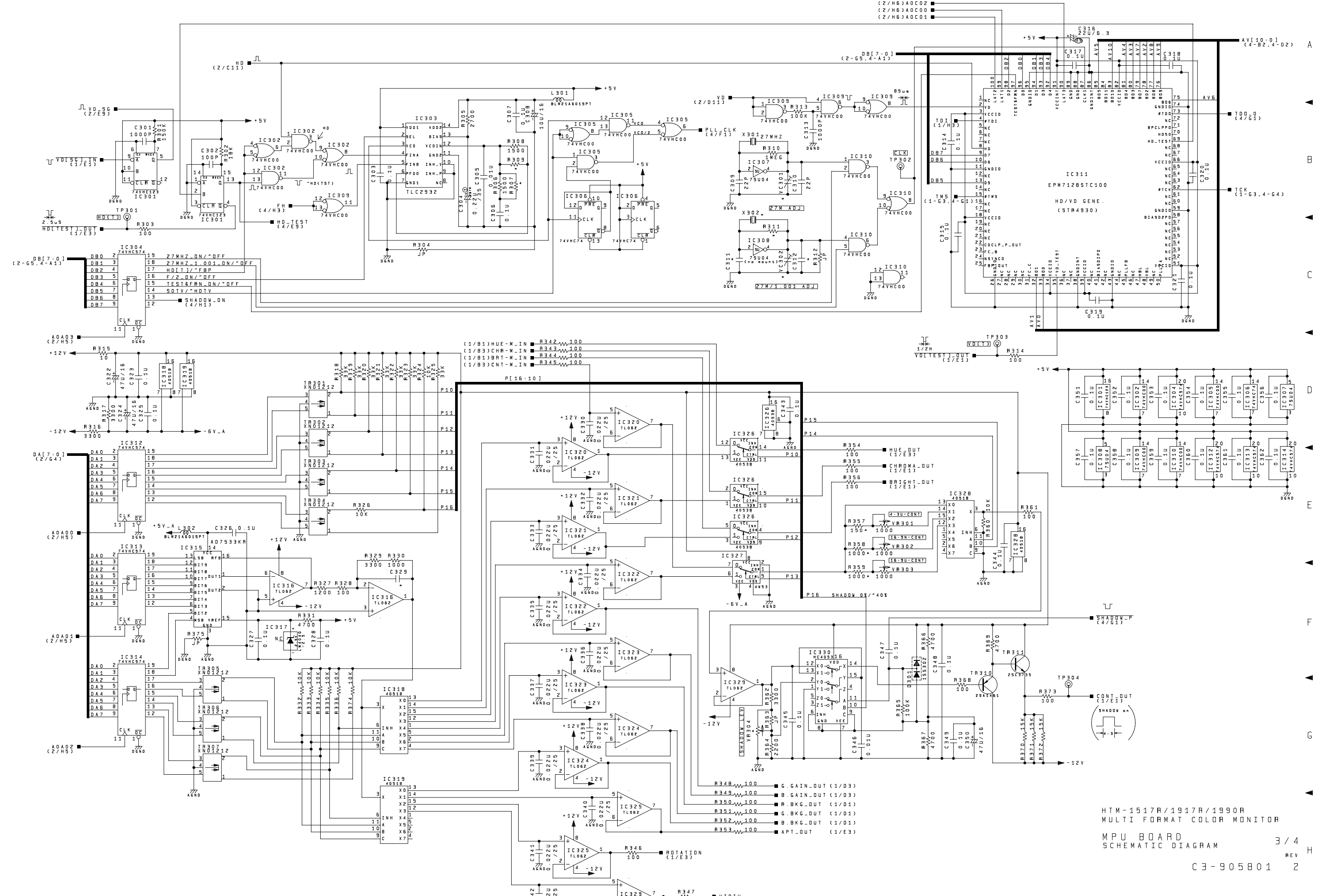
TEST&CG BLK out

TEST SIGNAL out

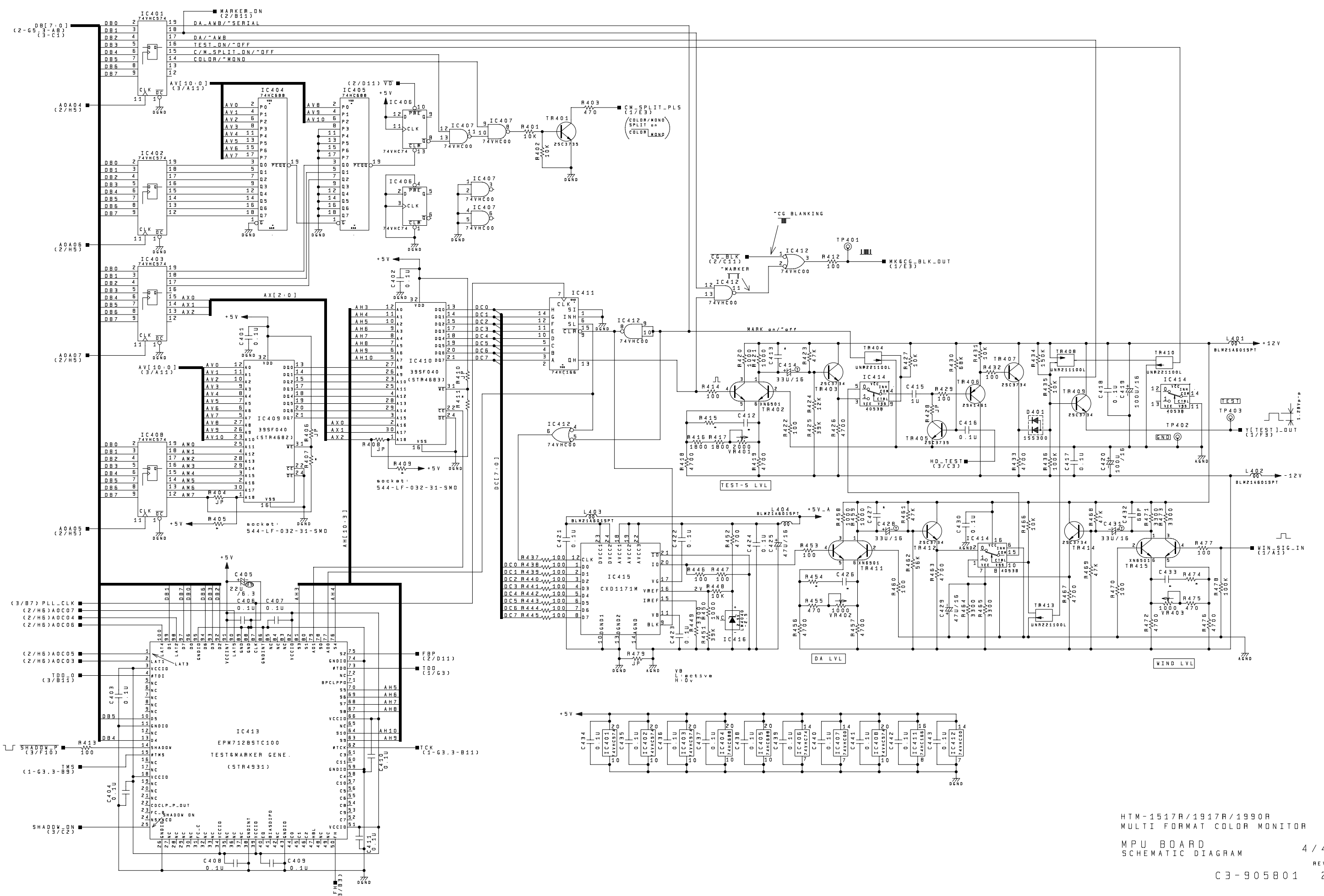
SHADOW P out
HD(TEST) out
VD(TEST) out



HTM-1517R/1917R/1990R
MULTI FORMAT COLOR MONITOR
MPU BOARD
SCHEMATIC DIAGRAM 1/4
REV
C3-905801 2.



HTM-1517R/1917R/1990R
 MULTI FORMAT COLOR MONITOR
 MPU BOARD
 SCHEMATIC DIAGRAM
 3 / 4
 REV
 C3-905801 2

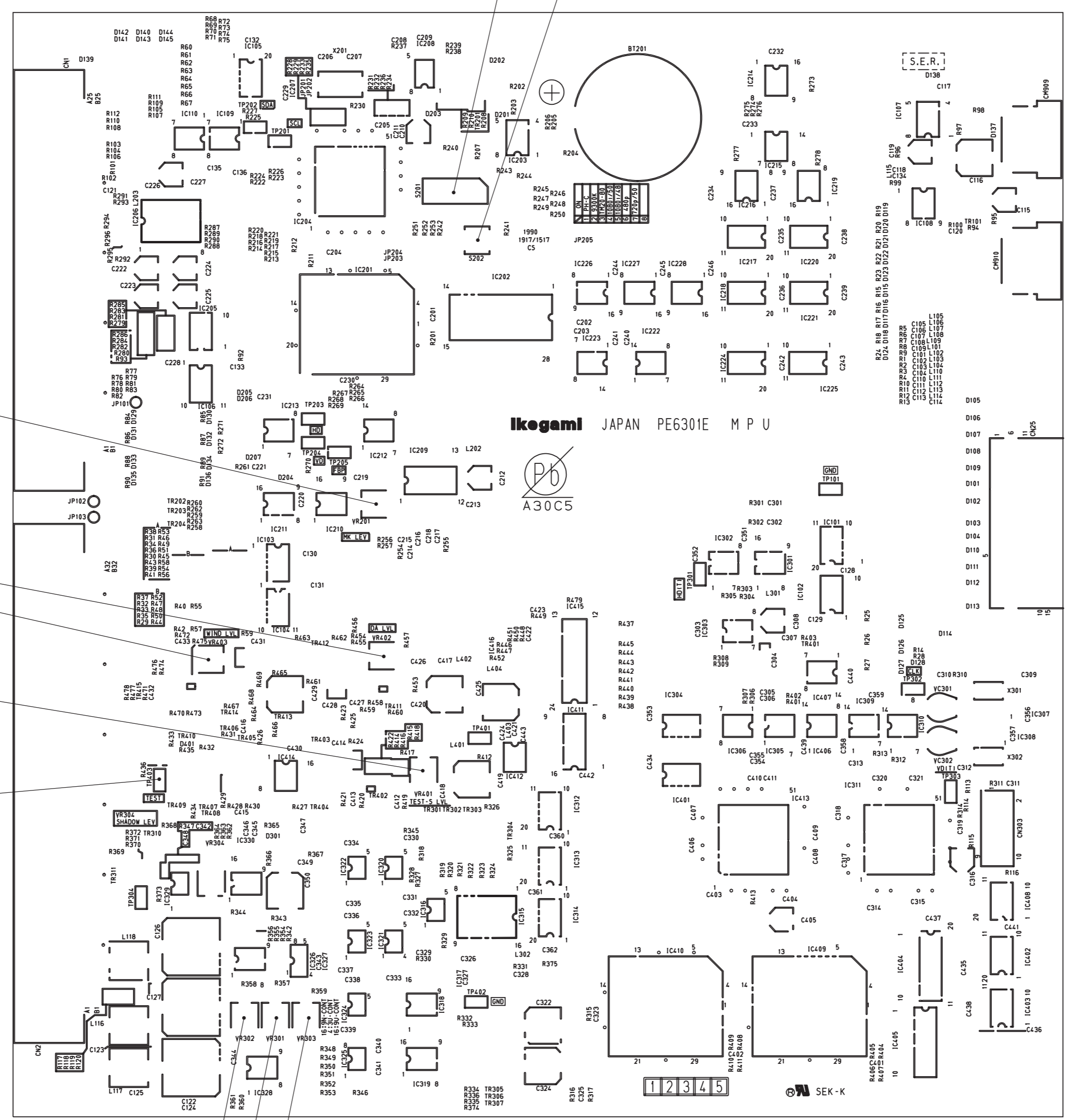


HTM-1517R/1917R/1990R
 MULTI FORMAT COLOR MONITOR
 MPU BOARD
 SCHEMATIC DIAGRAM
 C3-905801

A SIDE

S201 (DIP SW)
S202 (ROTARY SW.)

VR201 (MK LVL)
VR402 (DA LVL)
VR403 (WIND LV)
VR401 (TEST-S LVL)
TP403 (TEST)



VR303 (16:9 U-CONT)
VR301 (4:3 U-CONT)
VR302 (16:9 N-CONT)

MPU BOARD
Parts Location
PE6301E

VIDEO PROCESS BOARD

(1) Circuit Structure

<VIDEO System>

- (a) YPbPr/RGB Analog Component Input
- (b) RGB → YPbPr Matrix
- (c) YPbPr BUS I/F
- (d) Video Processing
- (e) Aperture
- (f) ABL Control

<SYNC System>

- (a) External Sync Input
- (b) Sync Separator
- (c) PLL-VCO
- (d) Sync Processing
- (e) G1 Drive

<CONTROL System>

- (a) Serial → Parallel Control

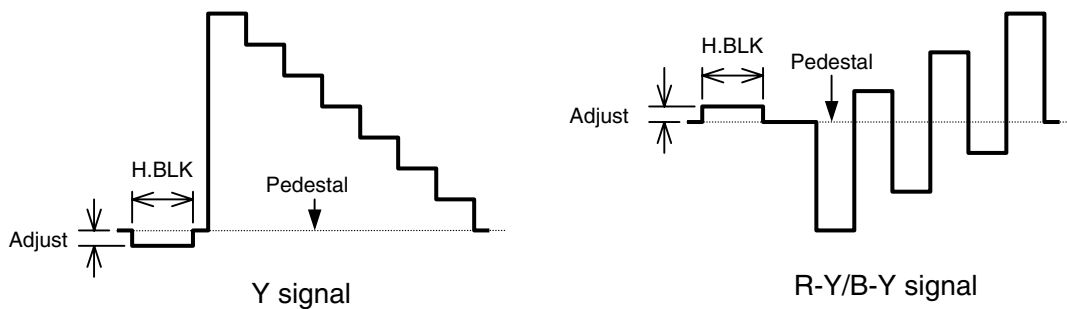
(2) Adjustment Method

- * Unless otherwise indicated, Input signal is HDTV and connected to YPbPr analog component. For HDTV, there is 100% color bar (SMPTE274M), and for SDTV there is SMPTE color bar.
- * The figures are images and differ from the actual signals.

<VIDEO System (YPbPr signal adjustment)>

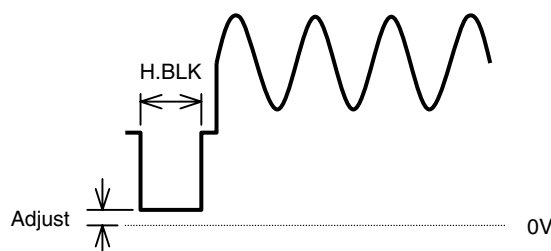
- (a) VR201 [DC SET R-Y]
- VR401 [DC SET Y]
- VR601 [DC SET B-Y]

At the test points TP106 (R-Y)/TP306 (Y)/TP506 (B-Y), the pedestals of the signals and the potential of the H.BLK are the same.



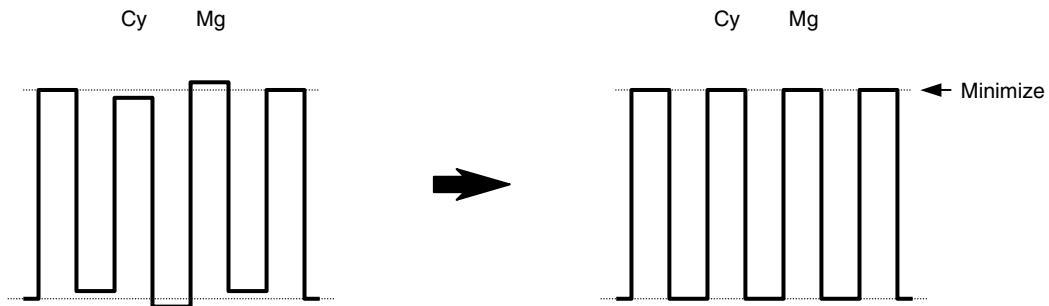
- (b) VR104 [R DC SET]
- VR304 [G DC SET]
- VR504 [B DC SET]

For the test points TP110 (R)/TP310 (G)/TP510 (B), H.BLK of the signals is adjusted to 0V.



(c) VR702 [COLOR BAL]

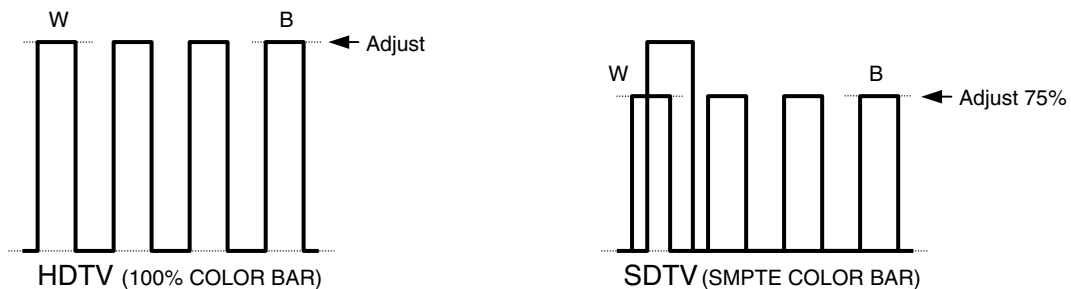
For TP510 (B), Adjust the level difference between the Cyan (Cy) and Magenta (Mg) level and other levels to minimum for the blue signal of the HDTV color bar. It is effective to carry this alternately with VR705 [HDTV CHR] (VR706 [SDTV CHR]).



(d) VR705 [HDTV CHR]

VR706 [SDTV CHR]

For TP510(B), Adjust the Blue (B) level to the same level as White (W) level at the chroma preset data is 50%, matching them separately for HDTV and SDTV. It is effective to carry this alternately with VR702 [COLOR BAL].



(e) VR103 [SD R-Y]

VR104 [HD R-Y]

For TP110(R), If there is a difference in the color balance of the Red signal even with adjustment of VR705/VR706 or VR702, adjust separately with SDTV and SDTV.

VR503 [SD B-Y]

VR504 [HD B-Y]

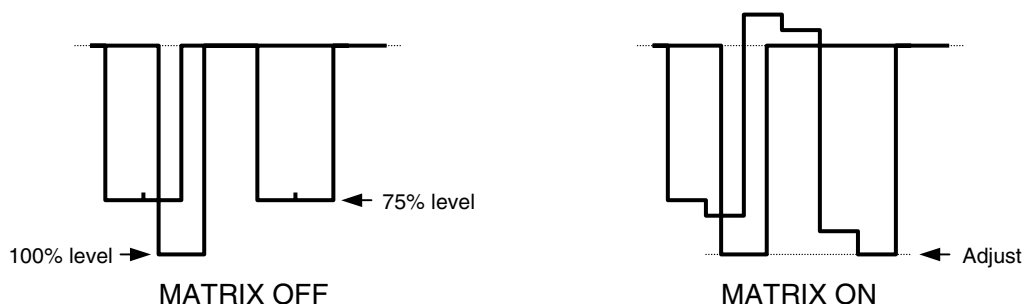
For TP510 (B), If there is a difference in the color balance of the Blue signal even with adjustment of VR705/VR706 or VR702, adjust separately with SDTV and HDTV.

(f) VR703 [R GAIN]

For TP1 (Rch) of the CRT SOCKET BOARD, Set the video level for maximum contrast control of the 16:9 screen to 50 Vp-p.

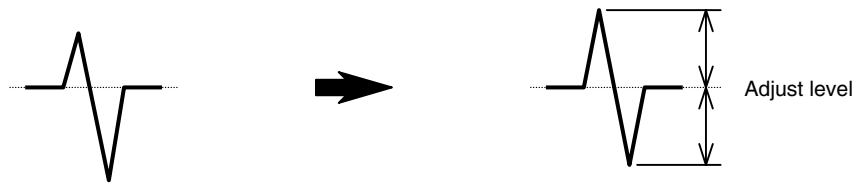
(g) VR102 [MTX R BAL]

For TP1 (Rch) of the CRT SOCKET BOARD, Adjust the 75% level the same as the 100% level when the SMPTE color bar signal is input and the MATRIX Switch on the front panel is turned ON.



(h) VR701 [EDGE BAL]

For TP701, Adjust the upper/lower level of the edge signal.



<VIDEO system (adjustment of RGB component input)>

* Set YPbPr/RGB input format of MENU-1 to RGB.

(a) VR106 [R-Y OFF SET]

VR506 [B-Y OFF SET]

For the test points TP106 (R-Y)/TP506 (B-Y), Adjust signal leakage to minimum value when the monochrome signal is input respectively to R,G,B.



(b) VR101 [R-Y LEVEL]

VR301 [Y LEVEL]

VR501 [B-Y LEVEL]

For the test points TP101(PR)/TP301(Y)/TP501(PB), Adjust the levels of Y, Pb, Pr to 1.3Vp-p.

<SYNC System>

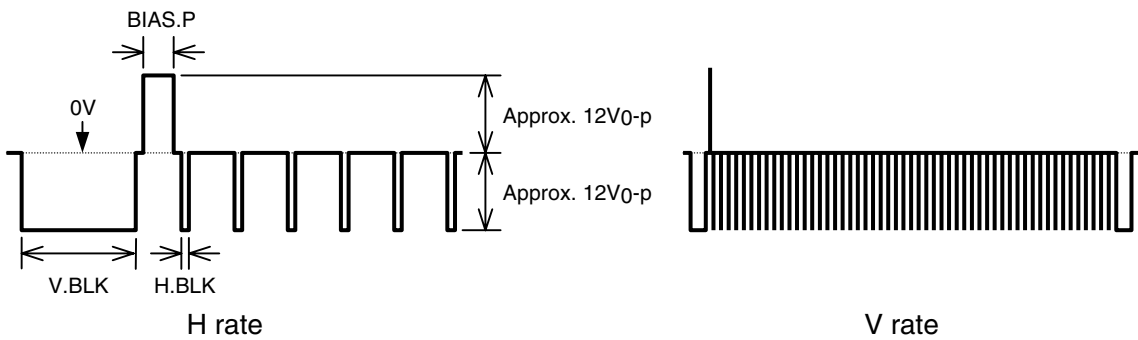
(a) TP903 [CLK1]

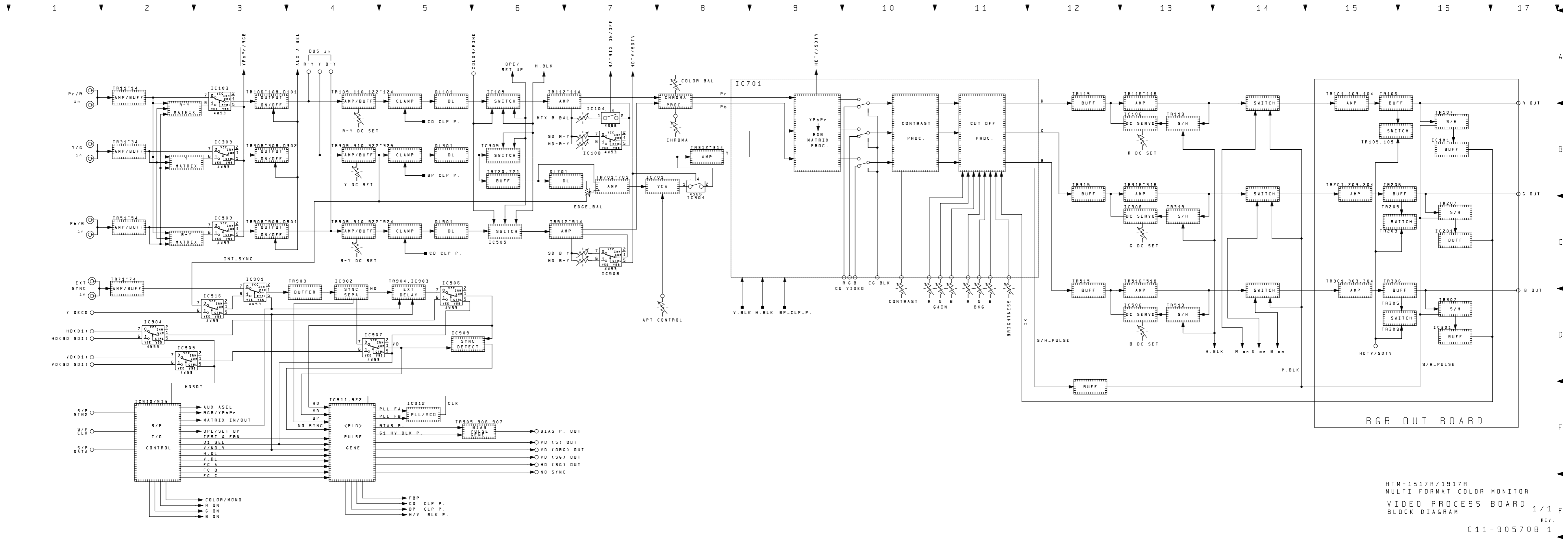
TP915 [CLK2]

The clock frequency should be in the vicinity of 13.5 MHz for the various formats.

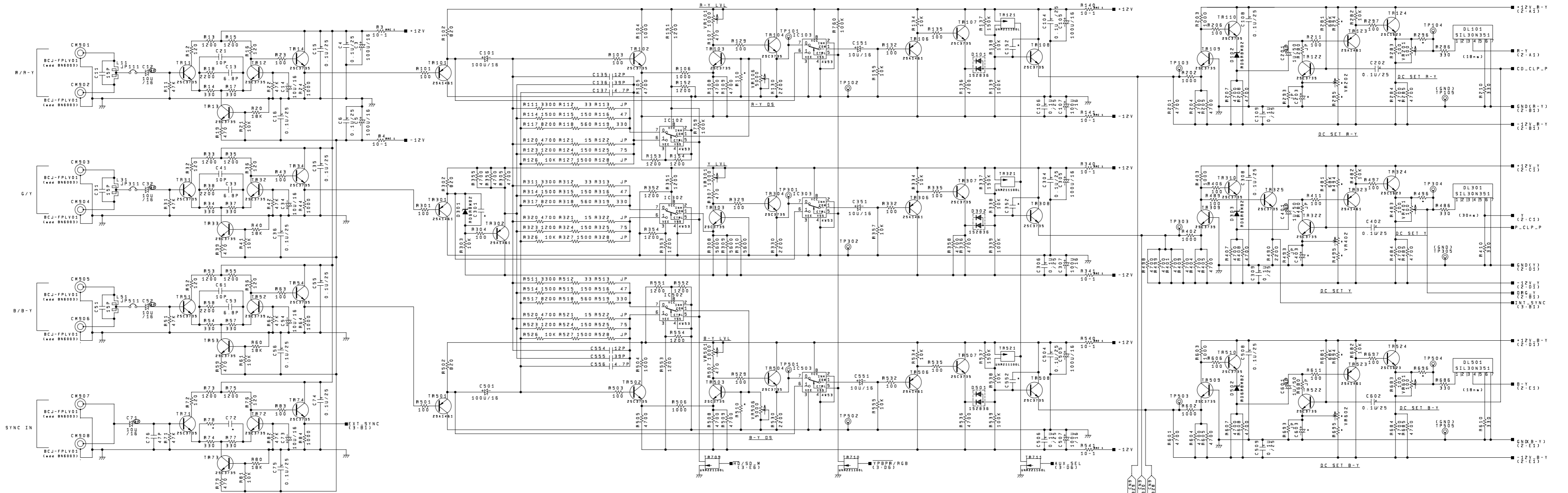
(b) TP907 [G1]

The following signal should be output.

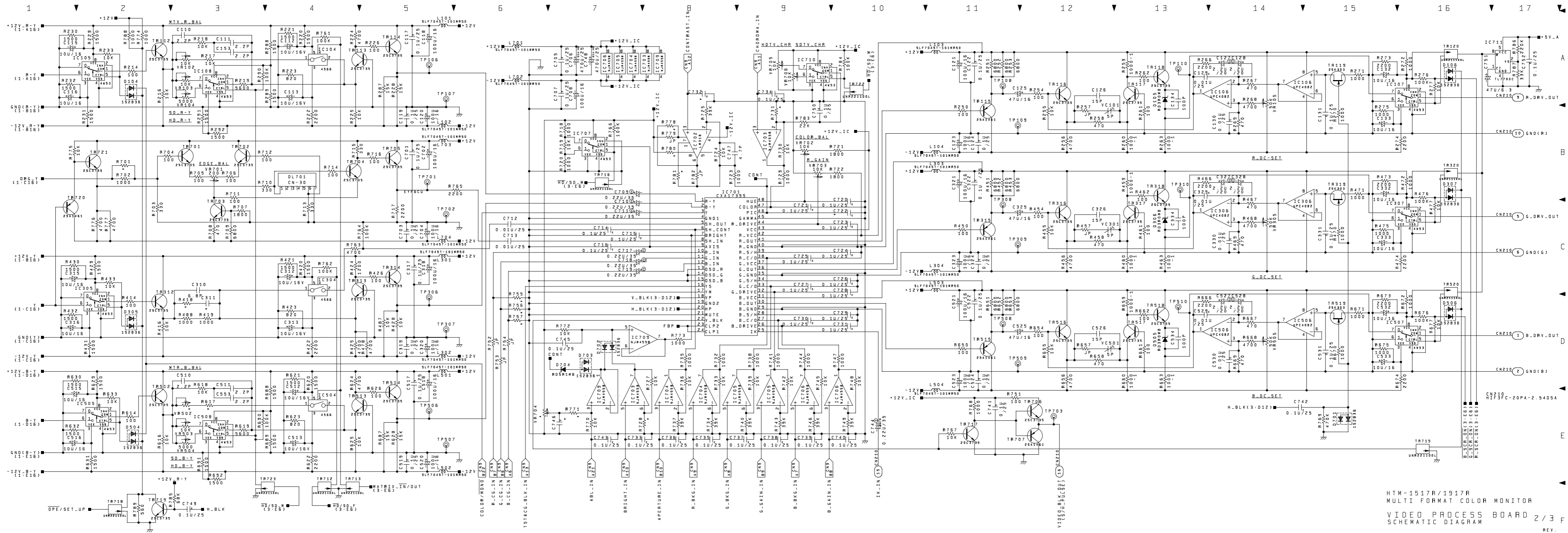




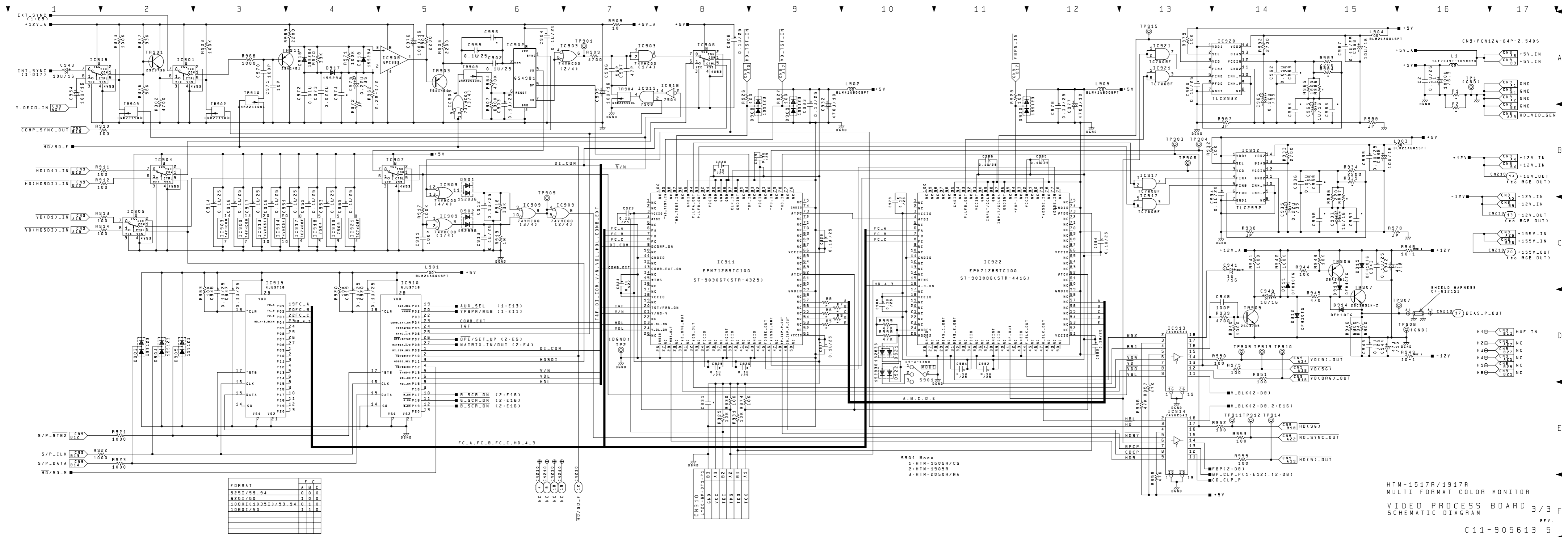
1 2 3 4 5 6 7 8 9 10 11 12 13 14 15 16 17



HIM-1517R/1917R
MULTI FORMAT COLOR MONITOR
VIDEO PROCESS BOARD 1/3 F
SCHEMATIC DIAGRAM REV.
C11-905613 5



HM-1517R/1917R
 MULTI FORMAT COLOR MONITOR
 VIDEO PROCESS BOARD 2/3 F
 SCHEMATIC DIAGRAM
 REV. 1
 C11-905613 5



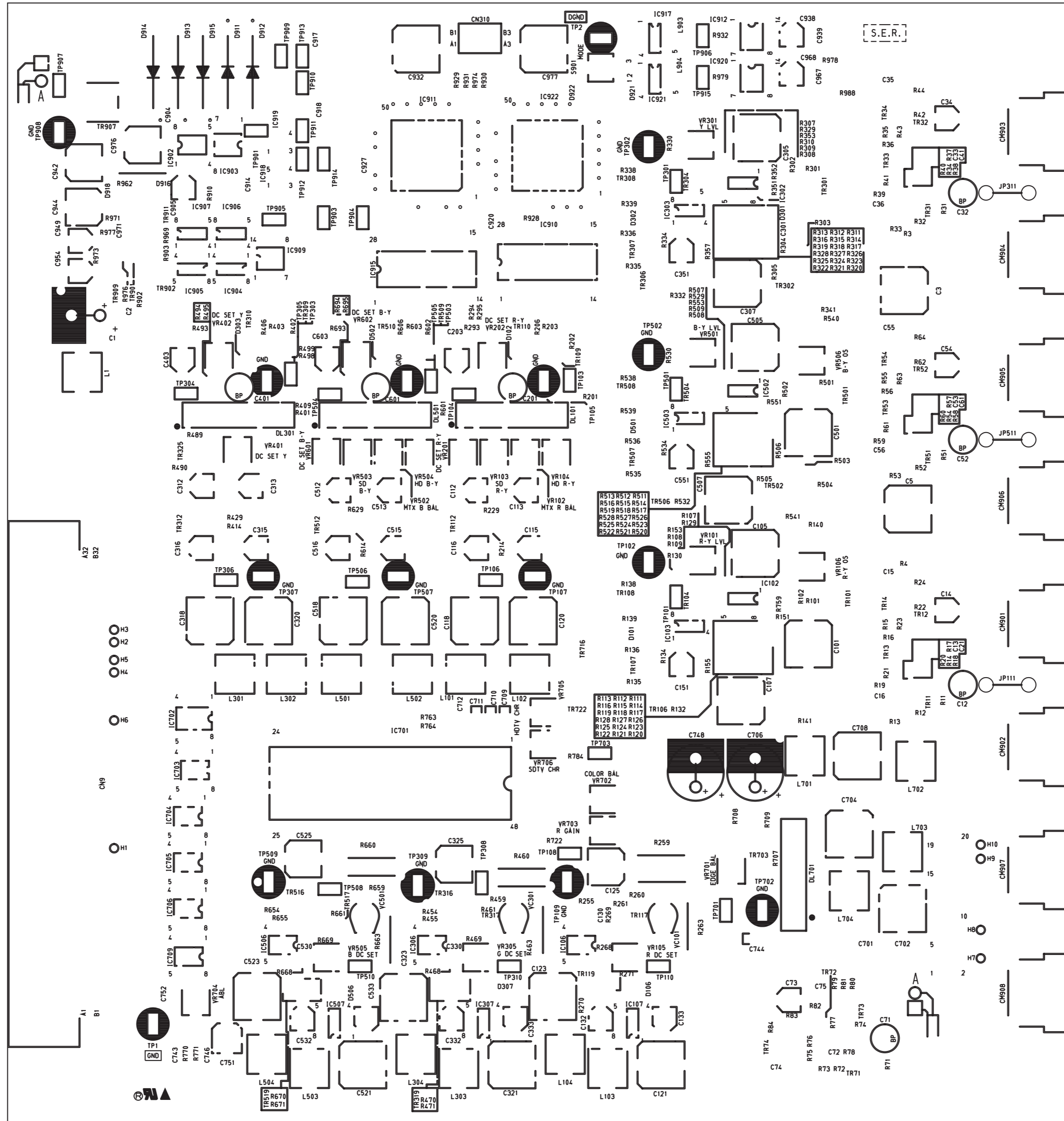
FORMAT	A	B	C
525I/59.94	0	0	0
525I/50	1	0	0
1080I(1035I)/59.94	0	1	0
1080I/50	1	1	0

NC ()
 0V ()
 5V ()

5901 Mem
 1: HTM-1505R/CS
 2: HTM-1505R
 3: HTM-2050R/RA

HTM-1517R/1917R
 MULTI FORMAT COLOR MONITOR
 VIDEO PROCESS BOARD 3/3 F
 SCHEMATIC DIAGRAM
 REV. C11-905613 5

A SIDE



INDEX	DESCRIPTION	INDEX	DESCRIPTION
6-E	TP101 (PR)	7-E	VR106 [R-Y OFF SET]
5-E	TP106 (R-Y)	5-D	VR201 [DC SET R-Y]
6-G	TP110 (R)	6-B	VR301 [Y LEVEL]
6-B	TP301 (Y)	5-G	VR305 [G DC SET]
4-E	TP306 (Y)	4-D	VR401 [DC SET Y]
5-G	TP310 (G)	6-C	VR501 [B-Y LEVEL]
6-D	TP501 (PB)	4-D	VR503 [SD B-Y]
4-E	TP506 (B-Y)	5-D	VR504 [HD B-Y]
4-G	TP510 (B)	4-G	VR505 [B DC SET]
4-C	TP903 [CLK1]	7-C	VR506 [B-Y OFF SET]
3-B	TP907 [G1]	4-D	VR601 [DC SET B-Y]
6-B	TP915 [CLK2]	7-F	VR701 [EDGE BAL]
6-E	VR101 [R-Y LEVEL]	6-F	VR702 [COLOR BAL]
5-D	VR102 [MTX R BAL]	6-F	VR703 [R GAIN]
5-D	VR103 [SD R-Y]	5-F	VR705 [HDTV CHR]
6-D	VR104 [HD R-Y]	5-F	VR706 [SDTV CHR]
6-G	VR105 [R DC SET]		

VIDEO PROCESS BOARD
Parts Location
C1-N59049

B SIDE



VIDEO PROCESS BOARD
Parts Location
C1-N59049

RGB OUT BOARD

(1) Circuit Structure

- (a) Voltage amplifying Circuit
- (b) Current amplifying Circuit+BFS (Beam Feedback System) switch Circuit
- (c) BFS (Beam Feedback System) sampling-hold Circuit
- (d) Ripple Filter

(2) Adjustment Method

* When not otherwise indicated, HDTV is the standard for the input signal in the analog component of YPbPr.

* The figures are images are differ from the actual signals.

(a) VR101 [R FREQ.COMP]

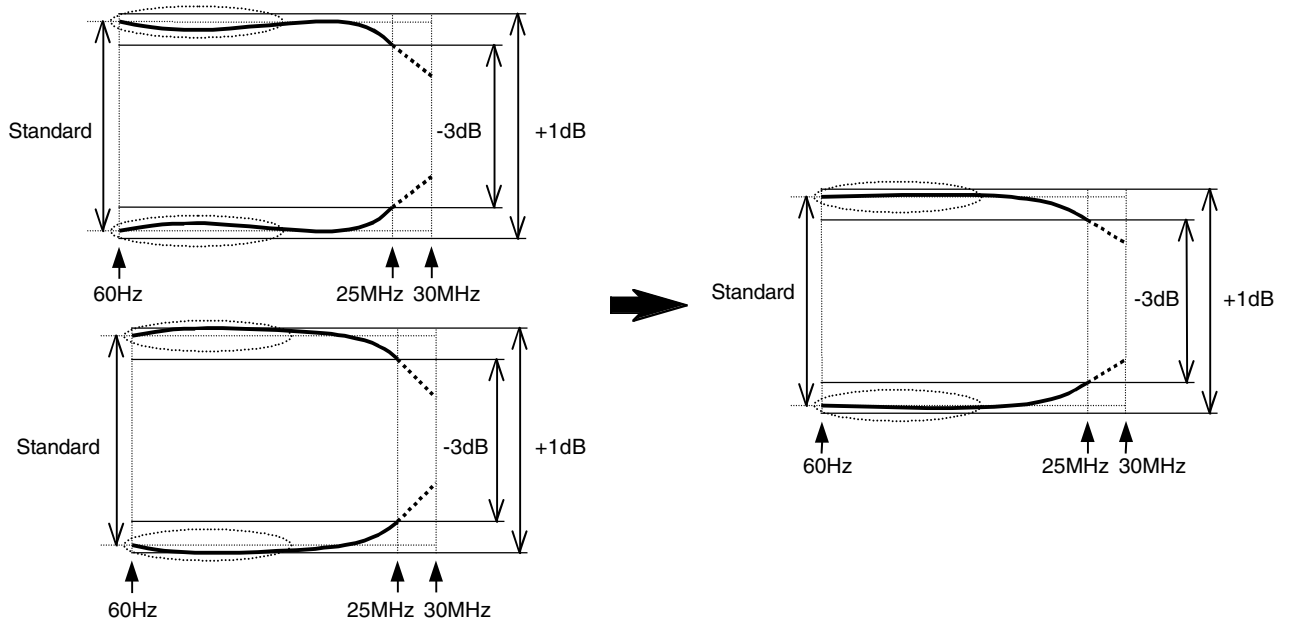
VR201 [G FREQ.COMP]

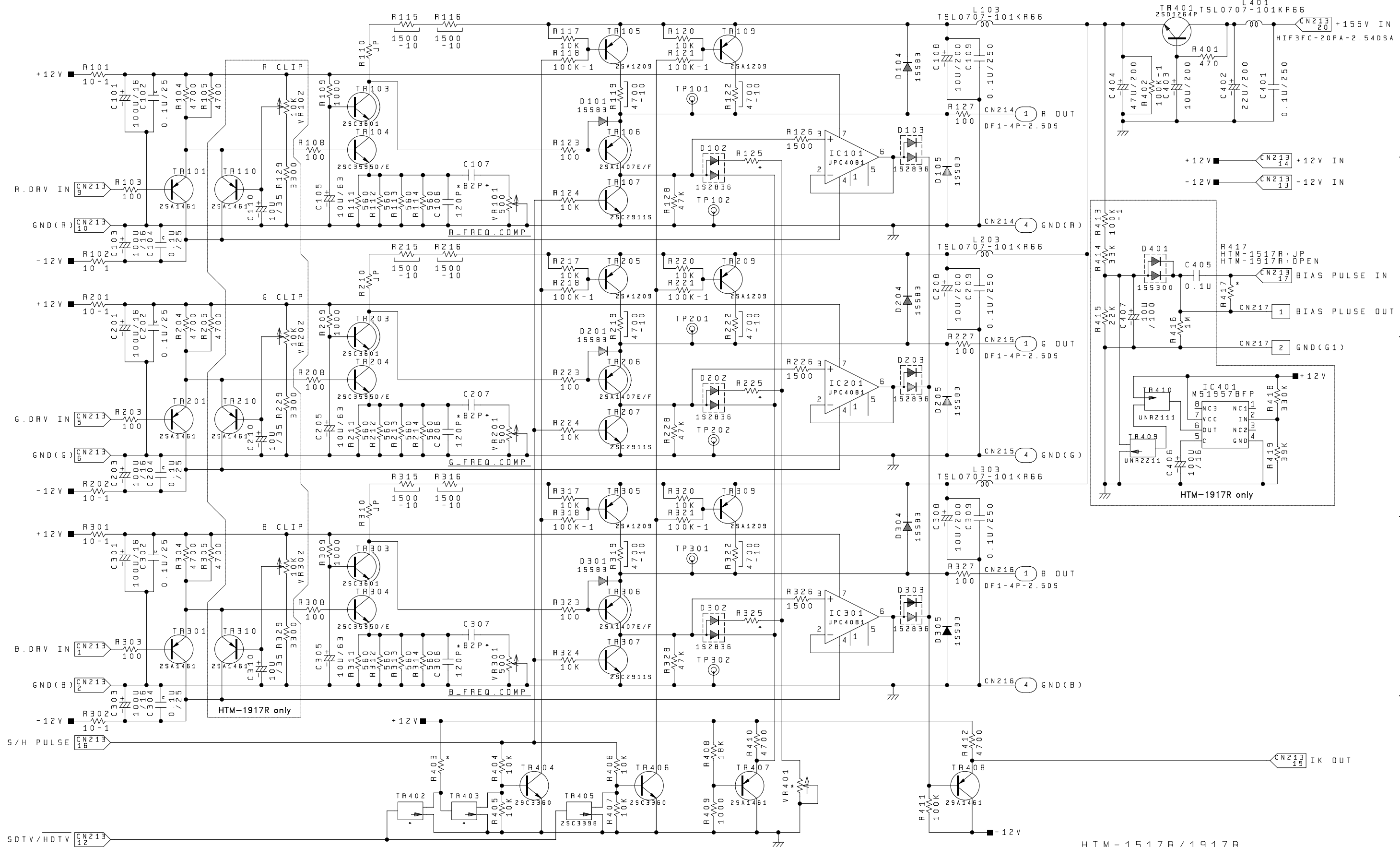
VR301 [B FREQ.COMP]

Input the sweep signal to Y and flatten the difference in the levels of the encircled sections from low level to medium level in the test points TP1 (R), TP2 (G), TP3 (B) of the CRT SOCKET BOARD.

Finally, adjust the Frequency Characteristic within +1dB/-3dB up to 25 MHz.

Note: Use the 100:1 high voltage/low capacity probe.

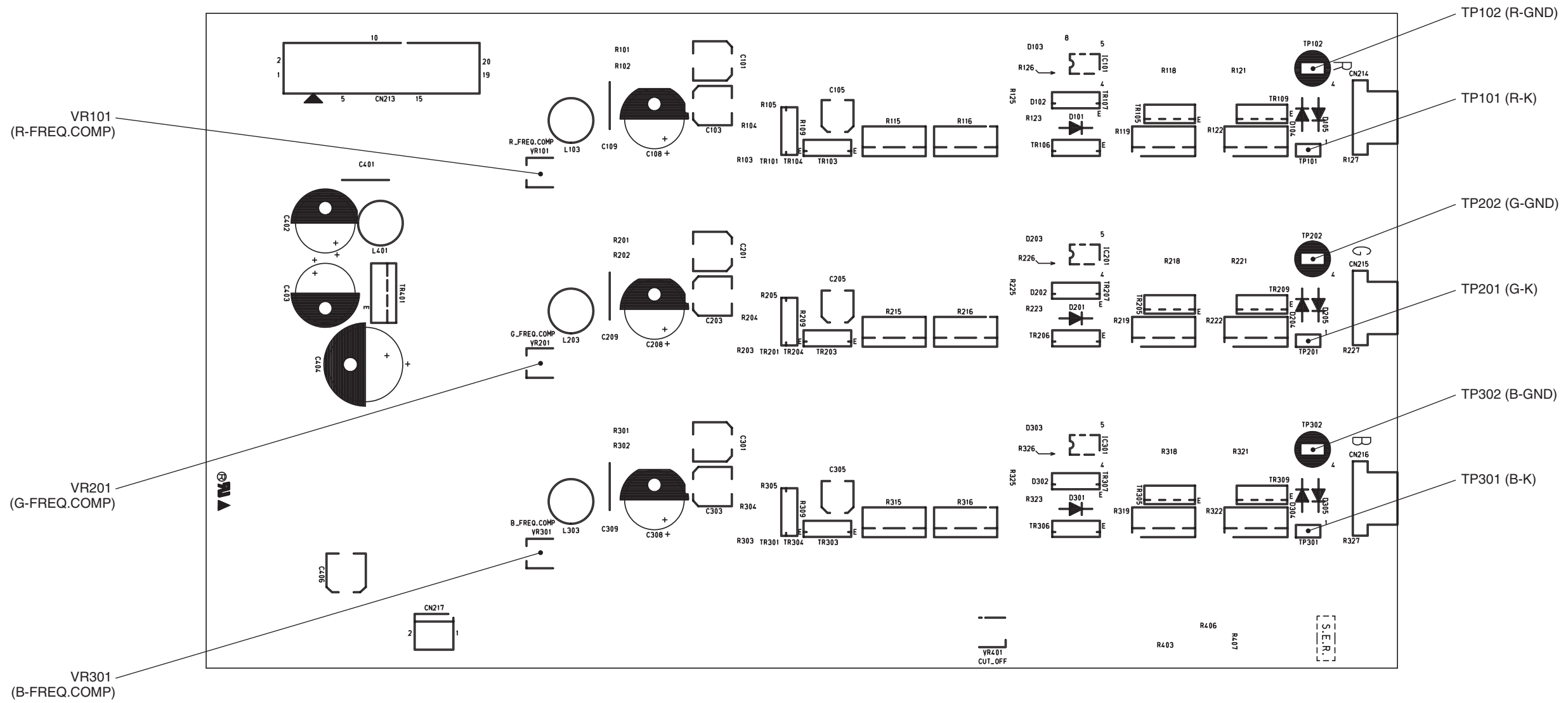




HTM-1517R/1917R
 MULTI FORMAT COLOR MONITOR
 RGB OUT BOARD
 SCHEMATIC DIAGRAM

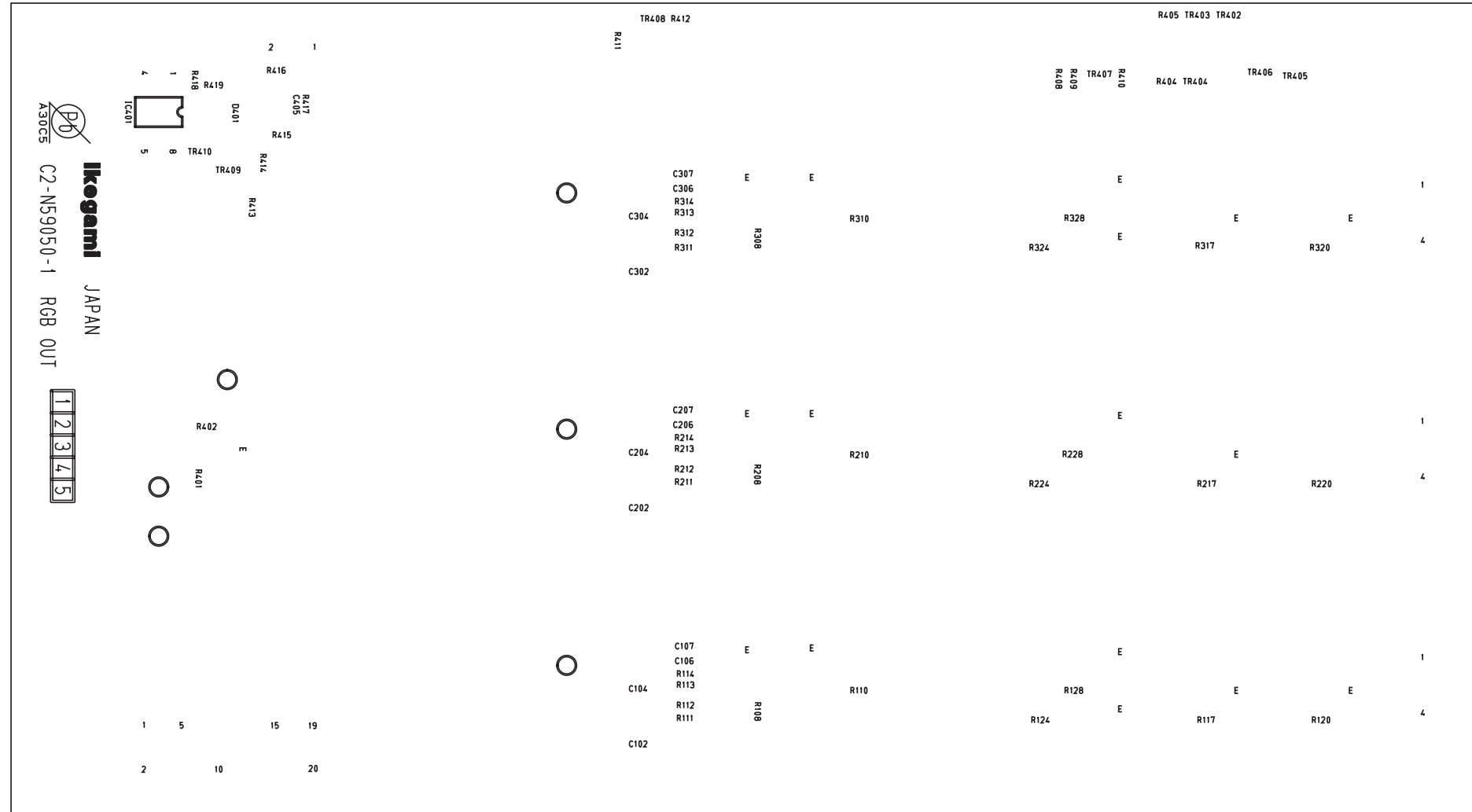
C3-905900

A SIDE

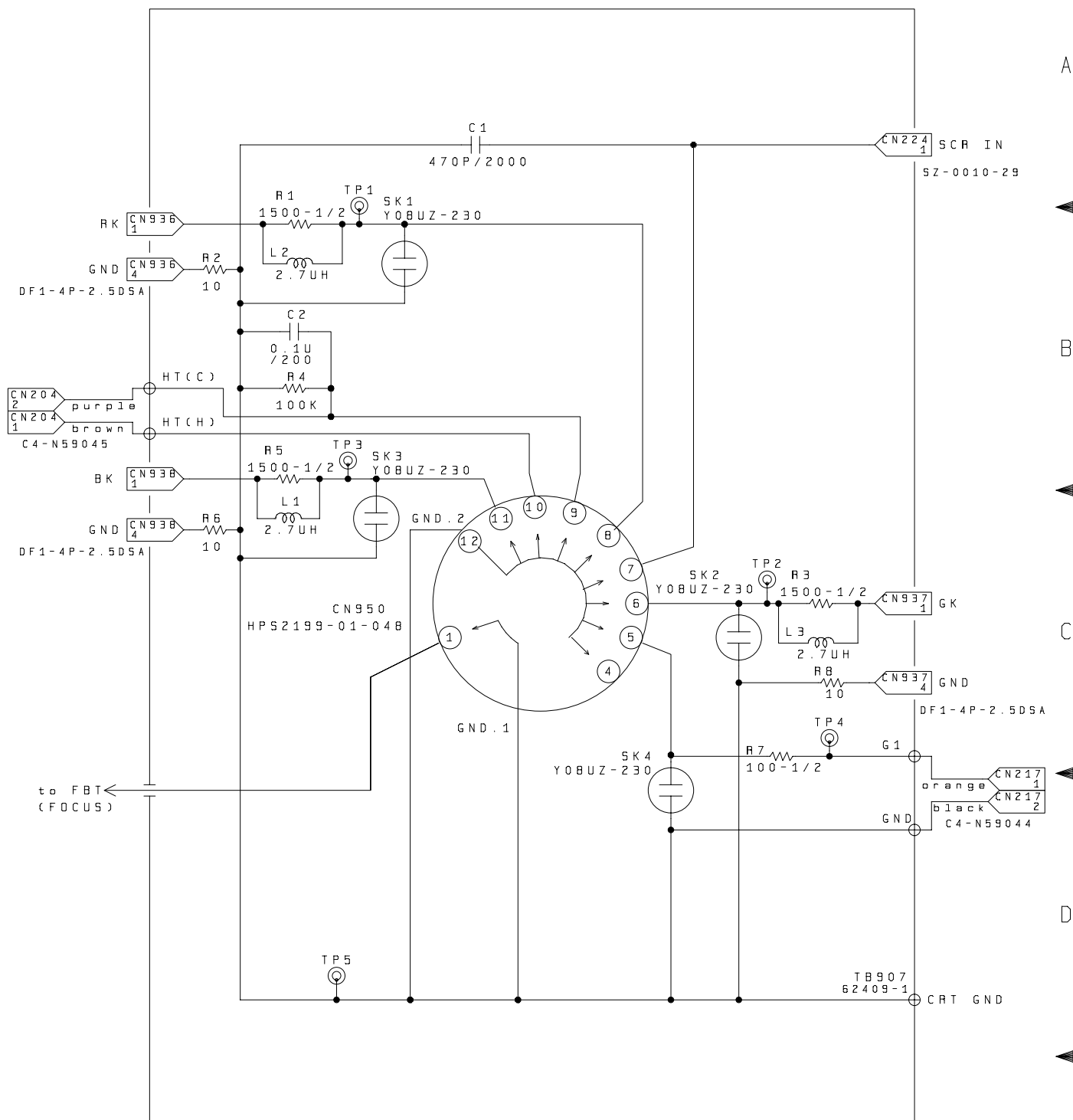


RGB OUT BOARD
Parts Location
C2-N59050

B SIDE



RGB OUT BOARD
Parts Location
C2-N59050



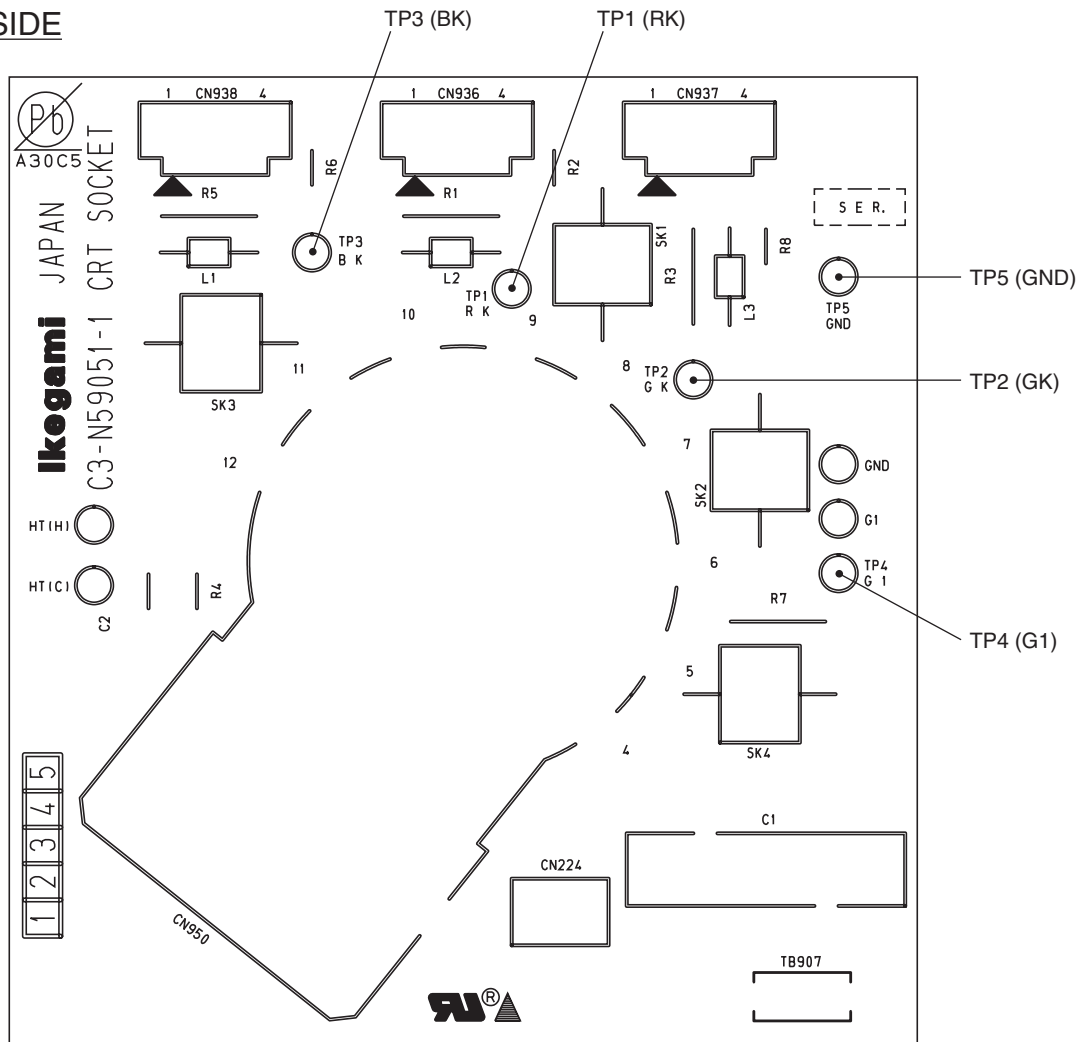
HTM-1517R
 MULTI FORMAT COLOR MONITOR
 CRT SOCKET BOARD
 SCHEMATIC DIAGRAM

1 / 1

REV

C4-905417 3 F

A SIDE



**CRT-S BOARD
Parts Location
C3-N59051**

C. DEF and POWER SYSTEM

<Substrate>

- DEF BOARD
- HV OUT BOARD
- POWER BOARD

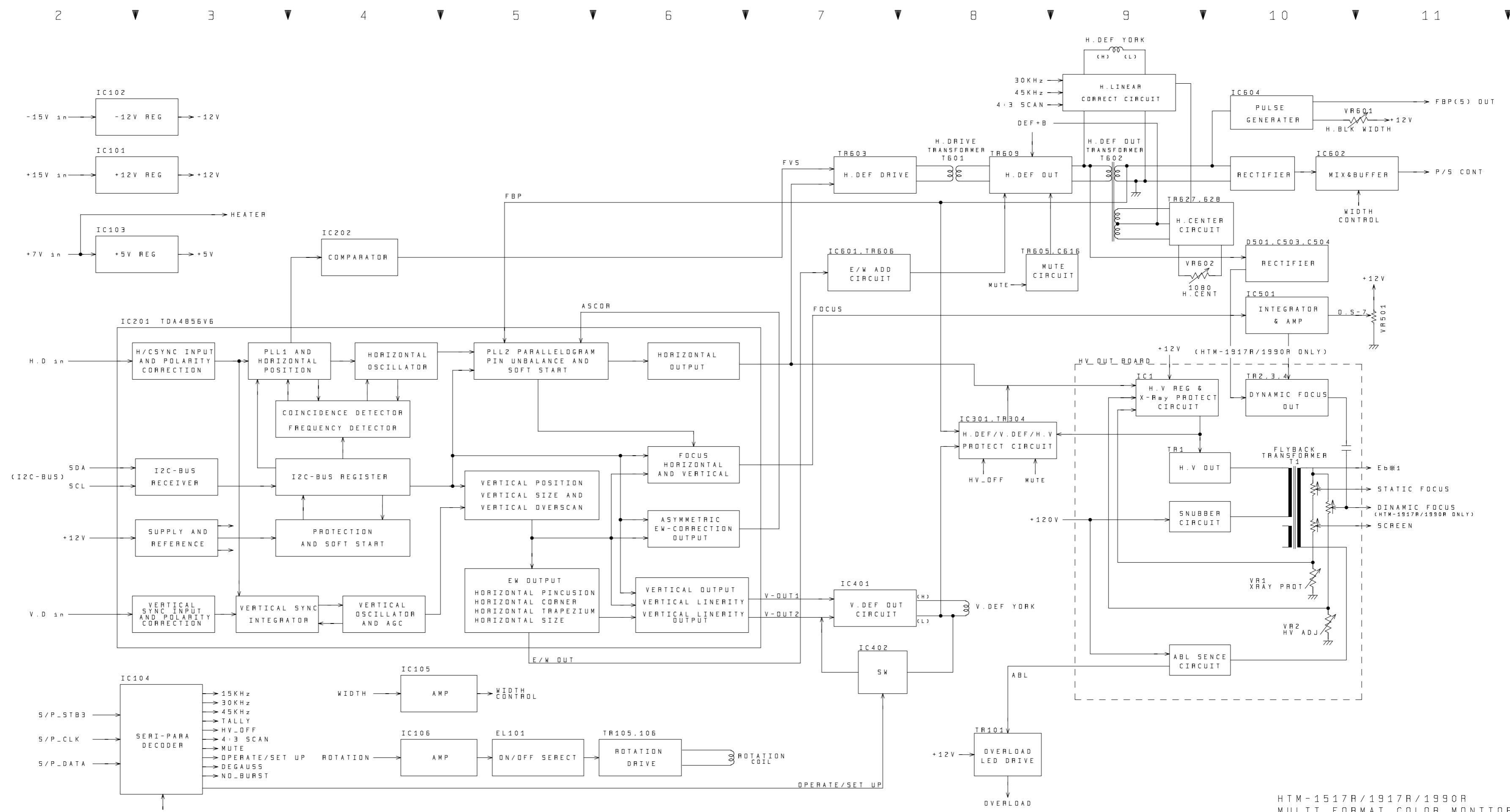
DEF BOARD/HV OUT BOARD

(1) Circuit Structure

- (a) Vertical deflection Circuit
- (b) Horizontal deflection Circuit
- (c) Protection Circuit
- (d) Horizontal centering Circuit
- (e) Rotation Circuit
- (f) High voltage output Circuit

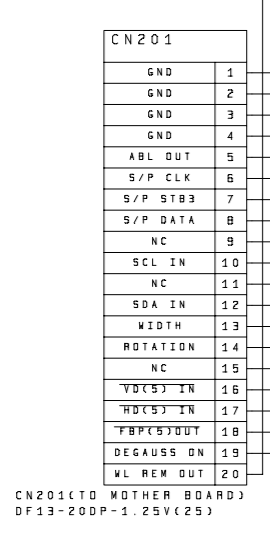
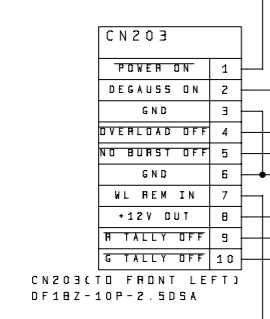
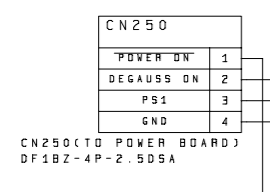
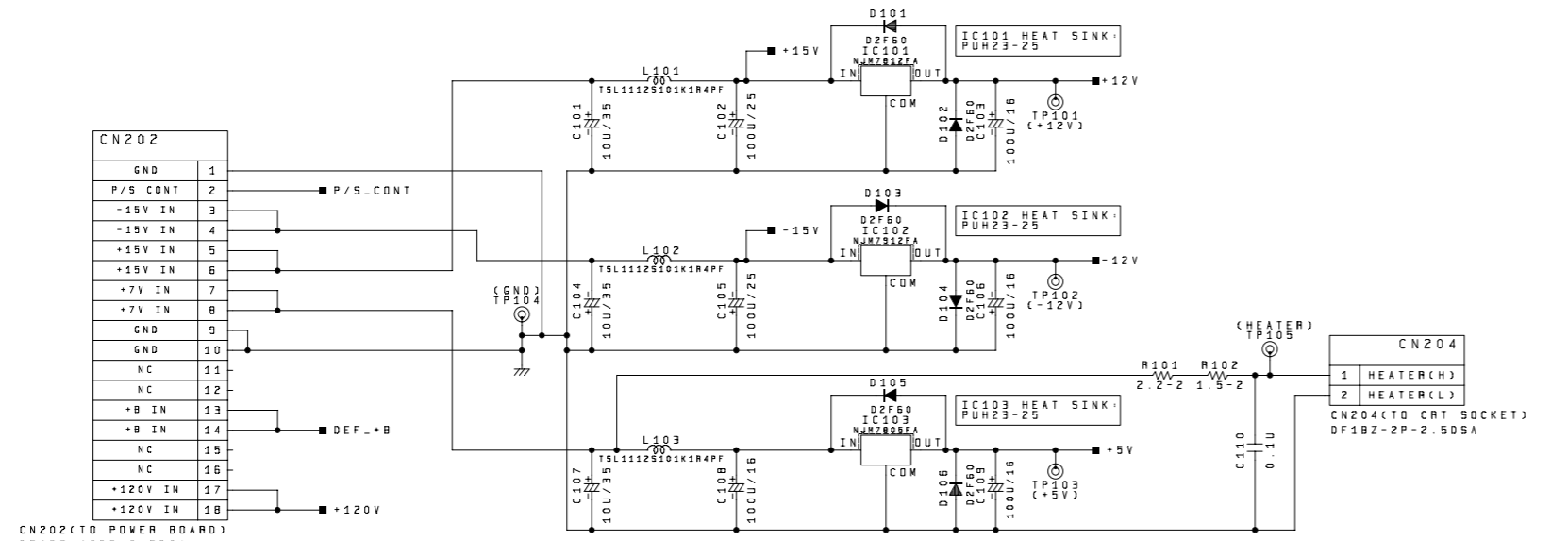
(2) Adjustment Method

- (a) EL101 [EL Bit Switch] : DEF BOARD
Select ON-OFF of rotation circuit. The default value is ON.
- (b) VR501 [O.S - 7] : DEF BOARD
Set so that the DC level is 5.5V if the H.FOCUS and V.FOCUS data is 0% for TP501.
- (c) VR601 [H.BLK WIDTH] : DEF BOARD
Set so that the pulse width of the negative pulse is 2.5 uS for TP606.
- (d) VR602 [1080_ H.CENT_ADJ] : DEF BOARD
Set so that the raster comes to the center position of the screen for 1080i/60 input.
- (e) VR1 [X-RAY PROT] : HV OUT BOARD
VR2 [HV ADJ] : HV OUT BOARD
 1. Connect the high voltage meter to the anode cap of the CRT.
 2. Set CONTRAST VR and BRIGHTNESS VR to the manual mode and set to MIN.
 3. Temporarily set the high voltage output to the following values with VR2.
HTM-1517R : 27.5KV
HTM-1917R/1990R : 28.5KV
 4. Rotate VR1 from MIN in a clockwise direction up to when protection operates.
When protection operates, turn the power switch OFF.
 5. After returning the setting position of VR2 from the MIN position, turns the power switch ON.
 6. Use VR2 to set the high voltage output as follows.
HTM-1517R : 25KV
HTM-1917R/1990R : 26KV



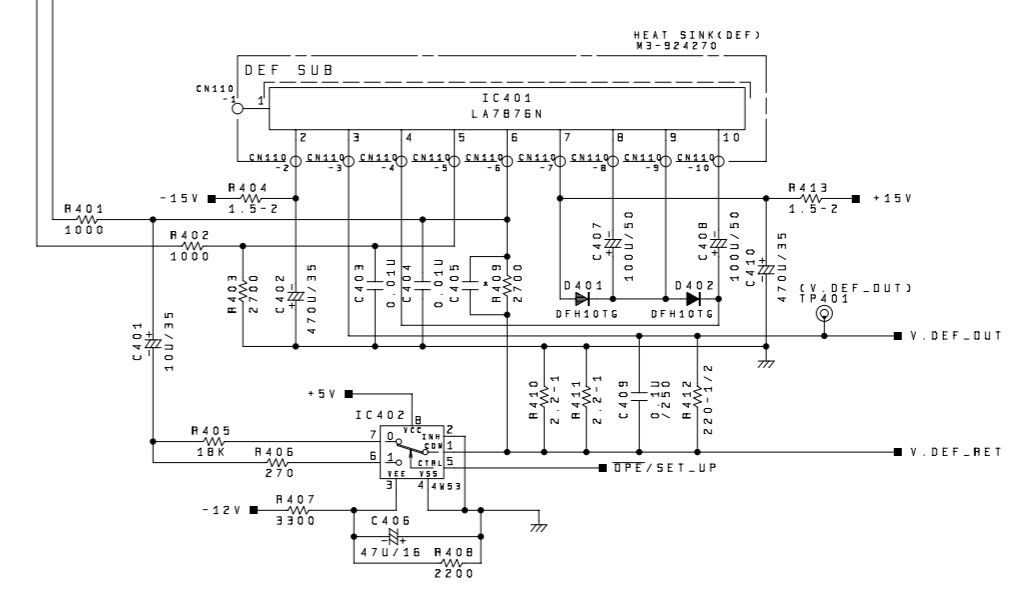
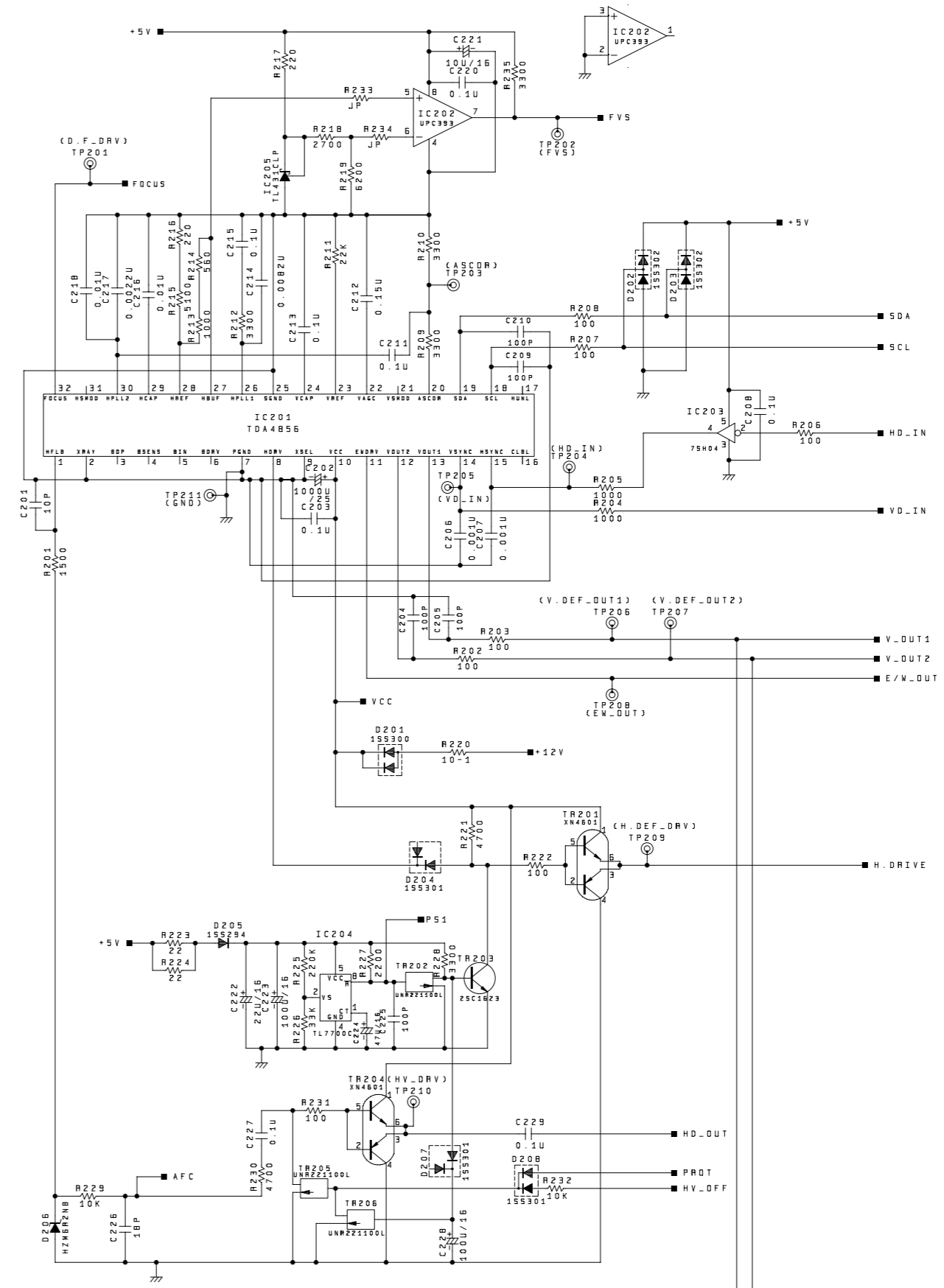
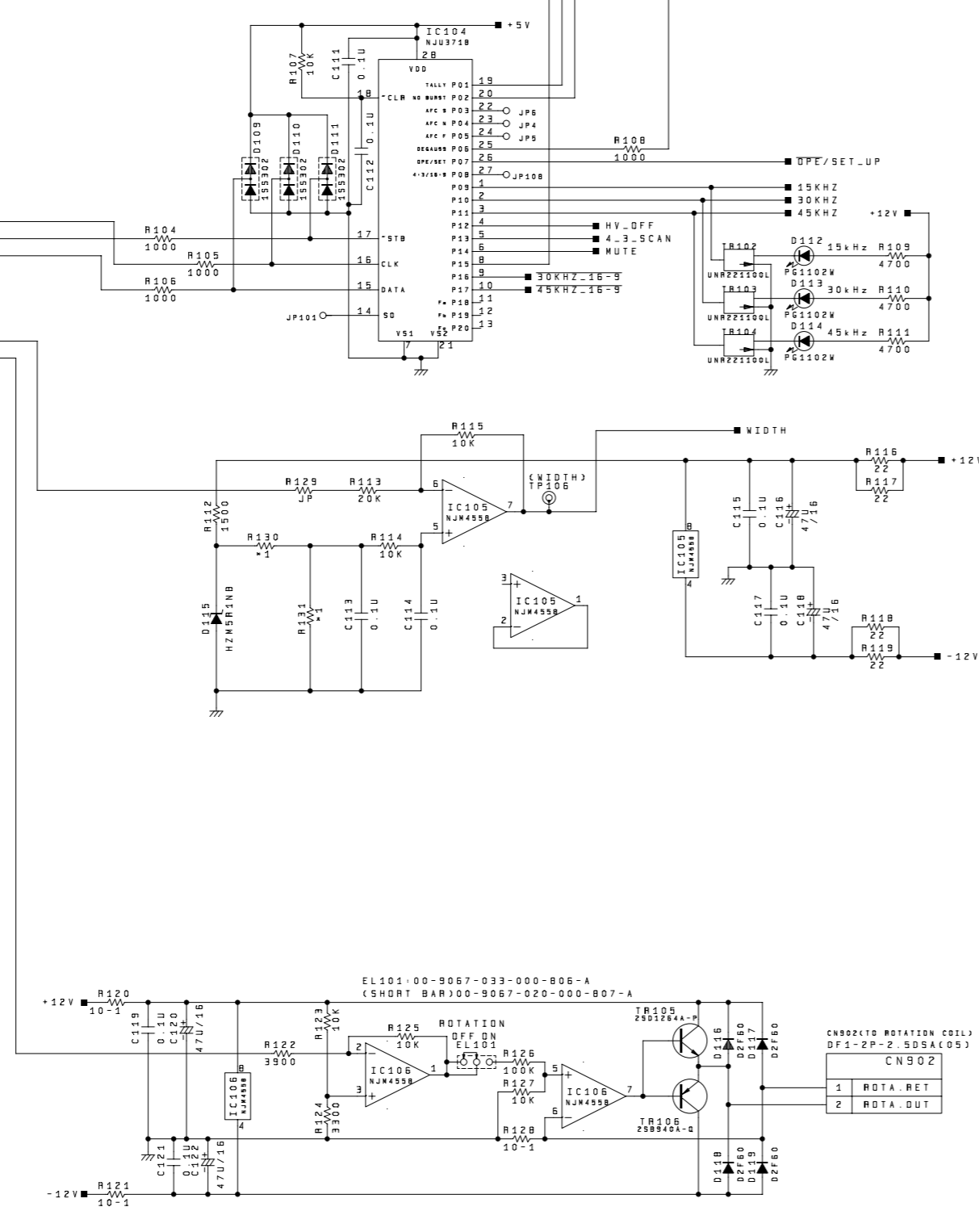
Note:
 #1 For the high voltage, HTM-1517 is 25kV and HTM-1917R/1990R is 26kV.

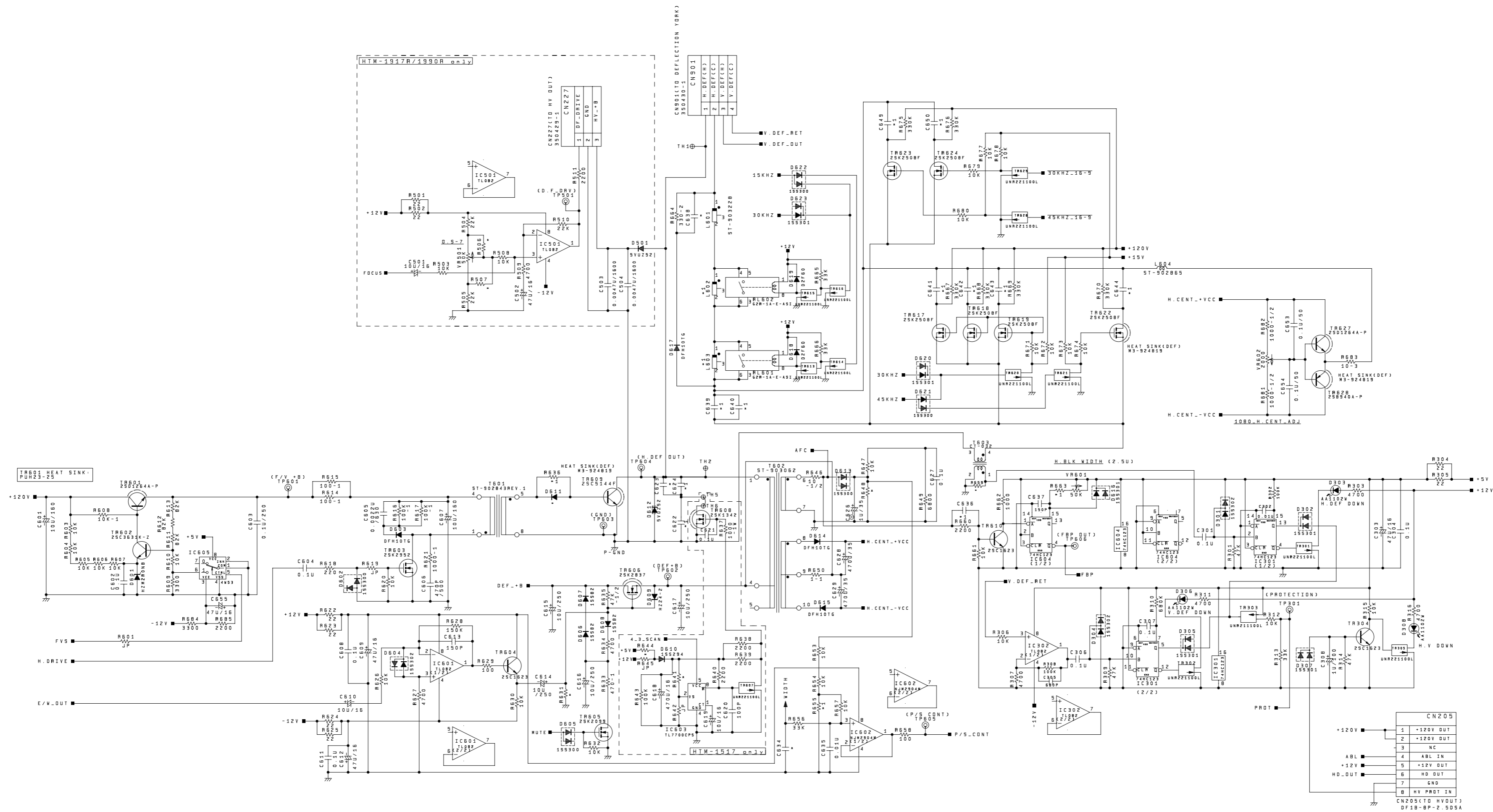
HTM-1517R/1917R/1990R
 MULTI FORMAT COLOR MONITOR
 DEF BOARD/HV OUT BOARD 1/1 F
 BLOCK DIAGRAM
 C21-905929



*1 parts contents

MONITOR TYPE	R130	R131
HTM-1517	2200	3300
HTM-1917R/1990R	3300	6200

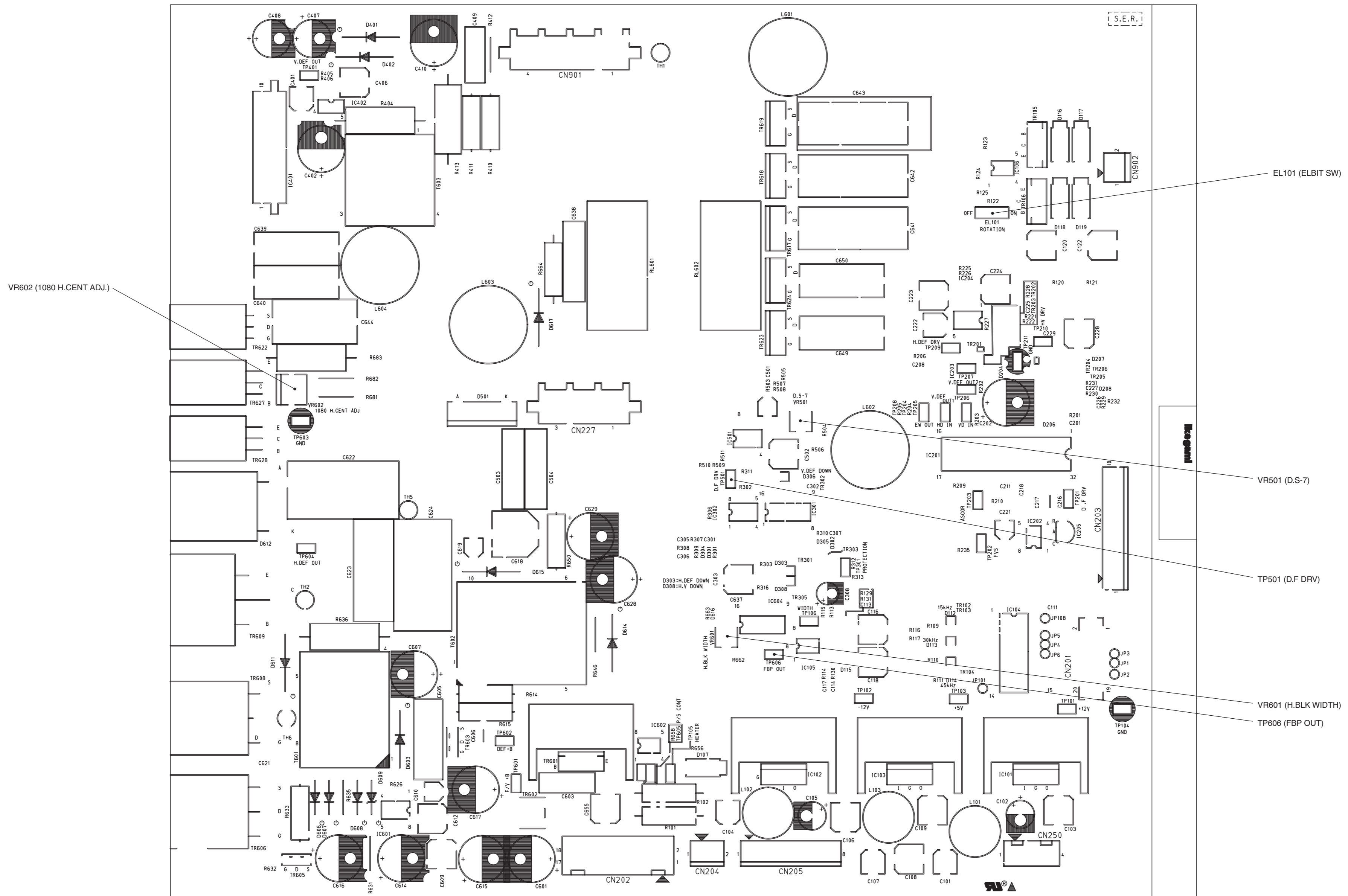




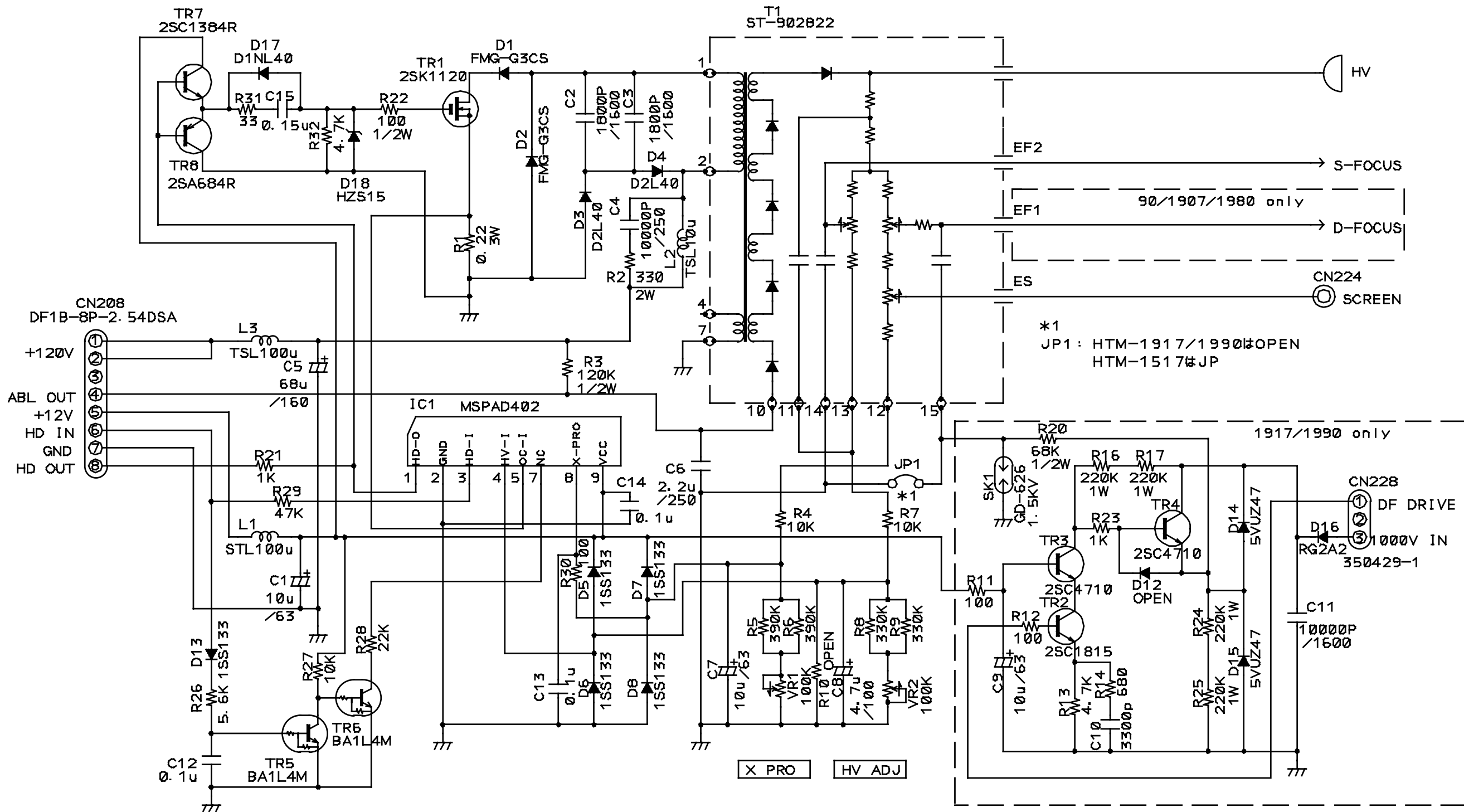
*1 PARTS LIST

MONITOR TYPE	C622	C624	R636	L602	L603	C639	C640	C641	C642	C643	C644	C649	C650	R655	C636	R663
HTM-1517	0.0056U/1800VHP	0.0047U/1800VHP	1-3W	ST-902866	ST-903261	0.1U/800V	0.1U/800V	1U/250V	1U/250V	1U/250V	0.33U/250V	0.15U/250V	0.22U/250V	2200	470P	6800
HTM-1917R/1990R	0.015U/1800VHP	0.01U/1800VHP	0.47-3W	ST-903266	ST-903065	0.33U/630V	0.22U/630V	2.2U/250V	2.2U/250V	3.9U/250V	0.82U/250V	0.47U/250V	0.82U/250V	3300	NOT USED	4700

A SIDE



DEF BOARD
Parts Location
PE7713E

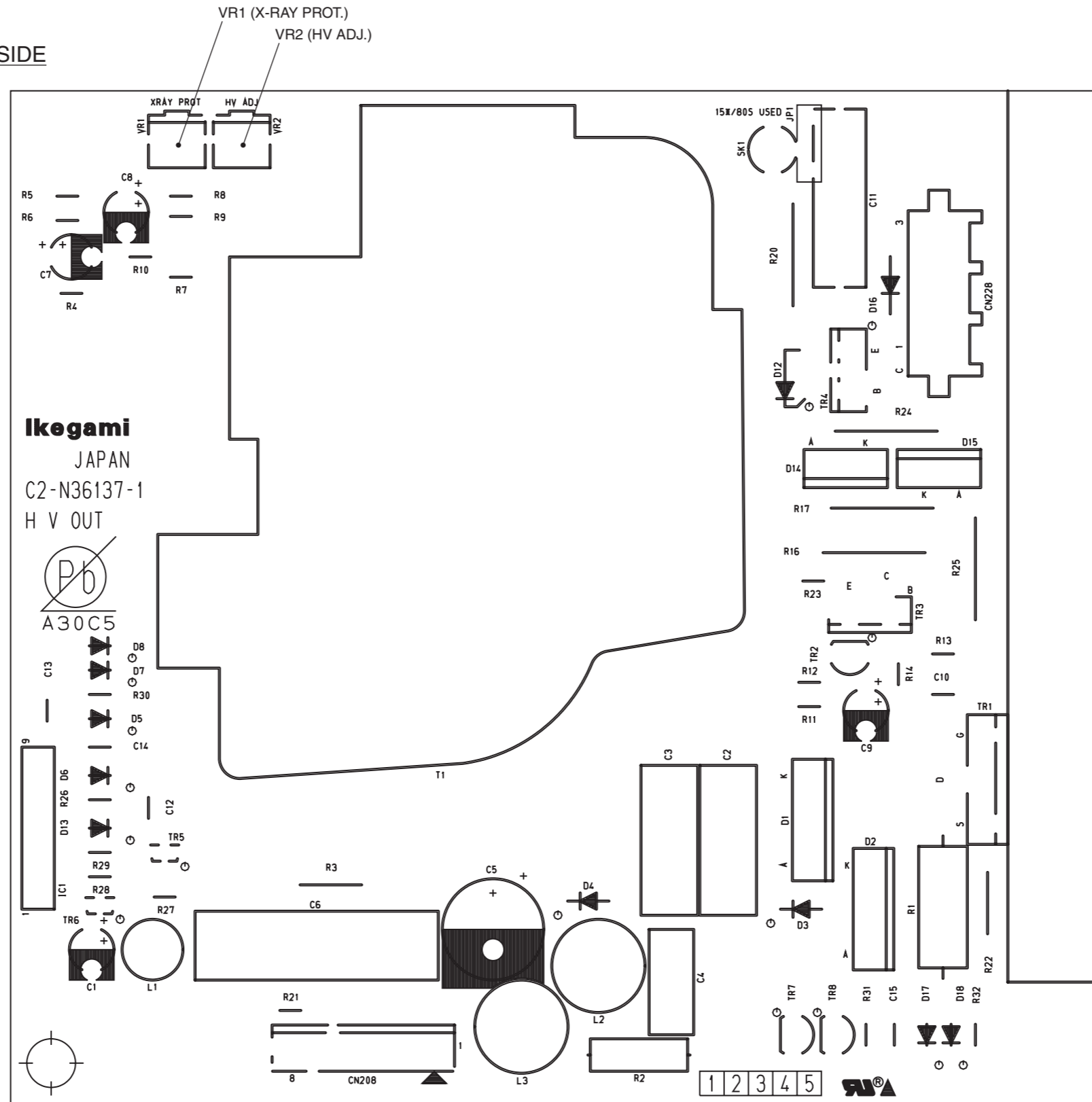


HTM-1517R/1917R/1990R
MULTI FORMAT COLOR MONITOR

HV OUT BOARD 1/1
SHCEMATIC DIAGRAM

C3-N36175

A SIDE



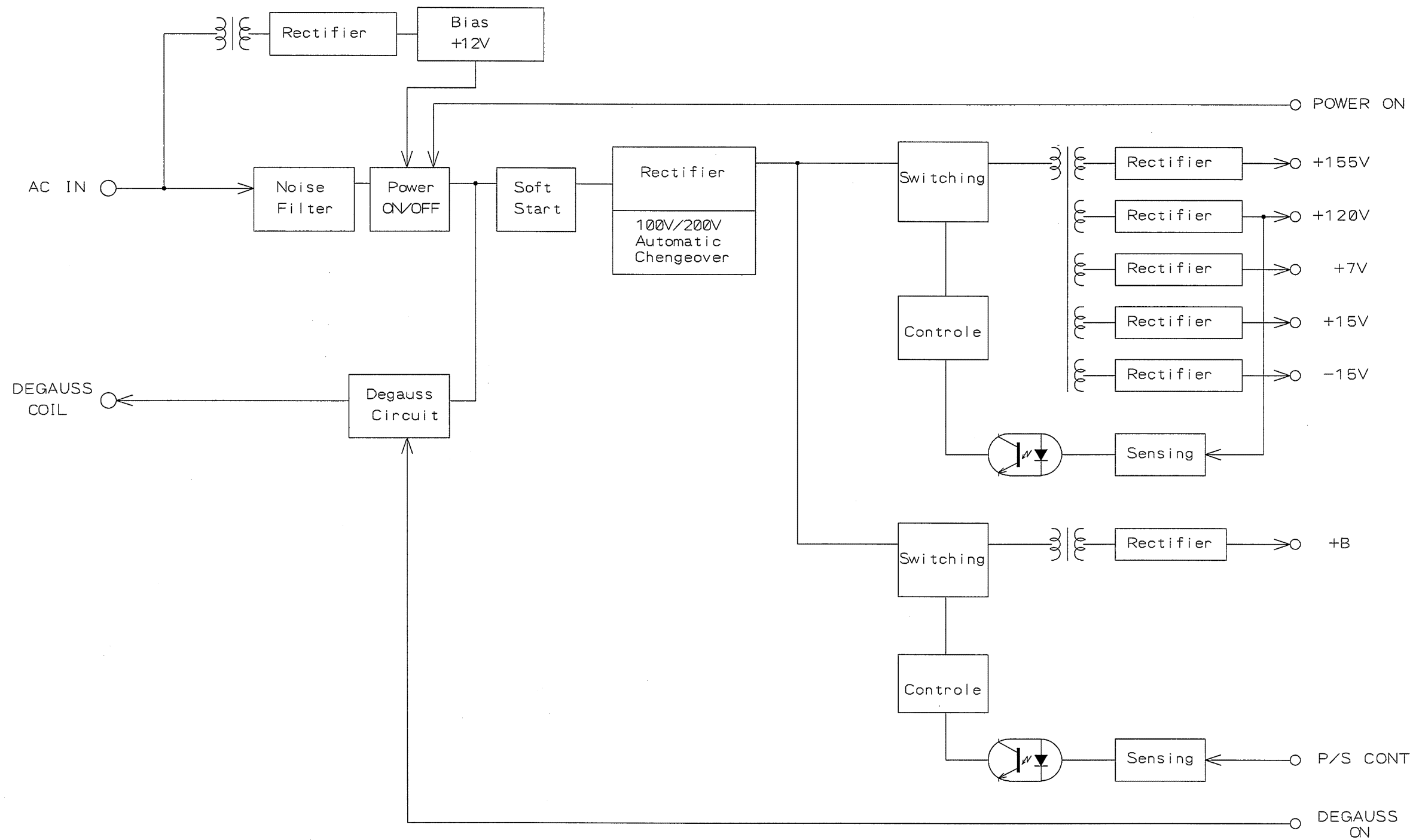
HV BOARD
Parts Location
C2-N36137

(1) Circuit Structure

- (a) Automatic input voltage (100V/200V) switching Circuit.
- (b) Degauss Circuit
- (c) Main Power Circuit
- (d) DEF+B Power Circuit

(2) Adjustment Method

- (a) VR1 [120V ADJ]
Adjust TP2 Voltage to $120V \pm 1V$.
- (b) Confirm that the TP terminal voltage are the following values:
 - TP1: 155V ~ 170V
 - TP3: 6V ~ 7.5V
 - TP5: 14V ~ 17V
 - TP6: -14V ~ -17V

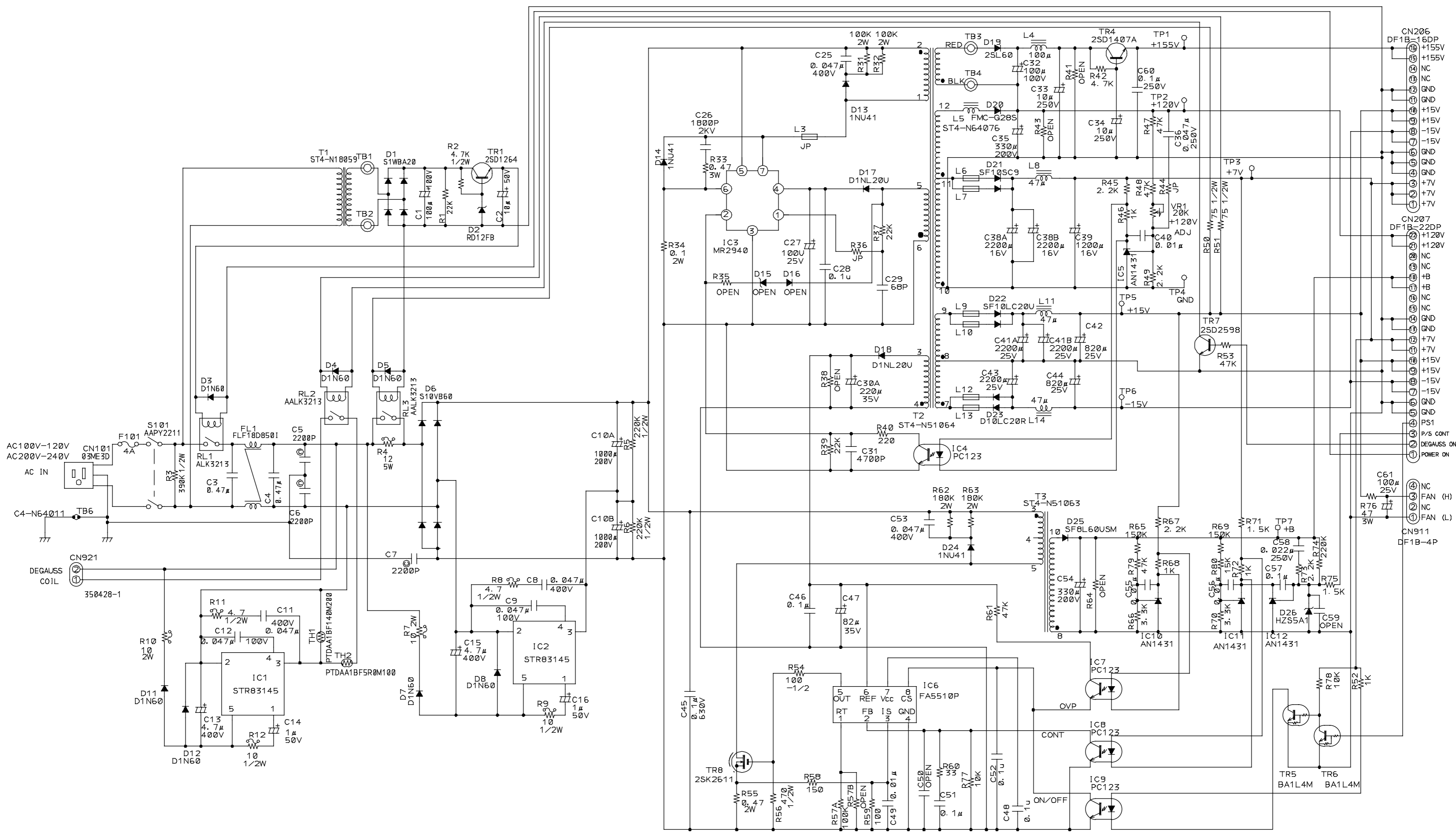


HTM-1517R/1917R
MULTI FORMAT COLOR MONITOR

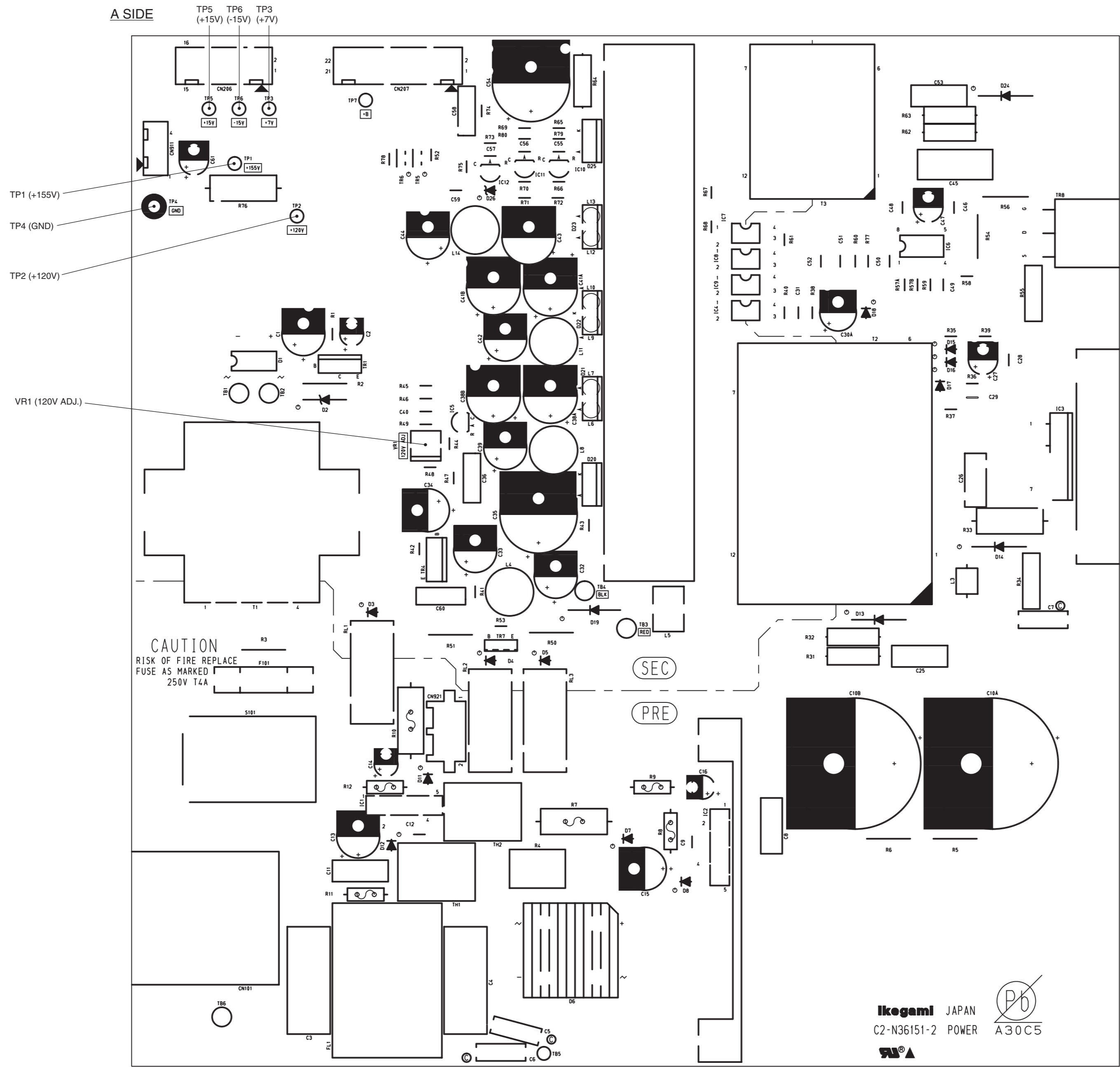
POWER USA BOARD 1/1
BLOCK DIAGRAM

C3-N64150

1-C-11



HTM-1517R/1917R
 MULTI FORMAT COLOR MONITOR
 POWER USA BOARD
 SCHEMATIC DIAGRAM



POWER-UL BOARD
 Parts Location
 C2-N36151

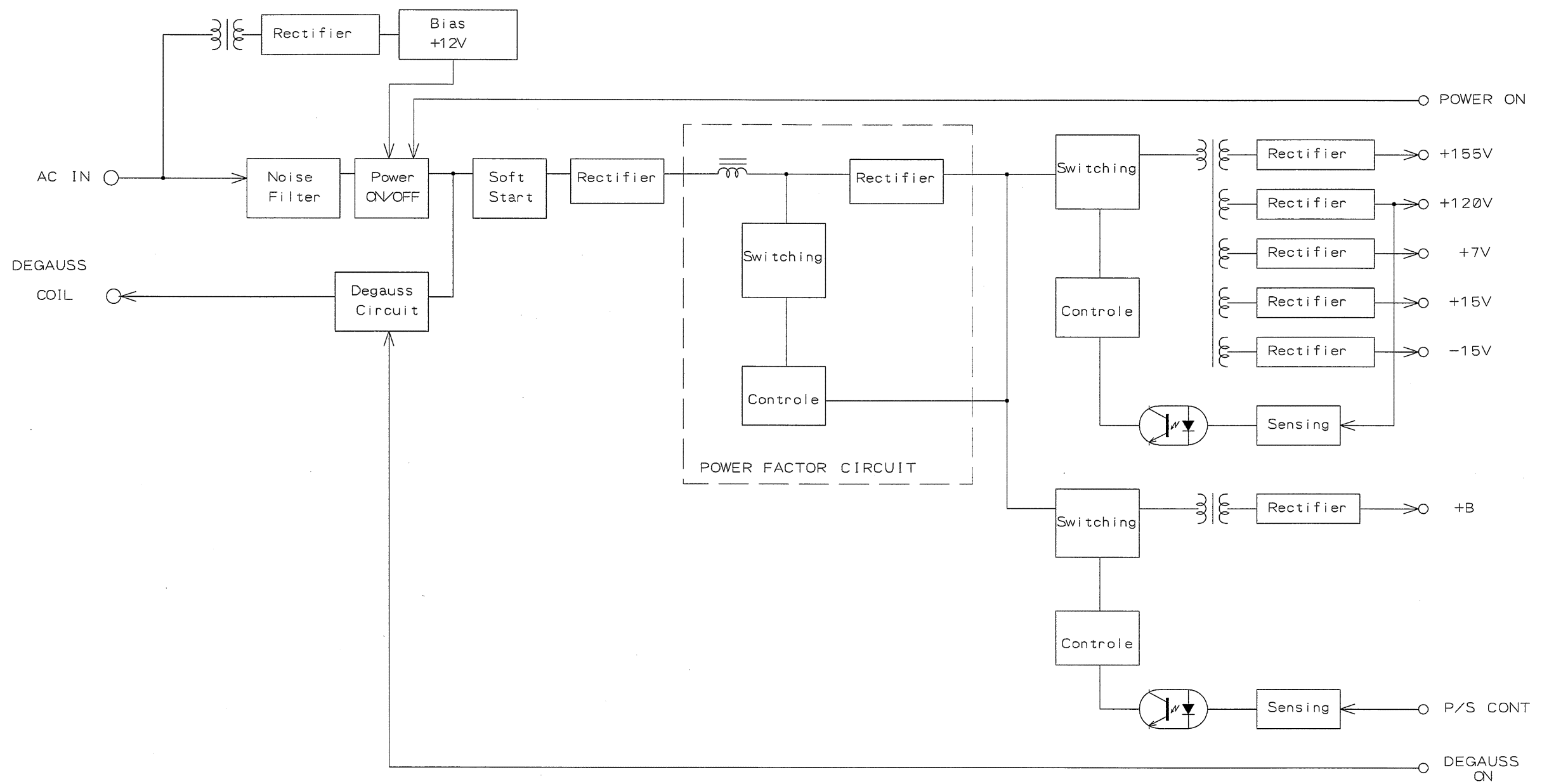
POWER EUR BOARD

(1) Circuit Structure

- (a) Power Factor Circuit
- (b) Degauss Circuit
- (c) Main Power Circuit
- (d) DEF+B Power Circuit

(2) Adjustment Method

- (a) VR1 [120V ADJ]
Adjust the TP2 Voltage to $120V \pm 1V$.
- (b) Confirm that the TP terminal voltages are as follows:
 - TP1: 155V ~ 170V
 - TP3: 6V ~ 7.5V
 - TP5: 14V ~ 17V
 - TP6: -14V ~ -17V

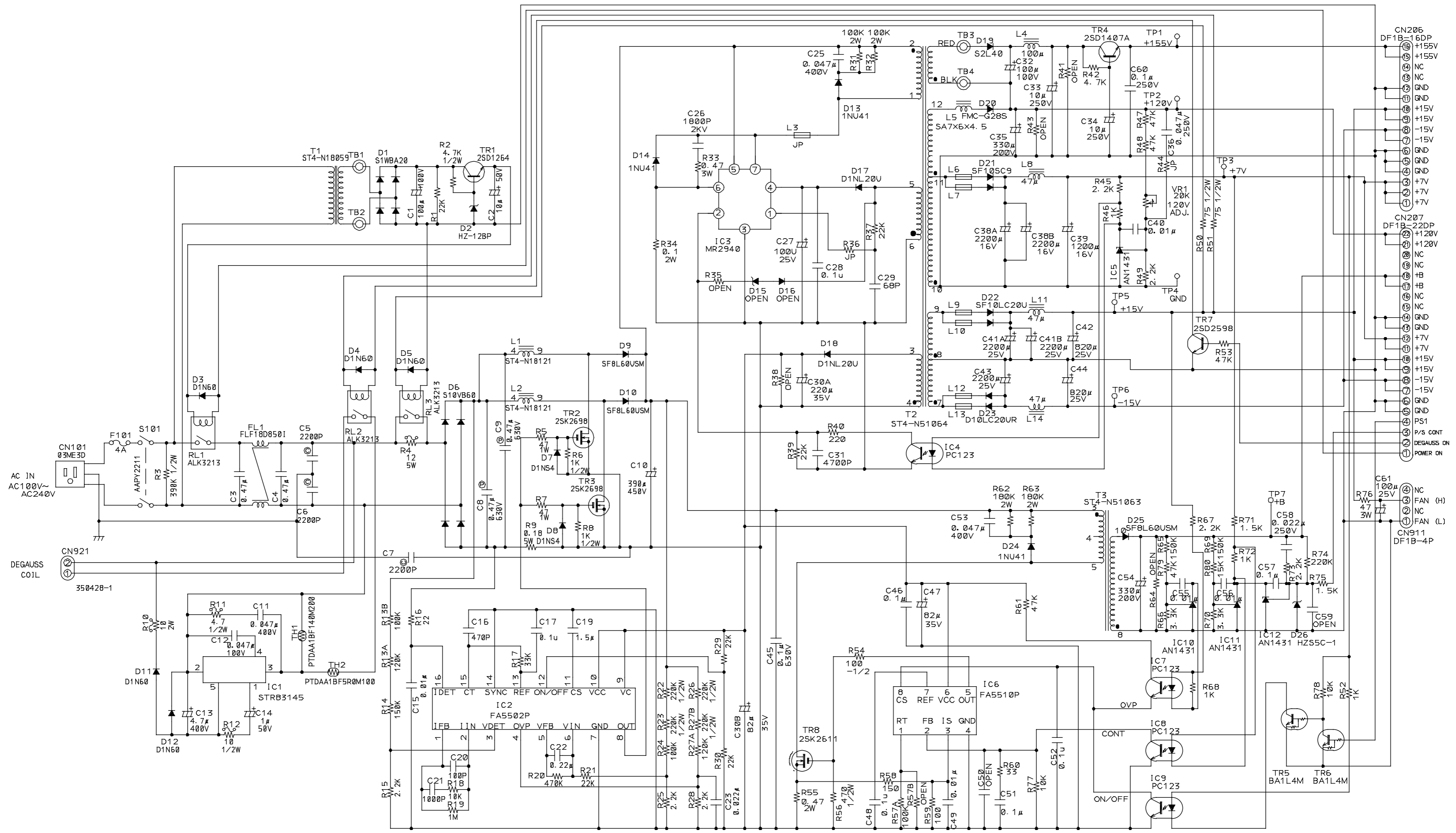


HTM-1517R/1990R
 MULTI FORMAT COLOR MONITOR

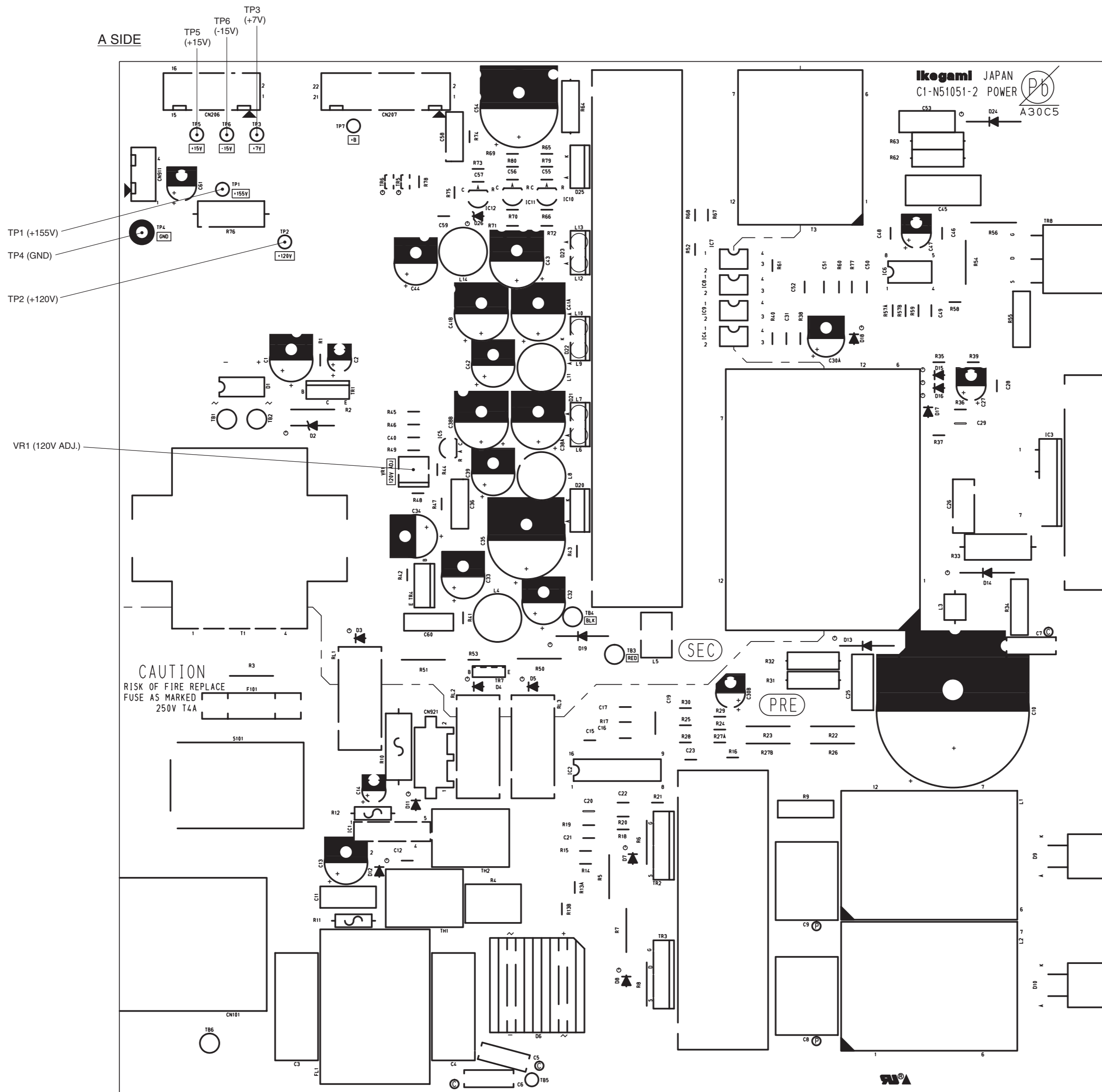
POWER EUR BOARD 1/1
 BLOCK DIAGRAM

C3-N64151

1-C-15



HTM-1517R/1990R
 MULTI FORMAT COLOR MONITOR
 POWER EUR BOARD
 SCHEMATIC DIAGRAM



POWER-CE BOARD
Parts Location
C1-N51051

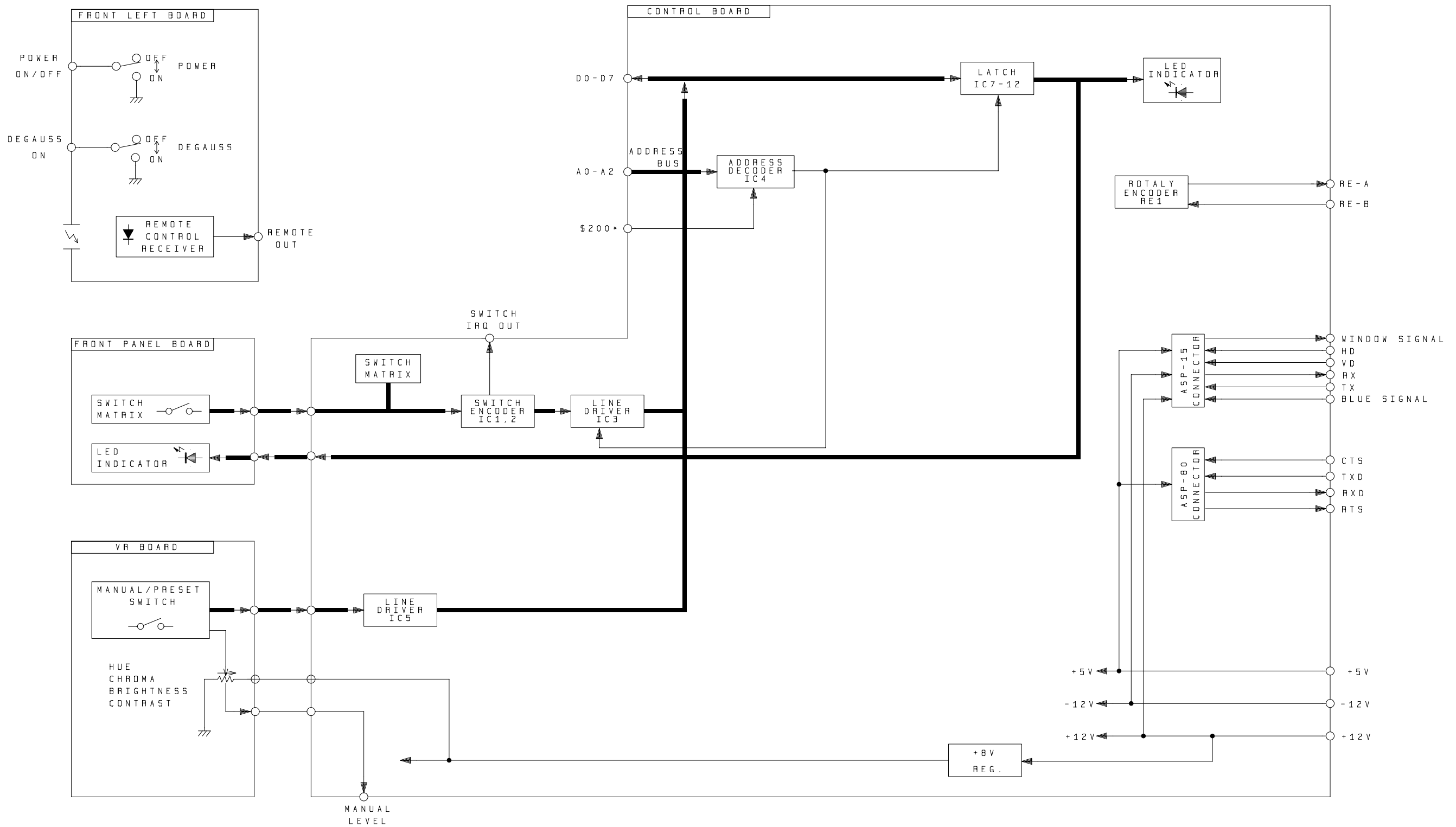
D. CONTROL SYSTEMS

< Substrate>

- FRONT PANEL BOARD
- FRONT LEFT BOARD
- CONTROL / VR BOARD
- LED BOARD

(1) Circuit Structure

- (a) Switch Matrix Circuit
- (b) I/O Processing Circuit

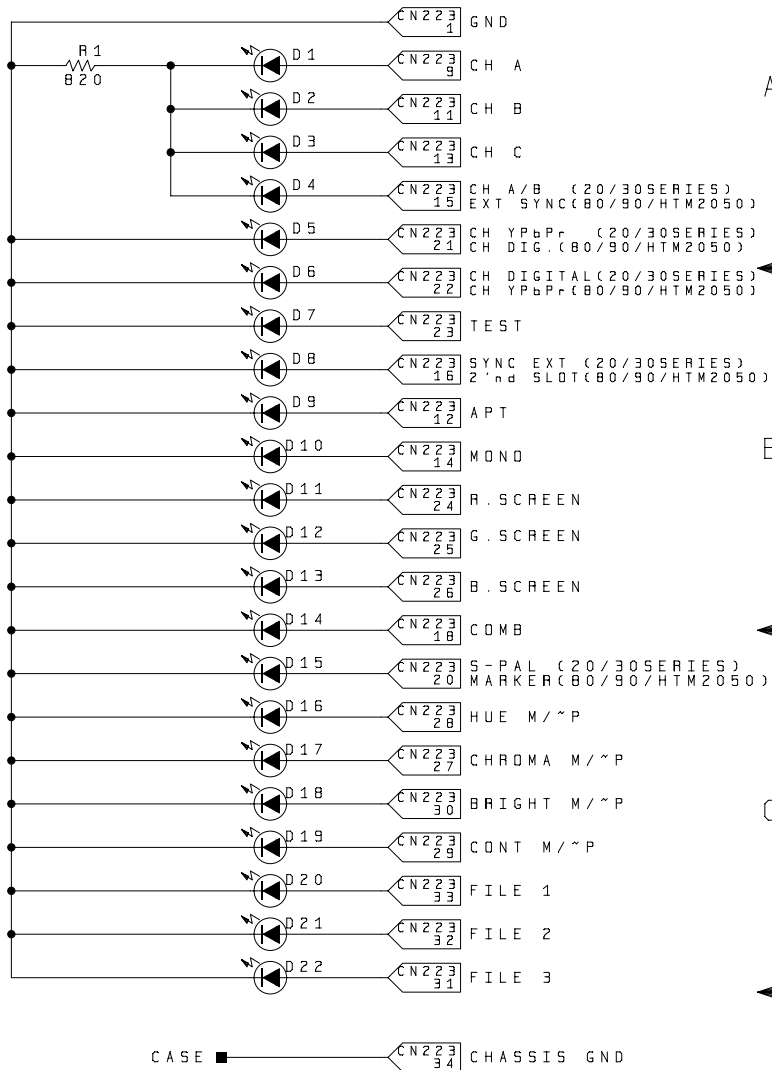


HTM-1517R/1917R/1990R
MULTI FORMAT COLOR MONITOR

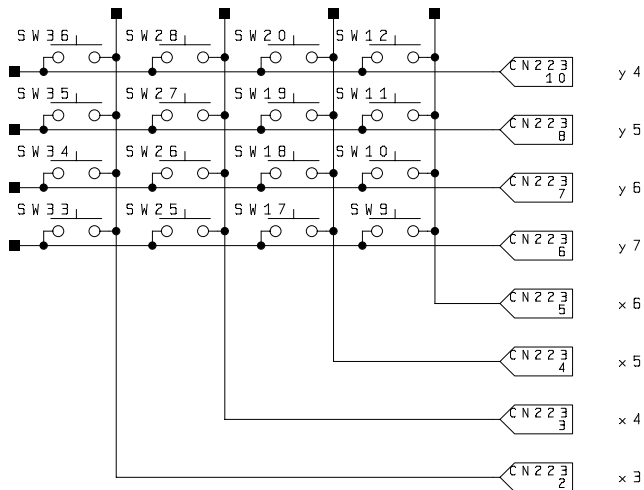
CONTROL SYSTEM 1 / 1
BLOCK DIAGRAM

C3-905713

D1 to D15 : TLG226
 D20 to D22 : TLG226
 D16 to D19 : TLY226



S9 : DIGITAL(20/30SERIES)
 YPbPr (80/90/HTM2050)
 S10: R. SCREEN
 S11: G. SCREEN
 S12: B. SCREEN
 S17: DELAY (20/30SERIES)
 ASPECT(80/90/HTM2050)
 S18: MONO
 S19: SCAN
 S20: APT
 S25: SYNC EXT (20/30SERIES)
 2'nd SLOT(80/90/HTM2050)
 S26: COMB
 S27: S-PAL (20/30SERIES)
 MARKER(80/90/HTM2050)
 S28: SAFE TITLE(20/30SERIES)
 DELAY (80/90/HTM2050)
 S33: TEST
 S34: UP SELECT
 S35: DOWN SELECT
 S36: YPbPr (20/30SERIES)
 DIGITAL(80/90/HTM2050)



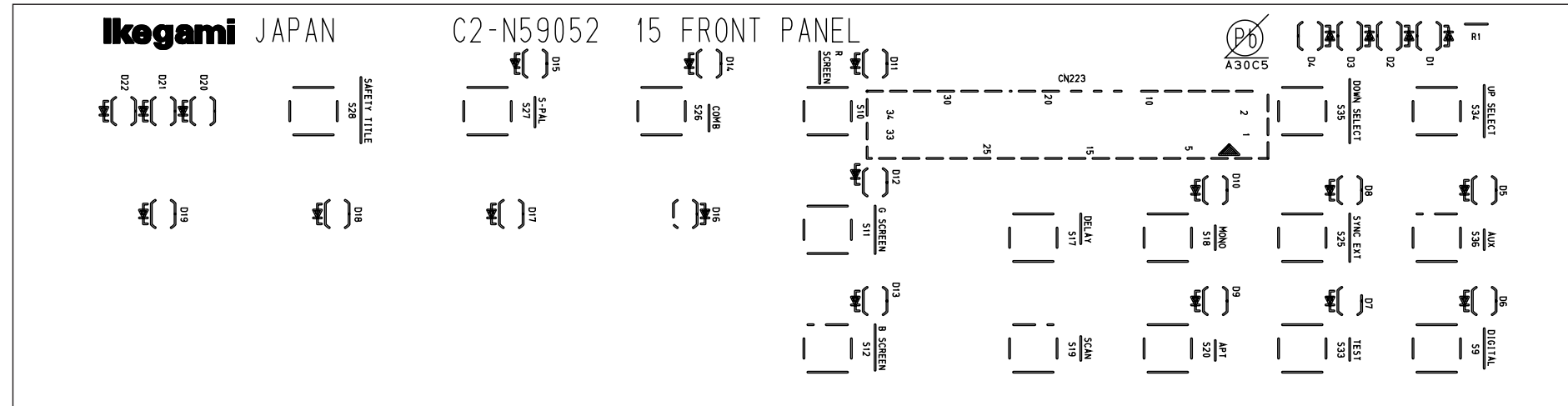
HTM-1517R/1917R/1990R
 MULTI FORMAT COLOR MONITOR

FRONT PANEL BOARD 1 / 1 F
 SCHEMATIC DIAGRAM

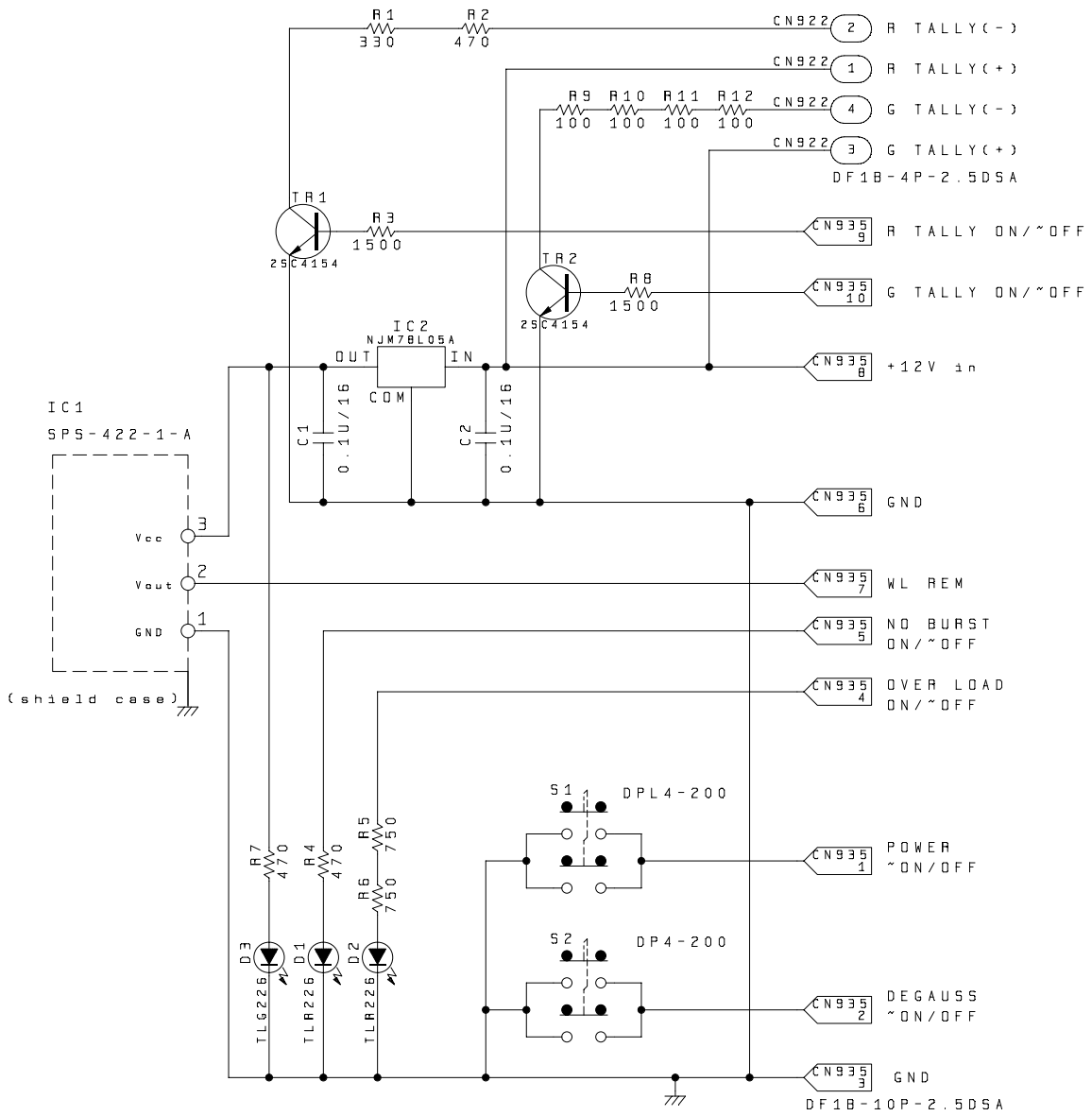
REV.

C 4 - 9 0 4 2 2 5 2

A SIDE



FRONT PANEL BOARD
 Parts Location
 C2-N59052



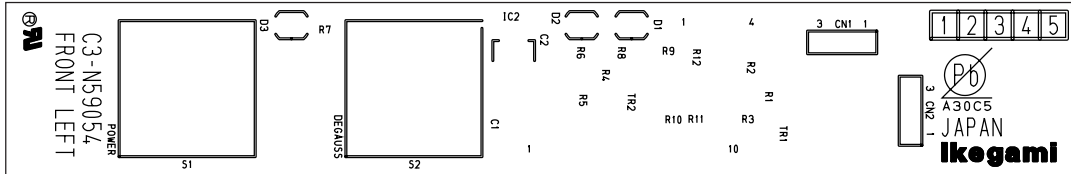
HTM-1517R/1917R/1990R
 MULTI FORMAT COLOR MONITOR
 FRONT LEFT BOARD

1 / 1 F

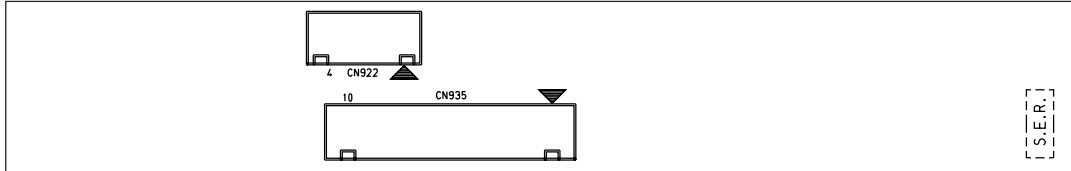
REV.

C4-905339 2

A SIDE

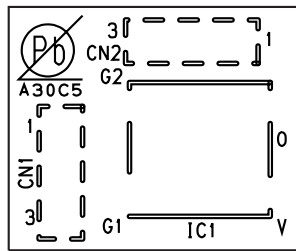


B SIDE

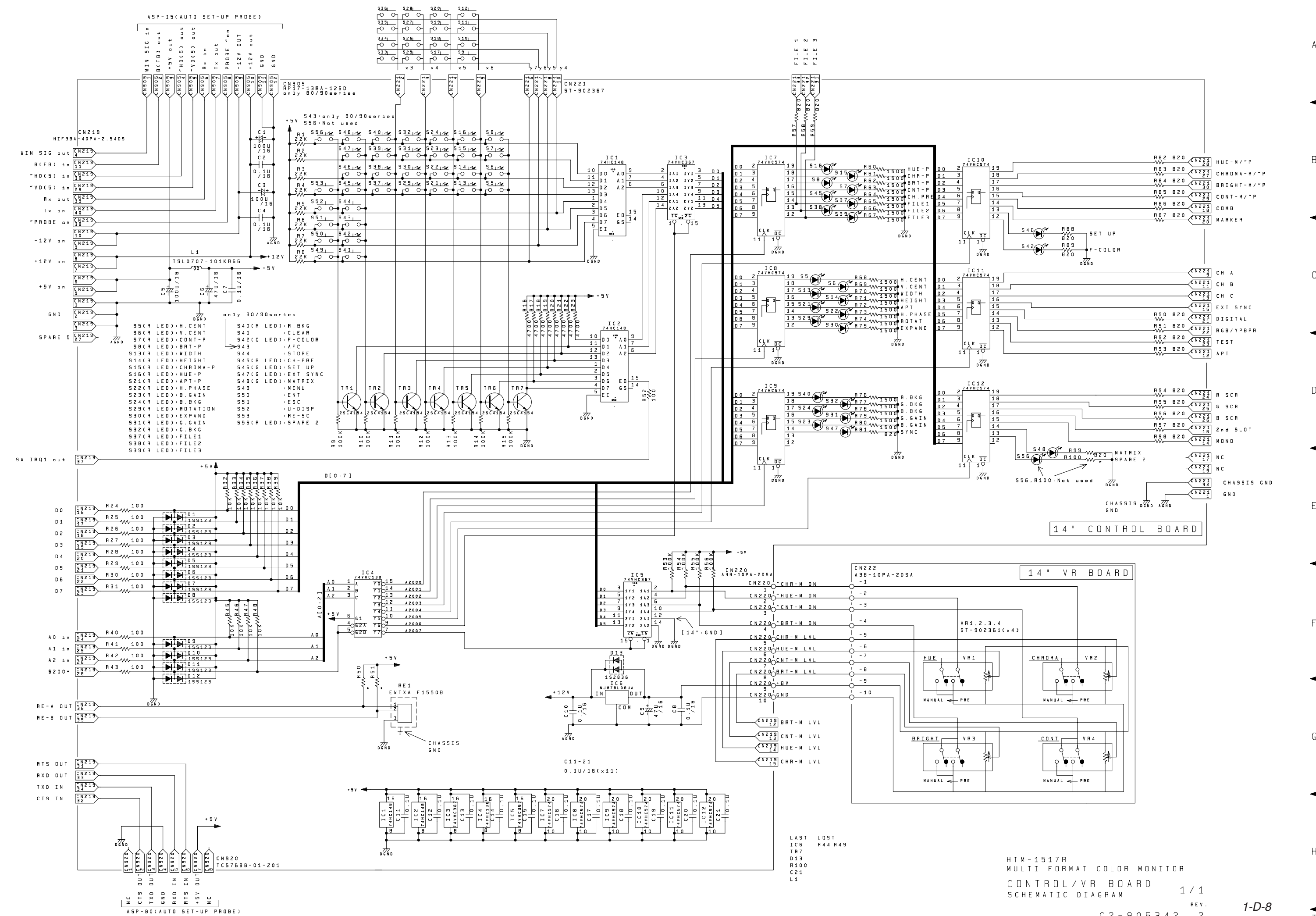


FRONT LEFT BOARD
 Parts Location
 C3-N59054

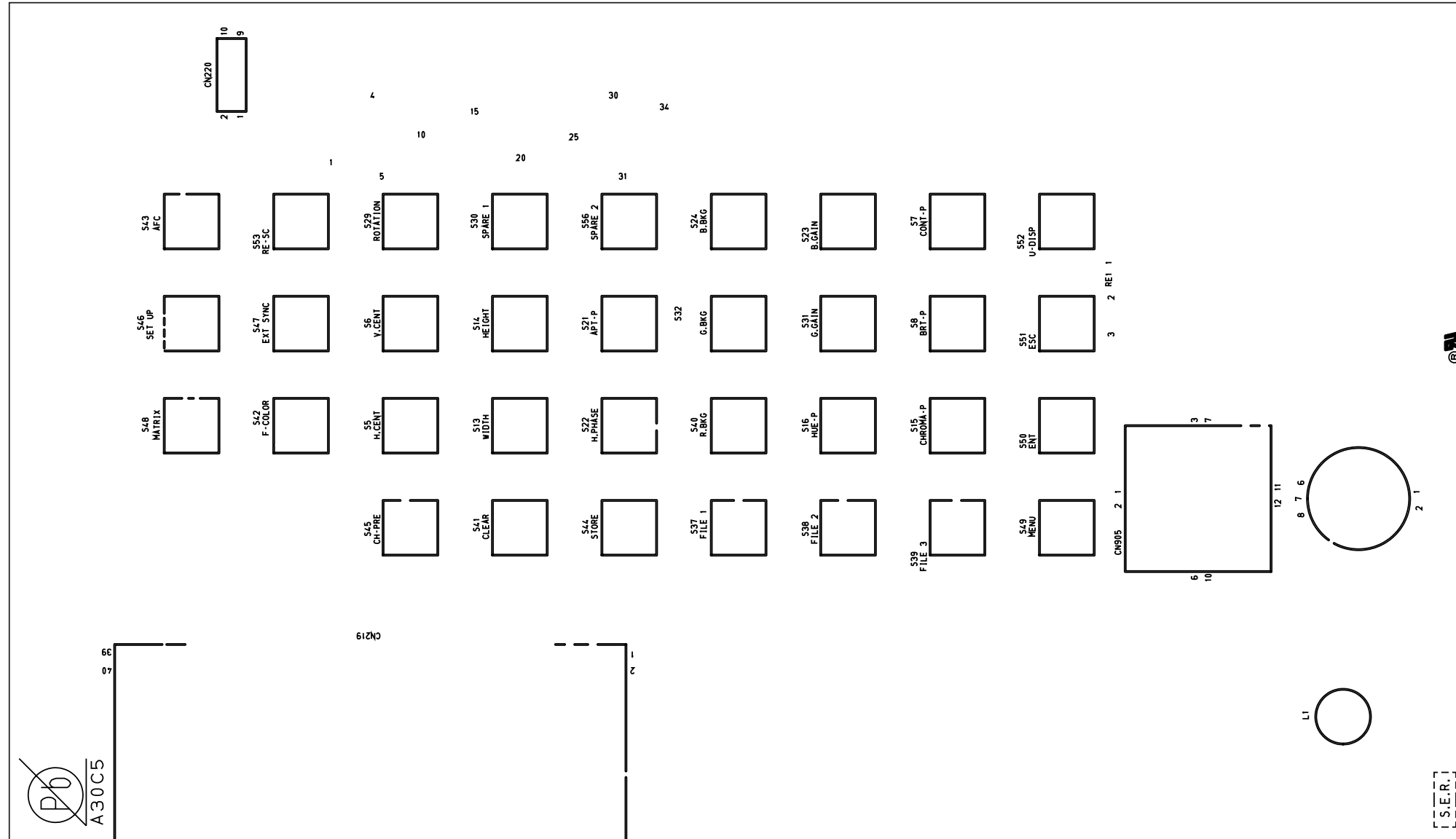
A SIDE



IR BOARD
Parts Location
C4-N59059

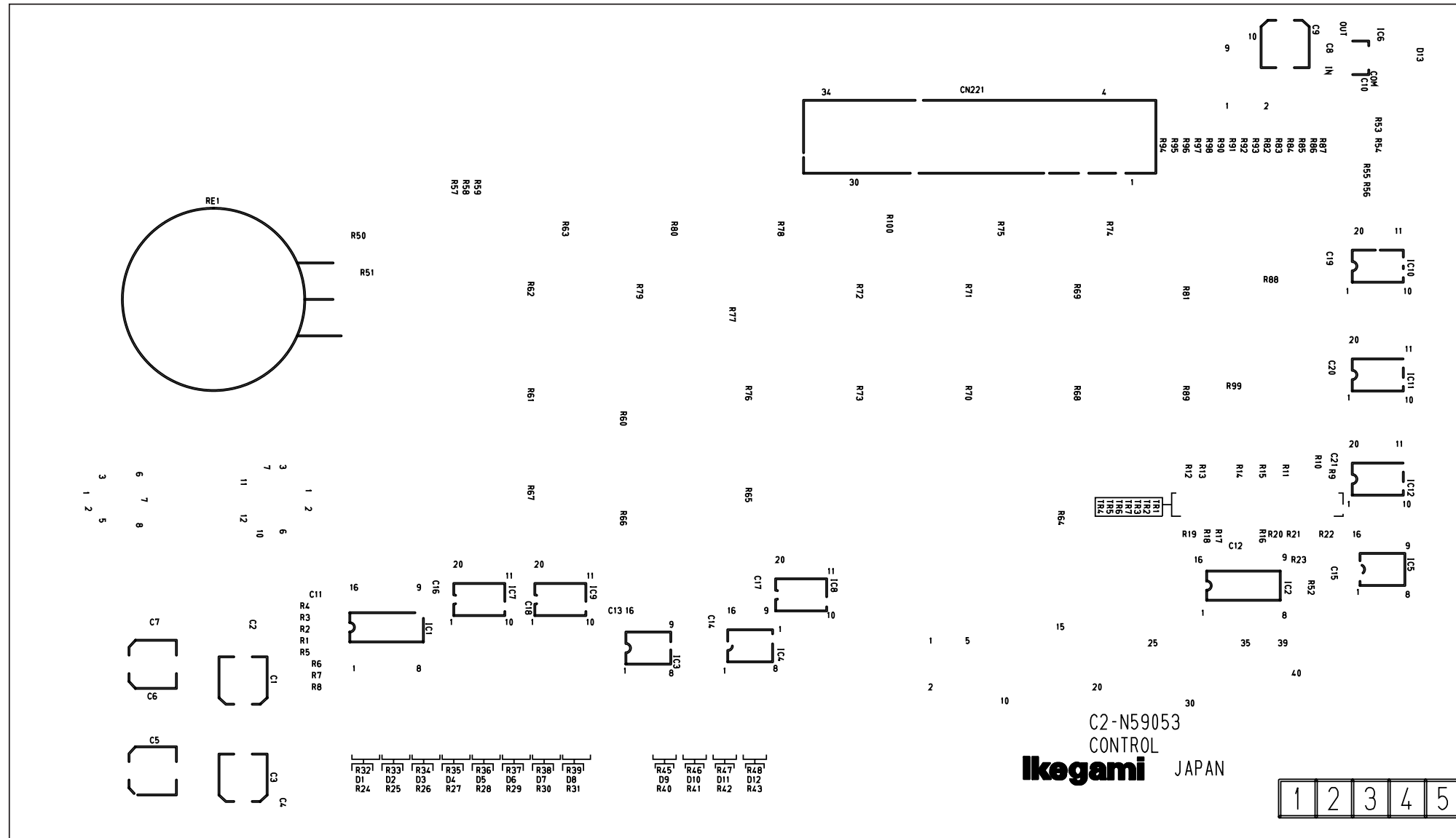


A SIDE



CONTROL BOARD
Parts Location
C3-N59053

B SIDE

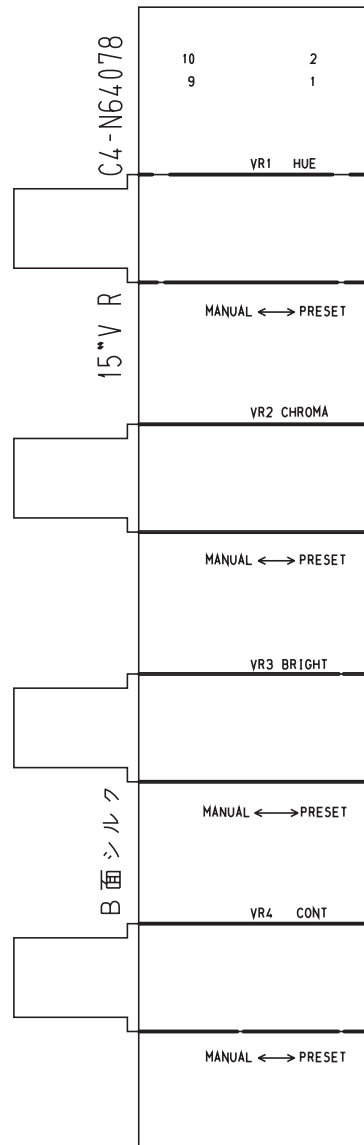


CONTROL BOARD
 Parts Location
 C3-N59053

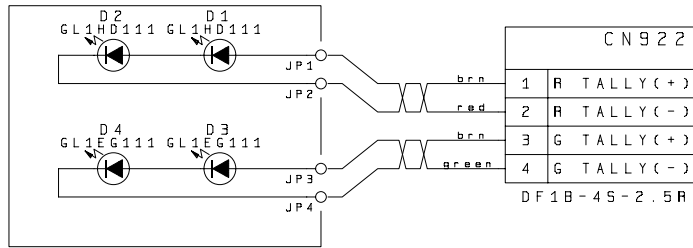
A SIDE



B SIDE



VR BOARD
Parts Location
C4-N64078



HTM-1517R/1917R/1990R
 MULTI FORMAT COLOR MOMITOR

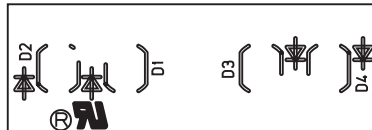
LED BOARD
 SCHEMATIC DIAGRAM

1 / 1 F

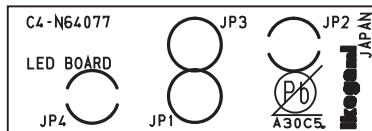
REV.

C4-905470 2

A SIDE



B SIDE



LED BOARD
Parts Location
C4-N64077

2. ELECTRIC PARTS LIST

- How to read the parts list 2-1
- Manufacturer's Code 2-1
- Parts List 2-3

How to read the parts list

Example

① MAIN BOARD		
③ SYMBOL	PARTS CODE	④ ⑤ MFD.
② < Variable Resistors >		
VR 3	CF06UT2 5KΩ	COS
VR 4	※	
VR 5	CF06UT2 5KΩ	COS
VR 6	CF06UT2 5KΩ	COS
VR 7	CF06UT2 5KΩ	COS
VR 8	CF06UT2 20KΩ	COS
VR 9	EVU-EZ0F20825	COS

CRT SOCKET BOARD

SYMBOL	PARTS CODE	MFD.
< Transistors >		
TR 1	2SC1514	HIT
TR 2	2SC1514	HIT
< Diodes >		
D 1	DFH10G	SYO

- ①... Name of module
- ②... Category of parts
- ③... Parts number shown on circuit diagram
- ④... Model number of parts
- ⑤... Manufacturer

• Notice.

1. Please pay attention to handle the following parts.
C-MOSIC, Transformer
2. Parts marked ※ are subject without notice for adjustment.
3. Parts marked ★ are critical components for **X-RADIATION**.
When replacing it, be sure to use the specified parts.
4. Parts marked ★ are critical components for **SAFETY STANDARD**.
When replacing it, be sure to use the specified parts.
5. All parts are subject to change without notice for modification due to progression of technology.

Manufacturer's Code

ALP	ALPS ELECTRIC CO.,LTD.	JAPAN
ALT	JAPAN ALTERA CORPORATION	JAPAN
AMP	TYCO ELECTRONICS AMP CO.,LTD.	JAPAN
AND	ANALOG DEVICES, INC.	U.S.A
ATB	KOMAMURA CORP.	JAPAN
CNHA	CHUANGHWA PICTURE TUBES. LTD.	CHINA
COS	TOKYO COSMOS ELECTRIC CO.,LTD.	JAPAN
CPL	COPAL ELECTRONICS CO.,LTD.	JAPAN
CSL	COSEL CO.,LTD.	JAPAN
CTZD	CITIZEN ELECTRONICS CO.,LTD	JAPAN
CYP	CYPRESS SEMICONDUCTOR CORPORATION	U.S.A
DON	DONGIL TECHNOLOGY LTD.	KOREA
ELC	KYOCERA ELCO CORPORATION	JAPAN
EMD	EMUDEN MUSEN KOGYO CO.,LTD.	JAPAN
EMK	ELMEC TECHNOLOGY OF AMERICA, INC.	U.S.A
FJE	FUJII ELECTRIC HOLDINGS CO.,LTD.	JAPAN
FJS	FUJISOKU CORPORATION	JAPAN
FRNT	FRONTEK CO.,LTD.	KOREA
GNM	GENUM CORPORATION	CANADA
HIT	HITACHI, LTD.	JAPAN
HOS	HOSHIDEN CORPORATION	JAPAN
HRS	HIROSE ELECTRIC CO.,LTD.	JAPAN
IDX	IDX COMPANY, LTD.	JAPAN
IRS	IRISO ELECTRONICS CO.,LTD.	JAPAN

IZM	IDEC CORPORATION	JAPAN
JAE	JAPAN AVIATION ELECTRONICS INDUSTRY, LTD.	JAPAN
JPC	JPC CO.,LTD.	JAPAN
KIN	KONKO CO.,LTD	JAPAN
KMY	KAMAYA ELECTRIC CO.,LTD.	JAPAN
KND	CANARE ELECTRIC CO.,LTD.	JAPAN
KNGB	KINGBRIGHT CORPORATION	U.S.A
KOA	KOA CORPORATION	JAPAN
LGPH	LG.PHILIPS LCD CO.,LTD.	KOREA
LTC	LATTICE SEMICONDUCTOR CORPORATION	U.S.A
LTN	LINEAR TECHNOLOGY CORPORATION	U.S.A
MAC	MAC-EIGHT CO.,LTD.	JAPAN
MAT	MATSUSHITA ELECTRIC INDUSTRIAL CO.,LTD.	JAPAN
MCT	MICROCHIP TECHNOLOGY INC.	U.S.A
MEC	MATSUSHITA ELECTRIC INDUSTRIAL CO.,LTD.	JAPAN
MIT	mitsubishi electric corporation	JAPAN
MITM	MITSUBISHI MATERIALS CORPORATION	JAPAN
MIZ	MIZUTANI ELECTRIC IND.CO.,LTD.	JAPAN
MTDK	MATSUSHITA BATTERY INDUSTRIAL CO.,LTD.	JAPAN
MTM	MITSUMI ELECTRIC CO.,LTD.	JAPAN
MUR	MURATA MANUFACTURING CO.,LTD.	JAPAN
NAT	J.S.T. MFG. CO.,LTD.	JAPAN
NCC	MATSUO ELECTRIC CO.,LTD.	JAPAN
NCH	NIPPON CHEMI-CON CO.,LTD.	JAPAN
NEC	NEC CORPORATION	JAPAN
NIC	NICOON CO.,LTD.	JAPAN
NKM	NIKKOHM CO.,LTD.	JAPAN
NSC	MATIONAL SEMICONDUCTOR CORPORATION	U.S.A
NSD	NISSEI ELECTRIC CO.,LTD.	JAPAN
NTR	NEUTRIK CO.,LTD	LIECHTENSTEIN
OMR	OMRON CORPORATION	JAPAN
PCM	PERICOM SEMICONDUCTORS	U.S.A
PHI	NXP SEMICONDUCTORS	HOLLAND
RNES	RENESAS TECHNOLOGY CORP.	JAPAN
ROM	ROHM CO.,LTD.	JAPAN
RVE	RIVER ELETEC CORPORATION	JAPAN
SAY	SANYO DENKI CO.,LTD.	JAPAN
SEKE	SEIKO EPSON CORPORATION	JAPAN
SIPX	SIPEX CORPORATION	U.S.A
SJRC	NEW JAPAN RADIO CO.,LTD.	JAPAN
SKK	SHIN-ETSU CHEMICAL CO.,LTD.	JAPAN
SKO	SANKOSYA CO.,LTD.	JAPAN
SKR	SAKURA SOHGYO CO.,LTD.	JAPAN
SLC	VISHAY INTERTECHNOLOGY INC.	U.S.A
SMS	STANDARD MICROSYSTEMS CORPORATION	U.S.A
SND	SHINDENGEN ELECTRIC MANUFACTURING CO.,LTD.	JAPAN
SNEC	SHINYEI KAISHA	JAPAN
SNGS	SHINAGAWA SHOKO CO.,LTD.	JAPAN
SON	SONY CORPORATION	JAPAN
SSM	SUSUMU CO.,LTD.	JAPAN
SST	SILICON STRAGE TECHNOLOGY, INC.	U.S.A
STL	STANLEY ELECTRIC CO.,LTD.	JAPAN
STRT	STARTECH, LTD.	JAPAN
SYO	SANYO SEMICONDUCTOR CO.,LTD.	JAPAN
TAM	TAMA ELECTRIC CO.,LTD.	JAPAN
TDK	TDK CORPORATION	JAPAN
TEX	TEXAS INSTRUMENT INCORPORATED	U.S.A
THIN	THINE ELECTRONICS, INC.	JAPAN
TKCK	TOKYO CONE PAPER MANUFACTURE CO.,LTD.	JAPAN
TOKW	TOKIWA & CO.,INC.	JAPAN
TSB	TOSHIBA CORPORATION	JAPAN
TTE	TOHTSU ELECTRONICS CO.,LTD.	JAPAN
TYU	TAIYO YUDEN CO.,LTD.	JAPAN
UTK	UTSUNOMIYA TSUSHIN INDUSTRY CO.,LTD.	JAPAN

MAIN CHASSIS (1517R)
PP-906517

CRT
1-N64048

MOTHER BOARD (1517R/1917R)
PP-906520

SYMBOL	PARTS CODE	MFD.	SYMBOL	PARTS CODE	MFD.	SYMBOL	PARTS CODE	MFD.
< FAN MOTORS >			< TUBES >			< CAPACITORS >		
B 901	F614T12MB1	CPL	V 901	M36AES83X01(L)	CNHA	C 1	EKMG500ELL100ME11	NCH
B 901	109139E	SAY				C 2	EKMG500ELL100ME11	NCH
< CABLE ASSEMBLIES >						C 3	EKMG250ELL101MF11	NCH
CA 901	90C4N64063	UTK				C 4	EKMG500ELL100ME11	NCH
CA 902	90C4N64079	UTK				C 5	EKMG500ELL100ME11	NCH
CA 903	90C4N64052	UTK				C 6	EKMG250ELL101MF11	NCH
CA 904	90C4N64135	SKR				C 7	EKMG500ELL100ME11	NCH
CA 905	90C4N64065	UTK				C 8	EKMG500ELL100ME11	NCH
CA 906	90C4N64134	SKR				C 9	EKMG250ELL101MF11	NCH
CA 907	90C4N64083	UTK				C 10	EKMG500ELL100ME11	NCH
CA 910	90C4N64080	UTK				C 11	EKMG500ELL100ME11	NCH
CA 911	90C4N64081	UTK				C 12	EKMG250ELL101MF11	NCH
CA 912	90C4N64082	UTK				< CONNECTORS >		
CA 913	90C4N64069	UTK				CN 1	PCN1350S2R54DSA71	HRS
CA 917	90C4N64084	UTK				CN 2	PCN1364S2R54DSA71	HRS
CA 921	90C4N64062	UTK				CN 3	PCN1350S2R54DSA71	HRS
CA 923	90C4N64070	UTK				CN 4	PCN1350S2R54DSA71	HRS
< CONNECTORS >						CN 5	PCN1364S2R54DSA71	HRS
CN 902	DF12S2R5R2405	HRS				CN 6	PCN1350S2R54DSA71	HRS
CN 902	DF12A1R33	HRS				CN 7	PCN1364S2R54DSA71	HRS
CN 927	03507801	AMP				CN 8	PCN1364S2R54DSA71	HRS
CN 927	3506901	AMP				CN 9	PCN1364S2R54DSA71	HRS
CN 929	3507791	AMP				CN 10	PCN1316S2R54DSA71	HRS
CN 929	3506891	AMP				CN 11	PCN1316S2R54DSA71	HRS
< COILS >						CN 209	HIF3FC40PA2R54DSA-A	HRS
L 902	90ST4N64086	TAM				CN 211	DF1BZ20DP2R5DSA	HRS
L 903	90ST4N64087	TAM				CN 212	DF1BZ16DP2R5DSA	HRS
< CRT >						CN 230	DF1BZ16DP2R5DSA	HRS
V 901	M36AES83X01L	CNHA				< DIODES >		
						D 1	D1N605060	SND
						D 2	D1N605060	SND
						D 3	D1N605060	SND
						D 4	D1N605060	SND
						D 5	D1N605060	SND
						D 6	D1N605060	SND
						D 7	D1N605060	SND
						D 8	D1N605060	SND
						< INTEGRATED CIRCUITS >		
						IC 1	LM1085ITADJNOPB	NSC
						IC 1	TC45CCPTO220	SKK
						IC 2	LM1085ITADJNOPB	NSC
						IC 2	TC45CCPTO220	SKK
						IC 3	LM337TNOPB	NSC
						IC 3	TC45CCPTO220	SKK
						IC 4	LM1085ITADJNOPB	NSC
						IC 4	TC45CCPTO220	SKK
						< RESISTORS >		
						R 1	LF1/8CT1200F	KOA
						R 2	LF1/8CT9100F	KOA
						R 3	LF1/8CT1200F	KOA
						R 4	LF1/8CT2700F	KOA
						R 5	LF1/8CT1200F	KOA
						R 6	LF1/8CT9100F	KOA
						R 7	LF1/8CT1200F	KOA
						R 8	LF1/8CT9100F	KOA
						< TEST POINTS >		
						TP 1	ST21	MAC
						TP 2	ST21	MAC
						TP 3	ST21	MAC
						TP 4	ST21	MAC
						TP 5	ST21	MAC

MPU BOARD (COMMON)

PP-906316

SYMBOL	PARTS CODE	MFD.	SYMBOL	PARTS CODE	MFD.	SYMBOL	PARTS CODE	MFD.
< TEST POINTS >			< BATTERY >			C 233	GRM188B11E104KA01	MUR
VR 1	GF063UT2B200	COS	BT 201	BR23301HF	MTDK	C 234	GRM188B11E104KA01	MUR
VR 2	GF063UT2B200	COS				C 235	GRM188B11E104KA01	MUR
VR 3	GF063UT2B200	COS	< CAPACITORS >			C 236	GRM188B11E104KA01	MUR
VR 4	GF063UT2B200	COS	C 101	GRM188B11H103KA01	MUR	C 237	GRM188B11E104KA01	MUR
			C 102	GRM188B11H103KA01	MUR	C 238	GRM188B11E104KA01	MUR
			C 103	GRM188B11H103KA01	MUR	C 239	GRM188B11E104KA01	MUR
			C 104	GRM188B11H103KA01	MUR	C 240	RTHE40TKSL100K	MITM
			C 105	GRM188B11H103KA01	MUR	C 241	GRM188B11E104KA01	MUR
			C 106	GRM188B11H103KA01	MUR	C 242	GRM188B11E104KA01	MUR
			C 107	GRM188B11H103KA01	MUR	C 243	GRM188B11E104KA01	MUR
			C 108	GRM188B11H103KA01	MUR	C 244	GRM188B11E104KA01	MUR
			C 109	GRM188B11H103KA01	MUR	C 245	GRM188B11E104KA01	MUR
			C 110	GRM188B11H103KA01	MUR	C 246	GRM188B11E104KA01	MUR
			C 111	GRM188B11H103KA01	MUR	C 247	RTHE40TKSL100K	MITM
			C 112	GRM188B11H103KA01	MUR	C 301	GRM1882C1H102JA01	MUR
			C 113	GRM188B11H103KA01	MUR	C 302	GRM1882C1H101JA01	MUR
			C 114	GRM188B11H103KA01	MUR	C 303	GRM188B11E104KA01	MUR
			C 115	EMVL160ADA100MD60	NCH	C 304	267M3502224MR	NCC
			C 116	EMVL160ADA470MF60	NCH	C 305	GRM188B11H103KA01	MUR
			C 117	GRM188B11E104KA01	MUR	C 306	GRM188B11E104KA01	MUR
			C 118	GRM188B11E104KA01	MUR	C 307	GRM188B11E104KA01	MUR
			C 119	EMVL160ADA100MD60	NCH	C 308	EMVL160ADA100MD60	NCH
			C 120	GRM40B105K16PT	MUR	C 309	GRM1882C1H220JA01	MUR
			C 121	GRM1882C1H151JA01	MUR	C 310	GRM1882C1H220JA01	MUR
			C 122	16SVP100M	SYO	C 311	※	
			C 123	GRM188B11E104KA01	MUR	C 312	※	
			C 124	16SVP100M	SYO	C 313	GRM1882C1H102JA01	MUR
			C 125	GRM188B11E104KA01	MUR	C 314	GRM188B11E104KA01	MUR
			C 126	16SVP100M	SYO	C 315	GRM188B11E104KA01	MUR
			C 127	GRM188B11E104KA01	MUR	C 316	6SVP22M	SYO
			C 128	GRM188B11E104KA01	MUR	C 317	GRM188B11E104KA01	MUR
			C 129	GRM188B11E104KA01	MUR	C 318	GRM188B11E104KA01	MUR
			C 130	GRM188B11E104KA01	MUR	C 319	GRM188B11E104KA01	MUR
			C 131	GRM188B11E104KA01	MUR	C 320	GRM188B11E104KA01	MUR
			C 132	GRM188B11E104KA01	MUR	C 321	GRM188B11E104KA01	MUR
			C 133	GRM188B11E104KA01	MUR	C 322	EMVL160ADA470MF60	NCH
			C 134	GRM188B11E104KA01	MUR	C 323	GRM188B11E104KA01	MUR
			C 135	GRM188B11E104KA01	MUR	C 324	EMVL160ADA470MF60	NCH
			C 136	GRM188B11E104KA01	MUR	C 325	GRM188B11E104KA01	MUR
			C 137	GRM1882C1H102JA01	MUR	C 326	GRM188B11E104KA01	MUR
			C 201	GRM188B11E104KA01	MUR	C 327	GRM188B11E104KA01	MUR
			C 202	GRM21BB10J106KE01	MUR	C 328	GRM188B11E104KA01	MUR
			C 203	GRM188B11E104KA01	MUR	C 329	※	
			C 204	GRM188B11E104KA01	MUR	C 330	GRM188B11H223KA01	MUR
			C 205	GRM188B11E104KA01	MUR	C 331	GRM188B11H223KA01	MUR
			C 206	GRM1882C1H150JA01	MUR	C 332	GRM188B11H223KA01	MUR
			C 207	GRM1882C1H150JA01	MUR	C 333	GRM188B11H223KA01	MUR
			C 208	GRM1882C1H101JA01	MUR	C 334	GRM188B11H223KA01	MUR
			C 209	GRM21BB11E474KC01	MUR	C 335	GRM188B11H223KA01	MUR
			C 210	GRM188B11E104KA01	MUR	C 336	GRM188B11H223KA01	MUR
			C 211	EMVL160ADA100MD60	NCH	C 337	GRM188B11H223KA01	MUR
			C 212	EKM250ETC471MJC5	NCH	C 338	GRM188B11H223KA01	MUR
			C 213	GRM188B11E104KA01	MUR	C 339	GRM188B11H223KA01	MUR
			C 214	GRM188B11E104KA01	MUR	C 340	GRM188B11H223KA01	MUR
			C 215	GRM1882C1H471JA01	MUR	C 341	GRM188B11H223KA01	MUR
			C 216	GRM40B105K16PT	MUR	C 342	GRM188B11E104KA01	MUR
			C 217	※		C 343	GRM188B11E104KA01	MUR
			C 218	※		C 344	GRM188B11E104KA01	MUR
			C 219	※		C 345	GRM188B11E104KA01	MUR
			C 220	GRM188B11E104KA01	MUR	C 346	GRM188B11H103KA01	MUR
			C 221	GRM188B11E104KA01	MUR	C 347	GRM188B11E104KA01	MUR
			C 222	EMVL160ADA100MD60	NCH	C 348	GRM188B11E104KA01	MUR
			C 223	EMVL160ADA100MD60	NCH	C 349	GRM188B11E104KA01	MUR
			C 224	EMVL160ADA100MD60	NCH	C 350	EMVL160ADA470MF60	NCH
			C 225	EMVL160ADA100MD60	NCH	C 351	GRM188B11E104KA01	MUR
			C 226	GRM188B11E104KA01	MUR	C 352	GRM188B11E104KA01	MUR
			C 227	EMVL160ADA100MD60	NCH	C 353	GRM188B11E104KA01	MUR
			C 228	GRM188B11E104KA01	MUR	C 354	GRM188B11E104KA01	MUR
			C 229	GRM188B11E104KA01	MUR	C 355	GRM188B11E104KA01	MUR
			C 230	GRM188B11E104KA01	MUR	C 356	GRM188B11E104KA01	MUR
			C 231	GRM188B11E104KA01	MUR	C 357	GRM188B11E104KA01	MUR
			C 232	GRM188B11E104KA01	MUR	C 358	GRM188B11E104KA01	MUR
						C 359	GRM188B11E104KA01	MUR
						C 360	GRM188B11E104KA01	MUR

SYMBOL	PARTS CODE	MFD.	SYMBOL	PARTS CODE	MFD.	SYMBOL	PARTS CODE	MFD.
C 361	GRM188B11E104KA01	MUR	D 116	1SS302TE85RF	TSB	IC 223	SN74AHC32PWR	TEX
C 362	GRM188B11E104KA01	MUR	D 117	1SS302TE85RF	TSB	IC 224	SN74LV541APWR	TEX
C 401	GRM188B11E104KA01	MUR	D 118	1SS302TE85RF	TSB	IC 225	SN74LV541APWR	TEX
C 402	GRM188B11E104KA01	MUR	D 119	1SS302TE85RF	TSB	IC 226	SN74LV138APWR	TEX
C 403	GRM188B11E104KA01	MUR	D 120	1SS302TE85RF	TSB	IC 227	SN74LV138APWR	TEX
C 404	GRM188B11E104KA01	MUR	D 121	1SS302TE85RF	TSB	IC 228	SN74LV138APWR	TEX
C 405	6SVP22M	SYO	D 122	1SS302TE85RF	TSB	IC 301	TC74VHC123AFTEL	TSB
C 406	GRM188B11E104KA01	MUR	D 123	1SS302TE85RF	TSB	IC 302	SN74LV00APWR	TEX
C 407	GRM188B11E104KA01	MUR	D 124	1SS302TE85RF	TSB	IC 303	TLC2932IPWGR4	TEX
C 408	GRM188B11E104KA01	MUR	D 125	1SS302TE85RF	TSB	IC 304	SN74LV574APWR	TEX
C 409	GRM188B11E104KA01	MUR	D 126	1SS302TE85RF	TSB	IC 305	SN74LV00APWR	TEX
C 410	GRM188B11E104KA01	MUR	D 127	1SS302TE85RF	TSB	IC 306	SN74LV74APWR	TEX
C 411	GRM188B11E104KA01	MUR	D 128	1SS302TE85RF	TSB	IC 307	TC7SU04FUTE85LF	TSB
C 412	*		D 129	1SS302TE85RF	TSB	IC 308	TC7SU04FUTE85LF	TSB
C 413	*		D 130	1SS302TE85RF	TSB	IC 309	SN74LV00APWR	TEX
C 414	267E1602336MR720	NCC	D 131	1SS302TE85RF	TSB	IC 310	SN74LV00APWR	TEX
C 415	GRM40B105K16PT	MUR	D 132	1SS302TE85RF	TSB	IC 311	90ST903276	ALT
C 416	GRM188B11E104KA01	MUR	D 133	1SS302TE85RF	TSB	IC 312	SN74LV574APWR	TEX
C 417	GRM188B11E104KA01	MUR	D 134	1SS302TE85RF	TSB	IC 313	SN74LV574APWR	TEX
C 418	GRM188B11E104KA01	MUR	D 135	1SS302TE85RF	TSB	IC 314	SN74LV574APWR	TEX
C 419	EMVY160ADA101MF55	NCH	D 136	1SS302TE85RF	TSB	IC 315	AD7533KRZ	AND
C 420	EMVY160ADA101MF55	NCH	D 137	1SS301TE85RF	TSB	IC 316	TL062CPWETAPL	TEX
C 421	GRM188B11E104KA01	MUR	D 138	RD2R0MBT1BA	NEC	IC 317	LM4040CIM3X2R5NOP	NSC
C 422	GRM188B11E104KA01	MUR	D 139	1SS302TE85RF	TSB	IC 318	TC4051BFTELN	TSB
C 423	GRM188B11E104KA01	MUR	D 140	1SS302TE85RF	TSB	IC 319	TC4051BFTELN	TSB
C 424	GRM188B11E104KA01	MUR	D 141	1SS302TE85RF	TSB	IC 320	TL062CPWETAPL	TEX
C 425	EMVL160ADA470MF60	NCH	D 142	1SS302TE85RF	TSB	IC 321	TL062CPWETAPL	TEX
C 426	*		D 143	1SS302TE85RF	TSB	IC 322	TL062CPWETAPL	TEX
C 427	*		D 144	1SS302TE85RF	TSB	IC 323	TL062CPWETAPL	TEX
C 428	267E1602336MR720	NCC	D 145	1SS302TE85RF	TSB	IC 324	TL062CPWETAPL	TEX
C 429	EMVL160ADA470MF60	NCH	D 201	1SS154TE85LF	TSB	IC 325	TL062CPWETAPL	TEX
C 430	GRM188B11E104KA01	MUR	D 202	1SS154TE85LF	TSB	IC 326	TC4053BFTELN	TSB
C 431	267E1602336MR720	NCC	D 203	1SS154TE85LF	TSB	IC 327	TC4W53FUTE12LF	TSB
C 432	GRM1882C1H680JA01	MUR	D 204	1SS301TE85RF	TSB	IC 328	TC4051BFTELN	TSB
C 433	*		D 205	1SS302TE85RF	TSB	IC 329	TL062CPWETAPL	TEX
C 434	GRM188B11E104KA01	MUR	D 206	1SS302TE85RF	TSB	IC 330	TC74HC4053AFTEL	TSB
C 435	GRM188B11E104KA01	MUR	D 207	1SS302TE85RF	TSB	IC 401	SN74LV574APWR	TEX
C 436	GRM188B11E104KA01	MUR	D 301	1SS302TE85RF	TSB	IC 402	SN74LV574APWR	TEX
C 437	GRM188B11E104KA01	MUR	D 401	1SS300TE85RF	TSB	IC 403	SN74LV574APWR	TEX
C 438	GRM188B11E104KA01	MUR				IC 404	TC74HC688AFF	TSB
C 439	GRM188B11E104KA01	MUR	< INTEGRATED CIRCUITS >			IC 405	TC74HC688AFF	TSB
C 440	GRM188B11E104KA01	MUR				IC 406	SN74LV74APWR	TEX
C 441	GRM188B11E104KA01	MUR	IC 101	SN74LV541APWR	TEX	IC 407	SN74LV00APWR	TEX
C 442	GRM188B11E104KA01	MUR	IC 102	SN74LV541APWR	TEX	IC 408	SN74LV574APWR	TEX
C 443	GRM188B11E104KA01	MUR	IC 103	SN74LV541APWR	TEX	IC 409	90ST903195	SST
			IC 104	SN74LV541APWR	TEX	IC 409	544LF03231SMO	TOKW
			IC 105	SN74LV541APWR	TEX	IC 410	90ST903196	SST
			IC 106	SN74LV245APWR	TEX	IC 410	544LF03231SMO	TOKW
			IC 107	LM311PSETAPL	TEX	IC 411	SN74HC166NSETAPL	TEX
			IC 108	TC74VHC123AFTEL	TSB	IC 412	SN74LV00APWR	TEX
			IC 109	SN74LV00APWR	TEX	IC 413	90ST903277	ALT
			IC 110	SN74LV00APWR	TEX	IC 414	TC4053BFTELN	TSB
			IC 201	90ST9032733	SST	IC 415	CXD1171M	SON
			IC 201	544LF03231SMO	TOKW	IC 416	LM4040CIM3X2R5NOP	NSC
			IC 202	UPD43256BGU70LLA	NEC			
			IC 203	LM311PSETAPL	TEX	< COILS >		
			IC 204	HD64F2238BFA13V	RNES	L 101	BLM21A601SPT	MUR
			IC 205	SN74LV541APWR	TEX	L 102	BLM21A601SPT	MUR
			IC 206	MAX232DWR	TEX	L 103	BLM21A601SPT	MUR
			IC 207	TC7SU04FUTE85LF	TSB	L 104	BLM21A601SPT	MUR
			IC 208	M51957BFPCF1J	MIT	L 105	BLM21A601SPT	MUR
			IC 209	M35075001FFU0	MIT	L 106	BLM21A601SPT	MUR
			IC 210	TC74HC4053AFTEL	TSB	L 107	BLM21A601SPT	MUR
			IC 211	TC74HC4053AFTEL	TSB	L 108	BLM21A601SPT	MUR
			IC 212	SN74AHC08PWR	TEX	L 109	BLM21A601SPT	MUR
			IC 213	SN74AHC04PWR	TEX	L 110	BLM21A601SPT	MUR
			IC 214	SN74LV4040APWR	TEX	L 111	BLM21A601SPT	MUR
			IC 215	SN74LV74APWR	TEX	L 112	BLM21A601SPT	MUR
			IC 216	SN74LV4040APWR	TEX	L 113	BLM21A601SPT	MUR
			IC 217	SN74LV574APWR	TEX	L 114	BLM21A601SPT	MUR
			IC 218	SN74LV541APWR	TEX	L 115	BLM21A601SPT	MUR
			IC 219	SN74LV4040APWR	TEX	L 116	SLF7045T470MR75PF	TDK
			IC 220	SN74LV574APWR	TEX	L 117	SLF7045T470MR75PF	TDK
			IC 221	SN74LV541APWR	TEX	L 118	SLF7045T470MR75PF	TDK
			IC 222	SN74LV00APWR	TEX			

SYMBOL	PARTS CODE	MFD.	SYMBOL	PARTS CODE	MFD.	SYMBOL	PARTS CODE	MFD.
L 201	BLM21A601SPT	MUR	R 64	RGC1/16C101DTP	KMY	R 219	RGC1/16C333DTP	KMY
L 202	BLM21A601SPT	MUR	R 65	RGC1/16C101DTP	KMY	R 220	RGC1/16C333DTP	KMY
L 203	BLM21A601SPT	MUR	R 66	RGC1/16C101DTP	KMY	R 221	RGC1/16C333DTP	KMY
L 301	BLM21A601SPT	MUR	R 67	※		R 222	RGC1/16C333DTP	KMY
L 302	BLM21A601SPT	MUR	R 68	RMC1/16104FTP	KMY	R 223	RGC1/16C333DTP	KMY
L 401	BLM21A601SPT	MUR	R 69	RMC1/16104FTP	KMY	R 224	RGC1/16C222DTP	KMY
L 402	BLM21A601SPT	MUR	R 70	RMC1/16104FTP	KMY	R 225	RGC1/16C222DTP	KMY
L 403	BLM21A601SPT	MUR	R 71	RMC1/16104FTP	KMY	R 226	RGC1/16C101DTP	KMY
L 404	BLM21A601SPT	MUR	R 72	RMC1/16104FTP	KMY	R 227	RGC1/16C101DTP	KMY
			R 73	RMC1/16104FTP	KMY	R 228	※	
< RESISTORS >			R 74	RMC1/16104FTP	KMY	R 229	RGC1/16C333DTP	KMY
			R 75	RMC1/16104FTP	KMY	R 230	RMC1/16JPTP	KMY
R 1	RGC1/16C332DTP	KMY	R 76	RGC1/16C101DTP	KMY	R 231	RGC1/16C103DTP	KMY
R 2	RGC1/16C332DTP	KMY	R 77	RGC1/16C101DTP	KMY	R 232	RGC1/16C103DTP	KMY
R 3	RGC1/16C332DTP	KMY	R 78	RGC1/16C101DTP	KMY	R 233	RGC1/16C333DTP	KMY
R 4	RGC1/16C332DTP	KMY	R 79	RGC1/16C101DTP	KMY	R 234	RGC1/16C333DTP	KMY
R 5	RGC1/16C332DTP	KMY	R 80	RGC1/16C101DTP	KMY	R 235	RMC1/16JPTP	KMY
R 6	RGC1/16C332DTP	KMY	R 81	RGC1/16C101DTP	KMY	R 236	RMC1/16JPTP	KMY
R 7	RGC1/16C332DTP	KMY	R 82	RGC1/16C101DTP	KMY	R 237	RGC1/16C222DTP	KMY
R 8	RGC1/16C332DTP	KMY	R 83	RGC1/16C101DTP	KMY	R 238	RMC1/16104FTP	KMY
R 9	RGC1/16C332DTP	KMY	R 84	RMC1/16104FTP	KMY	R 239	RGC1/16C393DTP	KMY
R 10	RGC1/16C332DTP	KMY	R 85	RMC1/16104FTP	KMY	R 240	RMC1/16JPTP	KMY
R 11	RGC1/16C332DTP	KMY	R 86	RMC1/16104FTP	KMY	R 241	RMC1/16104FTP	KMY
R 12	RGC1/16C332DTP	KMY	R 87	RMC1/16104FTP	KMY	R 242	RMC1/16104FTP	KMY
R 13	RGC1/16C332DTP	KMY	R 88	RMC1/16104FTP	KMY	R 243	RMC1/16104FTP	KMY
R 14	RGC1/16C332DTP	KMY	R 89	RMC1/16104FTP	KMY	R 244	RMC1/16104FTP	KMY
R 15	RMC1/16104FTP	KMY	R 90	RMC1/16104FTP	KMY	R 245	RMC1/16104FTP	KMY
R 16	RMC1/16104FTP	KMY	R 91	RMC1/16104FTP	KMY	R 246	RMC1/16104FTP	KMY
R 17	RMC1/16104FTP	KMY	R 92	RMC1/16JPTP	KMY	R 247	RMC1/16104FTP	KMY
R 18	RMC1/16104FTP	KMY	R 93	RMC1/16JPTP	KMY	R 248	RMC1/16104FTP	KMY
R 19	RMC1/16104FTP	KMY	R 94	RGC1/16C473DTP	KMY	R 249	RMC1/16104FTP	KMY
R 20	RMC1/16104FTP	KMY	R 95	RMC1/16224FTP	KMY	R 250	RMC1/16104FTP	KMY
R 21	RMC1/16104FTP	KMY	R 96	RGC1/16C472DTP	KMY	R 251	RGC1/16C101DTP	KMY
R 22	RMC1/16104FTP	KMY	R 97	RMC1/16224FTP	KMY	R 252	RGC1/16C101DTP	KMY
R 23	RMC1/16104FTP	KMY	R 98	RGC1/16C103DTP	KMY	R 253	RGC1/16C101DTP	KMY
R 24	RMC1/16104FTP	KMY	R 99	RGC1/16C103DTP	KMY	R 254	RGC1/16C102DTP	KMY
R 25	RMC1/16104FTP	KMY	R 100	RMC1/16474FTP	KMY	R 255	RMC1/16JPTP	KMY
R 26	RMC1/16104FTP	KMY	R 101	RGC1/16C101DTP	KMY	R 256	RGC1/16C822DTP	KMY
R 27	RMC1/16104FTP	KMY	R 102	RGC1/16C103DTP	KMY	R 258	RGC1/16C101DTP	KMY
R 28	RMC1/16104FTP	KMY	R 103	RGC1/16C101DTP	KMY	R 259	RGC1/16C101DTP	KMY
R 29	RGC1/16C101DTP	KMY	R 104	RGC1/16C101DTP	KMY	R 260	RGC1/16C101DTP	KMY
R 30	RGC1/16C101DTP	KMY	R 105	RMC1/16104FTP	KMY	R 261	RGC1/16C392DTP	KMY
R 31	RGC1/16C101DTP	KMY	R 106	RGC1/16C101DTP	KMY	R 262	RGC1/16C392DTP	KMY
R 32	RGC1/16C101DTP	KMY	R 107	RMC1/16104FTP	KMY	R 263	RGC1/16C392DTP	KMY
R 33	RGC1/16C101DTP	KMY	R 108	RGC1/16C102DTP	KMY	R 264	RGC1/16C103DTP	KMY
R 34	RGC1/16C101DTP	KMY	R 109	RMC1/16104FTP	KMY	R 265	RGC1/16C103DTP	KMY
R 35	RGC1/16C101DTP	KMY	R 110	RGC1/16C102DTP	KMY	R 266	RGC1/16C103DTP	KMY
R 36	RGC1/16C101DTP	KMY	R 111	RGC1/16C103DTP	KMY	R 267	RGC1/16C471DTP	KMY
R 37	RGC1/16C101DTP	KMY	R 112	RGC1/16C102DTP	KMY	R 268	RGC1/16C471DTP	KMY
R 38	RGC1/16C101DTP	KMY	R 113	RGC1/16C103DTP	KMY	R 269	RGC1/16C471DTP	KMY
R 39	RGC1/16C101DTP	KMY	R 114	※		R 270	RGC1/16C103DTP	KMY
R 40	RGC1/16C101DTP	KMY	R 115	RGC1/16C103DTP	KMY	R 271	RGC1/16C101DTP	KMY
R 41	RGC1/16C101DTP	KMY	R 116	RGC1/16C103DTP	KMY	R 272	RGC1/16C101DTP	KMY
R 42	RGC1/16C101DTP	KMY	R 117	RMC1/16JPTP	KMY	R 273	RGC1/16K220DTP	KMY
R 43	RGC1/16C101DTP	KMY	R 118	RMC1/16JPTP	KMY	R 274	※	
R 44	RMC1/16104FTP	KMY	R 119	RMC1/16JPTP	KMY	R 275	RMC1/16JPTP	KMY
R 45	RMC1/16104FTP	KMY	R 120	RMC1/16JPTP	KMY	R 276	※	
R 46	RMC1/16104FTP	KMY	R 201	RMC1/16JPTP	KMY	R 277	RMC1/16JPTP	KMY
R 47	RMC1/16104FTP	KMY	R 202	RGC1/16C152DTP	KMY	R 278	RMC1/16JPTP	KMY
R 48	RMC1/16104FTP	KMY	R 203	RGC1/16C103DTP	KMY	R 279	RGC1/16C101DTP	KMY
R 49	RMC1/16104FTP	KMY	R 204	RGC1/16C123DTP	KMY	R 280	RGC1/16C101DTP	KMY
R 50	RMC1/16104FTP	KMY	R 205	RGC1/16C123DTP	KMY	R 281	RGC1/16C101DTP	KMY
R 51	RMC1/16104FTP	KMY	R 206	RGC1/16C223DTP	KMY	R 282	RGC1/16C101DTP	KMY
R 52	RMC1/16104FTP	KMY	R 207	RGC1/16C103DTP	KMY	R 283	RGC1/16C101DTP	KMY
R 53	RMC1/16104FTP	KMY	R 208	RGC1/16C333DTP	KMY	R 284	RGC1/16C101DTP	KMY
R 54	RMC1/16104FTP	KMY	R 209	RGC1/16C223DTP	KMY	R 285	RGC1/16C101DTP	KMY
R 55	RMC1/16104FTP	KMY	R 210	RGC1/16C472DTP	KMY	R 286	RGC1/16C101DTP	KMY
R 56	RMC1/16104FTP	KMY	R 211	RGC1/16C333DTP	KMY	R 287	※	
R 57	RMC1/16104FTP	KMY	R 212	RGC1/16C333DTP	KMY	R 288	※	
R 58	RMC1/16104FTP	KMY	R 213	RGC1/16C333DTP	KMY	R 289	※	
R 59	RMC1/16104FTP	KMY	R 214	RGC1/16C333DTP	KMY	R 290	※	
R 60	RGC1/16C101DTP	KMY	R 215	RGC1/16C333DTP	KMY	R 291	RGC1/16C101DTP	KMY
R 61	RGC1/16C101DTP	KMY	R 216	RGC1/16C333DTP	KMY	R 292	RGC1/16C101DTP	KMY
R 62	RGC1/16C101DTP	KMY	R 217	RGC1/16C333DTP	KMY	R 293	RGC1/16C101DTP	KMY
R 63	RGC1/16C101DTP	KMY	R 218	RGC1/16C333DTP	KMY	R 294	RGC1/16C101DTP	KMY

SYMBOL	PARTS CODE	MFD.	SYMBOL	PARTS CODE	MFD.	SYMBOL	PARTS CODE	MFD.
R 295	※		R 404	RMC1/16JPTP	KMY	R 479	RMC1/16JPTP	KMY
R 296	※		R 405	※				
R 301	RMC1/16154FTP	KMY	R 406	RMC1/16JPTP	KMY	< SWITCHES >		
R 302	RGC1/16C183DTP	KMY	R 407	※		S 201	CHS08TB2	CPL
R 303	RGC1/16C101DTP	KMY	R 408	RMC1/16JPTP	KMY	S 202	CS422YTB	CPL
R 304	RMC1/16JPTP	KMY	R 409	※		SYMBOL PARTS		
R 305	RGC1/16C272DTP	KMY	R 410	RMC1/16JPTP	KMY	CODE MFD.		
R 306	RGC1/16C152DTP	KMY	R 411	※		< TEST POINTS >		
R 307	※		R 412	RGC1/16C101DTP	KMY	TP 101	EYF6CU	MAT
R 308	RGC1/16C152DTP	KMY	R 413	RGC1/16C101DTP	KMY	TP 201	EYF6CU	MAT
R 309	※		R 414	RGC1/16C101DTP	KMY	TP 202	EYF6CU	MAT
R 310	RMC1/16105FTP	KMY	R 415	※		TP 203	EYF6CU	MAT
R 311	※		R 416	RGC1/16C182DTP	KMY	TP 204	EYF6CU	MAT
R 312	RMC1/16JPTP	KMY	R 417	RGC1/16C182DTP	KMY	TP 205	EYF6CU	MAT
R 313	RMC1/16104FTP	KMY	R 418	RGC1/16C472DTP	KMY	TP 301	EYF6CU	MAT
R 314	RGC1/16C101DTP	KMY	R 419	RGC1/16C472DTP	KMY	TP 302	EYF6CU	MAT
R 315	RGC1/16C100DTP	KMY	R 420	RGC1/16C102DTP	KMY	TP 303	EYF6CU	MAT
R 316	RGC1/16C332DTP	KMY	R 421	RGC1/16C102DTP	KMY	TP 304	EYF6CU	MAT
R 317	RGC1/16C332DTP	KMY	R 422	RGC1/16C101DTP	KMY	TP 401	EYF6CU	MAT
R 318	RGC1/16C333DTP	KMY	R 423	RGC1/16C473DTP	KMY	TP 402	EYF6CU	MAT
R 319	RGC1/16C333DTP	KMY	R 424	RGC1/16C123DTP	KMY	TP 403	EYF6CU	MAT
R 320	RGC1/16C333DTP	KMY	R 425	RGC1/16C393DTP	KMY	< TRANSISTORS >		
R 321	RGC1/16C333DTP	KMY	R 426	RGC1/16C472DTP	KMY	TR 101	2SC3735T1BAB35	NEC
R 322	RGC1/16C333DTP	KMY	R 427	RGC1/16C103DTP	KMY	TR 201	2SC3735T1BAB35	NEC
R 323	RGC1/16C333DTP	KMY	R 428	RMC1/16JPTP	KMY	TR 202	2SA1461Y24T1BA	NEC
R 324	RGC1/16C103DTP	KMY	R 429	RGC1/16C101DTP	KMY	TR 203	2SA1461Y24T1BA	NEC
R 325	RGC1/16C333DTP	KMY	R 430	RGC1/16C683DTP	KMY	TR 204	2SA1461Y24T1BA	NEC
R 326	RGC1/16C103DTP	KMY	R 431	RGC1/16C103DTP	KMY	TR 301	XN1212TX	MEC
R 327	RGC1/16C122DTP	KMY	R 432	RGC1/16C101DTP	KMY	TR 302	XN1212TX	MEC
R 328	RGC1/16C101DTP	KMY	R 433	RGC1/16C472DTP	KMY	TR 303	XN1212TX	MEC
R 329	RGC1/16C332DTP	KMY	R 434	RMC1/16154FTP	KMY	TR 304	XN1212TX	MEC
R 330	RGC1/16C102DTP	KMY	R 435	RGC1/16C103DTP	KMY	TR 305	XN1212TX	MEC
R 331	RGC1/16C472DTP	KMY	R 436	RMC1/16104FTP	KMY	TR 306	XN1212TX	MEC
R 332	RGC1/16C103DTP	KMY	R 437	RGC1/16C101DTP	KMY	TR 307	XN1212TX	MEC
R 333	RGC1/16C103DTP	KMY	R 438	RGC1/16C101DTP	KMY	TR 310	2SA1461Y24T1BA	NEC
R 334	RGC1/16C103DTP	KMY	R 439	RGC1/16C101DTP	KMY	TR 311	2SC3735T1BAB35	NEC
R 335	RGC1/16C103DTP	KMY	R 440	RGC1/16C101DTP	KMY	TR 401	2SC3735T1BAB35	NEC
R 336	RGC1/16C103DTP	KMY	R 441	RGC1/16C101DTP	KMY	TR 402	XN6501TX	MEC
R 342	RGC1/16C101DTP	KMY	R 442	RGC1/16C101DTP	KMY	TR 403	2SC3734T1BAB24	NEC
R 343	RGC1/16C101DTP	KMY	R 443	RGC1/16C101DTP	KMY	TR 404	UNR221100L	MEC
R 344	RGC1/16C101DTP	KMY	R 444	RGC1/16C101DTP	KMY	TR 405	2SC3735T1BAB35	NEC
R 345	RGC1/16C101DTP	KMY	R 445	RGC1/16C101DTP	KMY	TR 406	2SA1461Y24T1BA	NEC
R 346	RGC1/16C101DTP	KMY	R 446	RGC1/16C101DTP	KMY	TR 407	2SC3734T1BAB24	NEC
R 347	RGC1/16C101DTP	KMY	R 447	RGC1/16C101DTP	KMY	TR 408	UNR211100L	MEC
R 348	RGC1/16C101DTP	KMY	R 448	RGC1/16C103DTP	KMY	TR 409	2SC3734T1BAB24	NEC
R 349	RGC1/16C101DTP	KMY	R 449	RGC1/16C332DTP	KMY	TR 410	UNR221100L	MEC
R 350	RGC1/16C101DTP	KMY	R 450	RGC1/16C102DTP	KMY	TR 411	XN6501TX	MEC
R 351	RGC1/16C101DTP	KMY	R 451	RGC1/16C393DTP	KMY	TR 412	2SC3734T1BAB24	NEC
R 352	RGC1/16C101DTP	KMY	R 452	RGC1/16C472DTP	KMY	TR 413	UNR221100L	MEC
R 353	RGC1/16C101DTP	KMY	R 453	RGC1/16C101DTP	KMY	TR 414	2SC3734T1BAB24	NEC
R 354	RGC1/16C101DTP	KMY	R 454	※		TR 415	XN6501TX	MEC
R 355	RGC1/16C101DTP	KMY	R 455	RGC1/16C471DTP	KMY	< VARIABLE CAPACITORS >		
R 356	RGC1/16C101DTP	KMY	R 456	RGC1/16C472DTP	KMY	VC 301	※	
R 357	RGC1/16C151DTP	KMY	R 457	RGC1/16C472DTP	KMY	VC 302	※	
R 358	RGC1/16C102DTP	KMY	R 458	RGC1/16C102DTP	KMY	< VARIABLE RESISTORS >		
R 359	RGC1/16C102DTP	KMY	R 459	RGC1/16C102DTP	KMY	VR 201	ST4ETB202	CPL
R 360	RGC1/16C103DTP	KMY	R 460	RGC1/16C101DTP	KMY	VR 301	ST4ETB102	CPL
R 361	RGC1/16C101DTP	KMY	R 461	RGC1/16C473DTP	KMY	VR 302	ST4ETB102	CPL
R 362	RGC1/16C332DTP	KMY	R 462	RGC1/16C563DTP	KMY	VR 303	ST4ETB102	CPL
R 363	RMC1/16JPTP	KMY	R 463	RGC1/16C472DTP	KMY	VR 304	※	
R 364	RGC1/16C222DTP	KMY	R 464	RGC1/16C332DTP	KMY	VR 401	ST4ETB202	CPL
R 365	RMC1/16104FTP	KMY	R 465	RGC1/16C332DTP	KMY	VR 402	ST4ETB102	CPL
R 366	RGC1/16C472DTP	KMY	R 466	RGC1/16C103DTP	KMY	VR 403	ST4ETB102	CPL
R 367	RGC1/16C472DTP	KMY	R 467	RGC1/16C472DTP	KMY	< CRYSTALS >		
R 368	RGC1/16C101DTP	KMY	R 468	RGC1/16C473DTP	KMY			
R 369	RGC1/16C472DTP	KMY	R 469	RGC1/16C473DTP	KMY			
R 370	RGC1/16C153DTP	KMY	R 470	RGC1/16C101DTP	KMY			
R 371	RGC1/16C153DTP	KMY	R 471	RGC1/16C332DTP	KMY			
R 372	RGC1/16C153DTP	KMY	R 472	RGC1/16C472DTP	KMY			
R 373	RGC1/16C101DTP	KMY	R 473	RGC1/16C332DTP	KMY			
R 374	RGC1/16C103DTP	KMY	R 474	※				
R 375	RMC1/16JPTP	KMY	R 475	RGC1/16C471DTP	KMY			
R 401	RGC1/16C103DTP	KMY	R 476	RGC1/16C472DTP	KMY			
R 402	RGC1/16C103DTP	KMY	R 477	RGC1/16C101DTP	KMY			
R 403	RGC1/16C471DTP	KMY	R 478	RMC1/16104FTP	KMY			

VIDEO PROCESS BOARD (1517R/1917R)

PP-906522

SYMBOL	PARTS CODE	MFD.	SYMBOL	PARTS CODE	MFD.	SYMBOL	PARTS CODE	MFD.
X 201	FCX0210M	RVE	< SHIELD HARNESS >			C 153	GRM1884C1H2R0CZ01	MUR
X 301	FCX0327R000M	RVE				C 201	BKME500ELL1R0ME11	NCH
X 302	※		- 1	90C4N64138	UTK	C 202	GRM188B11E104KA01	MUR
			< CAPASITORS >			C 203	※	
			C 1	EKMG100ELL102MJC5	NCH	C 301	GRM188B11E104KA01	MUR
			C 2	GRM188B11E104KA01	MUR	C 304	GRM188B11E104KA01	MUR
			C 3	EMVK250ADA101MHA0	NCH	C 305	EMVK250ADA101MHA0	NCH
			C 4	GRM188B11E104KA01	MUR	C 306	GRM188B11E104KA01	MUR
			C 5	EMVK250ADA101MHA0	NCH	C 307	EMVK250ADA101MHA0	NCH
			C 6	GRM188B11E104KA01	MUR	C 308	GRM188B11E104KA01	MUR
			C 11	GRM1882C1H150JA01	MUR	C 309	GRM188B11E104KA01	MUR
			C 12	BKME160ELL100ME11	NCH	C 310	GRM1882C1H7R0DZ01	MUR
			C 13	GRM1882C1H7R0DZ01	MUR	C 311	※	
			C 14	EMVL160ADA100MD60	NCH	C 312	EMVL160ADA100MD60	NCH
			C 15	GRM188B11E104KA01	MUR	C 313	EMVL160ADA100MD60	NCH
			C 16	GRM188B11E104KA01	MUR	C 315	EMVL160ADA100MD60	NCH
			C 21	GRM1882C1H100JA01	MUR	C 316	EMVL160ADA100MD60	NCH
			C 31	GRM1882C1H150JA01	MUR	C 317	GRM188B11E104KA01	MUR
			C 32	BKME160ELL100ME11	NCH	C 318	EMVK250ADA101MHA0	NCH
			C 33	GRM1882C1H7R0DZ01	MUR	C 319	GRM188B11E104KA01	MUR
			C 34	EMVL160ADA100MD60	NCH	C 320	EMVK250ADA101MHA0	NCH
			C 35	GRM188B11E104KA01	MUR	C 321	EMVK250ADA101MHA0	NCH
			C 36	GRM188B11E104KA01	MUR	C 322	GRM188B11E104KA01	MUR
			C 41	GRM1882C1H100JA01	MUR	C 323	EMVK250ADA101MHA0	NCH
			C 51	GRM1882C1H150JA01	MUR	C 324	GRM188B11E104KA01	MUR
			C 52	BKME160ELL100ME11	NCH	C 325	EMVL160ADA470MF60	NCH
			C 53	GRM1882C1H7R0DZ01	MUR	C 326	GRM1882C1H150JA01	MUR
			C 54	EMVL160ADA100MD60	NCH	C 327	267M2002225MR	NCC
			C 55	GRM188B11E104KA01	MUR	C 328	267M2002225MR	NCC
			C 56	GRM188B11E104KA01	MUR	C 329	GRM188B11H103KA01	MUR
			C 61	GRM1882C1H100JA01	MUR	C 330	GRM188B11H103KA01	MUR
			C 71	BKME160ELL100ME11	NCH	C 331	GRM188B11E104KA01	MUR
			C 72	※		C 332	EMVL160ADA100MD60	NCH
			C 73	EMVL160ADA100MD60	NCH	C 333	EMVL160ADA100MD60	NCH
			C 74	GRM188B11E104KA01	MUR	C 334	GRM1882C1H101JA01	MUR
			C 75	GRM188B11E104KA01	MUR	C 351	EMVL160ADA100MD60	NCH
			C 76	GRM1882C1H470JA01	MUR	C 352	※	
			C 101	EMVK250ADA101MHA0	NCH	C 401	BKME500ELL1R0ME11	NCH
			C 104	GRM188B11E104KA01	MUR	C 402	GRM188B11E104KA01	MUR
			C 105	EMVK250ADA101MHA0	NCH	C 403	※	
			C 106	GRM188B11E104KA01	MUR	C 501	EMVK250ADA101MHA0	NCH
			C 107	EMVK250ADA101MHA0	NCH	C 504	GRM188B11E104KA01	MUR
			C 108	GRM188B11E104KA01	MUR	C 505	EMVK250ADA101MHA0	NCH
			C 109	GRM188B11E104KA01	MUR	C 506	GRM188B11E104KA01	MUR
			C 110	GRM1884C1H2R0CZ01	MUR	C 507	EMVK250ADA101MHA0	NCH
			C 111	GRM1884C1H2R0CZ01	MUR	C 508	GRM188B11E104KA01	MUR
			C 112	EMVL160ADA100MD60	NCH	C 509	GRM188B11E104KA01	MUR
			C 113	EMVL160ADA100MD60	NCH	C 510	GRM1884C1H2R0CZ01	MUR
			C 115	EMVL160ADA100MD60	NCH	C 511	GRM1884C1H2R0CZ01	MUR
			C 116	EMVL160ADA100MD60	NCH	C 512	EMVL160ADA100MD60	NCH
			C 117	GRM188B11E104KA01	MUR	C 513	EMVL160ADA100MD60	NCH
			C 118	EMVK250ADA101MHA0	NCH	C 515	EMVL160ADA100MD60	NCH
			C 119	GRM188B11E104KA01	MUR	C 516	EMVL160ADA100MD60	NCH
			C 120	EMVK250ADA101MHA0	NCH	C 517	GRM188B11E104KA01	MUR
			C 121	EMVK250ADA101MHA0	NCH	C 518	EMVK250ADA101MHA0	NCH
			C 122	GRM188B11E104KA01	MUR	C 519	GRM188B11E104KA01	MUR
			C 123	EMVK250ADA101MHA0	NCH	C 520	EMVK250ADA101MHA0	NCH
			C 124	GRM188B11E104KA01	MUR	C 521	EMVK250ADA101MHA0	NCH
			C 125	EMVL160ADA470MF60	NCH	C 522	GRM188B11E104KA01	MUR
			C 126	GRM1882C1H150JA01	MUR	C 523	EMVK250ADA101MHA0	NCH
			C 127	267M2002225MR	NCC	C 524	GRM188B11E104KA01	MUR
			C 128	267M2002225MR	NCC	C 525	EMVL160ADA470MF60	NCH
			C 129	GRM188B11H103KA01	MUR	C 526	GRM1882C1H150JA01	MUR
			C 130	GRM188B11H103KA01	MUR	C 527	267M2002225MR	NCC
			C 131	GRM188B11E104KA01	MUR	C 528	267M2002225MR	NCC
			C 132	EMVL160ADA100MD60	NCH	C 529	GRM188B11H103KA01	MUR
			C 133	EMVL160ADA100MD60	NCH	C 530	GRM188B11H103KA01	MUR
			C 134	GRM1882C1H101JA01	MUR	C 531	GRM188B11E104KA01	MUR
			C 135	GRM1882C1H120JA01	MUR	C 532	EMVL160ADA100MD60	NCH
			C 136	GRM1882C1H390JA01	MUR	C 533	EMVL160ADA100MD60	NCH
			C 137	GRM1882C1H5R0CZ01	MUR	C 534	GRM1882C1H101JA01	MUR
			C 151	EMVL160ADA100MD60	NCH	C 551	EMVL160ADA100MD60	NCH
			C 152	※		C 552	※	
						C 553	GRM1884C1H2R0CZ01	MUR
						C 554	GRM1882C1H120JA01	MUR

SYMBOL	PARTS CODE	MFD.	SYMBOL	PARTS CODE	MFD.	SYMBOL	PARTS CODE	MFD.
C 555	GRM1882C1H390JA01	MUR	C 925	GRM188B11E104KA01	MUR	CM906	BN6003	KND
C 556	GRM1882C1H5R0CZ01	MUR	C 926	GRM188B11E104KA01	MUR	CM907	BCJFPLV01	KND
C 601	BKME500ELL1R0ME11	NCH	C 927	GRM188B11E104KA01	MUR	CM907	BN6003	KND
C 602	GRM188B11E104KA01	MUR	C 928	GRM188B11E104KA01	MUR	CM908	BCJFPLV01	KND
C 603	*		C 929	GRM188B11E104KA01	MUR	CM908	BN6003	KND
C 701	GRM188B11E104KA01	MUR	C 930	GRM188B11E104KA01	MUR	CN9	PCN12A64P2R54DS71	HRS
C 702	EMVK250ADA101MHA0	NCH	C 931	GRM188B11E104KA01	MUR	CN210	HIF3FC20PA2R54DSA-A	HRS
C 703	GRM188B11E104KA01	MUR	C 932	EMVY160ADA471MHA0G	NCH	CN310	LY206PDT1P1E	JAE
C 704	EMVK250ADA101MHA0	NCH	C 933	GRM188B11E104KA01	MUR			
C 705	GRM188B11E104KA01	MUR	C 934	GRM188B11E104KA01	MUR	< DIODES >		
C 706	EKM250ELL471MJC5	NCH	C 935	267M3502224MR	NCC	D 101	1SS181TE85LF	TSB
C 707	GRM188B11E104KA01	MUR	C 936	GRM188B11H103KA01	MUR	D 102	RD6R8MB2T1BA	NEC
C 708	EMVK250ADA101MHA0	NCH	C 937	267M1602105MR	NCC	D 104	1SS181TE85LF	TSB
C 709	267M3502224MR	NCC	C 938	EMVL160ADA100MD60	NCH	D 105	HZM3R0NB1TLE	RNES
C 710	267M3502224MR	NCC	C 939	GRM188B11E104KA01	MUR	D 106	1SS181TE85LF	TSB
C 711	267M3502224MR	NCC	C 940	267M1602105MR	NCC	D 301	RD6R8MB2T1BA	NEC
C 712	GRM188B11H103KA01	MUR	C 941	267M1602105MR	NCC	D 302	1SS181TE85LF	TSB
C 713	GRM188B11H103KA01	MUR	C 942	EMVL160ADA470MF60	NCH	D 303	RD6R8MB2T1BA	NEC
C 714	GRM188B11E104KA01	MUR	C 943	GRM188B11E104KA01	MUR	D 305	1SS181TE85LF	TSB
C 715	GRM188B11E104KA01	MUR	C 944	EMVL160ADA470MF60	NCH	D 306	HZM3R0NB1TLE	RNES
C 716	GRM188B11E104KA01	MUR	C 945	GRM188B11E104KA01	MUR	D 307	1SS181TE85LF	TSB
C 717	267M3502224MR	NCC	C 946	GRM188B11E104KA01	MUR	D 501	1SS181TE85LF	TSB
C 718	267M3502224MR	NCC	C 947	GRM188B11E104KA01	MUR	D 502	RD6R8MB2T1BA	NEC
C 719	267M3502224MR	NCC	C 948	GRM1882C1H101JA01	MUR	D 504	1SS181TE85LF	TSB
C 720	GRM188B11E104KA01	MUR	C 949	EMVL160ADA100MD60	NCH	D 505	HZM3R0NB1TLE	RNES
C 721	GRM188B11E104KA01	MUR	C 951	GRM188B11E104KA01	MUR	D 506	1SS181TE85LF	TSB
C 722	*		C 952	GRM188B11E104KA01	MUR	D 701	1SS181TE85LF	TSB
C 723	GRM188B11E104KA01	MUR	C 953	GRM188B11E104KA01	MUR	D 702	1SS181TE85LF	TSB
C 724	GRM188B11E104KA01	MUR	C 954	EMVL160ADA100MD60	NCH	D 703	1SS181TE85LF	TSB
C 725	GRM188B11E104KA01	MUR	C 955	GRM188B11E104KA01	MUR	D 704	RD5R1MBT1BA	NEC
C 726	GRM188B11E104KA01	MUR	C 956	*		D 901	1SS181TE85LF	TSB
C 727	GRM188B11E104KA01	MUR	C 957	*		D 902	1SS181TE85LF	TSB
C 728	GRM188B11E104KA01	MUR	C 958	*		D 903	1SS123A7T1BA	NEC
C 729	GRM188B11E104KA01	MUR	C 959	*		D 904	1SS123A7T1BA	NEC
C 730	GRM188B11E104KA01	MUR	C 960	GRM188B11E104KA01	MUR	D 905	1SS123A7T1BA	NEC
C 731	GRM188B11E104KA01	MUR	C 961	267M3502224MR	NCC	D 908	1SS123A7T1BA	NEC
C 732	*		C 962	GRM188B11H103KA01	MUR	D 909	1SS123A7T1BA	NEC
C 733	GRM188B11E104KA01	MUR	C 963	*		D 910	1SS123A7T1BA	NEC
C 734	GRM188B11E104KA01	MUR	C 964	*		D 911	DFH10TG	SYO
C 735	GRM188B11E104KA01	MUR	C 965	267M1602105MR	NCC	D 912	DFH10TG	SYO
C 736	GRM188B11E104KA01	MUR	C 966	*		D 913	DFH10TG	SYO
C 737	GRM188B11E104KA01	MUR	C 967	GRM188B11E104KA01	MUR	D 914	DFH10TG	SYO
C 738	GRM188B11E104KA01	MUR	C 968	EMVL160ADA100MD60	NCH	D 915	DFH10TG	SYO
C 739	GRM188B11E104KA01	MUR	C 969	GRM188B11E104KA01	MUR	D 916	1SS294TE85RF	TSB
C 740	GRM188B11E104KA01	MUR	C 970	*		D 917	1SS294TE85RF	TSB
C 741	GRM188B11E104KA01	MUR	C 971	GRM1882C1H100JA01	MUR	D 918	1SS294TE85RF	TSB
C 742	GRM188B11E104KA01	MUR	C 972	GRM188B11H103KA01	MUR	D 921	1SS181TE85LF	TSB
C 743	GRM188B11E104KA01	MUR	C 973	GRM188B11H223KA01	MUR	D 922	1SS181TE85LF	TSB
C 744	267M3502224MR	NCC	C 974	GRM1882C1H102JA01	MUR			
C 745	GRM188B11E104KA01	MUR	C 975	267M3502224MR	NCC	< DELAY LINES >		
C 746	*		C 976	EMVY160ADA101MF55	NCH	DL 101	SIL30N351	JPC
C 747	GRM1882C1H5R0CZ01	MUR	C 977	EMVY160ADA471MHA0G	NCH	DL 301	SIL30N351	JPC
C 748	EKM250ELL471MJC5	NCH	C 978	GRM188B11E104KA01	MUR	DL 501	SIL30N351	JPC
C 749	GRM188B11E104KA01	MUR	C 979	GRM188B11E104KA01	MUR	DL 701	SIL30N351	JPC
C 750	GRM188B11E104KA01	MUR	C 980	GRM188B11E104KA01	MUR			
C 751	EMVL6R3ADA470ME60G	NCH	C 981	GRM188B11E104KA01	MUR	< INTEGRATED CIRCUITS >		
C 752	GRM188B11E104KA01	MUR	C 982	GRM188B11E104KA01	MUR	IC 102	TC4W53FTE12LF	TSB
C 902	GRM188B11E104KA01	MUR	C 983	GRM188B11E104KA01	MUR	IC 103	TC4W53FTE12LF	TSB
C 903	GRM188B11E104KA01	MUR	C 984	GRM188B11E104KA01	MUR	IC 104	TC4S66FTE85LF	TSB
C 904	GRM188B11E104KA01	MUR	C 985	GRM188B11E104KA01	MUR	IC 105	TC4W53FTE12LF	TSB
C 905	EMVL160ADA100MD60	NCH	C 986	GRM188B11E104KA01	MUR	IC 106	UPC4082G2A	NEC
C 906	GRM1882C1H560JA01	MUR	< CONNECTORS >			IC 107	TC4W53FTE12LF	TSB
C 907	GRM1882C1H470JA01	MUR	CM901	BCJFPLV01	KND	IC 108	TC4W53FTE12LF	TSB
C 908	GRM188B11E104KA01	MUR	CM901	BN6003	KND	IC 302	TC4W53FTE12LF	TSB
C 911	GRM1882C1H101JA01	MUR	CM902	BCJFPLV01	KND	IC 303	TC4W53FTE12LF	TSB
C 912	GRM188B11E104KA01	MUR	CM902	BN6003	KND	IC 304	TC4S66FTE85LF	TSB
C 913	GRM188B11E104KA01	MUR	CM903	BCJFPLV01	KND	IC 305	TC4W53FTE12LF	TSB
C 914	GRM188B11E104KA01	MUR	CM903	BN6003	KND	IC 306	UPC4082G2A	NEC
C 916	GRM188B11E104KA01	MUR	CM904	BCJFPLV01	KND	IC 307	TC4W53FTE12LF	TSB
C 917	GRM188B11E104KA01	MUR	CM904	BN6003	KND	IC 502	TC4W53FTE12LF	TSB
C 918	GRM188B11E104KA01	MUR	CM905	BCJFPLV01	KND	IC 503	TC4W53FTE12LF	TSB
C 919	GRM188B11E104KA01	MUR	CM905	BN6003	KND	IC 504	TC4S66FTE85LF	TSB
C 920	GRM188B11E104KA01	MUR	CM906	BCJFPLV01	KND			
C 923	GRM188B11E104KA01	MUR						
C 924	GRM188B11E104KA01	MUR						

SYMBOL	PARTS CODE	MFD.	SYMBOL	PARTS CODE	MFD.	SYMBOL	PARTS CODE	MFD.
IC 505	TC4W53FTE12LF	TSB	R 12	RGC1/16C121DTP	KMY	R 121	RGC1/16K150DTP	KMY
IC 506	UPC4082G2A	NEC	R 13	RGC1/16C122DTP	KMY	R 122	RMC1/16JPTP	KMY
IC 507	TC4W53FTE12LF	TSB	R 14	RGC1/16C331DTP	KMY	R 123	RGC1/16C122DTP	KMY
IC 508	TC4W53FTE12LF	TSB	R 15	RGC1/16C122DTP	KMY	R 124	RGC1/16C151DTP	KMY
IC 701	CXA1739S	SON	R 16	RGC1/16C121DTP	KMY	R 125	RGC1/16K750DTP	KMY
IC 701	DIF40	MIZ	R 17	RGC1/16C331DTP	KMY	R 126	RGC1/16C103DTP	KMY
IC 702	LM318PS	TEX	R 18	RGC1/16C222DTP	KMY	R 127	RGC1/16C152DTP	KMY
IC 703	NJM4558MTE1SHPZZZ	SJRC	R 19	RGC1/16C471DTP	KMY	R 128	RMC1/16JPTP	KMY
IC 704	NJM4558MTE1SHPZZZ	SJRC	R 20	RGC1/16C183DTP	KMY	R 129	RGC1/16C101DTP	KMY
IC 705	NJM4558MTE1SHPZZZ	SJRC	R 21	RGC1/16C103DTP	KMY	R 130	RGC1/16C222DTP	KMY
IC 706	NJM4558MTE1SHPZZZ	SJRC	R 22	RGC1/16C473DTP	KMY	R 132	RGC1/16C101DTP	KMY
IC 707	TC4W53FTE12LF	TSB	R 23	RGC1/16C101DTP	KMY	R 134	RGC1/16C103DTP	KMY
IC 709	NJM4558MTE1SHPZZZ	SJRC	R 24	RGC1/16C102DTP	KMY	R 135	RGC1/16C101DTP	KMY
IC 710	TC4W53FTE12LF	TSB	R 31	RGC1/16C473DTP	KMY	R 136	RGC1/16C472DTP	KMY
IC 711	TL7700CPWETAPL	TEX	R 32	RGC1/16C121DTP	KMY	R 137	RMC1/16154FTP	KMY
IC 901	TC4W53FTE12LF	TSB	R 33	RGC1/16C122DTP	KMY	R 138	RGC1/16C103DTP	KMY
IC 902	GS4981CKAE3	GNM	R 34	RGC1/16C331DTP	KMY	R 139	RGC1/16C104DTP	KMY
IC 903	SN74AHC00PWR	TEX	R 35	RGC1/16C122DTP	KMY	R 140	RMC1100FTE	KMY
IC 904	TC4W53FTE12LF	TSB	R 36	RGC1/16C121DTP	KMY	R 141	RMC1100FTE	KMY
IC 905	TC4W53FTE12LF	TSB	R 37	RGC1/16C331DTP	KMY	R 151	RGC1/16C122DTP	KMY
IC 906	TC4W53FTE12LF	TSB	R 38	RGC1/16C222DTP	KMY	R 152	RGC1/16C122DTP	KMY
IC 907	TC4W53FTE12LF	TSB	R 39	RGC1/16C471DTP	KMY	R 153	RGC1/16C122DTP	KMY
IC 908	UPC393G2E2A	NEC	R 40	RGC1/16C183DTP	KMY	R 154	RGC1/16C122DTP	KMY
IC 909	SN74AHC00PWR	TEX	R 41	RGC1/16C103DTP	KMY	R 155	RGC1/16C103DTP	KMY
IC 910	NJU3718GTE1SHPZZZ	SJRC	R 42	RGC1/16C473DTP	KMY	R 201	RGC1/16C472DTP	KMY
IC 911	90ST903264	ALT	R 43	RGC1/16C101DTP	KMY	R 202	RGC1/16C102DTP	KMY
IC 912	TLC2932IPWRG4	TEX	R 44	RGC1/16C102DTP	KMY	R 203	RGC1/16C102DTP	KMY
IC 913	SN74LV541APWR	TEX	R 51	RGC1/16C473DTP	KMY	R 204	RGC1/16C472DTP	KMY
IC 914	SN74LV541APWR	TEX	R 52	RGC1/16C121DTP	KMY	R 205	RGC1/16C472DTP	KMY
IC 915	NJU3718GTE1SHPZZZ	SJRC	R 53	RGC1/16C122DTP	KMY	R 206	RGC1/16C101DTP	KMY
IC 916	TC4W53FTE12LF	TSB	R 54	RGC1/16C331DTP	KMY	R 207	RGC1/16C472DTP	KMY
IC 917	TC7W08FTE12LF	TSB	R 55	RGC1/16C122DTP	KMY	R 208	RGC1/16C472DTP	KMY
IC 918	SN74AHC1G04HDBV3	TEX	R 56	RGC1/16C121DTP	KMY	R 210	RGC1/16C331DTP	KMY
IC 919	SN74AHC1G08HDBV3	TEX	R 57	RGC1/16C331DTP	KMY	R 211	RGC1/16C101DTP	KMY
IC 920	TLC2932IPWRG4	TEX	R 58	RGC1/16C222DTP	KMY	R 214	RGC1/16C101DTP	KMY
IC 921	TC7W08FTE12LF	TSB	R 59	RGC1/16C471DTP	KMY	R 216	RGC1/16C103DTP	KMY
IC 922	90ST9032652	ALT	R 60	RGC1/16C183DTP	KMY	R 217	RGC1/16C103DTP	KMY
			R 61	RGC1/16C103DTP	KMY	R 218	RGC1/16C103DTP	KMY
			R 62	RGC1/16C473DTP	KMY	R 219	RGC1/16C562DTP	KMY
< COILS >			R 63	RGC1/16C101DTP	KMY	R 220	RGC1/16C152DTP	KMY
L 1	SLF7045T101MR50PF	TDK	R 64	RGC1/16C102DTP	KMY	R 221	RGC1/16C152DTP	KMY
L 101	SLF7045T101MR50PF	TDK	R 71	RGC1/16C473DTP	KMY	R 222	RGC1/16C222DTP	KMY
L 102	SLF7045T101MR50PF	TDK	R 72	RGC1/16C121DTP	KMY	R 223	RGC1/16C821DTP	KMY
L 103	SLF7045T101MR50PF	TDK	R 73	RGC1/16C122DTP	KMY	R 224	RGC1/16C472DTP	KMY
L 104	SLF7045T101MR50PF	TDK	R 74	RGC1/16C331DTP	KMY	R 225	RGC1/16C103DTP	KMY
L 301	SLF7045T101MR50PF	TDK	R 75	RGC1/16C122DTP	KMY	R 226	RGC1/16C101DTP	KMY
L 302	SLF7045T101MR50PF	TDK	R 76	RGC1/16C121DTP	KMY	R 228	RGC1/16C153DTP	KMY
L 303	SLF7045T101MR50PF	TDK	R 77	RGC1/16C331DTP	KMY	R 229	RGC1/16C152DTP	KMY
L 304	SLF7045T101MR50PF	TDK	R 78	※		R 230	RGC1/16C152DTP	KMY
L 501	SLF7045T101MR50PF	TDK	R 79	RGC1/16C471DTP	KMY	R 231	RGC1/16C152DTP	KMY
L 502	SLF7045T101MR50PF	TDK	R 80	RGC1/16C183DTP	KMY	R 232	RGC1/16C152DTP	KMY
L 503	SLF7045T101MR50PF	TDK	R 81	RGC1/16C103DTP	KMY	R 233	RGC1/16C103DTP	KMY
L 504	SLF7045T101MR50PF	TDK	R 82	RGC1/16C473DTP	KMY	R 250	RGC1/16C101DTP	KMY
L 701	SLF7045T101MR50PF	TDK	R 83	RGC1/16C101DTP	KMY	R 251	RGC1/16C682DTP	KMY
L 702	SLF7045T101MR50PF	TDK	R 84	RGC1/16C102DTP	KMY	R 252	RGC1/16C682DTP	KMY
L 703	SLF7045T101MR50PF	TDK	R 101	RGC1/16C101DTP	KMY	R 253	RGC1/16C682DTP	KMY
L 704	SLF7045T101MR50PF	TDK	R 102	RGC1/16C821DTP	KMY	R 254	RGC1/16C101DTP	KMY
L 901	BLM21A601SPT	MUR	R 103	RGC1/16C101DTP	KMY	R 255	RGC1/16C103DTP	KMY
L 902	BLM41A800SPT	MUR	R 104	RGC1/16C102DTP	KMY	R 256	RGC1/16C472DTP	KMY
L 903	BLM21A601SPT	MUR	R 105	RGC1/16C472DTP	KMY	R 257	RMC1/16JPTP	KMY
L 904	BLM21A601SPT	MUR	R 106	RGC1/16C102DTP	KMY	R 258	RGC1/16C471DTP	KMY
L 905	BLM41A800SPT	MUR	R 107	RGC1/16C471DTP	KMY	R 259	MOS1C102J	KOA
			R 108	RGC1/16C472DTP	KMY	R 260	MOS1C102J	KOA
< RESISTORS >			R 109	RGC1/16C472DTP	KMY	R 261	RGC1/16C101DTP	KMY
			R 110	※		R 262	RGC1/16C101DTP	KMY
R 1	※		R 111	RGC1/16C332DTP	KMY	R 263	MOS1C102J	KOA
R 2	※		R 112	RGC1/16K330DTP	KMY	R 266	RGC1/16C222DTP	KMY
R 3	RMC1100FTE	KMY	R 113	RMC1/16JPTP	KMY	R 267	RGC1/16C471DTP	KMY
R 4	RMC1100FTE	KMY	R 114	RGC1/16C152DTP	KMY	R 268	RGC1/16C472DTP	KMY
R 5	※		R 115	RGC1/16C151DTP	KMY	R 269	RGC1/16C471DTP	KMY
R 6	※		R 116	RGC1/16K470DTP	KMY	R 270	RGC1/16C102DTP	KMY
R 7	※		R 117	RGC1/16C822DTP	KMY	R 271	RGC1/16C102DTP	KMY
R 8	※		R 118	RGC1/16C561DTP	KMY	R 272	RGC1/16C102DTP	KMY
R 9	※		R 119	RGC1/16C331DTP	KMY	R 273	RGC1/16C222DTP	KMY
R 11	RGC1/16C473DTP	KMY	R 120	RGC1/16C472DTP	KMY	R 274	RGC1/16C222DTP	KMY

SYMBOL	PARTS CODE	MFD.	SYMBOL	PARTS CODE	MFD.	SYMBOL	PARTS CODE	MFD.
R 275	RGC1/16C102DTP	KMY	R 409	RGC1/16C472DTP	KMY	R 511	RGC1/16C332DTP	KMY
R 276	RGC1/16C104DTP	KMY	R 410	RGC1/16C331DTP	KMY	R 512	RGC1/16K330DTP	KMY
R 277	RGC1/16C103DTP	KMY	R 411	RGC1/16C101DTP	KMY	R 513	RMC1/16JPTP	KMY
R 280	RMC1/16JPTP	KMY	R 414	RGC1/16C101DTP	KMY	R 514	RGC1/16C152DTP	KMY
R 281	RGC1/16C683DTP	KMY	R 416	RGC1/16C103DTP	KMY	R 515	RGC1/16C151DTP	KMY
R 282	RGC1/16C103DTP	KMY	R 418	*		R 516	RGC1/16K470DTP	KMY
R 283	RGC1/16C101DTP	KMY	R 419	RGC1/16C102DTP	KMY	R 517	RGC1/16C822DTP	KMY
R 284	RGC1/16C472DTP	KMY	R 420	RGC1/16C152DTP	KMY	R 518	RGC1/16C561DTP	KMY
R 285	RGC1/16C472DTP	KMY	R 421	RGC1/16C152DTP	KMY	R 519	RGC1/16C331DTP	KMY
R 286	RGC1/16C331DTP	KMY	R 422	RGC1/16C222DTP	KMY	R 520	RGC1/16C472DTP	KMY
R 287	RGC1/16C153DTP	KMY	R 423	RGC1/16C821DTP	KMY	R 521	RGC1/16K150DTP	KMY
R 288	RGC1/16C152DTP	KMY	R 424	RGC1/16C122DTP	KMY	R 522	RMC1/16JPTP	KMY
R 289	RGC1/16C152DTP	KMY	R 425	RGC1/16C101DTP	KMY	R 523	RGC1/16C122DTP	KMY
R 290	RGC1/16C104DTP	KMY	R 426	RGC1/16C101DTP	KMY	R 524	RGC1/16C151DTP	KMY
R 291	RGC1/16C152DTP	KMY	R 428	RGC1/16C103DTP	KMY	R 525	RGC1/16K750DTP	KMY
R 292	RGC1/16C152DTP	KMY	R 429	RGC1/16C152DTP	KMY	R 526	RGC1/16C103DTP	KMY
R 293	RMC1/16JPTP	KMY	R 430	RGC1/16C152DTP	KMY	R 527	RGC1/16C152DTP	KMY
R 294	*		R 431	RGC1/16C152DTP	KMY	R 528	RMC1/16JPTP	KMY
R 295	*		R 432	RGC1/16C152DTP	KMY	R 529	RGC1/16C101DTP	KMY
R 296	*		R 433	RGC1/16C103DTP	KMY	R 530	RGC1/16C222DTP	KMY
R 297	RGC1/16C101DTP	KMY	R 450	RGC1/16C101DTP	KMY	R 532	RGC1/16C101DTP	KMY
R 301	RGC1/16C101DTP	KMY	R 451	RGC1/16C682DTP	KMY	R 534	RGC1/16C103DTP	KMY
R 302	RGC1/16C821DTP	KMY	R 452	RGC1/16C682DTP	KMY	R 535	RGC1/16C101DTP	KMY
R 303	RGC1/16C103DTP	KMY	R 453	RGC1/16C682DTP	KMY	R 536	RGC1/16C472DTP	KMY
R 304	RGC1/16C101DTP	KMY	R 454	RGC1/16C101DTP	KMY	R 537	RMC1/16154FTP	KMY
R 305	RGC1/16C472DTP	KMY	R 455	RGC1/16C103DTP	KMY	R 538	RGC1/16C103DTP	KMY
R 307	RGC1/16C471DTP	KMY	R 456	RGC1/16C472DTP	KMY	R 539	RGC1/16C104DTP	KMY
R 308	RGC1/16C562DTP	KMY	R 457	RMC1/16JPTP	KMY	R 540	RMC1100FTE	KMY
R 309	RGC1/16C562DTP	KMY	R 458	RGC1/16C471DTP	KMY	R 541	RMC1100FTE	KMY
R 310	RGC1/16C562DTP	KMY	R 459	MOS1C102J	KOA	R 551	RGC1/16C122DTP	KMY
R 311	RGC1/16C332DTP	KMY	R 460	MOS1C102J	KOA	R 552	RGC1/16C122DTP	KMY
R 312	RGC1/16K330DTP	KMY	R 461	RGC1/16C101DTP	KMY	R 553	RGC1/16C122DTP	KMY
R 313	RMC1/16JPTP	KMY	R 462	RGC1/16C101DTP	KMY	R 554	RGC1/16C122DTP	KMY
R 314	RGC1/16C152DTP	KMY	R 463	MOS1C102J	KOA	R 555	RGC1/16C103DTP	KMY
R 315	RGC1/16C151DTP	KMY	R 466	RGC1/16C222DTP	KMY	R 601	RGC1/16C472DTP	KMY
R 316	RGC1/16K470DTP	KMY	R 467	RGC1/16C471DTP	KMY	R 602	RGC1/16C102DTP	KMY
R 317	RGC1/16C822DTP	KMY	R 468	RGC1/16C472DTP	KMY	R 603	RGC1/16C102DTP	KMY
R 318	RGC1/16C561DTP	KMY	R 469	RGC1/16C471DTP	KMY	R 604	RGC1/16C472DTP	KMY
R 319	RGC1/16C331DTP	KMY	R 470	RGC1/16C102DTP	KMY	R 605	RGC1/16C472DTP	KMY
R 320	RGC1/16C472DTP	KMY	R 471	RGC1/16C102DTP	KMY	R 606	RGC1/16C101DTP	KMY
R 321	RGC1/16K150DTP	KMY	R 472	RGC1/16C102DTP	KMY	R 607	RGC1/16C472DTP	KMY
R 322	RMC1/16JPTP	KMY	R 473	RGC1/16C222DTP	KMY	R 608	RGC1/16C472DTP	KMY
R 323	RGC1/16C122DTP	KMY	R 474	RGC1/16C222DTP	KMY	R 610	RGC1/16C331DTP	KMY
R 324	RGC1/16K151DTP	KMY	R 475	RGC1/16C102DTP	KMY	R 611	RGC1/16C101DTP	KMY
R 325	RGC1/16K750DTP	KMY	R 476	RGC1/16C104DTP	KMY	R 614	RGC1/16C101DTP	KMY
R 326	RGC1/16C103DTP	KMY	R 477	RGC1/16C103DTP	KMY	R 616	RGC1/16C103DTP	KMY
R 327	RGC1/16C152DTP	KMY	R 478	RGC1/16C472DTP	KMY	R 617	*	
R 328	RMC1/16JPTP	KMY	R 480	RMC1/16JPTP	KMY	R 618	RGC1/16C103DTP	KMY
R 329	RGC1/16C101DTP	KMY	R 481	RGC1/16C683DTP	KMY	R 619	RGC1/16C562DTP	KMY
R 330	RGC1/16C222DTP	KMY	R 482	RGC1/16C103DTP	KMY	R 620	RGC1/16C152DTP	KMY
R 332	RGC1/16C101DTP	KMY	R 483	RGC1/16C101DTP	KMY	R 621	RGC1/16C152DTP	KMY
R 334	RGC1/16C103DTP	KMY	R 484	RGC1/16C472DTP	KMY	R 622	RGC1/16C222DTP	KMY
R 335	RGC1/16C101DTP	KMY	R 485	RGC1/16C472DTP	KMY	R 623	RGC1/16C821DTP	KMY
R 336	RGC1/16C472DTP	KMY	R 486	RGC1/16C331DTP	KMY	R 624	RGC1/16C472DTP	KMY
R 337	RMC1/16154FTP	KMY	R 487	RGC1/16C103DTP	KMY	R 625	RGC1/16C103DTP	KMY
R 338	RGC1/16C103DTP	KMY	R 488	RGC1/16C102DTP	KMY	R 626	RGC1/16C101DTP	KMY
R 339	RGC1/16C104DTP	KMY	R 489	RGC1/16C101DTP	KMY	R 628	RGC1/16C153DTP	KMY
R 340	RMC1100FTE	KMY	R 490	RGC1/16C222DTP	KMY	R 629	RGC1/16C152DTP	KMY
R 341	RMC1100FTE	KMY	R 493	RMC1/16JPTP	KMY	R 630	RGC1/16C152DTP	KMY
R 351	RGC1/16C122DTP	KMY	R 494	*		R 631	RGC1/16C152DTP	KMY
R 352	RGC1/16C122DTP	KMY	R 495	*		R 632	RGC1/16C152DTP	KMY
R 353	RGC1/16C122DTP	KMY	R 496	*		R 633	RGC1/16C103DTP	KMY
R 354	RGC1/16C122DTP	KMY	R 497	RGC1/16C101DTP	KMY	R 650	RGC1/16C101DTP	KMY
R 355	RGC1/16C472DTP	KMY	R 498	RGC1/16C472DTP	KMY	R 651	RGC1/16C682DTP	KMY
R 356	RGC1/16C472DTP	KMY	R 499	RGC1/16C472DTP	KMY	R 652	RGC1/16C682DTP	KMY
R 357	RGC1/16C103DTP	KMY	R 501	RGC1/16C101DTP	KMY	R 653	RGC1/16C682DTP	KMY
R 358	RGC1/16C472DTP	KMY	R 502	RGC1/16C821DTP	KMY	R 654	RGC1/16C101DTP	KMY
R 401	RGC1/16C472DTP	KMY	R 503	RGC1/16C101DTP	KMY	R 655	RGC1/16C103DTP	KMY
R 402	RGC1/16C102DTP	KMY	R 504	RGC1/16C102DTP	KMY	R 656	RGC1/16C472DTP	KMY
R 403	RGC1/16C102DTP	KMY	R 505	RGC1/16C472DTP	KMY	R 657	RMC1/16JPTP	KMY
R 404	RGC1/16C472DTP	KMY	R 506	RGC1/16C102DTP	KMY	R 658	RGC1/16C471DTP	KMY
R 405	RGC1/16C472DTP	KMY	R 507	RGC1/16C471DTP	KMY	R 659	MOS1C102J	KOA
R 406	RGC1/16C101DTP	KMY	R 508	RGC1/16C472DTP	KMY	R 660	MOS1C102J	KOA
R 407	RGC1/16C472DTP	KMY	R 509	RGC1/16C472DTP	KMY	R 661	RGC1/16C101DTP	KMY
R 408	RGC1/16C472DTP	KMY	R 510	*		R 662	RGC1/16C101DTP	KMY

SYMBOL	PARTS CODE	MFD.	SYMBOL	PARTS CODE	MFD.	SYMBOL	PARTS CODE	MFD.
TP 505	EYF6CU	MAT	TR 314	2SC3735T1BAB35	NEC	< VARIABLE RESISTORS >		
TP 506	EYF6CU	MAT	TR 315	2SA1461Y24T1BA	NEC			
TP 507	EYF6CU	MAT	TR 316	2SC3735T1BAB35	NEC	VR 101	ST4ETB102	CPL
TP 508	EYF6CU	MAT	TR 317	2SC3735T1BAB35	NEC	VR 102	ST4ETB103	CPL
TP 509	EYF6CU	MAT	TR 318	2SC3735T1BAB35	NEC	VR 103	ST4ETB103	CPL
TP 510	EYF6CU	MAT	TR 319	2SK3033TBE	SYO	VR 104	ST4ETB502	CPL
TP 701	EYF6CU	MAT	TR 320	UNR211100L	MEC	VR 105	ST4ETB503	CPL
TP 702	EYF6CU	MAT	TR 321	UNR211100L	MEC	VR 106	ST4ETB502	CPL
TP 703	EYF6CU	MAT	TR 322	2SC3735T1BAB35	NEC	VR 201	ST4ETB101	CPL
TP 901	EYF6CU	MAT	TR 323	2SA1461Y24T1BA	NEC	VR 202	*	
TP 903	EYF6CU	MAT	TR 324	2SC1623T1BAL6L7	NEC	VR 301	ST4ETB102	CPL
TP 904	EYF6CU	MAT	TR 325	2SC3735T1BAB35	NEC	VR 305	ST4ETB503	CPL
TP 905	EYF6CU	MAT	TR 501	2SA1461Y24T1BA	NEC	VR 401	ST4ETB101	CPL
TP 906	EYF6CU	MAT	TR 502	2SC3735T1BAB35	NEC	VR 402	*	
TP 907	EYF6CU	MAT	TR 503	2SC3735T1BAB35	NEC	VR 501	ST4ETB102	CPL
TP 908	EYF6CU	MAT	TR 504	2SC3735T1BAB35	NEC	VR 502	*	
TP 909	EYF6CU	MAT	TR 506	2SA1461Y24T1BA	NEC	VR 503	ST4ETB103	CPL
TP 910	EYF6CU	MAT	TR 507	2SC3735T1BAB35	NEC	VR 504	ST4ETB502	CPL
TP 911	EYF6CU	MAT	TR 508	2SC3735T1BAB35	NEC	VR 505	ST4ETB503	CPL
TP 912	EYF6CU	MAT	TR 509	2SC3735T1BAB35	NEC	VR 506	ST4ETB502	CPL
TP 913	EYF6CU	MAT	TR 510	2SC3735T1BAB35	NEC	VR 601	ST4ETB101	CPL
TP 914	EYF6CU	MAT	TR 512	2SC3735T1BAB35	NEC	VR 602	*	
TP 915	EYF6CU	MAT	TR 513	2SC3735T1BAB35	NEC	VR 701	ST4ETB201	CPL
< TRANSISTORS >			TR 514	2SC3735T1BAB35	NEC	VR 702	ST4ETB103	CPL
			TR 515	2SA1461Y24T1BA	NEC	VR 703	ST4ETB103	CPL
			TR 516	2SC3735T1BAB35	NEC	VR 704	*	
TR 11	2SC3735T1BAB35	NEC	TR 517	2SC3735T1BAB35	NEC	VR 705	ST4ETB103	CPL
TR 12	2SC3735T1BAB35	NEC	TR 518	2SC3735T1BAB35	NEC	VR 706	ST4ETB103	CPL
TR 13	2SC3735T1BAB35	NEC	TR 519	2SK3033TBE	SYO			
TR 14	2SC3735T1BAB35	NEC	TR 520	UNR211100L	MEC			
TR 31	2SC3735T1BAB35	NEC	TR 521	UNR211100L	MEC			
TR 32	2SC3735T1BAB35	NEC	TR 522	2SC3735T1BAB35	NEC			
TR 33	2SC3735T1BAB35	NEC	TR 523	2SA1461Y24T1BA	NEC			
TR 34	2SC3735T1BAB35	NEC	TR 524	2SC1623T1BAL6L7	NEC			
TR 51	2SC3735T1BAB35	NEC	TR 701	2SC3735T1BAB35	NEC			
TR 52	2SC3735T1BAB35	NEC	TR 702	2SC3735T1BAB35	NEC			
TR 53	2SC3735T1BAB35	NEC	TR 703	2SC3735T1BAB35	NEC			
TR 54	2SC3735T1BAB35	NEC	TR 704	2SC3735T1BAB35	NEC			
TR 71	2SC3735T1BAB35	NEC	TR 705	2SC3735T1BAB35	NEC			
TR 72	2SC3735T1BAB35	NEC	TR 706	2SC3735T1BAB35	NEC			
TR 73	2SC3735T1BAB35	NEC	TR 707	2SA1461Y24T1BA	NEC			
TR 74	2SC3735T1BAB35	NEC	TR 709	UNR221100L	MEC			
TR 101	2SA1461Y24T1BA	NEC	TR 710	UNR221100L	MEC			
TR 102	2SC3735T1BAB35	NEC	TR 711	UNR221100L	MEC			
TR 103	2SC3735T1BAB35	NEC	TR 712	UNR221100L	MEC			
TR 104	2SC3735T1BAB35	NEC	TR 713	UNR221100L	MEC			
TR 106	2SA1461Y24T1BA	NEC	TR 715	UNR221100L	MEC			
TR 107	2SC3735T1BAB35	NEC	TR 716	UNR221100L	MEC			
TR 108	2SC3735T1BAB35	NEC	TR 717	2SC3735T1BAB35	NEC			
TR 109	2SC3735T1BAB35	NEC	TR 718	UNR221100L	MEC			
TR 110	2SC3735T1BAB35	NEC	TR 719	2SC3735T1BAB35	NEC			
TR 112	2SC3735T1BAB35	NEC	TR 720	2SA1461Y24T1BA	NEC			
TR 113	2SC3735T1BAB35	NEC	TR 721	2SC3735T1BAB35	NEC			
TR 114	2SC3735T1BAB35	NEC	TR 722	UNR221100L	MEC			
TR 115	2SA1461Y24T1BA	NEC	TR 723	UNR221100L	MEC			
TR 116	2SC3735T1BAB35	NEC	TR 901	2SC3735T1BAB35	NEC			
TR 117	2SC3735T1BAB35	NEC	TR 902	UNR221100L	MEC			
TR 118	2SC3735T1BAB35	NEC	TR 903	2SA1461Y24T1BA	NEC			
TR 119	2SK3033TBE	SYO	TR 904	UNR221100L	MEC			
TR 120	UNR211100L	MEC	TR 905	2SC3735T1BAB35	NEC			
TR 121	UNR211100L	MEC	TR 906	2SA1461Y24T1BA	NEC			
TR 122	2SC3735T1BAB35	NEC	TR 907	2SC3631ZE1AZK	NEC			
TR 123	2SA1461Y24T1BA	NEC	TR 908	UNR221100L	MEC			
TR 124	2SC1623T1BAL6L7	NEC	TR 909	UNR221100L	MEC			
TR 301	2SA1461Y24T1BA	NEC	TR 910	UNR221100L	MEC			
TR 302	2SA1461Y24T1BA	NEC	TR 911	2SA1461Y24T1BA	NEC			
TR 303	2SC3735T1BAB35	NEC	< VARIABLE CAPACITORS >					
TR 304	2SC3735T1BAB35	NEC	VC 101	CV05A0601	COS			
TR 306	2SA1461Y24T1BA	NEC	VC 301	CV05A0601	COS			
TR 307	2SC3735T1BAB35	NEC	VC 501	CV05A0601	COS			
TR 308	2SC3735T1BAB35	NEC						
TR 309	2SC3735T1BAB35	NEC						
TR 310	2SC3735T1BAB35	NEC						
TR 312	2SC3735T1BAB35	NEC						
TR 313	2SC3735T1BAB35	NEC						

RGB OUT BOARD (1517R)

PP-906326

SYMBOL	PARTS CODE	MFD.	SYMBOL	PARTS CODE	MFD.	SYMBOL	PARTS CODE	MFD.
< CAPACITORS >			< RESISTORS >			R 324	RGC1/10C103DTP	KMY
C 101	EMVY160ADA101MF55	NCH	R 101	RMC1100FTE	KMY	R 325	※	
C 102	GRM21BB11H104KA01	MUR	R 102	RMC1100FTE	KMY	R 326	RGC1/10C152DTP	KMY
C 103	EMVY160ADA101MF55	NCH	R 103	RGC1/10C101DTP	KMY	R 327	RGC1/10C101DTP	KMY
C 104	GRM21BB11H104KA01	MUR	R 104	RGC1/10C472DTP	KMY	R 328	RGC1/10C473DTP	KMY
C 105	EMVY350ADA100ME55G	NCH	R 105	RGC1/10C472DTP	KMY	R 401	RGC1/10C471DTP	KMY
C 106	GRM40CH121J50PT	MUR	R 108	RGC1/10C101DTP	KMY	R 402	RMC1104FTE	KMY
C 107	GRM2162C1H820JZ01	MUR	R 109	RGC1/10C102DTP	KMY	R 403	※	
C 108	ESMG201ELL100MJC5	NCH	R 110	RMC1/10JPTP	KMY	R 404	RGC1/10C103DTP	KMY
C 109	ECQE2104KF	MAT	R 111	RGC1/10C561DTP	KMY	R 405	RGC1/10C103DTP	KMY
C 201	EMVY160ADA101MF55	NCH	R 112	RGC1/10C561DTP	KMY	R 406	RGC1/10C103DTP	KMY
C 202	GRM21BB11H104KA01	MUR	R 113	RGC1/10C561DTP	KMY	R 407	RGC1/10C103DTP	KMY
C 203	EMVY160ADA101MF55	NCH	R 114	RGC1/10C561DTP	KMY	R 408	RGC1/10C183DTP	KMY
C 204	GRM21BB11H104KA01	MUR	R 115	RNP10C1500FZ00	NKM	R 409	RGC1/10C102DTP	KMY
C 205	EMVY350ADA100ME55G	NCH	R 116	RNP10C1500FZ00	NKM	R 410	RGC1/10C472DTP	KMY
C 206	GRM40CH121J50PT	MUR	R 117	RGC1/10C103DTP	KMY	R 411	RGC1/10C104DTP	KMY
C 207	GRM2162C1H820JZ01	MUR	R 118	RMC1104FTE	KMY	R 412	RGC1/10C472DTP	KMY
C 208	ESMG201ELL100MJC5	NCH	R 119	RNP10C4700FZ00	NKM	R 417	RMC1/10JPTP	KMY
C 209	ECQE2104KF	MAT	R 120	RGC1/10C103DTP	KMY	< TEST POINTS >		
C 301	EMVY160ADA101MF55	NCH	R 121	RMC1104FTE	KMY	TP 101	EYF6CU	MAT
C 302	GRM21BB11H104KA01	MUR	R 122	RNP10C4700FZ00	NKM	TP 102	EYF6CU	MAT
C 303	EMVY160ADA101MF55	NCH	R 123	RGC1/10C101DTP	KMY	TP 201	EYF6CU	MAT
C 304	GRM21BB11H104KA01	MUR	R 124	RGC1/10C103DTP	KMY	TP 202	EYF6CU	MAT
C 305	EMVY350ADA100ME55G	NCH	R 125	※		TP 301	EYF6CU	MAT
C 306	GRM40CH121J50PT	MUR	R 126	RGC1/10C152DTP	KMY	TP 302	EYF6CU	MAT
C 307	GRM2162C1H820JZ01	MUR	R 127	RGC1/10C101DTP	KMY	< TRANSISTORS >		
C 308	ESMG201ELL100MJC5	NCH	R 128	RGC1/10C473DTP	KMY	TR 101	2SA1461Y24T1BA	NEC
C 309	ECQE2104KF	MAT	R 201	RMC1100FTE	KMY	TR 103	2SC3601	SYO
C 401	ECQE2104KF	MAT	R 202	RMC1100FTE	KMY	TR 103	40ST901396	SKK
C 402	ESMG201ELL220MJ20	NCH	R 203	RGC1/10C101DTP	KMY	TR 104	2SC3595DE	SYO
C 403	ESMG201ELL100MJC5	NCH	R 204	RGC1/10C472DTP	KMY	TR 105	2SA1209	SYO
C 404	ESMG201ELL470MK20	NCH	R 205	RGC1/10C472DTP	KMY	TR 106	2SA1407ED	SYO
< CONNECTORS >			R 208	RGC1/10C101DTP	KMY	TR 106	40ST901396	SKK
CN 213	HIF3FC20PA2R54DSA-A	HRS	R 209	RGC1/10C102DTP	KMY	TR 107	2SC2911S	SYO
CN 214	DF14P2R5DS05	HRS	R 210	RMC1/10JPTP	KMY	TR 109	2SA1209	SYO
CN 215	DF14P2R5DS05	HRS	R 211	RGC1/10C561DTP	KMY	TR 201	2SA1461Y24T1BA	NEC
CN 216	DF14P2R5DS05	HRS	R 212	RGC1/10C561DTP	KMY	TR 203	2SC3601	SYO
CN 217	DF12P2R5DSA05	HRS	R 213	RGC1/10C561DTP	KMY	TR 203	40ST901396	SKK
< DIODES >			R 214	RGC1/10C561DTP	KMY	TR 204	2SC3595DE	SYO
D 101	1SS83TDE	HIT	R 215	RNP10C1500FZ00	NKM	TR 205	2SA1209	SYO
D 102	1SS181TE85LF	TSB	R 216	RNP10C1500FZ00	NKM	TR 206	2SA1407ED	SYO
D 103	1SS181TE85LF	TSB	R 217	RGC1/10C103DTP	KMY	TR 206	40ST901396	SKK
D 104	1SS83TDE	HIT	R 218	RMC1104FTE	KMY	TR 207	2SC2911S	SYO
D 105	1SS83TDE	HIT	R 219	RNP10C4700FZ00	NKM	TR 209	2SA1209	SYO
D 201	1SS83TDE	HIT	R 220	RGC1/10C103DTP	KMY	TR 221	RMC1104FTE	KMY
D 202	1SS181TE85LF	TSB	R 221	RMC1104FTE	KMY	R 222	RNP10C4700FZ00	NKM
D 203	1SS181TE85LF	TSB	R 222	RNP10C4700FZ00	NKM	R 223	RGC1/10C101DTP	KMY
D 204	1SS83TDE	HIT	R 223	RGC1/10C101DTP	KMY	R 224	RGC1/10C103DTP	KMY
D 205	1SS83TDE	HIT	R 224	RGC1/10C103DTP	KMY	R 225	※	
D 301	1SS83TDE	HIT	R 226	RGC1/10C152DTP	KMY	R 227	RGC1/10C101DTP	KMY
D 302	1SS181TE85LF	TSB	R 227	RGC1/10C101DTP	KMY	R 228	RGC1/10C473DTP	KMY
D 303	1SS181TE85LF	TSB	R 228	RGC1/10C473DTP	KMY	R 301	RMC1100FTE	KMY
D 304	1SS83TDE	HIT	R 301	RMC1100FTE	KMY	R 302	RMC1100FTE	KMY
D 305	1SS83TDE	HIT	R 302	RMC1100FTE	KMY	R 303	RGC1/10C101DTP	KMY
< INTEGRATED CIRCUITS >			R 303	RGC1/10C101DTP	KMY	R 304	RGC1/10C472DTP	KMY
IC 101	UPC4081G2E1A	NEC	R 304	RGC1/10C472DTP	KMY	R 305	RGC1/10C472DTP	KMY
IC 201	UPC4081G2E1A	NEC	R 305	RGC1/10C472DTP	KMY	R 308	RGC1/10C101DTP	KMY
IC 301	UPC4081G2E1A	NEC	R 308	RGC1/10C101DTP	KMY	R 309	RGC1/10C102DTP	KMY
< COILS >			R 309	RGC1/10C102DTP	KMY	R 310	RMC1/10JPTP	KMY
L 103	TSL0709S101KR66PF	TDK	R 310	RMC1/10JPTP	KMY	R 311	RGC1/10C561DTP	KMY
L 203	TSL0709S101KR66PF	TDK	R 311	RGC1/10C561DTP	KMY	R 312	RGC1/10C561DTP	KMY
L 303	TSL0709S101KR66PF	TDK	R 312	RGC1/10C561DTP	KMY	R 313	RGC1/10C561DTP	KMY
L 401	TSL0709S101KR66PF	TDK	R 313	RGC1/10C561DTP	KMY	R 314	RGC1/10C561DTP	KMY
< VARIABLE RESISTORS >			R 314	RGC1/10C561DTP	KMY	R 315	RNP10C1500FZ00	NKM
VR 101	ST4ETB501	CPL	R 315	RNP10C1500FZ00	NKM	R 316	RNP10C1500FZ00	NKM
VR 201	ST4ETB501	CPL	R 316	RNP10C1500FZ00	NKM	R 317	RGC1/10C103DTP	KMY
VR 301	ST4ETB501	CPL	R 317	RGC1/10C103DTP	KMY	R 318	RMC1104FTE	KMY
VR 401	※		R 318	RMC1104FTE	KMY	R 319	RNP10C4700FZ00	NKM
			R 319	RNP10C4700FZ00	NKM	R 320	RGC1/10C103DTP	KMY
			R 320	RGC1/10C103DTP	KMY	R 321	RMC1104FTE	KMY
			R 321	RMC1104FTE	KMY	R 322	RNP10C4700FZ00	NKM
			R 322	RNP10C4700FZ00	NKM	R 323	RGC1/10C101DTP	KMY
			R 323	RGC1/10C101DTP	KMY			

CRT SOCKET BOARD (1517R)
PP-906523

DEF BOARD (COMMON)
PP-906354

SYMBOL	PARTS CODE	MFD.	SYMBOL	PARTS CODE	MFD.	SYMBOL	PARTS CODE	MFD.
< CAPACITORS >			< CAPACITORS >			C 607	EKMG161ELL100MJC5	NCH
C 1	DEBB33F471KC3B	MUR	C 101	EMVL350ADA100ME60G	NCH	C 608	GRM21BB11H104KA01	MUR
C 2	ECQE2104JF3	MAT	C 102	EKMG250ELL101MF11	NCH	C 609	EMVL160ADA470MF60	NCH
< CONNECTORS >			C 103	EMVY160ADA101MF55	NCH	C 610	EMVL160ADA100MD60	NCH
CN 204	90C4N59045	UTK	C 104	EMVL350ADA100ME60G	NCH	C 611	GRM21BB11H104KA01	MUR
CN 217	90C4N59044	UTK	C 105	EKMG250ELL101MF11	NCH	C 612	EMVL160ADA470MF60	NCH
CN 224	B1PLVTALF	NAT	C 106	EMVY160ADA101MF55	NCH	C 613	GRM2162C1H151JA01	MUR
CN 936	DF14P2R5DSA05	HRS	C 107	EMVL350ADA100ME60G	NCH	C 614	EKMG251ELL100MJ16	NCH
CN 937	DF14P2R5DSA05	HRS	C 108	EMVY160ADA101MF55	NCH	C 615	EKMG251ELL100MJ16	NCH
CN 938	DF14P2R5DSA05	HRS	C 109	EMVY160ADA101MF55	NCH	C 616	EKMG251ELL100MJ16	NCH
CN 950	HPS21990104089	HOS	C 110	GRM21BB11H104KA01	MUR	C 617	EKMG251ELL100MJ16	NCH
< COILS >			C 111	GRM21BB11H104KA01	MUR	C 626	267M3502105MR	NCC
L 1	LAL02TB2R7K	TYU	C 112	GRM21BB11H104KA01	MUR	C 627	GRM21BB11H104KA01	MUR
L 2	LAL02TB2R7K	TYU	C 113	GRM21BB11H104KA01	MUR	C 628	ELXZ350ELL471MJ20	NCH
L 3	LAL02TB2R2K	TYU	C 114	GRM21BB11H104KA01	MUR	C 629	ELXZ350ELL471MJ20	NCH
< RESISTORS >			C 115	GRM21BB11H104KA01	MUR	C 635	GRM40B103K50PT	MUR
R 1	CFS1/2CT26152J	KOA	C 116	EMVL160ADA470MF60	NCH	C 637	GRM2162C1H151JA01	MUR
R 2	CFS1/4CT26100J	KOA	C 117	GRM21BB11H104KA01	MUR	C 645	GRM21BB11H104KA01	MUR
R 3	CFS1/2CT26152J	KOA	C 118	EMVL160ADA470MF60	NCH	C 646	GRM21BB11H104KA01	MUR
R 4	CFS1/4CT26104J	KOA	C 119	GRM21BB11H104KA01	MUR	C 647	GRM21BB11H104KA01	MUR
R 5	CFS1/2CT26152J	KOA	C 120	EMVL160ADA470MF60	NCH	C 648	GRM21BB11H104KA01	MUR
R 6	CFS1/4CT26100J	KOA	C 121	GRM21BB11H104KA01	MUR	C 651	GRM21BB11H104KA01	MUR
R 7	CFS1/2CT26101J	KOA	C 122	EMVL160ADA470MF60	NCH	C 652	GRM21BB11H104KA01	MUR
R 8	CFS1/4CT26100J	KOA	C 201	GRM1882C1H100JA01	MUR	C 653	GRM426B104K50PT	MUR
< SPARK GAPS >			C 202	EKMG250ELL102MJ20	NCH	C 654	GRM426B104K50PT	MUR
SK 1	Y08UZ230B	SKO	C 203	GRM21BB11H104KA01	MUR	C 655	EMVL160ADA470MF60	NCH
SK 2	Y08UZ230B	SKO	C 204	GRM40CH101J50PT	MUR	< CONNECTORS >		
SK 3	Y08UZ230B	SKO	C 205	GRM40CH101J50PT	MUR	CN 110	A210PA2R54DS71	HRS
SK 4	Y08UZ230B	SKO	C 206	GRM40CH102J50PT	MUR	CN 201	DF13A20DP1R25V26	HRS
< TERMINALS >			C 207	GRM40CH102J50PT	MUR	CN 202	DF1BZ18DP2R5DSA	HRS
TB 907	624091	AMP	C 208	GRM21BB11H104KA01	MUR	CN 203	DF1BZ10P2R5DSA	HRS
< TEST POINTS >			C 209	GRM40CH101J50PT	MUR	CN 204	DF1BZ2P2R5DSA	HRS
TP 1	IPS1163A	IRS	C 210	GRM40CH101J50PT	MUR	CN 205	DF1BZ8P2R5DSA	HRS
TP 2	IPS1163A	IRS	C 211	GRM21BB11H104KA01	MUR	CN 250	DF1BZ4P2R5DSA	HRS
TP 3	IPS1163A	IRS	C 212	GRM188B11A154KA01D	MUR	CN 901	3504301	AMP
TP 4	IPS1163A	IRS	C 213	GRM21BB11H104KA01	MUR	CN 902	DF12P2R5DSA05	HRS
TP 5	IPS1163A	IRS	C 214	GRM216B11H822KA01	MUR	< DIODES >		
			C 215	GRM21BB11H104KA01	MUR	D 101	D2F605063	SND
			C 216	ECQP1H103GZW	MAT	D 102	D2F605063	SND
			C 217	GRM188B11H222KA01	MUR	D 103	D2F605063	SND
			C 218	GRM40B103K50PT	MUR	D 104	D2F605063	SND
			C 220	GRM21BB11H104KA01	MUR	D 105	D2F605063	SND
			C 221	EMVL160ADA100MD60	NCH	D 106	D2F605063	SND
			C 222	EMVY160ADA220ME55G	NCH	D 107	D2F605063	SND
			C 223	EMVY160ADA101MF55	NCH	D 108	HZM5R1NBTLE	RNES
			C 224	EMVL160ADA470MF60	NCH	D 109	1SS302TE85RF	TSB
			C 225	GRM40CH101J50PT	MUR	D 110	1SS302TE85RF	TSB
			C 226	GRM1882C1H180JA01	MUR	D 111	1SS302TE85RF	TSB
			C 227	GRM21BB11H104KA01	MUR	D 112	PG1102WTR	STL
			C 228	EMVY160ADA101MF55	NCH	D 113	PG1102WTR	STL
			C 229	GRM21BB11H104KA01	MUR	D 114	PG1102WTR	STL
			C 302	GRM40B103K50PT	MUR	D 115	HZM5R1NBTLE	RNES
			C 303	EMVL160ADA470MF60	NCH	D 116	D2F605063	SND
			C 304	GRM21BB11H104KA01	MUR	D 117	D2F605063	SND
			C 305	GRM2192C1H681JA01	MUR	D 118	D2F605063	SND
			C 306	GRM21BB11H104KA01	MUR	D 119	D2F605063	SND
			C 307	GRM21BB11H104KA01	MUR	D 201	1SS300TE85RF	TSB
			C 308	EKMG101ELL1R0ME11	NCH	D 202	1SS302TE85RF	TSB
			C 401	EMVL350ADA100ME60G	NCH	D 203	1SS302TE85RF	TSB
			C 402	ELXZ350ELL471MJ20	NCH	D 204	1SS301TE85RF	TSB
			C 403	GRM40B103K50PT	MUR	D 205	1SS294TE85RF	TSB
			C 404	GRM40B103K50PT	MUR	D 206	HZM6R2NBTLE	RNES
			C 406	EMVL160ADA470MF60	NCH	D 207	1SS301TE85RF	TSB
			C 407	ELXZ500ELL101MH12	NCH	D 208	1SS301TE85RF	TSB
			C 408	ELXZ500ELL101MH12	NCH	D 301	1SS302TE85RF	TSB
			C 409	ECQE2104JF3	MAT	D 302	1SS301TE85RF	TSB
			C 410	ELXZ350ELL471MJ20	NCH	D 303	AA1102WTR	STL
			C 601	EKMG161ELL100MJC5	NCH	D 304	1SS302TE85RF	TSB
			C 602	GRM21BB11H104KA01	MUR	D 305	1SS301TE85RF	TSB
			C 603	ECQE2104JF3	MAT	D 306	AA1102WTR	STL
			C 604	GRM21BB11H104KA01	MUR	D 307	1SS301TE85RF	TSB
			C 605	MPE0800J222	NSD			
			C 606	HM60SJYB471K	MITM			

SYMBOL	PARTS CODE	MFD.	SYMBOL	PARTS CODE	MFD.	SYMBOL	PARTS CODE	MFD.
D 308	AA1102WTR	STL	R 114	RGC1/10C103DTP	KMY	R 409	RGC1/10C272DTP	KMY
D 401	DFH10TG	SYO	R 115	RGC1/10C103DTP	KMY	R 410	MOSX1C2R2J	KOA
D 402	DFH10TG	SYO	R 116	RGC1/10C220DTP	KMY	R 411	MOSX1C2R2J	KOA
D 601	HZM2R0NBTL	RNES	R 117	RGC1/10C220DTP	KMY	R 412	CFS1/2CT26221J	KOA
D 602	1SS300TE85RF	TSB	R 118	RGC1/10C220DTP	KMY	R 413	MOSX2C1R5J	KOA
D 603	DFH10TG	SYO	R 119	RGC1/10C220DTP	KMY	R 601	RMC1/10JPTP	KMY
D 604	1SS302TE85RF	TSB	R 120	RMC1100FTE	KMY	R 603	RGC1/10C103DTP	KMY
D 605	1SS300TE85RF	TSB	R 121	RMC1100FTE	KMY	R 604	RGC1/10C103DTP	KMY
D 606	1SS82TAE	HIT	R 122	RGC1/10C392DTP	KMY	R 605	RGC1/10C103DTP	KMY
D 607	1SS82TAE	HIT	R 123	RGC1/10C103DTP	KMY	R 606	RGC1/10C103DTP	KMY
D 608	1SS82TAE	HIT	R 124	RGC1/10C332DTP	KMY	R 607	RGC1/10C103DTP	KMY
D 609	HZ242TDE	RNES	R 125	RGC1/10C103DTP	KMY	R 608	RMC1103FTE	KMY
D 612	5VUZ52F	TSB	R 126	RMC1/10104FTP	KMY	R 609	RGC1/10C332DTP	KMY
D 613	1SS300TE85RF	TSB	R 127	RGC1/10C103DTP	KMY	R 610	RGC1/10C103DTP	KMY
D 614	DFH10TG	SYO	R 128	RMC1100FTE	KMY	R 611	RGC1/10C823DTP	KMY
D 615	DFH10TG	SYO	R 129	RMC1/10JPTP	KMY	R 612	RGC1/10C823DTP	KMY
D 616	1SS301TE85RF	TSB	R 201	RGC1/10C152DTP	KMY	R 613	RGC1/10C823DTP	KMY
D 617	DFH10TG	SYO	R 202	RGC1/10C101DTP	KMY	R 614	MOS1C101J	KOA
D 618	D2F605063	SND	R 203	RGC1/10C101DTP	KMY	R 615	MOS1C101J	KOA
D 619	D2F605063	SND	R 204	RGC1/10C102DTP	KMY	R 616	RMC1104FTE	KMY
D 620	1SS301TE85RF	TSB	R 205	RGC1/10C102DTP	KMY	R 617	RMC1104FTE	KMY
D 621	1SS300TE85RF	TSB	R 206	RGC1/10C101DTP	KMY	R 618	RGC1/10C221DTP	KMY
D 622	1SS300TE85RF	TSB	R 207	RGC1/10C101DTP	KMY	R 619	RMC1/10JPTP	KMY
D 623	1SS301TE85RF	TSB	R 208	RGC1/10C101DTP	KMY	R 620	RGC1/10C103DTP	KMY
< CONNECTORS >			R 209	RGC1/10C332DTP	KMY	R 621	RMC1102FTE	KMY
EL 101	009067033000806-A	ELC	R 210	RGC1/10C332DTP	KMY	R 622	RGC1/10C220DTP	KMY
EL 101	009067020000807-A	ELC	R 211	RGC1/10C223DTP	KMY	R 623	RGC1/10C220DTP	KMY
< INTEGRATED CIRCUITS >			R 212	RGC1/10C332DTP	KMY	R 624	RGC1/10C220DTP	KMY
IC 101	NJM7812FASHPZZZB	SJRC	R 213	RGC1/10C102DTP	KMY	R 625	RGC1/10C220DTP	KMY
IC 102	NJM7912FASHPZZZB	SJRC	R 214	RGC1/10C561DTP	KMY	R 626	RGC1/10C103DTP	KMY
IC 103	NJM7805FASHPZZZB	SJRC	R 215	RGC1/10C512DTP	KMY	R 627	RGC1/10C472DTP	KMY
IC 104	NJU3718GTE1SHPZZZ	SJRC	R 216	RGC1/10C221DTP	KMY	R 628	RMC1/10154FTP	KMY
IC 105	NJM4558MTE1SHPZZZ	SJRC	R 217	RGC1/10C221DTP	KMY	R 629	RGC1/10C101DTP	KMY
IC 106	NJM4558MTE1SHPZZZ	SJRC	R 218	RGC1/10C272DTP	KMY	R 630	RGC1/10C103DTP	KMY
IC 201	TDA4856V6	PHI	R 219	RGC1/10C622DTP	KMY	R 632	RGC1/10C103DTP	KMY
IC 202	UPC393G2E2A	NEC	R 220	RMC1100FTE	KMY	R 633	MOS1C471J	KOA
IC 203	SN74AHC1GU04DBVR	TEX	R 221	RGC1/10C472DTP	KMY	R 634	RGC1/10C472DTP	KMY
IC 204	TL7700CPSETAPL	TEX	R 222	RGC1/10C101DTP	KMY	R 635	CFS1/2CT26473J	KOA
IC 205	TL431CLPRE3	TEX	R 223	RGC1/10C220DTP	KMY	R 646	CFS1/2CT26100J	KOA
IC 301	TC74HC123AFELNEF	TSB	R 224	RGC1/10C220DTP	KMY	R 647	RGC1/10C103DTP	KMY
IC 302	TL082CPSETAPL	TEX	R 225	RMC1/10224FTP	KMY	R 649	RGC1/10C682DTP	KMY
IC 401	LA7876NE	SYO	R 226	RGC1/10C333DTP	KMY	R 650	MOSX1C1R0J	KOA
IC 402	TC4W53FUTE12LF	TSB	R 227	RGC1/10C222DTP	KMY	R 653	RGC1/10C103DTP	KMY
IC 601	TL082CPSETAPL	TEX	R 228	RGC1/10C332DTP	KMY	R 654	RGC1/10C103DTP	KMY
IC 602	NJM2904MTE1SHPZZZ	SJRC	R 229	RGC1/10C103DTP	KMY	R 656	RGC1/10C333DTP	KMY
IC 604	TC74HC123AFELNEF	TSB	R 230	RGC1/10C472DTP	KMY	R 657	RGC1/10C103DTP	KMY
IC 605	TC4W53FUTE12LF	TSB	R 231	RGC1/10C101DTP	KMY	R 658	RGC1/10C101DTP	KMY
< COILS >			R 232	RGC1/10C103DTP	KMY	R 660	RGC1/10C222DTP	KMY
L 101	TSL1112S101K1R4PF	TDK	R 233	RMC1/10JPTP	KMY	R 661	RGC1/10C103DTP	KMY
L 102	TSL1112S101K1R4PF	TDK	R 234	RMC1/10JPTP	KMY	R 662	RGC1/10C102DTP	KMY
L 103	TSL1112S101K1R4PF	TDK	R 235	RGC1/10C332DTP	KMY	R 664	MOS2C331J	KOA
L 601	90ST903228	TTE	R 301	RGC1/10C473DTP	KMY	R 665	RGC1/10C103DTP	KMY
L 604	90ST902865	TTE	R 302	RMC1/10104FTP	KMY	R 666	RGC1/10C103DTP	KMY
< RESISTORS >			R 303	RGC1/10C472DTP	KMY	R 667	RMC1/10334FTP	KMY
R 101	MOSX2C2R2J	KOA	R 304	RGC1/10C220DTP	KMY	R 668	RMC1/10334FTP	KMY
R 102	MOSX2C1R5J	KOA	R 305	RGC1/10C220DTP	KMY	R 669	RMC1/10334FTP	KMY
R 103	RMC1/10334FTP	KMY	R 306	RGC1/10C103DTP	KMY	R 670	RMC1/10334FTP	KMY
R 104	RGC1/10C102DTP	KMY	R 307	RGC1/10C103DTP	KMY	R 671	RGC1/10C103DTP	KMY
R 105	RGC1/10C102DTP	KMY	R 308	RMC1/10104FTP	KMY	R 672	RGC1/10C103DTP	KMY
R 106	RGC1/10C102DTP	KMY	R 309	RGC1/10C473DTP	KMY	R 673	RGC1/10C103DTP	KMY
R 107	RGC1/10C103DTP	KMY	R 310	RMC1/10684FTP	KMY	R 674	RGC1/10C103DTP	KMY
R 108	RGC1/10C102DTP	KMY	R 311	RGC1/10C472DTP	KMY	R 675	RMC1/10334FTP	KMY
R 109	RGC1/10C472DTP	KMY	R 312	RGC1/10C103DTP	KMY	R 676	RMC1/10334FTP	KMY
R 110	RGC1/10C472DTP	KMY	R 313	RGC1/10C333DTP	KMY	R 677	RGC1/10C103DTP	KMY
R 111	RGC1/10C472DTP	KMY	R 314	RGC1/10C473DTP	KMY	R 678	RGC1/10C103DTP	KMY
R 112	RGC1/10C152DTP	KMY	R 315	RGC1/10C103DTP	KMY	R 679	RGC1/10C103DTP	KMY
R 113	RGC1/10C203DTP	KMY	R 316	RGC1/10C472DTP	KMY	R 680	RGC1/10C103DTP	KMY
			R 401	RGC1/10C102DTP	KMY	R 681	CFS1/2CT52102J	KOA
			R 402	RGC1/10C102DTP	KMY	R 682	CFS1/2CT52102J	KOA
			R 403	RGC1/10C272DTP	KMY	R 683	MOS3C100J	KOA
			R 404	MOSX2C1R5J	KOA	R 684	RGC1/10C332DTP	KMY
			R 405	RGC1/10C183DTP	KMY	R 685	RGC1/10C222DTP	KMY
			R 406	RGC1/10C271DTP	KMY			
			R 407	RGC1/10C332DTP	KMY			
			R 408	RGC1/10C222DTP	KMY			

DEF BOPARD (1517R)

PP-906355

SYMBOL	PARTS CODE	MFD.	SYMBOL	PARTS CODE	MFD.	SYMBOL	PARTS CODE	MFD.
< RELAYS >			TR 621	UNR221100L	MEC	< CAPACITORS >		
RL 601	G2R1AEASIDC12V	OMR	TR 622	2SK2508F	TSB	C 618	EMVK160ADA471MJA0	NCH
RL 602	G2R1AEASIDC12V	OMR	TR 623	2SK2508F	TSB	C 619	EMVL160ADA100MD60	NCH
< TRANSFORMERS >			TR 624	2SK2508F	TSB	C 620	GRM40CH101J50PT	MUR
T 601	90ST9028431	TTE	TR 625	UNR221100L	MEC	C 621	GRM21BB11H104KA01	MUR
T 602	90ST902863	TTE	TR 626	UNR221100L	MEC	C 622	DKRG1800HP562JS1	SNEC
T 603	CT032	TDK	TR 627	2SD1264AP	MEC	C 624	DKRG1800HP472JS1	SNEC
< TEST POINTS >			TR 628	2SB940AP	MEC	C 636	GRM40CH471J50PT	MUR
TP 101	EYF6CU	MAT	< VARIABLE RESISTORS >			C 639	MPE0800J104	NSD
TP 102	EYF6CU	MAT	VR 601	ST4ETB503	CPL	C 640	MPE0800J104	NSD
TP 103	EYF6CU	MAT	VR 602	GF063UT2B2K	COS	C 641	MPE0250J105	NSD
TP 104	EYF6CU	MAT	< DIODES >			C 642	MPE0250J105	NSD
TP 105	EYF6CU	MAT				C 643	MPE0250J105	NSD
TP 106	EYF6CU	MAT				C 644	MPE0250J334	NSD
TP 201	EYF6CU	MAT				C 649	MPE0250J154	NSD
TP 202	EYF6CU	MAT				C 650	MPE0400J224	NSD
TP 203	EYF6CU	MAT				< INTEGRATED CIRCUITS >		
TP 204	EYF6CU	MAT				IC 603	TL7700CPSETAPL	TEX
TP 205	EYF6CU	MAT				< COILS >		
TP 206	EYF6CU	MAT				L 602	90ST902866	TTE
TP 207	EYF6CU	MAT				L 603	90ST903261	TTE
TP 208	EYF6CU	MAT				< RESISTORS >		
TP 209	EYF6CU	MAT				R 130	RGC1/10C222DTP	KMY
TP 210	EYF6CU	MAT				R 131	RGC1/10C392DTP	KMY
TP 211	EYF6CU	MAT				R 636	MOSX3C1R0J	KOA
TP 301	EYF6CU	MAT				R 637	RMC1102FTE	KMY
TP 401	EYF6CU	MAT				R 638	RGC1/10C222DTP	KMY
TP 501	EYF6CU	MAT				R 639	RGC1/10C222DTP	KMY
TP 601	EYF6CU	MAT				R 640	RGC1/10C222DTP	KMY
TP 602	EYF6CU	MAT				R 642	RMC1/10JPTP	KMY
TP 603	EYF6CU	MAT				R 643	RMC1/10104FTP	KMY
TP 604	EYF6CU	MAT				R 645	RMC1/10JPTP	KMY
TP 605	EYF6CU	MAT				R 655	RGC1/10C222DTP	KMY
TP 606	EYF6CU	MAT				R 663	RGC1/10C682DTP	KMY
< TRANSISTORS >						< TRANSISTORS >		
TR 101	2SA812M6T1BA	NEC	TR 607	UNR221100L	MEC			
TR 102	UNR221100L	MEC	TR 608	2SK1342E	RNES			
TR 103	UNR221100L	MEC						
TR 104	UNR221100L	MEC						
TR 105	2SD1264AP	MEC						
TR 106	2SB940AQ	MEC						
TR 201	XN4601TX	MEC						
TR 202	UNR221100L	MEC						
TR 203	2SC1623T1BAL6L7	NEC						
TR 204	XN4601TX	MEC						
TR 205	UNR221100L	MEC						
TR 206	UNR221100L	MEC						
TR 301	UNR221100L	MEC						
TR 302	UNR221100L	MEC						
TR 303	UNR211100L	MEC						
TR 304	2SC1623T1BAL6L7	NEC						
TR 305	UNR221100L	MEC						
TR 601	2SD1264AP	MEC						
TR 602	2SC3631ZE1AZK	NEC						
TR 603	2SK2952Q	TSB						
TR 604	2SC1623T1BAL6L7	NEC						
TR 605	2SK209901L	FJE						
TR 606	2SK2837Q	TSB						
TR 609	2SC5144F	TSB						
TR 610	2SC1623T1BAL6L7	NEC						
TR 613	UNR221100L	MEC						
TR 614	UNR221100L	MEC						
TR 615	UNR221100L	MEC						
TR 616	UNR221100L	MEC						
TR 617	2SK2508F	TSB						
TR 618	2SK2508F	TSB						
TR 619	2SK2508F	TSB						
TR 620	UNR221100L	MEC						

HV BOARD (1517)

1-N64056/1-N64057

SYMBOL	PARTS CODE	MFD.
< CAPACITORS >		
C 1	EKMG630ETC100ME11D	NCH
C 2	MPE1600J182	NSD
C 3	MPE1600J182	NSD
C 4	MPE0250J103	NSD
C 5	EKXG161ELL680MK20S	NCH
C 6	MMH 0250K 225	NSD
C 7	EKMG630ETC100ME11D	NCH
C 8	EKMG101ELL4R7ME11D	NCH
C 12	ECQV 1H 104JL3	MAT
C 13	ECQV 1H 104JL3	MAT
C 14	ECQV 1H 104JL3	MAT
C 15	ECQV 1H 154JL3	MAT

< CONNECTORS >

CN208	DF1BZ-8P-2.5DSA	HRS
-------	-----------------	-----

< DIODES >

D 1	FMG-G3CS	SKN
D 2	FMG-G3CS	SKN
D 3	D2L40-7060	SND
D 4	D2L40-7060	SND
D 5	1SS133T-77	ROM
D 6	1SS133T-77	ROM
D 7	1SS133T-77	ROM
D 8	1SS133T-77	ROM
D 13	1SS133T-77	ROM
D 17	D1NL40-5070	SND
D 18	HZS15TD-E	RNES

< HV CIRCUITS >

IC 1	MSPAD402	MUR
------	----------	-----

< COILS >

L 1	TSL0709S-101KR66-PF	TDK
L 2	TSL1112S-100M3R7-PF	TDK
L 3	TSL1112S-101K1R4-PF	TDK

< RESISTORS >

R 1	MOSX3CL20AR22J	KOA
R 2	MOS2CL15A331J	KOA
R 3	CFS1/2C T26 124J	KOA
R 4	CFS1/4C T26 103J	KOA
R 5	CFS1/4C T26 224J	KOA
R 6	CFS1/4C T26 334J	KOA
R 7	CFS1/4C T26 103J	KOA
R 8	CFS1/4C T26 334J	KOA
R 9	CFS1/4C T26 334J	KOA
R 21	CFS1/4C T26 102J	KOA
R 22	CFS1/2C T26 101J	KOA
R 26	CFS1/4C T26 562J	KOA
R 27	CFS1/4C T26 103J	KOA
R 28	CFS1/4C T26 223J	KOA
R 29	CFS1/4C T26 473J	KOA
R 30	CFS1/4C T26 101J	KOA
R 31	CFS1/4C T26 330J	KOA
R 32	CFS1/4C T26 472J	KOA

< TRANSFORMERS >

T 1	ST-902822	MUR
-----	-----------	-----

< TRANSISTORSS >

TR 1	2SK1120(F)	TSB
TR 5	BA1L4M-T-A	NEC
TR 6	BA1L4M-T-A	NEC
TR 7	2SC1384-R 2SC13840R	MEC
TR 8	2SA684-R 2SA06840R	MEC

POWER USA BOARD

1-N64012/1-N64013

SYMBOL	PARTS CODE	MFD.
< VARIABLE RESISTORS >		
VR 1	CT6ETH 100KΩ (104)	CPL
VR 2	CT6ETH 100KΩ (104)	CPL
< OTHERS >		
SK 1	GD-626 1.5KV ±20%	NHD

< CAPACITORS >

C 1	EKMG101ELL101MJ20S	NCH
C 2	EKMG500ETC100ME11D	NCH
C 3	ECQU 2A 474ML	MAT
C 4	ECQU 2A 474ML	MAT
C 5	ECKDNA222ME	MAT
C 6	ECKDNA222ME	MAT
C 7	ECKDNA222ME	MAT
C 8	MMH 0400K 473	NSD
C 9	ECQV 1 473 JM3	MAT
C 10A	EKMM201VSN102MR35S	NCH
C 10B	EKMM201VSN102MR35S	NCH
C 11	MMH 0400K 473	NSD
C 12	ECQV 1 473 JM3	MAT
C 13	EKMG401ELL4R7MJ16S	NCH
C 14	EKMG500ETC1R0ME11D	NCH
C 15	EKMG401ELL4R7MJ16S	NCH
C 16	EKMG500ETC1R0ME11D	NCH
C 25	MMH 0400K 473	NSD
C 26	ECKA3D182KBP	MAT
C 27	EKMG250ETC101MF11D	NCH
C 28	ECQV 1H 104JL3	MAT
C 29	RT-HE40 TKSL 680K	MITM
C 30A	ELXV350ELL221MH20D	NCH
C 31	ECQB 1H 472KF3	MAT
C 32	ELXV101ELL101MJ30S	NCH
C 33	EKMG251ELL100MJ16S	NCH
C 34	EKMG251ELL100MJ16S	NCH
C 35	EKXG201ELL331MMP1S	NCH
C 36	ECQE 2 473JF3	MAT
C 38A	ELXV160ELL222MK30S	NCH
C 38B	ELXV160ELL222MK30S	NCH
C 39	ELXV160ELL122MJ30S	NCH
C 40	ECQB 1H 103JF3	MAT
C 41A	ELXV250ELL222MK40S	NCH
C 41B	ELXV250ELL222MK40S	NCH
C 42	ELXV250ELL821MJ30S	NCH
C 43	ELXV250ELL222MK40S	NCH
C 44	ELXV250ELL821MJ30S	NCH
C 45	MPE0630J104	NSD
C 46	ECQV 1H 104JL3	MAT
C 47	ELXV350ELL820MF15D	NCH
C 48	ECQV 1H 104JL3	MAT
C 49	ECQB 1H 103JF3	MAT
C 51	ECQV 1H 104JL3	MAT
C 52	ECQV 1H 104JL3	MAT
C 53	MMH 0400K 473	NSD
C 54	EKXG201ELL331MMP1S	NCH
C 55	ECQB 1H 103JF3	MAT
C 56	ECQB 1H 103JF3	MAT
C 57	ECQV 1H 104JL3	MAT
C 58	ECQE 2 223KF	MAT
C 60	ECQE 2 104JF3	MAT
C 61	EKMG250ETC101MF11D	NCH

< CONNECTORS >

CN 101	03ME3D(M)	DLTD
CN 206	DF1BZ-16DP-2.5DSA	HRS
CN 207	DF1BZ-22DP-2.5DSA	HRS
CN 911	DF1BZ-4P-2.5DSA	HRS
CN 921	350428-1	AMP

< DIODES >

D 1	S1WB(A)20-7101	SND
D 2	RD12FB-AZ	NEC
D 3	D1N60-5060	SND
D 4	D1N60-5060	SND
D 5	D1N60-5060	SND
D 6	S10VB60-5000	SND
D 7	D1N60-5060	SND
D 8	D1N60-5060	SND
D 11	D1N60-5060	SND

POWER EUR BOARD

1-N64014/1-N64015

SYMBOL	PARTS CODE	MFD.	SYMBOL	PARTS CODE	MFD.	SYMBOL	PARTS CODE	MFD.
D 12	D1N60-5060	SND	R 50	CFS1/2C T26 750J	KOA	< CAPACITORS >		
D 13	1NU41 Q	TSB	R 51	CFS1/2C T26 750J	KOA	C 1	EKMG101ELL101MJ20S	NCH
D 14	1NU41 Q	TSB	R 52	CFS1/4C T26 102J	KOA	C 2	EKMG500ETC100ME11D	NCH
D 17	D1NL20U-5060	SND	R 53	CFS1/4C T26 473J	KOA	C 3	ECQU 2A 474ML	MAT
D 18	D1NL20U-5060	SND	R 54	CFS1/2C T26 101J	KOA	C 4	ECQU 2A 474ML	MAT
D 19	S2L60-5000	SND	R 55	MPC70 0.47ΩK	FFD	C 5	ECKDNA222ME	MAT
D 20	FMC-G28S	SKN	R 56	CFS1/2C T26 471J	KOA	C 6	ECKDNA222ME	MAT
D 21	SF10SC9-7100	SND	R 57A	CFS1/4C T26 104J	KOA	C 7	ECKDNA222ME	MAT
D 22	SF10LC20U-7100	SND	R 58	CFS1/4C T26 151J	KOA	C 8	FTACD631V474JHLGZ0	NCH
D 23	D10LC20UR-7100	SND	R 59	CFS1/4C T26 101J	KOA	C 9	FTACD631V474JHLGZ0	NCH
D 24	1NU41 Q	TSB	R 60	CFS1/4C T26 330J	KOA	C 10	EKMM451VSN391MA40S	NCH
D 25	SF8L60USM-7100	SND	R 61	CFS1/4C T26 473J	KOA	C 11	MMH 0400K 473	NSD
D 26	HZS5A1TD-E	HIT	R 62	SPR2CL15A 184J	KOA	C 12	ECQV 1 473 JM3	MAT
< FUSES >			R 63	SPR2CL15A 184J	KOA	C 13	EKMG401ELL4R7MJ16S	NCH
F 101	50T 040H	HLND	R 65	CFS1/4C T26 154J	KOA	C 14	EKMG500ETC1R0ME11D	NCH
< FILTERS >			R 66	CFS1/4C T26 332J	KOA	C 15	ECQB 1H 103JF3	MAT
FL 1	LFZ35V09	DLTD	R 67	CFS1/4C T26 222J	KOA	C 16	ECQP 1H 471JZ3	MAT
< INTEGRATED CIRCUITS >			R 68	CFS1/4C T26 102J	KOA	C 17	ECQV 1H 104JL3	MAT
IC 1	STR-83145	SKN	R 69	CFS1/4C T26 154J	KOA	C 19	ECQV 1H 155JL3	MAT
IC 2	STR-83145	SKN	R 70	CFS1/4C T26 332J	KOA	C 20	HE50 SJSL 101J	MITM
IC 3	MR2940-7109F12	SND	R 71	CFS1/4C T26 152J	KOA	C 21	ECQB 1H 102JF3	MAT
IC 4	PC123FY2J00F	SRP	R 72	CFS1/4C T26 102J	KOA	C 22	ECQV 1H 224JL3	MAT
IC 5	AN1431T-TA	MEC	R 74	CFS1/4C T26 224J	KOA	C 23	ECQB 1H 223KF	MAT
IC 6	FA5510P-D1	FJE	R 75	CFS1/4C T26 152J	KOA	C 25	MMH 0400K 473	NSD
IC 7	PC123FY2J00F	SRP	R 76	MOS3CL20A 470J	KOA	C 26	ECKA3D182KBP	MAT
IC 8	PC123FY2J00F	SRP	R 77	CFS1/4C T26 103J	KOA	C 27	EKMG250ETC101MF11D	NCH
IC 9	PC123FY2J00F	SRP	R 78	CFS1/4C T26 103J	KOA	C 28	ECQV 1H 104JL3	MAT
IC 10	AN1431T-TA	MEC	R 79	CFS1/4C T26 473J	KOA	C 29	RT-HE40 TKSL 680K	MITM
IC 11	AN1431T-TA	MEC	R 80	CFS1/4C T26 153J	KOA	C 30A	ELXV350ELL221MH20D	NCH
IC 12	AN1431T-TA	MEC	TH 1	PTDAA1BF140M200	MUR	C 30B	ELXV350ELL820MF15D	NCH
< COILS >			TH 2	PTDAA1BF5R0M100	MUR	C 31	ECQB 1H 472KF3	MAT
L 3	J1/6ZCT26	KOA	< RELAYS >			C 32	ELXV101ELL101MJ30S	NCH
L 4	TSL1112S-101K1R4-PF	TDK	RL 1	ALK3213	MAD	C 33	EKMG251ELL100MJ16S	NCH
L 5	ST4-N64076	TTE	RL 2	ALK3213	MAD	C 34	EKMG251ELL100MJ16S	NCH
L 8	TSL1112S-470K2R1-PF	TDK	RL 3	ALK3213	MAD	C 35	EKXG201ELL331MMP1S	NCH
L 11	TSL1112S-470K2R1-PF	TDK	< SWITCHES >			C 36	ECQE 2 473JF3	MAT
L 14	TSL1112S-470K2R1-PF	TDK	S 101	AAPY2211	MAD	C 38A	ELXV160ELL222MK30S	NCH
< RESISTORS >			< TRANSFORMERS >			C 38B	ELXV160ELL222MK30S	NCH
R 1	CFS1/4C T26 223J	KOA	T 1	ST4-N18059-3	YKTD	C 39	ELXV160ELL122MJ30S	NCH
R 2	CFS1/2C T26 472J	KOA	T 2	ST4-N51064-01	TTE	C 40	ECQB 1H 103JF3	MAT
R 3	CFS1/2C T26 394J	KOA	T 3	ST4-N51063	TTE	C 41A	ELXV250ELL222MK40S	NCH
R 4	MEG05N120JU142	MCR	< TEST POINTS >			C 41B	ELXV250ELL222MK40S	NCH
R 5	CFS1/2C T26 244J	KOA	TP 1	IPS-1163A	IRS	C 42	ELXV250ELL821MJ30S	NCH
R 6	CFS1/2C T26 244J	KOA	TP 2	IPS-1163A	IRS	C 43	ELXV250ELL222MK40S	NCH
R 7	RF2CL20A 100J	KOA	TP 3	IPS-1163A	IRS	C 44	ELXV250ELL821MJ30S	NCH
R 8	RF50CL12.5A 4R7J	KOA	TP 4	IPS-1163A	IRS	C 45	MPE0630J104	NSD
R 9	RF50CL12.5A 100J	KOA	TP 5	IPS-1163A	IRS	C 46	ECQV 1H 104JL3	MAT
R 10	RF2CL20A 100J	KOA	TP 6	IPS-1163A	IRS	C 47	ELXV350ELL820MF15D	NCH
R 11	RF50CL12.5A 4R7J	KOA	TP 7	IPS-1163A	IRS	C 48	ECQV 1H 104JL3	MAT
R 12	RF50CL12.5A 100J	KOA	< TRANSISTORS >			C 49	ECQB 1H 103JF3	MAT
R 31	MOS2C L15A 104J	KOA	TR 1	2SD1264-AP	MEC	C 51	ECQV 1H 104JL3	MAT
R 32	MOS2C L15A 104J	KOA	TR 4	2SD1407A-Y F	TSB	C 52	ECQV 1H 104JL3	MAT
R 33	MOSX3C L20A R47J	KOA	TR 5	BA1L4M-T-A	NEC	C 53	MMH 0400K 473	NSD
R 34	MPC70 0.1ΩK	FFD	TR 6	BA1L4M-T-A	NEC	C 54	EKXG201ELL331MMP1S	NCH
R 36	J1/6ZCT26	KOA	TR 7	2SD25980RA	MEC	C 55	ECQB 1H 103JF3	MAT
R 37	CFS1/4C T26 223J	KOA	TR 8	2SK2611 F	TSB	C 56	ECQB 1H 103JF3	MAT
R 39	CFS1/4C T26 223J	KOA	< VARIABLE RESISTORS >			C 57	ECQV 1H 104JL3	MAT
R 40	CFS1/4C T26 221J	KOA	VR 1	CT6ETV 20KΩ	CPL	C 58	ECQE 2 223KF	MAT
R 42	CFS1/4C T26 472J	KOA	< CONNECTORS >			C 60	ECQE 2 104JF3	MAT
R 44	J1/6ZCT26	KOA	CN 101	03ME3D(M)	DLTD	C 61	EKMG250ETC101MF11D	NCH
R 45	CFS1/4C T26 222J	KOA	CN 206	DF1BZ-16DP-2.5DSA	HRS	< DIODES >		
R 46	CFS1/4C T26 102J	KOA	CN 207	DF1BZ-22DP-2.5DSA	HRS	D 1	S1WB(A)20-7101	SND
R 47	CFS1/4C T26 473J	KOA	CN 911	DF1BZ-4P-2.5DSA	HRS	D 2	RD12FB-AZ	NEC
R 48	CFS1/4C T26 473J	KOA	CN 921	350428-1	AMP	D 3	D1N60-5060	SND
R 49	CFS1/4C T26 222J	KOA	< DIODES >					

SYMBOL	PARTS CODE	MFD.	SYMBOL	PARTS CODE	MFD.	SYMBOL	PARTS CODE	MFD.
D 4	D1N60-5060	SND	R 17	MFS1/4CC 3302F	KOA	T 2	ST4-N51064-01	TTE
D 5	D1N60-5060	SND	R 18	CFS1/4C T26 103J	KOA	T 3	ST4-N51063	TTE
D 6	S10VB60-5000	SND	R 19	CFS1/4C T26 105J	KOA			
D 7	D1NS4-5060	SND	R 20	CFS1/4C T26 474J	KOA	< TEST POINTS >		
D 8	D1NS4-5060	SND	R 21	CFS1/4C T26 223J	KOA			
D 9	SF8L60USM-7100	SND	R 22	MF1/2CCT52A 2203F	KOA	TP 1	IPS-1163A	IRS
D 10	SF8L60USM-7100	SND	R 23	MF1/2CCT52A 2203F	KOA	TP 2	IPS-1163A	IRS
D 11	D1N60-5060	SND	R 24	MFS1/4CCT26A 1003F	KOA	TP 3	IPS-1163A	IRS
D 12	D1N60-5060	SND	R 25	MFS1/4CCT26A 2201F	KOA	TP 4	IPS-1163A	IRS
D 13	1NU41 Q	TSB	R 26	MF1/2CCT52A 2203F	KOA	TP 5	IPS-1163A	IRS
D 14	1NU41 Q	TSB	R 27A	MFS1/4CCT26A 1203F	KOA	TP 6	IPS-1163A	IRS
D 17	D1NL20U-5060	SND	R 27B	MF1/2CCT52A 2203F	KOA	TP 7	IPS-1163A	IRS
D 18	D1NL20U-5060	SND	R 28	MFS1/4CCT26A 2201F	KOA			
D 19	S2L60-5000	SND	R 29	CFS1/4C T26 223J	KOA	< TRANSISTORS >		
D 20	FMC-G28S	SKN	R 30	CFS1/4C T26 223J	KOA			
D 21	SF10SC9-7100	SND	R 31	MOS2C L15A 104J	KOA	TR 1	2SD1264-AP	MEC
D 22	SF10LC20U-7100	SND	R 32	MOS2C L15A 104J	KOA	TR 2	2SK2698 F	TSB
D 23	D10LC20UR-7100	SND	R 33	MOSX3C L20A R47J	KOA	TR 3	2SK2698 F	TSB
D 24	1NU41 Q	TSB	R 34	MPC70 0.1ΩK	FFD	TR 4	2SD1407A-Y F	TSB
D 25	SF8L60USM-7100	SND	R 36	J1/6ZCT26	KOA	TR 5	BA1L4M-T-A	NEC
D 26	HZS5A1TD-E	HIT	R 37	CFS1/4C T26 223J	KOA	TR 6	BA1L4M-T-A	NEC
< FUSES >			R 39	CFS1/4C T26 223J	KOA	TR 7	2SD25980RA	MEC
F 101	50T 040H	HLND	R 40	CFS1/4C T26 221J	KOA	TR 8	2SK2611 F	TSB
< FILTERS >			R 42	CFS1/4C T26 472J	KOA			
FL 1	ELF-18D8501	MAT	R 44	J1/6ZCT26	KOA	< VARIABLE RESISTORS >		
< INTEGRATED CIRCUITS >			R 45	CFS1/4C T26 222J	KOA			
IC 1	STR-83145	SKN	R 46	CFS1/4C T26 102J	KOA	VR 1	CT6ETV 20KΩ	CPL
IC 2	FA5502P	FJE	R 47	CFS1/4C T26 473J	KOA			
IC 3	MR2940-7109F12	SND	R 48	CFS1/4C T26 473J	KOA			
IC 4	PC123FY2J00F	SRP	R 49	CFS1/4C T26 222J	KOA			
IC 5	AN1431T-TA	MEC	R 50	CFS1/2C T26 750J	KOA			
IC 6	FA5510P-D1	FJE	R 51	CFS1/2C T26 750J	KOA			
IC 7	PC123FY2J00F	SRP	R 52	CFS1/4C T26 102J	KOA			
IC 8	PC123FY2J00F	SRP	R 53	CFS1/4C T26 473J	KOA			
IC 9	PC123FY2J00F	SRP	R 54	CFS1/2C T26 101J	KOA			
IC 10	AN1431T-TA	MEC	R 55	MPC70 0.47ΩK	FFD			
IC 11	AN1431T-TA	MEC	R 56	CFS1/2C T26 471J	KOA			
IC 12	AN1431T-TA	MEC	R 57A	CFS1/4C T26 104J	KOA			
< COILS >			R 58	CFS1/4C T26 151J	KOA			
L 1	ST4-N18121	TTE	R 59	CFS1/4C T26 101J	KOA			
L 2	ST4-N18121	TTE	R 60	CFS1/4C T26 330J	KOA			
L 3	J1/6ZCT26	KOA	R 61	CFS1/4C T26 473J	KOA			
L 4	TSL1112S-101K1R4-PF	TDK	R 62	SPR2CL15A 184J	KOA			
L 5	ST4-N64076	TTE	R 63	SPR2CL15A 184J	KOA			
L 8	TSL1112S-470K2R1-PF	TDK	R 65	CFS1/4C T26 154J	KOA			
L 11	TSL1112S-470K2R1-PF	TDK	R 66	CFS1/4C T26 332J	KOA			
L 14	TSL1112S-470K2R1-PF	TDK	R 67	CFS1/4C T26 222J	KOA			
< RESISTORS >			R 68	CFS1/4C T26 102J	KOA			
R 1	CFS1/4C T26 223J	KOA	R 69	CFS1/4C T26 154J	KOA			
R 2	CFS1/2C T26 472J	KOA	R 70	CFS1/4C T26 332J	KOA			
R 3	CFS1/2C T26 394J	KOA	R 71	CFS1/4C T26 152J	KOA			
R 4	MEG05N120JU142	MCR	R 72	CFS1/4C T26 102J	KOA			
R 5	MOS1CL12.5A 470J	KOA	R 73	CFS1/4C T26 222J	KOA			
R 6	MOS1/2CL10A 102J	KOA	R 74	CFS1/4C T26 224J	KOA			
R 7	MOS1CL12.5A 470J	KOA	R 75	CFS1/4C T26 152J	KOA			
R 8	MOS1/2CL10A 102J	KOA	R 76	MOS3CL20A 470J	KOA			
R 9	MPC71 0.18ΩK	FFD	R 77	CFS1/4C T26 103J	KOA			
R 10	RF2CL20A 100J	KOA	R 78	CFS1/4C T26 103J	KOA			
R 11	RF50CL12.5A 4R7J	KOA	R 79	CFS1/4C T26 473J	KOA			
R 12	RF50CL12.5A 100J	KOA	R 80	CFS1/4C T26 153J	KOA			
R 13A	MFS1/4CCT26A 1203F	KOA	TH 1	PTDAA1BF140M200	MUR			
R 13B	MFS1/4CCT26A 1003F	KOA	TH 2	PTDAA1BF5R0M100	MUR			
R 14	MFS1/4CCT26A 1503F	KOA	< RELAYS >					
R 15	MFS1/4CCT26A 2201F	KOA	RL 2	ALK3213	MAD			
R 16	CFS1/4C T26 220J	KOA	RL 3	ALK3213	MAD			
< SWITCHES >			< TRANSFORMERS >					
			S 101	AAPY2211	MAD			
			T 1	ST4-N18059-3	YKTD			

FRONT PANEL BOARD (COMMON)
PP-906528

FRONT LEFT BOARD (COMMON)
PP-906526

CONTROL BOARD (1517R)
PP-906530

SYMBOL	PARTS CODE	MFD.	SYMBOL	PARTS CODE	MFD.	SYMBOL	PARTS CODE	MFD.
< CONNECTORS >			< CAPACITORS >			< CAPACITORS >		
CN 223	HIF3FC34PA2R54DSA-A	HRS	C 1	GRM188B11E104KA01	MUR	C 1	EMVY160ADA101MF55	NCH
			C 2	GRM188B11E104KA01	MUR	C 2	GRM188B11E104KA01	MUR
< DIODES >			< CONNECTORS >			< CAPACITORS >		
D 1	SLC22MG	ROM	CN 922	DF1BZ4P2R5DSA	HRS	C 3	EMVY160ADA101MF55	NCH
D 1	LH510	SNGS	CN 935	DF1BZ10P2R5DSA	HRS	C 4	GRM188B11E104KA01	MUR
D 2	SLC22MG	ROM	< DIODES >			C 5	EMVY160ADA101MF55	NCH
D 2	LH510	SNGS	D 1	SLC22VR	ROM	C 6	EMVL160ADA470MF60	NCH
D 3	SLC22MG	ROM	D 1	LH510	SNGS	C 7	GRM188B11E104KA01	MUR
D 3	LH510	SNGS	D 2	SLC22VR	ROM	C 8	GRM188B11E104KA01	MUR
D 4	SLC22MG	ROM	D 2	LH510	SNGS	C 9	EMVL160ADA470MF60	NCH
D 4	LH510	SNGS	D 3	SLC22MG	ROM	C 10	GRM188B11E104KA01	MUR
D 5	SLC22MG	ROM	D 3	LH510	SNGS	C 11	GRM188B11E104KA01	MUR
D 5	LH510	SNGS	< INTEGRATED CIRCUITS >			C 12	GRM188B11E104KA01	MUR
D 6	SLC22MG	ROM	IC 2	NJM78L05UATE1SHPZ	SJRC	C 13	GRM188B11E104KA01	MUR
D 6	LH510	SNGS	< RESISTORS >			C 14	GRM188B11E104KA01	MUR
D 7	SLC22MG	ROM	R 1	RGC1/10C221DTP	KMY	C 15	GRM188B11E104KA01	MUR
D 7	LH510	SNGS	R 2	RGC1/10C331DTP	KMY	C 16	GRM188B11E104KA01	MUR
D 8	SLC22MG	ROM	R 3	RGC1/10C152DTP	KMY	C 17	GRM188B11E104KA01	MUR
D 8	LH510	SNGS	R 4	RGC1/10C681DTP	KMY	C 18	GRM188B11E104KA01	MUR
D 9	SLC22MG	ROM	R 5	RGC1/10C122DTP	KMY	C 19	GRM188B11E104KA01	MUR
D 9	LH510	SNGS	R 6	RGC1/10C122DTP	KMY	C 20	GRM188B11E104KA01	MUR
D 10	SLC22MG	ROM	R 7	RGC1/10C821DTP	KMY	C 21	GRM188B11E104KA01	MUR
D 10	LH510	SNGS	R 8	RGC1/10C152DTP	KMY	< CONNECTORS >		
D 11	SLC22MG	ROM	R 9	RGC1/10C101DTP	KMY	CN 219	HIF3BA40PA2R54DS7	HRS
D 11	LH510	SNGS	R 10	RGC1/10C101DTP	KMY	CN 220	A3B10PA2DSA71	HRS
D 12	SLC22MG	ROM	R 11	RGC1/10C101DTP	KMY	CN 221	90C4N59046	SKR
D 12	LH510	SNGS	R 12	RGC1/10C151DTP	KMY	CN 920	TCS768801201	HOS
D 13	SLC22MG	ROM	< SWITCHES >			< DIODES >		
D 13	LH510	SNGS	S 1	DPL4200	FJS	D 1	1SS123A7T1BA	NEC
D 14	SLC22MG	ROM	S 1	MD8050103	FJS	D 2	1SS123A7T1BA	NEC
D 14	LH510	SNGS	S 1	MD0340162	FJS	D 3	1SS123A7T1BA	NEC
D 15	SLC22MG	ROM	S 2	DP4200	FJS	D 4	1SS123A7T1BA	NEC
D 15	LH510	SNGS	S 2	MD8050109	FJS	D 5	1SS123A7T1BA	NEC
D 16	SLC22YY	ROM	S 2	MD0340162	FJS	D 6	1SS123A7T1BA	NEC
D 16	LH510	SNGS	< TRANSISTORS >			D 7	1SS123A7T1BA	NEC
D 17	SLC22YY	ROM	TR 1	2SC4154T1111G	MIT	D 8	1SS123A7T1BA	NEC
D 17	LH510	SNGS	TR 2	2SC4154T1111G	MIT	D 9	1SS123A7T1BA	NEC
D 18	SLC22YY	ROM	< INTEGRATED CIRCUITS >			D 10	1SS123A7T1BA	NEC
D 18	LH510	SNGS	IC 1	TC74HC148AFF	TSB	D 11	1SS123A7T1BA	NEC
D 19	SLC22YY	ROM	IC 2	TC74HC148AFF	TSB	D 12	1SS123A7T1BA	NEC
D 19	LH510	SNGS	IC 3	SN74AHC367PWR	TEX	D 13	1SS181TE85LF	TSB
D 20	SLC22MG	ROM	IC 4	SN74LV138APWR	TEX	< COILS >		
D 20	LH510	SNGS	IC 5	SN74AHC367PWR	TEX	L 1	TSL0709S101KR66PF	TDK
D 21	SLC22MG	ROM	IC 6	NJM78L08UASHPZZZB	SJRC	< RESISTORS >		
D 21	LH510	SNGS	IC 7	SN74LV574APWR	TEX	R 1	RGC1/16C223DTP	KMY
D 22	SLC22MG	ROM	IC 8	SN74LV574APWR	TEX	R 2	RGC1/16C223DTP	KMY
D 22	LH510	SNGS	IC 9	SN74LV574APWR	TEX	R 3	RGC1/16C223DTP	KMY
< RESISTORS >			IC 10	SN74LV574APWR	TEX	R 4	RGC1/16C223DTP	KMY
R 1	CFS1/4C122J	KOA	IC 11	SN74LV574APWR	TEX	R 5	RGC1/16C223DTP	KMY
< SWITCHES >			IC 12	SN74LV574APWR	TEX	R 6	RGC1/16C223DTP	KMY
S 9	SKHHAK	ALP	< COILS >			R 7	RGC1/16C223DTP	KMY
S 10	SKHHAK	ALP	L 1	TSL0709S101KR66PF	TDK	< RESISTORS >		
S 11	SKHHAK	ALP	< RESISTORS >			R 1	RGC1/16C223DTP	KMY
S 12	SKHHAK	ALP	R 1	RGC1/16C223DTP	KMY	R 2	RGC1/16C223DTP	KMY
S 17	SKHHAK	ALP	R 2	RGC1/16C223DTP	KMY	R 3	RGC1/16C223DTP	KMY
S 18	SKHHAK	ALP	R 3	RGC1/16C223DTP	KMY	R 4	RGC1/16C223DTP	KMY
S 19	SKHHAK	ALP	R 4	RGC1/16C223DTP	KMY	R 5	RGC1/16C223DTP	KMY
S 20	SKHHAK	ALP	R 5	RGC1/16C223DTP	KMY	R 6	RGC1/16C223DTP	KMY
S 25	SKHHAK	ALP	R 6	RGC1/16C223DTP	KMY	R 7	RGC1/16C223DTP	KMY
S 26	SKHHAK	ALP	< COILS >			< RESISTORS >		
S 27	SKHHAK	ALP	L 1	TSL0709S101KR66PF	TDK	R 1	RGC1/16C223DTP	KMY
S 28	SKHHAK	ALP	< RESISTORS >			R 2	RGC1/16C223DTP	KMY
S 33	SKHHAK	ALP	R 1	RGC1/16C223DTP	KMY	R 3	RGC1/16C223DTP	KMY
S 34	SKHHAK	ALP	R 2	RGC1/16C223DTP	KMY	R 4	RGC1/16C223DTP	KMY
S 35	SKHHAK	ALP	R 3	RGC1/16C223DTP	KMY	R 5	RGC1/16C223DTP	KMY
S 36	SKHHAK	ALP	R 4	RGC1/16C223DTP	KMY	R 6	RGC1/16C223DTP	KMY
			R 5	RGC1/16C223DTP	KMY	R 7	RGC1/16C223DTP	KMY

SYMBOL	PARTS CODE	MFD.	SYMBOL	PARTS CODE	MFD.	SYMBOL	PARTS CODE	MFD.
R 8	RGC1/16C223DTP	KMY	R 85	RGC1/16C122DTP	KMY	S 48	TM221L5	FJS
R 9	RGC1/16C104DTP	KMY	R 86	RGC1/16C122DTP	KMY	S 48	TZ0111	FJS
R 10	RGC1/16C104DTP	KMY	R 87	RGC1/16C122DTP	KMY	S 49	TM101	FJS
R 11	RGC1/16C104DTP	KMY	R 88	RGC1/16C821DTP	KMY	S 49	TZ0011	FJS
R 12	RGC1/16C104DTP	KMY	R 89	RGC1/16C821DTP	KMY	S 50	TM101	FJS
R 13	RGC1/16C104DTP	KMY	R 90	RGC1/16C122DTP	KMY	S 50	TZ0011	FJS
R 14	RGC1/16C104DTP	KMY	R 91	RGC1/16C122DTP	KMY	S 51	TM101	FJS
R 15	RGC1/16C104DTP	KMY	R 92	RGC1/16C122DTP	KMY	S 51	TZ0011	FJS
R 16	RGC1/16C472DTP	KMY	R 93	RGC1/16C122DTP	KMY	S 52	TM101	FJS
R 17	RGC1/16C472DTP	KMY	R 94	RGC1/16C122DTP	KMY	S 52	TZ0011	FJS
R 18	RGC1/16C472DTP	KMY	R 95	RGC1/16C122DTP	KMY	S 53	TM101	FJS
R 19	RGC1/16C472DTP	KMY	R 96	RGC1/16C122DTP	KMY	S 53	TZ0011	FJS
R 20	RGC1/16C472DTP	KMY	R 97	RGC1/16C122DTP	KMY			
R 21	RGC1/16C472DTP	KMY	R 98	RGC1/16C122DTP	KMY	< TRANSISTORS >		
R 22	RGC1/16C472DTP	KMY	R 99	RGC1/16C821DTP	KMY			
R 23	RGC1/16C472DTP	KMY				TR 1	2SC4154T1111G	MIT
R 24	RGC1/16C101DTP	KMY	< ROTARY ENCODERS >			TR 2	2SC4154T1111G	MIT
R 25	RGC1/16C101DTP	KMY				TR 3	2SC4154T1111G	MIT
R 26	RGC1/16C101DTP	KMY	RE 1	RES20D502011	CPL	TR 4	2SC4154T1111G	MIT
R 27	RGC1/16C101DTP	KMY	RE 1	KNOB	CPL	TR 5	2SC4154T1111G	MIT
R 28	RGC1/16C101DTP	KMY				TR 6	2SC4154T1111G	MIT
R 29	RGC1/16C101DTP	KMY	< SWITCHES >			TR 7	2SC4154T1111G	MIT
R 30	RGC1/16C101DTP	KMY						
R 31	RGC1/16C101DTP	KMY	S 5	TM221L2	FJS			
R 32	RGC1/16C103DTP	KMY	S 5	TZ0111	FJS			
R 33	RGC1/16C103DTP	KMY	S 6	TM221L2	FJS			
R 34	RGC1/16C103DTP	KMY	S 6	TZ0111	FJS			
R 35	RGC1/16C103DTP	KMY	S 7	TM221L2	FJS			
R 36	RGC1/16C103DTP	KMY	S 7	TZ0111	FJS			
R 37	RGC1/16C103DTP	KMY	S 8	TM221L2	FJS			
R 38	RGC1/16C103DTP	KMY	S 8	TZ0111	FJS			
R 39	RGC1/16C103DTP	KMY	S 13	TM221L2	FJS			
R 40	RGC1/16C101DTP	KMY	S 13	TZ0111	FJS			
R 41	RGC1/16C101DTP	KMY	S 14	TM221L2	FJS			
R 42	RGC1/16C101DTP	KMY	S 14	TZ0111	FJS			
R 43	RGC1/16C101DTP	KMY	S 15	TM221L2	FJS			
R 45	RGC1/16C103DTP	KMY	S 15	TZ0111	FJS			
R 46	RGC1/16C103DTP	KMY	S 16	TM221L2	FJS			
R 47	RGC1/16C103DTP	KMY	S 16	TZ0111	FJS			
R 48	RGC1/16C103DTP	KMY	S 21	TM221L2	FJS			
R 50	※		S 21	TZ0111	FJS			
R 51	※		S 22	TM221L2	FJS			
R 52	RGC1/16C101DTP	KMY	S 22	TZ0111	FJS			
R 53	RGC1/16C104DTP	KMY	S 23	TM221L2	FJS			
R 54	RGC1/16C104DTP	KMY	S 23	TZ0106	FJS			
R 55	RGC1/16C104DTP	KMY	S 24	TM221L2	FJS			
R 56	RGC1/16C104DTP	KMY	S 24	TZ0106	FJS			
R 57	RGC1/16C122DTP	KMY	S 29	TM221L2	FJS			
R 58	RGC1/16C122DTP	KMY	S 29	TZ0111	FJS			
R 59	RGC1/16C122DTP	KMY	S 30	TM221L2	FJS			
R 60	RGC1/16C152DTP	KMY	S 30	TZ0111	FJS			
R 61	RGC1/16C152DTP	KMY	S 31	TM221L2	FJS			
R 62	RGC1/16C152DTP	KMY	S 31	TZ0105	FJS			
R 63	RGC1/16C152DTP	KMY	S 32	TM221L2	FJS			
R 64	RGC1/16C152DTP	KMY	S 32	TZ0105	FJS			
R 65	RGC1/16C152DTP	KMY	S 37	TM221L2	FJS			
R 66	RGC1/16C152DTP	KMY	S 37	TZ0111	FJS			
R 67	RGC1/16C152DTP	KMY	S 38	TM221L2	FJS			
R 68	RGC1/16C152DTP	KMY	S 38	TZ0111	FJS			
R 69	RGC1/16C152DTP	KMY	S 39	TM221L2	FJS			
R 70	RGC1/16C152DTP	KMY	S 39	TZ0111	FJS			
R 71	RGC1/16C152DTP	KMY	S 40	TM221L2	FJS			
R 72	RGC1/16C152DTP	KMY	S 40	TZ0102	FJS			
R 73	RGC1/16C152DTP	KMY	S 41	TM101	FJS			
R 74	RGC1/16C152DTP	KMY	S 41	TZ0011	FJS			
R 75	RGC1/16C152DTP	KMY	S 42	TM221L5	FJS			
R 76	RGC1/16C152DTP	KMY	S 42	TZ0111	FJS			
R 77	RGC1/16C152DTP	KMY	S 44	TM101	FJS			
R 78	RGC1/16C152DTP	KMY	S 44	TZ0011	FJS			
R 79	RGC1/16C152DTP	KMY	S 45	TM221L2	FJS			
R 80	RGC1/16C152DTP	KMY	S 45	TZ0111	FJS			
R 81	RGC1/16C821DTP	KMY	S 46	TM221L5	FJS			
R 82	RGC1/16C122DTP	KMY	S 46	TZ0111	FJS			
R 83	RGC1/16C122DTP	KMY	S 47	TM221L5	FJS			
R 84	RGC1/16C122DTP	KMY	S 47	TZ0111	FJS			

VR BOARD (COMMON)
PP-906532

SYMBOL PARTS CODE MFD.

< CONNECTORS >

CN 222 A3B10PA2DSA71 HRS

< VARIABLE RESISTORS >

VR 1 40ST902361 ALP
 VR 2 40ST902361 ALP
 VR 3 40ST902361 ALP
 VR 4 40ST902361 ALP

IR BOARD (COMMON)
PP-906529

SYMBOL PARTS CODE MFD.

< CONNECTORS >

CN 1 ML63P MAC
 CN 2 ML63P MAC

< INTEGRATED CIRCUITS >

IC 1 RS141 CTZD

LED BOARD (1517R)
PP-906533

SYMBOL PARTS CODE MFD.

< CONNECTORS >

CN 922 90C4N59040 UTK

< DIODES >

D 1 MVR2272S STL
 D 2 MVR2272S STL
 D 3 MPG2272S STL
 D 4 MPG2272S STL

ACCESSORY (EUR)

1-N64073

SYMBOL	PARTS CODE	MFD.	SYMBOL	PARTS CODE	MFD.	SYMBOL	PARTS CODE	MFD.
--------	------------	------	--------	------------	------	--------	------------	------

< AC CODE SET >

VM0306B-0303B	2.5m	HRA
---------------	------	-----

ACCESSORY (JPN)

1-N64071

SYMBOL	PARTS CODE	MFD.
--------	------------	------

< AC CODE SET >

VM1165B-1150	2.5m	HRA
--------------	------	-----

ACCESSORY (USA)

1-N64072

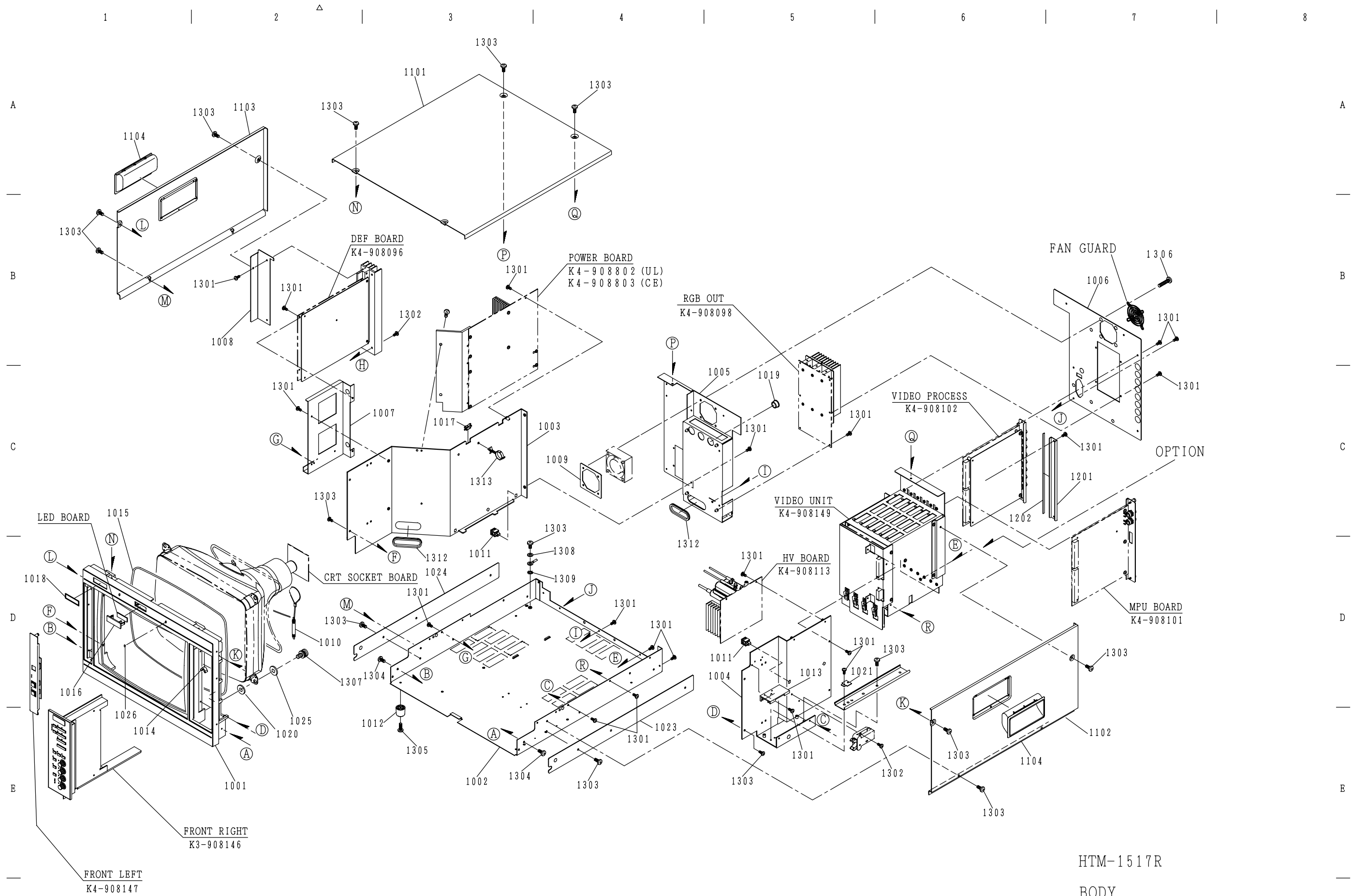
SYMBOL	PARTS CODE	MFD.
--------	------------	------

< AC CODE SET >

VM0234-VM0089A	2.5m	HRA
----------------	------	-----

3. MECHANICAL PARTS and EXPLODER VIEW

- BODY (1/2) 3-1
- BODY (2/2) 3-2
- FRONT RIGHT 3-3
- FRONT LEFT 3-4
- VIDEO UNIT 3-5
- POWER UL 3-6
- POWER CE 3-7
- DEF BOARD 3-8
- HV BOARD 3-9
- RGB OUT BOARD 3-10
- MPU BOARD 3-11
- VIDEO PROCESS 3-12



HTM-1517R
 BODY
 EXPLODED VIEW (1/2)
 K3-908808
 IKEGAMI TSUSHINKI CO. LTD.

A	BODY				SCREW					A
	No.	INDEX	PARTS NAME	PARTS No.	Q' ty	No.	INDEX	PARTS NAME	PARTS No.	
	1001	2-E	ESCUTCHEON	M2-923641	1	1301	2-B, 2-C	SCREW	MCB3-6FN	43
	1002	3-E	CHASSIS	M1-N64142 (B)	1		3-B, 3-D			
	1003	4-C	LEFT FRAME	M2-923650	1		4-D, 4-E			
	1004	5-D	RIGHT FRAME	M3-923651	1		5-V, 5-D			
	1005	5-C	REAR CHASSIS	M2-923652	1		5-E, 7-B			
							7-C			
	1006	7-B	REAR COVER	M2-N64020	1	1302	3-B, 6-E	SCREW	MCB3-8FN	5
	1007	3-C	DEF MOUNT METAL	M3-923654	1	1303	1-B, 2-A	SCREW	MCB4-6FN	24
	1008	2-B	COVER METAL	M4-923655	1		2-C, 2-D			
	1009	4-C	FAN METAL	M4-923624	1		3-A, 4-A			
	1010	2-D	EARTH SPRING	M4-279433A	2		4-C, 4-E			
							5-E, 6-D			
							6-E, 7-D			
B	1011	3-D, 5-D	PCB HOLDER	M3-908268	5					
	1012	3-E	MONITOR FOOT	M4-908267	4	1304	3-D, 3-E	SCREW	MCB4-8FN	4
	1013	5-D	GUIDE (1)	M4-912830	1	1305	3-E	SCREW	MCB4-14FN	4
	1014	1-E	RAIL GUIDE	M4-914254	1					
	1015	1-C	PACKING	KG-CR5890	2	1306	7-B	SCREW	MCB4-25FN	4
						1307	2-D	SCREW	SCB6-16FN	4
	1016	1-D	TALLY	M4-912378	1	1308	4-D	WASHER	W2P4FN	1
	1017	3-C	EDGING SADDLE	EDS-3	2	1309	4-D	WASHER	WO4FZ	1
	1018	1-D	IKEGAMI LOGO	D45	1					4
	1019	5-C	BUSHING	NB-15	3					
	1020	6-B	CRT SPACER	A5052P-H34-0.8-16-6.3	4					
						1312	3-D, 4D	BUSHING (2)	M4-916295	2
	1021	5-D	STOPPER	M4-923664	1	1313	3-C	WIRE STAND OFF	WS75-75-M	3
C										
	1023	4-E	CHASSIS COVER (R)	M3-N51027	1					
	1024	3-D	CHASSIS COVER (L)	M3-N51028	1					
	1025	2-E	CRT WASHER (1)	M4-924933	4					
	1026	1-E	ESC BLANK	M4-924237 (A)	2					

BODY COVER

No.	INDEX	PARTS NAME	PARTS No.	Q' ty
1101	3-A	TOP COVER	M2-N51025	1
1102	7-E	SIDE COVER	M2-N36122 (A)	1
1103	2-A	SIDE COVER	M2-N36122 (B)	1
1104	1-A, 6-E	HANDLE	M2-911020	2

BLANKMETAL (1)

No.	INDEX	PARTS NAME	PARTS No.	Q' ty
1201	7-C	BLANK METAL (1)	M4-923692	1
1202	6-C	SHIELD TIGH	STG1-5-233	1

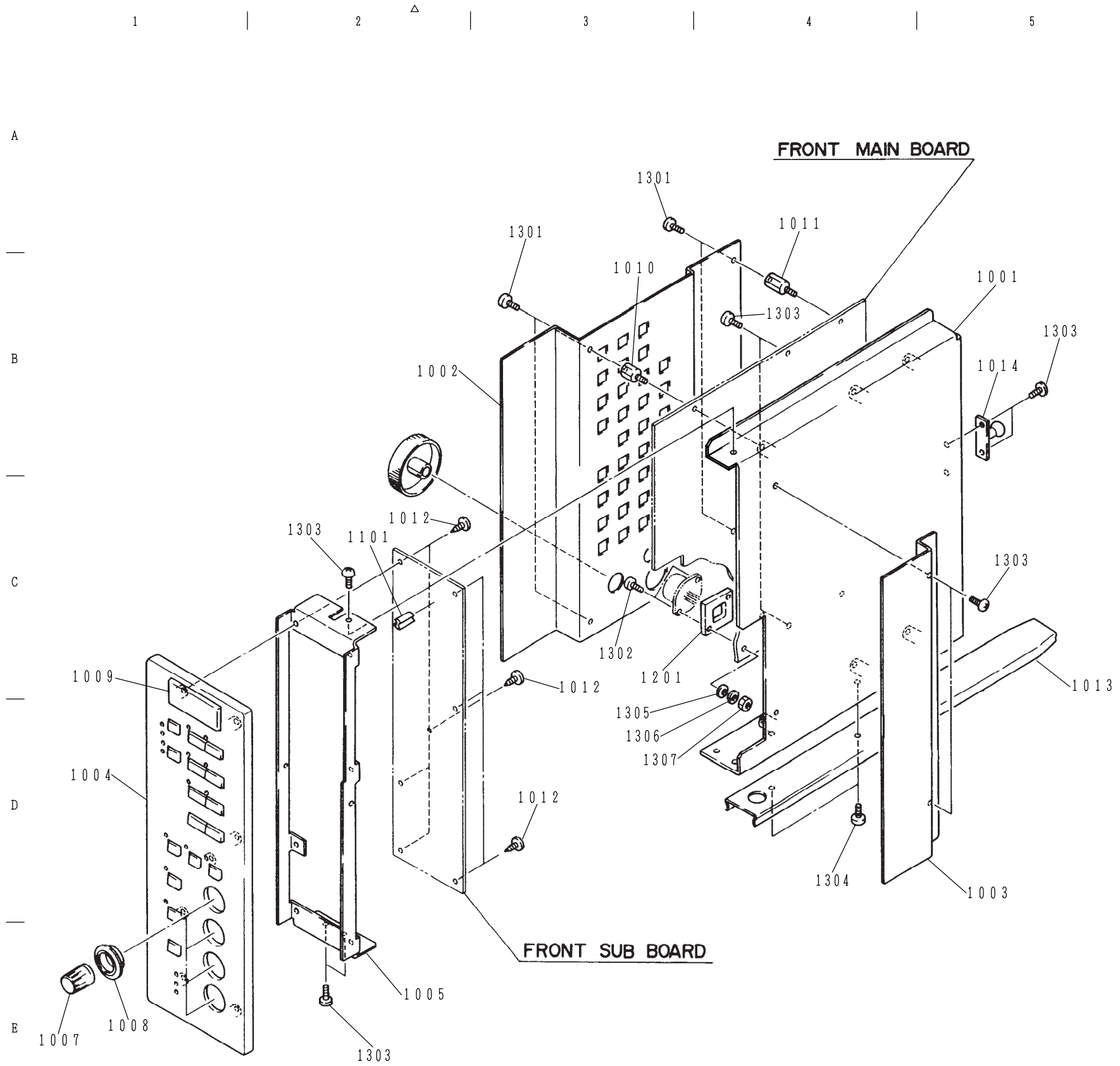
HTM-1517R

BODY

EXPLODED VIEW $(\frac{2}{2})$

K3-908808

7 | 8
IKEGAMI TSUSHINKI CO. LTD.



FRONT RIGHT

No.	INDEX	PARTS NAME	PARTS No.	Q'ty
1001	5-B	FRONT CHASSIS	M2-923443	1
1002	2-B	FRONT COVER (1)	M2-N64118	1
1003	5-D	FRONT COVER (2)	M4-920631	1
1004	1-D	RIGHT PANEL	M1-923412 (A)	1
1005	2-E	FRONT METAL	M3-923746	1
1006	2-B	ROTARY KNOB	M4-923463	1
1007	1-E	VR KNOB	M3-950094	4
1008	1-E	VR GUIDE	M3-923464	4
1010	3-B	SUPPORT	SBB-308 (E)	2
1011	4-A	SPACER	SBB-312 (E)	2
1012	2-C, 3-C, 3-D	SCREW	TBB2.6-8FN	7
1013	5-C	SLIDE RAIL	TTM-01078	1
1014	5-B	TOUCH LATCH	TTL-00562	1

HTM-1550R

MODEL PLATE				
No.	INDEX	PARTS NAME	PARTS No.	Q'ty
1009	1-C	MODEL PLATE	M4-923660	1

HTM-1505R

MODEL PLATE				
No.	INDEX	PARTS NAME	PARTS No.	Q'ty
1009	1-C	MODEL PLATE	M4-924222	1

HTM-1517R

MODEL PLATE				
No.	INDEX	PARTS NAME	PARTS No.	Q'ty
1009	1-C	MODEL PLATE	M4-N64044	1

FRONT PANEL BOARD

No.	INDEX	PARTS NAME	PARTS No.	Q'ty
1101	2-C	LED SPACER	LH-5-10	22

FRONT MAIN BOARD PAR

No.	INDEX	PARTS NAME	PARTS No.	Q'ty
1201	3-C	CONNECTOR SPACER	M4-911716	1

SCREW

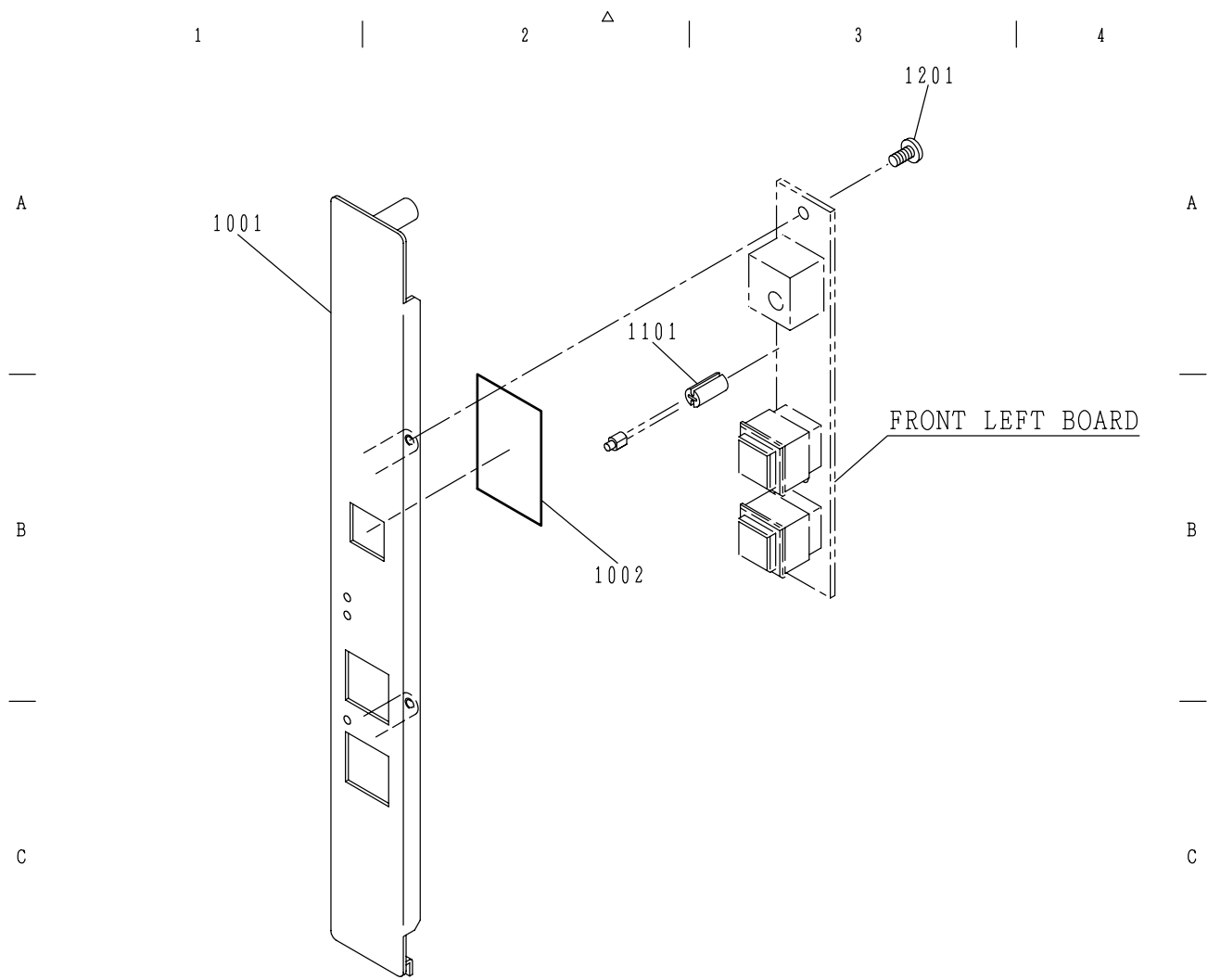
No.	INDEX	PARTS NAME	PARTS No.	Q'ty
1301	2-B	SCREW	MCB3-6FL	4
1302	3-C	SCREW	MCB2.6-10FN	2
1303	2-C, 2-E, 3-A, 4-B, 5-B, 5-C	SCREW	MCB3-6FN	9
1304	4-D	SCREW	MCB4-6FN	2
1305	3-D	WASHER	W2P2.6FN	2
1306	3-D	WASHER	WS2.6FN	2
1307	3-D	NUT	N1H2.6FN	2

HTM-1550R/1505R/1517R

FRONT RIGHT
EXPLODED VIEW

K3-908146

IKEGAMI TSUSHINKI CO. LTD.



FRONT PANEL

No.	INDEX	PARTS NAME	PARTS No.	Q'ty
1001	1-A	LEFT PANEL	M3-923657	1
1002	2-B	FILTER	M4-923703	1

FRONT LEFT BOARD PAR

No.	INDEX	PARTS NAME	PARTS No.	Q'ty
1101	2-A	LED SPACER	LH-5-10	3

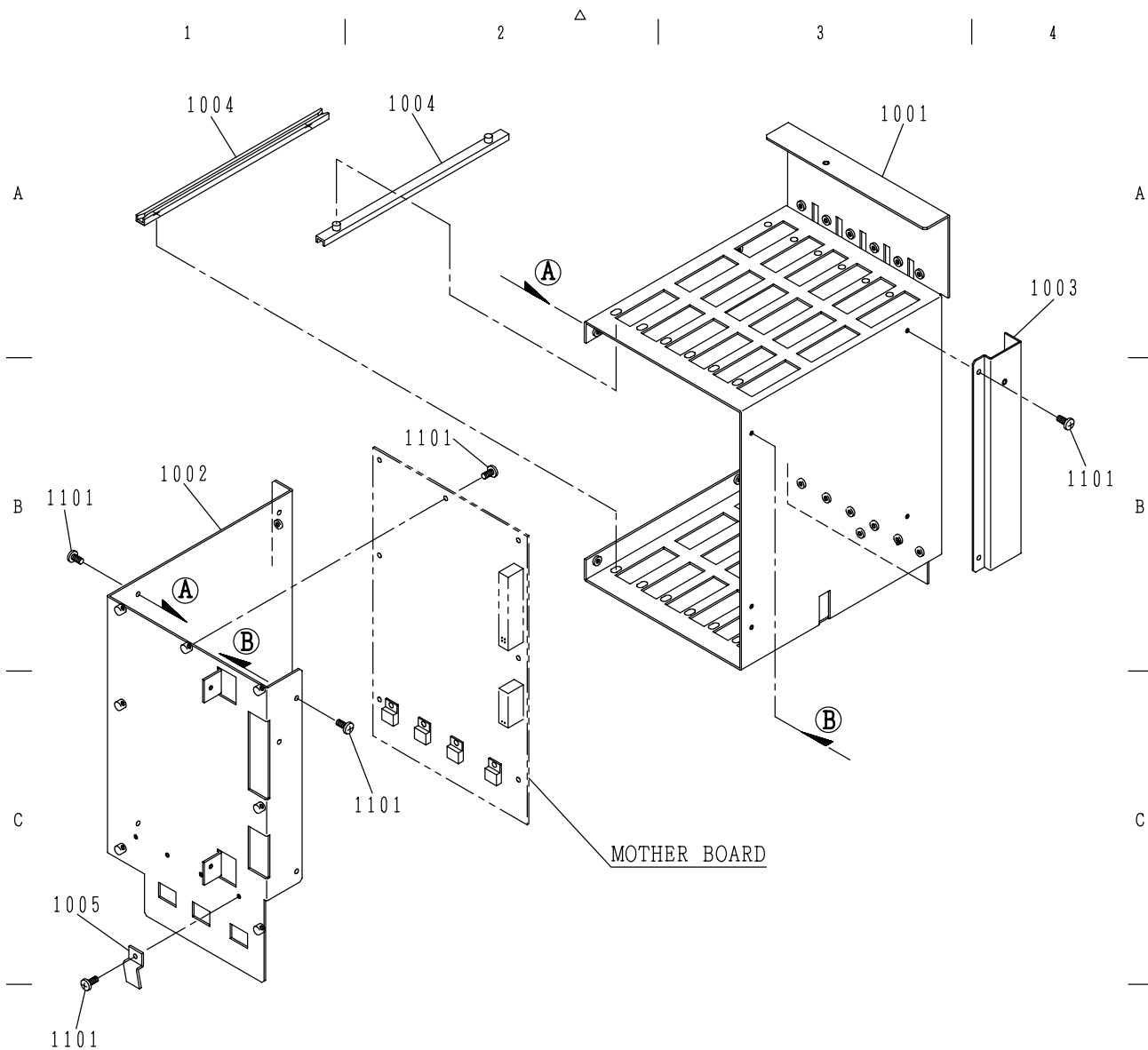
SCREW

No.	INDEX	PARTS NAME	PARTS No.	Q'ty
1201	3-A	SCREW	MCB3-6FN	2

1550R/1505R/1517R
 FRONT LEFT
 EXPLODED VIEW

K4-908147

IKEGAMI TSUSHINKI CO. LTD.



VIDEO UNIT (HTM1550R) PM-903375 99033-20750

No.	INDEX	PARTS NAME	PARTS No.	Q'ty
1001	3-A	RAIL CHASSIS (1)	M2-923661	1
1002	1-B	RAIL CHASSIS (2)	M2-923662	1
1003	4-A	RAIL CHASSIS (3)	M4-923663	1
1004	1-A, 2-A	GUIDE RAIL	GRT-170	12
1005	1-C	TR HOLDER	TRB1806 (M1806)	4

SCREW

No.	INDEX	PARTS NAME	PARTS No.	Q'ty
1101	1-B, 1-D 2-B, 2-C 4-B	SCREW	MCB3-6FN	19

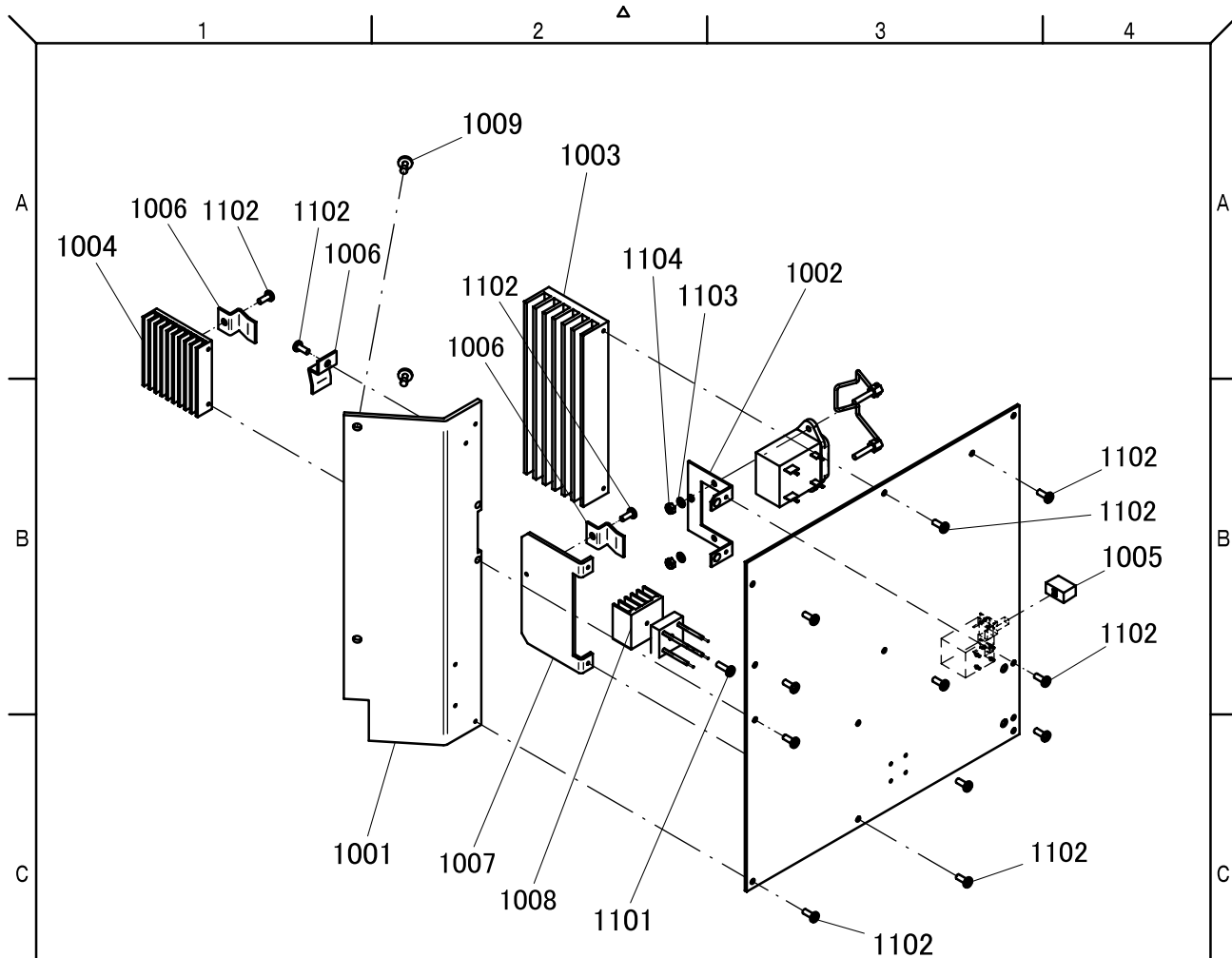
HTM-1550R/1505R/1517R

VIDEO UNIT

EXPLODED VIEW

K4-908149

IKEGAMI TSUSHINKI CO. LTD.



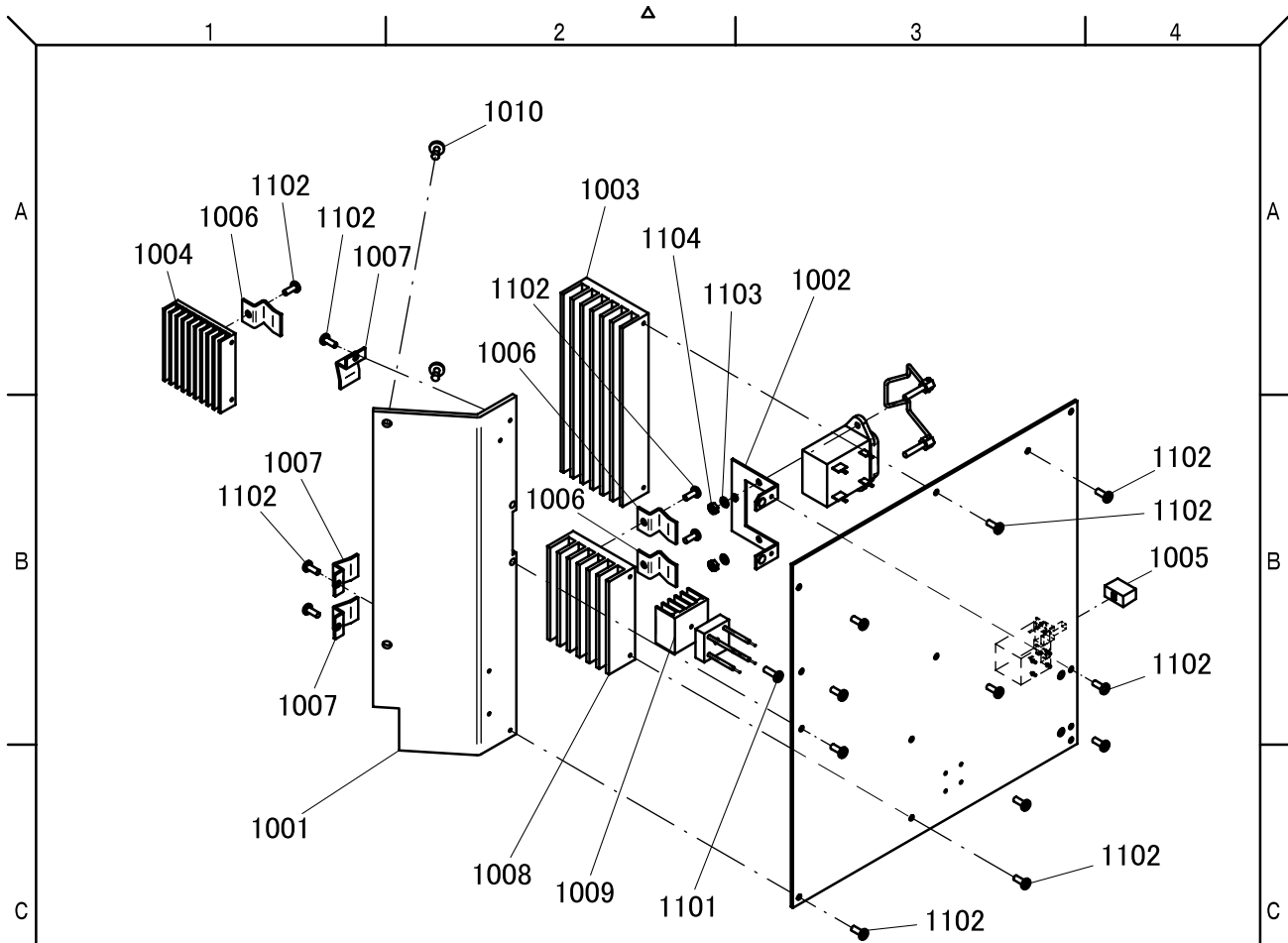
No.	INDEX	PARTS NAME	PARTS No.	Qty
1001	1-C	PS HS(4)	M3-N51056	1
1002	3-A	INRET METAL	M4-923382-000	1
1003	2-A	PS HS(3)	M4-N51055	1
1004	1-A	PS HS(1)	M4-N51053	1
1005	4-B	POWER BUTTON	M3-917616-000	1
1006	1-A,2-A	SUPPORT(1)	M4-J88091-000	3
1007	2-C	PS HS(5)	M4-N51080	1
1008	2-C	HS (D)	M4-N51068	1
1009	2-A	SCREW	M4-923537-000	2
1101	2-C	SCREW	MCB3-10FN	1
1102	1-A,2-A,3-C,4-	SCREW	MCB3-8FN	16
1103	3-A	WASHER	WS3FN	2
1104	2-A	NUT	N1H3FN	2

HTM-1990/1917/1517

POWER BOARD(UL)

K4-908802

IKEGAMI TSUSHINKI CO., LTD.



No.	INDEX	PARTS NAME	PARTS No.	Q'ty
1001	1-C	PS HS(4)	M3-N51056	1
1002	3-A	INRET METAL	M4-923382-000	1
1003	2-A	PS HS(3)	M4-N51055	1
1004	1-A	PS HS(1)	M4-N51053	1
1005	4-B	POWER BUTTON	M3-917616-000	1
1006	1-A,2-A,2-B	SUPPORT(1)	M4-J88091-000	3
1007	1-A,1-B	SUPPORT(1)TUIKA	M4-N13071	3
1008	2-C	PS HS(2)	M4-N51054	1
1009	2-C	HS (D)	M4-N51068	1
1010	2-A	SCREW	M4-923537-000	2
1101	2-C	SCREW	MCB3-10FN	1
1102	1-A,1-B,2-A,3-	SCREW	MCB3-8FN	19
1103	2-A	WASHER	WS3FN	2
1104	2-A	NUT	N1H3FN	2

HTM-1990/1917/1517

POWER BOARD(CE)

K4-908803

IKEGAMI TSUSHINKI CO., LTD.

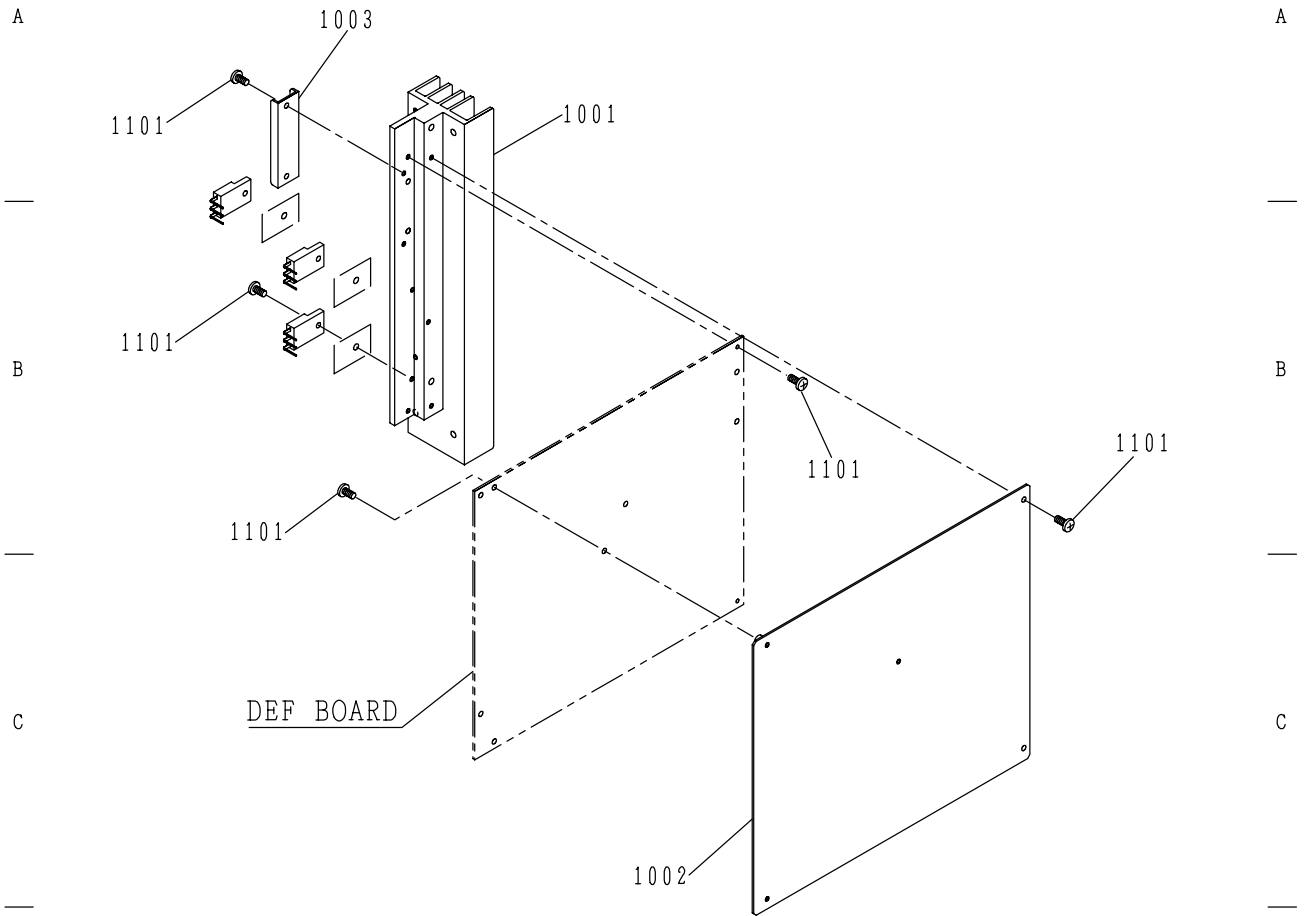
I

1

2

3

4



DEF BOARD PARTS

No.	INDEX	PARTS NAME	PARTS No.	Q' ty
1001	2-A	HEAT SINK (DEF)	M3-924812	1
1002	2-C	SHIELD PANEL (D)	M4-923535	1
1003	1-A	TR FIXING METAL	M4-909466	1

SCREW

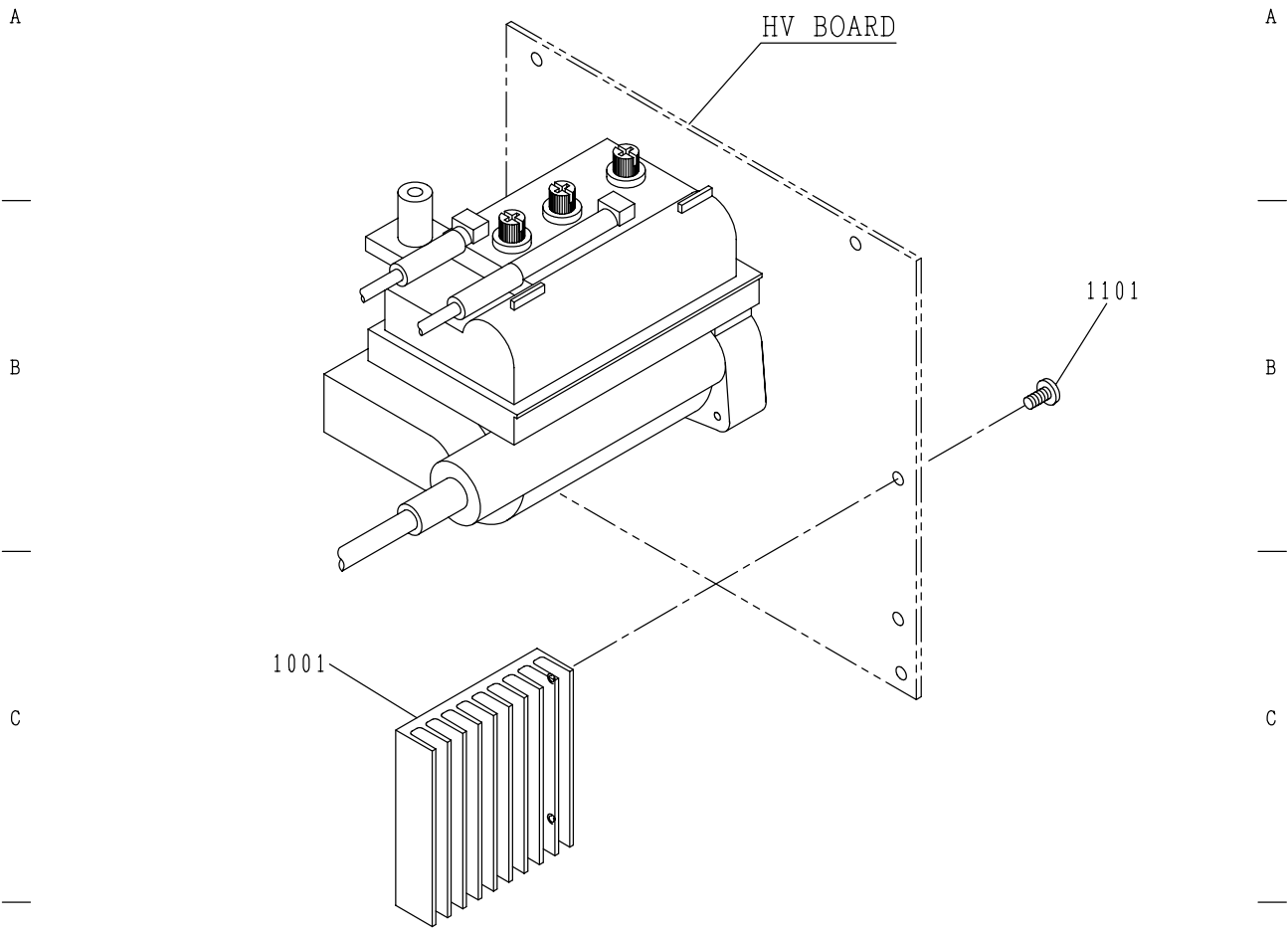
No.	INDEX	PARTS NAME	PARTS No.	Q' ty
1101	1-A, 1-B 3-B, 4-B	SCREW	MCB3-6FN	12

HTM-2050R/2005R/2070R/1550R/1505R
1550CS/1505CS/1517R/1917R/1990R

DEF BOARD
EXPLODED VIEW

K4-908096

IKEGAMI TSUSHINKI CO. LTD.



HV BOARD PARTS

No.	INDEX	PARTS NAME	PARTS No.	Q'ty
1001	1-C	HEAT SINK (HV)	M4-N36119	1

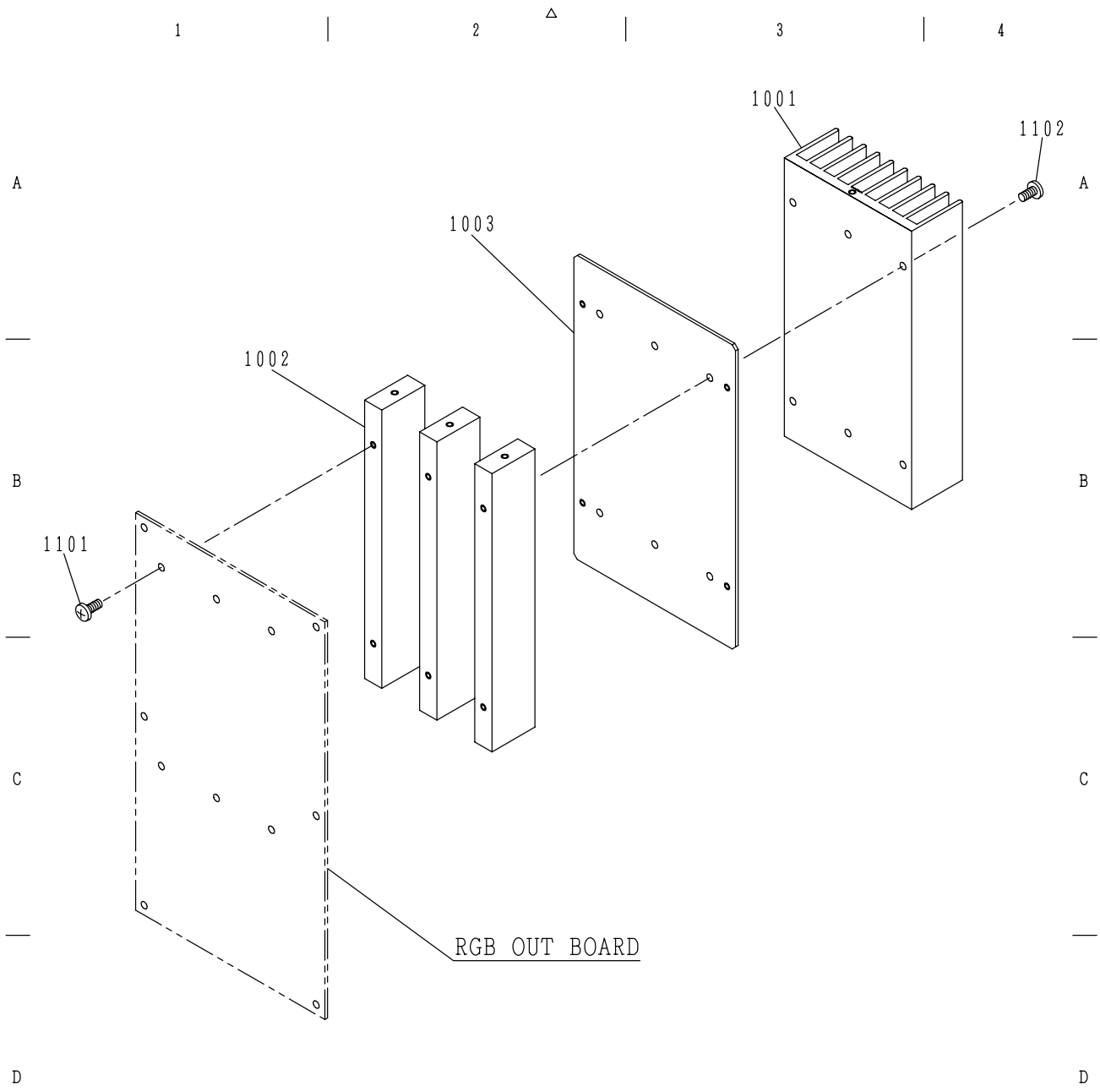
SCREW

No.	INDEX	PARTS NAME	PARTS No.	Q'ty
1101	4-B	SCREW	MCB2.6-6FN	2

HTM-1517R
 HV BOARD
 EXPLODED VIEW

K4-908809

3 | 4
 IKEGAMI TSUSHINKI CO. LTD.



RGB OUT BOARD PARTS

No.	INDEX	PARTS NAME	PARTS No.	Q' ty
1001	3-A	HEAT SINK (1) (RGB)	M4-923539	1
1002	1-B	HEAT SINK (2) (RGB)	M4-923541	3
1003	2-A	HEAT SINK (3) (RGB)	M4-923689	1

SCREW

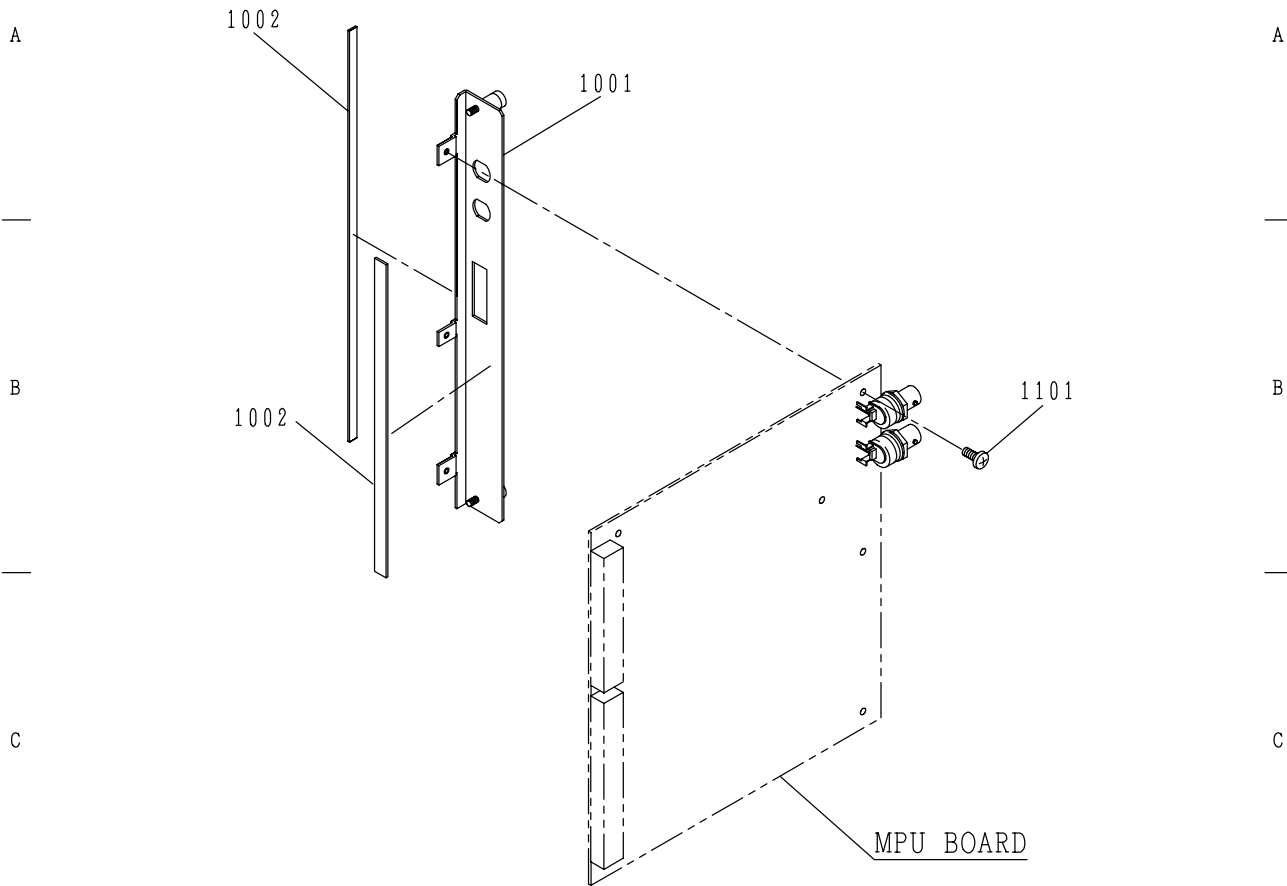
No.	INDEX	PARTS NAME	PARTS No.	Q' ty
1101	1-B	SCREW	MCB3-6FN	6
1102	4-A	SCREW	MCB3-8FN	6

HTM-2050R/2005R/2070R/1550R/1505R
1517R/1917R

RGB OUT BOARD
EXPLODED VIEW

K4-908098

IKEGAMI TSUSHINKI CO. LTD.



MPU BOARD PARTS

No.	INDEX	PARTS NAME	PARTS No.	Q'ty
1001	2-A	BNC METAL (MPU)	M4-923636	1
1002	1-A	SHIELD TIGHT	STG1.5-5-233	1
1003	1-B	SHIELD TIGHT	STG1-7-195	1

SCREW

No.	INDEX	PARTS NAME	PARTS No.	Q'ty
1101	3-B	SCREW	MCB3-4FN	1

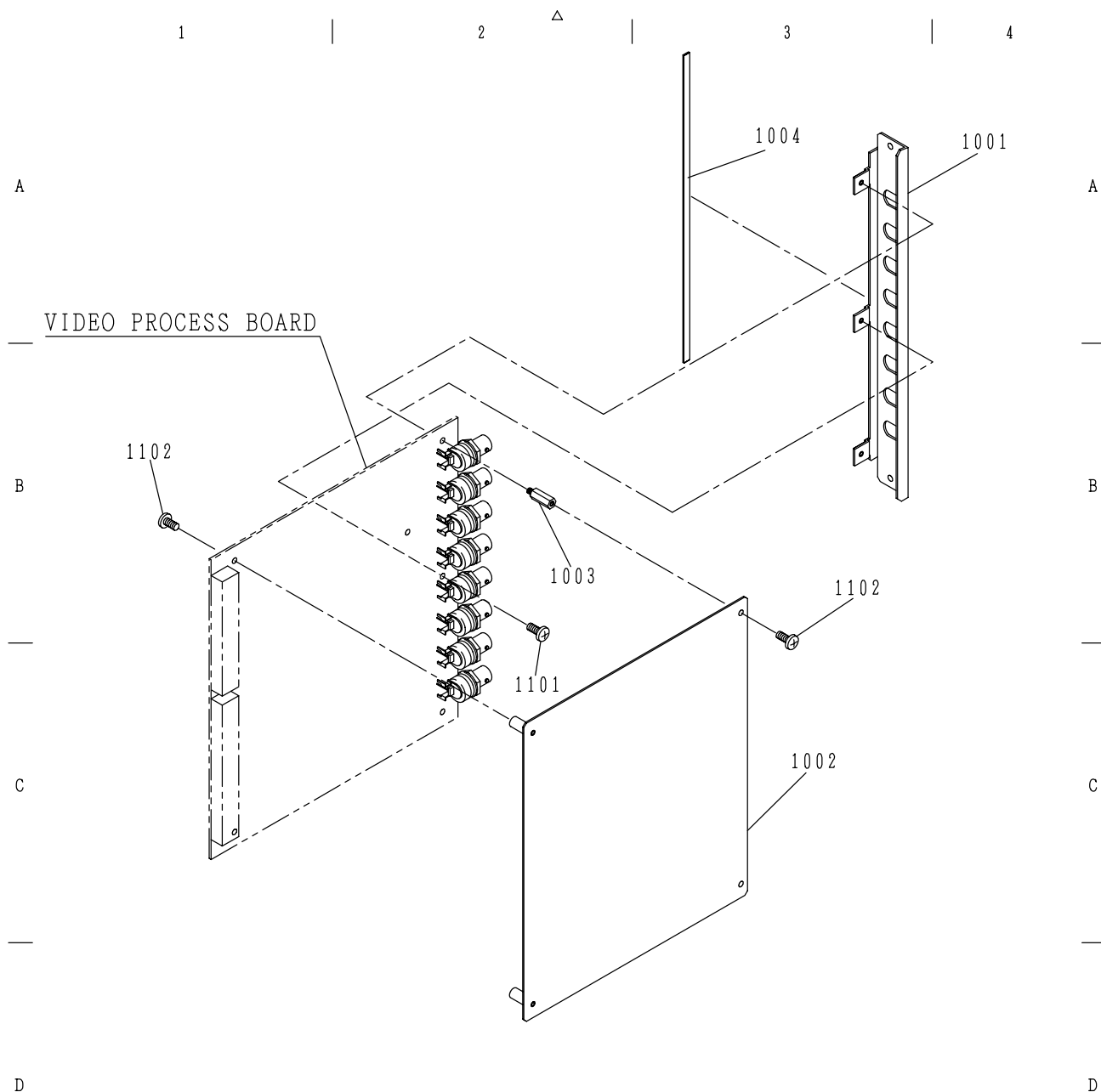
HTM-2050R/2005R/2070R/1550R/1505R
1550CS/1505CS/1517R/1917R/1990R

MPU BOARD

EXPLODED VIEW

K4-908101

IKEGAMI TSUSHINKI CO. LTD.



VIDEO PROCESS PARTS

No.	INDEX	PARTS NAME	PARTS No.	Q'ty
1001	4-A	BNC METAL (1)	M4-923418 (B)	1
1002	3-B	SHIELD PLATE (V)	M4-923681	1
1003	2-B	SUPPORT	M4-923680 (A)	2
1004	3-A	SHIELD TIGHT	STG1-7-195	1

SCREW

No.	INDEX	PARTS NAME	PARTS No.	Q'ty
1101	2-C	SCREW	MCB3-4FN	1
1102	1-B, 3-B	SCREW	MCB3-6FN	4

HTM-2050R/2005R/2070R/1550R/1505R
 1550CS/1505CS/1517R/1917R/1990R

VIDEO PROCESS
 EXPLODED VIEW

K4-908102

IKEGAMI TSUSHINKI CO. LTD.

MODEL HTM-1517R
MULTI-FORMAT COLOR MONITOR

SERVICE MANUAL

Published by Ikegami Tsushinki Co., Ltd.

© Oct. 2007 by Utsunomiya Factory
of Ikegami Tsushinki Co., Ltd.

- All right reserved. Reproduction or duplication, without permission of Ikegami Tsushinki Co., Ltd. of edition or contents in whole in part, any manner, is prohibited.
- Specifications and design are subject to change without notice.

Ikegami

Ikegami Tsushinki Co., Ltd.

5-6-16, Ikegami, Ohta-ku, Tokyo, Japan 146-8567

Phone:(03)5700-1111 Fax:(03)5700-1137

Ikegami Electronics (U.S.A.), Inc.

37 Brook Avenue, Maywood, New Jersey 07607

Phone:(201)368-9171, Fax:(201)569-1626

Ikegami Electronics (Europe) GmbH

Ikegami strasse 1, 41460 Neuss 1, F. R. Germany

Phone:(02131)123-0, Fax:(02131)102820

Property of