

PART NUMBER	DESCRIPTION

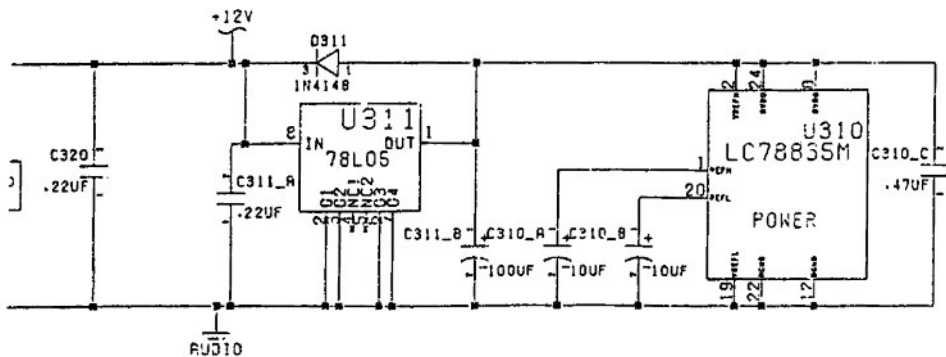
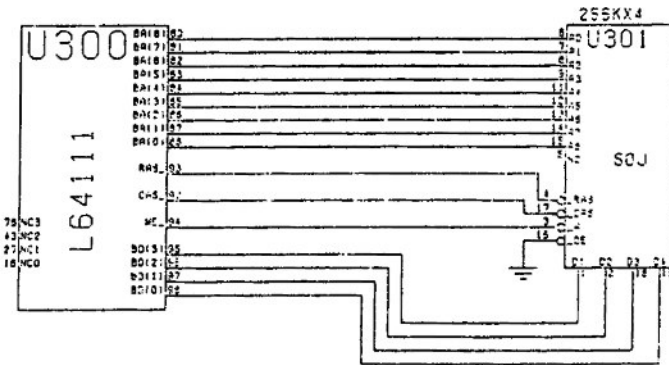
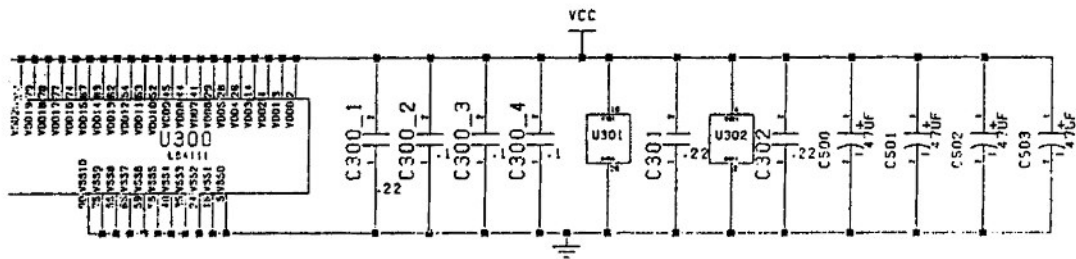
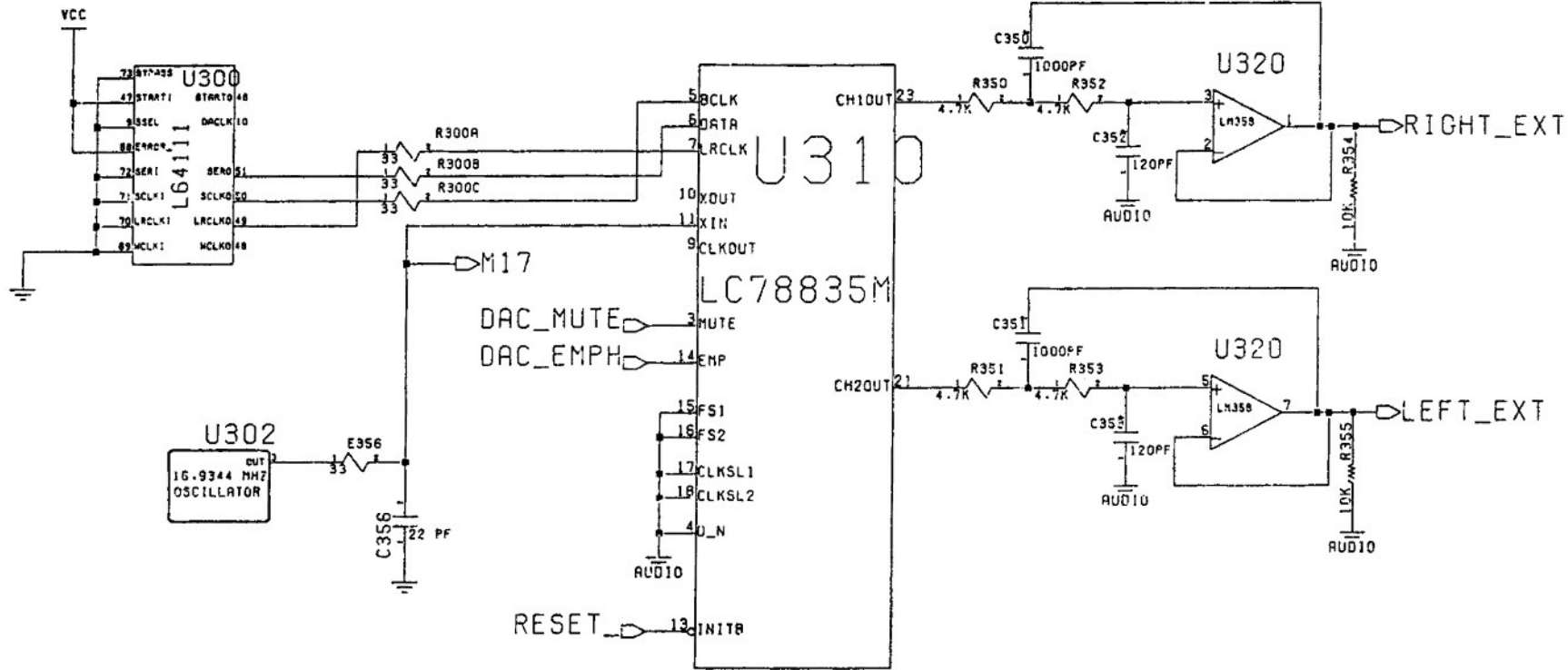
REVISIONS				
LTR	ZONE	DESCRIPTION	DATE	APPROVED
A		PILOT PRODUCTION RELEASE	9/24/93	

Notes:

1. Sheet 2 of 5 Size D

METRIC
 C.A.D. GENERATED
 NO MANUAL CHANGES TO BE MADE TO THIS DOCUMENT
 © 1993 COMMODORE ELECTRONICS LTD.
 INFORMATION CONTAINED HEREIN IS THE UNPUBLISHED AND CONFIDENTIAL PROPERTY OF COMMODORE ELECTRONICS LTD. REPRODUCTION OR DISCLOSURE OF THIS INFORMATION WITHOUT THE PRIOR WRITTEN PERMISSION OF COMMODORE IS STRICTLY PROHIBITED. ALL RIGHTS RESERVED

UNLESS OTHERWISE SPECIFIED		DRAWN BY: HYCZKA	DATE: 9/24/93	Commodore 1200 WILSON DRIVE WEST CHESTER, PA 19380 (215) 431-9100	
TOLERANCES ON DIMENSIONS		CHKD:	ENGR:		
UNDER 30	±0.1	APPR:	ENTERED (CAD) BY: LAW	SCHEMATIC CDGS MPEG MODULE	
30 TO 300	±0.2		9/24/93		
OVER 300	±0.4	MATERIAL:	USED ON:	NEXT ASSY:	
		FINISH:	MPEG CDGS		
SIZE	365465		REV	A	
SCALE	N/A		SHEET	1 OF 5	

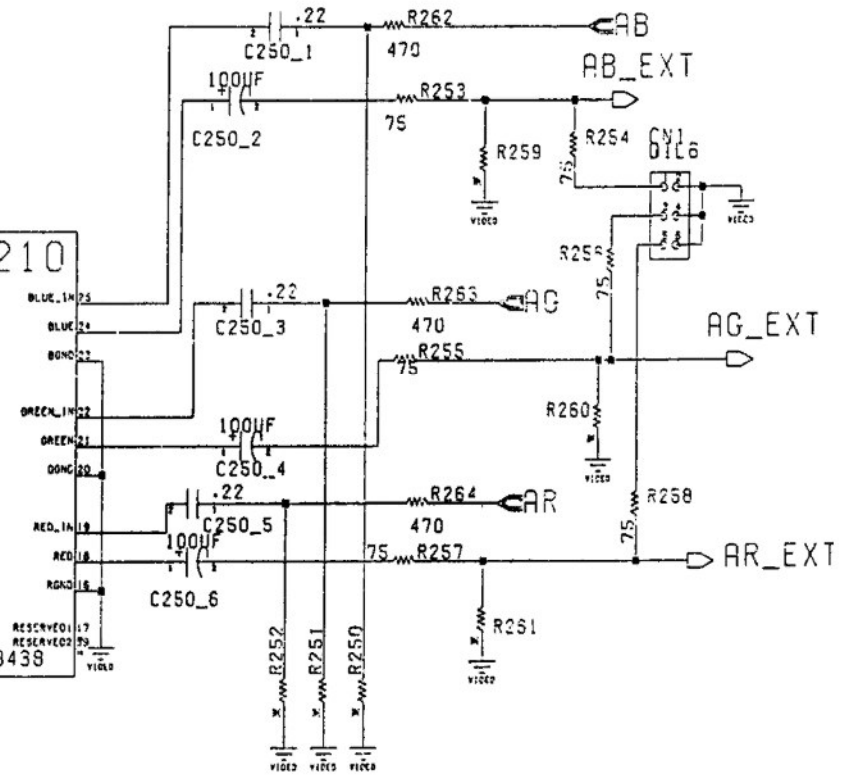
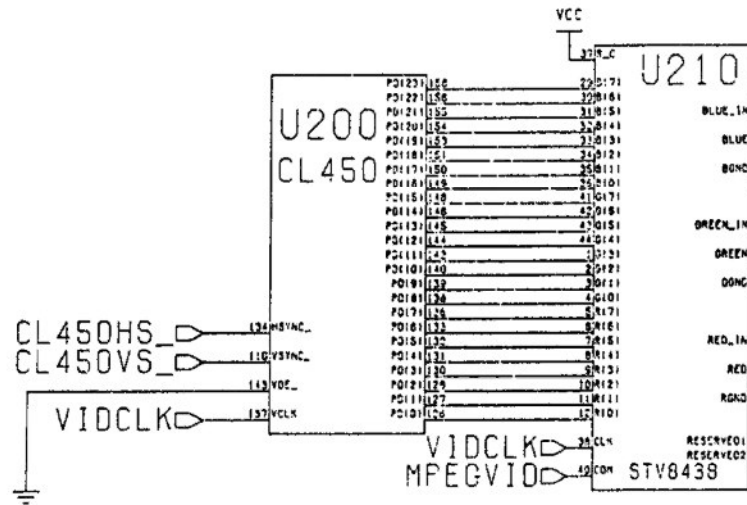
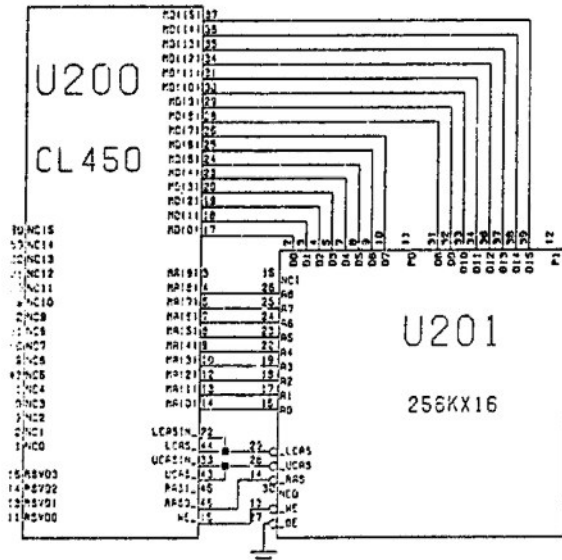
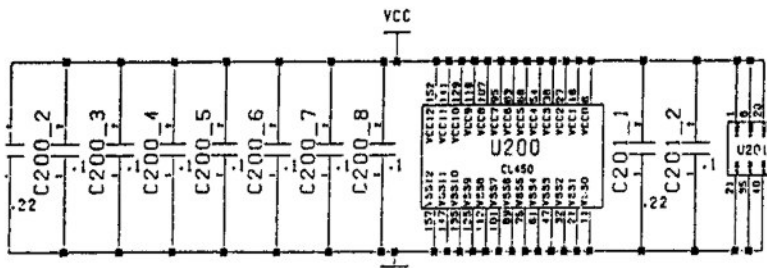


© 1993 COMMODORE BUSINESS MACHINES
 INFORMATION CONTAINED HEREIN IS UNCLASSIFIED,
 CONFIDENTIAL, AND TRADE SECRET PROPERTY OF
 COMMODORE BUSINESS MACHINES, INC. ANY USE,
 REPRODUCTION OR DISCLOSURE OF THIS INFORMATION
 WITHOUT THE PRIOR WRITTEN PERMISSION OF
 COMMODORE IS STRICTLY PROHIBITED.

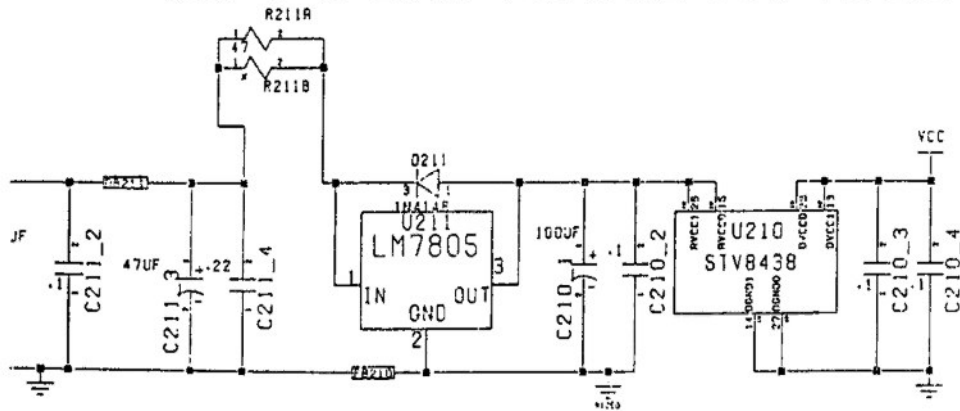
C.A.G. GENERATED
 NO PARTS CHANGED MAY BE MADE TO THIS DOCUMENT

DESIGN BY: [REDACTED]
 CHECKED BY: [REDACTED]
 DATE: [REDACTED]
 USED ON: [REDACTED]

COMMODORE
 SERIAL NUMBER: [REDACTED]
 1365465 E7
 SCALE: 1:1 (1 OF 5)

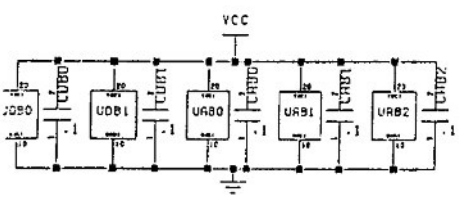
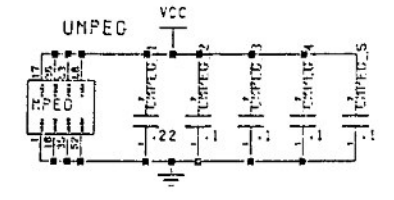
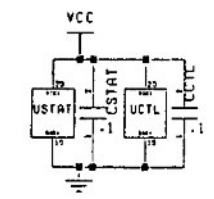
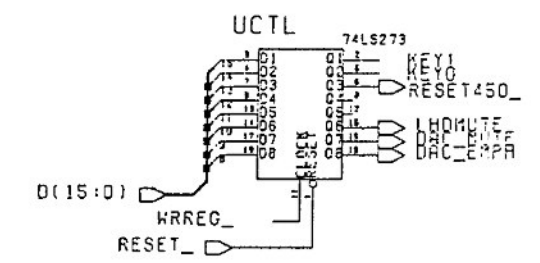
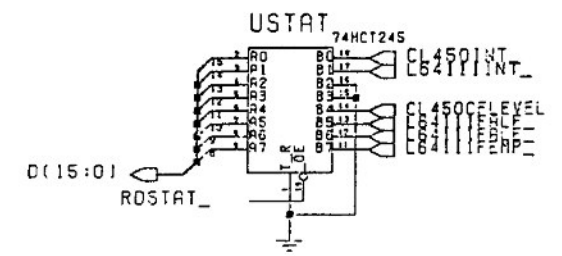
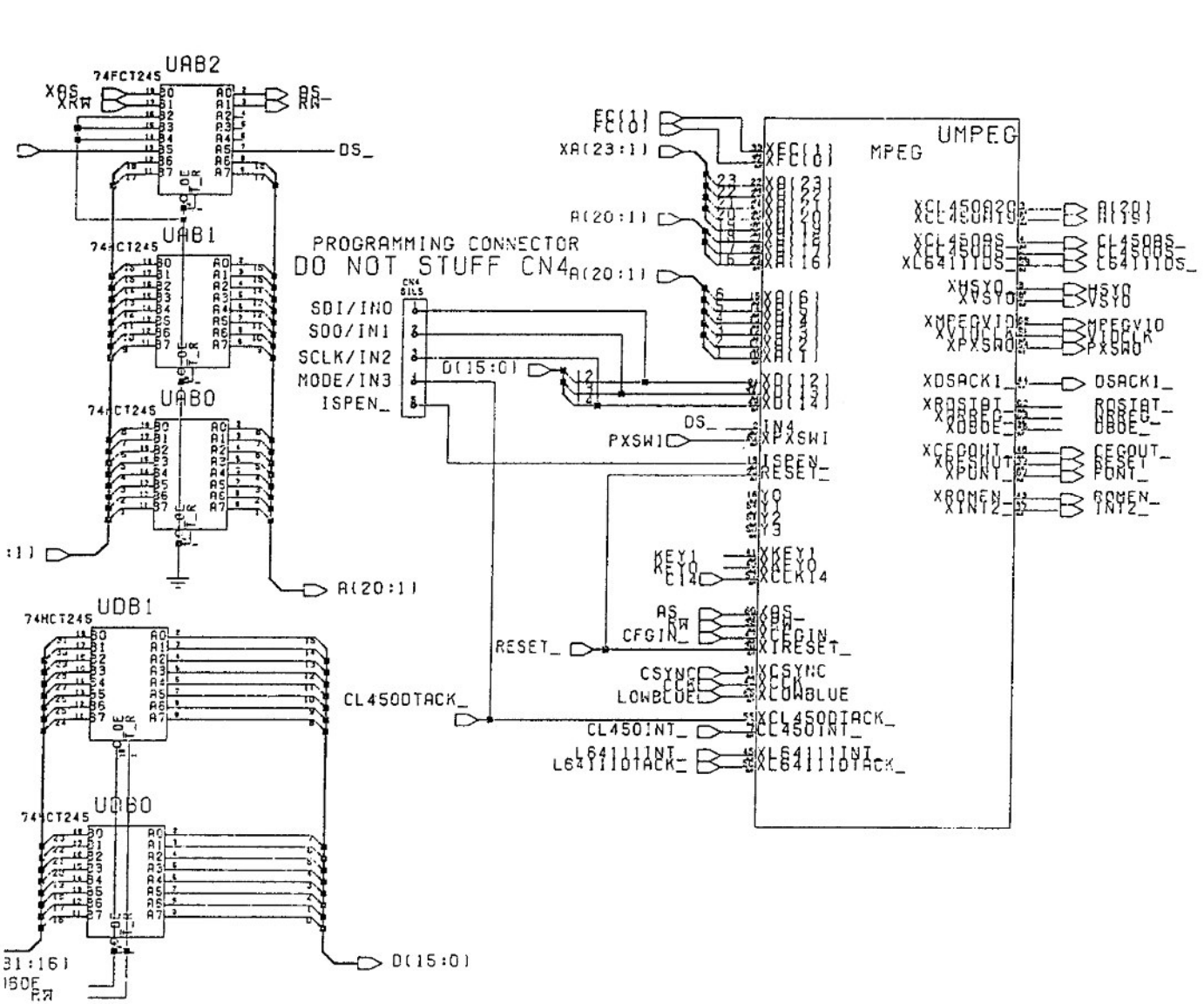


C211_1 AND C211_2 ARE 16V CAPS
USE 1 W 2512 PACKAGE FOR R211A



* DENOTES AN UNSTUFFED COMPONENT

© 1993 COMMODORE BUSINESS MACHINES INFORMATION CONTAINED HEREIN IS THE UNCLASSIFIED, CONFIDENTIAL AND TRADE SECRET PROPERTY OF COMMODORE BUSINESS MACHINES, INC. ANY USE, REPRODUCTION OR DISCLOSURE OF THIS INFORMATION WITHOUT THE PRIOR WRITTEN PERMISSION OF COMMODORE IS STRICTLY PROHIBITED.		DESIGN BY: [REDACTED] COMMODORE
		SCHEMATIC
		100% MPEG MODULE
		FILE NO: 365465.A
C.A.D. GENERATED		SCALE: 10-207.A 0/5
NO MANUAL CHANGES MAY BE MADE TO THIS DOCUMENT		



© 1993 COMMODORE BUSINESS MACHINES INFORMATION CONTAINED HEREIN IS UNPUBLISHED, CONFIDENTIAL AND TRADE SECRET PROPERTY OF COMMODORE BUSINESS MACHINES, INC. ANY USE, REPRODUCTION OR DISCLOSURE OF THIS INFORMATION WITHOUT THE PRIOR WRITTEN PERMISSION OF COMMODORE IS STRICTLY PROHIBITED.		DESIGN BY: []	COMMODORE
		DATE: []	SCHEMATIC
		REV: []	0098 MPEG MODULE
		FILE: []	365465
C.A.D. GENERATED		SCALE: []	SHEET: 5 OF 5