



Video Products Technical Bulletin 30-2012-099

DATE: **September 3, 2012**

SUBJECT: **MANUAL CORRECTION—CONNECTOR ASSEMBLY (BATTERY) AND VH CONNECTOR ASSEMBLY 2P PART NUMBERS**

MODEL: ***PVM-740***
PVM-740

DESCRIPTION

Correct the following manual as shown in Figure 1 and Figure 2.
PVM-740 Service Manual, 1st Edition

SERIAL NO: **ALL**

Italicized information in green applies to customers outside the United States.

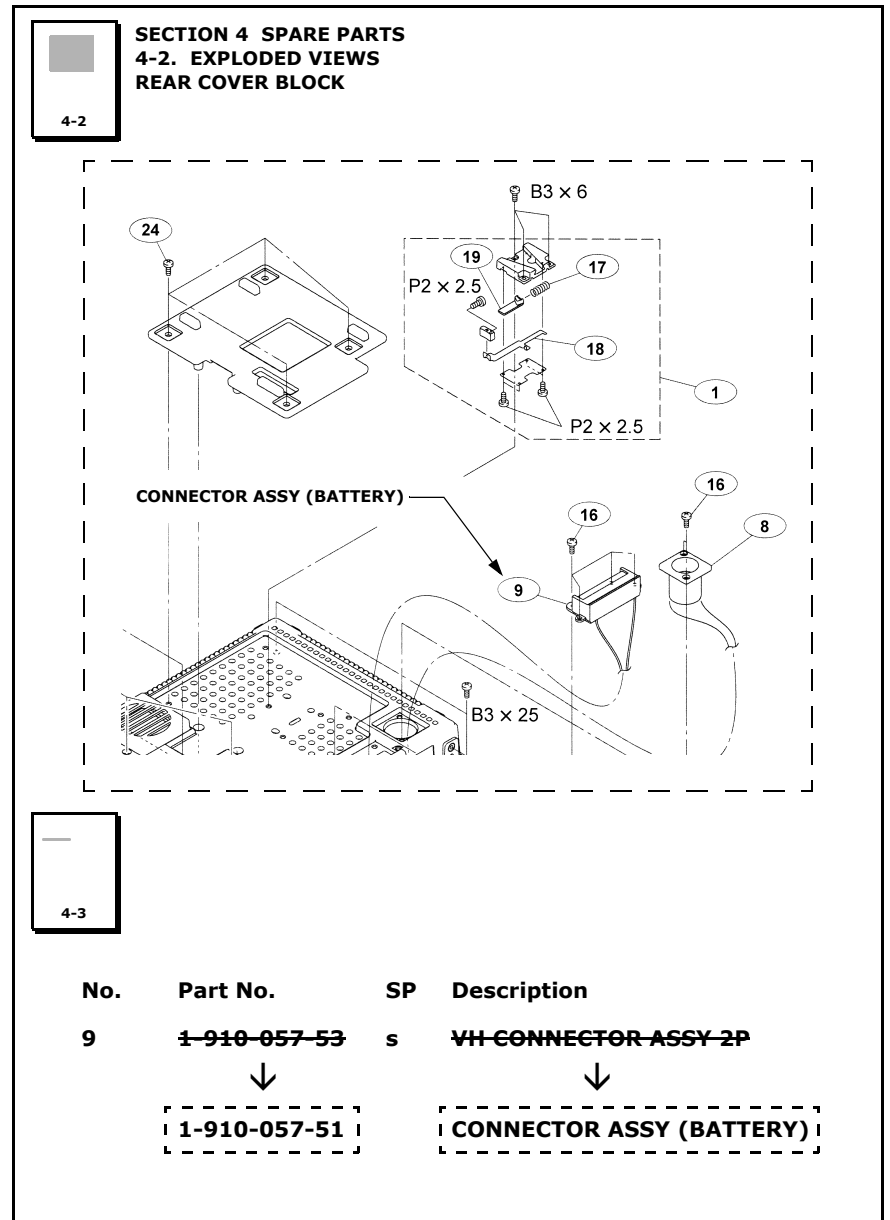
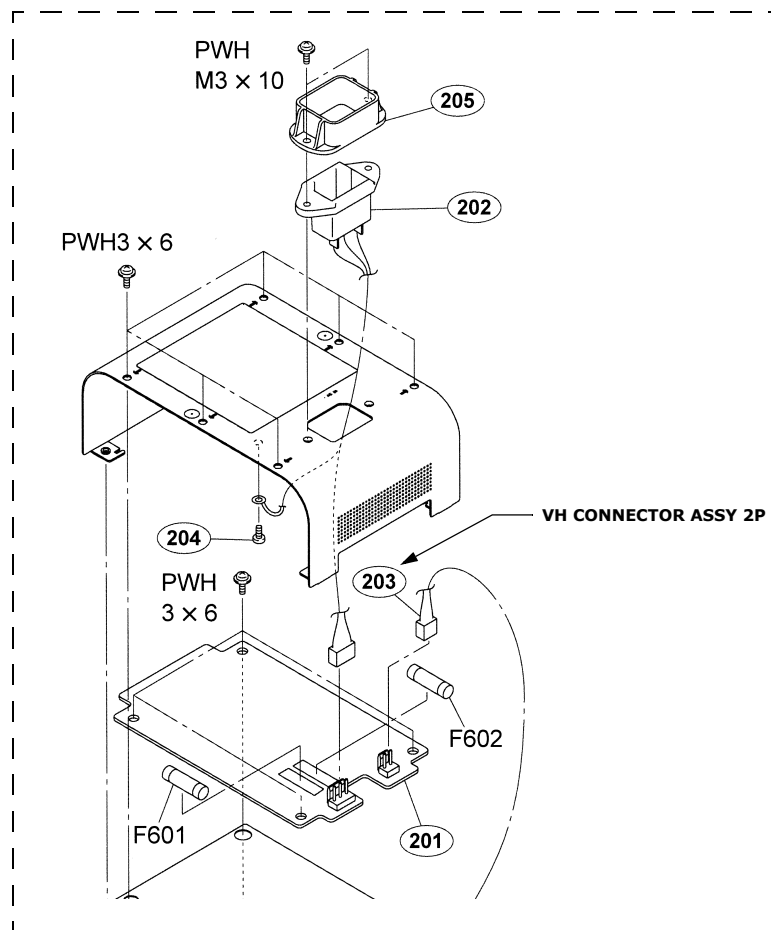


Figure 1

DPMO12-025

4-6

**SECTION 4 SPARE PARTS
4-2. EXPLODED VIEWS
POWER SUPPLY BLOCK**



4-6

No.	Part No.	SP	Description
203	1-910-057-51	s	CONNECTOR ASSY (BATTERY)
	↓		↓
	[1-910-057-53]		[VH CONNECTOR ASSY 2P]

Figure 2