

**Display**

Date: **June 7, 1993**

Subject: **NEW SWITCHING REGULATOR, COVER AND POWER BRACKET**

Model: **BKM-2085-20/2090-20**

Serial No: **2,000,536 AND HIGHER (BKM-2085-20)**  
**2,000,241 AND HIGHER (BKM-2090-20)**

**DESCRIPTION**

A new switching regulator and its associated cover and power bracket are now available as repair parts. Installation of these parts is described in the following procedure.

Former and new part numbers are as follows:

<b>Former</b>	<b>New</b>
	Switching Regulator 1-413-595-11
Switching Regulator 1-413-615-11	Cover, Switching Regulator 4-039-284-01
	Bracket, Power 4-386-814-03

**NOTE:** The BKM-2085-20 and BKM-2090-20 Digital 4:2:2 Input Kits are used in BVM-1910/1912/1915 Trinitron® color monitors.

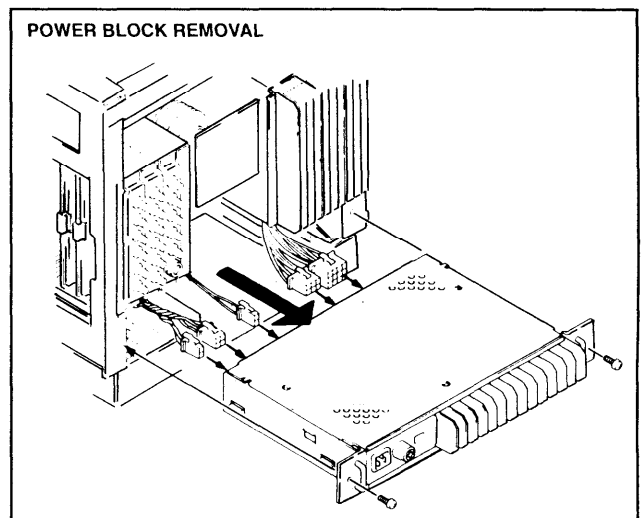
**MODIFICATION PROCEDURE**

**Removal of Former Parts**

1. Remove top cover, side panels and rear panel of monitor cabinet. (Refer to section 1-2. Installation in the BKM-2085-20/2090-20 Operation and Maintenance Manual.)
2. Remove and disconnect the power block. (See Figure 1.)
3. Remove the former switching regulator, disconnecting wires as shown in Figure 2.
4. Remove and set aside the two screws securing the former switching regulator to its bracket.

**Installation of New Parts**

5. Remove the terminal board cover to expose the five terminal screws, labeled (L), (N), (-), (+) and [FG]. (See Figure 3.)



**Figure 1**

**3-pin Connector:**

6. Connect the blue wire to terminal (L).
7. Connect the yellow wire to terminal (N).

**4-pin Connector:**

8. Connect the orange/yellow wire to terminal (-).
9. Connect the brown/red wire to terminal (+).
10. Replace the terminal board cover.
11. Remove the spare screw attached to the new switching regulator board.
12. Using this screw, fasten the new switching regulator cover onto the new switching regulator.
13. Use the two screws set aside in step 4 to attach the new power bracket to the switching regulator as shown in Figure 4.

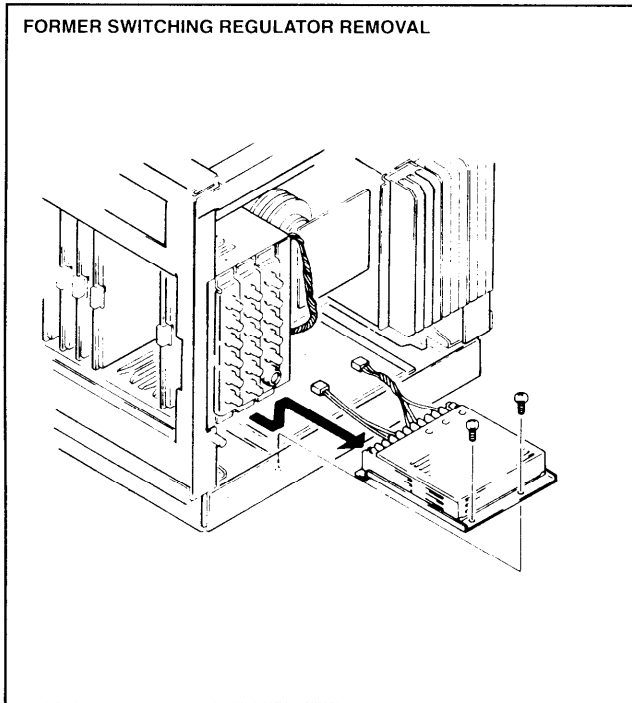


Figure 2

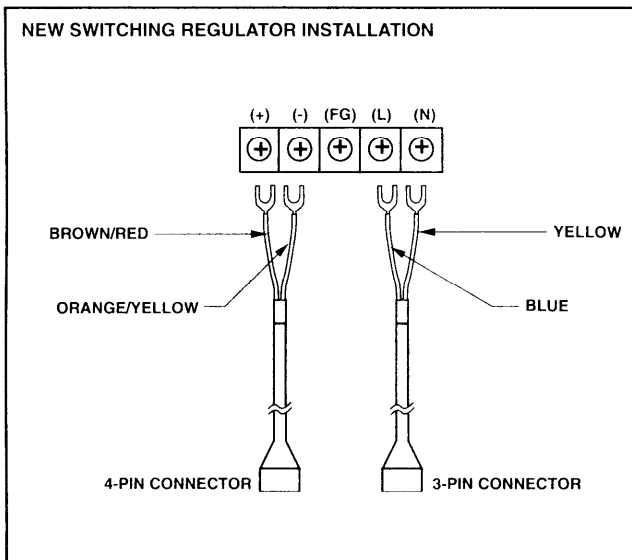


Figure 3

14. Install the new switching regulator.
15. Reinsert power block connectors, including the 3-pin connector from the switching regulator, and install the power block.
16. Reassemble the monitor cabinet.

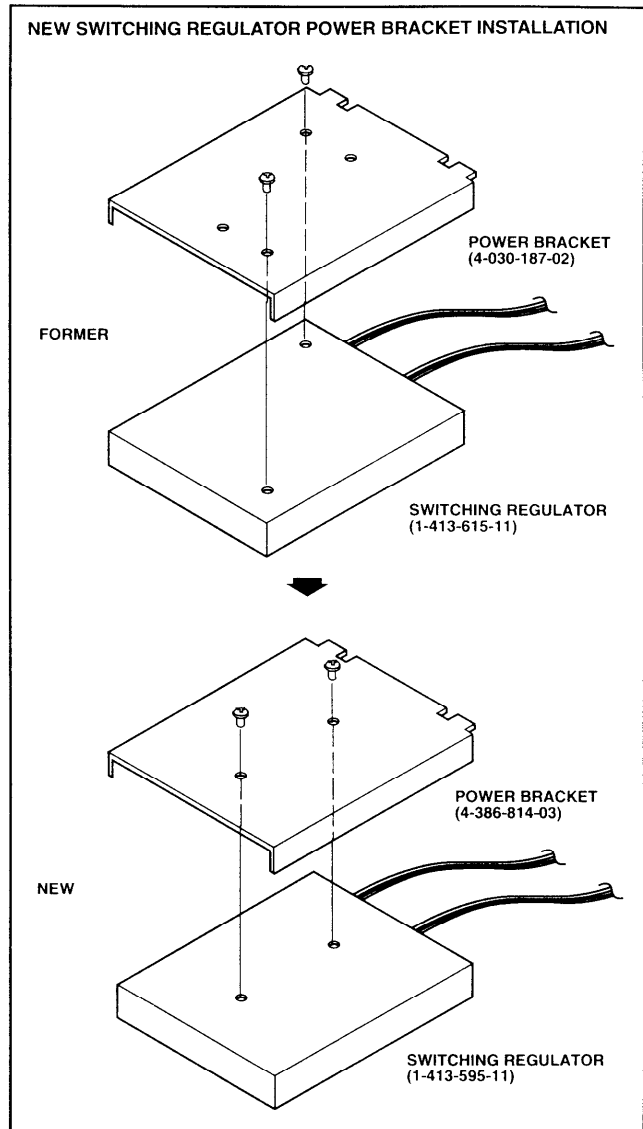


Figure 4