

PAGE	CONTENTS
1	COVER PAGE
2	CLOCK DIAGRAM
3	RESET/ENABLE DIAGRAM
4	CPU, CLOCKS + EEPROM + STRAPPING
5	CPU, FSB
6	CPU, FSB POWER + PLL POWER
7	CPU, CORE POWER
8	CPU, POWER
9	CPU, DECOUPLING
10	CPU, DECOUPLING
11	CPU, DECOUPLING
12	GPU, FSB
13	GPU, VIDEO + PCIEX + EEPROM
14	GPU, MEMORY CONTROLLER A + B
15	GPU, MEMORY CONTROLLER C + D
16	GPU, PLL POWER + FSB POWER
17	GPU, CORE POWER + MEM POWER
18	GPU, DECOUPLING
19	MEMORY, A (TOP)
20	MEMORY, A MIRRORED (BOTTOM)
21	MEMORY, B (TOP)
22	MEMORY, B MIRRORED (BOTTOM)
23	MEMORY, C (TOP)
24	MEMORY, C MIRRORED (BOTTOM)
25	MEMORY, D (TOP)
26	MEMORY, D MIRRORED (BOTTOM)
27	HANA, CLOCKS + STRAPPING
28	HANA, VIDEO + FAN + JTAG
29	CONN, HDMI
30	HANA, POWER + DECOUPLING
31	HANA, POWER + DECOUPLING
32	POWER TRACE EMI CAPS

PAGE	CONTENTS
33	SB, PCIEX + SMM GPIO + JTAG
34	SB, SMC
35	SB, FLASH + USB + SPI
36	SB, ETHERNET + AUDIO + SATA
37	SB, STANDBY POWER + DECOUPLE
38	SB, MAIN POWER + DECOUPLE
39	SB OUT, ETHERNET
40	SB OUT, AUDIO
41	SB OUT, FLASH
42	SB OUT, FAN + INFRARED + BUTTONS
43	CONN, AVIP
44	CONN, RJ45 + USB COMBO
45	CONN, GAME PORTS + MEMORY PORTS
46	MISC, V 5P0 DUAL, DEBUG MAPPING
47	CONN, ODD AND HDD
48	CONN, ARGON + POWER
49	VREGS, INPUT + OUTPUT FILTERS
50	VREGS, CPU CONTROLLER
51	VREGS, GPU OUTPUT PHASE 1,2,3
52	VREGS, GPU CONTROLLER
53	VREGS, GPU OUTPUT PHASE 1,2
54	VREGS, SWITCHED 1.8, 5.0V
55	VREGS, LINEAR REGULATORS
56	XDK, DEBUG CONN
57	DEBUG BOARD, CPU + GPU BREAKOUT
58	DEBUG BOARD, CPU CONN
59	DEBUG BOARD, CPU CONN + TERM
60	DEBUG BOARD, CPU TERM
61	DEBUG BOARD, TITAN + YETI CONN
62	DEBUG BOARD, GPU CONN + TERM
63	XDK, LEDS, BDCM PHY
64	LABELS AND MOUNTING, PCI SWIZ

SCHEMATIC REV 6.0	PCBA NUMBER X810731-001	REV B	BOM RELEASE DATE 7/15/06
----------------------	----------------------------	----------	-----------------------------

\*\*\*\*\* IMPORTANT \*\*\*\*\*  
SCHEMATIC CORRESPONDS TO BOM REVISION INDICATED.  
PLEASE REFER TO AGILE FOR LATEST BOM AND ECOS  
FOR UPDATES.

**ZEPHYR**  
RETAIL, YR1  
REV 6.0  
FAB F

RULES: (APPLIED WHEN POSSIBLE)

- 1.) MSB TO LSB IS TOP TO BOTTOM
- 2.) WHEN POSSIBLE, INPUTS ON LEFT, OUTPUTS ON RIGHT
- 3.) ORDER OF PAGES: CHIP INTERFACES, TERMINATION, POWER, DECOUPLING
- 4.) AVOID USING OFF PAGE CONNECTORS FOR ON PAGE CONNECTIONS
- 5.) LANED SIGNALS ARE GROUPED ON SYMBOLS
- 6.) TRANSMITTER NAME USED AS PREFIX WITH RX AND TX CONNECTIONS
- 7.) SUFFIX V IS USED FOR VOLTAGE RAIL SIGNAL NAMES
- 8.) SUFFIX DP AND DN ARE USED FOR DIFFERENTIAL PAIRS
- 9.) UNNAMED NETS ARE NAMED WITH /2, TEXT SIZE
- 10.) SUFFIX N FOR ACTIVE, LOW OR N JUNCTION
- 11.) SUFFIX P FOR P JUNCTION
- 12.) SUFFIX EN FOR ENABLE
- 13.) CLK FOR CLOCKS, RST FOR RESETS
- 14.) PWRGD FOR POWER GOOD

[PAGE\_TITLE=COVER PAGE]

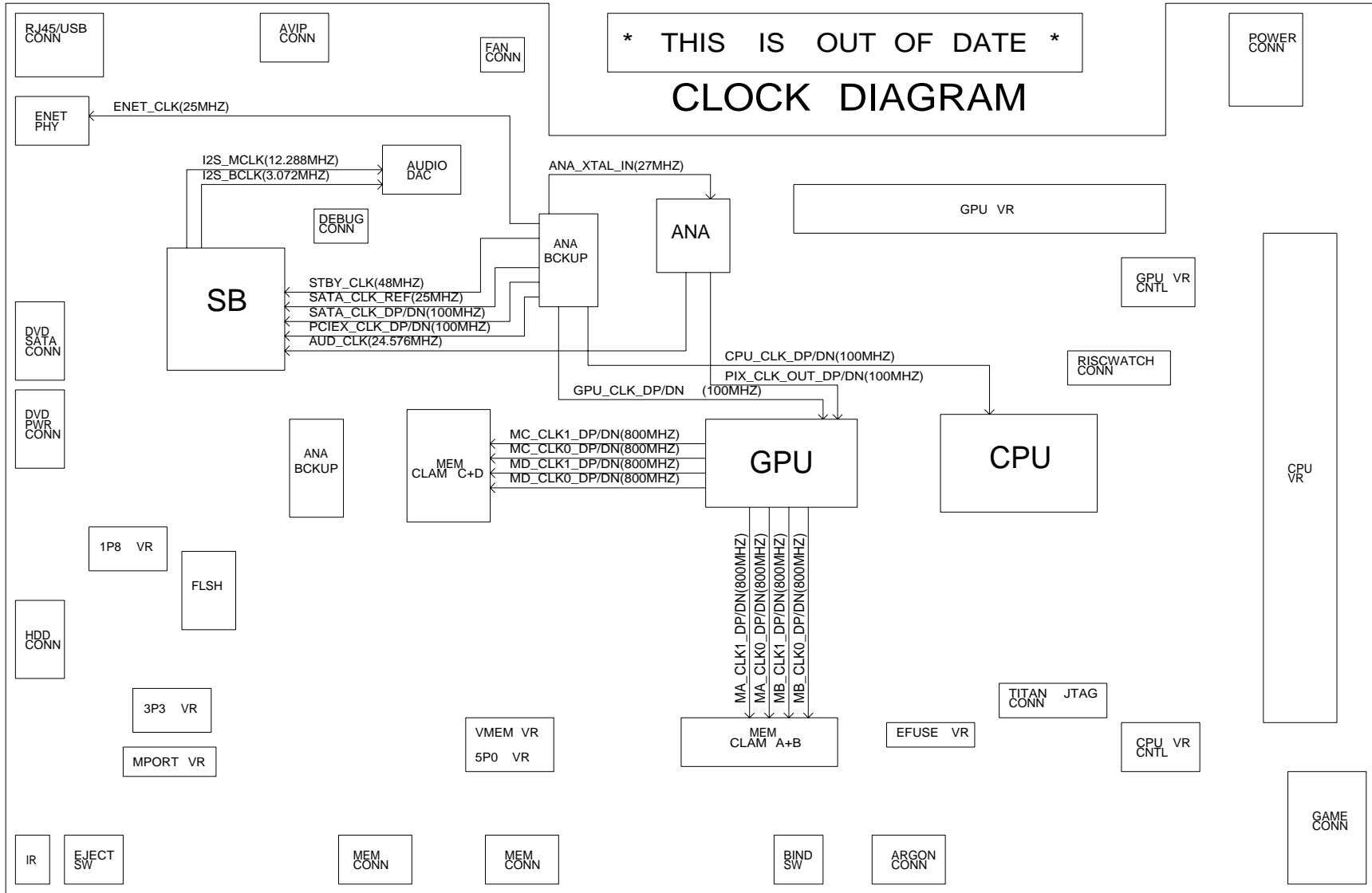
DRAWING  
ZEPHYR\_FABE  
Thu Sep 14 16:31:48 2006

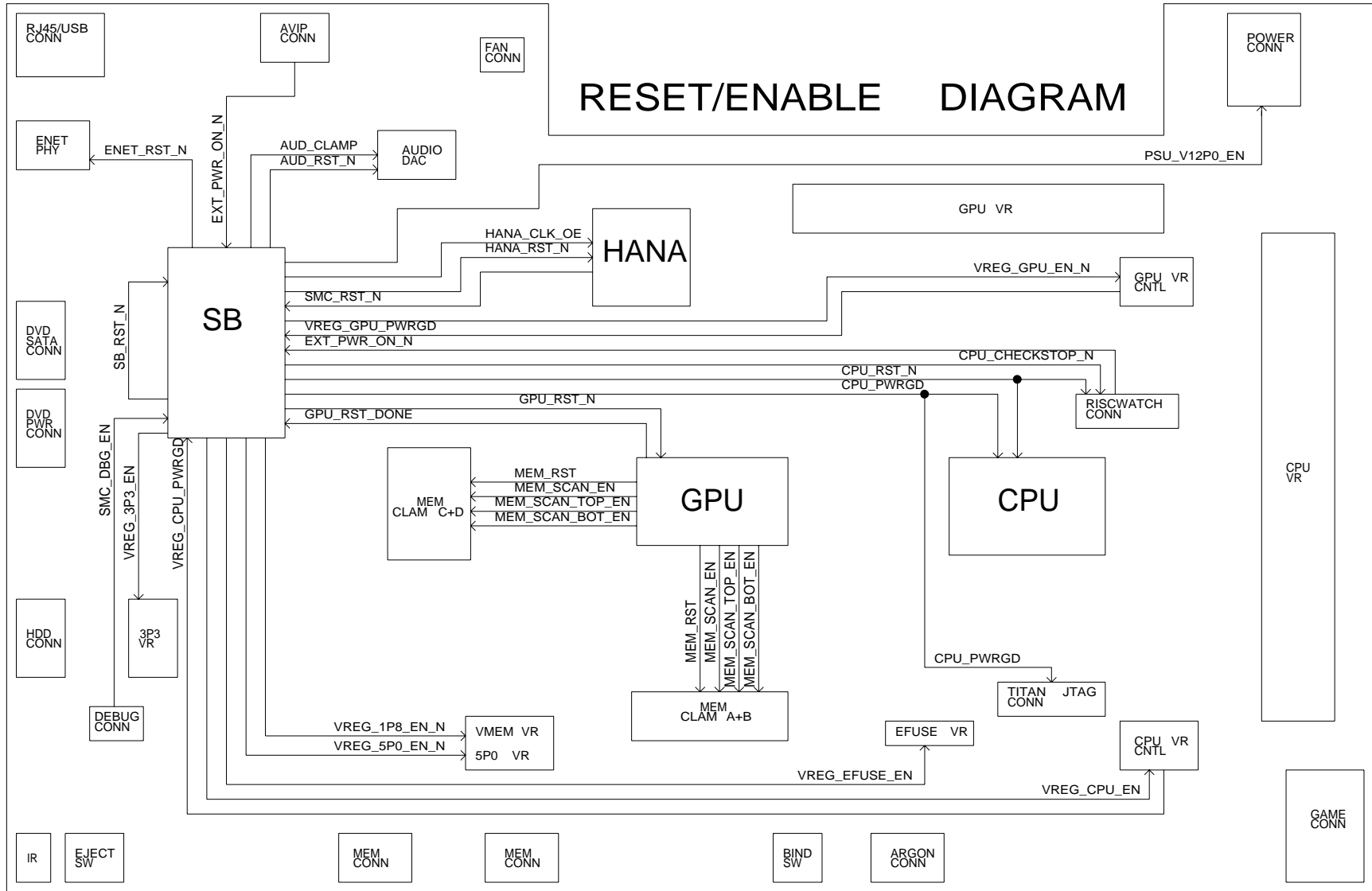
**ZEPHYR**

PLEASE REFER TO THE XENON DESIGN SPEC

BOM RELEASE DATE	07/13/06	PB NUMBER	X810384-002/X810385-002
SIGNATURE	DATE	MICROSOFT XBOX	
DRN BY		TITLE	
CHK BY		SCH, PBA, ZEPHYR	
ENGR			
APVD		MICROSOFT	PROJECT NAME
APVD		CONFIDENTIAL	ZEPHYRA_RETAIL
		PAGE	1/78
		REV	6.0

\* THIS IS OUT OF DATE \*  
**CLOCK DIAGRAM**





[PAGE\_TITLE=RESET/ENABLE DIAGRAM]

DRAWING  
XENON\_FABK  
Fri Jun 23 10:11:44 2006

MICROSOFT  
CONFIDENTIAL

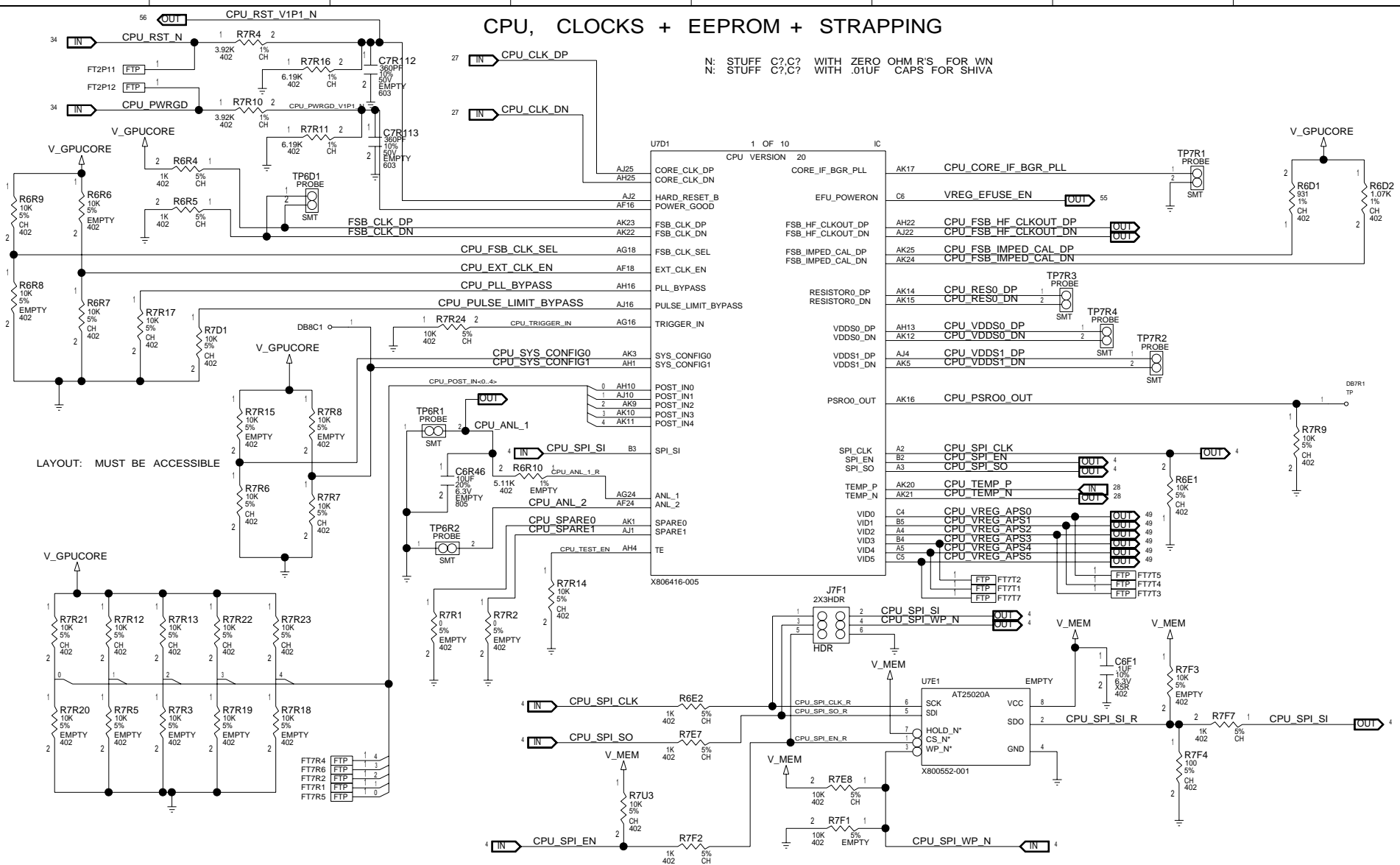
PROJECT NAME  
ZEPHYRA\_RETAIL

PAGE  
3/78

REV  
6.0

### CPU, CLOCKS + EEPROM + STRAPPING

N: STUFF C?,C? WITH ZERO OHM R'S FOR WN  
 N: STUFF C?,C? WITH .01UF CAPS FOR SHIVA



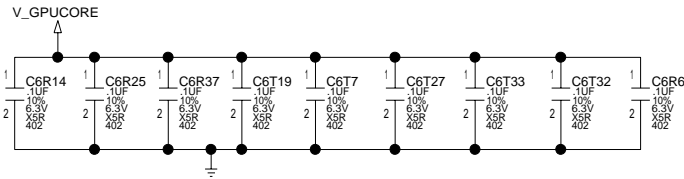
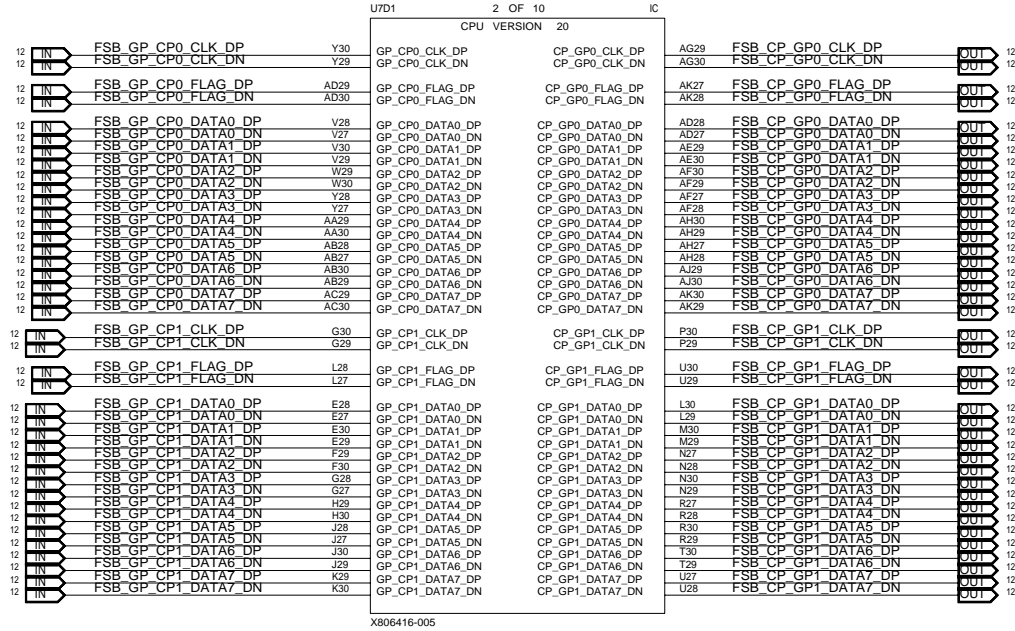
LAYOUT: MUST BE ACCESSIBLE

[PAGE\_TITLE=CPU, CLOCKS + EEPROM + STRAPPING]

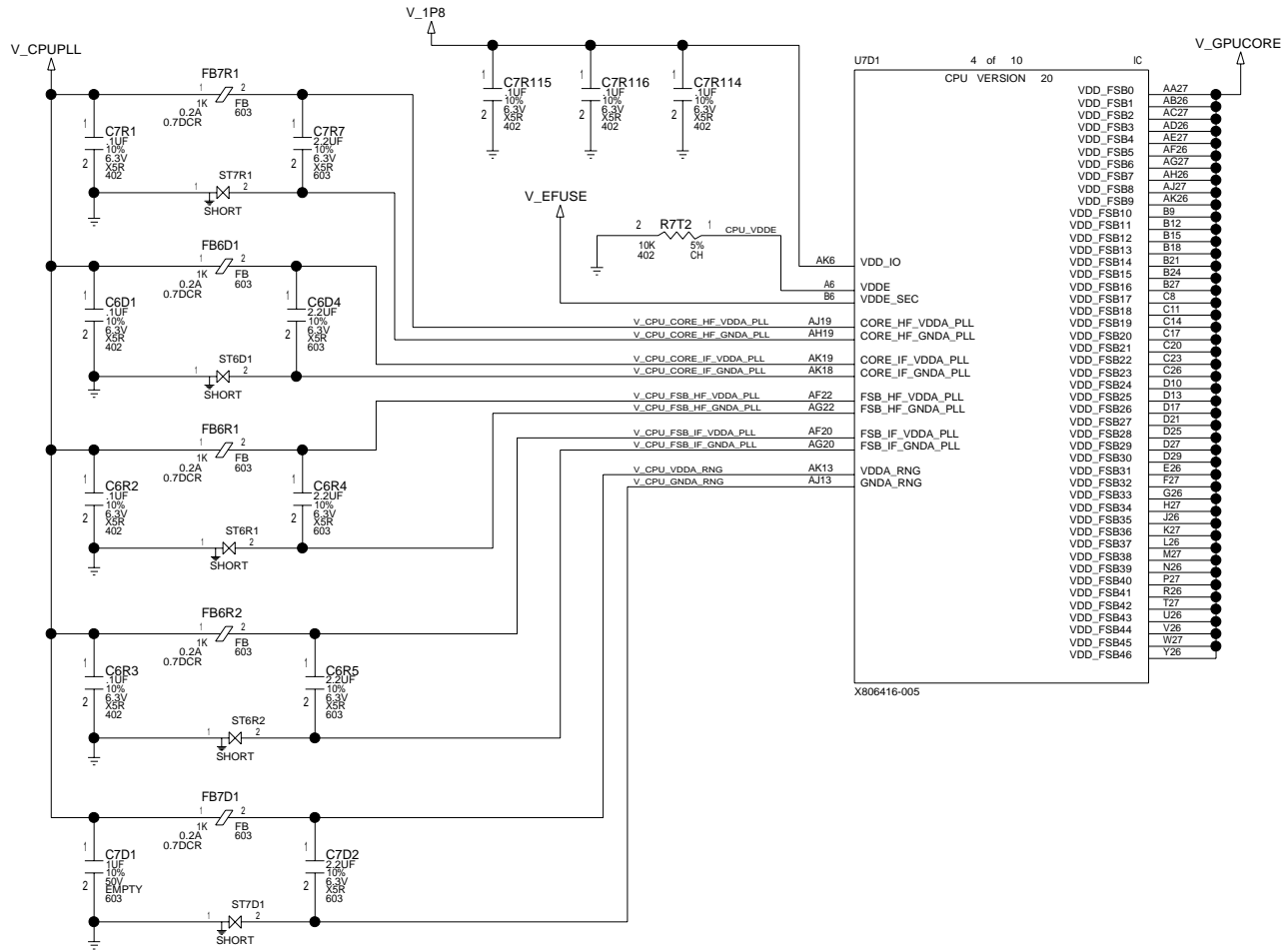
DRAWING  
 XENON\_FABK  
 Thu Sep 14 16:32:13 2006

MICROSOFT CONFIDENTIAL	PROJECT NAME ZEPHYRA_RETAIL	PAGE 4/78	REV 6.0
---------------------------	--------------------------------	--------------	------------

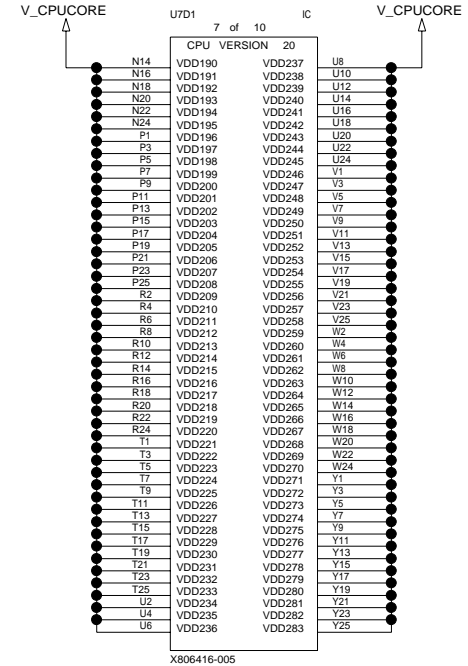
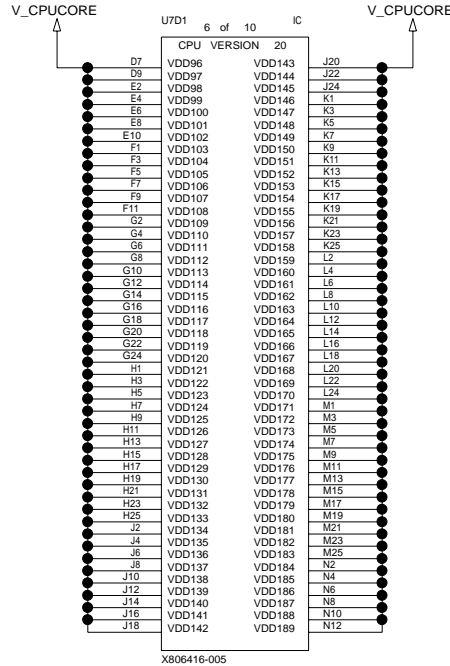
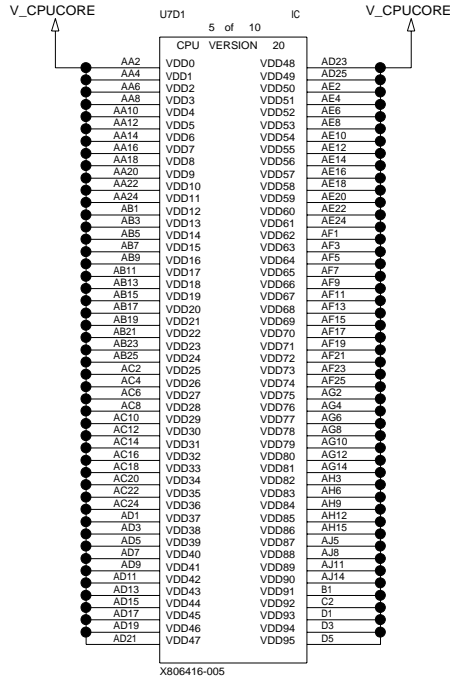
# CPU, FSB



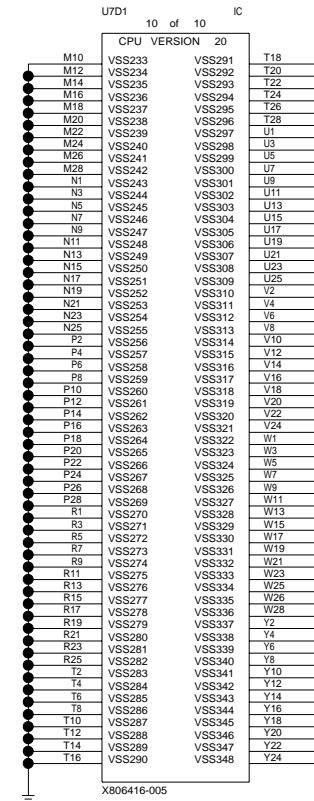
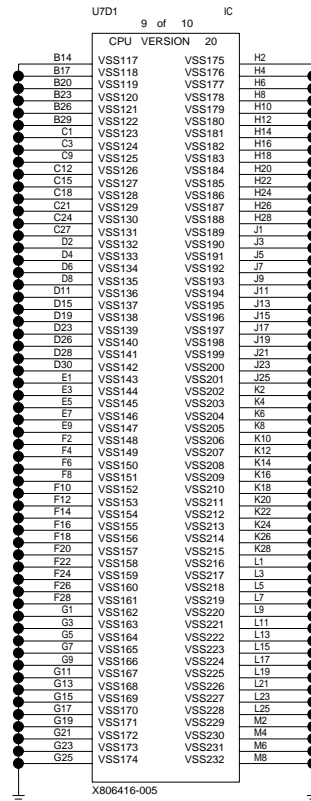
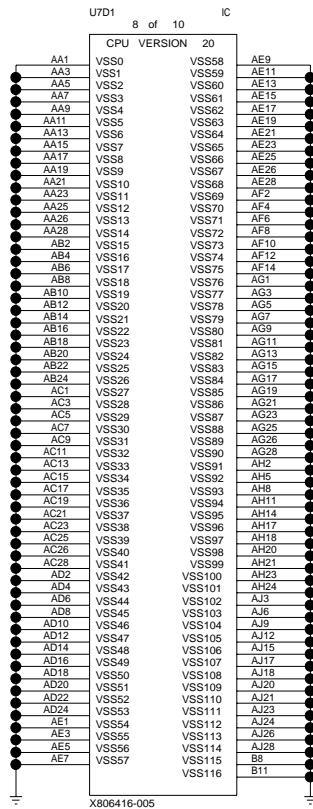
### CPU, FSB POWER + PLL POWER



### CPU, CORE POWER



# CPU, POWER

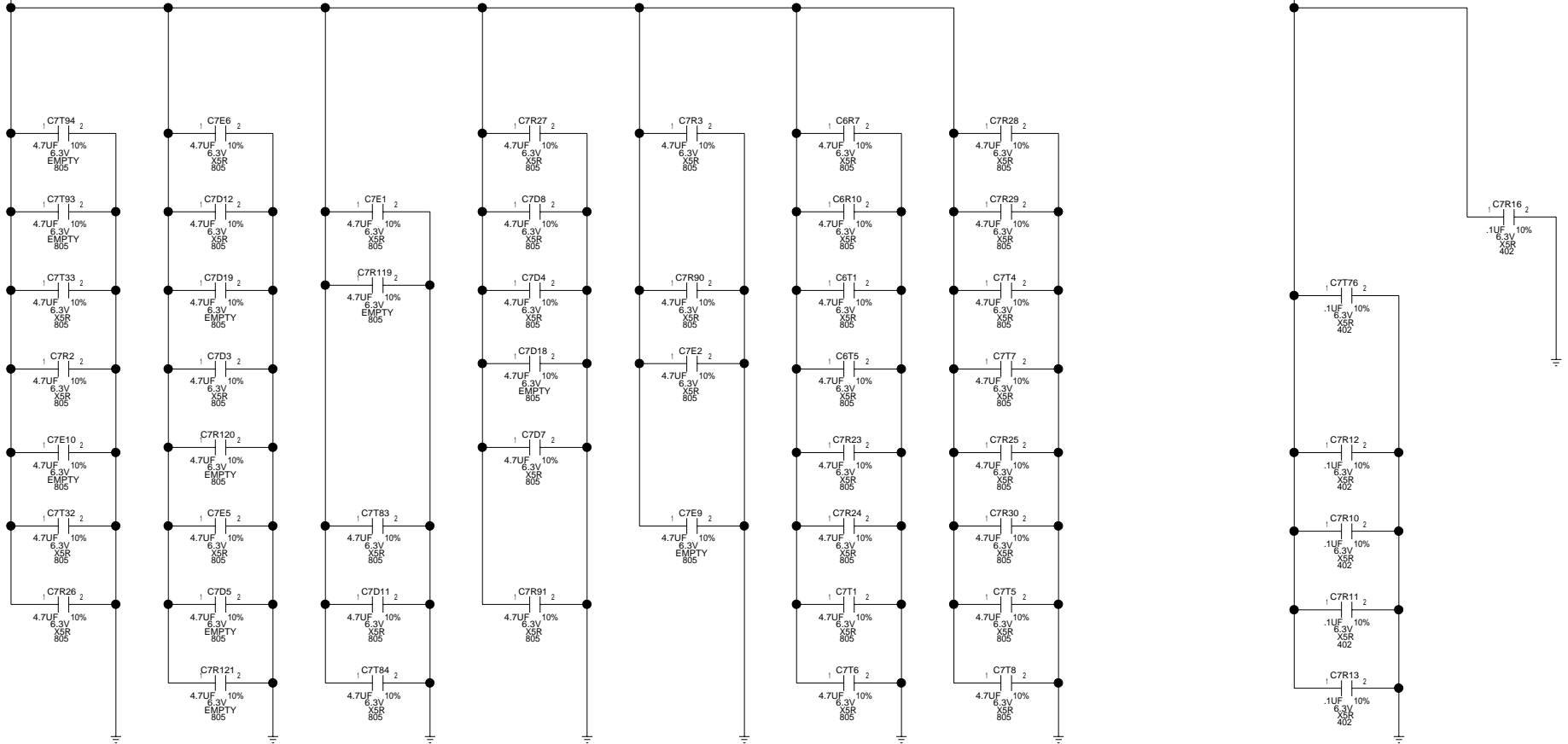




V\_CPUCORE

### CPU, DECOUPLING

V\_CPUCORE



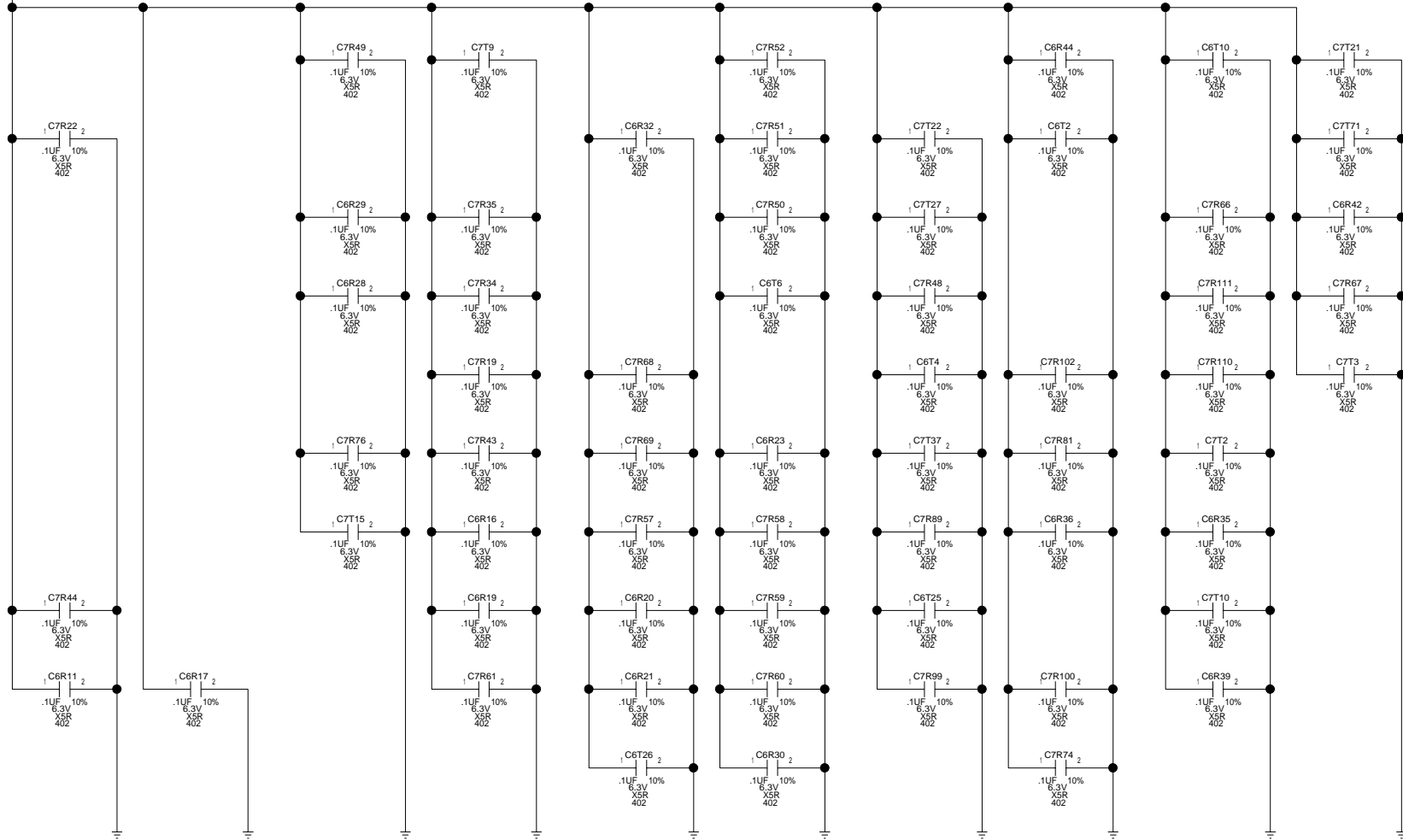
[PAGE\_TITLE=CPU, DECOUPLING]

DRAWING  
XENON\_FABK  
Thu Sep 14 16:32:15 2006

MICROSOFT CONFIDENTIAL	PROJECT NAME ZEPHYRA_RETAIL	PAGE 9/78	REV 6.0
---------------------------	--------------------------------	--------------	------------

V\_CPUCORE

### CPU, DECOUPLING



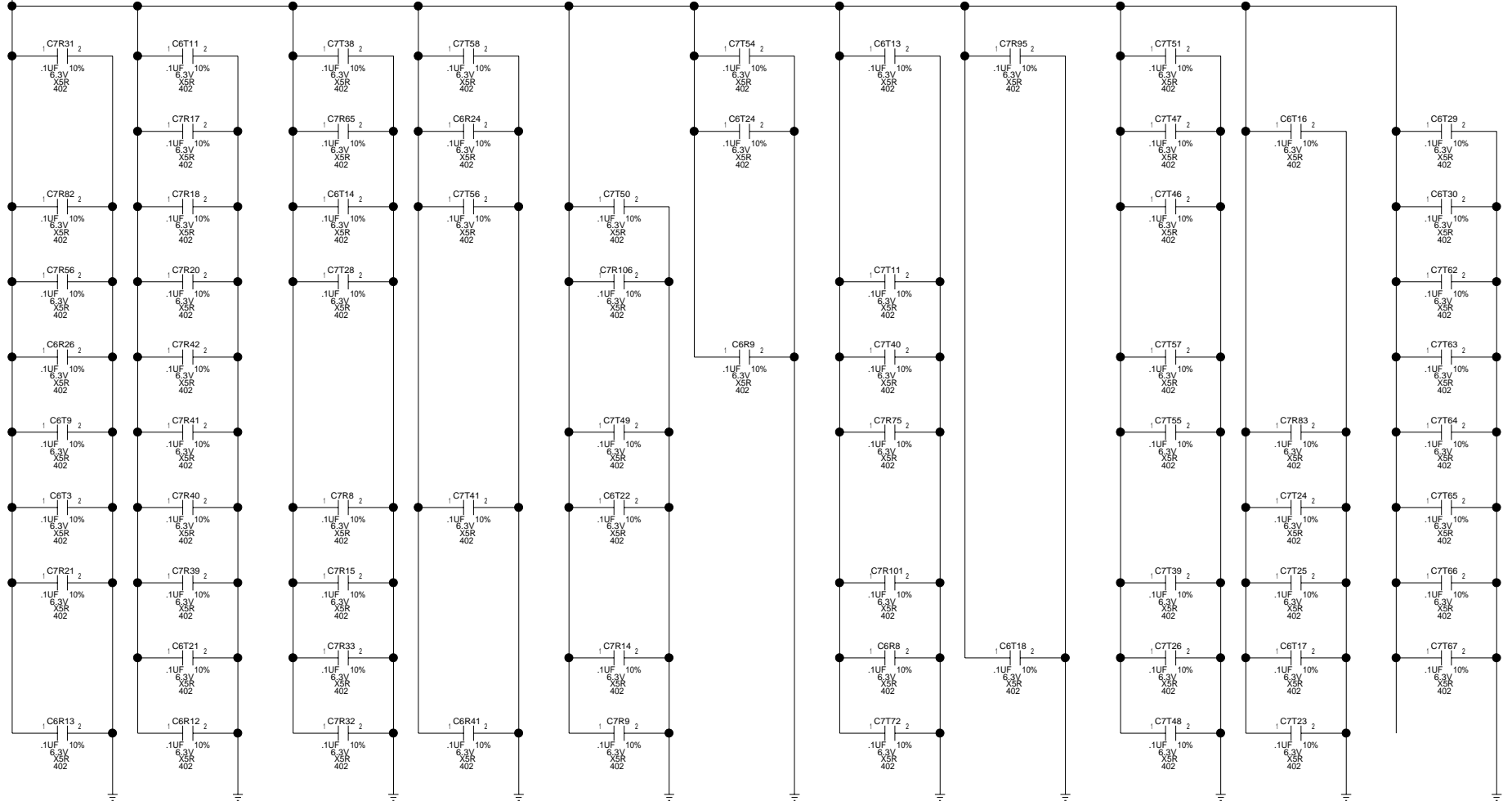
[PAGE\_TITLE=CPU, DECOUPLING]

DRAWING  
XENON\_FABK  
Thu Sep 14 16:32:15 2006

MICROSOFT CONFIDENTIAL	PROJECT NAME ZEPHYRA_RETAIL	PAGE 10/78	REV 6.0
---------------------------	--------------------------------	---------------	------------

V\_CPUCORE

### CPU, DECOUPLING

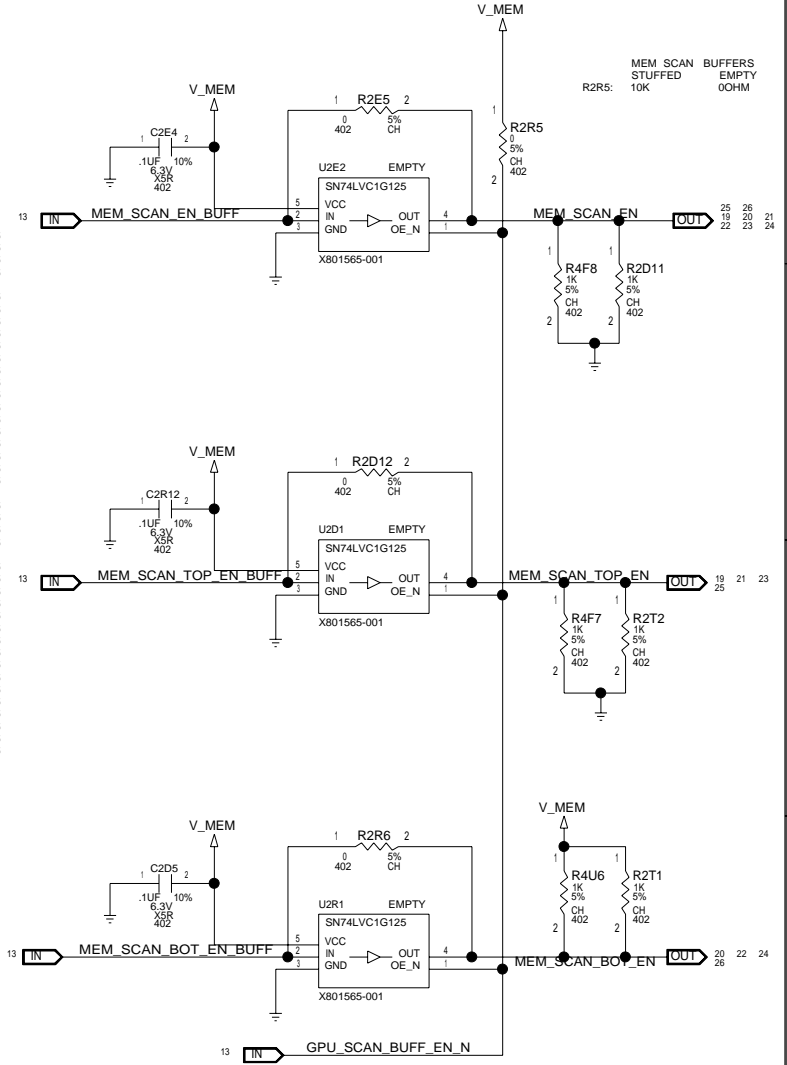
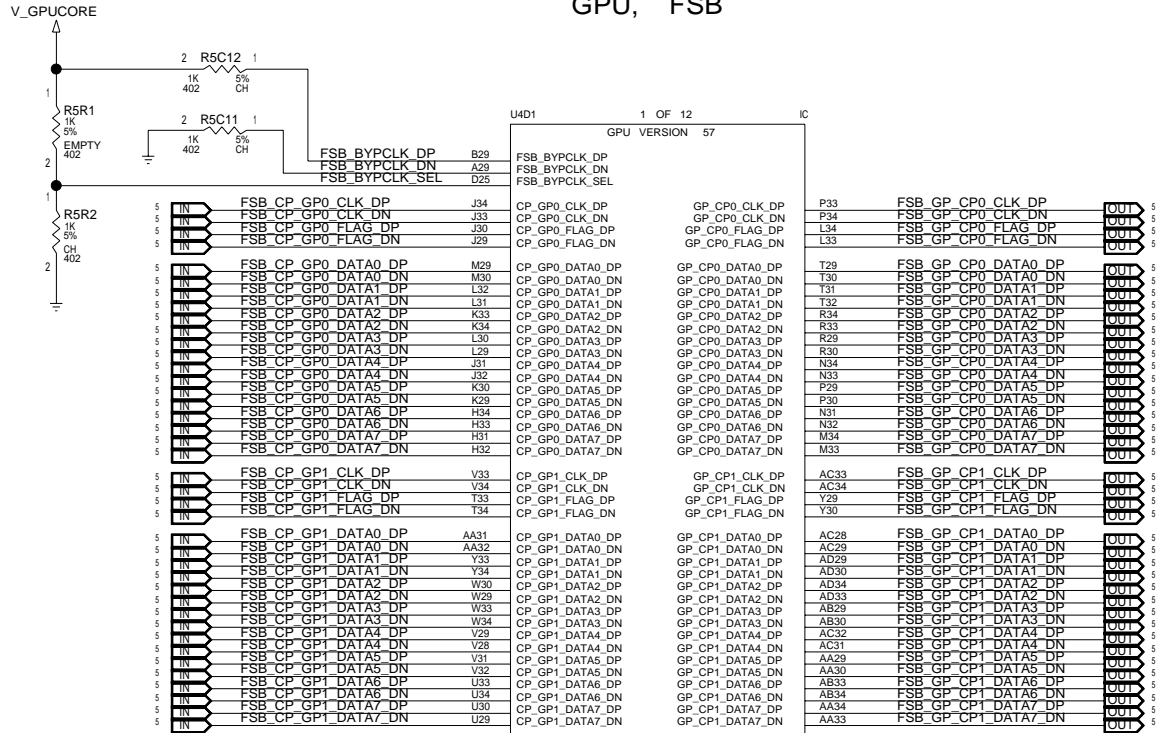


[PAGE\_TITLE=CPU, DECOUPLING]

DRAWING XENON\_FABK Thu Sep 14 16:32:15 2006

MICROSOFT CONFIDENTIAL	PROJECT NAME ZEPHYRA_RETAIL	PAGE 11/78	REV 6.0
---------------------------	--------------------------------	---------------	------------

### GPU, FSB

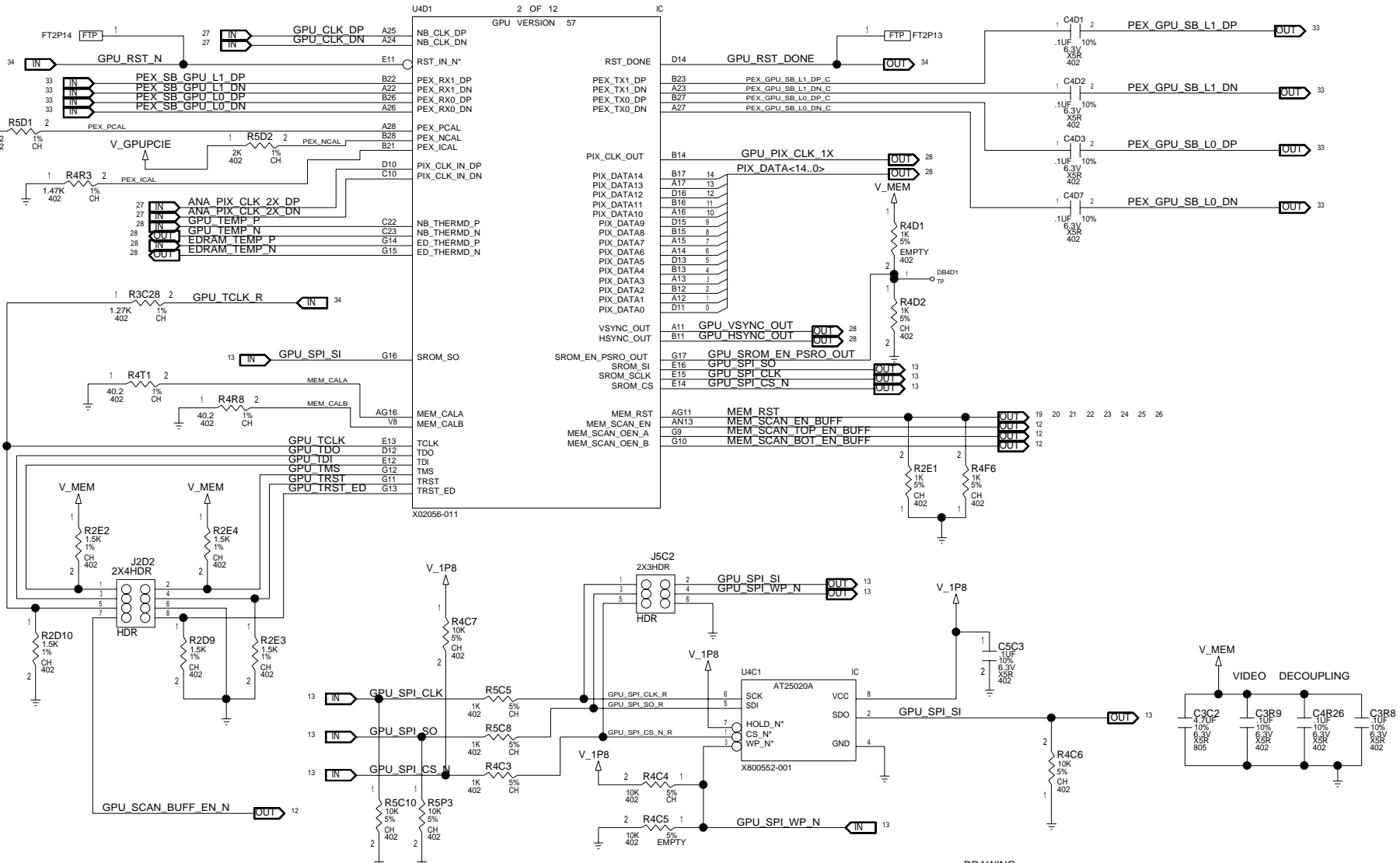


[PAGE\_TITLE=GPU, FSB]

DRAWING  
XENON\_FABR  
Thu Sep 14 16:32:15 2006

MICROSOFT CONFIDENTIAL	PROJECT NAME ZEPHYRA_RETAIL	PAGE 12/78	REV 6.0
---------------------------	--------------------------------	---------------	------------

### GPU, VIDEO + PCIEX + EEPROM + JTAG

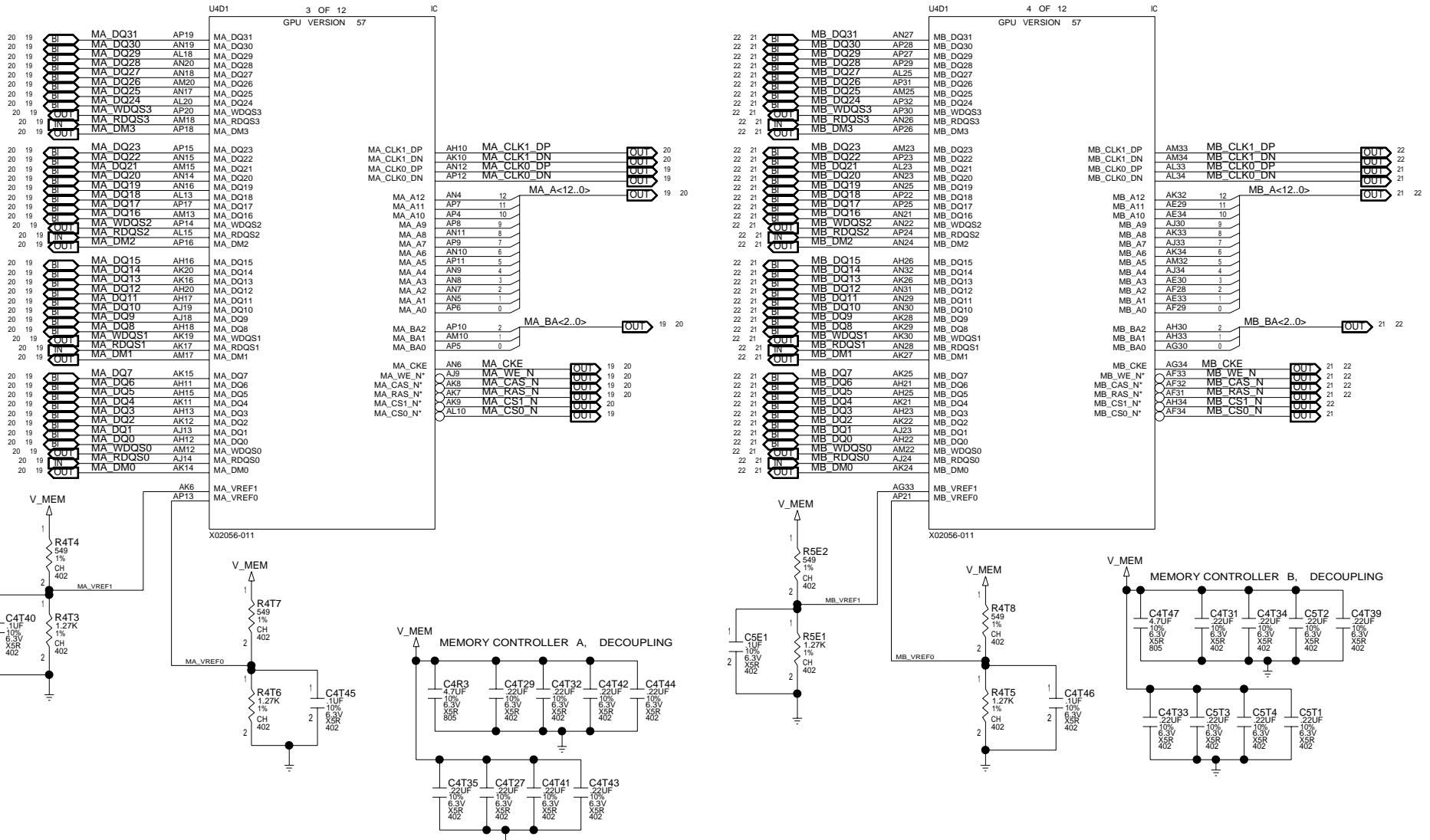


[PAGE\_TITLE=GPU, VIDEO + PCIEX + EEPROM + JTAG]

DRAWING XENON\_FABK Thu Sep 14 16:32:16 2006

MICROSOFT CONFIDENTIAL	PROJECT NAME ZEPHYRA_RETAIL	PAGE 13/78	REV 6.0
---------------------------	--------------------------------	---------------	------------

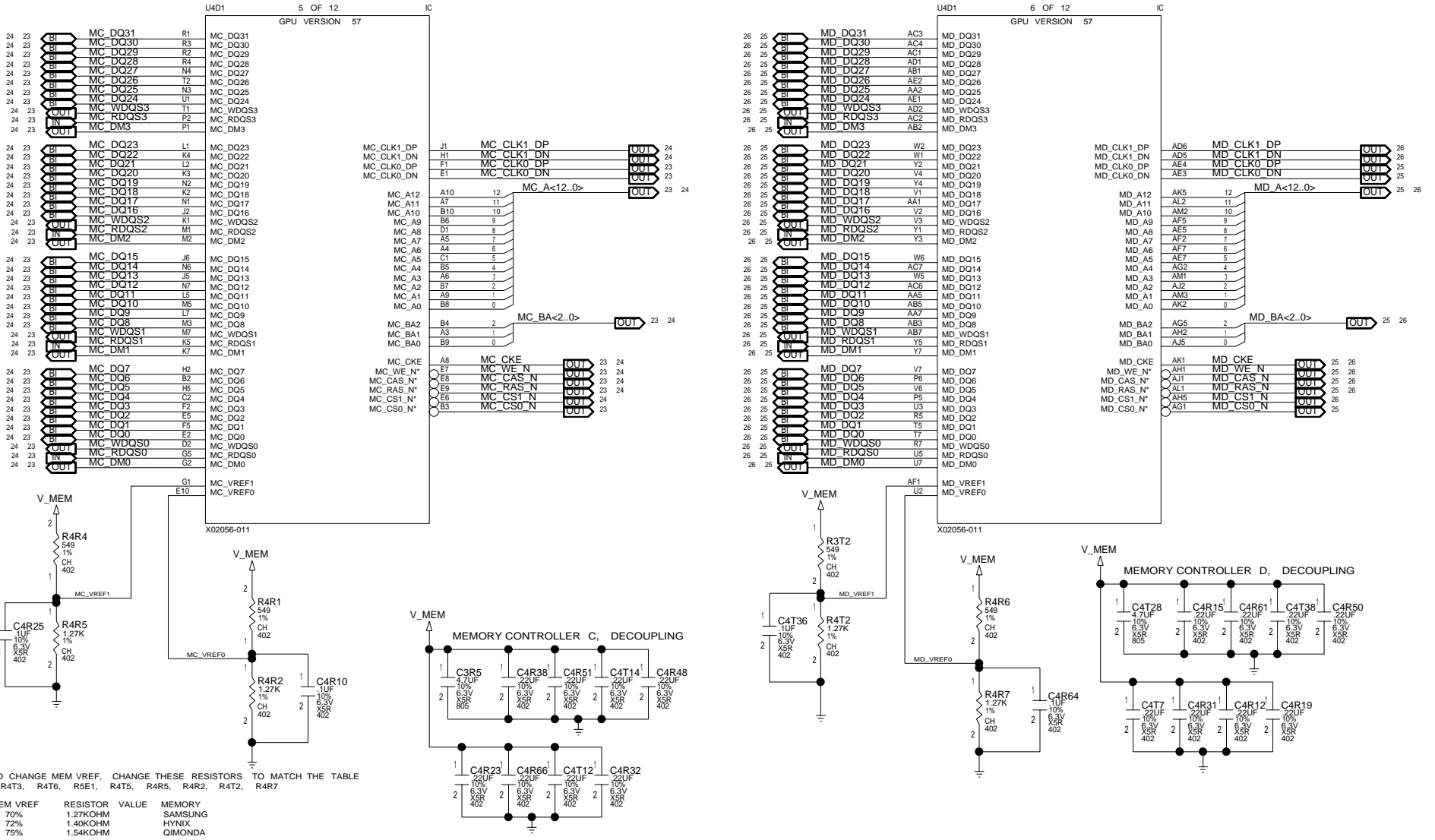
## GPU, MEMORY CONTROLLER 0 PARTITION A & B



[PAGE\_TITLE=GPU, MEMORY CONTROLLER A + B]

MICROSOFT  
CONFIDENTIAL

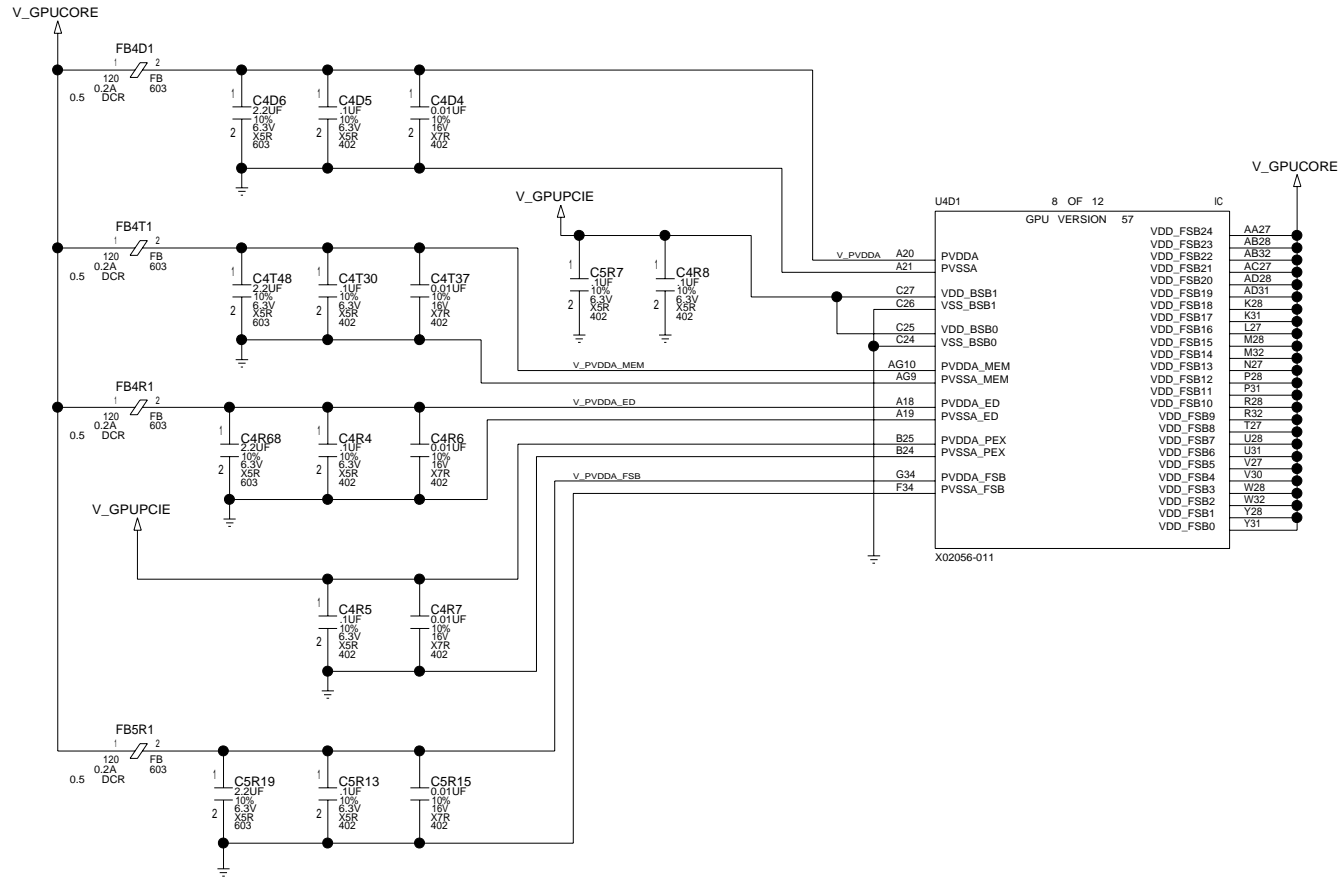
## GPU, MEMORY CONTROLLER 1 PARTITION C & D



TO CHANGE MEM VREF, CHANGE THESE RESISTORS TO MATCH THE TABLE  
 R4T3, R4T6, R5E1, R4T5, R4R5, R4R2, R4T2, R4R7

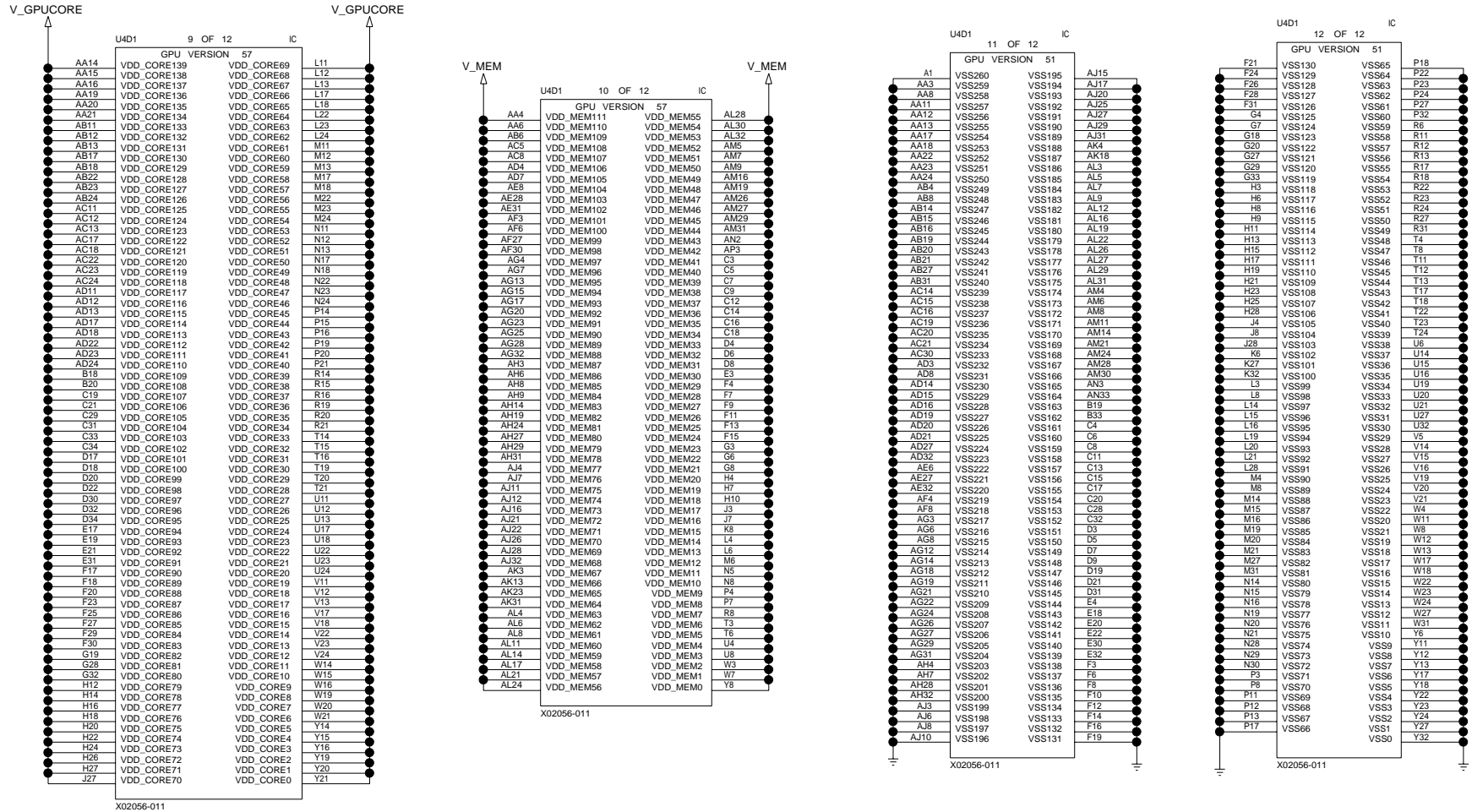
MEM VREF	RESISTOR VALUE	MEMORY
70%	1.27KOHM	SAMSUNG
72%	1.40KOHM	HYNIX
75%	1.54KOHM	QIMONDA

### GPU, PLL POWER + FSB POWER





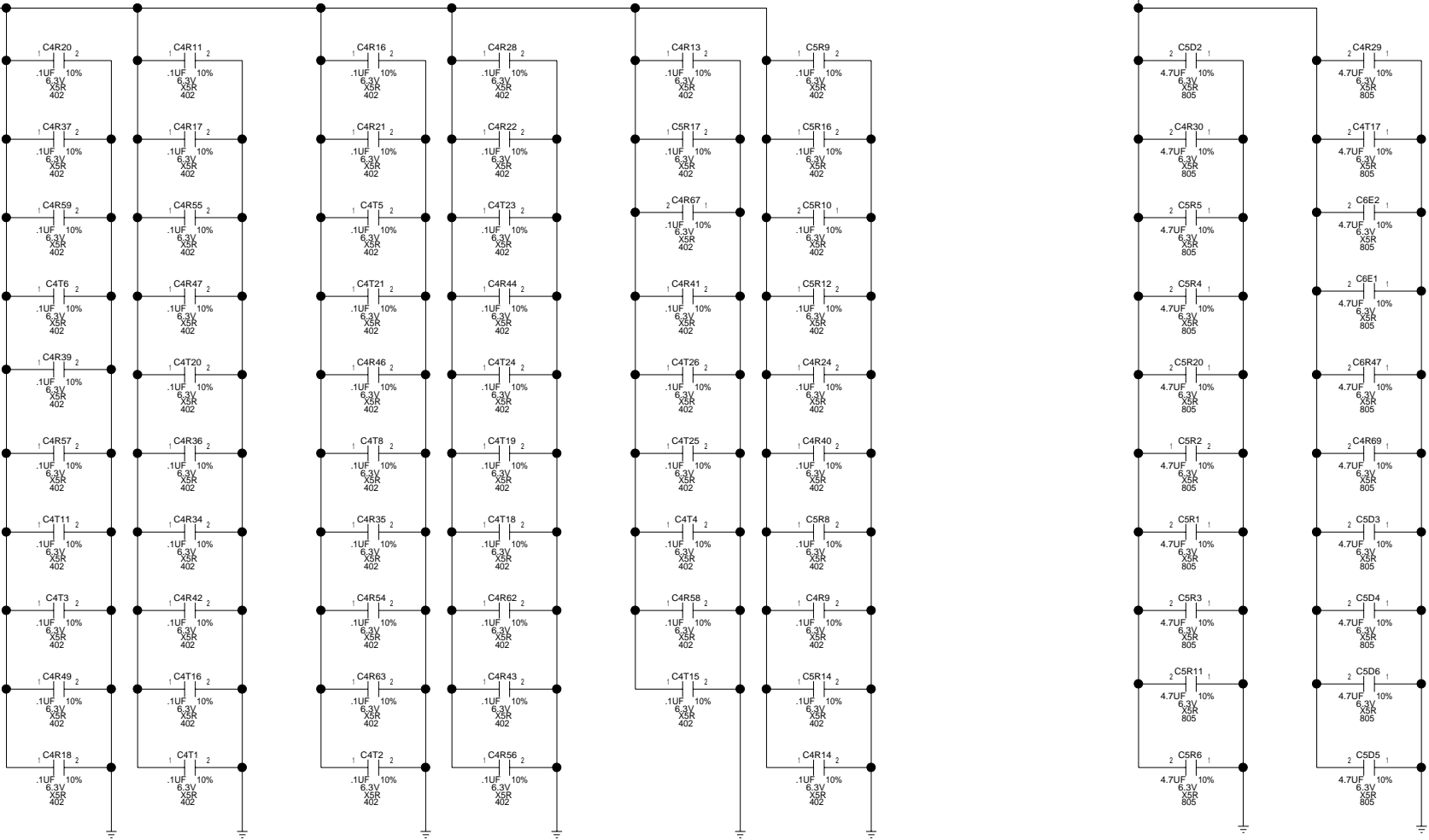
### GPU, CORE POWER + MEM POWER



### GPU, DECOUPLING

V\_GPUCORE

V\_GPUCORE



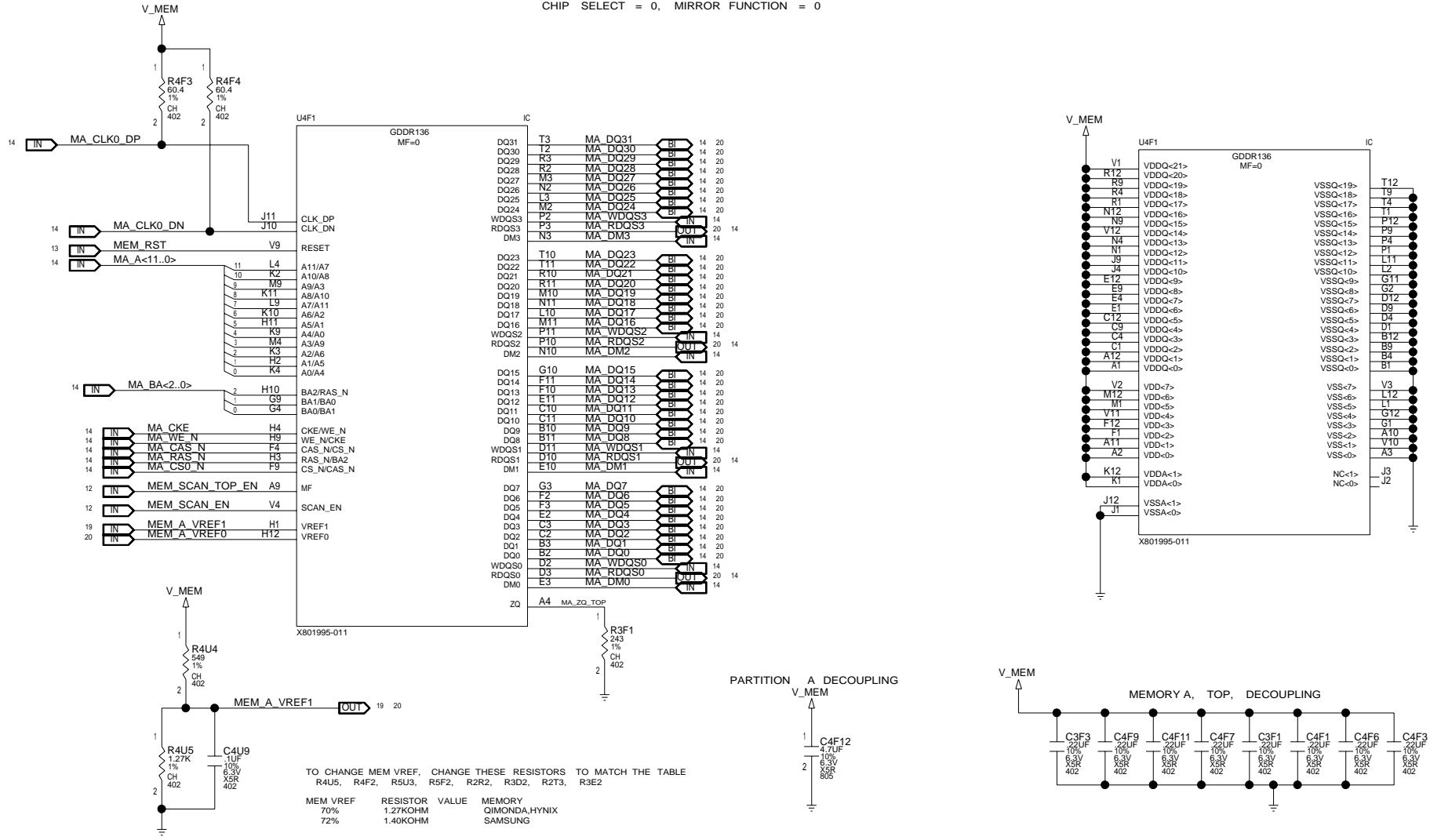
[PAGE\_TITLE=GPU, DECOUPLING]

DRAWING  
XENON\_FABK  
Thu Sep 14 16:32:18 2006

MICROSOFT CONFIDENTIAL	PROJECT NAME ZEPHYRA_RETAIL	PAGE 18/78	REV 6.0
---------------------------	--------------------------------	---------------	------------

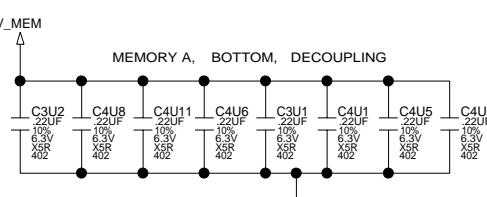
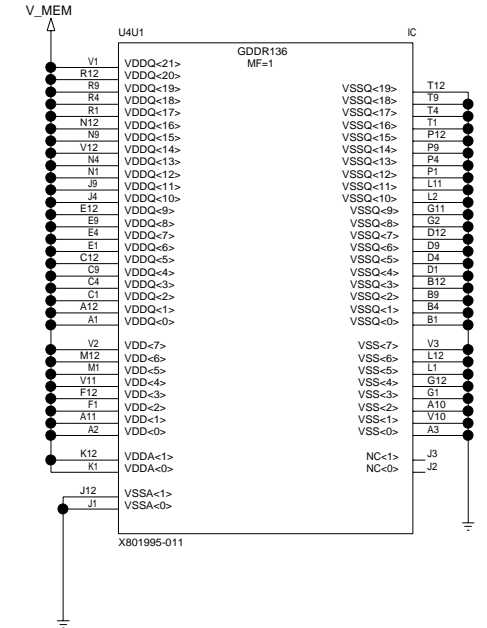
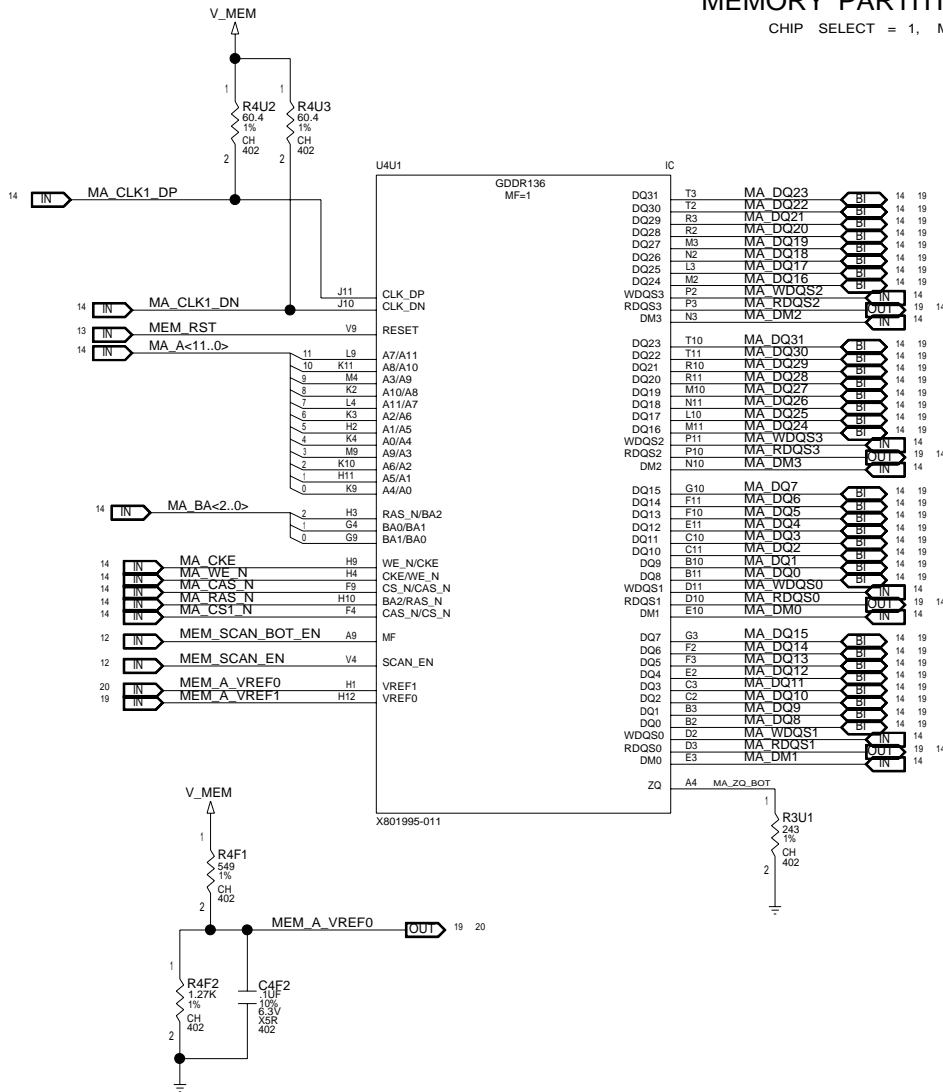
## MEMORY PARTITION A, TOP

CHIP SELECT = 0, MIRROR FUNCTION = 0



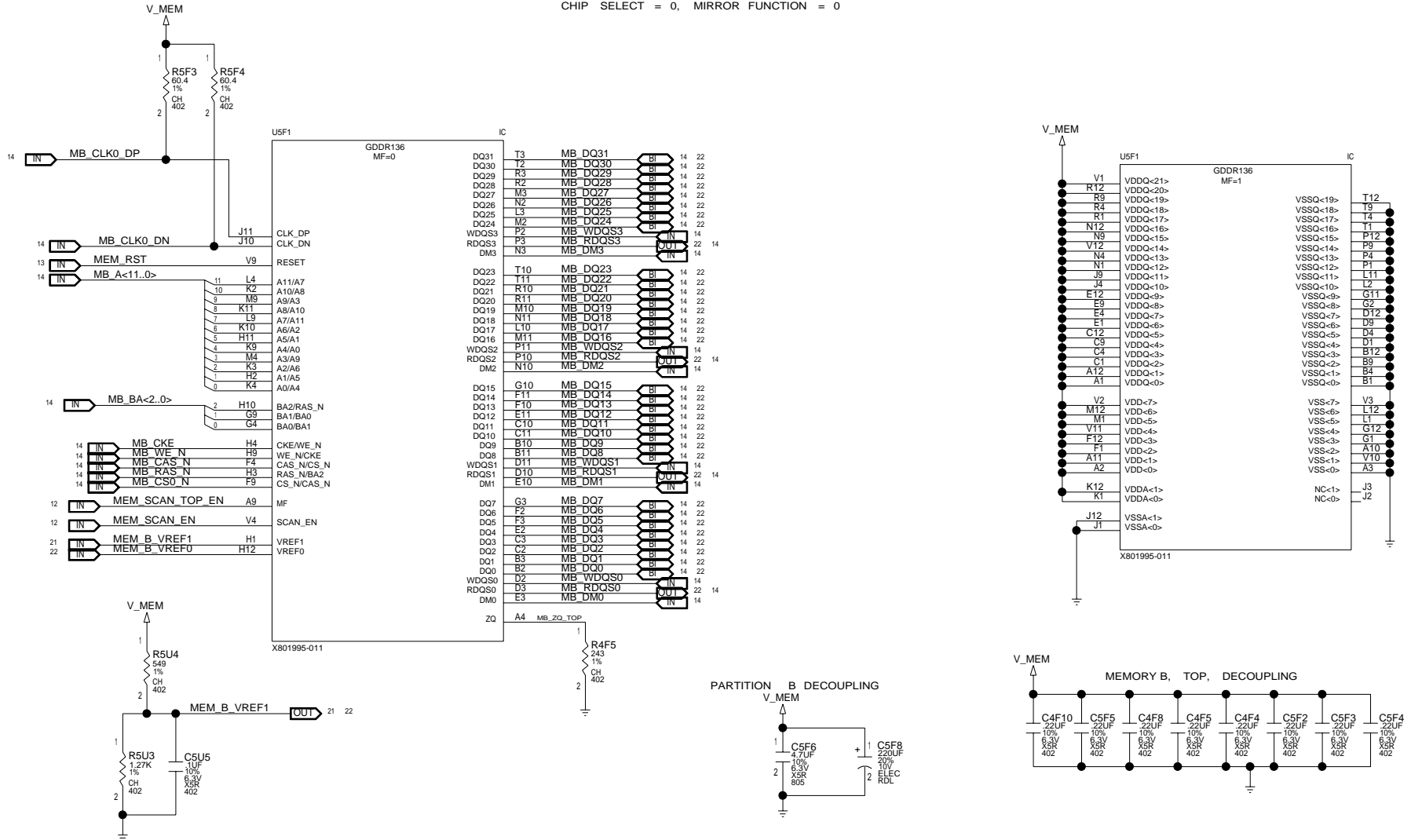
# MEMORY PARTITION A, BOTTOM

CHIP SELECT = 1, MIRROR FUNCTION = 1



# MEMORY PARTITION B, TOP

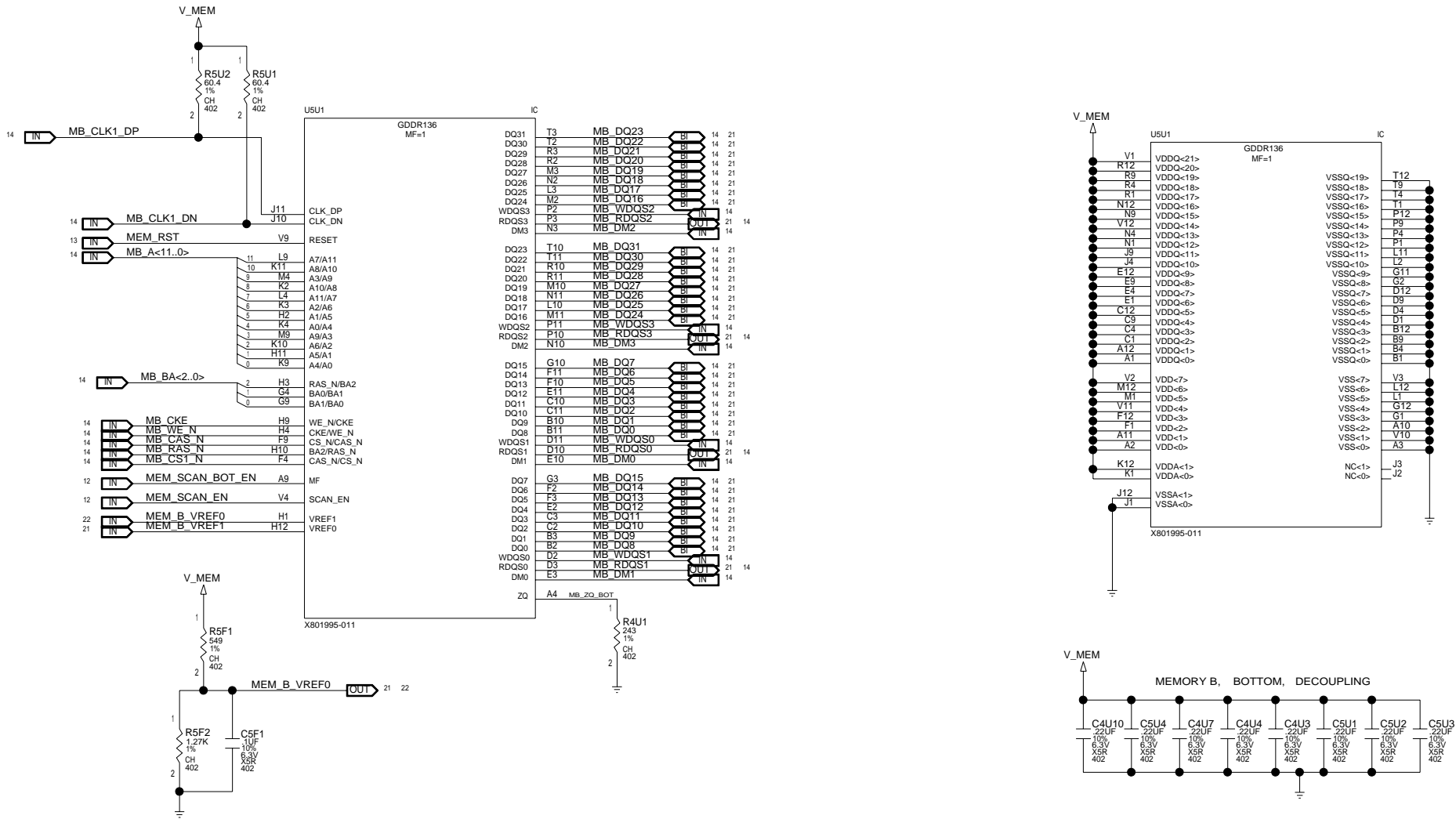
CHIP SELECT = 0, MIRROR FUNCTION = 0



[PAGE\_TITLE=MEMORY PARTITION A, BOTTOM]

### MEMORY PARTITION B, BOTTOM

CHIP SELECT = 1, MIRROR FUNCTION = 1



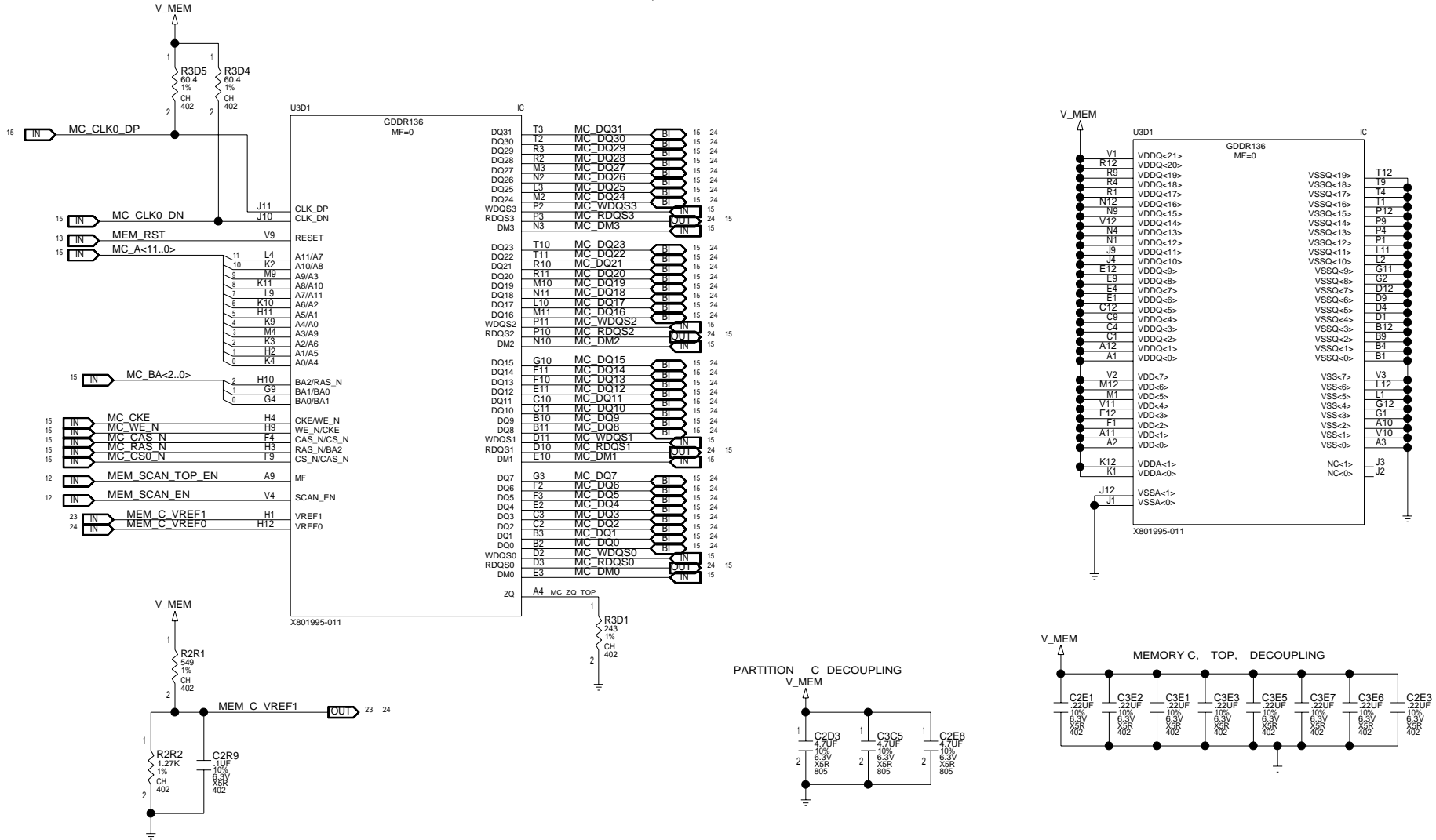
[PAGE\_TITLE=MEMORY PARTITION B, TOP]

DRAWING XENON\_FABK Thu Sep 14 16:32:19 2006

MICROSOFT CONFIDENTIAL	PROJECT NAME ZEPHYRA_RETAIL	PAGE 22/78	REV 6.0
------------------------	-----------------------------	------------	---------

# MEMORY PARTITION C, TOP

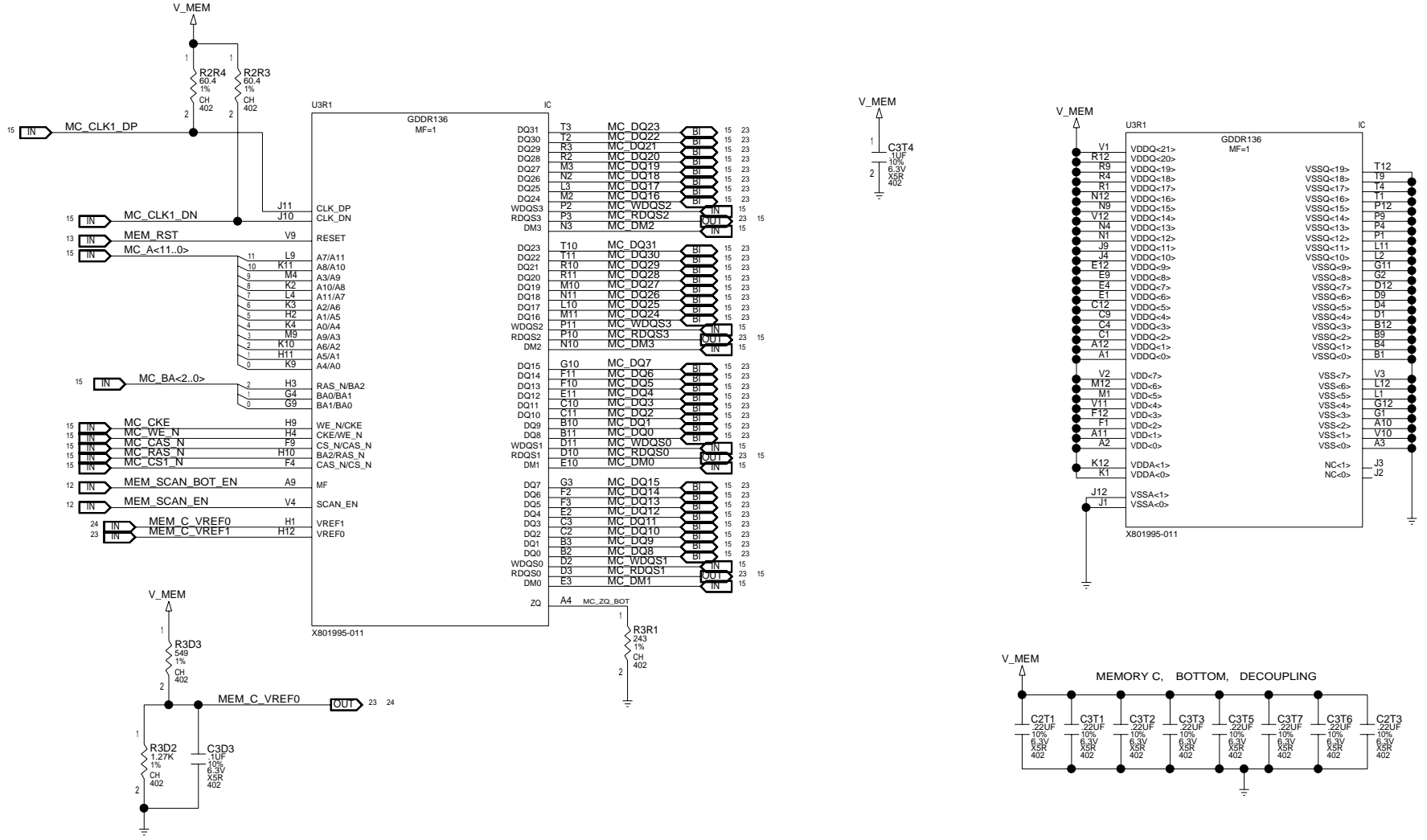
CHIP SELECT = 0, MIRROR FUNCTION = 0



[PAGE\_TITLE=MEMORY PARTITION B, BOTTOM]

## MEMORY PARTITION C, BOTTOM

CHIP SELECT = 1, MIRROR FUNCTION = 1

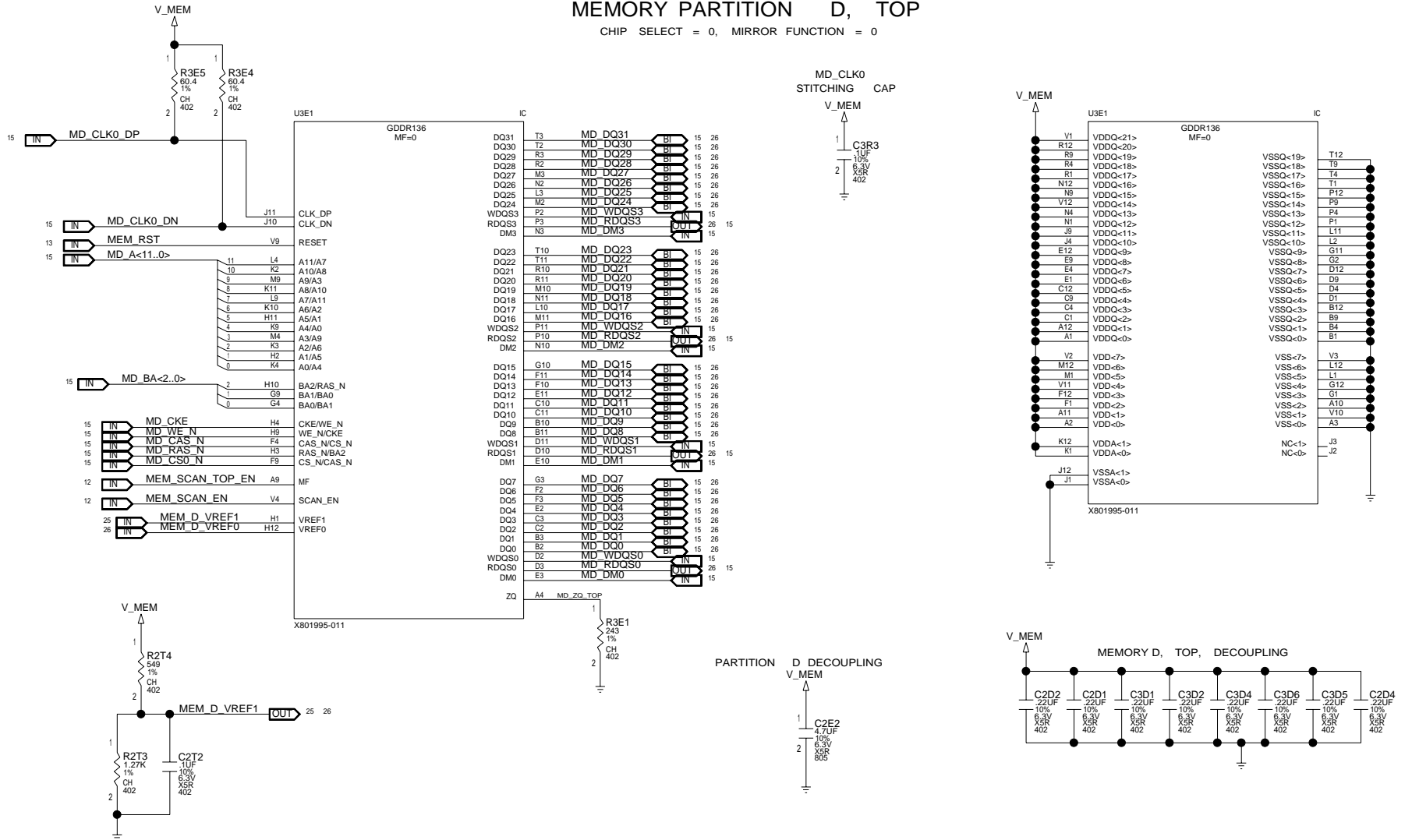


[PAGE\_TITLE=MEMORY PARTITION C, TOP]



# MEMORY PARTITION D, TOP

CHIP SELECT = 0, MIRROR FUNCTION = 0



[PAGE\_TITLE=MEMORY PARTITION C, BOTTOM]

DRAWING  
XENON\_FABK  
Thu Sep 14 16:32:20 2006

MICROSOFT CONFIDENTIAL	PROJECT NAME ZEPHYRA_RETAIL	PAGE 25/78	REV 6.0
---------------------------	--------------------------------	---------------	------------

## MEMORY PARTITION D, BOTTOM

CHIP SELECT = 1, MIRROR FUNCTION = 1

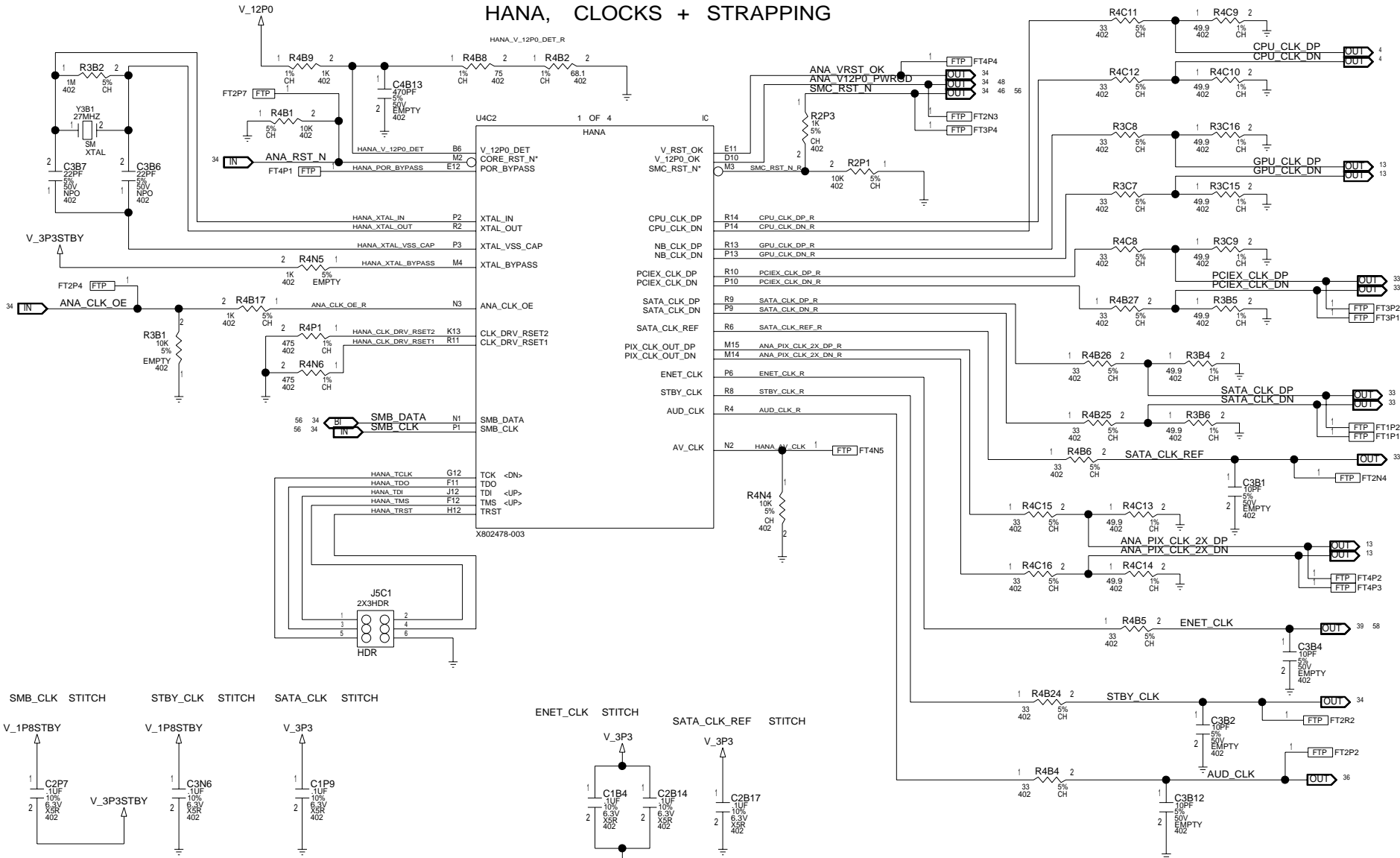


[PAGE\_TITLE=MEMORY PARTITION D, TOP]

DRAWING  
XENON\_FABK  
Thu Sep 14 16:32:20 2006

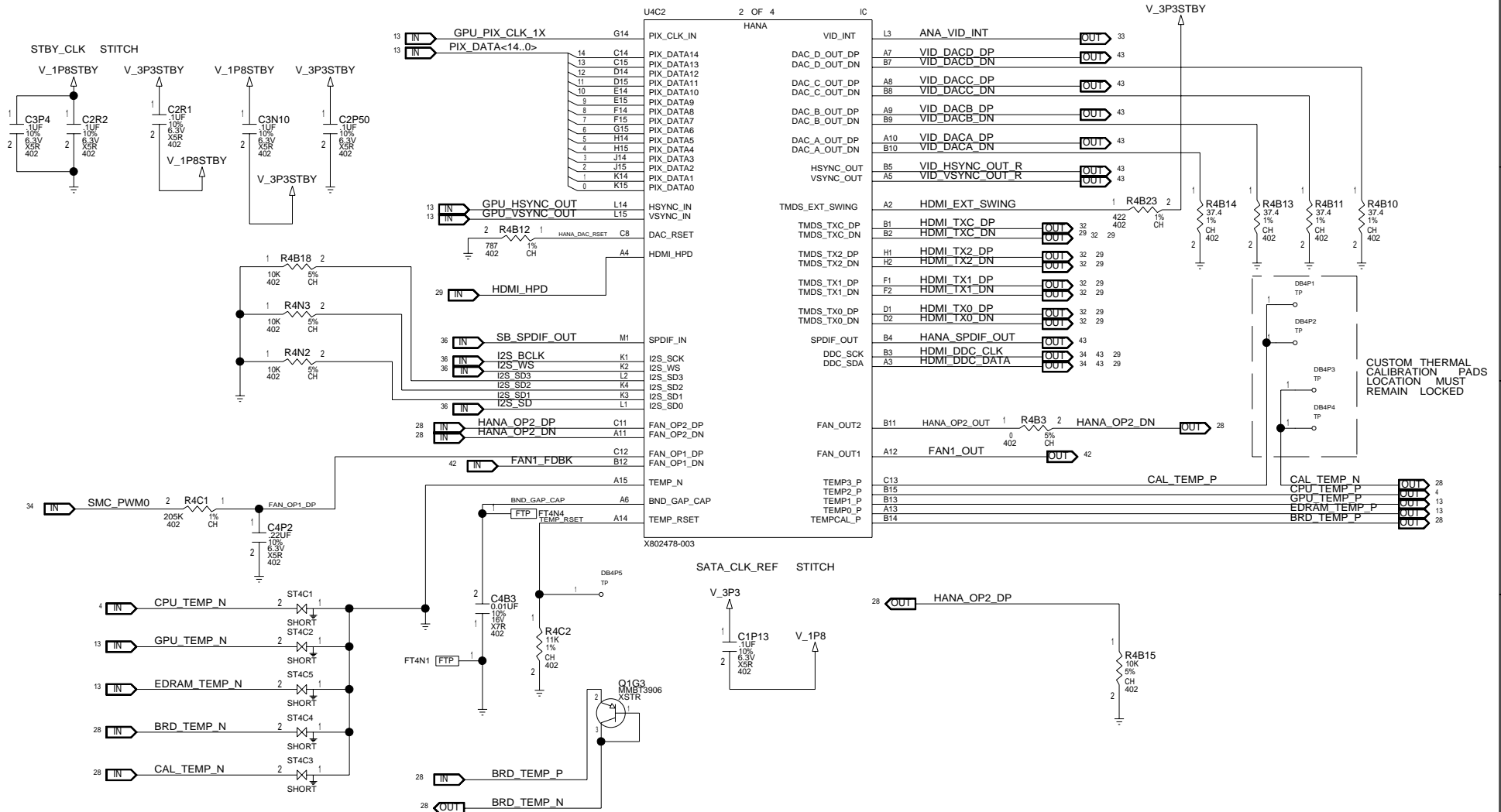
MICROSOFT CONFIDENTIAL	PROJECT NAME ZEPHYRA_RETAIL	PAGE 26/78	REV 6.0
---------------------------	--------------------------------	---------------	------------

# HANA, CLOCKS + STRAPPING



[PAGE\_TITLE=HANA, CLOCKS + STRAPPING]

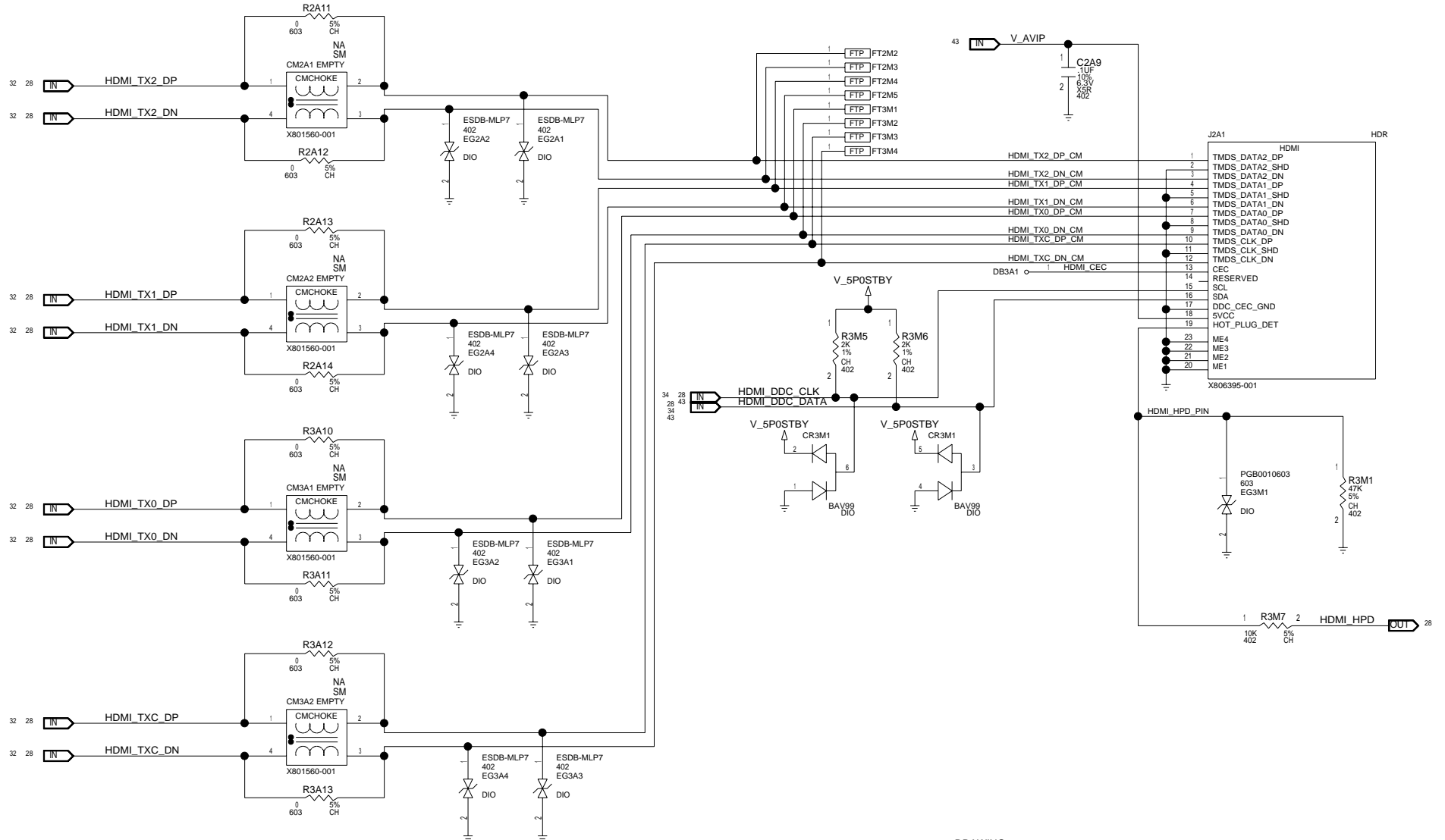
### HANA, VIDEO + FAN + JTAG



[PAGE\_TITLE=HANA, VIDEO + FAN + JTAG]

DRAWING XENON\_FABK Thu Sep 14 16:32:21 2006

MICROSOFT CONFIDENTIAL	PROJECT NAME ZEPHYRA_RETAIL	PAGE 28/78	REV 6.0
------------------------	-----------------------------	------------	---------

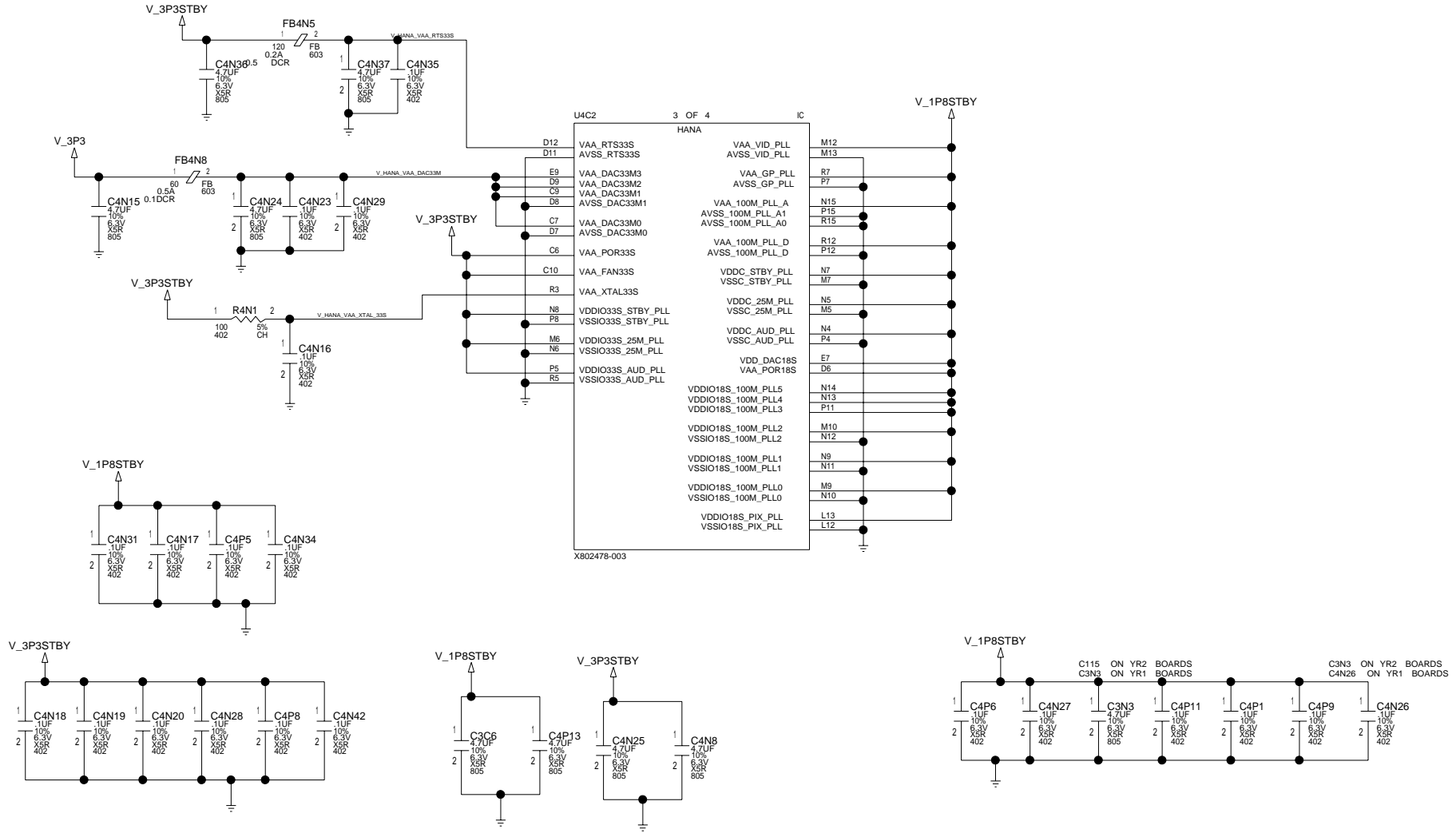


[PAGE\_TITLE=CONN, HDMI]

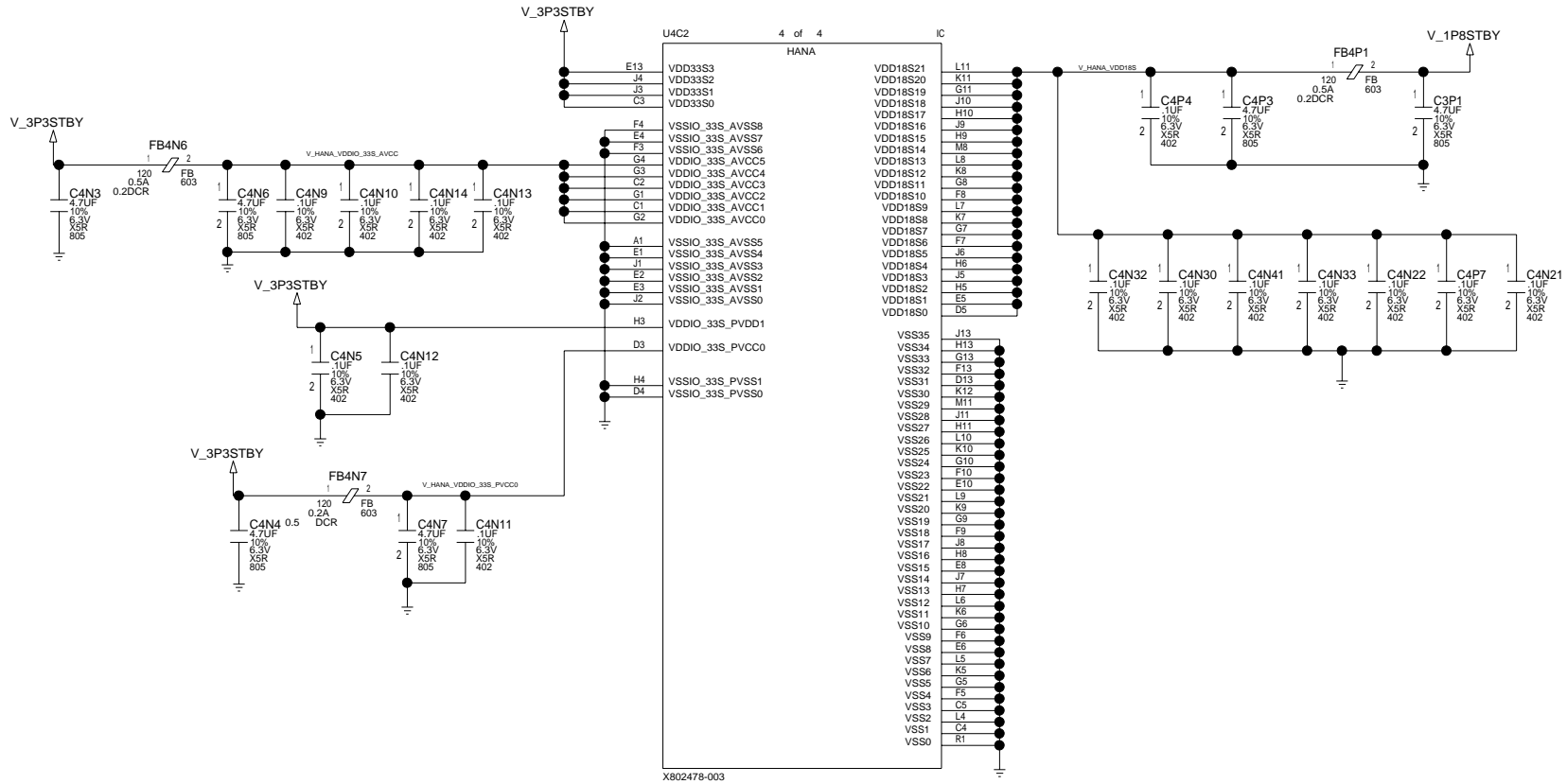
DRAWING  
XENON\_FABK  
Thu Sep 14 16:32:21 2006

MICROSOFT CONFIDENTIAL	PROJECT NAME ZEPHYRA_RETAIL	PAGE 29/78	REV 6.0
---------------------------	--------------------------------	---------------	------------

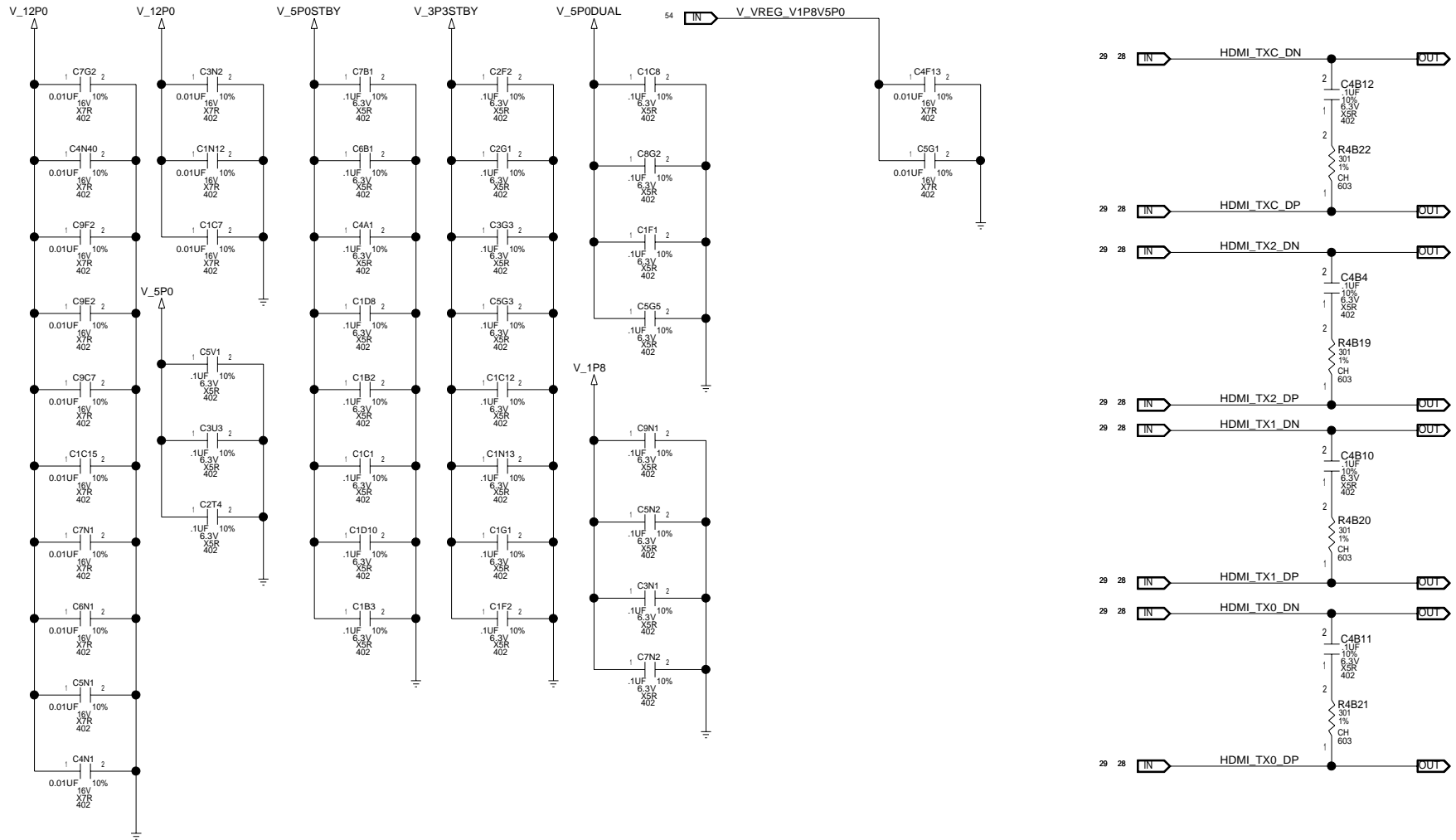
### HANA, POWER + DECOUPLING



### HANA, POWER + DECOUPLING



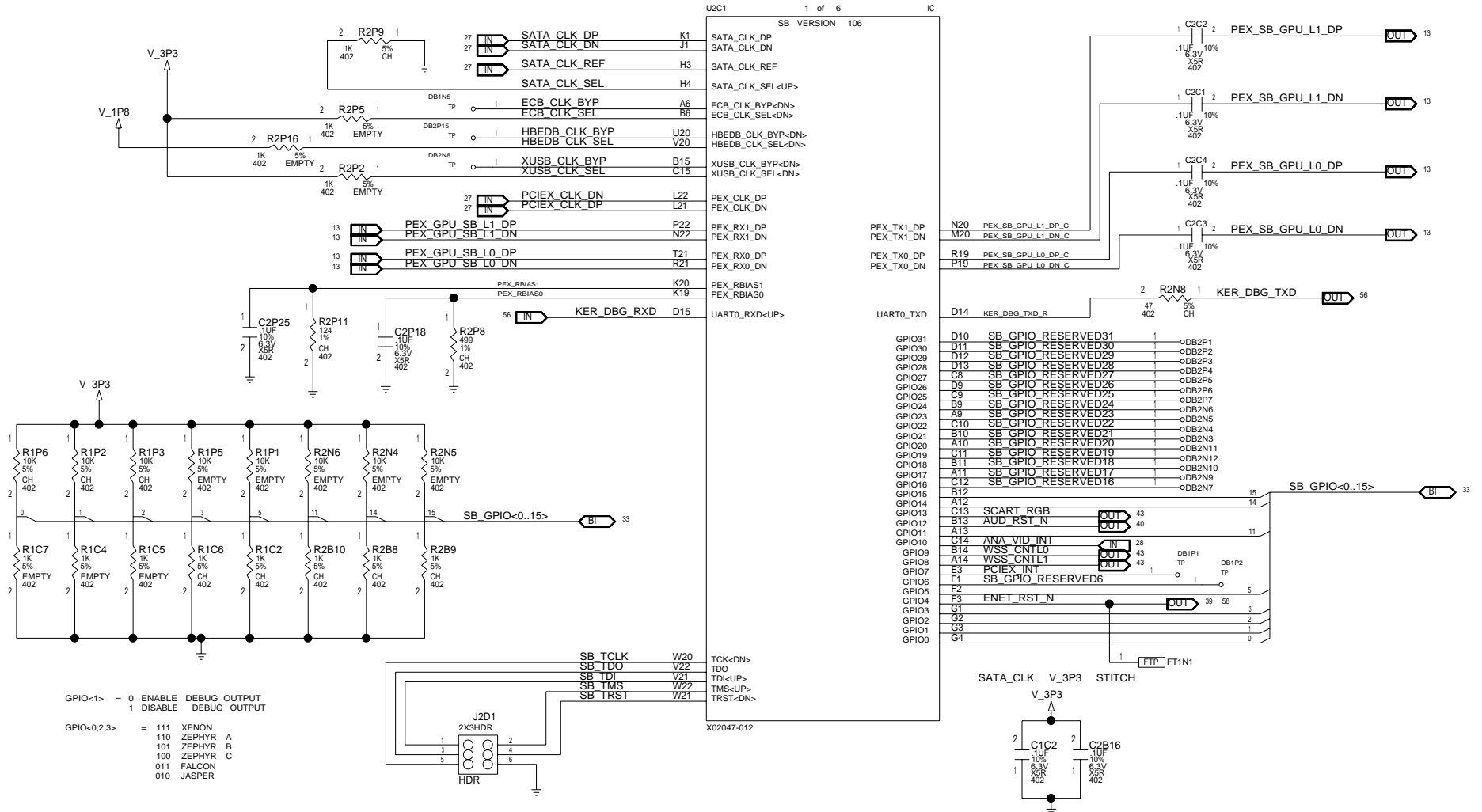
### POWER TRACE DECOUPLING





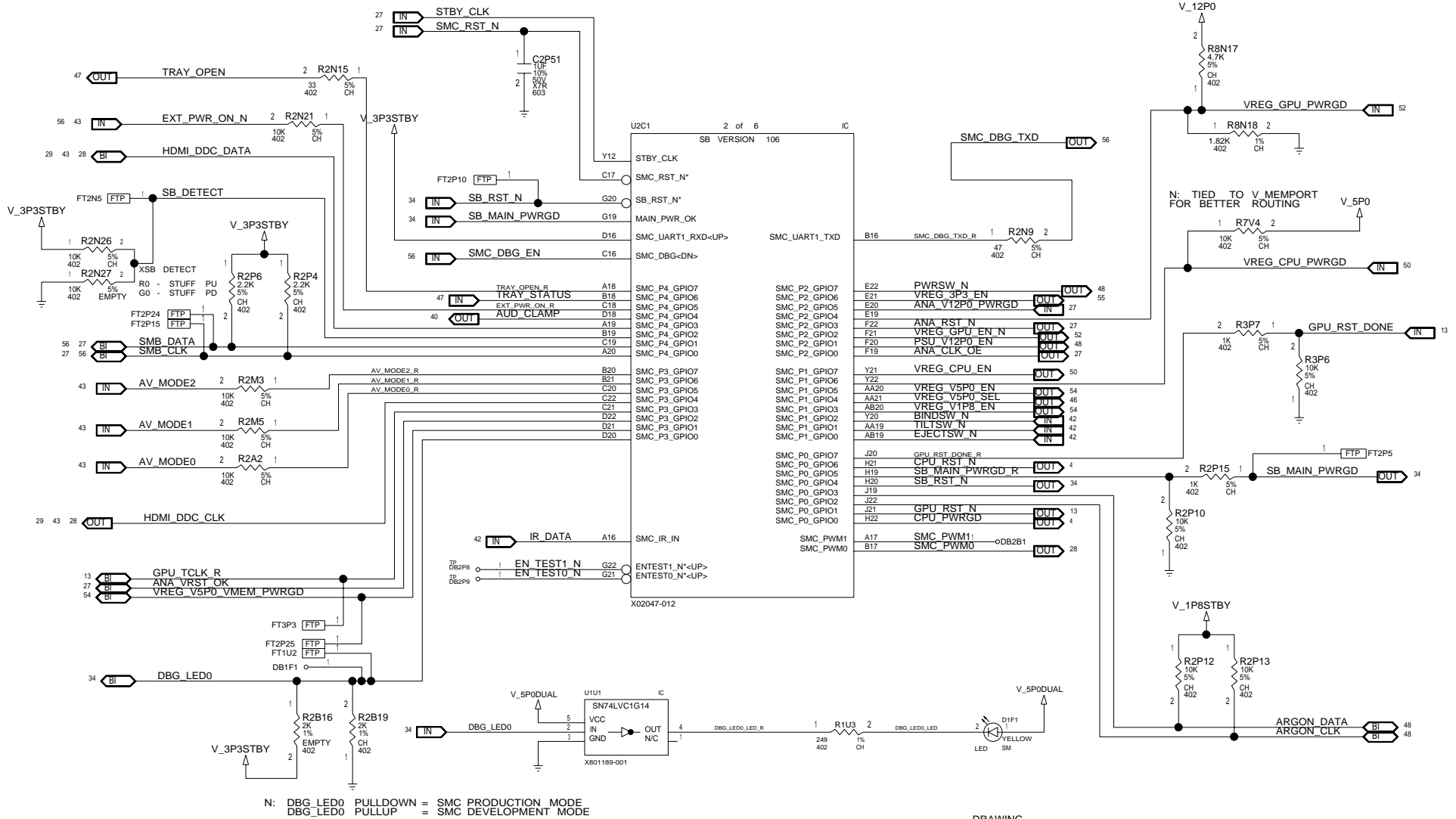
ADB:ADD CONFIG TABLE

### SB, PCIEX + SMM GPIO + JTAG



[PAGE\_TITLE=SB, PCIEX + SMM GPIO + JTAG]

### SB, SMC



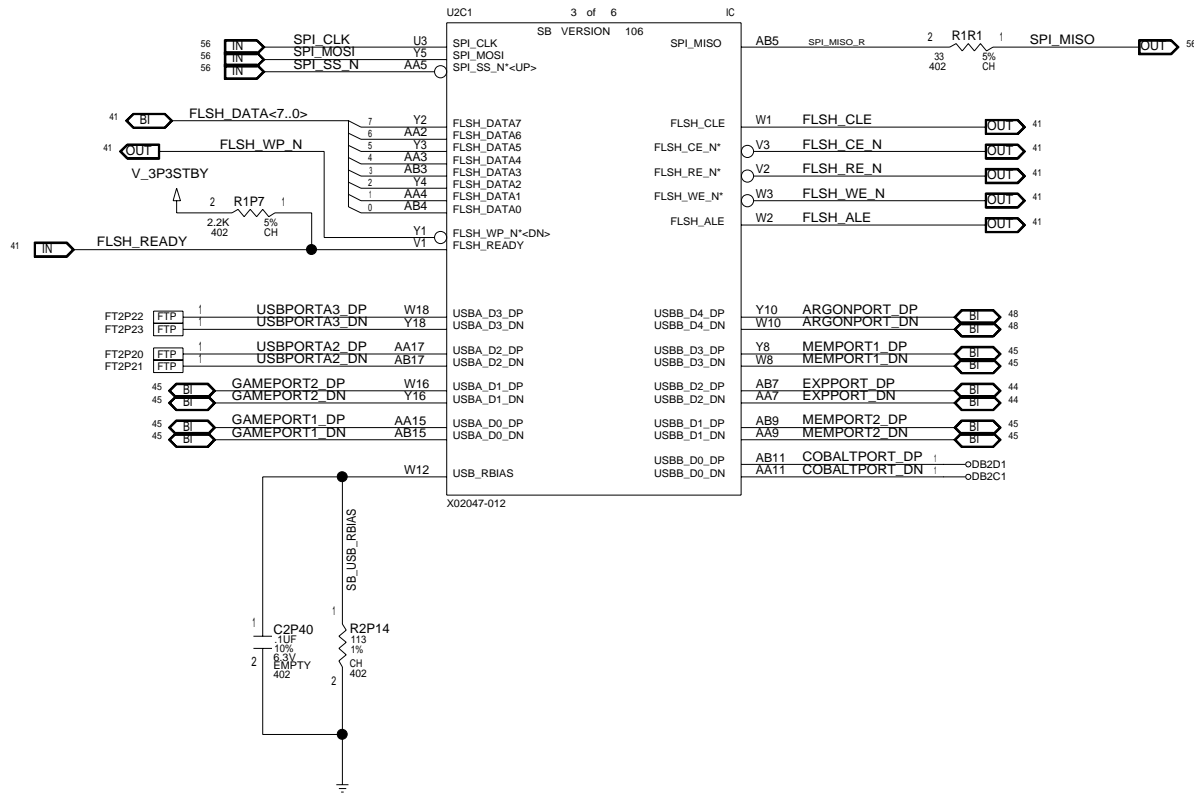
N: DBG\_LED0 PULLDOWN = SMC PRODUCTION MODE  
 DBG\_LED0 PULLUP = SMC DEVELOPMENT MODE

[PAGE\_TITLE=SB, SMC]

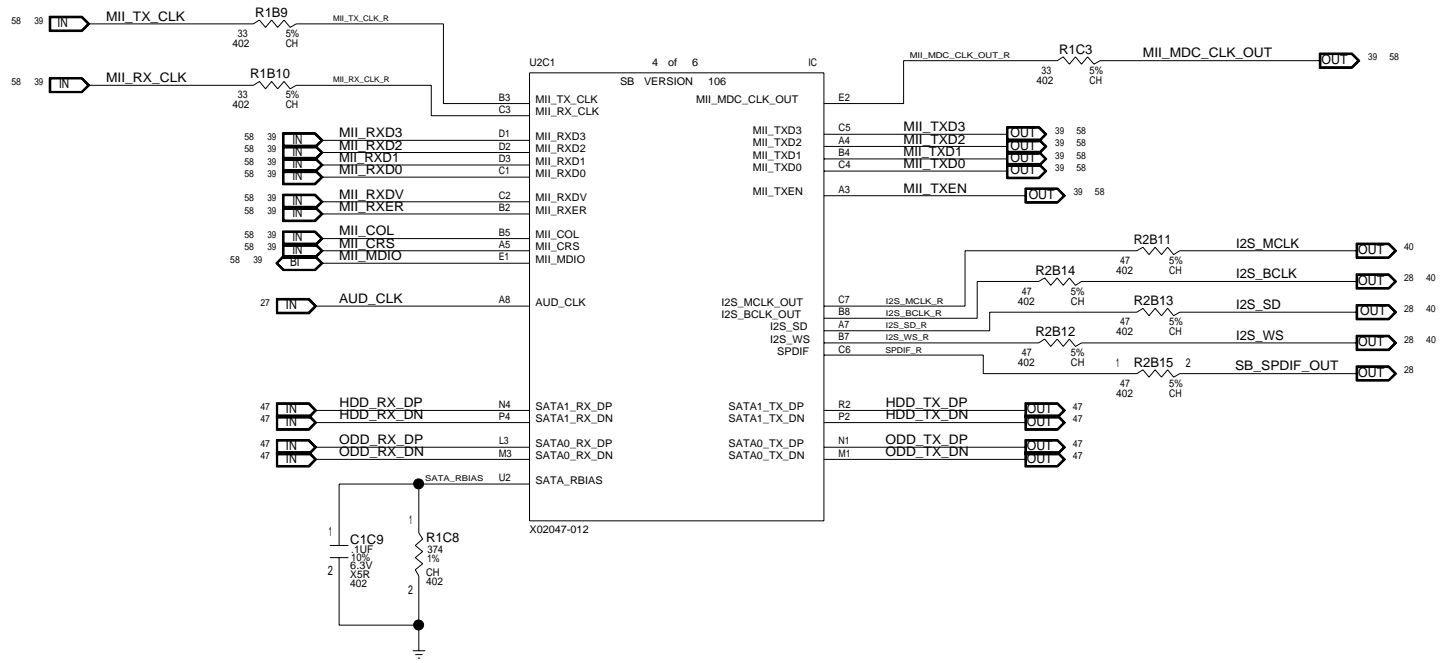
DRAWING XENON\_FABK Thu Sep 14 16:32:23 2006

MICROSOFT CONFIDENTIAL	PROJECT NAME ZEPHYRA_RETAIL	PAGE 34/78	REV 6.0
------------------------	-----------------------------	------------	---------

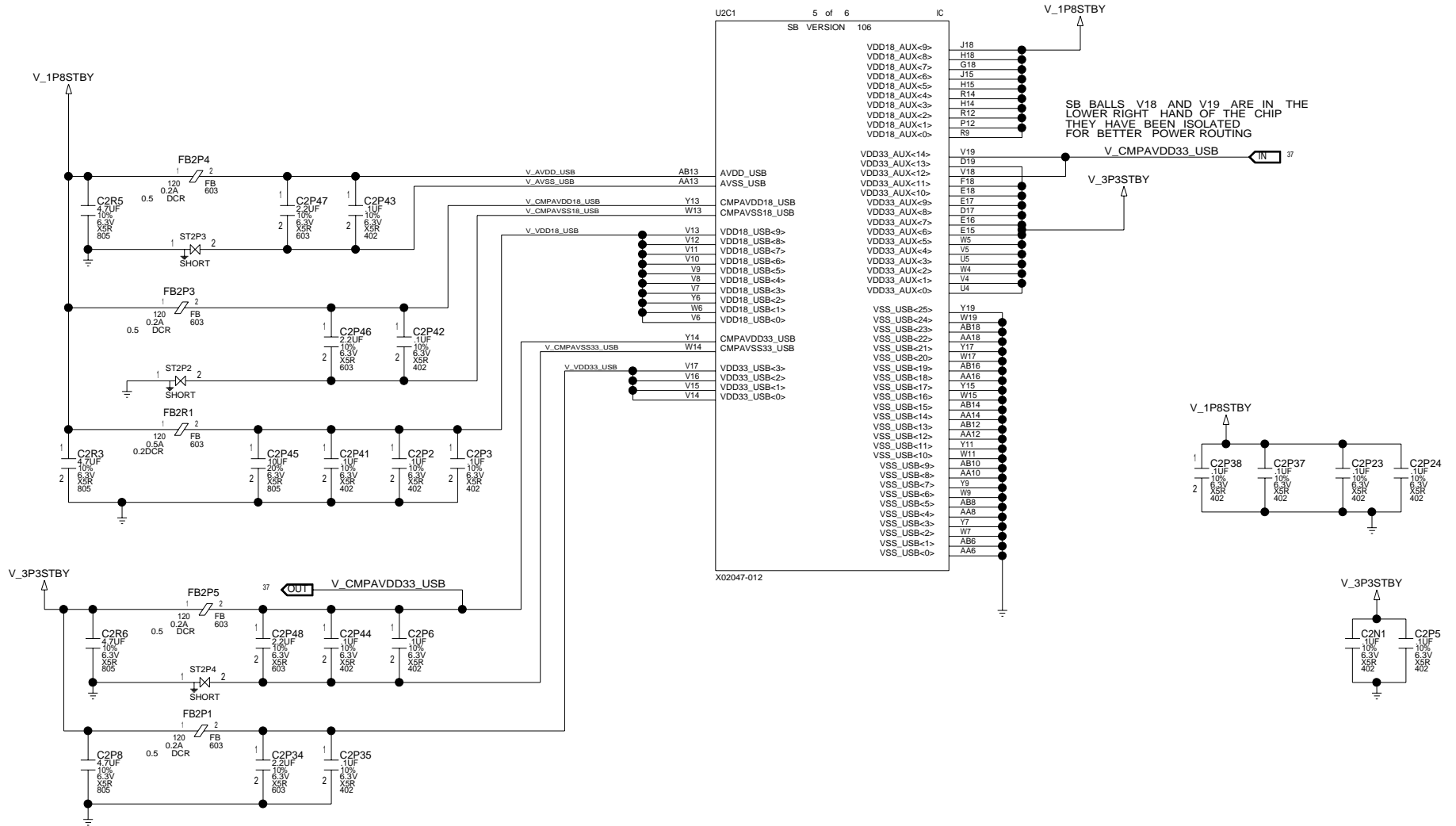
### SB, FLASH + USB + SPI



### SB, ETHERNET + AUDIO + SATA



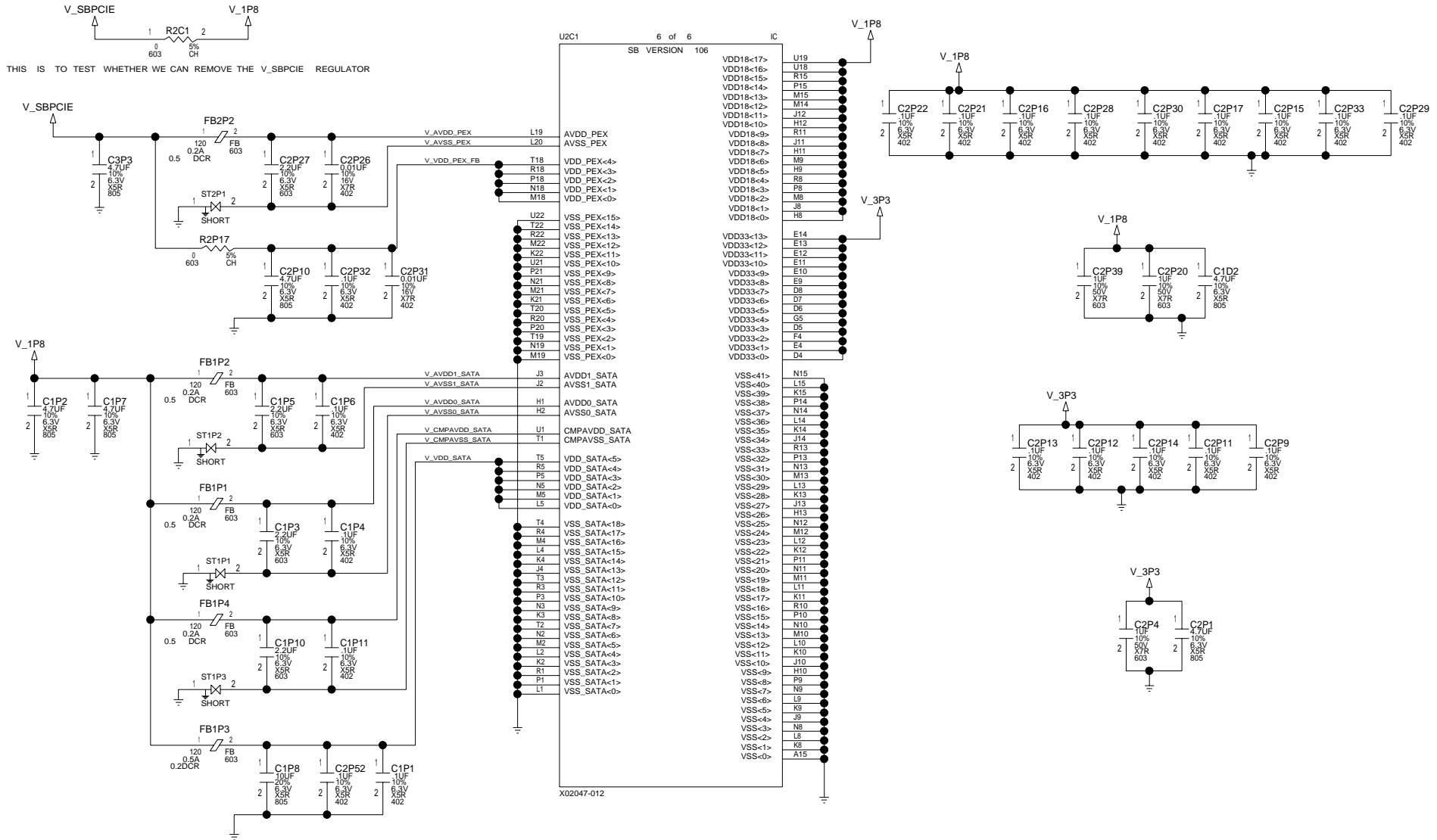
### SB, STANDBY POWER + DECOUPLING



[PAGE\_TITLE=SB, STANDBY POWER + DECOUPLING]

DRAWING XENON\_FABK Thu Sep 14 16:32:23 2006

MICROSOFT CONFIDENTIAL	PROJECT NAME ZEPHYRA_RETAIL	PAGE 37/78	REV 6.0
---------------------------	--------------------------------	---------------	------------

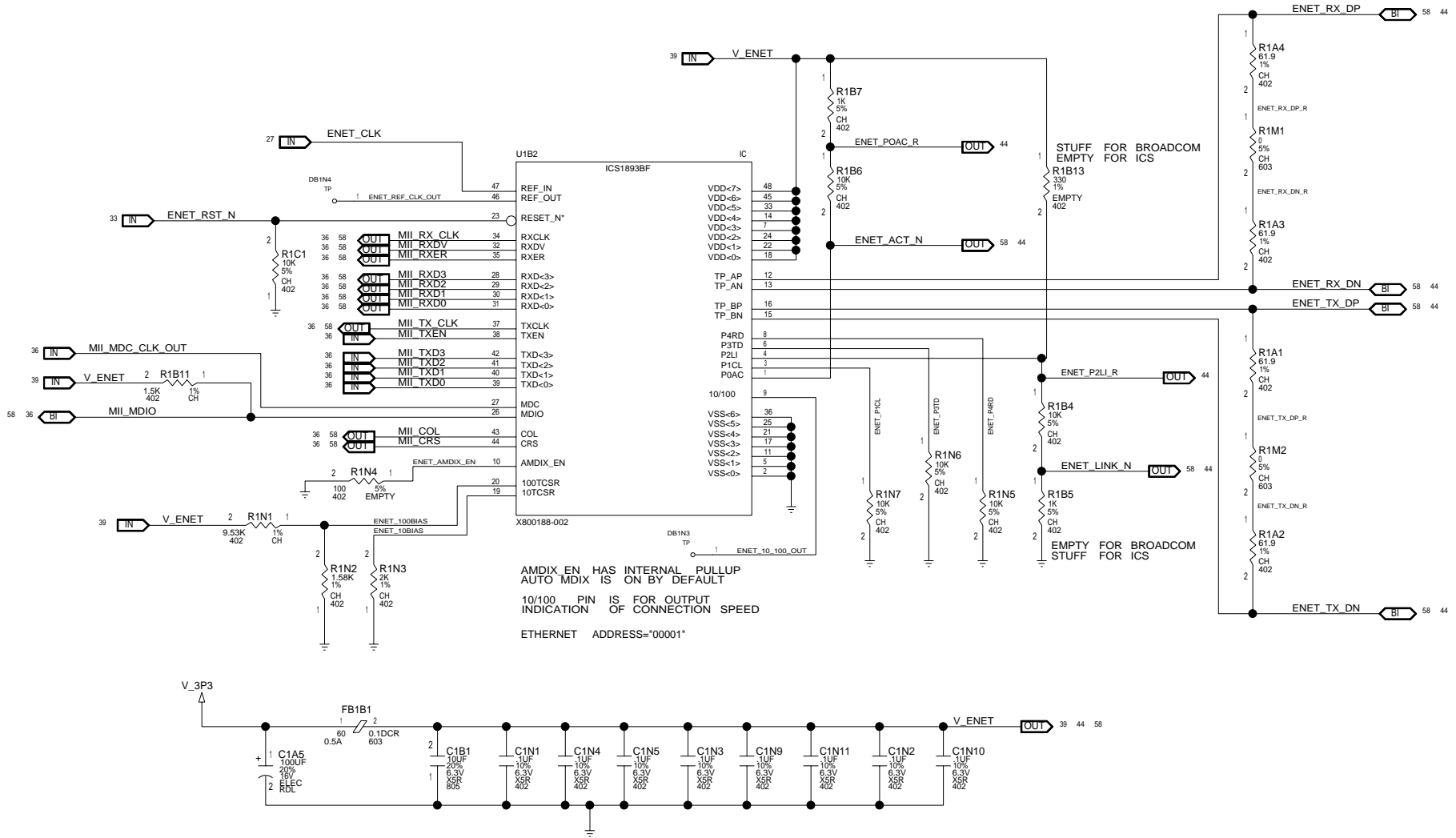


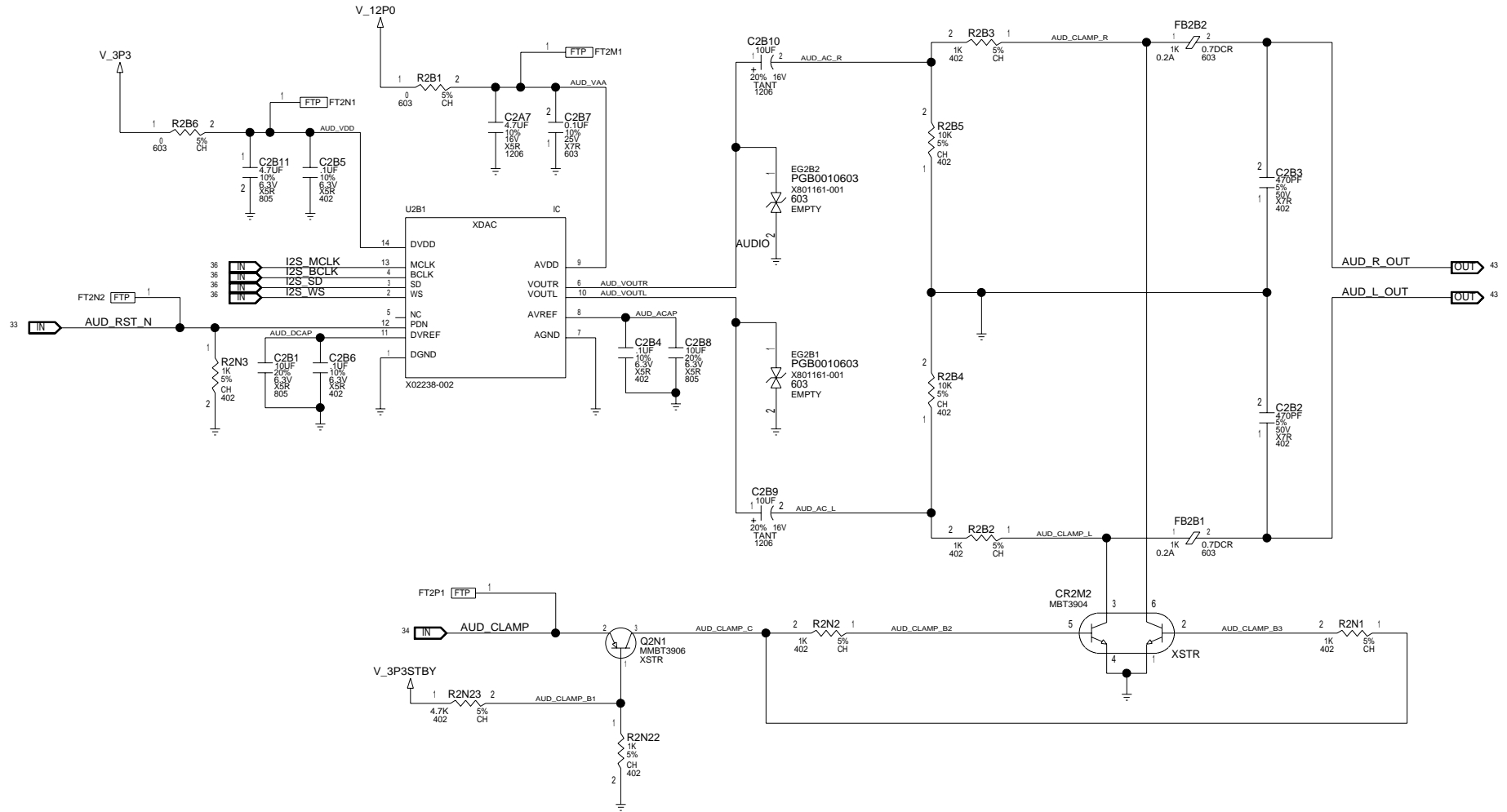
[PAGE\_TITLE=SB, MAIN POWER + DECOUPLING]

DRAWING XENON\_FABK Thu Sep 14 16:32:24 2006

MICROSOFT CONFIDENTIAL	PROJECT NAME ZEPHYRA_RETAIL	PAGE 38/78	REV 6.0
---------------------------	--------------------------------	---------------	------------

N: 123.8 OHM TERMINATION REQUIRED FOR ICS  
 N: 100 OHM TERMINATION REQUIRED FOR BROADCOM





[PAGE\_TITLE=SB OUT, AUDIO]

DRAWING  
XENON\_FABK  
Thu Sep 14 16:32:24 2006

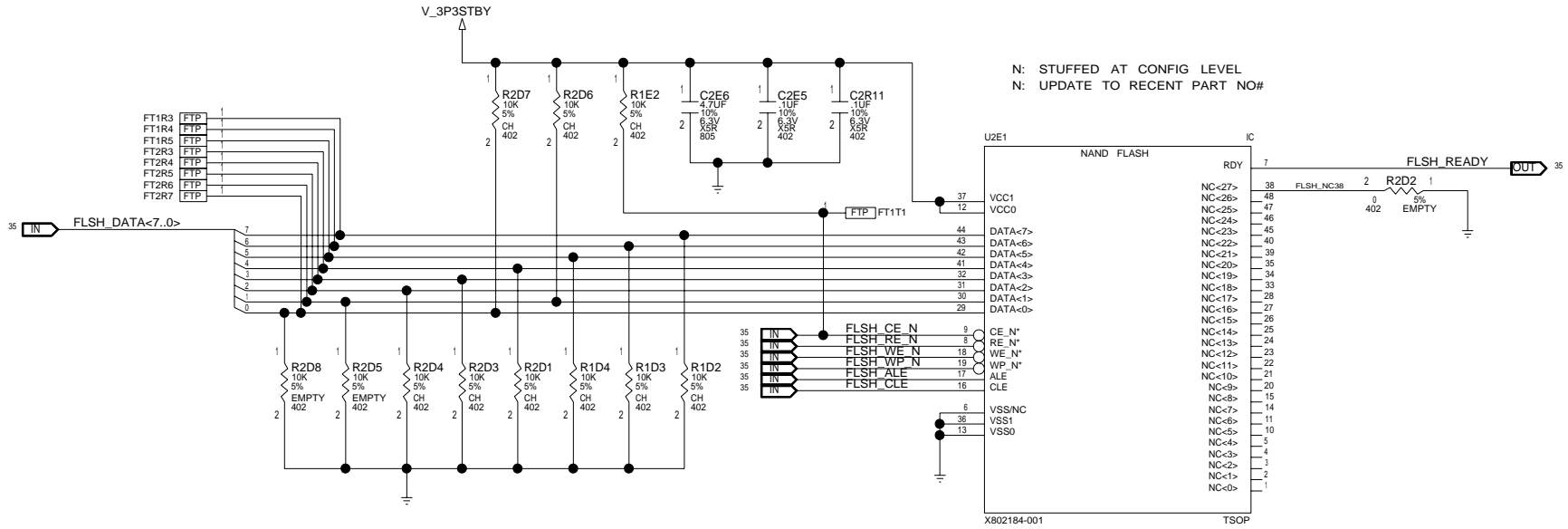
MICROSOFT CONFIDENTIAL	PROJECT NAME ZEPHYRA_RETAIL	PAGE 40/78	REV 6.0
---------------------------	--------------------------------	---------------	------------

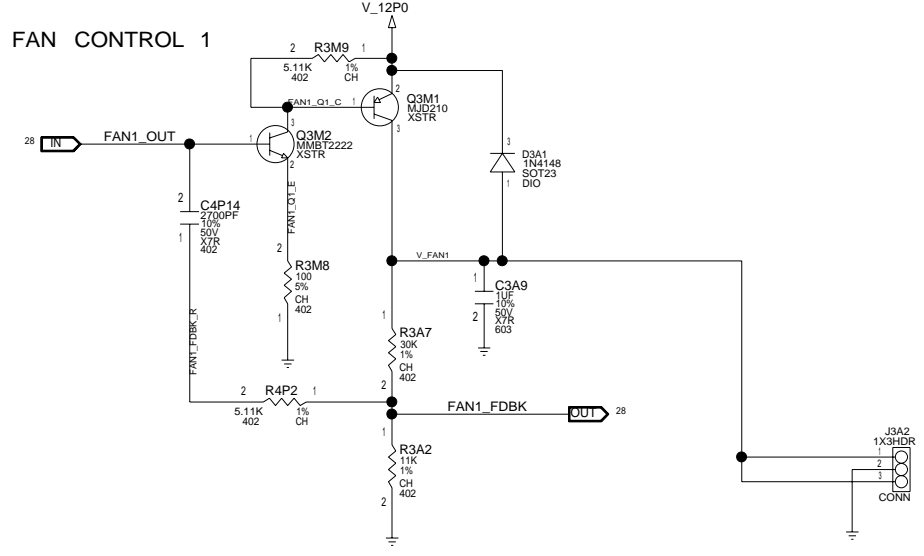
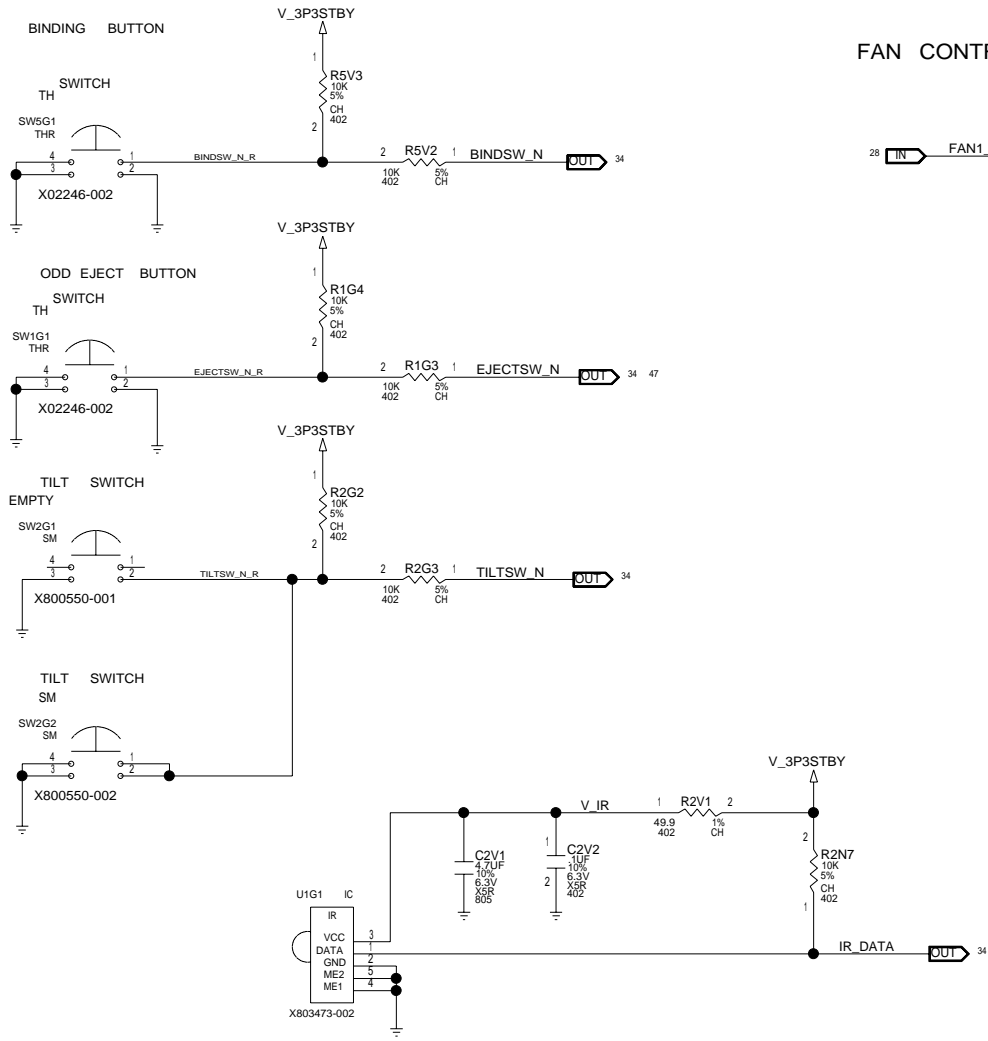


FLSH_DATA0		FLSH_DATA1	
0	1	0	1
8MB	16MB	32MB	64MB

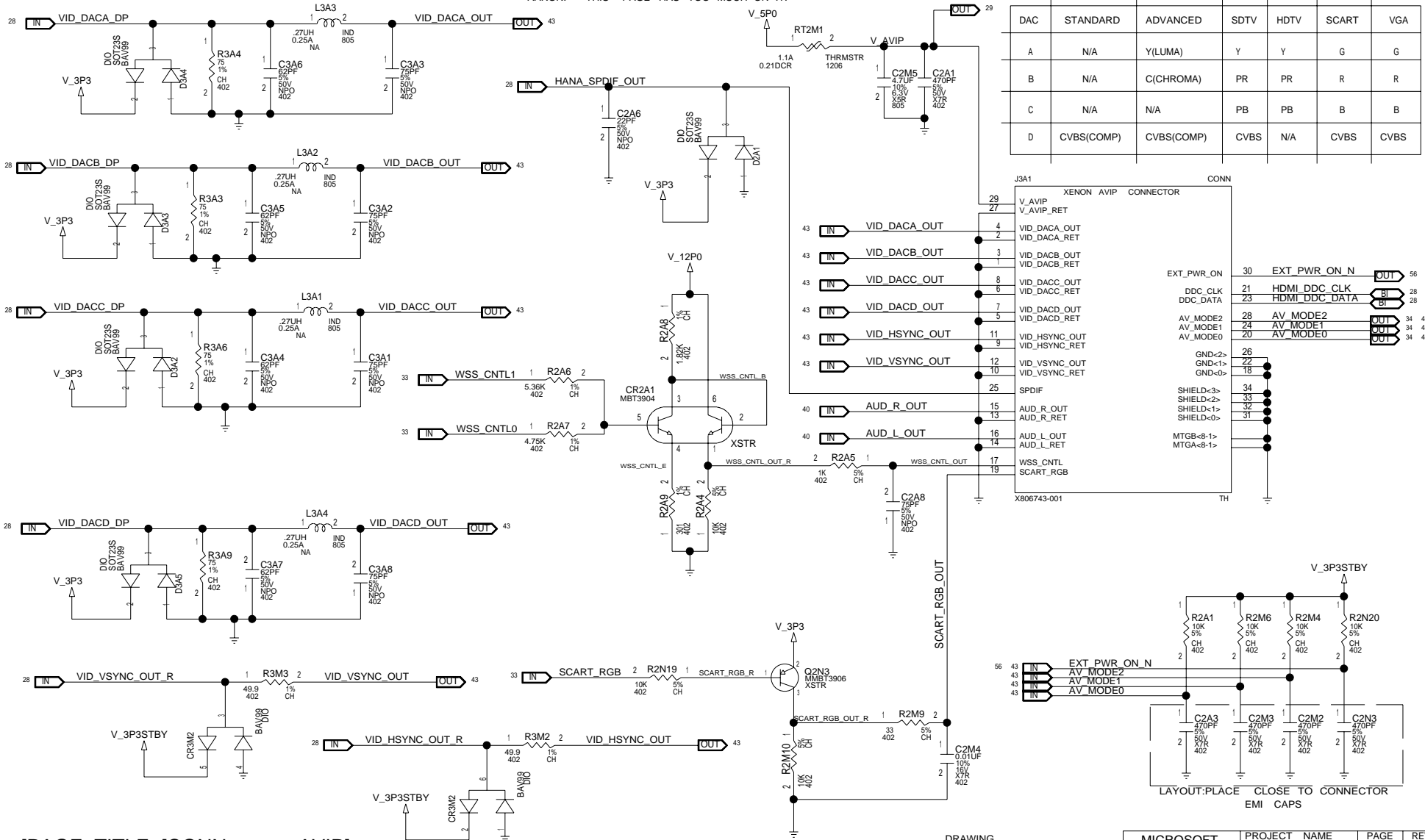
N: RETAIL=16MB  
N: XDK=64MB

N: STUFFED AT CONFIG LEVEL  
N: UPDATE TO RECENT PART NO#

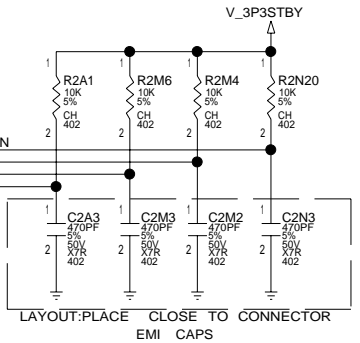
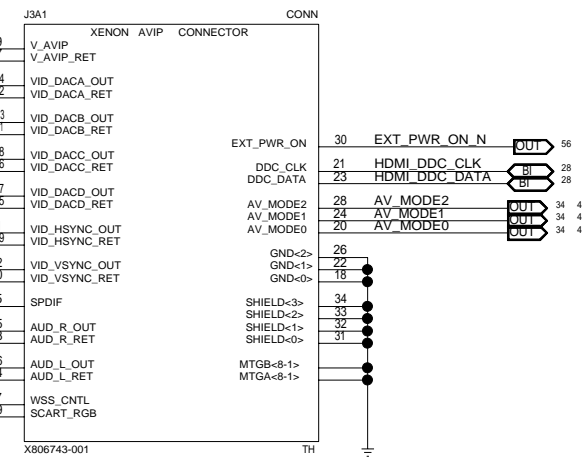




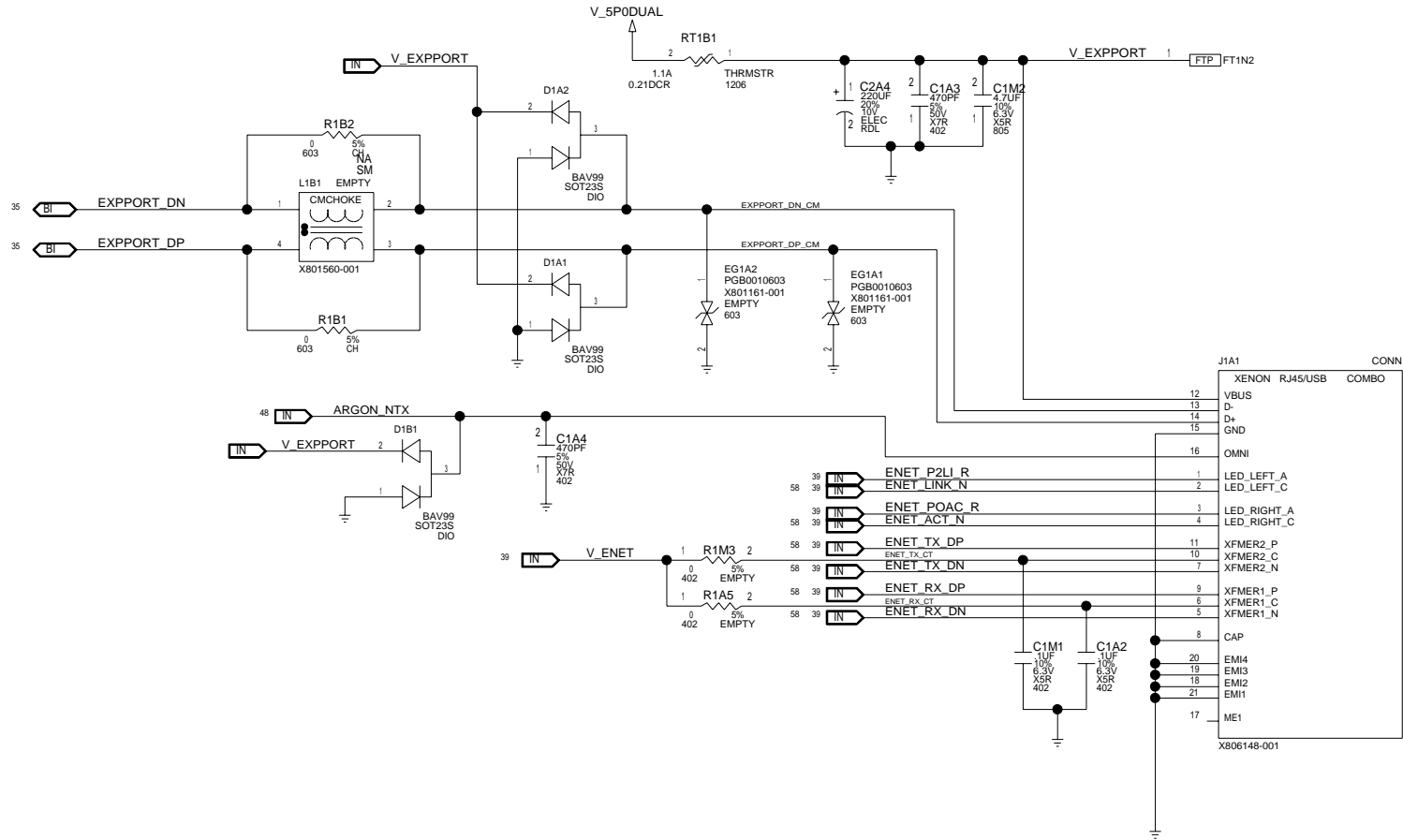
AARON: THIS PAGE HAS TOO MUCH ON IT.



	DAC	STANDARD	ADVANCED	SDTV	HDTV	SCART	VGA
A		N/A	Y(LUMA)	Y	Y	G	G
B		N/A	C(CHROMA)	PR	PR	R	R
C		N/A	N/A	PB	PB	B	B
D		CVBS(COMP)	CVBS(COMP)	CVBS	N/A	CVBS	CVBS



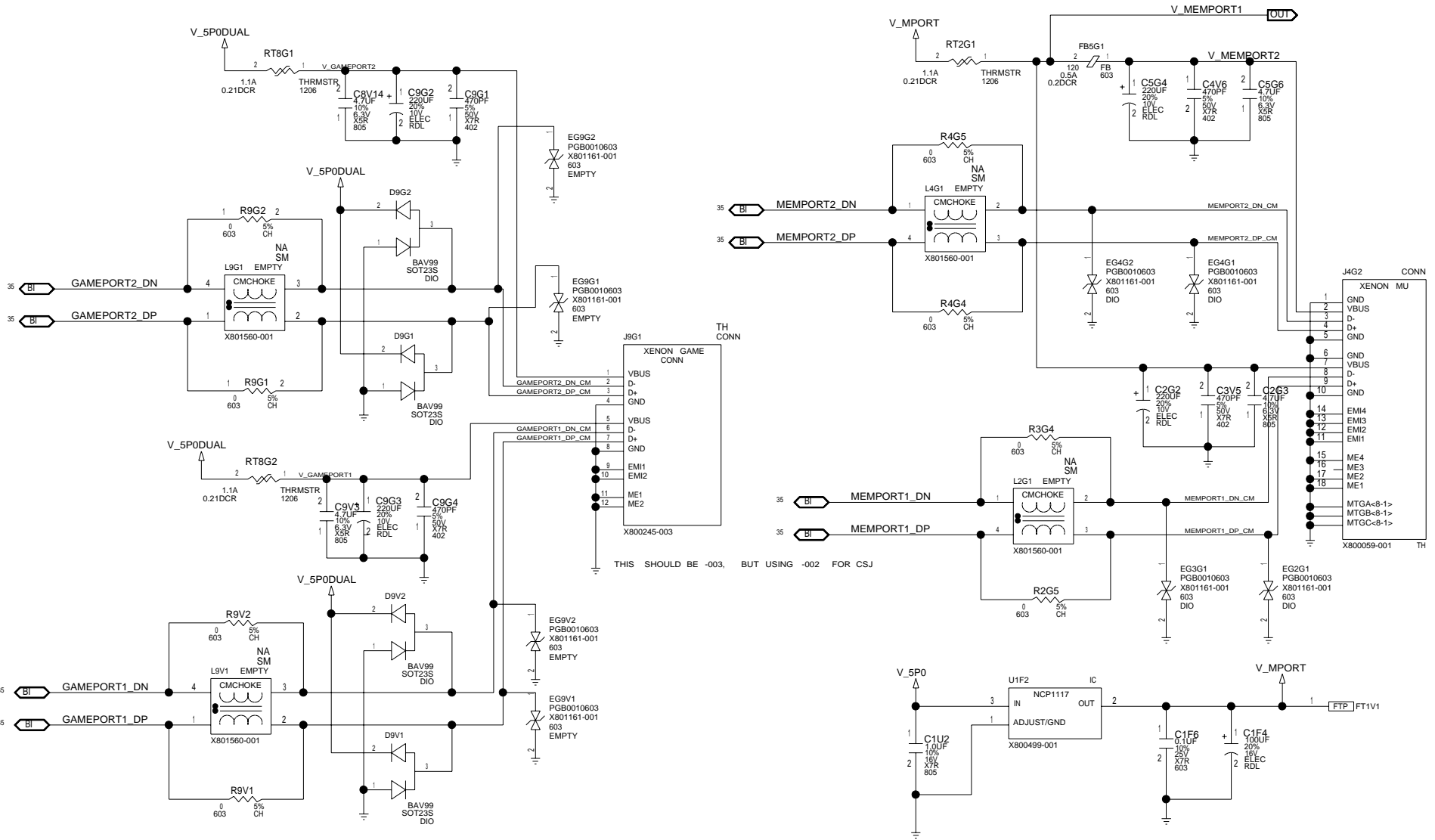
[PAGE\_TITLE=[CONN, AVIP]



[PAGE\_TITLE=CONN, RJ45 + USB COMBO]

DRAWING  
XENON\_FABK  
Thu Sep 14 16:32:26 2006

MICROSOFT CONFIDENTIAL	PROJECT NAME ZEPHYRA_RETAIL	PAGE 44/78	REV 6.0
---------------------------	--------------------------------	---------------	------------



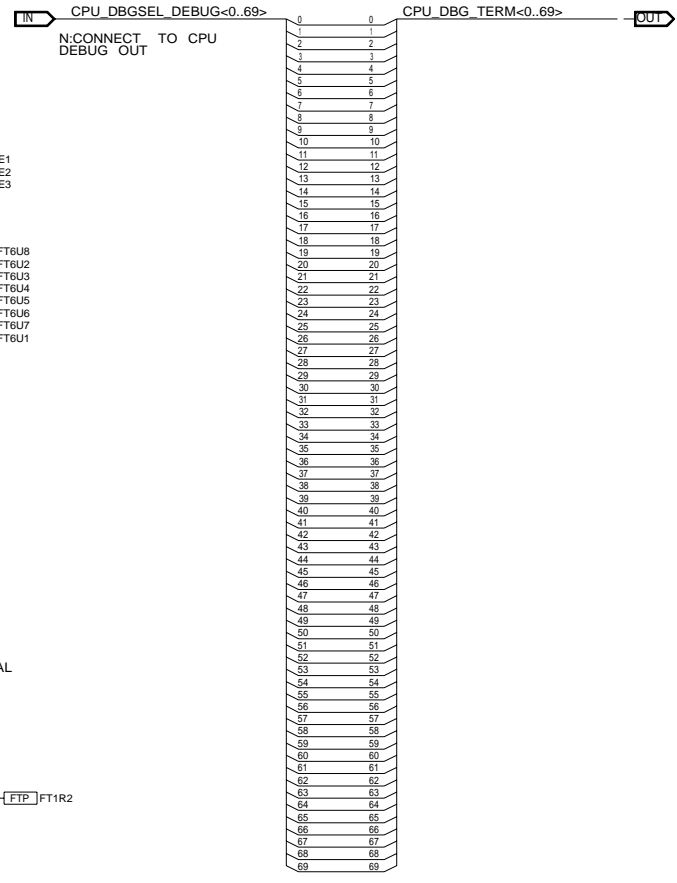
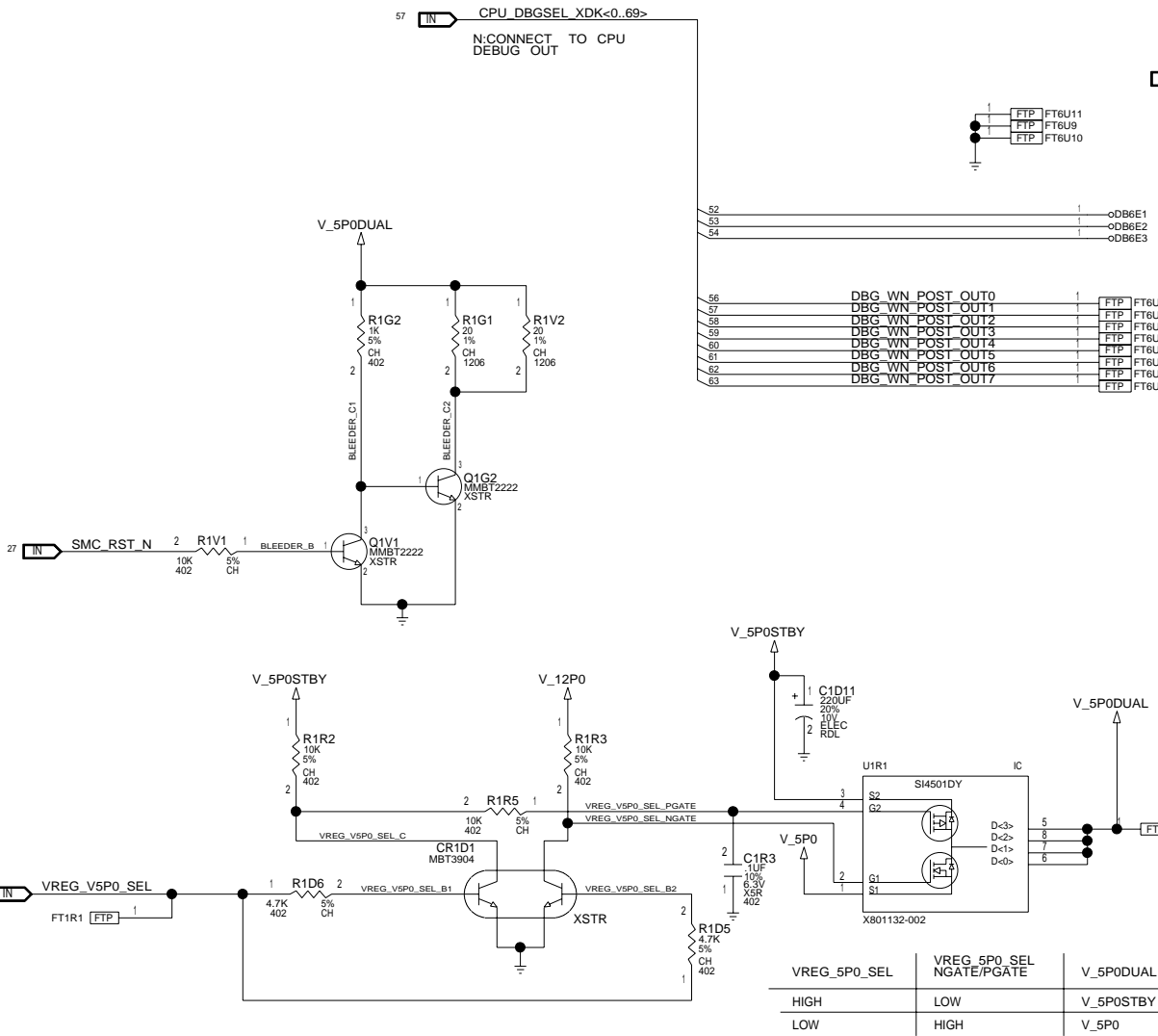
[PAGE\_TITLE=CONN, MEMORY PORTS + GAME PORTS]

DRAWING XENON\_FABK Thu Sep 14 16:32:26 2006

MICROSOFT CONFIDENTIAL	PROJECT NAME ZEPHYRA_RETAIL	PAGE 45/78	REV 6.0
------------------------	-----------------------------	------------	---------

### XDK BOARD MAPPING

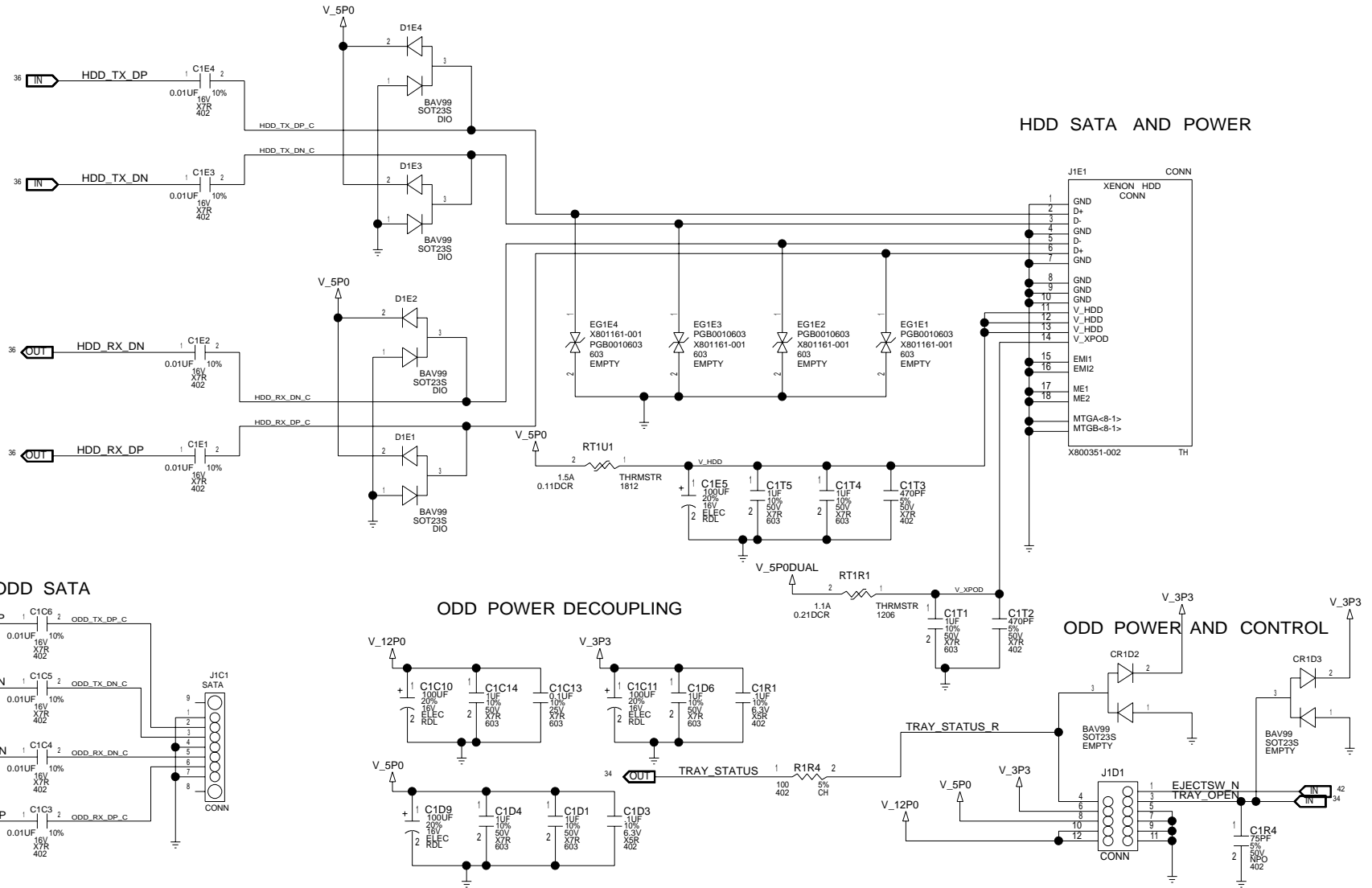
### DEBUG BOARD MAPPING



[PAGE\_TITLE=[MISC, V\_5P0 DUAL, DEBUG MAPPING]

DRAWING XENON\_FABK Thu Sep 14 16:32:27 2006

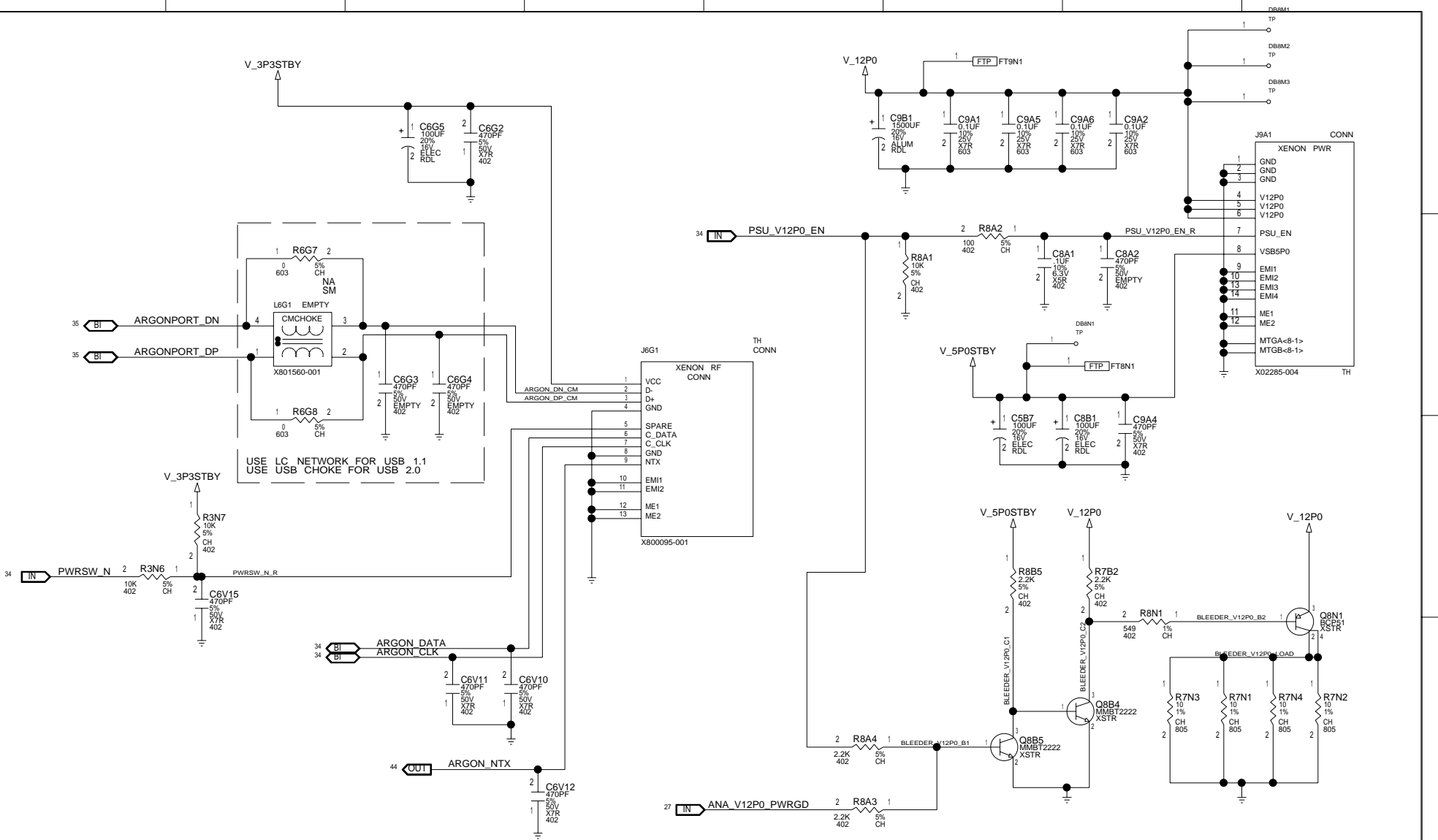
MICROSOFT CONFIDENTIAL	PROJECT NAME ZEPHYRA_RETAIL	PAGE 46/78	REV 6.0
---------------------------	--------------------------------	---------------	------------



[PAGE\_TITLE=CONN, ODD + HDD]

DRAWING  
XENON\_FABK  
Thu Sep 14 16:32:27 2006

MICROSOFT CONFIDENTIAL	PROJECT NAME ZEPHYRA_RETAIL	PAGE 47/78	REV 6.0
---------------------------	--------------------------------	---------------	------------

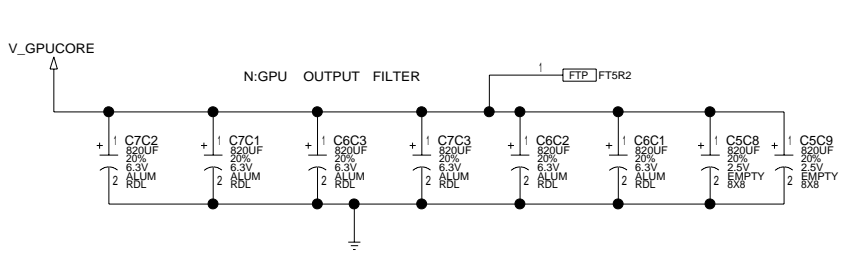
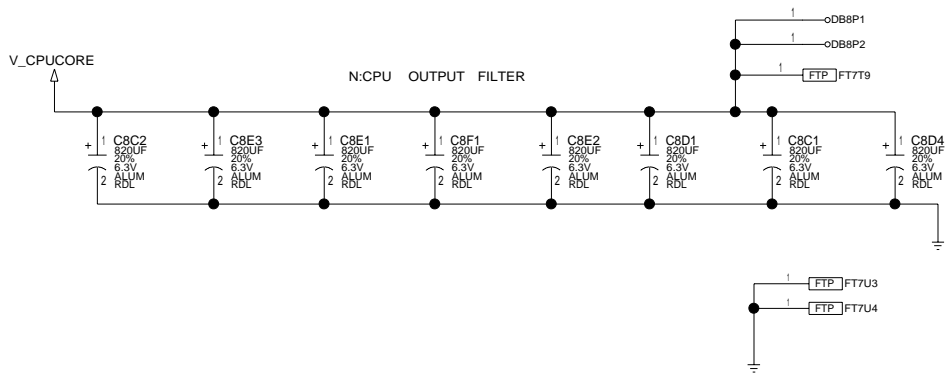
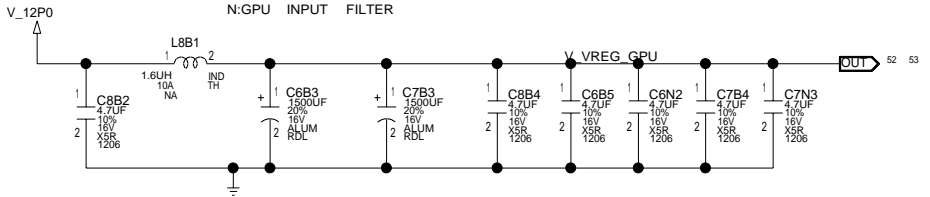
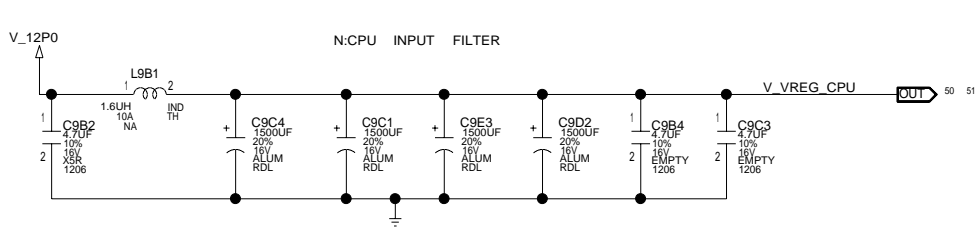
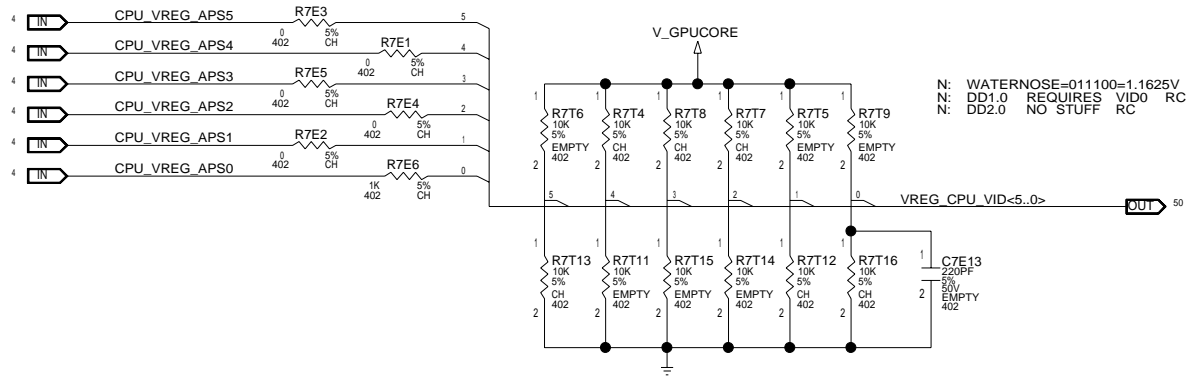


[PAGE\_TITLE=CONN, ARGON + POWER]

DRAWING XENON\_FABK Thu Sep 14 16:32:27 2006

MICROSOFT CONFIDENTIAL	PROJECT NAME ZEPHYRA_RETAIL	PAGE 48/78	REV 6.0
---------------------------	--------------------------------	---------------	------------

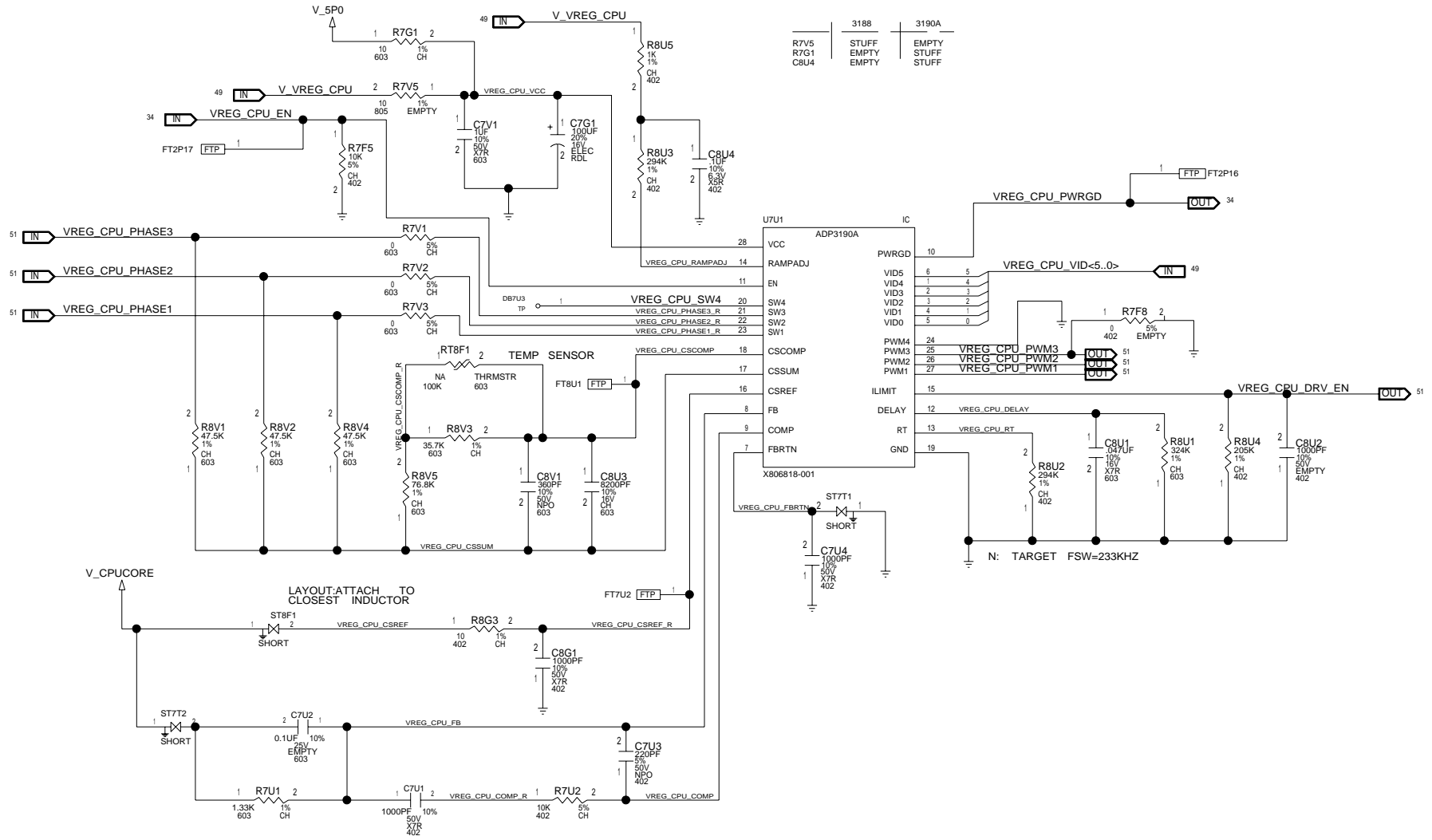




[PAGE\_TITLE=VREGS, INPUT + OUTPUT FILTERS]

DRAWING XENON\_FABK Thu Sep 14 16:32:27 2006

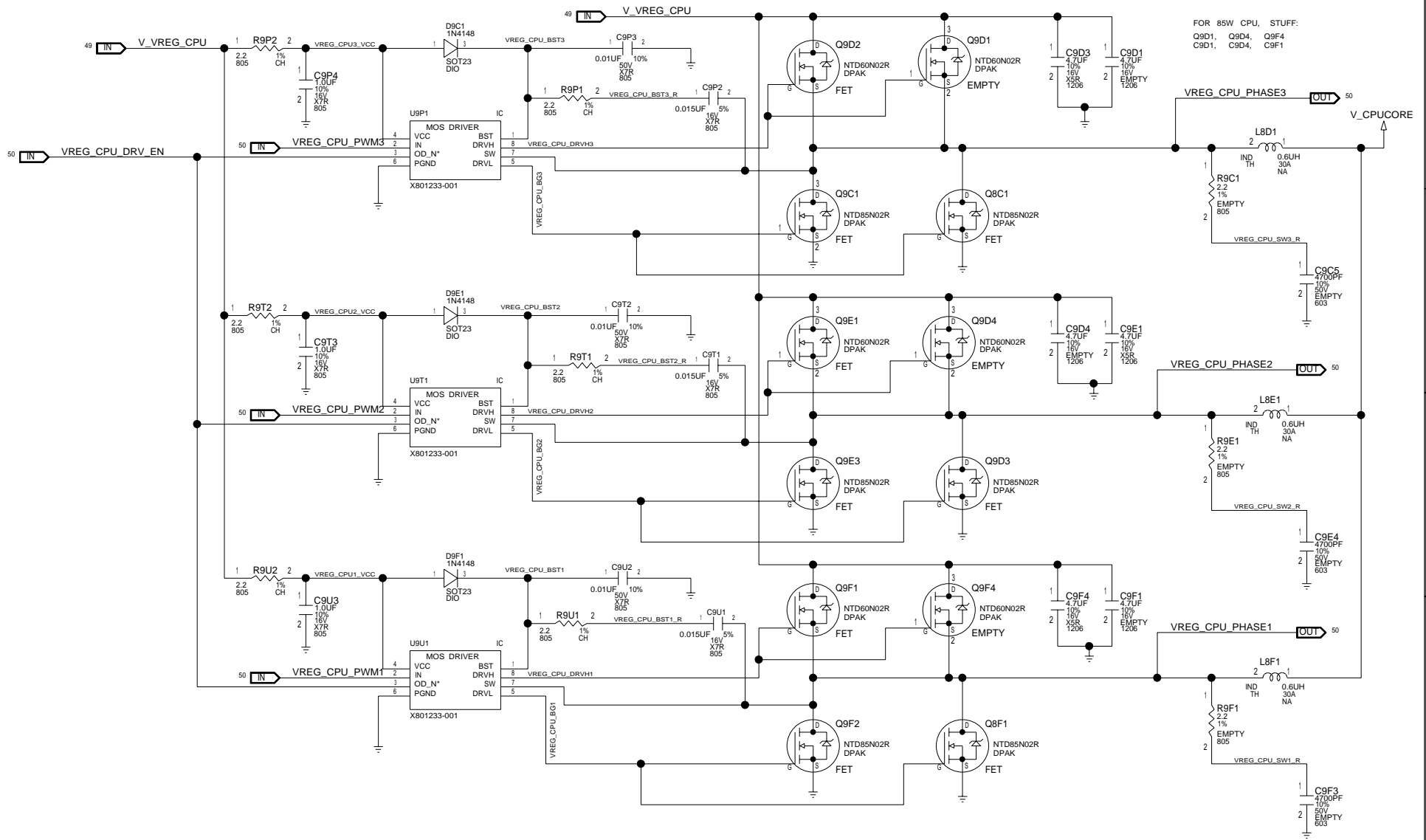
MICROSOFT CONFIDENTIAL	PROJECT NAME ZEPHYRA_RETAIL	PAGE 49/78	REV 6.0
---------------------------	--------------------------------	---------------	------------



[PAGE\_TITLE=VREGS, CPU CONTROLLER]

DRAWING  
XENON\_FABK  
Thu Sep 14 16:32:12 2006

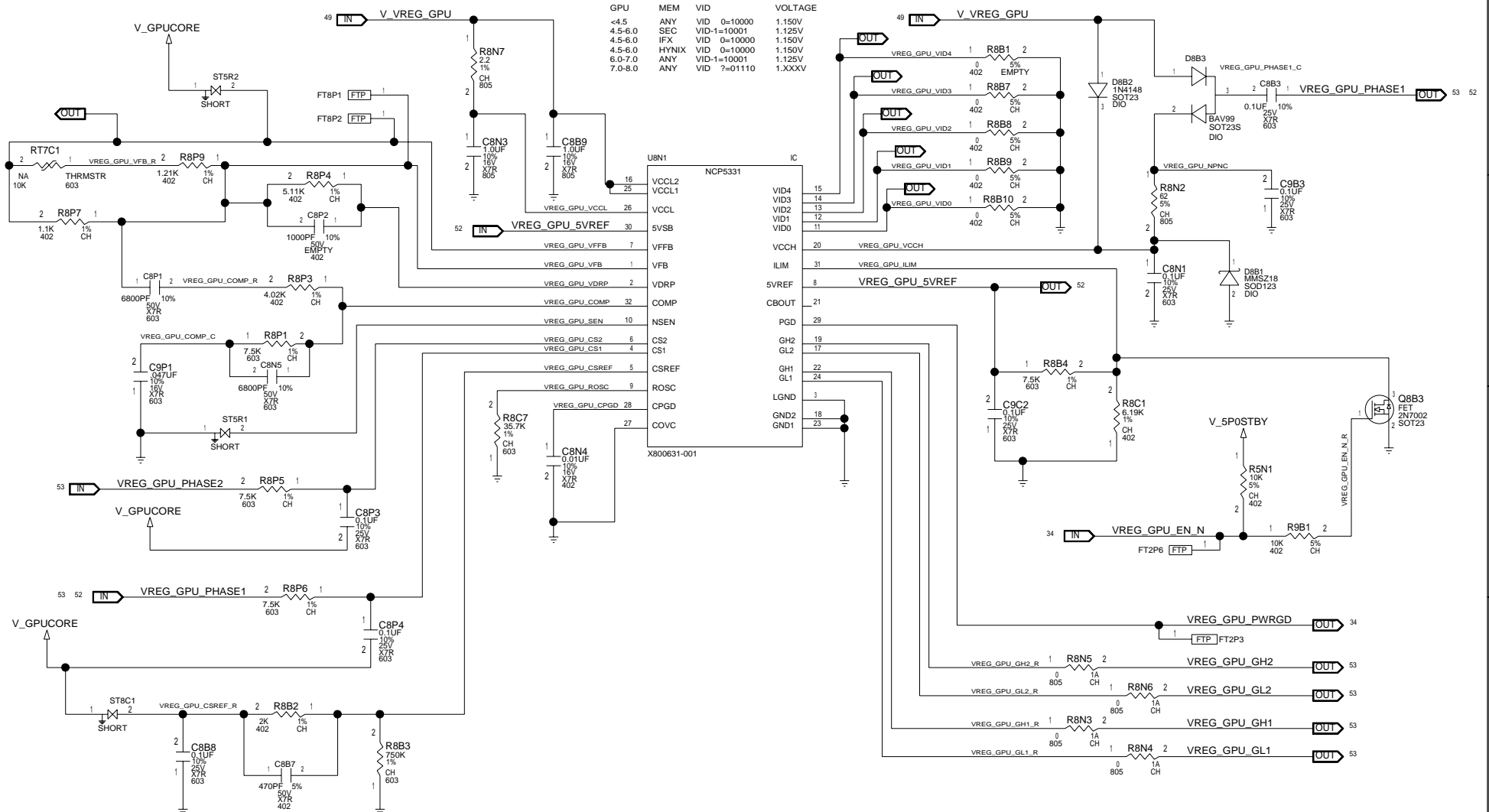
MICROSOFT CONFIDENTIAL	PROJECT NAME ZEPHYRA_RETAIL	PAGE 50/78	REV 6.0
---------------------------	--------------------------------	---------------	------------



[PAGE\_TITLE=VREGS, CPU OUTPUT PHASE 1,2,3]

DRAWING  
 XENON\_FABK  
 Thu Sep 14 16:32:28 2006

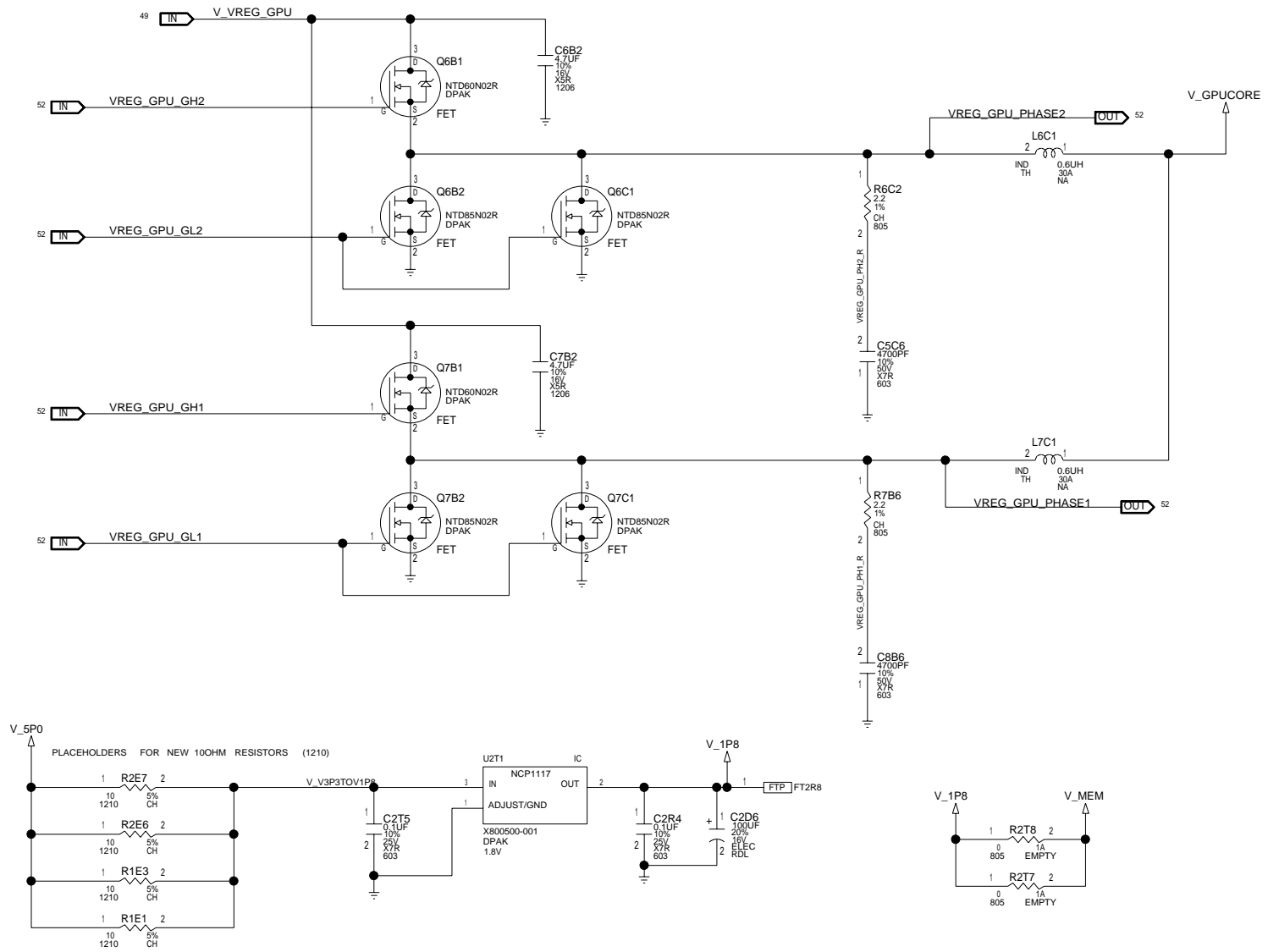
MICROSOFT CONFIDENTIAL	PROJECT NAME ZEPHYRA_RETAIL	PAGE 51/78	REV 6.0
---------------------------	--------------------------------	---------------	------------



[PAGE\_TITLE=VREGS, GPU CONTROLLER]

DRAWING  
XENON\_FABK  
Thu Sep 14 16:32:29 2006

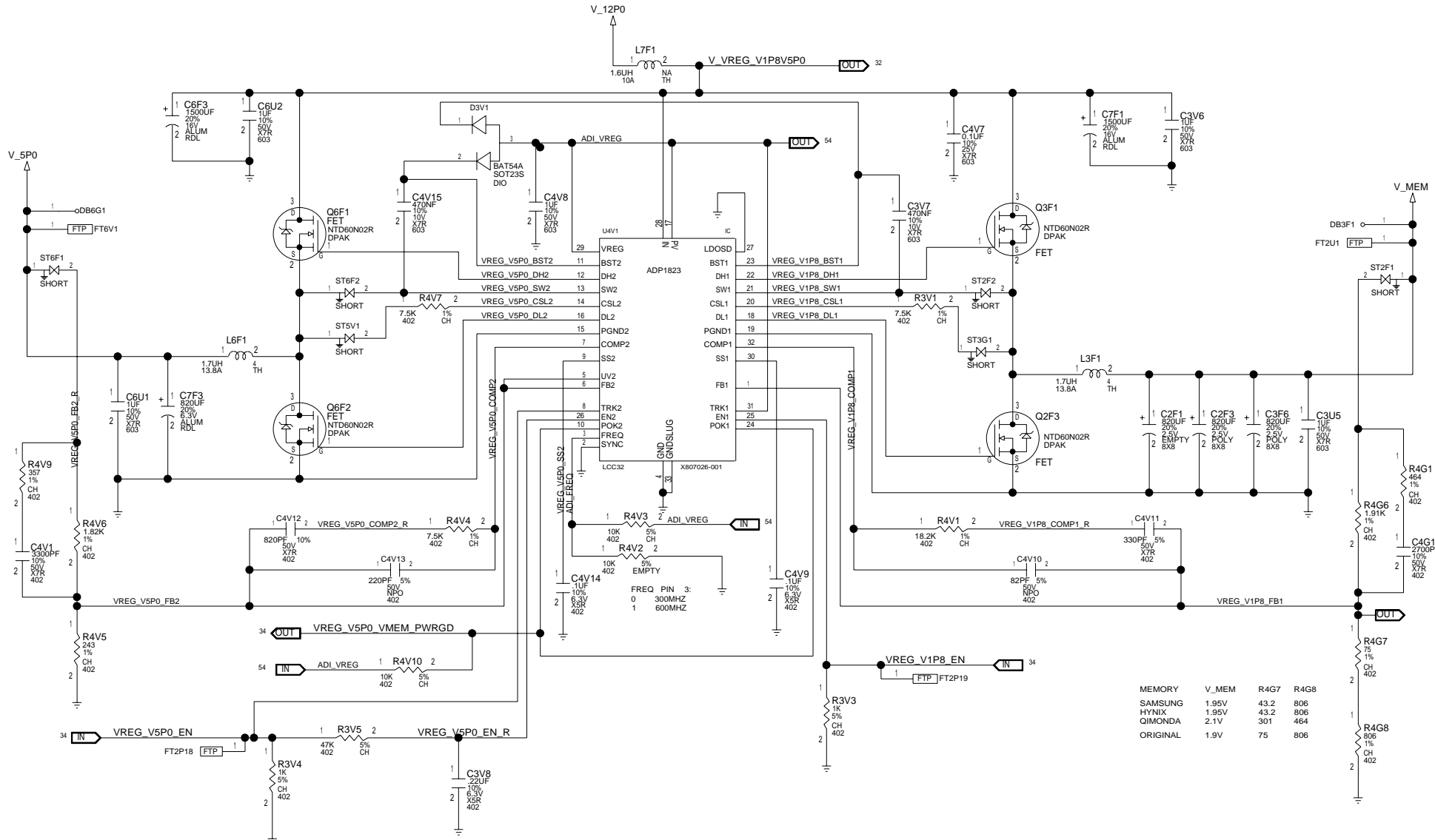
MICROSOFT CONFIDENTIAL	PROJECT NAME ZEPHYRA_RETAIL	PAGE 52/78	REV 6.0
---------------------------	--------------------------------	---------------	------------



[PAGE\_TITLE=VREGS, GPU OUTPUT PHASE 1,2]

DRAWING  
XENON\_FABK  
Thu Sep 14 16:32:29 2006

MICROSOFT CONFIDENTIAL	PROJECT NAME ZEPHYRA_RETAIL	PAGE 53/78	REV 6.0
---------------------------	--------------------------------	---------------	------------

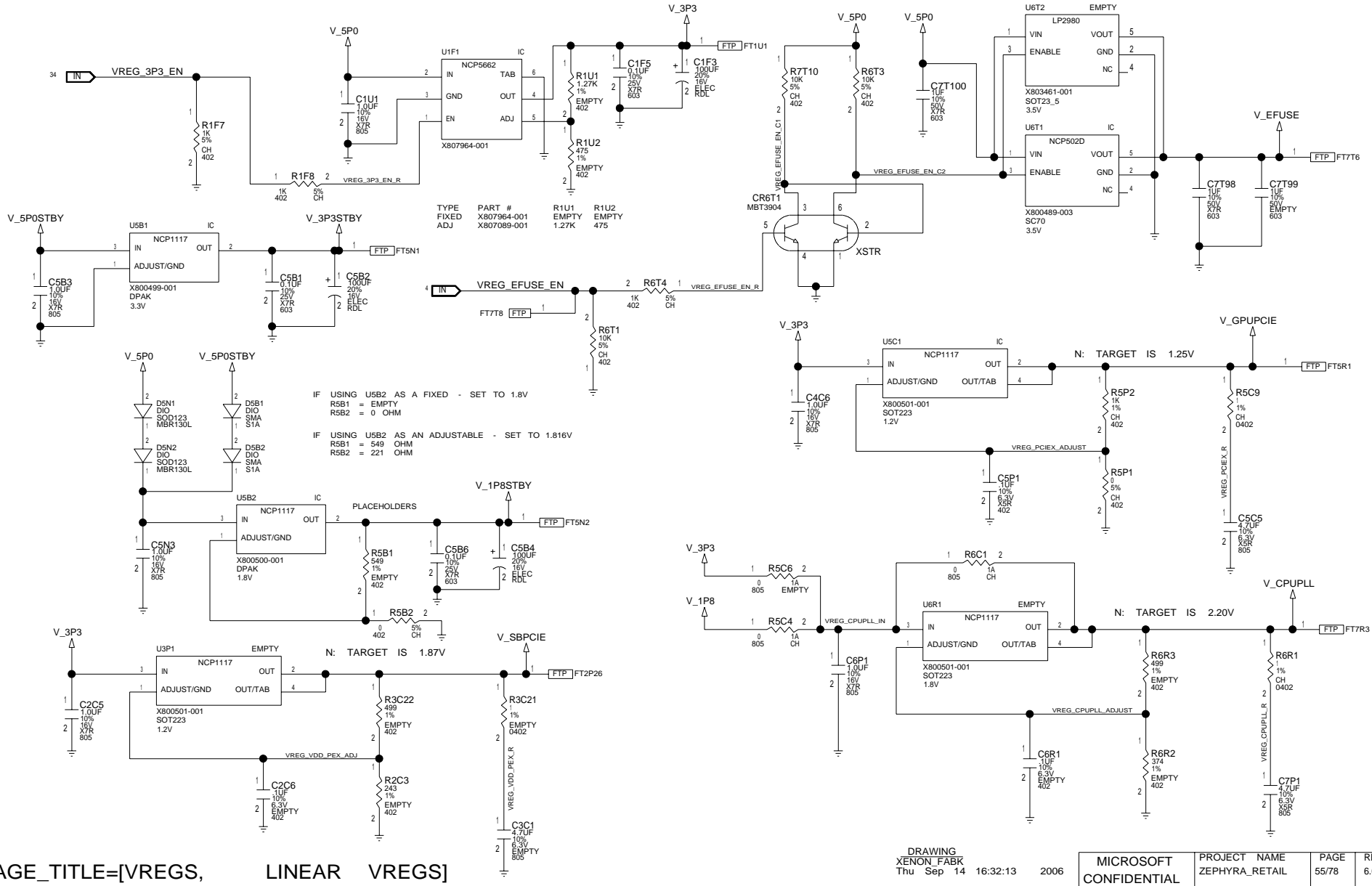


MEMORY	V_MEM	R4G7	R4G8
SAMSUNG	1.95V	43.2	806
HYNIX	1.95V	43.2	806
QIMONDA	2.1V	301	464
ORIGINAL	1.9V	75	806

[PAGE\_TITLE=VREGS, V1P8 AND V5P0]

DRAWING  
XENON\_FABK  
Thu Sep 14 16:32:12 2006

MICROSOFT	PROJECT NAME	PAGE	REV
CONFIDENTIAL	ZEPHYRA_RETAIL	54/78	6.0

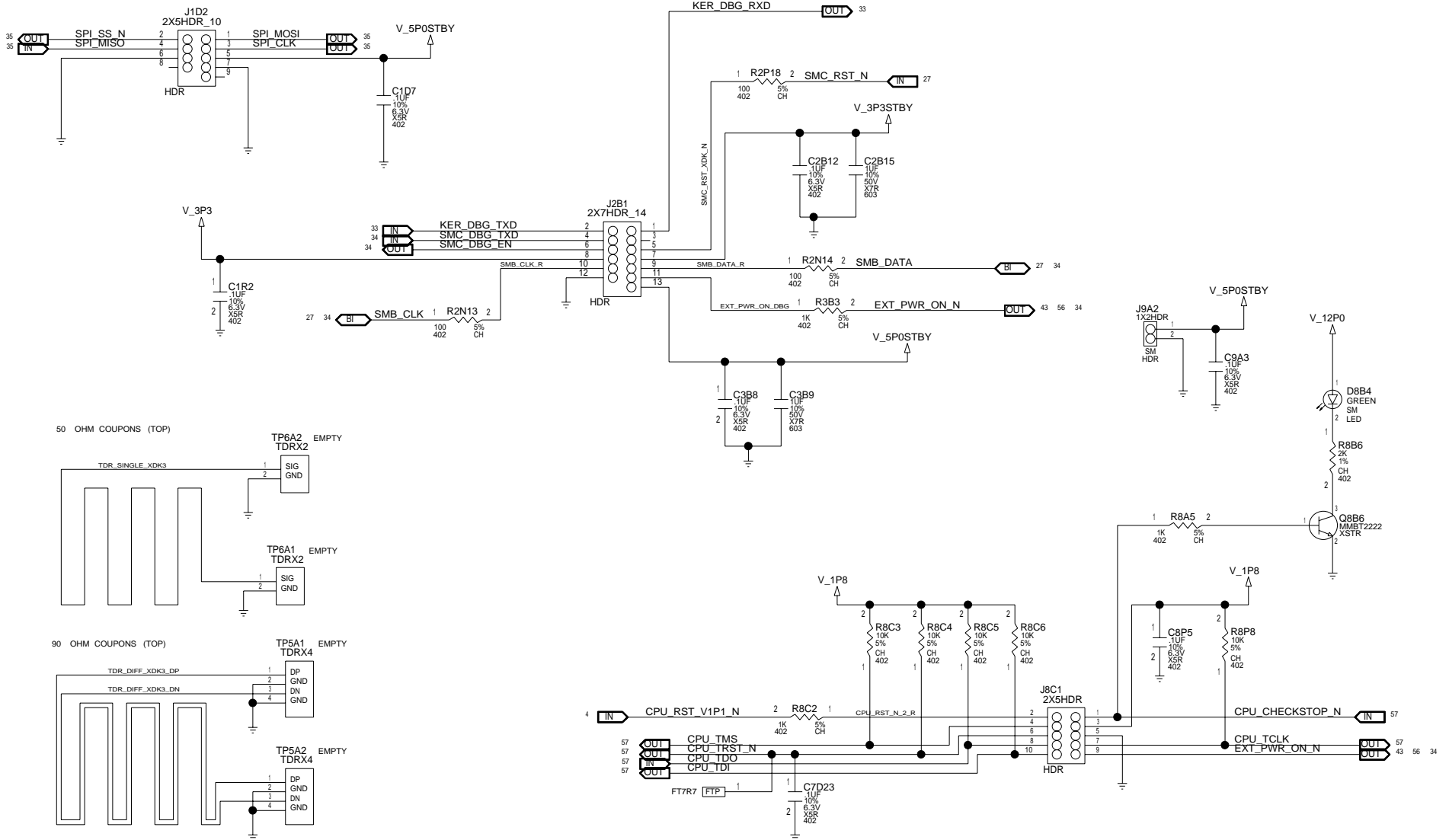


[PAGE\_TITLE]=[VREGS, LINEAR VREGS]

DRAWING XENON\_FABK Thu Sep 14 16:32:13 2006

MICROSOFT CONFIDENTIAL	PROJECT NAME ZEPHYRA_RETAIL	PAGE 55/78	REV 6.0
---------------------------	--------------------------------	---------------	------------

### XDK, DEBUG CONNECTORS



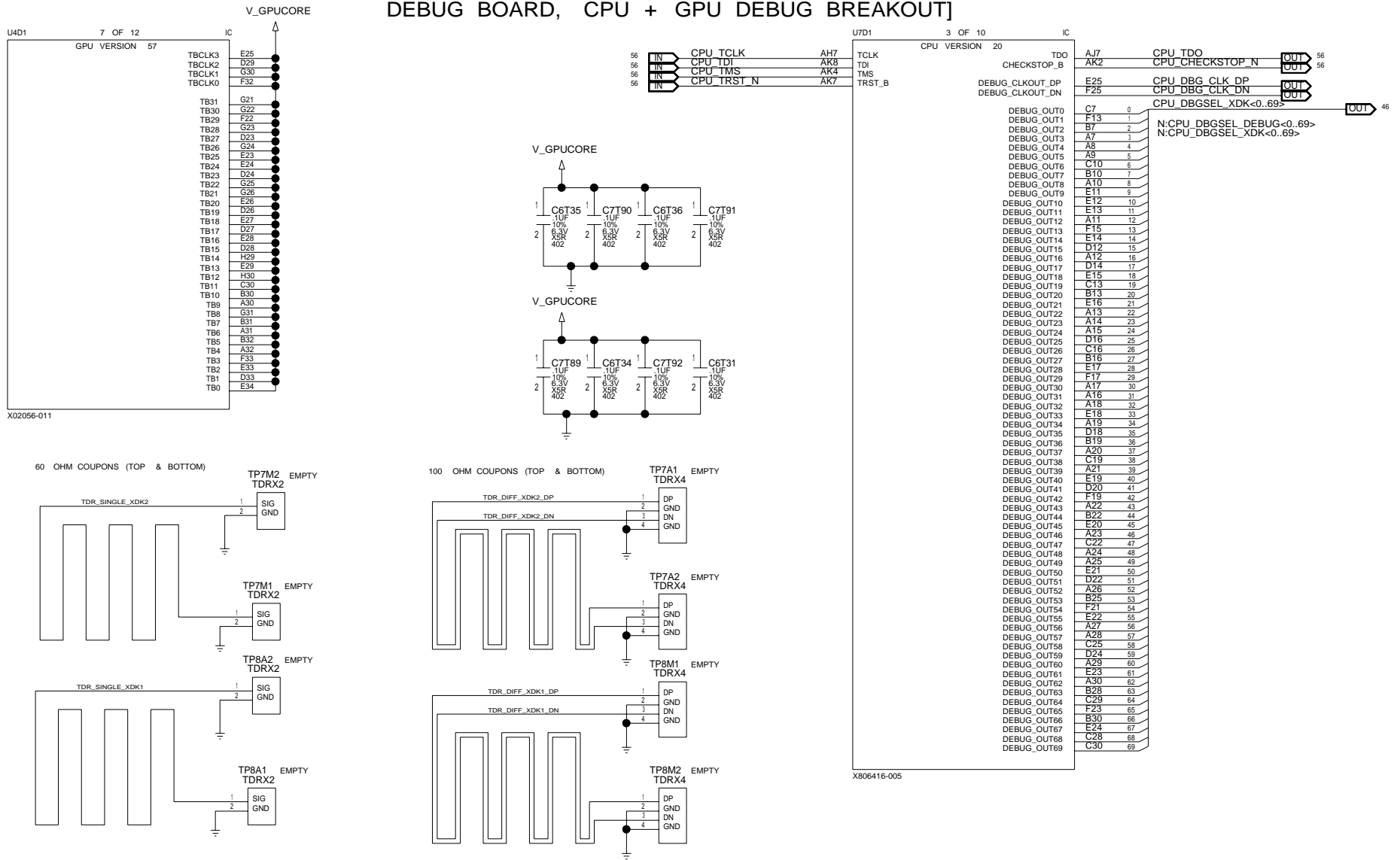
[PAGE\_TITLE=XDK. DEBUG CONN]

DRAWING  
XENON\_FABK  
Thu Sep 14 16:32:13 2006

MICROSOFT CONFIDENTIAL	PROJECT NAME ZEPHYRA_RETAIL	PAGE 56/78	REV 6.0
---------------------------	--------------------------------	---------------	------------



# DEBUG BOARD, CPU + GPU DEBUG BREAKOUT

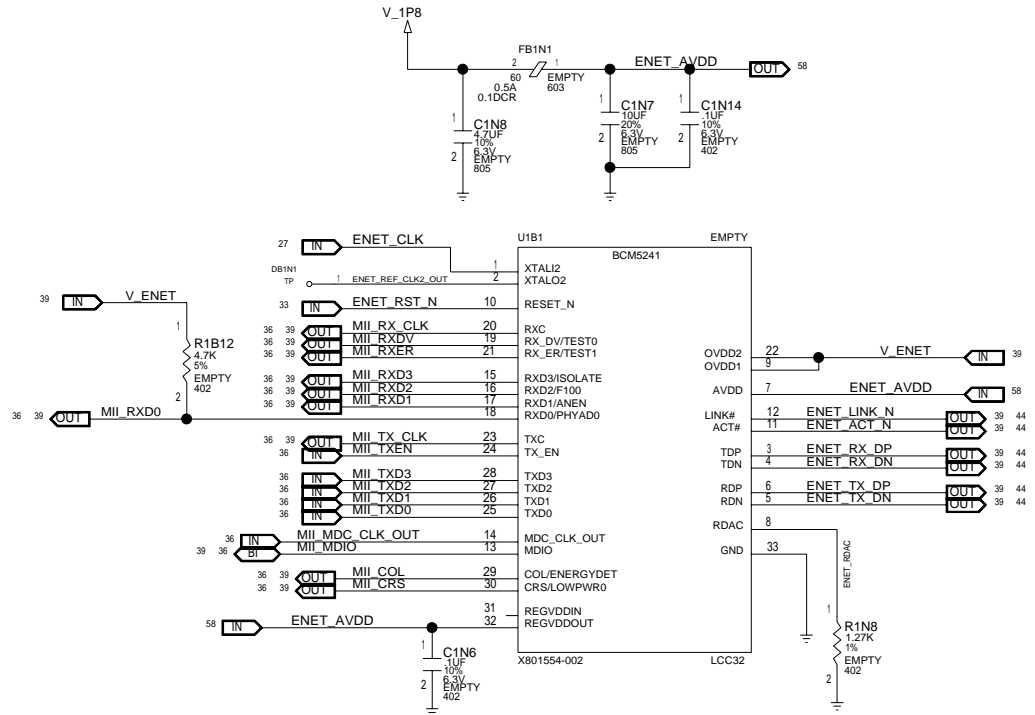


[PAGE\_TITLE=DEBUG BOARD, CPU + GPU DEBUG BREAKOUT]

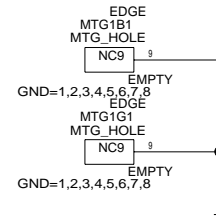
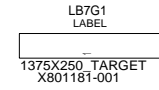
DRAWING XENON\_FABK Thu Sep 14 16:32:30 2006

MICROSOFT CONFIDENTIAL	PROJECT NAME ZEPHYRA_RETAIL	PAGE 57/78	REV 6.0
---------------------------	--------------------------------	---------------	------------

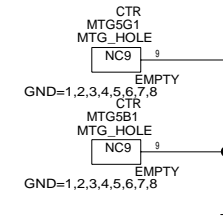
### BDCM PHY



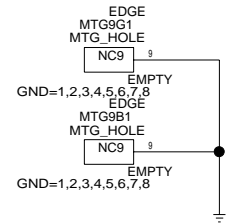
INTELLIGENT SERIAL NUMBER TARGET.



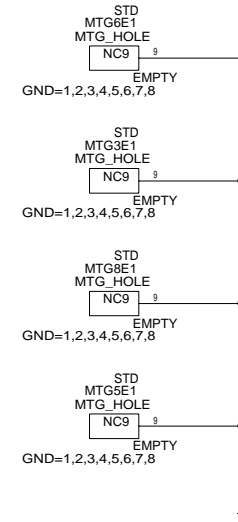
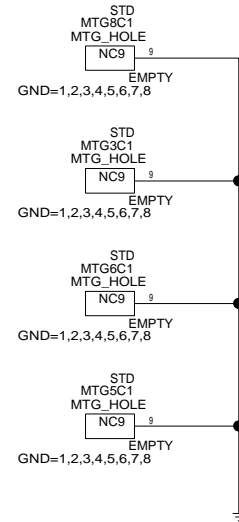
MIDDLE PCB MOUNTING HOLES



EAST PCB MOUNTING HOLES



HEAT SINK MOUNTING HOLES



Title: Basenet Report  
 Design: zephyr  
 Date: Sep 14 16:32:56 2006

Base nets and synonyms for  
 xenon\_lib.ZEPHYR(@xenon\_lib.zephyr(sch\_1))

Base Signal  
 Location([Zone][dir])

ADL_FREQ	54B5		
ADL_VREG	54D4	54A7	54B4
ANA_CLK_OE	34B3	27C8	
ANA_CLK_OE_R	27C7		
ANA_PIX_CLK_2X_DN	27B1	13C8	
ANA_PIX_CLK_2X_DN_R	27C4		
ANA_PIX_CLK_2X_DP	27B1	13C8	
ANA_PIX_CLK_2X_DP_R	27C4		
ANA_RST_N	34C3	27D7	
ANA_V12P0_PWRGD	27D3	34C3	48A5
ANA_VID_INT	28D3	33B2	
ANA_VRST_OK	27D3	34A8	
ARGONPORT_DN	35C4	48C8	
ARGONPORT_DP	35C4	48C8	
ARGON_CLK	34A1	48A7	
ARGON_DATA	34A1	48A7	
ARGON_DN_CM	48C6		
ARGON_DP_CM	48C6		
ARGON_NTX	48A6	44C7	
AUD_ACAP	40C5		
AUD_AC_L	40B5		
AUD_AC_R	40D5		
AUD_CLAMP	34C6	40A6	
AUD_CLAMP_B1	40A6		
AUD_CLAMP_B2	40A4		
AUD_CLAMP_B3	40A2		
AUD_CLAMP_C	40A5		
AUD_CLAMP_L	40B3		
AUD_CLAMP_R	40D3		
AUD_CLK	27A1	36C6	
AUD_CLK_R	27B4		
AUD_DCAP	40C7		
AUD_L_OUT	40C1	43B4	
AUD_RST_N	33B2	40C8	
AUD_R_OUT	40C1	43B4	
AUD_VAA	40D6		
AUD_VDD	40D7		
AUD_VOUTL	40C6		
AUD_VOUTR	40C6		
AV_MODE0	43C1	34B8	43A3
AV_MODE0_R	34B6		
AV_MODE1	43C1	34B8	43A3
AV_MODE1_R	34B6		
AV_MODE2	43C1	34B8	43A3
AV_MODE2_R	34B6		
BINDSW_N	42D6	34B3	
BINDSW_N_R	42D7		

BLEEDER_B	46B7		
BLEEDER_C1	46B7		
BLEEDER_C2	46B6		
BLEEDER_V12P0_B1	48A3		
BLEEDER_V12P0_B2	48B2		
BLEEDER_V12P0_C1	48A3		
BLEEDER_V12P0_C2	48A2		
BLEEDER_V12P0_LOAD	48A2		
BND_GAP_CAP	28B6		
BRD_TEMP_N	28A6	28A8	
BRD_TEMP_P	28B1	28A6	
CAL_TEMP_N	28B1	28A8	
CAL_TEMP_P	28B2		
COBALTPORT_DN	35B5		
COBALTPORT_DP	35B5		
CPU_ANL_1	4C5		
CPU_ANL_1_R	4B5		
CPU_ANL_2	4B5		
CPU_CHECKSTOP_N	57D1	56A1	
CPU_CLK_DN	27D1	4D6	
CPU_CLK_DN_R	27C4		
CPU_CLK_DP	27D1	4D6	
CPU_CLK_DP_R	27C4		
CPU_CORE_IF_BGR_PLL	4D3		
CPU_DBGSEL_DEBUG<0..69>		46D3	
CPU_DBGSEL_XDK<0..69>	57D1	46D7	
CPU_DBG_CLK_DN	57D1		
CPU_DBG_CLK_DP	57D1		
CPU_EXT_CLK_EN	4C6		
CPU_FSB_CLK_SEL	4C6		
CPU_FSB_HF_CLKOUT_DN	4C2		
CPU_FSB_HF_CLKOUT_DP	4C2		
CPU_FSB_IMP_CAL_DN	4C3		
CPU_FSB_IMP_CAL_DP	4C3		
CPU_PLL_BYPASS	4C6		
CPU_POST_IN<0..4>	4C6		
CPU_PSRO0_OUT	4C3		
CPU_PULSE_LIMIT_BYPASS		4C6	
CPU_PWRGD	34B3	4D8	
CPU_PWRGD_V1P1_N	4D7		
CPU_RES0_DN	4C3		
CPU_RES0_DP	4C3		
CPU_RST_N	34B3	4D8	
CPU_RST_N_2_R	56A4		
CPU_RST_V1P1_N	4D7	56A5	
CPU_SPARE0	4B5		
CPU_SPARE1	4B5		
CPU_SPI_CLK	4B1	4A5	
CPU_SPI_CLK_R	4A4		
CPU_SPI_EN	4B2	4A6	
CPU_SPI_EN_R	4A4		
CPU_SPI_SI	4A1	4B3	4B6
CPU_SPI_SI_R	4A2		
CPU_SPI_SO	4B2	4A5	
CPU_SPI_SO_R	4A4		
CPU_SPI_WP_N	4A3	4A2	
CPU_SYS_CONFIG0	4C6		

CPU_SYS_CONFIG1	4C6		
CPU_TCLK	56A1	57D5	
CPU_TDI	56A5	57D5	
CPU_TDO	57D1	56A5	
CPU_TEMP_N	4B2	28A8	
CPU_TEMP_P	28B1	4B2	
CPU_TEST_EN	4B5		
CPU_TMS	56A5	57D5	
CPU_TRIGGER_IN	4C6		
CPU_TRST_N	56A5	57D5	
CPU_VDDE	6C5		
CPU_VDDSDN	4C3		
CPU_VDDSDP	4C3		
CPU_VDDSD1_DN	4C3		
CPU_VDDSD1_DP	4C3		
CPU_VREG_APS0	4B2	49C7	
CPU_VREG_APS1	4B2	49D7	
CPU_VREG_APS2	4B2	49D7	
CPU_VREG_APS3	4B2	49D7	
CPU_VREG_APS4	4B2	49D7	
CPU_VREG_APS5	4B2	49D7	
DBG_LED0	34A8	34A6	
DBG_LED0_LED	34A4		
DBG_LED0_LED_R	34A5		
DBG_WN_POST_OUT0	46C5		
DBG_WN_POST_OUT1	46C5		
DBG_WN_POST_OUT2	46C5		
DBG_WN_POST_OUT3	46C5		
DBG_WN_POST_OUT4	46C5		
DBG_WN_POST_OUT5	46C5		
DBG_WN_POST_OUT6	46C5		
DBG_WN_POST_OUT7	46C5		
ECB_CLK_BYP	33D6		
ECB_CLK_SEL	33D6		
EDRAM_TEMP_N	13C8	28A8	
EDRAM_TEMP_P	28B1	13C8	
EJECTSW_N	42C6	34B3	47A1
EJECTSW_N_R	42C7		
ENET_10BIAS	39B6		
ENET_10_100_OUT	39B5		
ENET_100BIAS	39B6		
ENET_ACT_N	39C3	58B1	44B4
ENET_AMDIX_EN	39B6		
ENET_AVDD	58C2	58A4	58B1
ENET_CLK	27A1	39C7	58C4
ENET_CLK_R	27C4		
ENET_LINK_N	39B2	58B1	44C4
ENET_P1CL	39B4		
ENET_P2LI_R	39B2	44C4	
ENET_P3TD	39B4		
ENET_P4RD	39B3		
ENET_POAC_R	39C3	44B4	
ENET_RDAC	58B2		
ENET_REF_CLK2_OUT	58C4		
ENET_REF_CLK_OUT	39C6		
ENET_RST_N	33A2	39C8	58C4
ENET_RX_CT	44B4		

ENET_RX_DN	39C1	58B1	44B4	
ENET_RX_DN_R	39C2			
ENET_RX_DP	39D1	58B1	44B4	
ENET_RX_DP_R	39D2			
ENET_TX_CT	44B4			
ENET_TX_DN	39A1	58B1	44B4	
ENET_TX_DN_R	39B2			
ENET_TX_DP	39C1	58B1	44B4	
ENET_TX_DP_R	39B2			
EN_TEST0_N	34A6			
EN_TEST1_N	34A6			
EXPPORT_DN	35B4	44D8		
EXPPORT_DN_CM	44D5			
EXPPORT_DP	35B4	44C8		
EXPPORT_DP_CM	44C5			
EXT_PWR_ON_DBG	56C4			
EXT_PWR_ON_N	43C1	56A1	56C3	34D8
43A3				
EXT_PWR_ON_R	34C6			
FAN1_FDBK	42C2	28B6		
FAN1_FDBK_R	42C4			
FAN1_OUT	28B3	42D5		
FAN1_Q1_C	42D4			
FAN1_Q1_E	42C3			
FAN_OP1_DP	28B7			
FLSH_ALE	35C4	41B5		
FLSH_CE_N	35C4	41B5		
FLSH_CLE	35C4	41B5		
FLSH_DATA<7..0>	35C8	41C8		
FLSH_NC38	41C2			
FLSH_READY	41C1	35C8		
FLSH_RE_N	35C4	41B5		
FLSH_WE_N	35C4	41B5		
FLSH_WP_N	35C8	41B5		
FSB_BYPCLK_DN	12D7			
FSB_BYPCLK_DP	12D7			
FSB_BYPCLK_SEL	12D7			
FSB_CLK_DN	4C6			
FSB_CLK_DP	4C6			
FSB_CP_GP0_CLK_DN	5D3	12D8		
FSB_CP_GP0_CLK_DP	5D3	12D8		
FSB_CP_GP0_DATA0_DN	5C3	12C8		
FSB_CP_GP0_DATA0_DP	5C3	12C8		
FSB_CP_GP0_DATA1_DN	5C3	12C8		
FSB_CP_GP0_DATA1_DP	5C3	12C8		
FSB_CP_GP0_DATA2_DN	5C3	12C8		
FSB_CP_GP0_DATA2_DP	5C3	12C8		
FSB_CP_GP0_DATA3_DN	5C3	12C8		
FSB_CP_GP0_DATA3_DP	5C3	12C8		
FSB_CP_GP0_DATA4_DN	5C3	12C8		
FSB_CP_GP0_DATA4_DP	5C3	12C8		
FSB_CP_GP0_DATA5_DN	5C3	12C8		
FSB_CP_GP0_DATA5_DP	5C3	12C8		
FSB_CP_GP0_DATA6_DN	5C3	12C8		
FSB_CP_GP0_DATA6_DP	5C3	12C8		
FSB_CP_GP0_DATA7_DN	5C3	12C8		
FSB_CP_GP0_DATA7_DP	5C3	12C8		

FSB_CP_GP0_FLAG_DN	5C3	12C8
FSB_CP_GP0_FLAG_DP	5C3	12C8
FSB_CP_GP1_CLK_DN	5C3	12C8
FSB_CP_GP1_CLK_DP	5C3	12C8
FSB_CP_GP1_DATA0_DN	5B3	12B8
FSB_CP_GP1_DATA0_DP	5B3	12B8
FSB_CP_GP1_DATA1_DN	5B3	12B8
FSB_CP_GP1_DATA1_DP	5B3	12B8
FSB_CP_GP1_DATA2_DN	5B3	12B8
FSB_CP_GP1_DATA2_DP	5B3	12B8
FSB_CP_GP1_DATA3_DN	5B3	12B8
FSB_CP_GP1_DATA3_DP	5B3	12B8
FSB_CP_GP1_DATA4_DN	5B3	12B8
FSB_CP_GP1_DATA4_DP	5B3	12B8
FSB_CP_GP1_DATA5_DN	5B3	12B8
FSB_CP_GP1_DATA5_DP	5B3	12B8
FSB_CP_GP1_DATA6_DN	5B3	12B8
FSB_CP_GP1_DATA6_DP	5B3	12B8
FSB_CP_GP1_DATA7_DN	5B3	12B8
FSB_CP_GP1_DATA7_DP	5B3	12B8
FSB_CP_GP1_FLAG_DN	5B3	12B8
FSB_CP_GP1_FLAG_DP	5B3	12C8
FSB_GP_CP0_CLK_DN	12D4	5D7
FSB_GP_CP0_CLK_DP	12D4	5D7
FSB_GP_CP0_DATA0_DN	12C4	5C7
FSB_GP_CP0_DATA0_DP	12C4	5C7
FSB_GP_CP0_DATA1_DN	12C4	5C7
FSB_GP_CP0_DATA1_DP	12C4	5C7
FSB_GP_CP0_DATA2_DN	12C4	5C7
FSB_GP_CP0_DATA2_DP	12C4	5C7
FSB_GP_CP0_DATA3_DN	12C4	5C7
FSB_GP_CP0_DATA3_DP	12C4	5C7
FSB_GP_CP0_DATA4_DN	12C4	5C7
FSB_GP_CP0_DATA4_DP	12C4	5C7
FSB_GP_CP0_DATA5_DN	12C4	5C7
FSB_GP_CP0_DATA5_DP	12C4	5C7
FSB_GP_CP0_DATA6_DN	12C4	5C7
FSB_GP_CP0_DATA6_DP	12C4	5C7
FSB_GP_CP0_DATA7_DN	12C4	5C7
FSB_GP_CP0_DATA7_DP	12C4	5C7
FSB_GP_CP0_FLAG_DN	12C4	5C7
FSB_GP_CP0_FLAG_DP	12C4	5C7
FSB_GP_CP1_CLK_DN	12C4	5C7
FSB_GP_CP1_CLK_DP	12C4	5C7
FSB_GP_CP1_DATA0_DN	12B4	5B7
FSB_GP_CP1_DATA0_DP	12B4	5B7
FSB_GP_CP1_DATA1_DN	12B4	5B7
FSB_GP_CP1_DATA1_DP	12B4	5B7
FSB_GP_CP1_DATA2_DN	12B4	5B7
FSB_GP_CP1_DATA2_DP	12B4	5B7
FSB_GP_CP1_DATA3_DN	12B4	5B7
FSB_GP_CP1_DATA3_DP	12B4	5B7
FSB_GP_CP1_DATA4_DN	12B4	5B7
FSB_GP_CP1_DATA4_DP	12B4	5B7
FSB_GP_CP1_DATA5_DN	12B4	5B7
FSB_GP_CP1_DATA5_DP	12B4	5B7
FSB_GP_CP1_DATA6_DN	12B4	5B7

FSB_GP_CP1_DATA6_DP	12B4	5B7
FSB_GP_CP1_DATA7_DN	12B4	5B7
FSB_GP_CP1_DATA7_DP	12B4	5B7
FSB_GP_CP1_FLAG_DN	12B4	5B7
FSB_GP_CP1_FLAG_DP	12C4	5B7
FSB_IMPDED_CAL	12B7	
FSB_IMPDED_NCAL	12B7	
GAMEPORT1_DN	35B7	45A8
GAMEPORT1_DN_CM	45B6	
GAMEPORT1_DP	35B7	45A8
GAMEPORT1_DP_CM	45B6	
GAMEPORT2_DN	35B7	45C8
GAMEPORT2_DN_CM	45B6	
GAMEPORT2_DP	35B7	45C8
GAMEPORT2_DP_CM	45B6	
GPU_CLK_DN	27D1	13D7
GPU_CLK_DN_R	27C4	
GPU_CLK_DP	27D1	13D7
GPU_CLK_DP_R	27C4	
GPU_HSYNC_OUT	13C4	28C6
GPU_PIX_CLK_1X	13C3	28D6
GPU_RST_DONE	13D3	34C1
GPU_RST_DONE_R	34B4	
GPU_RST_N	34B3	13D8
GPU_SCAN_BUFF_EN_N	13A7	12A3
GPU_SPI_CLK	13B3	13A7
GPU_SPI_CLK_R	13A5	
GPU_SPI_CS_N	13B3	13A7
GPU_SPI_CS_N_R	13A5	
GPU_SPI_SI	13A2	13B4 13C7
GPU_SPI_SO	13C3	13A7
GPU_SPI_SO_R	13A5	
GPU_SPI_WP_N	13B4	13A4
GPU_SROM_EN_PSRO_OUT	13C5	
GPU_TCLK	13B7	
GPU_TCLK_R	34A8	13C7
GPU_TDI	13B7	
GPU_TDO	13B7	
GPU_TEMP_N	13C8	28A8
GPU_TEMP_P	28B1	13C8
GPU_TMS	13B7	
GPU_TRST	13B7	
GPU_TRST_ED	13B7	
GPU_VSYNC_OUT	13C4	28C6
HANA_AV_CLK	27B4	
HANA_CLK_DRV_RSET1	27C6	
HANA_CLK_DRV_RSET2	27C6	
HANA_DAC_RSET	28C5	
HANA_OP2_DN	28B2	28B6
HANA_OP2_DP	28A4	28B6
HANA_OP2_OUT	28B4	
HANA_POR_BYPASS	27D6	
HANA_SPDIF_OUT	28C3	43D6
HANA_TCLK	27B6	
HANA_TDI	27B6	
HANA_TDO	27B6	
HANA_TMS	27B6	

HANA_TRST	27B6	
HANA_V_12P0_DET	27D6	
HANA_V_12P0_DET_R	27D6	
HANA_XTAL_BYPASS	27C6	
HANA_XTAL_IN	27C6	
HANA_XTAL_OUT	27C6	
HANA_XTAL_VSS_CAP	27C6	
HBEDB_CLK_BYP	33D6	
HBEDB_CLK_SEL	33C6	
HDD_RX_DN	47C8	36B6
HDD_RX_DN_C	47C6	
HDD_RX_DP	47B8	36B6
HDD_RX_DP_C	47B6	
HDD_TX_DN	36B3	47D8
HDD_TX_DN_C	47D6	
HDD_TX_DP	36B3	47D8
HDD_TX_DP_C	47D6	
HDMI_CEC	29C3	
HDMI_DDC_CLK	28C3	34B8 43C1 29B5
HDMI_DDC_DATA	28C3	34C8 43C1 29B5
HDMI_EXT_SWING	28C4	
HDMI_HPD	29A1	28C6
HDMI_HPD_PIN	29B2	
HDMI_TX0_DN	28C3	32B3 29B8
HDMI_TX0_DN_CM	29C3	
HDMI_TX0_DP	28C3	32A3 29B8
HDMI_TX0_DP_CM	29C3	
HDMI_TX1_DN	28C3	32B3 29C8
HDMI_TX1_DN_CM	29C3	
HDMI_TX1_DP	28C3	32B3 29C8
HDMI_TX1_DP_CM	29C3	
HDMI_TX2_DN	28C3	32C3 29D8
HDMI_TX2_DN_CM	29C3	
HDMI_TX2_DP	28C3	32B3 29D8
HDMI_TX2_DP_CM	29C3	
HDMI_TXC_DN	28C3	32D3 29A8
HDMI_TXC_DN_CM	29C3	
HDMI_TXC_DP	28C3	32C3 29A8
HDMI_TXC_DP_CM	29C3	
I2S_BCLK	36C1	28C6 40C7
I2S_BCLK_R	36C4	
I2S_MCLK	36C1	40C7
I2S_MCLK_R	36C4	
I2S_SD	36C1	28B6 40C7
I2S_SD1	28B6	
I2S_SD2	28B6	
I2S_SD3	28B6	
I2S_SD_R	36C4	
I2S_WS	36C1	28C6 40C7
I2S_WS_R	36C4	
IR_DATA	42A4	34B6
KER_DBG_RXD	56D4	33C6
KER_DBG_TXD	33C1	56C6
KER_DBG_TXD_R	33C3	
LVLCNT	43B5	
MA_A<11..0>	19C8	20C8 14C5
MA_A<12..0>	14C5	

MA_BA<2..0>	14C5	19B8	20C8
MA_CAS_N	14B5	19B8	20B8
MA_CKE	14B5	19B8	20B8
MA_CLK0_DN	14C5	19C8	
MA_CLK0_DP	14C5	19D8	
MA_CLK1_DN	14C5	20C8	
MA_CLK1_DP	14C5	20D8	
MA_CS0_N	14B5	19B8	
MA_CS1_N	14B5	20B8	
MA_DM0	14B8	19B4	20B5
MA_DM1	14C8	19B4	20B5
MA_DM2	14C8	19C4	20C5
MA_DM3	14D8	19C4	20C5
MA_DQ0	14B8	19B4	20B5
MA_DQ1	14B8	19B4	20B5
MA_DQ2	14B8	19B4	20B5
MA_DQ3	14B8	19B4	20B5
MA_DQ4	14B8	19B4	20B5
MA_DQ5	14B8	19B4	20B5
MA_DQ6	14B8	19B4	20C5
MA_DQ7	14B8	19B4	20C5
MA_DQ8	14C8	19B4	20B5
MA_DQ9	14C8	19B4	20B5
MA_DQ10	14C8	19B4	20B5
MA_DQ11	14C8	19B4	20B5
MA_DQ12	14C8	19B4	20B5
MA_DQ13	14C8	19B4	20B5
MA_DQ14	14C8	19C4	20B5
MA_DQ15	14C8	19C4	20B5
MA_DQ16	14C8	19C4	20C5
MA_DQ17	14C8	19C4	20C5
MA_DQ18	14C8	19C4	20C5
MA_DQ19	14C8	19C4	20C5
MA_DQ20	14C8	19C4	20C5
MA_DQ21	14C8	19C4	20D5
MA_DQ22	14C8	19C4	20D5
MA_DQ23	14C8	19C4	20D5
MA_DQ24	14D8	19C4	20C5
MA_DQ25	14D8	19C4	20C5
MA_DQ26	14D8	19C4	20C5
MA_DQ27	14D8	19C4	20C5
MA_DQ28	14D8	19C4	20C5
MA_DQ29	14D8	19D4	20C5
MA_DQ30	14D8	19D4	20C5
MA_DQ31	14D8	19D4	20C5
MA_RAS_N	14B5	19B8	20B8
MA_RDQS0	19B4	20B5	14B8
MA_RDQS1	19B4	20B5	14C8
MA_RDQS2	19C4	20C5	14C8
MA_RDQS3	19C4	20C5	14D8
MA_VREF0	14A7		
MA_VREF1	14A8		
MA_WDQS0	14B8	19B4	20B5
MA_WDQS1	14C8	19B4	20B5
MA_WDQS2	14C8	19C4	20C5
MA_WDQS3	14D8	19C4	20C5
MA_WE_N	14B5	19B8	20B8

MA_ZQ_BOT	20B5		
MA_ZQ_TOP	19B5		
MB_A<11..0>	21C8 22C8	14C1	
MB_A<12..0>	14C1		
MB_BA<2..0>	14C1 21B8	22B8	
MB_CAS_N	14B1 21B8	22B8	
MB_CKE	14B1 21B8	22B8	
MB_CLK0_DN	14C1 21C8		
MB_CLK0_DP	14C1 21D8		
MB_CLK1_DN	14C1 22C8		
MB_CLK1_DP	14C1 22D8		
MB_CS0_N	14B1 21B8		
MB_CS1_N	14B1 22B8		
MB_DM0	14B4 21B4	22B4	
MB_DM1	14C4 21B4	22B4	
MB_DM2	14C4 21C4	22C4	
MB_DM3	14D4 21C4	22C4	
MB_DQ0	14B4 21B5	22B5	
MB_DQ1	14B4 21B5	22B5	
MB_DQ2	14B4 21B5	22B5	
MB_DQ3	14B4 21B5	22B5	
MB_DQ4	14B4 21B5	22B5	
MB_DQ5	14B4 21B5	22B5	
MB_DQ6	14B4 21B5	22B5	
MB_DQ7	14B4 21B5	22B5	
MB_DQ8	14C4 21B5	22B5	
MB_DQ9	14C4 21B5	22B5	
MB_DQ10	14C4 21B5	22B5	
MB_DQ11	14C4 21B5	22B5	
MB_DQ12	14C4 21B5	22B5	
MB_DQ13	14C4 21B5	22B5	
MB_DQ14	14C4 21B5	22B5	
MB_DQ15	14C4 21B5	22B5	
MB_DQ16	14C4 21C5	22C5	
MB_DQ17	14C4 21C5	22C5	
MB_DQ18	14C4 21C5	22C5	
MB_DQ19	14C4 21C5	22C5	
MB_DQ20	14C4 21C5	22C5	
MB_DQ21	14C4 21C5	22C5	
MB_DQ22	14C4 21C5	22C5	
MB_DQ23	14C4 21C5	22D5	
MB_DQ24	14D4 21C5	22C5	
MB_DQ25	14D4 21C5	22C5	
MB_DQ26	14D4 21C5	22C5	
MB_DQ27	14D4 21C5	22C5	
MB_DQ28	14D4 21C5	22C5	
MB_DQ29	14D4 21C5	22C5	
MB_DQ30	14D4 21C5	22C5	
MB_DQ31	14D4 21D5	22C5	
MB_RAS_N	14B1 21B8	22B8	
MB_RDQS0	21B4 22B4	14B4	
MB_RDQS1	21B4 22B4	14C4	
MB_RDQS2	21C4 22C4	14C4	
MB_RDQS3	21C4 22C4	14D4	
MB_VREF0	14A4		
MB_VREF1	14A4		
MB_WDQS0	14B4 21B4	22B4	

MB_WDQS1	14C4 21B4	22B4	
MB_WDQS2	14C4 21C4	22C4	
MB_WDQS3	14D4 21C4	22C4	
MB_WE_N	14B1 21B8	22B8	
MB_ZQ_BOT	22A5		
MB_ZQ_TOP	21A5		
MC_A<11..0>	23C8 24C8	15C5	
MC_A<12..0>	15C5		
MC_BA<2..0>	15C5 23B8	24B8	
MC_CAS_N	15B5 23B8	24B8	
MC_CKE	15C5 23B8	24B8	
MC_CLK0_DN	15C5 23C8		
MC_CLK0_DP	15C5 23D8		
MC_CLK1_DN	15C5 24C8		
MC_CLK1_DP	15D5 24D8		
MC_CS0_N	15B5 23B8		
MC_CS1_N	15B5 24B8		
MC_DM0	15B8 23B4	24B4	
MC_DM1	15C8 23B4	24B4	
MC_DM2	15C8 23C4	24C4	
MC_DM3	15D8 23C4	24C4	
MC_DQ0	15B8 23B4	24B4	
MC_DQ1	15B8 23B4	24B4	
MC_DQ2	15B8 23B4	24B4	
MC_DQ3	15B8 23B4	24B4	
MC_DQ4	15B8 23B4	24B4	
MC_DQ5	15B8 23B4	24B4	
MC_DQ6	15B8 23B4	24B4	
MC_DQ7	15B8 23B4	24C4	
MC_DQ8	15C8 23B4	24B4	
MC_DQ9	15C8 23B4	24B4	
MC_DQ10	15C8 23B4	24B4	
MC_DQ11	15C8 23B4	24B4	
MC_DQ12	15C8 23B4	24B4	
MC_DQ13	15C8 23B4	24B4	
MC_DQ14	15C8 23C4	24B4	
MC_DQ15	15C8 23C4	24B4	
MC_DQ16	15C8 23C4	24C4	
MC_DQ17	15C8 23C4	24C4	
MC_DQ18	15C8 23C4	24C4	
MC_DQ19	15C8 23C4	24C4	
MC_DQ20	15C8 23C4	24C4	
MC_DQ21	15C8 23C4	24C4	
MC_DQ22	15C8 23C4	24D4	
MC_DQ23	15D8 23C4	24C4	
MC_DQ24	15D8 23C4	24C4	
MC_DQ25	15D8 23C4	24C4	
MC_DQ26	15D8 23C4	24C4	
MC_DQ27	15D8 23C4	24C4	
MC_DQ28	15D8 23C4	24C4	
MC_DQ29	15D8 23D4	24C4	
MC_DQ30	15D8 23D4	24C4	
MC_DQ31	15D8 23D4	24C4	
MC_RAS_N	15B5 23B8	24B8	
MC_RDQS0	23B4 24B4	15B8	
MC_RDQS1	23B4 24B4	15C8	
MC_RDQS2	23C4 24C4	15C8	

MC_RDQS3	23C4 24C4	15D8	
MC_VREF0	15A7		
MC_VREF1	15A8		
MC_WDQS0	15B8 23B4	24B4	
MC_WDQS1	15C8 23B4	24B4	
MC_WDQS2	15C8 23C4	24C4	
MC_WDQS3	15D8 23C4	24C4	
MC_WE_N	15B5 23B8	24B8	
MC_ZQ_BOT	24B5		
MC_ZQ_TOP	23B5		
MD_A<11..0>	25C8 26C8	15C1	
MD_A<12..0>	15C1		
MD_BA<2..0>	15C1 25C8	26B8	
MD_CAS_N	15B1 25B8	26B8	
MD_CKE	15C1 25B8	26B8	
MD_CLK0_DN	15C1 25C8		
MD_CLK0_DP	15C1 25D8		
MD_CLK1_DN	15C1 26C8		
MD_CLK1_DP	15D1 26D8		
MD_CS0_N	15B1 25B8		
MD_CS1_N	15B1 26B8		
MD_DM0	15B4 25B4	26B4	
MD_DM1	15C4 25B4	26B4	
MD_DM2	15C4 25C4	26C4	
MD_DM3	15D4 25C4	26C4	
MD_DQ0	15B4 25B4	26B5	
MD_DQ1	15B4 25B4	26B5	
MD_DQ2	15B4 25B4	26B5	
MD_DQ3	15B4 25B4	26B5	
MD_DQ4	15B4 25B4	26B5	
MD_DQ5	15B4 25B4	26B5	
MD_DQ6	15B4 25B4	26C5	
MD_DQ7	15B4 25B4	26C5	
MD_DQ8	15C4 25B4	26B5	
MD_DQ9	15C4 25B4	26B5	
MD_DQ10	15C4 25B4	26B5	
MD_DQ11	15C4 25B4	26B5	
MD_DQ12	15C4 25C4	26B5	
MD_DQ13	15C4 25C4	26B5	
MD_DQ14	15C4 25C4	26B5	
MD_DQ15	15C4 25C4	26B5	
MD_DQ16	15C4 25C4	26C5	
MD_DQ17	15C4 25C4	26C5	
MD_DQ18	15C4 25C4	26C5	
MD_DQ19	15C4 25C4	26C5	
MD_DQ20	15C4 25C4	26C5	
MD_DQ21	15C4 25C4	26D5	
MD_DQ22	15C4 25C4	26D5	
MD_DQ23	15D4 25C4	26D5	
MD_DQ24	15D4 25C4	26C5	
MD_DQ25	15D4 25C4	26C5	
MD_DQ26	15D4 25C4	26C5	
MD_DQ27	15D4 25D4	26C5	
MD_DQ28	15D4 25D4	26C5	
MD_DQ29	15D4 25D4	26C5	
MD_DQ30	15D4 25D4	26C5	
MD_DQ31	15D4 25D4	26C5	

MD_RAS_N	15B1 25B8	26B8	
MD_RDQS0	25B4 26B4	15B4	
MD_RDQS1	25B4 26B4	15C4	
MD_RDQS2	25C4 26C4	15C4	
MD_RDQS3	25C4 26C4	15D4	
MD_VREF0	15A3		
MD_VREF1	15A4		
MD_WDQS0	15B4 25B4	26B4	
MD_WDQS1	15C4 25B4	26B4	
MD_WDQS2	15C4 25C4	26C4	
MD_WDQS3	15D4 25C4	26C4	
MD_WE_N	15B1 25B8	26B8	
MD_ZQ_BOT	26B5		
MD_ZQ_TOP	25B5		
MEMPORT1_DN	35C4 45B4		
MEMPORT1_DN_CM	45B2		
MEMPORT1_DP	35C4 45B4		
MEMPORT1_DP_CM	45B2		
MEMPORT2_DN	35B4 45C4		
MEMPORT2_DN_CM	45C2		
MEMPORT2_DP	35B4 45C4		
MEMPORT2_DP_CM	45C2		
MEM_A_VREF0	20A6 19B8	20B8	
MEM_A_VREF1	19A6 19B8	20B8	
MEM_B_VREF0	22A6 21B8	22B8	
MEM_B_VREF1	21A6 21B8	22B8	
MEM_CALA	13B7		
MEM_CALB	13B7		
MEM_C_VREF0	24A6 23B8	24B7	
MEM_C_VREF1	23A6 23B8	24B7	
MEM_D_VREF0	26A7 25B7	26B8	
MEM_D_VREF1	25A6 25B7	26B8	
MEM_RST	13B3 19C8	20C8 21C8	
22C8 23C8 24C8 25C8 26C8			
MEM_SCAN_BOT_EN	12A1 20B8	22B8 24B8	
26B8			
MEM_SCAN_BOT_EN_BUFF	13B3 12A4		
MEM_SCAN_EN	12D1 19B8	20B8 21B8	
22B8 23B8 24B8 25B8 26B8			
MEM_SCAN_EN_BUFF	13B3 12D4		
MEM_SCAN_TOP_EN	12B1 19B8	21B8 23B8	
25B8			
MEM_SCAN_TOP_EN_BUFF	13B3 12B4		
MII_COL	39B7 58B4	36C6	
MII_CRS	39B7 58B4	36C6	
MII_MDC_CLK_OUT	36D2 39C8	58B4	
MII_MDC_CLK_OUT_R	36D4		
MII_MDIO	36C6 39B8	58B4	
MII_RXD0	39C7 58B5	36C6	
MII_RXD1	39C7 58B4	36C6	
MII_RXD2	39C7 58B4	36C6	
MII_RXD3	39C7 58B4	36C6	
MII_RXDV	39C7 58B4	36C6	
MII_RXER	39C7 58B4	36C6	
MII_RX_CLK	39C7 58B4	36D7	
MII_RX_CLK_R	36D6		
MII_TXD0	36C3 39B7	58B4	

MII_TXD1	36C3	39B7	58B4
MII_TXD2	36C3	39B7	58B4
MII_TXD3	36C3	39C7	58B4
MII_TXEN	36C3	39C7	58B4
MII_TX_CLK	39C7	58B4	36D7
MII_TX_CLK_R	36D6		
ODD_RX_DN	47A8	36B6	
ODD_RX_DN_C	47A7		
ODD_RX_DP	47A8	36B6	
ODD_RX_DP_C	47A7		
ODD_TX_DN	36B3	47A8	
ODD_TX_DN_C	47A7		
ODD_TX_DP	36B3	47B8	
ODD_TX_DP_C	47B7		
PCIE_CLK_DN	27C1	33C6	
PCIE_CLK_DN_R	27C4		
PCIE_CLK_DP	27C1	33C6	
PCIE_CLK_DP_R	27C4		
PCIE_INT	33B3		
PEX_GPU_SB_L0_DN	13C1	33C7	
PEX_GPU_SB_L0_DN_C	13D4		
PEX_GPU_SB_L0_DP	13D1	33C7	
PEX_GPU_SB_L0_DP_C	13D4		
PEX_GPU_SB_L1_DN	13D1	33C7	
PEX_GPU_SB_L1_DN_C	13D4		
PEX_GPU_SB_L1_DP	13D1	33C7	
PEX_GPU_SB_L1_DP_C	13D4		
PEX_ICAL	13C8		
PEX_NCAL	13D7		
PEX_PCAL	13D8		
PEX_RBIA50	33C6		
PEX_RBIA51	33C6		
PEX_SB_GPU_L0_DN	33C1	13D8	
PEX_SB_GPU_L0_DN_C	33C3		
PEX_SB_GPU_L0_DP	33C1	13D8	
PEX_SB_GPU_L0_DP_C	33C3		
PEX_SB_GPU_L1_DN	33D1	13D8	
PEX_SB_GPU_L1_DN_C	33C3		
PEX_SB_GPU_L1_DP	33D1	13D8	
PEX_SB_GPU_L1_DP_C	33C3		
PIX_DATA<14..0>	13C3	28D6	
PSU_V12P0_EN	34B3	48C5	
PSU_V12P0_EN_R	48C2		
PWRSW_N	34C3	48B8	
PWRSW_N_R	48B7		
SATA_CLK_DN	27B1	33D6	
SATA_CLK_DN_R	27C4		
SATA_CLK_DP	27C1	33D6	
SATA_CLK_DP_R	27C4		
SATA_CLK_REF	27B1	33D6	
SATA_CLK_REF_R	27C4		
SATA_CLK_SEL	33D6		
SATA_RBIA5	36B5		
SB_DETECT	34C8		
SB_GPIO<0..15>	33B1	33B5	
SB_GPIO_RESERVED6	33B3		
SB_GPIO_RESERVED16	33B3		

SB_GPIO_RESERVED17	33B3		
SB_GPIO_RESERVED18	33B3		
SB_GPIO_RESERVED19	33B3		
SB_GPIO_RESERVED20	33B3		
SB_GPIO_RESERVED21	33B3		
SB_GPIO_RESERVED22	33B3		
SB_GPIO_RESERVED23	33B3		
SB_GPIO_RESERVED24	33B3		
SB_GPIO_RESERVED25	33B3		
SB_GPIO_RESERVED26	33B3		
SB_GPIO_RESERVED27	33B3		
SB_GPIO_RESERVED28	33B3		
SB_GPIO_RESERVED29	33C3		
SB_GPIO_RESERVED30	33C3		
SB_GPIO_RESERVED31	33C3		
SB_MAIN_PWRGD	34B1	34C6	
SB_MAIN_PWRGD_R	34B4		
SB_RST_N	34B3	34C6	
SB_SPDIF_OUT	36C1	28C6	
SB_TCLK	33A5		
SB_TDI	33A5		
SB_TDO	33A5		
SB_TMS	33A5		
SB_TRST	33A5		
SB_USB_RBIA5	35B7		
SCART_RGB	33B2	43A6	
SCART_RGB_OUT	43A3		
SCART_RGB_OUT_R	43A4		
SCART_RGB_R	43A5		
SMB_CLK	34B8	56C7	27B6
SMB_CLK_R	56C6		
SMB_DATA	27B7	34B8	56C3
SMB_DATA_R	56C5		
SMC_DBG_EN	56C6	34C6	
SMC_DBG_TXD	34C3	56C6	
SMC_DBG_TXD_R	34C4		
SMC_PWM0	34B3	28B8	
SMC_PWM1	34B4		
SMC_RST_N	27D3	34D6	46B8 56D3
SMC_RST_N_R	27D4		
SMC_RST_XDK_N	56C5		
SPDIF_R	36C4		
SPI_CLK	56D6	35D7	
SPI_MISO	35D3	56D8	
SPI_MISO_R	35D5		
SPI_MOSI	56D6	35D7	
SPI_SS_N	56D8	35D7	
STBY_CLK	27A1	34D6	
STBY_CLK_R	27C4		
TDR_DIFF_XDK1_DN	57A6		
TDR_DIFF_XDK1_DP	57A6		
TDR_DIFF_XDK2_DN	57B6		
TDR_DIFF_XDK2_DP	57B6		
TDR_DIFF_XDK3_DN	56A8		
TDR_DIFF_XDK3_DP	56A8		
TDR_SINGLE_XDK1	57A8		
TDR_SINGLE_XDK2	57B8		

TDR_SINGLE_XDK3	56B8		
TEMP_RSET	28B6		
TILT_SW_N	42B6	34B3	
TILT_SW_N_R	42B7		
TRAY_OPEN	34D8	47A1	
TRAY_OPEN_R	34C6		
TRAY_STATUS	47A4	34C6	
TRAY_STATUS_R	47A3		
USBPORTA2_DN	35C7		
USBPORTA2_DP	35C7		
USBPORTA3_DN	35C7		
USBPORTA3_DP	35C7		
VID_DACA_DN	28D4		
VID_DACA_DP	28D3	43D8	
VID_DACA_OUT	43D5	43C4	
VID_DACB_DN	28D4		
VID_DACB_DP	28D3	43C8	
VID_DACB_OUT	43C6	43C4	
VID_DACC_DN	28D4		
VID_DACC_DP	28D3	43C8	
VID_DACC_OUT	43C6	43C4	
VID_DACD_DN	28D4		
VID_DACD_DP	28D3	43B8	
VID_DACD_OUT	43B6	43C4	
VID_HSYNC_OUT	43A4	43C4	
VID_HSYNC_OUT_R	28C3	43A7	
VID_VSYNC_OUT	43A6	43C4	
VID_VSYNC_OUT_R	28C3	43A8	
VREG_3P3_EN	34C3	55D8	
VREG_3P3_EN_R	55D6		
VREG_CPU1_VCC	51B7		
VREG_CPU2_VCC	51C7		
VREG_CPU3_VCC	51D7		
VREG_CPUPLL_ADJUST	55A2		
VREG_CPUPLL_IN	55A4		
VREG_CPUPLL_R	55A1		
VREG_CPU_BG1	51A5		
VREG_CPU_BG2	51B5		
VREG_CPU_BG3	51C5		
VREG_CPU_BST1	51B6		
VREG_CPU_BST1_R	51A5		
VREG_CPU_BST2	51C6		
VREG_CPU_BST2_R	51C5		
VREG_CPU_BST3	51D6		
VREG_CPU_BST3_R	51D5		
VREG_CPU_COMP	50A5		
VREG_CPU_COMP_R	50A6		
VREG_CPU_CSCOMP	50C5		
VREG_CPU_CSCOMP_R	50B6		
VREG_CPU_CSREF	50B6		
VREG_CPU_CSREF_R	50B5		
VREG_CPU_CSSUM	50B6		
VREG_CPU_DELAY	50C3		
VREG_CPU_DRVH1	51A5		
VREG_CPU_DRVH2	51B5		
VREG_CPU_DRVH3	51D5		
VREG_CPU_DRV_EN	50C1	51D8	

VREG_CPU_EN	34B3	50D7	
VREG_CPU_FB	50A6		
VREG_CPU_FBRN	50B4		
VREG_CPU_PHASE1	51A1	50C8	
VREG_CPU_PHASE1_R	50C5		
VREG_CPU_PHASE2	51C1	50C8	
VREG_CPU_PHASE2_R	50C5		
VREG_CPU_PHASE3	51D1	50C8	
VREG_CPU_PHASE3_R	50C5		
VREG_CPU_PWM1	50C2	51A7	
VREG_CPU_PWM2	50C2	51B7	
VREG_CPU_PWM3	50C2	51D7	
VREG_CPU_PWRGD	50C2	34C1	
VREG_CPU_RAMPADJ	50C5		
VREG_CPU_RT	50B3		
VREG_CPU_SW1_R	51A2		
VREG_CPU_SW2_R	51B2		
VREG_CPU_SW3_R	51C2		
VREG_CPU_SW4	50C5		
VREG_CPU_VCC	50D6		
VREG_CPU_VID<5..0>	49C2	50C2	
VREG_EFUSE_EN	4D2	55C6	
VREG_EFUSE_EN_C1	55C4		
VREG_EFUSE_EN_C2	55D3		
VREG_EFUSE_EN_R	55C4		
VREG_GPU_5VREF	52C3	52C6	
VREG_GPU_COMP	52C6		
VREG_GPU_COMP_C	52C8		
VREG_GPU_COMP_R	52C7		
VREG_GPU_CPGD	52B6		
VREG_GPU_CS1	52C6		
VREG_GPU_CS2	52C6		
VREG_GPU_CSREF	52C6		
VREG_GPU_CSREF_R	52A8		
VREG_GPU_EN_N	34C3	52B3	
VREG_GPU_EN_N_R	52B1		
VREG_GPU_GH1	52A1	53C7	
VREG_GPU_GH1_R	52A3		
VREG_GPU_GH2	52A1	53D7	
VREG_GPU_GH2_R	52A3		
VREG_GPU_GL1	52A1	53B7	
VREG_GPU_GL1_R	52A3		
VREG_GPU_GL2	52A1	53C7	
VREG_GPU_GL2_R	52A3		
VREG_GPU_ILIM	52C4		
VREG_GPU_NPNC	52C2		
VREG_GPU_PH1_R	53B3		
VREG_GPU_PH2_R	53C3		
VREG_GPU_PHASE1	52D1	53B2 52B8	
VREG_GPU_PHASE1_C	52D2		
VREG_GPU_PHASE2	53D2	52B8	
VREG_GPU_PWRGD	52A1	34D1	
VREG_GPU_ROSC	52B6		
VREG_GPU_SEN	52C6		
VREG_GPU_VCC	52C4		
VREG_GPU_VCC	52C6		
VREG_GPU_VDRP	52C6		

VREG_GPU_VFB	52C6	
VREG_GPU_VFB_R	52D8	
VREG_GPU_VFFB	52D8	
VREG_GPU_VID0	52C3	
VREG_GPU_VID1	52D3	
VREG_GPU_VID2	52D4	
VREG_GPU_VID3	52D4	
VREG_GPU_VID4	52D4	
VREG_PCIEX_ADJUST	55B3	
VREG_PCIEX_R	55B1	
VREG_V1P8_BST1	54C4	
VREG_V1P8_COMP1	54B4	
VREG_V1P8_COMP1_R	54B3	
VREG_V1P8_CSL1	54C4	
VREG_V1P8_DH1	54C4	
VREG_V1P8_DL1	54C4	
VREG_V1P8_EN	34B3	54A3
VREG_V1P8_FB1	54A1	
VREG_V1P8_SW1	54C4	
VREG_V5P0_BST2	54C6	
VREG_V5P0_COMP2	54B6	
VREG_V5P0_COMP2_R	54B7	
VREG_V5P0_CSL2	54C6	
VREG_V5P0_DH2	54C6	
VREG_V5P0_DL2	54C6	
VREG_V5P0_EN	34B3	54A8
VREG_V5P0_EN_R	54A6	
VREG_V5P0_FB2	54B8	
VREG_V5P0_FB2_R	54B8	
VREG_V5P0_SEL	34B3	46A8
VREG_V5P0_SEL_B1	46A7	
VREG_V5P0_SEL_B2	46A6	
VREG_V5P0_SEL_C	46A7	
VREG_V5P0_SEL_NGATE	46A6	
VREG_V5P0_SEL_PGATE	46A6	
VREG_V5P0_SS2	54B5	
VREG_V5P0_SW2	54C6	
VREG_V5P0_VMEM_PWRGD	34A8	54A7
VREG_VDD_PEX_ADJ	55A7	
VREG_VDD_PEX_R	55A5	
V_AVDD0_SATA	38B6	
V_AVDD1_SATA	38C6	
V_AVDD_PEX	38D6	
V_AVDD_USB	37C6	
V_AVIP	43D3	29D3
V_AVSS0_SATA	38B6	
V_AVSS1_SATA	38C6	
V_AVSS_PEX	38D6	
V_AVSS_USB	37C6	
V_CMPAVDD18_USB	37C6	
V_CMPAVDD33_USB	37A7	37C2
V_CMPAVDD_SATA	38B6	
V_CMPAVSS18_USB	37C6	
V_CMPAVSS33_USB	37C6	
V_CMPAVSS_SATA	38B6	
V_CPU_CORE_HF_GNDA_PLL	6C5	
V_CPU_CORE_HF_VDDA_PLL	6C5	

V_CPU_CORE_IF_GNDA_PLL	6C5			
V_CPU_CORE_IF_VDDA_PLL	6C5			
V_CPU_FSB_HF_GNDA_PLL	6C5			
V_CPU_FSB_HF_VDDA_PLL	6C5			
V_CPU_FSB_IF_GNDA_PLL	6B5			
V_CPU_FSB_IF_VDDA_PLL	6B5			
V_CPU_GNDA_RNG	6B5			
V_CPU_VDDA_RNG	6B5			
V_ENET	39A3	39B8	39B8	39D5
44B6	58B1	58C5		
V_EXPPORT	44C7	44D3	44D7	
V_FAN1	42C3			
V_GAMEPORT1	45B7			
V_GAMEPORT2	45D7			
V_HANA_VAA_DAC33M	30C7			
V_HANA_VAA_RTS33S	30D6			
V_HANA_VAA_XTAL_33S	30C7			
V_HANA_VDD18S	31D4			
V_HANA_VDDIO_33S_AVCC	31C7			
V_HANA_VDDIO_33S_PVCC0	31B7			
V_HDD	47B4			
V_IR	42A6			
V_MEMPORT1	45D1			
V_MEMPORT2	45D2			
V_PVDDA	16C4			
V_PVDDA_ED	16C5			
V_PVDDA_FSB	16B5			
V_PVDDA_MEM	16C5			
V_V3P3TOV1P8	53A6			
V_VDD18_USB	37C6			
V_VDD33_USB	37B5			
V_VDD_PEX_FB	38D6			
V_VDD_SATA	38B6			
V_VREG_CPU	49B4	50D6	50D7	51D5
51D8				
V_VREG_GPU	49B1	52D4	52D7	53D7
V_VREG_V1P8V5P0	54D4	32D5		
V_XPOD	47B3			
WSS_CNTL0	33B2	43B6		
WSS_CNTL1	33B2	43B6		
WSS_CNTL_B	43B4			
WSS_CNTL_E	43B5			
WSS_CNTL_OUT	43B3			
WSS_CNTL_OUT_R	43B4			
XUSB_CLK_BYP	33C6			
XUSB_CLK_SEL	33C6			



Title: Cref Part Report  
 Design: zephyr  
 Date: Sep 14 16:32:56 2006

C1A2 CAPN\_402 [44B3]  
 C1A3 CAPN\_402 [44D4]  
 C1A4 CAPN\_402 [44C6]  
 C1A5 CAP\_P\_RDL [39A7]  
 C1B1 CAPN\_805 [39A6]  
 C1B2 CAPN\_402 [32B7]  
 C1B3 CAPN\_402 [32B7]  
 C1B4 CAPN\_402 [27A5]  
 C1C1 CAPN\_402 [32B7]  
 C1C2 CAPN\_402 [33A3]  
 C1C3 CAPN\_402 [47A7]  
 C1C4 CAPN\_402 [47A7]  
 C1C5 CAPN\_402 [47A7]  
 C1C6 CAPN\_402 [47B7]  
 C1C7 CAPN\_402 [32C7]  
 C1C8 CAPN\_402 [32D5]  
 C1C9 CAPN\_402 [36B6]  
 C1C10 CAP\_P\_RDL [47A6]  
 C1C11 CAP\_P\_RDL [47A5]  
 C1C12 CAPN\_402 [32B6]  
 C1C13 CAPN\_603 [47A5]  
 C1C14 CAPN\_603 [47A5]  
 C1C15 CAPN\_402 [32B8]  
 C1D1 CAPN\_603 [47A5]  
 C1D2 CAPN\_805 [38C2]  
 C1D3 CAPN\_402 [47A5]  
 C1D4 CAPN\_603 [47A5]  
 C1D6 CAPN\_603 [47A4]  
 C1D7 CAPN\_402 [56D6]  
 C1D8 CAPN\_402 [32C7]  
 C1D9 CAP\_P\_RDL [47A6]  
 C1D10 CAPN\_402 [32B7]  
 C1D11 CAP\_P\_RDL [46A5]  
 C1E1 CAPN\_402 [47B7]  
 C1E2 CAPN\_402 [47C7]  
 C1E3 CAPN\_402 [47D7]  
 C1E4 CAPN\_402 [47D7]  
 C1E5 CAP\_P\_RDL [47B4]  
 C1F1 CAPN\_402 [32C5]  
 C1F2 CAPN\_402 [32B6]  
 C1F3 CAP\_P\_RDL [55D4]  
 C1F4 CAP\_P\_RDL [45A2]  
 C1F5 CAPN\_603 [55D5]  
 C1F6 CAPN\_603 [45A2]  
 C1G1 CAPN\_402 [32B6]  
 C1M1 CAPN\_402 [44B4]  
 C1M2 CAPN\_805 [44D4]  
 C1N1 CAPN\_402 [39A6]  
 C1N2 CAPN\_402 [39A4]  
 C1N3 CAPN\_402 [39A5]  
 C1N4 CAPN\_402 [39A5]  
 C1N5 CAPN\_402 [39A5]

C1N6 CAPN\_402 [58A3]  
 C1N7 CAPN\_805 [58C3]  
 C1N8 CAPN\_805 [58C3]  
 C1N9 CAPN\_402 [39A5]  
 C1N10 CAPN\_402 [39A4]  
 C1N11 CAPN\_402 [39A4]  
 C1N12 CAPN\_402 [32C7]  
 C1N13 CAPN\_402 [32B6]  
 C1N14 CAPN\_402 [58C2]  
 C1P1 CAPN\_402 [38A6]  
 C1P2 CAPN\_805 [38B8]  
 C1P3 CAPN\_603 [38B7]  
 C1P4 CAPN\_402 [38B7]  
 C1P5 CAPN\_603 [38B7]  
 C1P6 CAPN\_402 [38B7]  
 C1P7 CAPN\_805 [38B8]  
 C1P8 CAPN\_805 [38A7]  
 C1P9 CAPN\_402 [27A7]  
 C1P10 CAPN\_603 [38A7]  
 C1P11 CAPN\_402 [38A7]  
 C1P13 CAPN\_402 [28A5]  
 C1R1 CAPN\_402 [47A4]  
 C1R2 CAPN\_402 [56C7]  
 C1R3 CAPN\_402 [46A5]  
 C1R4 CAPN\_402 [47A1]  
 C1T1 CAPN\_603 [47B3]  
 C1T2 CAPN\_402 [47B3]  
 C1T3 CAPN\_402 [47B3]  
 C1T4 CAPN\_603 [47B3]  
 C1T5 CAPN\_603 [47B4]  
 C1U1 CAPN\_805 [55D6]  
 C1U2 CAPN\_805 [45A3]  
 C2A1 CAPN\_402 [43D3]  
 C2A3 CAPN\_402 [43A2]  
 C2A4 CAP\_P\_RDL [44D4]  
 C2A6 CAPN\_402 [43D5]  
 C2A7 CAPN\_1206 [40D6]  
 C2A8 CAPN\_402 [43B4]  
 C2A9 CAPN\_402 [29D3]  
 C2B1 CAPN\_805 [40C7]  
 C2B2 CAPN\_402 [40B2]  
 C2B3 CAPN\_402 [40C2]  
 C2B4 CAPN\_402 [40C5]  
 C2B5 CAPN\_402 [40C7]  
 C2B6 CAPN\_402 [40C7]  
 C2B7 CAPN\_603 [40D6]  
 C2B8 CAPN\_805 [40C5]  
 C2B9 CAP\_P\_1206 [40B5]  
 C2B10 CAP\_P\_1206 [40D5]  
 C2B11 CAPN\_805 [40C7]  
 C2B12 CAPN\_402 [56C4]  
 C2B14 CAPN\_402 [27A5]  
 C2B15 CAPN\_603 [56C4]  
 C2B16 CAPN\_402 [33A3]  
 C2B17 CAPN\_402 [27A4]  
 C2C1 CAPN\_402 [33D2]  
 C2C2 CAPN\_402 [33D2]

C2C3 CAPN\_402 [33C2]  
 C2C4 CAPN\_402 [33C2]  
 C2C5 CAPN\_805 [55A8]  
 C2C6 CAPN\_402 [55A7]  
 C2D1 CAPN\_402 [25A2]  
 C2D2 CAPN\_402 [25A3]  
 C2D3 CAPN\_805 [23A4]  
 C2D4 CAPN\_402 [25A1]  
 C2D5 CAPN\_402 [12A3]  
 C2D6 CAP\_P\_RDL [53A4]  
 C2E1 CAPN\_402 [23A3]  
 C2E2 CAPN\_805 [25A4]  
 C2E3 CAPN\_402 [23A1]  
 C2E4 CAPN\_402 [12D3]  
 C2E5 CAPN\_402 [41C5]  
 C2E6 CAPN\_805 [41C5]  
 C2E8 CAPN\_805 [23A3]  
 C2F1 CAP\_P\_8X8 [54B2]  
 C2F2 CAPN\_402 [32D6]  
 C2F3 CAP\_P\_8X8 [54B2]  
 C2G1 CAPN\_402 [32C6]  
 C2G2 CAP\_P\_RDL [45B2]  
 C2G3 CAPN\_805 [45B2]  
 C2M2 CAPN\_402 [43A1]  
 C2M3 CAPN\_402 [43A2]  
 C2M4 CAPN\_402 [43A3]  
 C2M5 CAPN\_805 [43D4]  
 C2N1 CAPN\_402 [37A1]  
 C2N3 CAPN\_402 [43A1]  
 C2P1 CAPN\_805 [38A2]  
 C2P2 CAPN\_402 [37B6]  
 C2P3 CAPN\_402 [37B6]  
 C2P4 CAPN\_603 [38A2]  
 C2P5 CAPN\_402 [37A1]  
 C2P6 CAPN\_402 [37A6]  
 C2P7 CAPN\_402 [27A8]  
 C2P8 CAPN\_805 [37A8]  
 C2P9 CAPN\_402 [38B2]  
 C2P10 CAPN\_805 [38C7]  
 C2P11 CAPN\_402 [38B2]  
 C2P12 CAPN\_402 [38B3]  
 C2P13 CAPN\_402 [38B3]  
 C2P14 CAPN\_402 [38B2]  
 C2P15 CAPN\_402 [38D2]  
 C2P16 CAPN\_402 [38D3]  
 C2P17 CAPN\_402 [38D2]  
 C2P18 CAPN\_402 [33C6]  
 C2P20 CAPN\_603 [38C2]  
 C2P21 CAPN\_402 [38D3]  
 C2P22 CAPN\_402 [38D4]  
 C2P23 CAPN\_402 [37B1]  
 C2P24 CAPN\_402 [27A5]  
 C2P25 CAPN\_402 [33C7]  
 C2P26 CAPN\_402 [38D7]  
 C2P27 CAPN\_603 [38D7]  
 C2P28 CAPN\_402 [38D3]  
 C2P29 CAPN\_402 [38D1]

C2P30 CAPN\_402 [38D2]  
 C2P31 CAPN\_402 [38C6]  
 C2P32 CAPN\_402 [38C7]  
 C2P33 CAPN\_402 [38D1]  
 C2P34 CAPN\_603 [37A7]  
 C2P35 CAPN\_402 [37A7]  
 C2P37 CAPN\_402 [37B2]  
 C2P38 CAPN\_402 [37B2]  
 C2P39 CAPN\_603 [38C2]  
 C2P40 CAPN\_402 [35B7]  
 C2P41 CAPN\_402 [37B7]  
 C2P42 CAPN\_402 [37C6]  
 C2P43 CAPN\_402 [37C6]  
 C2P44 CAPN\_402 [37A7]  
 C2P45 CAPN\_805 [37B7]  
 C2P46 CAPN\_603 [37C7]  
 C2P47 CAPN\_603 [37C7]  
 C2P48 CAPN\_603 [37A7]  
 C2P50 CAPN\_402 [28D7]  
 C2P51 CAPN\_603 [34D6]  
 C2P52 CAPN\_402 [38A7]  
 C2R1 CAPN\_402 [28D8]  
 C2R2 CAPN\_402 [28D8]  
 C2R3 CAPN\_805 [37B8]  
 C2R4 CAPN\_603 [53A4]  
 C2R5 CAPN\_805 [37C8]  
 C2R6 CAPN\_805 [37A8]  
 C2R7 CAPN\_402 [26A3]  
 C2R8 CAPN\_402 [26A1]  
 C2R9 CAPN\_402 [23A7]  
 C2R10 CAPN\_402 [26A1]  
 C2R11 CAPN\_402 [41C4]  
 C2R12 CAPN\_402 [12C3]  
 C2R13 CAPN\_402 [26A5]  
 C2T1 CAPN\_402 [24A3]  
 C2T2 CAPN\_402 [25A7]  
 C2T3 CAPN\_402 [24A1]  
 C2T4 CAPN\_402 [32B7]  
 C2T5 CAPN\_603 [53A5]  
 C2T6 CAPN\_402 [26A4]  
 C2T7 CAPN\_805 [26B4]  
 C2V1 CAPN\_805 [42A6]  
 C2V2 CAPN\_402 [42A6]  
 C3A1 CAPN\_402 [43C6]  
 C3A2 CAPN\_402 [43C6]  
 C3A3 CAPN\_402 [43D6]  
 C3A4 CAPN\_402 [43C7]  
 C3A5 CAPN\_402 [43C7]  
 C3A6 CAPN\_402 [43D7]  
 C3A7 CAPN\_402 [43B7]  
 C3A8 CAPN\_402 [43B6]  
 C3A9 CAPN\_603 [42C3]  
 C3B1 CAPN\_402 [27B2]  
 C3B2 CAPN\_402 [27A2]  
 C3B4 CAPN\_402 [27A1]  
 C3B6 CAPN\_402 [27D8]  
 C3B7 CAPN\_402 [27D8]

C3B8	CAPN_402	[56B4]
C3B9	CAPN_603	[56B4]
C3B12	CAPN_402	[27A2]
C3C1	CAPN_805	[55A5]
C3C2	CAPN_805	[13A2]
C3C5	CAPN_805	[23A4]
C3C6	CAPN_805	[30A6]
C3D1	CAPN_402	[25A2]
C3D2	CAPN_402	[25A2]
C3D3	CAPN_402	[24A7]
C3D4	CAPN_402	[25A2]
C3D5	CAPN_402	[25A1]
C3D6	CAPN_402	[25A1]
C3E1	CAPN_402	[23A2]
C3E2	CAPN_402	[23A2]
C3E3	CAPN_402	[23A2]
C3E4	CAPN_402	[26A7]
C3E5	CAPN_402	[23A2]
C3E6	CAPN_402	[23A1]
C3E7	CAPN_402	[23A1]
C3E8	CAPN_402	[26A4]
C3F1	CAPN_402	[19A2]
C3F3	CAPN_402	[19A3]
C3F5	CAPN_402	[26A4]
C3F6	CAP_P_8X8	[54B2]
C3G3	CAPN_402	[32C6]
C3N1	CAPN_402	[32B5]
C3N2	CAPN_402	[32D7]
C3N3	CAPN_805	[30A3]
C3N6	CAPN_402	[27A7]
C3N10	CAPN_402	[28D7]
C3P1	CAPN_805	[31D2]
C3P3	CAPN_805	[38D8]
C3P4	CAPN_402	[28D8]
C3R1	CAPN_402	[26A2]
C3R2	CAPN_402	[26A2]
C3R3	CAPN_402	[25D4]
C3R4	CAPN_402	[26A2]
C3R5	CAPN_805	[15A6]
C3R6	CAPN_402	[26A1]
C3R7	CAPN_402	[26A2]
C3R8	CAPN_402	[13A1]
C3R9	CAPN_402	[13A2]
C3T1	CAPN_402	[24A3]
C3T2	CAPN_402	[24A2]
C3T3	CAPN_402	[24A2]
C3T4	CAPN_402	[24C4]
C3T5	CAPN_402	[24A2]
C3T6	CAPN_402	[24A1]
C3T7	CAPN_402	[24A2]
C3U1	CAPN_402	[20A2]
C3U2	CAPN_402	[20A3]
C3U3	CAPN_402	[32B7]
C3U4	CAPN_402	[26A4]
C3U5	CAPN_603	[54B1]
C3V5	CAPN_402	[45B2]
C3V6	CAPN_603	[54D2]

C3V7	CAPN_603	[54C4]
C3V8	CAPN_402	[54A6]
C4A1	CAPN_402	[32C7]
C4B3	CAPN_402	[28A6]
C4B4	CAPN_402	[32C2]
C4B10	CAPN_402	[32B2]
C4B11	CAPN_402	[32A2]
C4B12	CAPN_402	[32D2]
C4B13	CAPN_402	[27D6]
C4C6	CAPN_805	[55B4]
C4D1	CAPN_402	[13D3]
C4D2	CAPN_402	[13D3]
C4D3	CAPN_402	[13D3]
C4D4	CAPN_402	[16D6]
C4D5	CAPN_402	[16D6]
C4D6	CAPN_603	[16D7]
C4D7	CAPN_402	[13C3]
C4F1	CAPN_402	[19A1]
C4F2	CAPN_402	[20A7]
C4F3	CAPN_402	[19A1]
C4F4	CAPN_402	[21A2]
C4F5	CAPN_402	[21A2]
C4F6	CAPN_402	[19A1]
C4F7	CAPN_402	[19A2]
C4F8	CAPN_402	[21A2]
C4F9	CAPN_402	[19A2]
C4F10	CAPN_402	[21A3]
C4F11	CAPN_402	[19A2]
C4F12	CAPN_805	[19A4]
C4F13	CAPN_402	[32D4]
C4F14	CAPN_402	[26A3]
C4F15	CAPN_402	[26A3]
C4G1	CAPN_402	[54B1]
C4N1	CAPN_402	[32A8]
C4N3	CAPN_805	[31C8]
C4N4	CAPN_805	[31B7]
C4N5	CAPN_402	[31C7]
C4N6	CAPN_805	[31C7]
C4N7	CAPN_805	[31B7]
C4N8	CAPN_805	[30A5]
C4N9	CAPN_402	[31C7]
C4N10	CAPN_402	[31C7]
C4N11	CAPN_402	[31B6]
C4N12	CAPN_402	[31C7]
C4N13	CAPN_402	[31C6]
C4N14	CAPN_402	[31C7]
C4N15	CAPN_805	[30C8]
C4N16	CAPN_402	[30C7]
C4N17	CAPN_402	[30B8]
C4N18	CAPN_402	[30A8]
C4N19	CAPN_402	[30A8]
C4N20	CAPN_402	[30A8]
C4N21	CAPN_402	[31C2]
C4N22	CAPN_402	[31C2]
C4N23	CAPN_402	[30C7]
C4N24	CAPN_805	[30C7]
C4N25	CAPN_805	[30A5]

C4N26	CAPN_402	[30A1]
C4N27	CAPN_402	[30A3]
C4N28	CAPN_402	[30A7]
C4N29	CAPN_402	[30C7]
C4N30	CAPN_402	[31C3]
C4N31	CAPN_402	[30B8]
C4N32	CAPN_402	[31C4]
C4N33	CAPN_402	[31C3]
C4N34	CAPN_402	[30B7]
C4N35	CAPN_402	[30D6]
C4N36	CAPN_805	[30D7]
C4N37	CAPN_805	[30D7]
C4N40	CAPN_402	[32C8]
C4N41	CAPN_402	[31C3]
C4N42	CAPN_402	[30A7]
C4P1	CAPN_402	[30A2]
C4P2	CAPN_402	[28B7]
C4P3	CAPN_805	[31D3]
C4P4	CAPN_402	[31D3]
C4P5	CAPN_402	[30B7]
C4P6	CAPN_402	[30A4]
C4P7	CAPN_402	[31C2]
C4P8	CAPN_402	[30A7]
C4P9	CAPN_402	[30A2]
C4P11	CAPN_402	[30A2]
C4P13	CAPN_805	[30A6]
C4P14	CAPN_402	[42C4]
C4R3	CAPN_805	[14A6]
C4R4	CAPN_402	[16C6]
C4R5	CAPN_402	[16B6]
C4R6	CAPN_402	[16C6]
C4R7	CAPN_402	[16B6]
C4R8	CAPN_402	[16C5]
C4R9	CAPN_402	[18A4]
C4R10	CAPN_402	[15A7]
C4R11	CAPN_402	[18D7]
C4R12	CAPN_402	[15A2]
C4R13	CAPN_402	[18D5]
C4R14	CAPN_402	[18A4]
C4R15	CAPN_402	[15A2]
C4R16	CAPN_402	[18D6]
C4R17	CAPN_402	[18C7]
C4R18	CAPN_402	[18A8]
C4R19	CAPN_402	[15A1]
C4R20	CAPN_402	[18D8]
C4R21	CAPN_402	[18C6]
C4R22	CAPN_402	[18C6]
C4R23	CAPN_402	[15A6]
C4R24	CAPN_402	[18B4]
C4R25	CAPN_402	[15A8]
C4R26	CAPN_402	[13A1]
C4R27	CAPN_402	[12A7]
C4R28	CAPN_402	[18D6]
C4R29	CAPN_805	[18D1]
C4R30	CAPN_805	[18C2]
C4R31	CAPN_402	[15A2]
C4R32	CAPN_402	[15A5]

C4R33	CAPN_402	[12A6]
C4R34	CAPN_402	[18B7]
C4R35	CAPN_402	[18B6]
C4R36	CAPN_402	[18B7]
C4R37	CAPN_402	[18C8]
C4R38	CAPN_402	[15A6]
C4R39	CAPN_402	[18B8]
C4R40	CAPN_402	[18B4]
C4R41	CAPN_402	[18C5]
C4R42	CAPN_402	[18A7]
C4R43	CAPN_402	[18A6]
C4R44	CAPN_402	[18C6]
C4R45	CAPN_402	[12A6]
C4R46	CAPN_402	[18B6]
C4R47	CAPN_402	[18C7]
C4R48	CAPN_402	[15A5]
C4R49	CAPN_402	[18A8]
C4R50	CAPN_402	[15A1]
C4R51	CAPN_402	[15A5]
C4R54	CAPN_402	[18A6]
C4R55	CAPN_402	[18C7]
C4R56	CAPN_402	[18A6]
C4R57	CAPN_402	[18B8]
C4R58	CAPN_402	[18A5]
C4R59	CAPN_402	[18C8]
C4R60	CAPN_402	[12A5]
C4R61	CAPN_402	[15A2]
C4R62	CAPN_402	[18A6]
C4R63	CAPN_402	[18A6]
C4R64	CAPN_402	[15A3]
C4R65	CAPN_402	[12A5]
C4R66	CAPN_402	[15A6]
C4R67	CAPN_402	[16C5]
C4R68	CAPN_603	[16C7]
C4R69	CAPN_805	[18B1]
C4T1	CAPN_402	[18A7]
C4T2	CAPN_402	[18A6]
C4T3	CAPN_402	[18A8]
C4T4	CAPN_402	[18B5]
C4T5	CAPN_402	[18C6]
C4T6	CAPN_402	[18C8]
C4T7	CAPN_402	[15A2]
C4T8	CAPN_402	[18B6]
C4T11	CAPN_402	[18B8]
C4T12	CAPN_402	[15A5]
C4T13	CAPN_402	[12A5]
C4T14	CAPN_402	[15A5]
C4T15	CAPN_402	[18A5]
C4T16	CAPN_402	[18A7]
C4T17	CAPN_805	[18C1]
C4T18	CAPN_402	[18B6]
C4T19	CAPN_402	[18B6]
C4T20	CAPN_402	[18B7]
C4T21	CAPN_402	[18C6]
C4T22	CAPN_402	[12A6]
C4T23	CAPN_402	[18C6]
C4T24	CAPN_402	[18B6]

C4T25 CAPN\_402 [18B5]  
 C4T26 CAPN\_402 [18B5]  
 C4T27 CAPN\_402 [14A6]  
 C4T28 CAPN\_805 [15A2]  
 C4T29 CAPN\_402 [14A6]  
 C4T30 CAPN\_402 [16C6]  
 C4T31 CAPN\_402 [14A2]  
 C4T32 CAPN\_402 [14A5]  
 C4T33 CAPN\_402 [14A2]  
 C4T34 CAPN\_402 [14A2]  
 C4T35 CAPN\_402 [14A6]  
 C4T36 CAPN\_402 [15A4]  
 C4T37 CAPN\_402 [16C6]  
 C4T38 CAPN\_402 [15A1]  
 C4T39 CAPN\_402 [14A1]  
 C4T40 CAPN\_402 [14A8]  
 C4T41 CAPN\_402 [14A5]  
 C4T42 CAPN\_402 [14A5]  
 C4T43 CAPN\_402 [14A5]  
 C4T44 CAPN\_402 [14A5]  
 C4T45 CAPN\_402 [14A7]  
 C4T46 CAPN\_402 [14A3]  
 C4T47 CAPN\_805 [14A2]  
 C4T48 CAPN\_603 [16C7]  
 C4U1 CAPN\_402 [20A1]  
 C4U2 CAPN\_402 [20A1]  
 C4U3 CAPN\_402 [22A2]  
 C4U4 CAPN\_402 [22A2]  
 C4U5 CAPN\_402 [20A1]  
 C4U6 CAPN\_402 [20A2]  
 C4U7 CAPN\_402 [22A2]  
 C4U8 CAPN\_402 [20A2]  
 C4U9 CAPN\_402 [19A7]  
 C4U10 CAPN\_402 [22A3]  
 C4U11 CAPN\_402 [20A2]  
 C4U12 CAPN\_402 [26A3]  
 C4V1 CAPN\_402 [54B8]  
 C4V6 CAPN\_402 [45D2]  
 C4V7 CAPN\_603 [54D3]  
 C4V8 CAPN\_603 [54C6]  
 C4V9 CAPN\_402 [54B4]  
 C4V10 CAPN\_402 [54B3]  
 C4V11 CAPN\_402 [54B2]  
 C4V12 CAPN\_402 [54B7]  
 C4V13 CAPN\_402 [54B6]  
 C4V14 CAPN\_402 [54B5]  
 C4V15 CAPN\_603 [54C6]  
 C5B1 CAPN\_603 [55C7]  
 C5B2 CAP\_P\_RDL [55C6]  
 C5B3 CAPN\_805 [55C8]  
 C5B4 CAP\_P\_RDL [55B6]  
 C5B6 CAPN\_603 [55B6]  
 C5B7 CAP\_P\_RDL [48B3]  
 C5C3 CAPN\_402 [13A3]  
 C5C5 CAPN\_805 [55B1]  
 C5C6 CAPN\_603 [53C3]  
 C5C8 CAP\_P\_8X8 [49A1]

C5C9 CAP\_P\_8X8 [49A1]  
 C5D2 CAPN\_805 [18D2]  
 C5D3 CAPN\_805 [18B1]  
 C5D4 CAPN\_805 [18A1]  
 C5D5 CAPN\_805 [18A1]  
 C5D6 CAPN\_805 [18A1]  
 C5E1 CAPN\_402 [14A4]  
 C5F1 CAPN\_402 [22A7]  
 C5F2 CAPN\_402 [21A1]  
 C5F3 CAPN\_402 [21A1]  
 C5F4 CAPN\_402 [21A1]  
 C5F5 CAPN\_402 [21A2]  
 C5F6 CAPN\_805 [21A4]  
 C5F8 CAP\_P\_RDL [21A4]  
 C5G1 CAPN\_402 [32C4]  
 C5G3 CAPN\_402 [32C6]  
 C5G4 CAP\_P\_RDL [45D2]  
 C5G5 CAPN\_402 [32C5]  
 C5G6 CAPN\_805 [45D2]  
 C5N1 CAPN\_402 [32A8]  
 C5N2 CAPN\_402 [32B5]  
 C5N3 CAPN\_805 [55B8]  
 C5P1 CAPN\_402 [55B3]  
 C5R1 CAPN\_805 [18B2]  
 C5R2 CAPN\_805 [18B2]  
 C5R3 CAPN\_805 [18A2]  
 C5R4 CAPN\_805 [18C2]  
 C5R5 CAPN\_805 [18C2]  
 C5R6 CAPN\_805 [18A2]  
 C5R7 CAPN\_402 [16C5]  
 C5R8 CAPN\_402 [18B4]  
 C5R9 CAPN\_402 [18D4]  
 C5R10 CAPN\_402 [18C4]  
 C5R11 CAPN\_805 [18A2]  
 C5R12 CAPN\_402 [18C4]  
 C5R13 CAPN\_402 [16A6]  
 C5R14 CAPN\_402 [18A4]  
 C5R15 CAPN\_402 [16A6]  
 C5R16 CAPN\_402 [18C4]  
 C5R17 CAPN\_402 [18C5]  
 C5R18 CAPN\_402 [12A6]  
 C5R19 CAPN\_603 [16A7]  
 C5R20 CAPN\_805 [18B2]  
 C5T1 CAPN\_402 [14A1]  
 C5T2 CAPN\_402 [14A1]  
 C5T3 CAPN\_402 [14A2]  
 C5T4 CAPN\_402 [14A2]  
 C5U1 CAPN\_402 [22A1]  
 C5U2 CAPN\_402 [22A1]  
 C5U3 CAPN\_402 [22A1]  
 C5U4 CAPN\_402 [22A2]  
 C5U5 CAPN\_402 [21A7]  
 C5V1 CAPN\_402 [32C7]  
 C6B1 CAPN\_402 [32C7]  
 C6B2 CAPN\_1206 [53D5]  
 C6B3 CAP\_P\_RDL [49B3]  
 C6B5 CAPN\_1206 [49B2]

C6C1 CAP\_P\_RDL [49A2]  
 C6C2 CAP\_P\_RDL [49A2]  
 C6C3 CAP\_P\_RDL [49A3]  
 C6D1 CAPN\_402 [6C7]  
 C6D4 CAPN\_603 [6C6]  
 C6E1 CAPN\_805 [18C1]  
 C6E2 CAPN\_805 [18C1]  
 C6F1 CAPN\_402 [4A2]  
 C6F3 CAP\_P\_RDL [54D8]  
 C6G2 CAPN\_402 [48D6]  
 C6G3 CAPN\_402 [48C6]  
 C6G4 CAPN\_402 [48C6]  
 C6G5 CAP\_P\_RDL [48D6]  
 C6N1 CAPN\_402 [32B8]  
 C6N2 CAPN\_1206 [49B2]  
 C6P1 CAPN\_805 [55A4]  
 C6R4 CAPN\_402 [55A3]  
 C6R2 CAPN\_402 [6B7]  
 C6R3 CAPN\_402 [6B7]  
 C6R4 CAPN\_603 [6B6]  
 C6R5 CAPN\_603 [6B6]  
 C6R6 CAPN\_402 [5A4]  
 C6R7 CAPN\_805 [9D4]  
 C6R8 CAPN\_402 [11A4]  
 C6R9 CAPN\_402 [11C5]  
 C6R10 CAPN\_805 [9C4]  
 C6R11 CAPN\_402 [10A8]  
 C6R12 CAPN\_402 [11A7]  
 C6R13 CAPN\_402 [11A8]  
 C6R14 CAPN\_402 [5A6]  
 C6R16 CAPN\_402 [10B6]  
 C6R17 CAPN\_402 [10A7]  
 C6R19 CAPN\_402 [10B6]  
 C6R20 CAPN\_402 [10B5]  
 C6R21 CAPN\_402 [10A5]  
 C6R23 CAPN\_402 [10B5]  
 C6R24 CAPN\_402 [11D6]  
 C6R25 CAPN\_402 [5A6]  
 C6R26 CAPN\_402 [11C8]  
 C6R28 CAPN\_402 [10C7]  
 C6R29 CAPN\_402 [10C7]  
 C6R30 CAPN\_402 [10A5]  
 C6R32 CAPN\_402 [10D5]  
 C6R35 CAPN\_402 [10B2]  
 C6R36 CAPN\_402 [10B3]  
 C6R37 CAPN\_402 [5A5]  
 C6R39 CAPN\_402 [10A2]  
 C6R41 CAPN\_402 [11A6]  
 C6R42 CAPN\_402 [10C2]  
 C6R44 CAPN\_402 [10D3]  
 C6R46 CAPN\_805 [4B6]  
 C6R47 CAPN\_805 [18B1]  
 C6T1 CAPN\_805 [9C4]  
 C6T2 CAPN\_402 [10D3]  
 C6T3 CAPN\_402 [11B8]  
 C6T4 CAPN\_402 [10C4]  
 C6T5 CAPN\_805 [9C4]

C6T6 CAPN\_402 [10C5]  
 C6T7 CAPN\_402 [5A5]  
 C6T9 CAPN\_402 [11B8]  
 C6T10 CAPN\_402 [10D2]  
 C6T11 CAPN\_402 [11D7]  
 C6T13 CAPN\_402 [11D4]  
 C6T14 CAPN\_402 [11C7]  
 C6T16 CAPN\_402 [11D2]  
 C6T17 CAPN\_402 [11A2]  
 C6T18 CAPN\_402 [11A3]  
 C6T19 CAPN\_402 [5A5]  
 C6T21 CAPN\_402 [11A7]  
 C6T22 CAPN\_402 [11B5]  
 C6T24 CAPN\_402 [11D5]  
 C6T25 CAPN\_402 [10B4]  
 C6T26 CAPN\_402 [10A5]  
 C6T27 CAPN\_402 [5A5]  
 C6T29 CAPN\_402 [11D1]  
 C6T30 CAPN\_402 [11C1]  
 C6T31 CAPN\_402 [57C4]  
 C6T32 CAPN\_402 [5A4]  
 C6T33 CAPN\_402 [5A4]  
 C6T34 CAPN\_402 [57C5]  
 C6T35 CAPN\_402 [57C5]  
 C6T36 CAPN\_402 [57C5]  
 C6U1 CAPN\_603 [54B8]  
 C6U2 CAPN\_603 [54D7]  
 C6V10 CAPN\_402 [48A6]  
 C6V11 CAPN\_402 [48A6]  
 C6V12 CAPN\_402 [48A5]  
 C6V15 CAPN\_402 [48B7]  
 C7B1 CAPN\_402 [32D7]  
 C7B2 CAPN\_1206 [53C5]  
 C7B3 CAP\_P\_RDL [49B3]  
 C7B4 CAPN\_1206 [49B1]  
 C7C1 CAP\_P\_RDL [49A3]  
 C7C2 CAP\_P\_RDL [49A4]  
 C7C3 CAP\_P\_RDL [49A2]  
 C7D1 CAPN\_603 [6A7]  
 C7D2 CAPN\_603 [6A6]  
 C7D3 CAPN\_805 [9C7]  
 C7D4 CAPN\_805 [9C6]  
 C7D5 CAPN\_805 [9B7]  
 C7D7 CAPN\_805 [9B6]  
 C7D8 CAPN\_805 [9C6]  
 C7D11 CAPN\_805 [9B6]  
 C7D12 CAPN\_805 [9C7]  
 C7D18 CAPN\_805 [9C6]  
 C7D19 CAPN\_805 [9C7]  
 C7D23 CAPN\_402 [56A4]  
 C7E1 CAPN\_805 [9C6]  
 C7E2 CAPN\_805 [9C5]  
 C7E5 CAPN\_805 [9B7]  
 C7E6 CAPN\_805 [9D7]  
 C7E9 CAPN\_805 [9B5]  
 C7E10 CAPN\_805 [9B8]  
 C7E13 CAPN\_402 [49C3]

C7F1	CAP_P_RDL	[54D2]
C7F3	CAP_P_RDL	[54B8]
C7G1	CAP_P_RDL	[50D5]
C7G2	CAPN_402	[32D8]
C7N1	CAPN_402	[32B8]
C7N2	CAPN_402	[32A5]
C7N3	CAPN_1206	[49B1]
C7P1	CAPN_805	[55A1]
C7R1	CAPN_402	[6C7]
C7R2	CAPN_805	[9C8]
C7R3	CAPN_805	[9D5]
C7R7	CAPN_603	[6C6]
C7R8	CAPN_402	[11B7]
C7R9	CAPN_402	[11A5]
C7R10	CAPN_402	[9B2]
C7R11	CAPN_402	[9B2]
C7R12	CAPN_402	[9B2]
C7R13	CAPN_402	[9A2]
C7R14	CAPN_402	[11A5]
C7R15	CAPN_402	[11B7]
C7R16	CAPN_402	[9C1]
C7R17	CAPN_402	[11D7]
C7R18	CAPN_402	[11C7]
C7R19	CAPN_402	[10C6]
C7R20	CAPN_402	[11C7]
C7R21	CAPN_402	[11B8]
C7R22	CAPN_402	[10D8]
C7R23	CAPN_805	[9B4]
C7R24	CAPN_805	[9B4]
C7R25	CAPN_805	[9B3]
C7R26	CAPN_805	[9B8]
C7R27	CAPN_805	[9D6]
C7R28	CAPN_805	[9D3]
C7R29	CAPN_805	[9C3]
C7R30	CAPN_805	[9B3]
C7R31	CAPN_402	[11D8]
C7R32	CAPN_402	[11A7]
C7R33	CAPN_402	[11A7]
C7R34	CAPN_402	[10C6]
C7R35	CAPN_402	[10C6]
C7R39	CAPN_402	[11B7]
C7R40	CAPN_402	[11B7]
C7R41	CAPN_402	[11B7]
C7R42	CAPN_402	[11C7]
C7R43	CAPN_402	[10B6]
C7R44	CAPN_402	[10B8]
C7R48	CAPN_402	[10C4]
C7R49	CAPN_402	[10D7]
C7R50	CAPN_402	[10C5]
C7R51	CAPN_402	[10D5]
C7R52	CAPN_402	[10D5]
C7R56	CAPN_402	[11C8]
C7R57	CAPN_402	[10B5]
C7R58	CAPN_402	[10B5]
C7R59	CAPN_402	[10B5]
C7R60	CAPN_402	[10A5]
C7R61	CAPN_402	[10A6]

C7R65	CAPN_402	[11D7]
C7R66	CAPN_402	[10C2]
C7R67	CAPN_402	[10C2]
C7R68	CAPN_402	[10C5]
C7R69	CAPN_402	[10B5]
C7R74	CAPN_402	[10A3]
C7R75	CAPN_402	[11B4]
C7R76	CAPN_402	[10B7]
C7R81	CAPN_402	[10B3]
C7R82	CAPN_402	[11C8]
C7R83	CAPN_402	[11B2]
C7R89	CAPN_402	[10B4]
C7R90	CAPN_805	[9C5]
C7R91	CAPN_805	[9B6]
C7R95	CAPN_402	[11D3]
C7R99	CAPN_402	[10A4]
C7R100	CAPN_402	[10A3]
C7R101	CAPN_402	[11B4]
C7R102	CAPN_402	[10C3]
C7R106	CAPN_402	[11C5]
C7R110	CAPN_402	[10C2]
C7R111	CAPN_402	[10C2]
C7R112	CAPN_603	[4D6]
C7R113	CAPN_603	[4D6]
C7R114	CAPN_402	[6D5]
C7R115	CAPN_402	[6D5]
C7R116	CAPN_402	[6D5]
C7R119	CAPN_805	[9C6]
C7R120	CAPN_805	[9B7]
C7R121	CAPN_805	[9A7]
C7T1	CAPN_805	[9B4]
C7T2	CAPN_402	[10B2]
C7T3	CAPN_402	[10C2]
C7T4	CAPN_805	[9C3]
C7T5	CAPN_805	[9B3]
C7T6	CAPN_805	[9A4]
C7T7	CAPN_805	[9C3]
C7T8	CAPN_805	[9A3]
C7T9	CAPN_402	[10D6]
C7T10	CAPN_402	[10B2]
C7T11	CAPN_402	[11C4]
C7T15	CAPN_402	[10B7]
C7T21	CAPN_402	[10D2]
C7T22	CAPN_402	[10D4]
C7T23	CAPN_402	[11A2]
C7T24	CAPN_402	[11B2]
C7T25	CAPN_402	[11B2]
C7T26	CAPN_402	[11A2]
C7T27	CAPN_402	[10C4]
C7T28	CAPN_402	[11C7]
C7T32	CAPN_805	[9B8]
C7T33	CAPN_805	[9C8]
C7T37	CAPN_402	[10B4]
C7T38	CAPN_402	[11D7]
C7T39	CAPN_402	[11B2]
C7T40	CAPN_402	[11C4]
C7T41	CAPN_402	[11B6]

C7T46	CAPN_402	[11C2]
C7T47	CAPN_402	[11D2]
C7T48	CAPN_402	[11A2]
C7T49	CAPN_402	[11B5]
C7T50	CAPN_402	[11C5]
C7T51	CAPN_402	[11D2]
C7T54	CAPN_402	[11D5]
C7T55	CAPN_402	[11B2]
C7T56	CAPN_402	[11C6]
C7T57	CAPN_402	[11C2]
C7T58	CAPN_402	[11D6]
C7T62	CAPN_402	[11C1]
C7T63	CAPN_402	[11C1]
C7T64	CAPN_402	[11B1]
C7T65	CAPN_402	[11B1]
C7T66	CAPN_402	[11B1]
C7T67	CAPN_402	[11A1]
C7T71	CAPN_402	[10D2]
C7T72	CAPN_402	[11A4]
C7T76	CAPN_402	[9C2]
C7T83	CAPN_805	[9B6]
C7T84	CAPN_805	[9A6]
C7T89	CAPN_402	[57C5]
C7T90	CAPN_402	[57C5]
C7T91	CAPN_402	[57C4]
C7T92	CAPN_402	[57C5]
C7T93	CAPN_805	[9C8]
C7T94	CAPN_805	[9D8]
C7T98	CAPN_603	[55C2]
C7T99	CAPN_603	[55C1]
C7T100	CAPN_603	[55D3]
C7U1	CAPN_402	[50A6]
C7U2	CAPN_603	[50A7]
C7U3	CAPN_402	[50A5]
C7U4	CAPN_402	[50B4]
C7V1	CAPN_603	[50D6]
C8A1	CAPN_402	[48C3]
C8A2	CAPN_402	[48C2]
C8B1	CAP_P_RDL	[48B3]
C8B2	CAPN_1206	[49B4]
C8B3	CAPN_603	[52D2]
C8B4	CAPN_1206	[49B2]
C8B6	CAPN_603	[53B3]
C8B7	CAPN_402	[52A7]
C8B8	CAPN_603	[52A7]
C8B9	CAPN_805	[52D5]
C8C1	CAP_P_RDL	[49A5]
C8C2	CAP_P_RDL	[49A8]
C8D1	CAP_P_RDL	[49A6]
C8D4	CAP_P_RDL	[49A5]
C8E1	CAP_P_RDL	[49A7]
C8E2	CAP_P_RDL	[49A6]
C8E3	CAP_P_RDL	[49A8]
C8F1	CAP_P_RDL	[49A7]
C8G1	CAPN_402	[50A5]
C8G2	CAPN_402	[32C5]
C8N1	CAPN_603	[52C2]

C8N3	CAPN_805	[52D6]
C8N4	CAPN_402	[52B5]
C8N5	CAPN_603	[52C7]
C8P1	CAPN_603	[52C8]
C8P2	CAPN_402	[52C7]
C8P3	CAPN_603	[52B7]
C8P4	CAPN_603	[52A6]
C8P5	CAPN_402	[56A2]
C8U1	CAPN_603	[50B3]
C8U2	CAPN_402	[50B2]
C8U3	CAPN_603	[50B5]
C8U4	CAPN_402	[50D5]
C8V1	CAPN_603	[50B5]
C8V14	CAPN_805	[45D6]
C9A1	CAPN_603	[48D3]
C9A2	CAPN_603	[48D2]
C9A3	CAPN_402	[56C2]
C9A4	CAPN_402	[48B2]
C9A5	CAPN_603	[48D3]
C9A6	CAPN_603	[48D3]
C9B1	CAP_P_RDL	[48D4]
C9B2	CAPN_1206	[49B8]
C9B3	CAPN_603	[52C2]
C9B4	CAPN_1206	[49B6]
C9C1	CAP_P_RDL	[49B7]
C9C2	CAPN_603	[52B3]
C9C3	CAPN_1206	[49B5]
C9C4	CAP_P_RDL	[49B7]
C9C5	CAPN_603	[51C1]
C9C7	CAPN_402	[32B8]
C9D1	CAPN_1206	[51D2]
C9D2	CAP_P_RDL	[49B6]
C9D3	CAPN_1206	[51D3]
C9D4	CAPN_1206	[51C3]
C9E1	CAPN_1206	[51C2]
C9E2	CAPN_402	[32C8]
C9E3	CAP_P_RDL	[49B7]
C9E4	CAPN_603	[51B1]
C9F1	CAPN_1206	[51A2]
C9F2	CAPN_402	[32C8]
C9F3	CAPN_603	[51A1]
C9F4	CAPN_1206	[51A3]
C9G1	CAPN_402	[45D6]
C9G2	CAP_P_RDL	[45D6]
C9G3	CAP_P_RDL	[45B6]
C9G4	CAPN_402	[45B6]
C9N1	CAPN_402	[32B5]
C9P1	CAPN_603	[52C8]
C9P2	CAPN_805	[51D4]
C9P3	CAPN_805	[51D5]
C9P4	CAPN_805	[51D7]
C9T1	CAPN_805	[51C4]
C9T2	CAPN_805	[51C5]
C9T3	CAPN_805	[51C7]
C9U1	CAPN_805	[51A4]
C9U2	CAPN_805	[51B5]
C9U3	CAPN_805	[51A7]

C9V3	CAPN_805	[45B7]	
CM2A1	CMCHOKE_SM	[29D6]	
CM2A2	CMCHOKE_SM	[29C6]	
CM3A1	CMCHOKE_SM	[29B6]	
CM3A2	CMCHOKE_SM	[29A6]	
CR1D1	MBT3904DUAL_S OT	[46A6]	
CR1D2	DIOSOT23S_SOT 23S	[47A2]	
CR1D3	DIOSOT23S_SOT 23S	[47A1]	
CR2A1	MBT3904DUAL_S OT	[43B5]	
CR2M2	MBT3904DUAL_S OT	[40A3]	
CR3M1	BAV99DUAL_SOT 363	[29B4 29B3]	
CR3M2	BAV99DUAL_SOT 363	[43A6 43A7]	
CR6T1	MBT3904DUAL_S OT	[55C4]	
D1A1	DIOSOT23S_SOT 23S	[44C6]	
D1A2	DIOSOT23S_SOT 23S	[44D6]	
D1B1	DIOSOT23S_SOT 23S	[44C6]	
D1E1	DIOSOT23S_SOT 23S	[47B6]	
D1E2	DIOSOT23S_SOT 23S	[47C6]	
D1E3	DIOSOT23S_SOT 23S	[47C5]	
D1E4	DIOSOT23S_SOT 23S	[47D5]	
D1F1	LED_SM	[34A3]	
D2A1	DIOSOT23S_SOT 23S	[43D4]	
D3A1	DIODE_SOT23	[42D3]	
D3A2	DIOSOT23S_SOT 23S	[43C8]	
D3A3	DIOSOT23S_SOT 23S	[43C6]	
D3A4	DIOSOT23S_SOT 23S	[43D8]	
D3A5	DIOSOT23S_SOT 23S	[43B8]	
D3V1	BAT54A_SOT23S	[54D6]	
D5B1	DIODE_SMA	[55B7]	
D5B2	DIODE_SMA	[55B7]	
D5N1	DIODE_SOD123	[55B8]	
D5N2	DIODE_SOD123	[55B8]	
D8B1	ZENER_SOD123	[52C2]	
D8B2	DIODE_SOT23	[52D3]	
D8B3	DIOSOT23S_SOT 23S	[52D2]	
D8B4	LED_SM	[56B1]	

D9C1	DIODE_SOT23	[51D6]	
D9E1	DIODE_SOT23	[51C6]	
D9F1	DIODE_SOT23	[51B6]	
D9G1	DIOSOT23S_SOT 23S	[45C6]	
D9G2	DIOSOT23S_SOT 23S	[45C6]	
D9V1	DIOSOT23S_SOT 23S	[45A6]	
D9V2	DIOSOT23S_SOT 23S	[45A6]	
DB1F1	DBPAD_TP	[34A7]	
DB1N1	DBPAD_TP	[58C4]	
DB1N3	DBPAD_TP	[39B5]	
DB1N4	DBPAD_TP	[39C7]	
DB1N5	DBPAD_TP	[33D6]	
DB1P1	DBPAD_TP	[33B2]	
DB1P2	DBPAD_TP	[33B2]	
DB2B1	DBPAD_TP	[34B3]	
DB2C1	DBPAD_TP	[35B4]	
DB2D1	DBPAD_TP	[35B4]	
DB2N3	DBPAD_TP	[33B2]	
DB2N4	DBPAD_TP	[33B2]	
DB2N5	DBPAD_TP	[33B2]	
DB2N6	DBPAD_TP	[33B2]	
DB2N7	DBPAD_TP	[33B2]	
DB2N8	DBPAD_TP	[33C6]	
DB2N9	DBPAD_TP	[33B2]	
DB2N10	DBPAD_TP	[33B2]	
DB2N11	DBPAD_TP	[33B2]	
DB2N12	DBPAD_TP	[33B2]	
DB2P1	DBPAD_TP	[33C2]	
DB2P2	DBPAD_TP	[33C2]	
DB2P3	DBPAD_TP	[33C2]	
DB2P4	DBPAD_TP	[33B2]	
DB2P5	DBPAD_TP	[33B2]	
DB2P6	DBPAD_TP	[33B2]	
DB2P7	DBPAD_TP	[33B2]	
DB2P8	DBPAD_TP	[34A6]	
DB2P9	DBPAD_TP	[34A6]	
DB2P15	DBPAD_TP	[33D6]	
DB3A1	DBPAD_TP	[29C3]	
DB3F1	DBPAD_TP	[54C1]	
DB4D1	DBPAD_TP	[13C3]	
DB4P1	DBPAD_TP	[28C2]	
DB4P2	DBPAD_TP	[28C2]	
DB4P3	DBPAD_TP	[28B2]	
DB4P4	DBPAD_TP	[28B2]	
DB4P5	DBPAD_TP	[28B5]	
DB6E1	DBPAD_TP	[46C4]	
DB6E2	DBPAD_TP	[46C4]	
DB6E3	DBPAD_TP	[46C4]	
DB6G1	DBPAD_TP	[54C8]	
DB7R1	DBPAD_TP	[4C1]	
DB7U3	DBPAD_TP	[50C5]	
DB8C1	DBPAD_TP	[4C6]	
DB8M1	DBPAD_TP	[48D1]	

DB8M2	DBPAD_TP	[48D1]	
DB8M3	DBPAD_TP	[48D1]	
DB8N1	DBPAD_TP	[48C2]	
DB8P1	DBPAD_TP	[49B5]	
DB8P2	DBPAD_TP	[49B5]	
EG1A1	ESDGUARD_603	[44C4]	
EG1A2	ESDGUARD_603	[44C5]	
EG1E1	ESDGUARD_603	[47C3]	
EG1E2	ESDGUARD_603	[47C4]	
EG1E3	ESDGUARD_603	[47C4]	
EG1E4	ESDGUARD_603	[47C5]	
EG2A1	ESDGUARD_402	[29D6]	
EG2A2	ESDGUARD_402	[29D6]	
EG2A3	ESDGUARD_402	[29C6]	
EG2A4	ESDGUARD_402	[29C6]	
EG2B1	ESDGUARD_603	[40B5]	
EG2B2	ESDGUARD_603	[40C5]	
EG2G1	ESDGUARD_603	[45B1]	
EG3A1	ESDGUARD_402	[29B5]	
EG3A2	ESDGUARD_402	[29B6]	
EG3A3	ESDGUARD_402	[29A5]	
EG3A4	ESDGUARD_402	[29A6]	
EG3G1	ESDGUARD_603	[45B2]	
EG3M1	ESDGUARD_603	[29B2]	
EG4G1	ESDGUARD_603	[45C2]	
EG4G2	ESDGUARD_603	[45C2]	
EG9G1	ESDGUARD_603	[45C5]	
EG9G2	ESDGUARD_603	[45D5]	
EG9V1	ESDGUARD_603	[45A5]	
EG9V2	ESDGUARD_603	[45A5]	
FB1B1	FERRITE_603	[39A6]	
FB1N1	FERRITE_603	[58C3]	
FB1P1	FERRITE_603	[38B7]	
FB1P2	FERRITE_603	[38C7]	
FB1P3	FERRITE_603	[38A7]	
FB1P4	FERRITE_603	[38B7]	
FB2B1	FERRITE_603	[40B3]	
FB2B2	FERRITE_603	[40D3]	
FB2P1	FERRITE_603	[37A7]	
FB2P2	FERRITE_603	[38D7]	
FB2P3	FERRITE_603	[37C7]	
FB2P4	FERRITE_603	[37C7]	
FB2P5	FERRITE_603	[37A7]	
FB2R1	FERRITE_603	[37B7]	
FB4D1	FERRITE_603	[16D7]	
FB4N5	FERRITE_603	[30D7]	
FB4N6	FERRITE_603	[31C8]	
FB4N7	FERRITE_603	[31B7]	
FB4N8	FERRITE_603	[30C7]	
FB4P1	FERRITE_603	[31D3]	
FB4R1	FERRITE_603	[16C7]	
FB4T1	FERRITE_603	[16C7]	
FB5G1	FERRITE_603	[45D2]	
FB5R1	FERRITE_603	[16B7]	
FB6D1	FERRITE_603	[6C7]	
FB6R1	FERRITE_603	[6B7]	
FB6R2	FERRITE_603	[6B7]	

FB7D1	FERRITE_603	[6A7]	
FB7R1	FERRITE_603	[6D7]	
FT1N1	FTPAD_TP	[33A2]	
FT1N2	FTPAD_TP	[44D3]	
FT1P1	FTPAD_TP	[27B1]	
FT1P2	FTPAD_TP	[27B1]	
FT1R1	FTPAD_TP	[46A8]	
FT1R2	FTPAD_TP	[46A3]	
FT1R3	FTPAD_TP	[41C7]	
FT1R4	FTPAD_TP	[41C7]	
FT1R5	FTPAD_TP	[41C7]	
FT1T1	FTPAD_TP	[41C4]	
FT1U1	FTPAD_TP	[55D4]	
FT1U2	FTPAD_TP	[34A7]	
FT1V1	FTPAD_TP	[45A1]	
FT2M1	FTPAD_TP	[40D6]	
FT2M2	FTPAD_TP	[29D4]	
FT2M3	FTPAD_TP	[29D4]	
FT2M4	FTPAD_TP	[29D4]	
FT2M5	FTPAD_TP	[29D4]	
FT2N1	FTPAD_TP	[40D7]	
FT2N2	FTPAD_TP	[40C8]	
FT2N3	FTPAD_TP	[27D3]	
FT2N4	FTPAD_TP	[27B1]	
FT2N5	FTPAD_TP	[34C8]	
FT2P1	FTPAD_TP	[40B6]	
FT2P2	FTPAD_TP	[27A1]	
FT2P3	FTPAD_TP	[52A2]	
FT2P4	FTPAD_TP	[27C8]	
FT2P5	FTPAD_TP	[34B1]	
FT2P6	FTPAD_TP	[52B2]	
FT2P7	FTPAD_TP	[27D7]	
FT2P10	FTPAD_TP	[34C6]	
FT2P11	FTPAD_TP	[4D8]	
FT2P12	FTPAD_TP	[4D8]	
FT2P13	FTPAD_TP	[13D4]	
FT2P14	FTPAD_TP	[13D8]	
FT2P15	FTPAD_TP	[34C8]	
FT2P16	FTPAD_TP	[50D2]	
FT2P17	FTPAD_TP	[50D7]	
FT2P18	FTPAD_TP	[54A7]	
FT2P19	FTPAD_TP	[54A3]	
FT2P20	FTPAD_TP	[35C8]	
FT2P21	FTPAD_TP	[35C8]	
FT2P22	FTPAD_TP	[35C8]	
FT2P23	FTPAD_TP	[35C8]	
FT2P24	FTPAD_TP	[34C8]	
FT2P25	FTPAD_TP	[34A7]	
FT2P26	FTPAD_TP	[55A5]	
FT2R2	FTPAD_TP	[27A1]	
FT2R3	FTPAD_TP	[41C7]	
FT2R4	FTPAD_TP	[41C7]	
FT2R5	FTPAD_TP	[41C7]	
FT2R6	FTPAD_TP	[41C7]	
FT2R7	FTPAD_TP	[41C7]	
FT2R8	FTPAD_TP	[53A4]	
FT2U1	FTPAD_TP	[54C1]	

FT3M1	FTPAD_TP	[29D4]
FT3M2	FTPAD_TP	[29D4]
FT3M3	FTPAD_TP	[29D4]
FT3M4	FTPAD_TP	[29D4]
FT3P1	FTPAD_TP	[27C1]
FT3P2	FTPAD_TP	[27C1]
FT3P3	FTPAD_TP	[34A7]
FT3P4	FTPAD_TP	[27D3]
FT4N1	FTPAD_TP	[28A6]
FT4N4	FTPAD_TP	[28B6]
FT4N5	FTPAD_TP	[27B4]
FT4P1	FTPAD_TP	[27D7]
FT4P2	FTPAD_TP	[27B1]
FT4P3	FTPAD_TP	[27B1]
FT4P4	FTPAD_TP	[27D3]
FT5N1	FTPAD_TP	[55C6]
FT5N2	FTPAD_TP	[55B5]
FT5R1	FTPAD_TP	[55C1]
FT5R2	FTPAD_TP	[49A2]
FT6U1	FTPAD_TP	[46C4]
FT6U2	FTPAD_TP	[46C4]
FT6U3	FTPAD_TP	[46C4]
FT6U4	FTPAD_TP	[46C4]
FT6U5	FTPAD_TP	[46C4]
FT6U6	FTPAD_TP	[46C4]
FT6U7	FTPAD_TP	[46C4]
FT6U8	FTPAD_TP	[46C4]
FT6U9	FTPAD_TP	[46D4]
FT6U10	FTPAD_TP	[46D4]
FT6U11	FTPAD_TP	[46D4]
FT6V1	FTPAD_TP	[54C8]
FT7R1	FTPAD_TP	[4A7]
FT7R2	FTPAD_TP	[4A7]
FT7R3	FTPAD_TP	[55A1]
FT7R4	FTPAD_TP	[4A7]
FT7R5	FTPAD_TP	[4A7]
FT7R6	FTPAD_TP	[4A7]
FT7R7	FTPAD_TP	[56A5]
FT7T1	FTPAD_TP	[4B3]
FT7T2	FTPAD_TP	[4B3]
FT7T3	FTPAD_TP	[4B2]
FT7T4	FTPAD_TP	[4B2]
FT7T5	FTPAD_TP	[4B2]
FT7T6	FTPAD_TP	[55D1]
FT7T7	FTPAD_TP	[4B3]
FT7T8	FTPAD_TP	[55C6]
FT7T9	FTPAD_TP	[49A5]
FT7U2	FTPAD_TP	[50B5]
FT7U3	FTPAD_TP	[49A5]
FT7U4	FTPAD_TP	[49A5]
FT8N1	FTPAD_TP	[48C2]
FT8P1	FTPAD_TP	[52D7]
FT8P2	FTPAD_TP	[52D7]
FT8U1	FTPAD_TP	[50C5]
FT9N1	FTPAD_TP	[48D3]
J1A1	XENONRJ45USB_	[44B2]
	TH	

J1C1	1X7SATA_TH	[47A7]
J1D1	2X6HDR2_TH	[47A2]
J1D2	2X5HDR10_TH	[56D7]
J1E1	XENONHDD_TH	[47C2]
J2A1	HDMI_1X19HDR	[29C1]
J2B1	2X7HDR14_TH	[56C5]
J2D1	2X3HDR_TH	[33A6]
J2D2	2X4HDR_TH	[13A8]
J3A1	XENONAVIP_TH	[43C2]
J3A2	1X3HDR_TH	[42C1]
J4G2	XENONMU_TH	[45C1]
J5C1	2X3HDR_TH	[27A6]
J5C2	2X3HDR_TH	[13A5]
J6G1	XENONRF_TH	[48B5]
J7F1	2X3HDR_TH	[4A4]
J8C1	2X5HDR_TH	[56A3]
J9A1	XENONPWR_TH	[48C1]
J9A2	1X2HDR_SM	[56C2]
J9G1	XENONGAME_TH	[45B5]
L1B1	CMCHOKE_SM	[44D6]
L2G1	CMCHOKE_SM	[45B2]
L3A1	INDUCTOR_805	[43C7]
L3A2	INDUCTOR_805	[43C7]
L3A3	INDUCTOR_805	[43D7]
L3A4	INDUCTOR_805	[43B7]
L3F1	INDUCTOR_TH	[54C2]
L4G1	CMCHOKE_SM	[45C3]
L6C1	INDUCTOR_TH	[53D2]
L6F1	INDUCTOR_TH	[54C7]
L6G1	CMCHOKE_SM	[48C6]
L7C1	INDUCTOR_TH	[53B2]
L7F1	INDUCTOR_TH	[54D5]
L8B1	INDUCTOR_TH	[49B4]
L8D1	INDUCTOR_TH	[51D1]
L8E1	INDUCTOR_TH	[51B1]
L8F1	INDUCTOR_TH	[51A1]
L9B1	INDUCTOR_TH	[49B8]
L9G1	CMCHOKE_SM	[45C7]
L9V1	CMCHOKE_SM	[45A7]
LB7G1	LABEL_SM	[59D3]
MTG1B1	STD_MTG_HOLE_	[59C4]
	TH	
MTG1G1	STD_MTG_HOLE_	[59C4]
	TH	
MTG3C1	STD_MTG_HOLE_	[59B3]
	TH	
MTG3E1	STD_MTG_HOLE_	[59B2]
	TH	
MTG5B1	STD_MTG_HOLE_	[59C2]
	TH	
MTG5C1	STD_MTG_HOLE_	[59A3]
	TH	
MTG5E1	STD_MTG_HOLE_	[59A2]
	TH	
MTG5G1	STD_MTG_HOLE_	[59C2]
	TH	
MTG6C1	STD_MTG_HOLE_	[59A3]

	TH	
MTG6E1	STD_MTG_HOLE_	[59B2]
	TH	
MTG8C1	STD_MTG_HOLE_	[59B3]
	TH	
MTG8E1	STD_MTG_HOLE_	[59A2]
	TH	
MTG9B1	STD_MTG_HOLE_	[59C1]
	TH	
MTG9G1	STD_MTG_HOLE_	[59C1]
	TH	
Q1G2	NPN_SOT23	[46B6]
Q1G3	PNP_SOT23	[28A5]
Q1V1	NPN_SOT23	[46B7]
Q2F3	FET_VREG_DPAK	[54B3]
Q2N1	PNP_SOT23	[40A5]
Q2N3	PNP_SOT23	[43A4]
Q3F1	FET_VREG_DPAK	[54C3]
Q3M1	PNP_DPAK	[42D3]
Q3M2	NPN_SOT23	[42D4]
Q6B1	FET_VREG_DPAK	[53D5]
Q6B2	FET_VREG_DPAK	[53C5]
Q6C1	FET_VREG_DPAK	[53C4]
Q6F1	FET_VREG_DPAK	[54C7]
Q6F2	FET_VREG_DPAK	[54B7]
Q7B1	FET_VREG_DPAK	[53C5]
Q7B2	FET_VREG_DPAK	[53B5]
Q7C1	FET_VREG_DPAK	[53B4]
Q8B3	FET_SOT23	[52B1]
Q8B4	NPN_SOT23	[48A2]
Q8B5	NPN_SOT23	[48A3]
Q8B6	NPN_SOT23	[56B1]
Q8F1	FET_VREG_DPAK	[51C3]
Q8F1	FET_VREG_DPAK	[51A3]
Q8N1	PNP_2C_SOT223	[48B1]
Q9C1	FET_VREG_DPAK	[51C4]
Q9D1	FET_VREG_DPAK	[51D3]
Q9D2	FET_VREG_DPAK	[51D4]
Q9D3	FET_VREG_DPAK	[51B3]
Q9D4	FET_VREG_DPAK	[51C3]
Q9E1	FET_VREG_DPAK	[51C4]
Q9E3	FET_VREG_DPAK	[51B4]
Q9F1	FET_VREG_DPAK	[51A4]
Q9F2	FET_VREG_DPAK	[51A4]
Q9F4	FET_VREG_DPAK	[51A3]
R1A1	RESN_402	[39B2]
R1A2	RESN_402	[39B2]
R1A3	RESN_402	[39C2]
R1A4	RESN_402	[39D2]
R1A5	RESN_402	[44B5]
R1B1	RESN_603	[44C7]
R1B2	RESN_603	[44D7]
R1B4	RESN_402	[39B3]
R1B5	RESN_402	[39B3]
R1B6	RESN_402	[39C4]
R1B7	RESN_402	[39D4]
R1B9	RESN_402	[36D6]

R1B10	RESN_402	[36D6]
R1B11	RESN_402	[39B7]
R1B12	RESN_402	[58B4]
R1B13	RESN_402	[39C3]
R1C1	RESN_402	[39C7]
R1C2	RESN_402	[33B7]
R1C3	RESN_402	[36D3]
R1C4	RESN_402	[33B8]
R1C5	RESN_402	[33B8]
R1C6	RESN_402	[33B7]
R1C7	RESN_402	[33B8]
R1C8	RESN_402	[36B5]
R1D2	RESN_402	[41B5]
R1D3	RESN_402	[41B5]
R1D4	RESN_402	[41B5]
R1D5	RESN_402	[46A5]
R1D6	RESN_402	[46A7]
R1E1	RESN_1210	[53A7]
R1E2	RESN_402	[41C5]
R1E3	RESN_1210	[53A7]
R1F7	RESN_402	[55D7]
R1F8	RESN_402	[55D7]
R1G1	RESN_1206	[46C6]
R1G2	RESN_402	[46C7]
R1G3	RESN_402	[42C6]
R1G4	RESN_402	[42C7]
R1M1	RESN_603	[39C2]
R1M2	RESN_603	[39B2]
R1M3	RESN_402	[44B5]
R1N1	RESN_402	[39B7]
R1N2	RESN_402	[39B7]
R1N3	RESN_402	[39B6]
R1N4	RESN_402	[39B6]
R1N5	RESN_402	[39B3]
R1N6	RESN_402	[39B4]
R1N7	RESN_402	[39B4]
R1N8	RESN_402	[58A2]
R1P1	RESN_402	[33B7]
R1P2	RESN_402	[33B8]
R1P3	RESN_402	[33B8]
R1P5	RESN_402	[33B7]
R1P6	RESN_402	[33B8]
R1P7	RESN_402	[35C7]
R1R1	RESN_402	[35D4]
R1R2	RESN_402	[46A7]
R1R3	RESN_402	[46A6]
R1R4	RESN_402	[47A4]
R1R5	RESN_402	[46A6]
R1U1	RESN_402	[55D5]
R1U2	RESN_402	[55D5]
R1U3	RESN_402	[34A4]
R1V1	RESN_402	[46B7]
R1V2	RESN_1206	[46C6]
R2A1	RESN_402	[43A2]
R2A2	RESN_402	[34B7]
R2A4	RESN_402	[43B5]
R2A5	RESN_402	[43B4]

R2A6 RESN\_402 [43B5]  
R2A7 RESN\_402 [43B5]  
R2A8 RESN\_402 [43C5]  
R2A9 RESN\_402 [43B5]  
R2A11 RESN\_603 [29D7]  
R2A12 RESN\_603 [29C7]  
R2A13 RESN\_603 [29C7]  
R2A14 RESN\_603 [29B7]  
R2B1 RESN\_603 [40D6]  
R2B2 RESN\_402 [40B4]  
R2B3 RESN\_402 [40D4]  
R2B4 RESN\_402 [40B4]  
R2B5 RESN\_402 [40C4]  
R2B6 RESN\_603 [40D8]  
R2B8 RESN\_402 [33B6]  
R2B9 RESN\_402 [33B6]  
R2B10 RESN\_402 [33B7]  
R2B11 RESN\_402 [36C2]  
R2B12 RESN\_402 [36C3]  
R2B13 RESN\_402 [36C2]  
R2B14 RESN\_402 [36C3]  
R2B15 RESN\_402 [36C2]  
R2B16 RESN\_402 [34A7]  
R2B19 RESN\_402 [34A7]  
R2C1 RESN\_603 [38D7]  
R2C3 RESN\_402 [55A6]  
R2D1 RESN\_402 [41B6]  
R2D2 RESN\_402 [41C2]  
R2D3 RESN\_402 [41B6]  
R2D4 RESN\_402 [41B6]  
R2D5 RESN\_402 [41B6]  
R2D6 RESN\_402 [41C5]  
R2D7 RESN\_402 [41C6]  
R2D8 RESN\_402 [41B7]  
R2D9 RESN\_402 [13A7]  
R2D10 RESN\_402 [13A8]  
R2D11 RESN\_402 [12C1]  
R2D12 RESN\_402 [12C2]  
R2E1 RESN\_402 [13B4]  
R2E2 RESN\_402 [13B8]  
R2E3 RESN\_402 [13A7]  
R2E4 RESN\_402 [13B7]  
R2E5 RESN\_402 [12D2]  
R2E6 RESN\_1210 [53A7]  
R2E7 RESN\_1210 [53A7]  
R2G2 RESN\_402 [42B7]  
R2G3 RESN\_402 [42B6]  
R2G5 RESN\_603 [45A3]  
R2M3 RESN\_402 [34B7]  
R2M4 RESN\_402 [43A1]  
R2M5 RESN\_402 [34B7]  
R2M6 RESN\_402 [43A2]  
R2M9 RESN\_402 [43A3]  
R2M10 RESN\_402 [43A4]  
R2N1 RESN\_402 [40A2]  
R2N2 RESN\_402 [40A4]  
R2N3 RESN\_402 [40B7]

R2N4 RESN\_402 [33B6]  
R2N5 RESN\_402 [33B6]  
R2N6 RESN\_402 [33B7]  
R2N7 RESN\_402 [42A5]  
R2N8 RESN\_402 [33C2]  
R2N9 RESN\_402 [34C3]  
R2N13 RESN\_402 [56C6]  
R2N14 RESN\_402 [56C4]  
R2N15 RESN\_402 [34D7]  
R2N19 RESN\_402 [43A5]  
R2N20 RESN\_402 [43A1]  
R2N21 RESN\_402 [34D7]  
R2N22 RESN\_402 [40A5]  
R2N23 RESN\_402 [40A6]  
R2N26 RESN\_402 [34C8]  
R2N27 RESN\_402 [34C8]  
R2P1 RESN\_402 [27D4]  
R2P2 RESN\_402 [33C7]  
R2P3 RESN\_402 [27D4]  
R2P4 RESN\_402 [34C7]  
R2P5 RESN\_402 [33D7]  
R2P6 RESN\_402 [34C7]  
R2P8 RESN\_402 [33C6]  
R2P9 RESN\_402 [33D6]  
R2P10 RESN\_402 [34B2]  
R2P11 RESN\_402 [33C7]  
R2P12 RESN\_402 [34A2]  
R2P13 RESN\_402 [34A2]  
R2P14 RESN\_402 [35B7]  
R2P15 RESN\_402 [34B2]  
R2P16 RESN\_402 [33C7]  
R2P17 RESN\_603 [38C7]  
R2P18 RESN\_402 [56D4]  
R2R1 RESN\_402 [23A7]  
R2R2 RESN\_402 [23A7]  
R2R3 RESN\_402 [24D7]  
R2R4 RESN\_402 [24D7]  
R2R5 RESN\_402 [12D2]  
R2R6 RESN\_402 [12A2]  
R2T1 RESN\_402 [12A1]  
R2T2 RESN\_402 [12B1]  
R2T3 RESN\_402 [25A7]  
R2T4 RESN\_402 [25A7]  
R2T5 RESN\_402 [26D7]  
R2T6 RESN\_402 [26D7]  
R2T7 RESN\_805 [53A2]  
R2T8 RESN\_805 [53A2]  
R2V1 RESN\_402 [42A5]  
R3A2 RESN\_402 [42C8]  
R3A3 RESN\_402 [43C7]  
R3A4 RESN\_402 [43D7]  
R3A6 RESN\_402 [43C7]  
R3A7 RESN\_402 [42C8]  
R3A9 RESN\_402 [43B7]  
R3A10 RESN\_603 [29B7]  
R3A11 RESN\_603 [29B7]  
R3A12 RESN\_603 [29A7]

R3A13 RESN\_603 [29A7]  
R3B1 RESN\_402 [27C7]  
R3B2 RESN\_402 [27D8]  
R3B3 RESN\_402 [56C4]  
R3B4 RESN\_402 [27C2]  
R3B5 RESN\_402 [27C2]  
R3B6 RESN\_402 [27B2]  
R3C7 RESN\_402 [27C2]  
R3C8 RESN\_402 [27D2]  
R3C9 RESN\_402 [27C2]  
R3C15 RESN\_402 [27C2]  
R3C16 RESN\_402 [27D2]  
R3C21 RESN\_0402 [55A5]  
R3C22 RESN\_402 [55A6]  
R3C28 RESN\_402 [13C8]  
R3D1 RESN\_402 [23A5]  
R2D1 RESN\_402 [24A7]  
R3D3 RESN\_402 [24A7]  
R3D4 RESN\_402 [23D7]  
R3D5 RESN\_402 [23D7]  
R3E1 RESN\_402 [25A5]  
R3E2 RESN\_402 [26A8]  
R3E3 RESN\_402 [26A7]  
R3E4 RESN\_402 [25D7]  
R3E5 RESN\_402 [25D7]  
R3F1 RESN\_402 [19A5]  
R3G4 RESN\_603 [45B3]  
R3M1 RESN\_402 [29B1]  
R3M2 RESN\_402 [43A6]  
R3M3 RESN\_402 [43A7]  
R3M5 RESN\_402 [29C4]  
R3M6 RESN\_402 [29C4]  
R3M7 RESN\_402 [29A2]  
R3M8 RESN\_402 [42C3]  
R3M9 RESN\_402 [42D3]  
R3N6 RESN\_402 [48B8]  
R3N7 RESN\_402 [48B7]  
R3P6 RESN\_402 [34B1]  
R3P7 RESN\_402 [34C2]  
R3R1 RESN\_402 [24A5]  
R3T1 RESN\_402 [26A5]  
R3T2 RESN\_402 [15B4]  
R3U1 RESN\_402 [20A5]  
R3V1 RESN\_402 [54C3]  
R3V3 RESN\_402 [54A4]  
R3V4 RESN\_402 [54A7]  
R3V5 RESN\_402 [54A7]  
R4B1 RESN\_402 [27D7]  
R4B2 RESN\_402 [27D5]  
R4B3 RESN\_402 [28B3]  
R4B4 RESN\_402 [27A3]  
R4B5 RESN\_402 [27A2]  
R4B6 RESN\_402 [27B2]  
R4B8 RESN\_402 [27D6]  
R4B9 RESN\_402 [27D7]  
R4B10 RESN\_402 [28C1]  
R4B11 RESN\_402 [28C2]

R4B12 RESN\_402 [28C6]  
R4B13 RESN\_402 [28C2]  
R4B14 RESN\_402 [28C2]  
R4B15 RESN\_402 [28A3]  
R4B17 RESN\_402 [27C7]  
R4B18 RESN\_402 [28C7]  
R4B19 RESN\_603 [32C2]  
R4B20 RESN\_603 [32B2]  
R4B21 RESN\_603 [32A2]  
R4B22 RESN\_603 [32C2]  
R4B23 RESN\_402 [28C2]  
R4B24 RESN\_402 [27A3]  
R4B25 RESN\_402 [27B2]  
R4B26 RESN\_402 [27C2]  
R4B27 RESN\_402 [27C2]  
R4C1 RESN\_402 [28B7]  
R4C2 RESN\_402 [28A6]  
R4C3 RESN\_402 [13A6]  
R4C4 RESN\_402 [13A5]  
R4C5 RESN\_402 [13A5]  
R4C6 RESN\_402 [13A3]  
R4C7 RESN\_402 [13A6]  
R4C8 RESN\_402 [27C2]  
R4C9 RESN\_402 [27D2]  
R4C10 RESN\_402 [27D2]  
R4C11 RESN\_402 [27D2]  
R4C12 RESN\_402 [27D2]  
R4C13 RESN\_402 [27B2]  
R4C14 RESN\_402 [27B2]  
R4C15 RESN\_402 [27B3]  
R4C16 RESN\_402 [27B3]  
R4D1 RESN\_402 [13C4]  
R4D2 RESN\_402 [13C4]  
R4F1 RESN\_402 [20A7]  
R4F2 RESN\_402 [20A8]  
R4F3 RESN\_402 [19D7]  
R4F4 RESN\_402 [19D7]  
R4F5 RESN\_402 [21A5]  
R4F6 RESN\_402 [13B3]  
R4F7 RESN\_402 [12B1]  
R4F8 RESN\_402 [12C1]  
R4G1 RESN\_402 [54B1]  
R4G4 RESN\_603 [45C3]  
R4G5 RESN\_603 [45D3]  
R4G6 RESN\_402 [54B1]  
R4G7 RESN\_402 [54A1]  
R4G8 RESN\_402 [54A1]  
R4N1 RESN\_402 [30C7]  
R4N2 RESN\_402 [28C7]  
R4N3 RESN\_402 [28C7]  
R4N4 RESN\_402 [27B4]  
R4N5 RESN\_402 [27C7]  
R4N6 RESN\_402 [27C7]  
R4P1 RESN\_402 [27C7]  
R4P2 RESN\_402 [42C4]  
R4R1 RESN\_402 [15A7]  
R4R2 RESN\_402 [15A7]

R4R3	RESN_402	[13C8]
R4R4	RESN_402	[15B8]
R4R5	RESN_402	[15A8]
R4R6	RESN_402	[15A3]
R4R7	RESN_402	[15A3]
R4R8	RESN_402	[13B7]
R4T1	RESN_402	[13B8]
R4T2	RESN_402	[15A4]
R4T3	RESN_402	[14A8]
R4T4	RESN_402	[14B8]
R4T5	RESN_402	[14A3]
R4T6	RESN_402	[14A7]
R4T7	RESN_402	[14A7]
R4T8	RESN_402	[14A3]
R4U1	RESN_402	[22A5]
R4U2	RESN_402	[20D7]
R4U3	RESN_402	[20D7]
R4U4	RESN_402	[19A7]
R4U5	RESN_402	[19A7]
R4U6	RESN_402	[12A1]
R4V1	RESN_402	[54B3]
R4V2	RESN_402	[54B5]
R4V3	RESN_402	[54B5]
R4V4	RESN_402	[54B6]
R4V5	RESN_402	[54A8]
R4V6	RESN_402	[54B8]
R4V7	RESN_402	[54C6]
R4V9	RESN_402	[54B8]
R4V10	RESN_402	[54A6]
R5B1	RESN_402	[55B6]
R5B2	RESN_402	[55A6]
R5C4	RESN_805	[55A4]
R5C5	RESN_402	[13A6]
R5C6	RESN_805	[55B4]
R5C8	RESN_402	[13A6]
R5C9	RESN_0402	[55B1]
R5C10	RESN_402	[13A6]
R5C11	RESN_402	[12D8]
R5C12	RESN_402	[12D8]
R5D1	RESN_402	[13D8]
R5D2	RESN_402	[13D7]
R5E1	RESN_402	[14A4]
R5E2	RESN_402	[14B4]
R5F1	RESN_402	[22A7]
R5F2	RESN_402	[22A7]
R5F3	RESN_402	[21D7]
R5F4	RESN_402	[21D7]
R5N1	RESN_402	[52B2]
R5P1	RESN_402	[55B2]
R5P2	RESN_402	[55B2]
R5P3	RESN_402	[13A6]
R5R1	RESN_402	[12D8]
R5R2	RESN_402	[12C8]
R5R3	RESN_402	[12A7]
R5U1	RESN_402	[22D7]
R5U2	RESN_402	[22D7]
R5U3	RESN_402	[21A7]

R5U4	RESN_402	[21A7]
R5V2	RESN_402	[42D6]
R5V3	RESN_402	[42D7]
R6C1	RESN_805	[55B3]
R6C2	RESN_805	[53D3]
R6D1	RESN_402	[4D1]
R6D2	RESN_402	[4D1]
R6E1	RESN_402	[4B2]
R6E2	RESN_402	[4A5]
R6G7	RESN_603	[48C7]
R6G8	RESN_603	[48B7]
R6R1	RESN_0402	[55A1]
R6R2	RESN_402	[55A2]
R6R3	RESN_402	[55A2]
R6R4	RESN_402	[4D7]
R6R5	RESN_402	[4C7]
R6R6	RESN_402	[4C8]
R6R7	RESN_402	[4C8]
R6R8	RESN_402	[4C8]
R6R9	RESN_402	[4C8]
R6R10	RESN_402	[4B5]
R6T1	RESN_402	[55C5]
R6T3	RESN_402	[55D4]
R6T4	RESN_402	[55C5]
R7B2	RESN_402	[48B2]
R7B6	RESN_805	[53B3]
R7D1	RESN_402	[4C7]
R7E1	RESN_402	[49D6]
R7E2	RESN_402	[49D6]
R7E3	RESN_402	[49D6]
R7E4	RESN_402	[49D6]
R7E5	RESN_402	[49D6]
R7E6	RESN_402	[49C6]
R7E7	RESN_402	[4A5]
R7E8	RESN_402	[4A4]
R7F1	RESN_402	[4A4]
R7F2	RESN_402	[4A5]
R7F3	RESN_402	[4A2]
R7F4	RESN_402	[4A2]
R7F5	RESN_402	[50D6]
R7F7	RESN_402	[4A2]
R7F8	RESN_402	[50C2]
R7G1	RESN_603	[50D6]
R7N1	RESN_805	[48A2]
R7N2	RESN_805	[48A1]
R7N3	RESN_805	[48A2]
R7N4	RESN_805	[48A1]
R7R1	RESN_402	[4A6]
R7R2	RESN_402	[4A6]
R7R3	RESN_402	[4A7]
R7R4	RESN_402	[4D7]
R7R5	RESN_402	[4A8]
R7R6	RESN_402	[4B7]
R7R7	RESN_402	[4B7]
R7R8	RESN_402	[4B7]
R7R9	RESN_402	[4B1]
R7R10	RESN_402	[4D7]

R7R11	RESN_402	[4D7]
R7R12	RESN_402	[4A8]
R7R13	RESN_402	[4A7]
R7R14	RESN_402	[4B5]
R7R15	RESN_402	[4B7]
R7R16	RESN_402	[4D7]
R7R17	RESN_402	[4C8]
R7R18	RESN_402	[4A7]
R7R19	RESN_402	[4A7]
R7R20	RESN_402	[4A8]
R7R21	RESN_402	[4A8]
R7R22	RESN_402	[4A7]
R7R23	RESN_402	[4A7]
R7R24	RESN_402	[4C6]
R7T2	RESN_402	[6C5]
R7T4	RESN_402	[49D5]
R7T5	RESN_402	[49D4]
R7T6	RESN_402	[49D5]
R7T7	RESN_402	[49D4]
R7T8	RESN_402	[49D5]
R7T9	RESN_402	[49D4]
R7T10	RESN_402	[55D4]
R7T11	RESN_402	[49C5]
R7T12	RESN_402	[49C4]
R7T13	RESN_402	[49C5]
R7T14	RESN_402	[49C4]
R7T15	RESN_402	[49C5]
R7T16	RESN_402	[49C4]
R7U1	RESN_603	[50A7]
R7U2	RESN_402	[50A5]
R7U3	RESN_402	[4A5]
R7V1	RESN_603	[50C6]
R7V2	RESN_603	[50C6]
R7V3	RESN_603	[50C6]
R7V4	RESN_402	[34C2]
R7V5	RESN_805	[50D6]
R8A1	RESN_402	[48C3]
R8A2	RESN_402	[48C3]
R8A3	RESN_402	[48A4]
R8A4	RESN_402	[48A4]
R8A5	RESN_402	[56B2]
R8B1	RESN_402	[52D3]
R8B2	RESN_402	[52A7]
R8B3	RESN_603	[52A6]
R8B4	RESN_603	[52C3]
R8B5	RESN_402	[48B3]
R8B6	RESN_402	[56B1]
R8B7	RESN_402	[52D3]
R8B8	RESN_402	[52D3]
R8B9	RESN_402	[52C3]
R8B10	RESN_402	[52C3]
R8C1	RESN_402	[52B2]
R8C2	RESN_402	[56A4]
R8C3	RESN_402	[56A4]
R8C4	RESN_402	[56A3]
R8C5	RESN_402	[56A3]
R8C6	RESN_402	[56A3]

R8C7	RESN_603	[52B6]
R8G3	RESN_402	[50B6]
R8N1	RESN_402	[48B2]
R8N2	RESN_805	[52C2]
R8N3	RESN_805	[52A3]
R8N4	RESN_805	[52A2]
R8N5	RESN_805	[52A3]
R8N6	RESN_805	[52A2]
R8N7	RESN_805	[52D6]
R8N17	RESN_402	[34D2]
R8N18	RESN_402	[34C2]
R8P1	RESN_603	[52C7]
R8P3	RESN_402	[52C7]
R8P4	RESN_402	[52C7]
R8P5	RESN_603	[52B7]
R8P6	RESN_603	[52B7]
R8P7	RESN_402	[52C8]
R8P8	RESN_402	[56A2]
R8P9	RESN_402	[52D7]
R8U1	RESN_603	[50B2]
R8U2	RESN_402	[50B3]
R8U3	RESN_402	[50D5]
R8U4	RESN_402	[50B2]
R8U5	RESN_402	[50D5]
R8V1	RESN_603	[50B7]
R8V2	RESN_603	[50B7]
R8V3	RESN_603	[50B6]
R8V4	RESN_603	[50B6]
R8V5	RESN_603	[50B6]
R9B1	RESN_402	[52B2]
R9C1	RESN_805	[51C2]
R9E1	RESN_805	[51B2]
R9F1	RESN_805	[51A2]
R9G1	RESN_603	[45B7]
R9G2	RESN_603	[45C7]
R9P1	RESN_805	[51D5]
R9P2	RESN_805	[51D7]
R9T1	RESN_805	[51C5]
R9T2	RESN_805	[51C7]
R9U1	RESN_805	[51A5]
R9U2	RESN_805	[51B7]
R9V1	RESN_603	[45A7]
R9V2	RESN_603	[45A7]
RT1B1	THERMISTOR_12	[44D5]
	06	
RT1R1	THERMISTOR_12	[47B3]
	06	
RT1U1	THERMISTOR_18	[47B5]
	12	
RT2G1	THERMISTOR_12	[45D3]
	06	
RT2M1	THERMISTOR_12	[43D4]
	06	
RT7C1	THERMISTOR_60	[52D8]
	3	
RT8F1	THERMISTOR_60	[50C6]
	3	



RT8G1	THERMISTOR_12 06	[45D7]
RT8G2	THERMISTOR_12 06	[45B7]
ST1P1	SHORT_SM	[38B7]
ST1P2	SHORT_SM	[38B7]
ST1P3	SHORT_SM	[38A7]
ST2F1	SHORT_SM	[54C1]
ST2F2	SHORT_SM	[54C3]
ST2P1	SHORT_SM	[38C7]
ST2P2	SHORT_SM	[37B7]
ST2P3	SHORT_SM	[37C7]
ST2P4	SHORT_SM	[37A7]
ST3G1	SHORT_SM	[54C3]
ST4C1	SHORT_SM	[28A7]
ST4C2	SHORT_SM	[28A7]
ST4C3	SHORT_SM	[28A7]
ST4C4	SHORT_SM	[28A7]
ST4C5	SHORT_SM	[28A7]
ST5R1	SHORT_SM	[52B7]
ST5R2	SHORT_SM	[52D7]
ST5V1	SHORT_SM	[54C7]
ST6D1	SHORT_SM	[6C7]
ST6F1	SHORT_SM	[54C8]
ST6F2	SHORT_SM	[54C7]
ST6R1	SHORT_SM	[6B7]
ST6R2	SHORT_SM	[6A7]
ST7D1	SHORT_SM	[6A7]
ST7R1	SHORT_SM	[6C7]
ST7T1	SHORT_SM	[50B4]
ST7T2	SHORT_SM	[50A7]
ST8C1	SHORT_SM	[52A8]
ST8F1	SHORT_SM	[50B7]
TP5A1	TDRX4_TH	[56A7]
TP5A2	TDRX4_TH	[56A7]
TP6A1	TDRX2_TH	[56B7]
TP6A2	TDRX2_TH	[56B7]
TP6D1	PROBE_SMT	[4C7]
TP6R1	PROBE_SMT	[4B6]
TP6R2	PROBE_SMT	[4B6]
TP7A1	TDRX4_TH	[57B5]
TP7A2	TDRX4_TH	[57A5]
TP7M1	TDRX2_TH	[57A7]
TP7M2	TDRX2_TH	[57B7]
TP7R1	PROBE_SMT	[4D2]
TP7R2	PROBE_SMT	[4C2]
TP7R3	PROBE_SMT	[4C2]
TP7R4	PROBE_SMT	[4C2]
TP8A1	TDRX2_TH	[57A7]
TP8A2	TDRX2_TH	[57A7]
TP8M1	TDRX4_TH	[57A5]
TP8M2	TDRX4_TH	[57A5]
U1B1	BCM5241_LCC32	[58B3]
U1B2	ICS1893BF_SSO P	[39C5]
U1F1	NCP5662_DPAK	[55D6]
U1F2	NCP1117_DPAK	[45A3]

U1G1	IR_WHOLDER_TH	[42A7]
U1R1	SI4501DY_SO8	[46A4]
U1U1	SN74LVC1G14_S C70	[34A5]
U2B1	XDAC_SOIC14	[40C6]
U2C1	SB_BGA	[33C4]
U2C1	SB_BGA	[34C4]
U2C1	SB_BGA	[35C6]
U2C1	SB_BGA	[36C4]
U2C1	SB_BGA	[37C4]
U2C1	SB_BGA	[38B5]
U2D1	SN74LVC1G125_ SC70	[12B2]
U2E1	NAND_TSOP	[41B3]
U2E2	SN74LVC1G125_ SC70	[12D2]
U2R1	SN74LVC1G125_ SC70	[12A2]
U2T1	NCP1117_DPAK	[53A5]
U3D1	GDDR136_BGA13 6	[23C6] 23C2]
U3E1	GDDR136_BGA13 6	[25C6] 25C2]
U3P1	NCP1117_SOT22 3	[55A7]
U3R1	GDDR136_BGA13 6	[24C2] 24C6]
U3T1	GDDR136_BGA13 6	[26C2] 26C6]
U4C1	AT25020A_SOI8	[13A4]
U4C2	HANA_BGA225	[27C5]
U4C2	HANA_BGA225	[28C4]
U4C2	HANA_BGA225	[30C5]
U4C2	HANA_BGA225	[31B5]
U4D1	NB_BGA	[12C6]
U4D1	NB_BGA	[13C5]
U4D1	NB_BGA	[14C3] 14C7]
U4D1	NB_BGA	[15C3] 15C7]
U4D1	NB_BGA	[16C3]
U4D1	NB_BGA	[17B7] 17B5 17B3 17B2]
U4D1	NB_BGA	[57C8]
U4F1	GDDR136_BGA13 6	[19C2] 19C6]
U4U1	GDDR136_BGA13 6	[20C2] 20C6]
U4V1	ADP1823_LCC32	[54C5]
U5B1	NCP1117_DPAK	[55C7]
U5B2	NCP1117_DPAK	[55B7]
U5C1	NCP1117_SOT22 3	[55C3]
U5F1	GDDR136_BGA13 6	[21B6] 21C2]
U5U1	GDDR136_BGA13 6	[22C2] 22B6]
U6R1	NCP1117_SOT22 3	[55A3]

U6T1	NCP502D_SC70	[55D2]
U6T2	LP2980_SOT23_ 5	[55D2]
U7D1	WATERNOOSE_BG A	[4C4]
U7D1	WATERNOOSE_BG A	[5C5]
U7D1	WATERNOOSE_BG A	[6C3]
U7D1	WATERNOOSE_BG A	[7C7] 7C2 7C5]
U7D1	WATERNOOSE_BG A	[8B2] 8B4 8B7]
U7D1	WATERNOOSE_BG A	[57B3]
U7E1	AT25020A_SOI8	[4A3]
U7U1	ADP3190A_TSSO P28	[50C4]
U8N1	NCP5331_LQFP3 2	[52C5]
U9P1	MOSDRIVER_SOI 8	[51D6]
U9T1	MOSDRIVER_SOI 8	[51B6]
U9U1	MOSDRIVER_SOI 8	[51A6]
Y3B1	CRYSTAL_SM	[27D8]