



Display

Date: **October 22, 2001**

Subject: **RESIDUAL MAGNETIZATION**

Model: **BVM-8045QD, BVM-9045D, PVM-8042Q, PVM-8045Q, PVM-9042QM, PVM-9045QM, PVM-9045PM**

Serial No: **SEE TEXT**

Italicized information in green applies to Europe, Middle East and Africa.

DESCRIPTION

After automatic or manual degauss is operated, residual magnetization may be observed.

If this occurs, open the degauss coils as shown in Figure 1.

SERIAL NUMBERS

BVM-8045QD	UP TO 2,002,535
<i>BVM-9045D</i>	<i>UP TO 2,003,850</i>
PVM-8042Q	UP TO 2,017,350
PVM-8045Q	UP TO 2,009,530
<i>PVM-9042QM</i>	<i>UP TO 2,012,250</i> <i>UP TO 2,100,590</i>
<i>PVM-9045QM</i>	<i>UP TO 2,005,180</i> <i>UP TO 2,100,990</i>
<i>PVM-9045PM</i>	<i>UP TO 2,000,048</i>

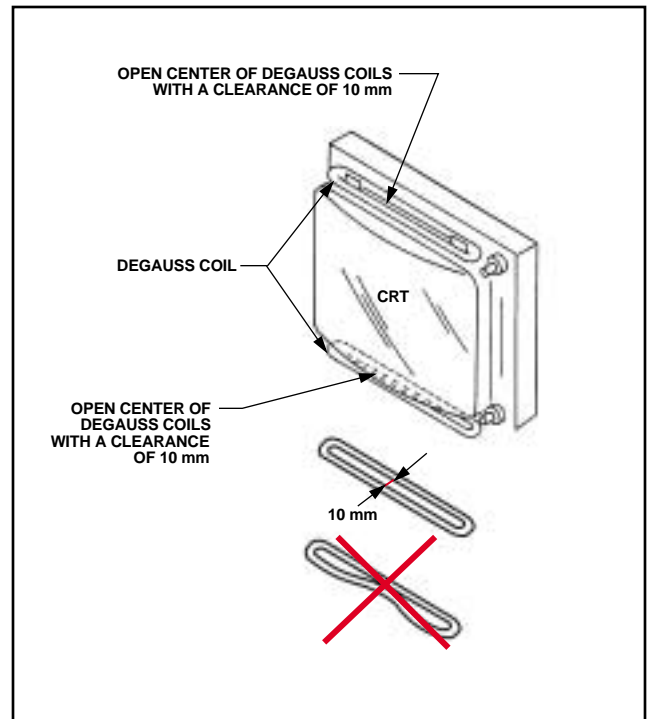


Figure 1