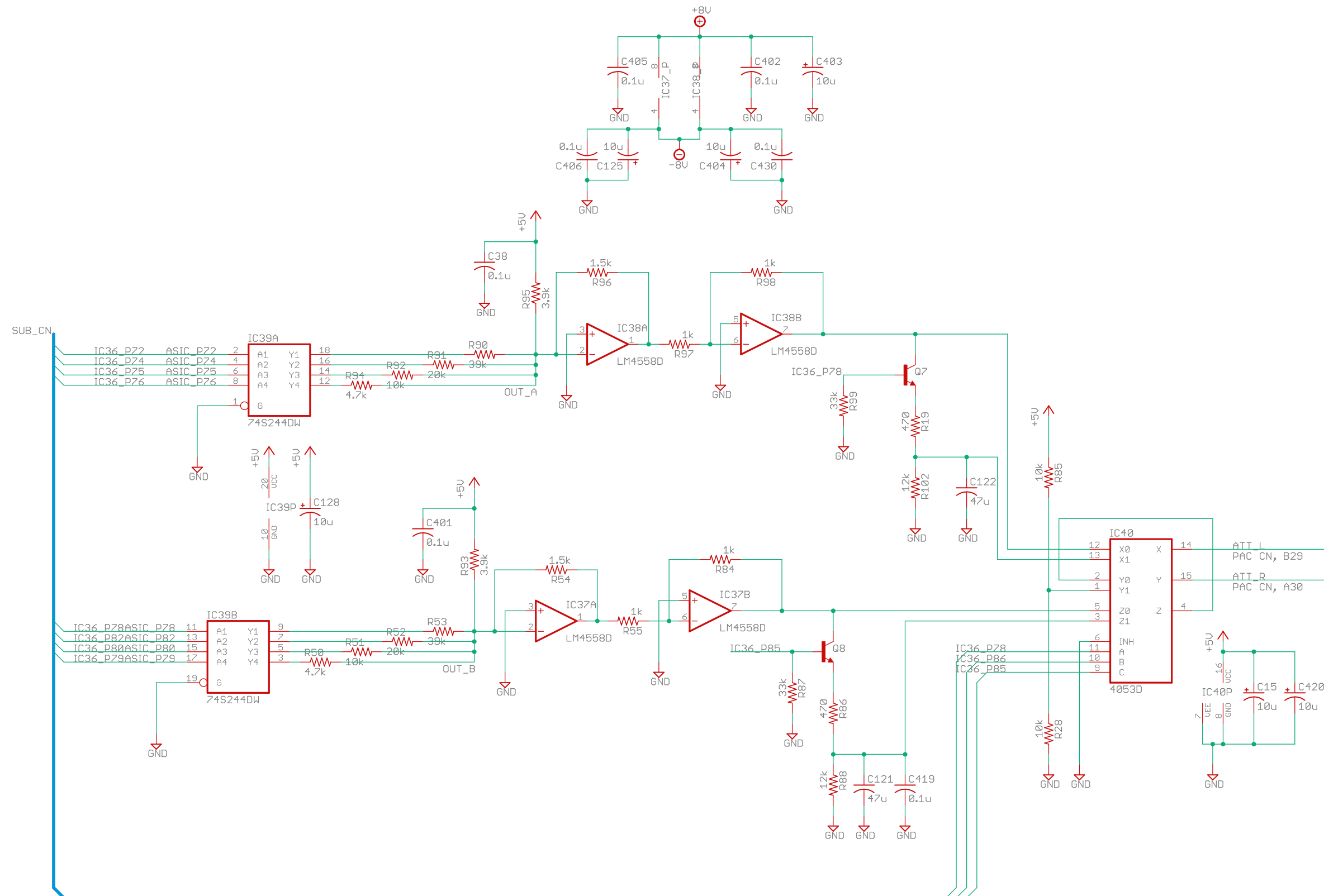
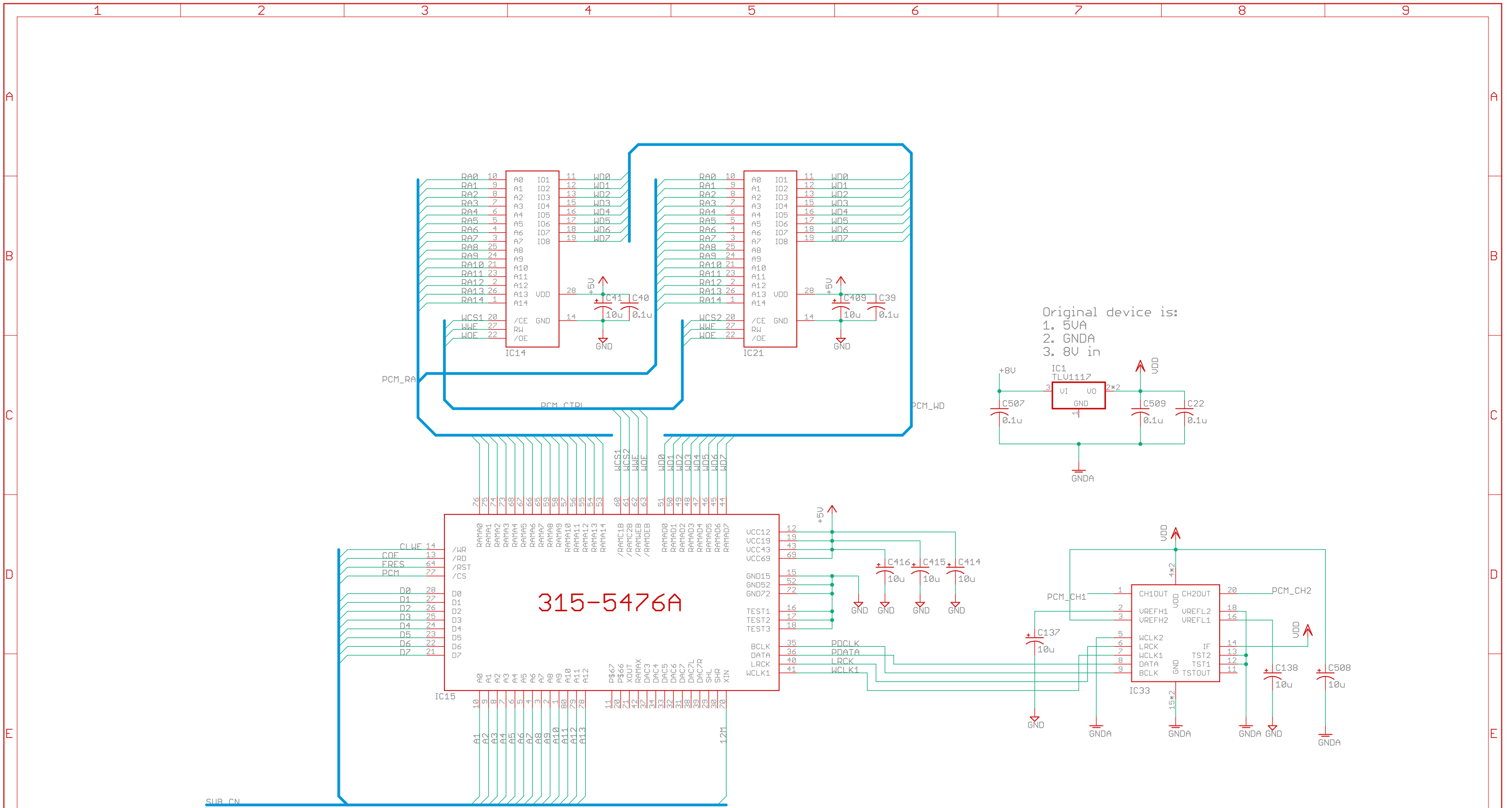


TITLE: PAC-S10 & S1 SSUB	
Document Number:	REV:
Date: 6/15/2022 10:36 AM	Sheet: 1/4



TITLE: PAC-S10 & S1 SSUB	
Document Number:	REV:
Date: 6/15/2022 10:36 AM	Sheet: 2/4



Original device is:
 1. 5VA
 2. GND A
 3. 8V in

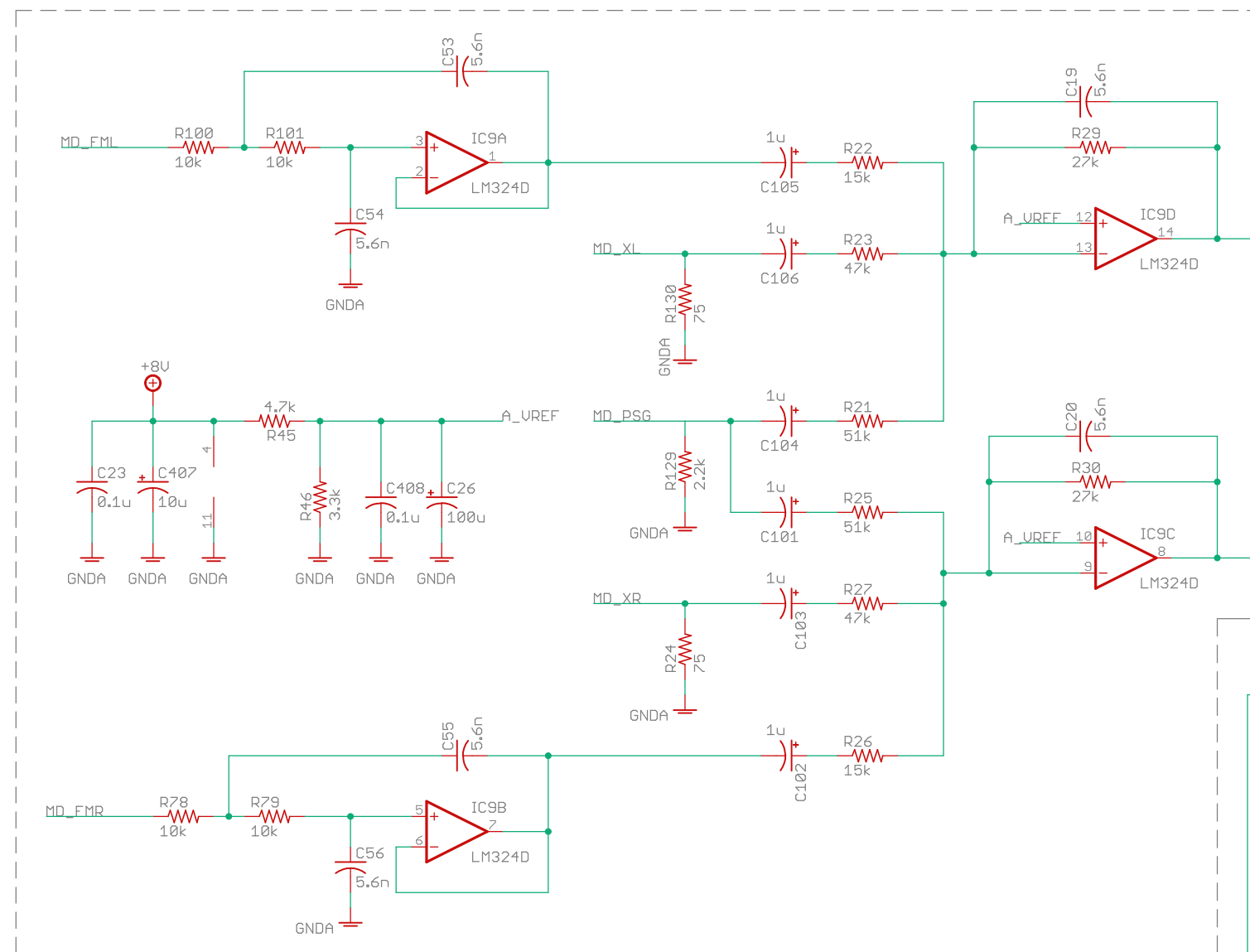
TITLE: PAC-S10 & S1 SSUB

Document Number: _____ REV: _____

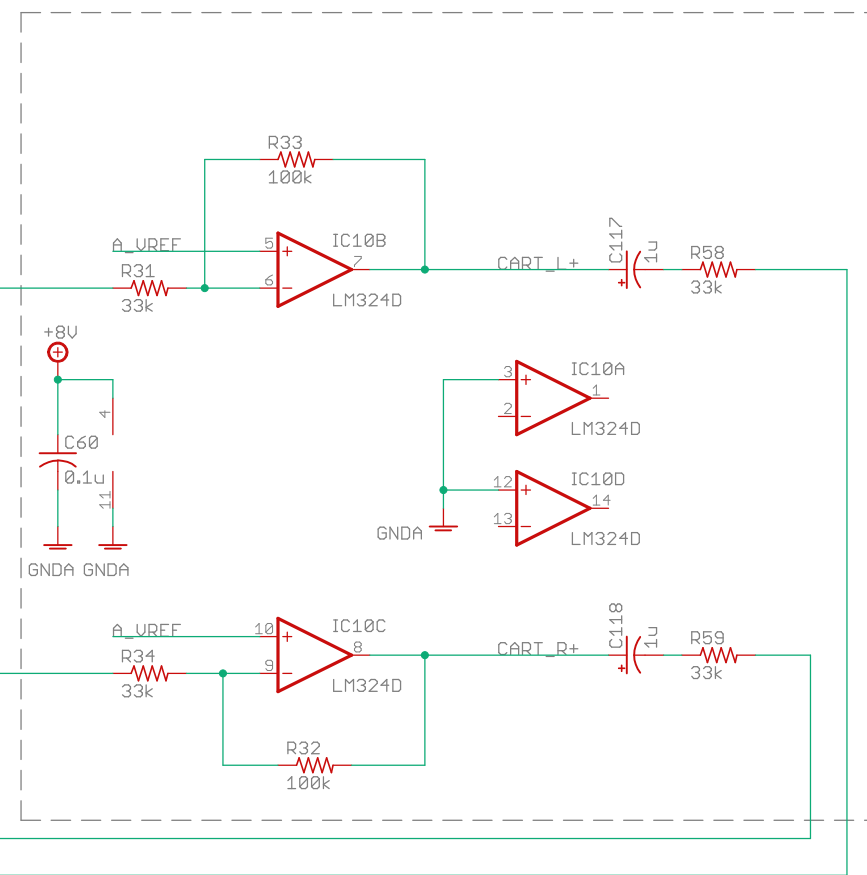
Date: 6/15/2022 10:36 AM

Sheet: 3/4

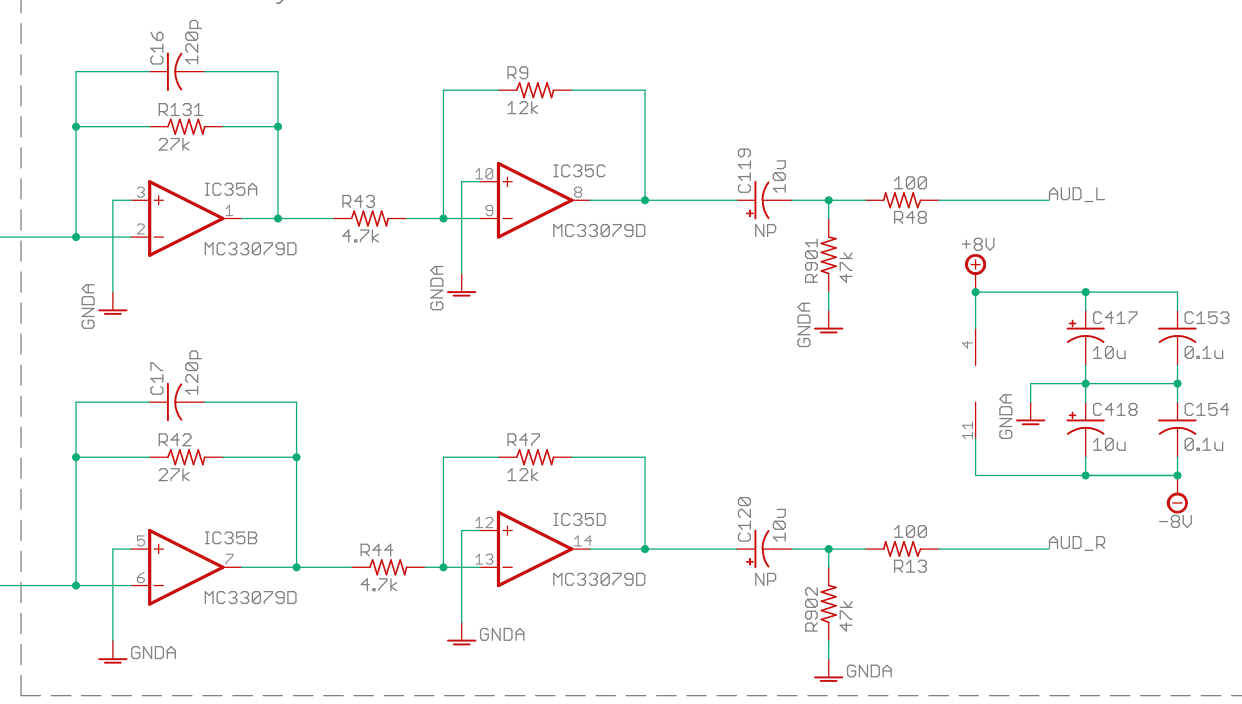
Cart Audio Stage 1



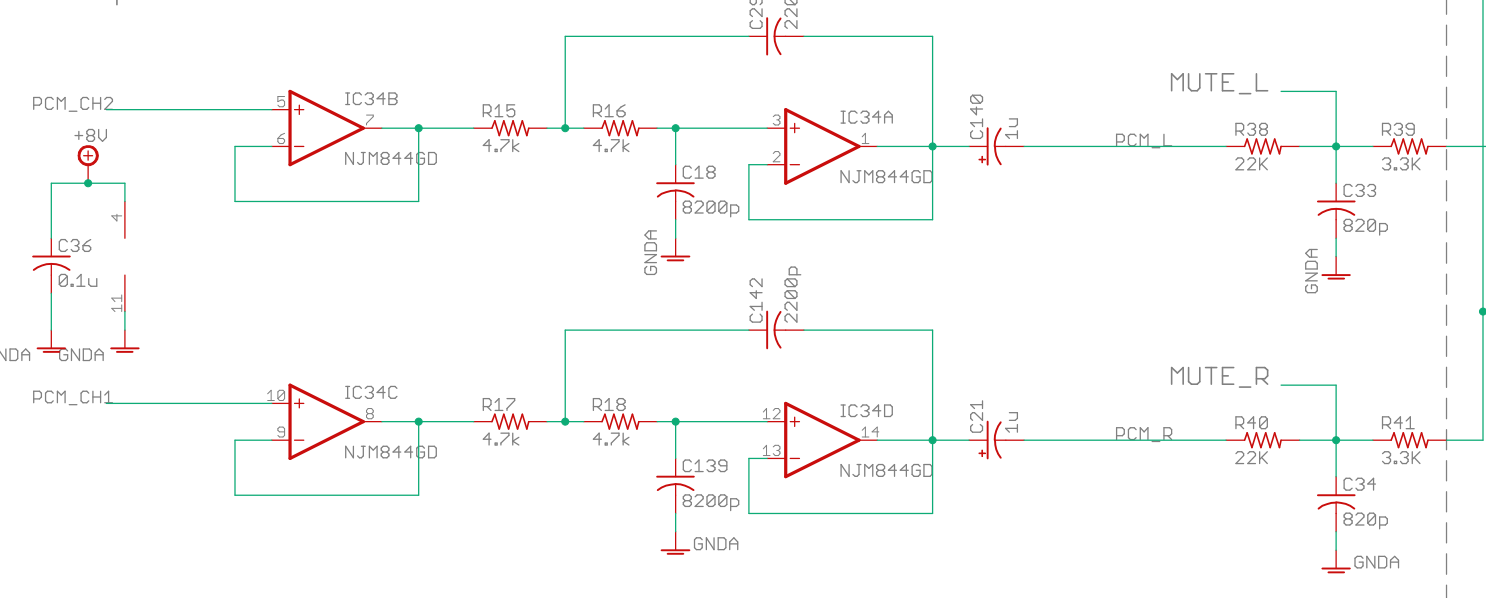
Cart Audio Stage 2



Audio Final Stage



PCM Amp



TITLE: PAC-S10 & S1 SSUB	
Document Number:	REV:
Date: 6/15/2022 10:36 AM	Sheet: 4/4