



Broadcast Products Technical Bulletin 20-2004-239

DATE: December 6, 2004

SUBJECT: AC POWER SWITCH DOES NOT OPERATE
SMOOTHLY

MODEL: PFV-HD300A

SERIAL NO: 10,001–10,170

DESCRIPTION

The power switch may not operate smoothly when turned ON or OFF if the lower part of the switch touches the inner side of the switch guard frame. If the power switch is left as is, the unit may malfunction.

To prevent malfunction, disassemble the cabinet, and affix side and center rail sheets as described in the following modification procedure.

NOTE: If parts are not available, perform the "MODIFICATION WITHOUT PARTS" on page 5.

PARTS REQUIRED

| Part No. | Description | Qty. |
|--------------|-------------------|------|
| 3-620-365-01 | Side Rail Sheet | 2 |
| 3-620-366-01 | Center Rail Sheet | 1 |

ORDERING INFORMATION

To order upgrades or for regional service center and parts ordering information, refer to the following document, which lists all contact telephone numbers:

Technical Bulletin 001999000

MODIFICATION PROCEDURE

WARNING: To avoid electric shock, turn OFF the unit and unplug the power cord from the AC outlet.

1. Remove the front panel by loosening the four screws with stoppers. (See Figure 1.)

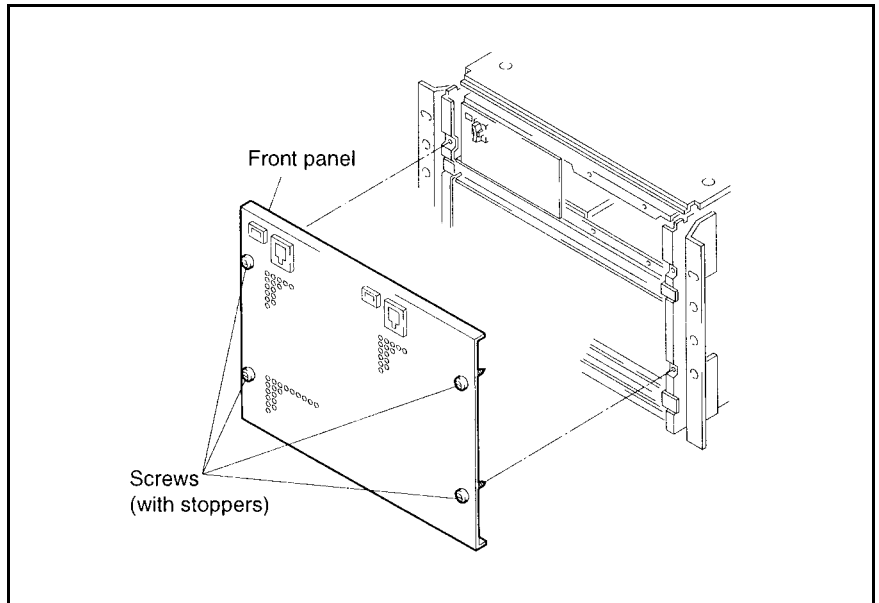


Figure 1

2. Loosen the sixteen screws affixing the fan shield covers. (See Figure 2.)

NOTE: When reattaching the fan shield cover, tighten the screws while lifting the cover upward.

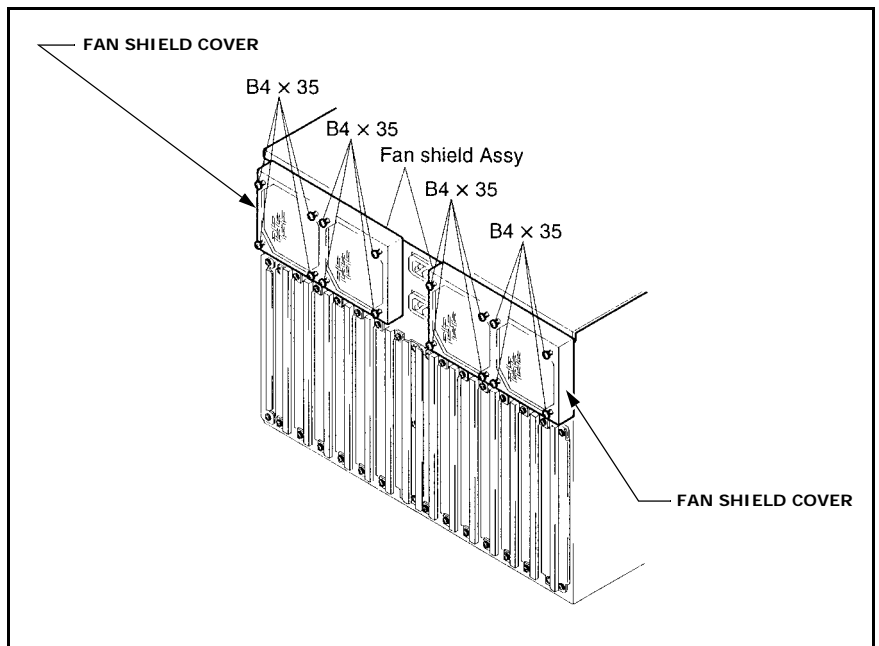


Figure 2

3. Remove the top plate. (See Figure 3.)

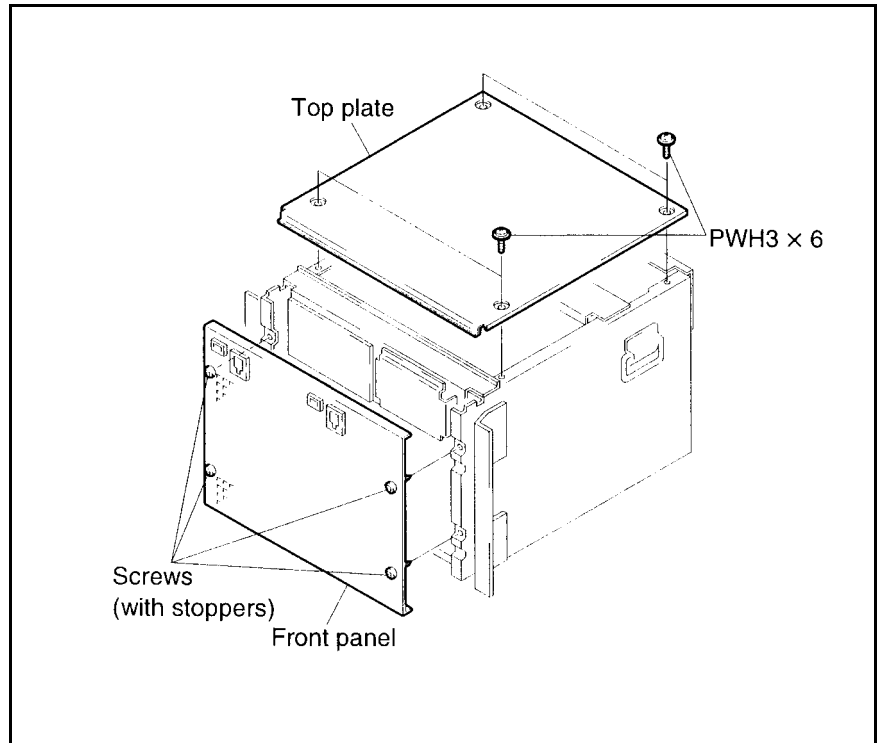


Figure 3

4. Remove the blank panel. (See Figure 4.)

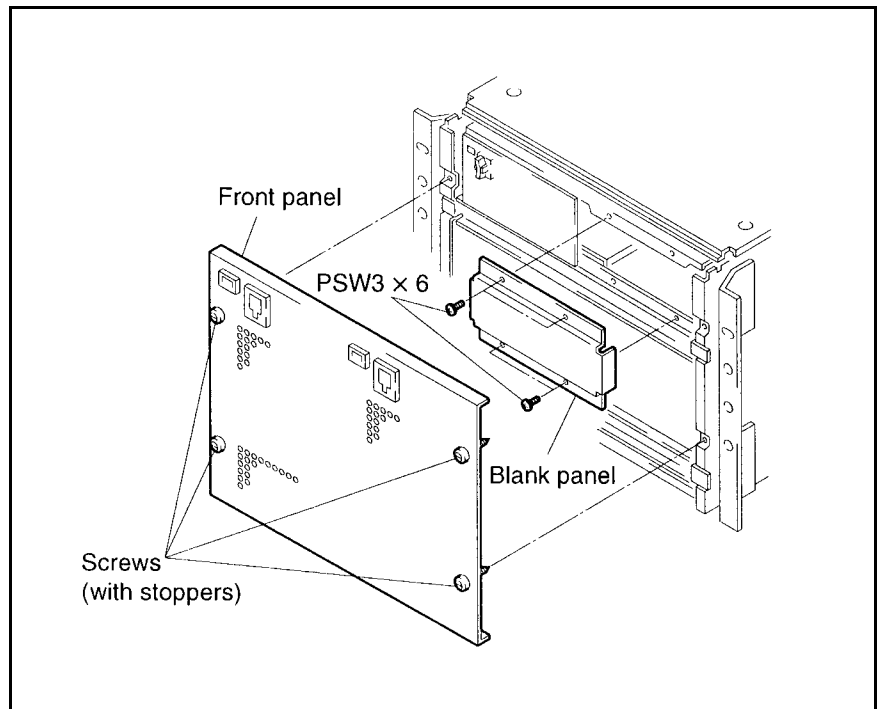


Figure 4

5. Remove the four screws at the front of the HKPF-PS300 power unit. (See Figure 5.)

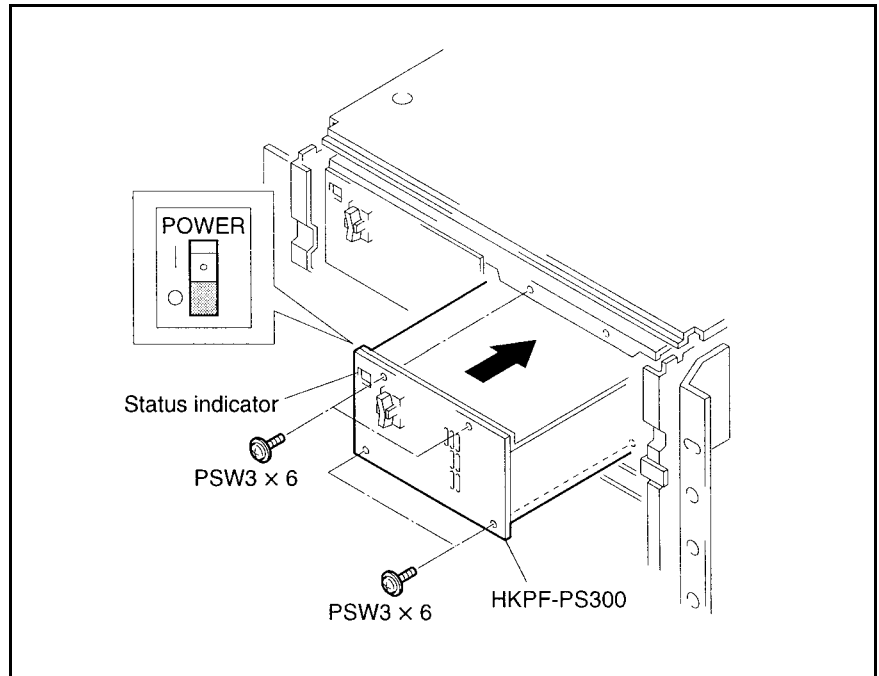


Figure 5

6. Peel the paper off the center rail sheet and affix it as shown in Figure 6.

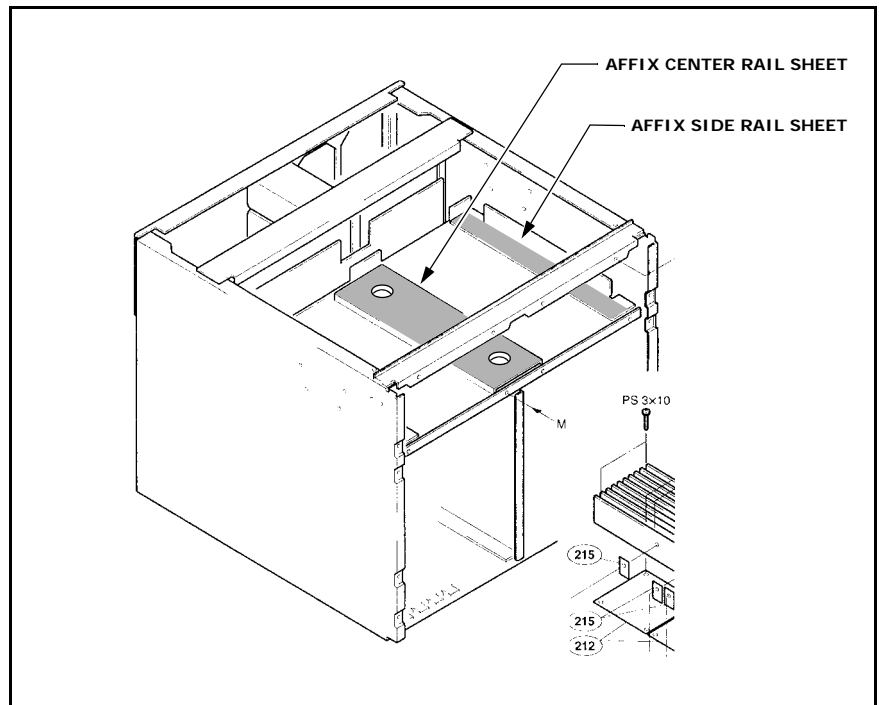


Figure 6

7. Peel the paper off the side rail sheet and affix it as shown in Figure 7.

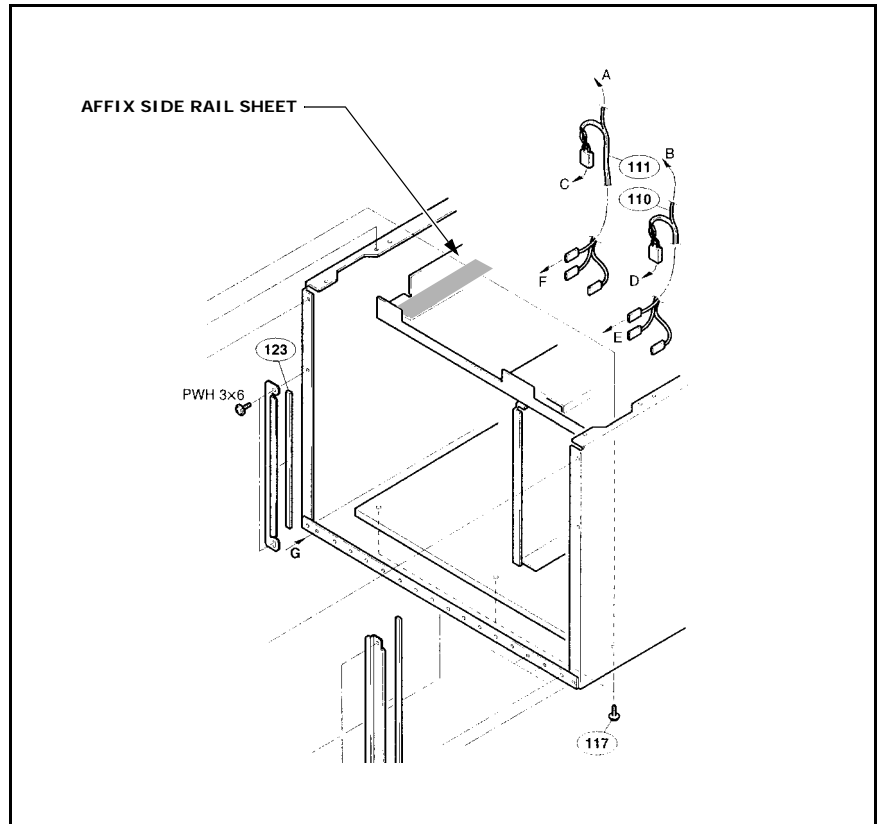


Figure 7

8. Reassemble the unit in reverse order of disassembly.

CONFIRMATION

Confirm that the power switch does not touch the power switch guard frame.

MODIFICATION WITHOUT PARTS

If parts are not available, perform the following steps.

WARNING: To avoid electric shock, turn OFF the unit and unplug the power cord from the AC outlet.

1. Remove the front panel by loosening the four screws with stoppers. (See Figure 1.)
2. Loosen the four screws at the front of the HKPF-PS300 power unit. (See Figure 5.)
3. While lifting the power unit upward, tighten its four screws.
4. Loosely tighten the four screws securing the front panel.
5. While pushing the front panel downward, tighten the four screws securing the front panel.
6. Confirm that the power switch does not touch the power switch guard frame.