



HDVS®

Date: **April 12, 1999**

Subject: **1080i SUPPORT**

Model: **HDM-2830**

Serial No: **ALL**

DESCRIPTION

The HDM-2830 can now support 1080i. Two procedures are provided; it is **not** necessary to perform both procedures.

- To operate using OVERSCAN mode, perform only the ADJUSTMENT PROCEDURE.
- To operate using UNDERSCAN and OVERSCAN modes, perform only the MODIFICATION PROCEDURE.

NOTE: The following conditions apply:

- Phosphors cannot support ITU-R BT.709.
- The internal 1080i signal is not supported (displayed as "1035i").
- The selection of 1035/1080 is not available.
- Fine adjustment of digital convergence does not function after the modification is performed.

ADJUSTMENT PROCEDURE

1. Input the external 1080i signal.
2. Reduce the V size by 4%.
3. Adjust the V center.

PARTS REQUIRED

Part No.	Description	Qty.
1-136-487-11	Cap, 0.015mF	1
1-215-411-00	Res, 390W	1
1-215-377-00	Res, 15W	1

MODIFICATION PROCEDURE

D Board, Side A (See Figure 1.)

1. Replace C18 (0.022mF) with new 0.015mF capacitor.

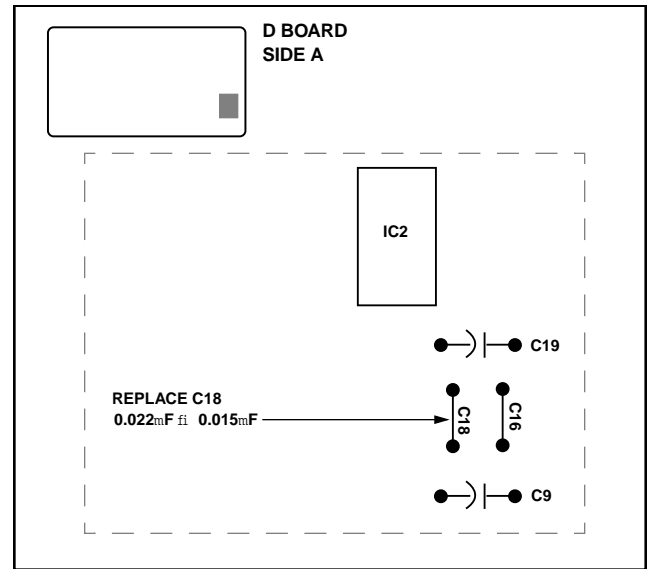


Figure 1

DC Board, Side A (See Figure 2.)

2. Remove resistors R22 and R41.

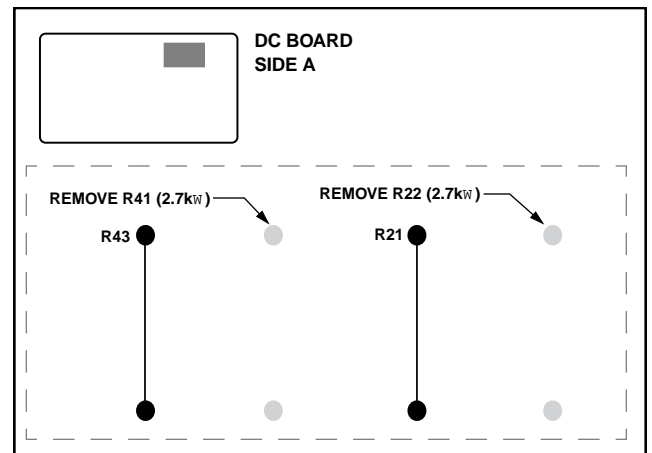


Figure 2



BB Board, Side A (See Figure 3.)

3. Replace R78 (56W) with new 390W resistor.
4. Replace R131 (18W) with new 15W resistor.

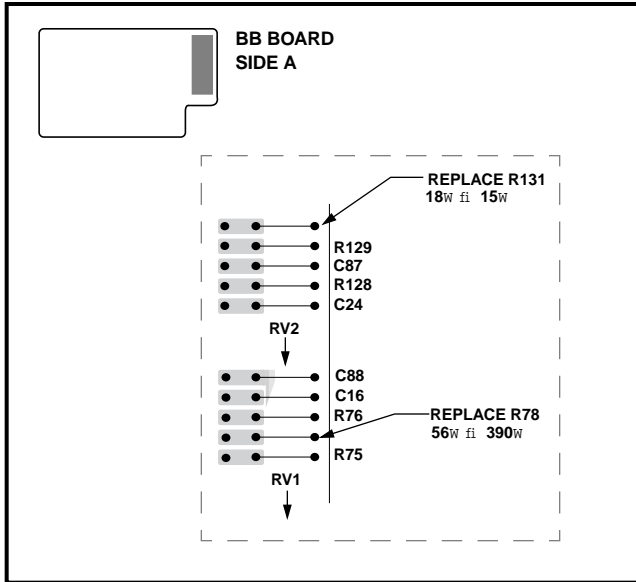


Figure 3

BG Board, Side A (See Figures 4 and 5.)

5. . Solder jumper wire between IC304 pin 4 and IC302 pin 4.

Side B

6. Cut trace between IC304 pin 4 and IC302 pin 5

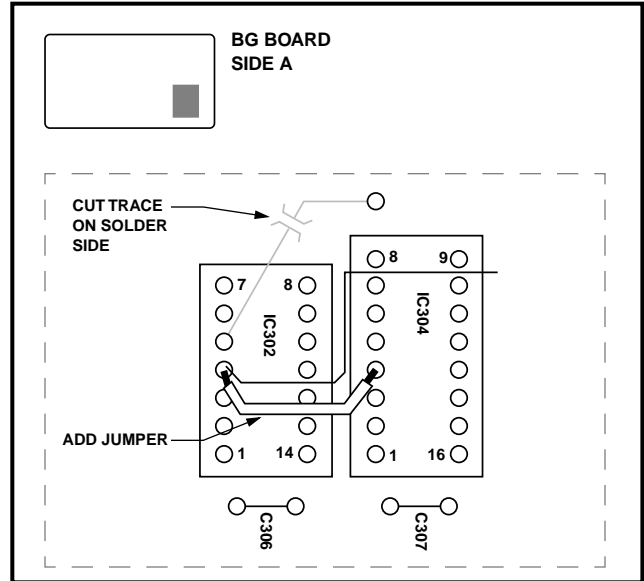


Figure 4

COMPLETION

7. Feed the external 1080i signal, and adjust the following:
 - V size
 - V center
 - Geometry
 - Convergence

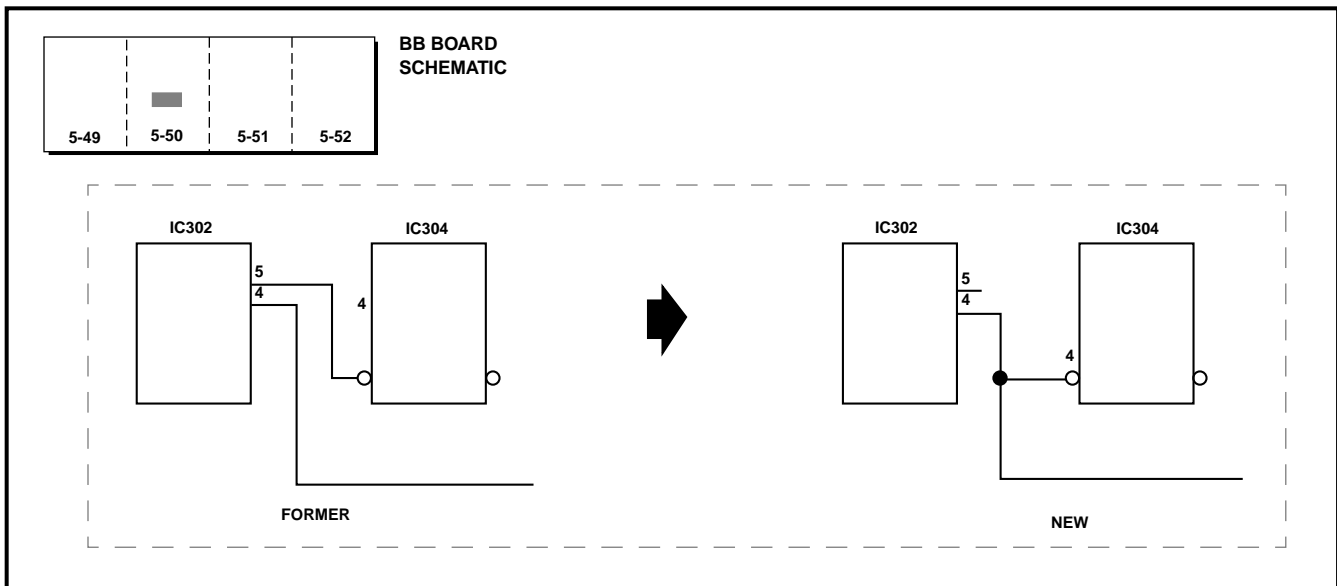


Figure 5