

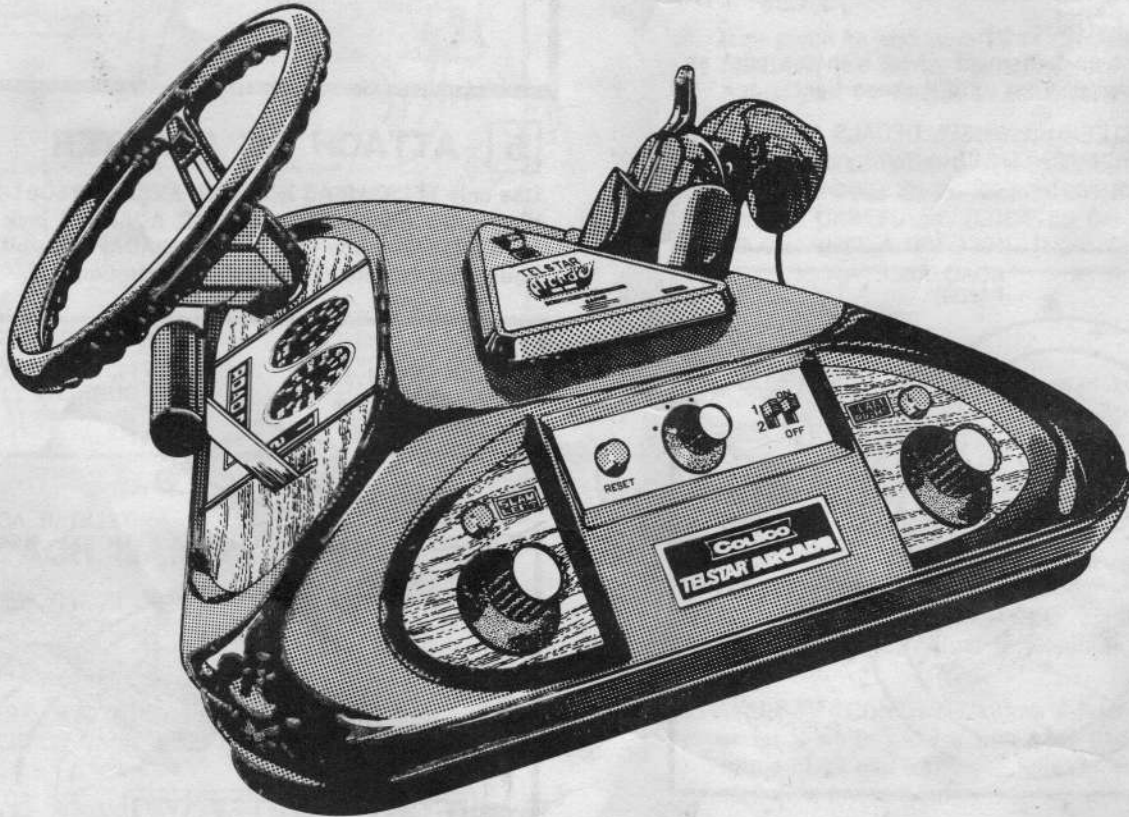


# INSTALLATION INSTRUCTIONS AND GAME RULES

3 Video Games • Cartridge No.1 Plays Road Race, Tennis and Quick Draw • Each Game in Vivid Color • Automatic Digital Display Scoring • Realistic Audio Sounds • Plays on any TV • Other Programable Cartridges Available • AC Adapter Included

### FEDERAL COMMUNICATIONS COMMISSION REQUIRES THE FOLLOWING:

Do not simultaneously hook up more than one TV set to a TELSTAR game. Do not use any more flat twin-lead from switch box to TV set than is supplied with the switch box. Do not connect TELSTAR cable directly to any TV antenna or cable TV outlet. Avoid attaching loose wires to your TV antenna terminals when using TELSTAR. Doing any of the above may cause interference to nearby TV sets and is against Federal Communications Commission regulations.



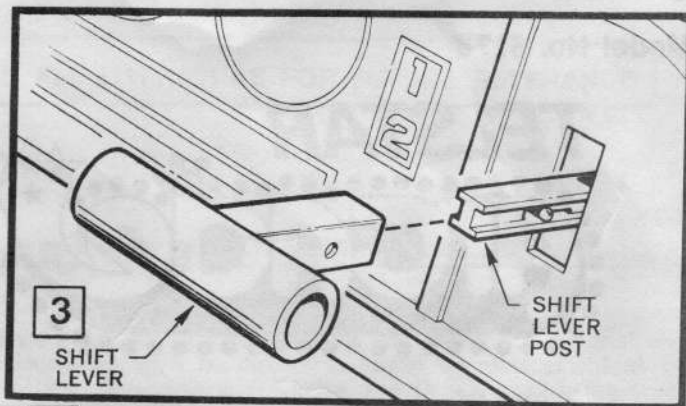
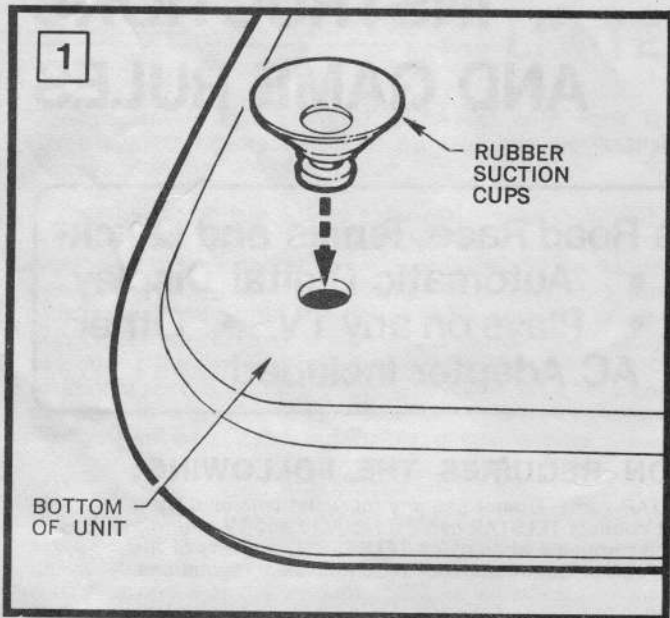
**COLECO**

COLECO INDUSTRIES, INC., AMSTERDAM, N.Y. 12010

# 1 ATTACH LEG SUCTION CUPS

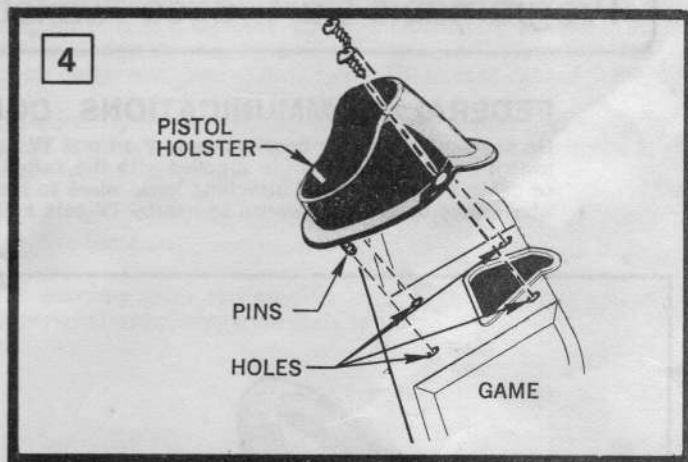
Turn unit over on soft clean surface. Remove 3 rubber suction cups from plastic bag.

Press and twist the suction cups into holes located in each corner of unit as shown. **DO NOT PRESS TOO HARD SO AS TO DAMAGE FRONT OF THE UNIT.**



# 4 ATTACH PISTOL HOLSTER

Align 2 pins on bottom of PISTOL HOLSTER with holes on housing as shown and press in place. Attach 2 screws to top of HOLSTER and screw into console.

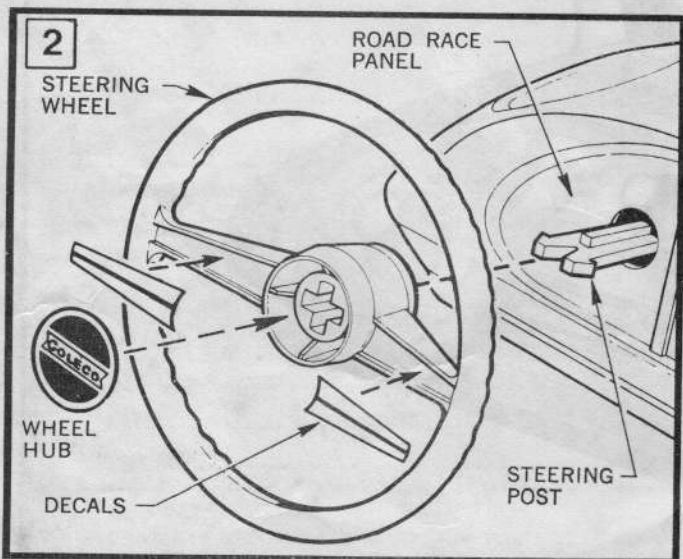


# 2 ATTACH STEERING WHEEL

Attach STEERING WHEEL to STEERING POST located on left side of ROAD RACE PANEL.

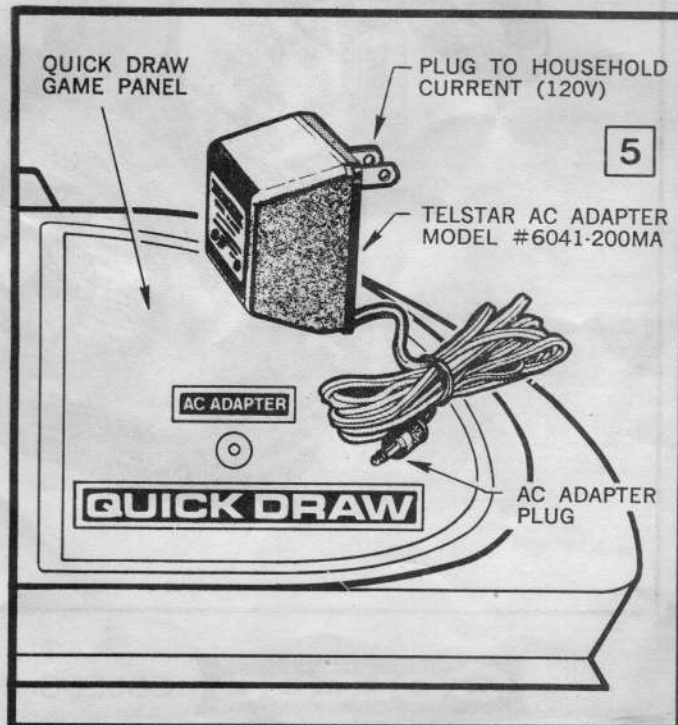
Line up the long slot on bottom of wheel with the post as shown and press wheel on post until it snaps tight.

Peel backing from STEERING WHEEL DECALS and carefully apply in areas shown. Push wheel hub tightly in place. Wipe surfaces clean before applying to assure good adhesion.



# 5 ATTACH AC ADAPTER

Use only TELSTAR AC ADAPTER MODEL #6041-200MA and plug cable from adapter into AC ADAPTER jack located on QUICK DRAW game panel. Plug AC ADAPTER unit to ordinary household current (120V). See illustration.



# 3 ATTACH SHIFT LEVER

Attach SHIFT LEVER to shift post located on right side of ROAD RACE PANEL.

Simply press shift lever on post as shown until it snaps in place.

## 6 ATTACH TO TV SET

An antenna switch box is provided as a convenience to allow you to select, by the flick of a switch, either the TELSTAR games or regular TV viewing. Once installed it need not be removed. Connect the box as follows:

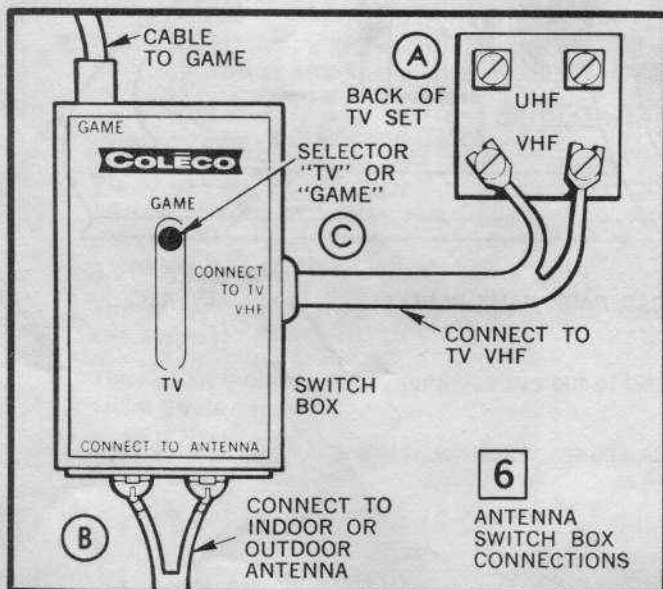
- Disconnect the flat twin-lead VHF antenna leads from your TV set. Connect the flat twin-lead from the **switch box** to the back of the TV set terminals marked "VHF".
- Connect the flat twin-lead (300 OHM) TV antenna leads which you have just disconnected (from the outdoor antenna, cable TV, or rabbit ears) to the switch box marked "Antenna".

**NOTE:** If you have cable TV; a "75 OHM to 300 OHM Balun" matching transformer may be required (it's readily available from any television service department) to permit proper connection to the switch box. Connect this balun to the switch box.

Plug cable from **TELSTAR** unit into switch box.

- Move the select switch to "Game". (Remember that after playing with your Telstar games, move the switch back to "TV" for regular TV viewing.)

**CAUTION:** For best transmission of the games, be sure switch is moved all the way over to "Game" position.



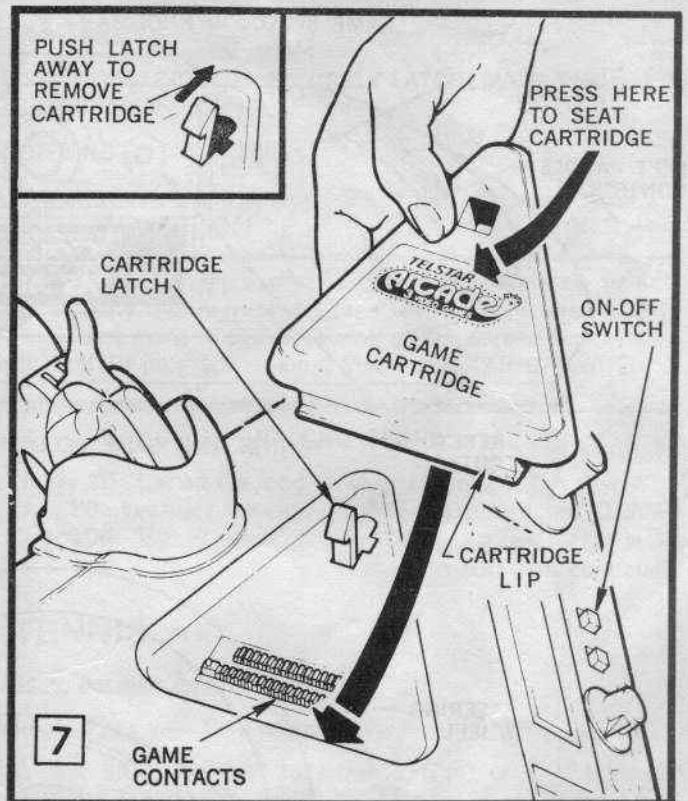
## 7 ATTACH GAME CARTRIDGE

ALWAYS KEEP CARTRIDGE SECURELY IN CONSOLE TO PROTECT ELECTRONIC CIRCUITS.

When changing CARTRIDGE:

- BE SURE "ON-OFF" switch is in "OFF" position. INSERT LIP OF CARTRIDGE INTO CONSOLE AND PRESS DOWN.
- Secure CARTRIDGE by pressing down FIRMLY on word "TELSTAR" (on label).

**CAUTION:** DO NOT TOUCH OR TAMPER WITH CONTACTS. GAME CONTACTS SHOULD NOT BE LEFT EXPOSED.



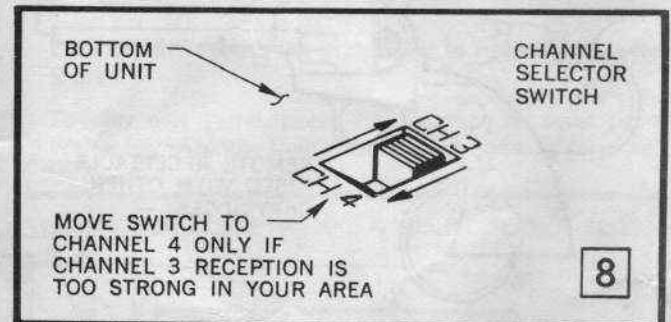
## 8 TV & GAME ADJUSTMENTS

**NOTE:** AS SOON AS GAME IS TURNED ON, A SOUND MAY BE HEARD.

- Turn game on and tune TV to CHANNEL 3. Telstar game has been pre-set at the factory for use on Channel 3. Adjust your TV volume to eliminate all TV sound.

### IMPORTANT

IF YOU HAVE STRONG TV RECEPTION IN YOUR AREA ON CHANNEL 3, MOVE THE CHANNEL SELECTOR SWITCH CAREFULLY, (LOCATED ON BOTTOM OF UNIT) TO CHANNEL 4 POSITION. TUNE TV FOR CHANNEL 4.



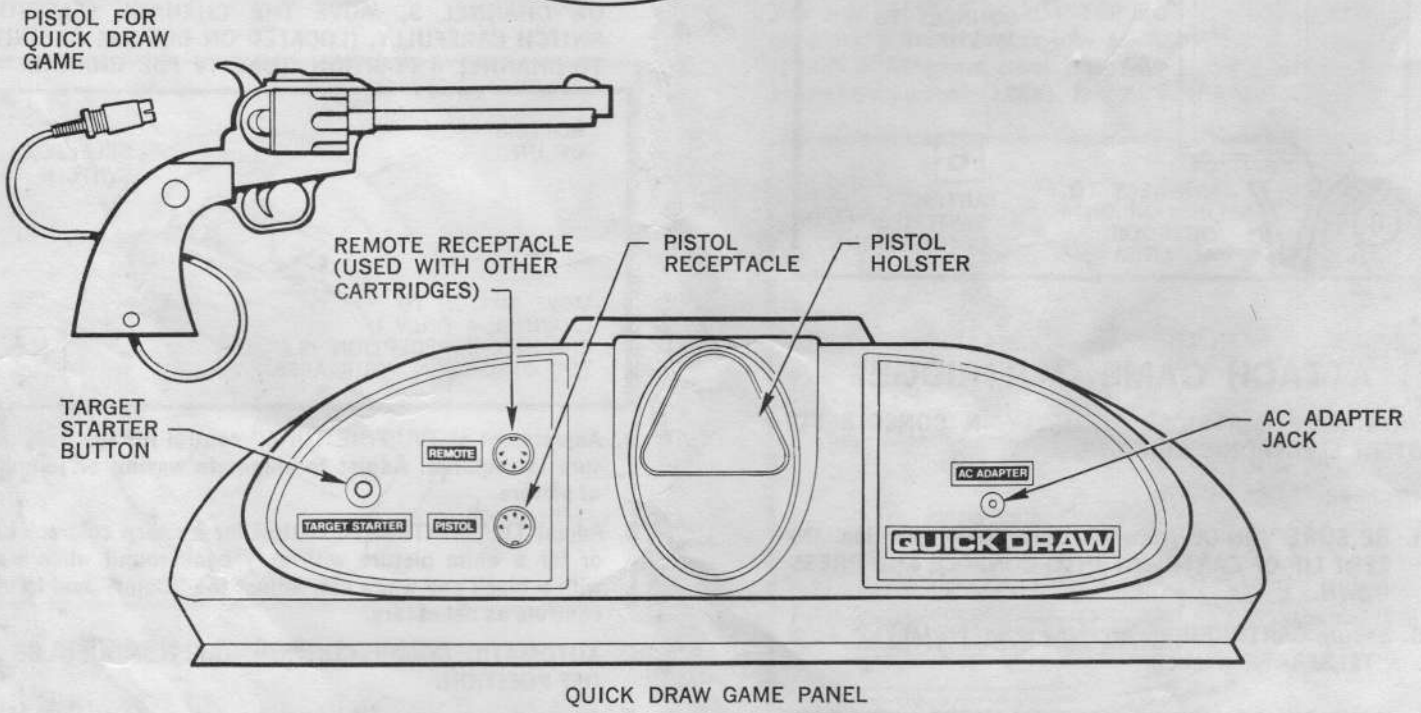
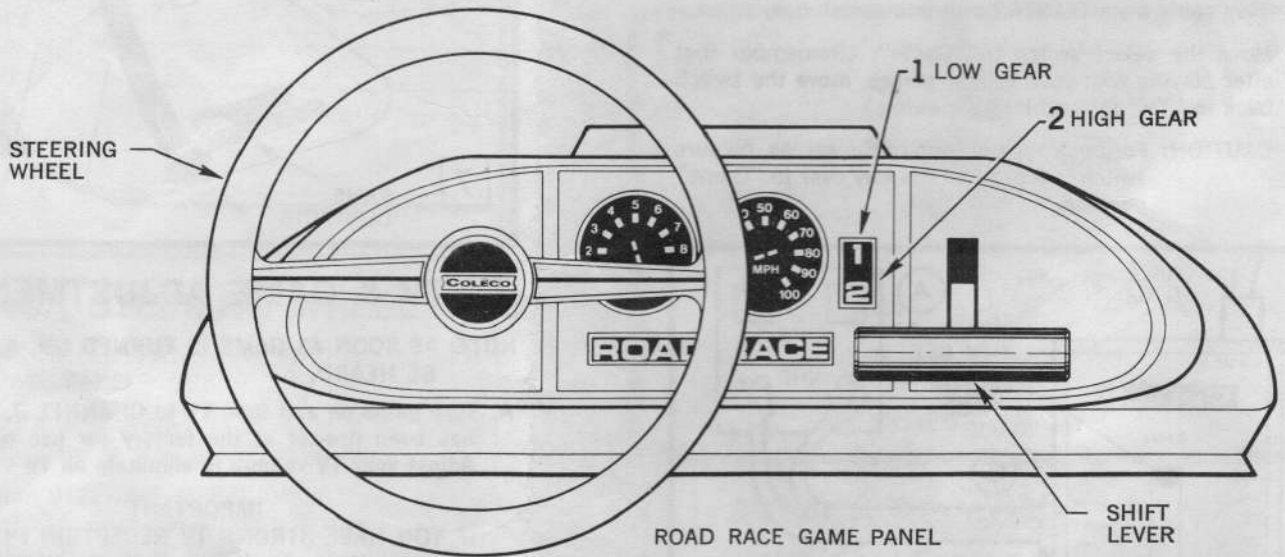
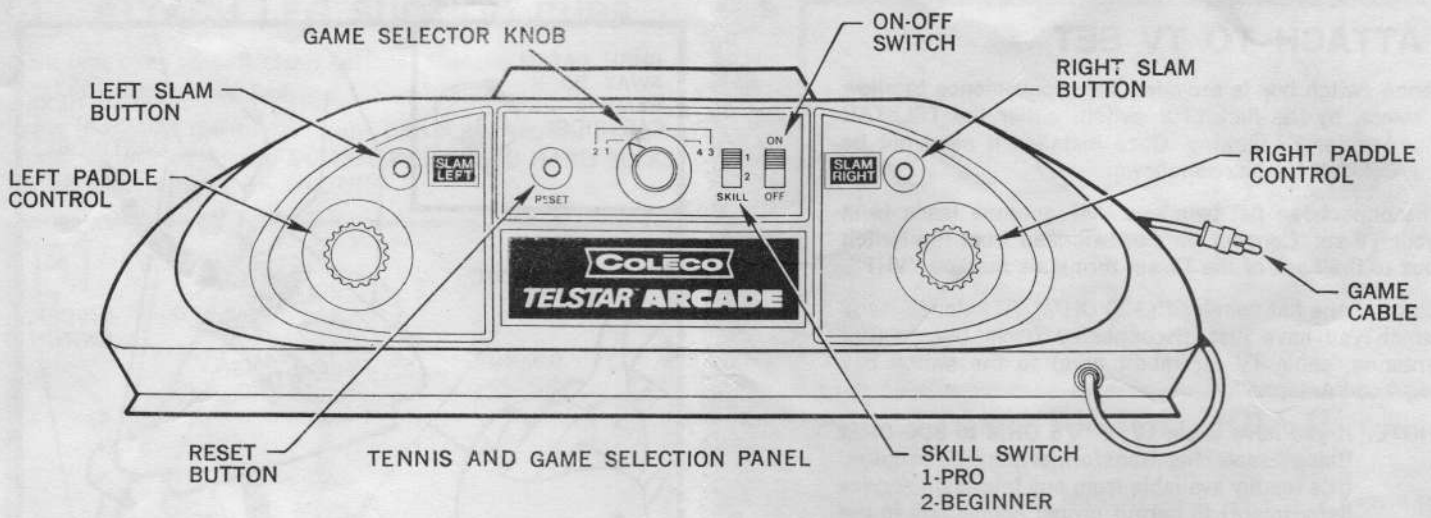
- Adjustment of TV "FINE TUNE" control for the best picture is required. Adjust to eliminate waving or jumping of picture.

- Adjust TV "CONTRAST" control for a sharp color picture or for a white picture with grey background when used with a black and white set. Adjust the "Color" and "Tint" controls as necessary.

AUTOMATIC COLOR CONTROL (AFT) SHOULD BE IN OFF POSITION.

- Depending on your TV it may be necessary to adjust TV "HORIZONTAL HOLD" and/or "VERTICAL HOLD" controls.

The type of adjustments required will vary with the make and model of your TV set. Controls will be found on the front, side or rear of your TV set.



## TO PLAY THE GAME

- ① Turn TELSTAR switch to OFF. Select game cartridge desired. **BE SURE CARTRIDGE IS SECURELY LATCHED.** Cartridge supplied includes 3 games: **Road Race, Tennis and Quick Draw.** (Other cartridges available.)
- ② Adjust color controls of your TV set FOR NORMAL VIEWING CONDITIONS.
- ③ On some sets it may be necessary to adjust the "HUE" or "TINT" control to obtain game colors. If this is necessary on a TV with AUTOMATIC COLOR CONTROL, THIS CONTROL SHOULD BE TURNED "OFF".

**SPECIAL INSTRUCTIONS: (FOR BLACK AND WHITE SETS ONLY)** Do NOT turn "brightness" and "contrast" levels up to a maximum bright position. Failure to shut off game when not in use or lengthy, uninterrupted usage with "brightness" and "contrast" levels turned up to maximum bright or white could result in a faint game image remaining on the screen when set is turned off. Such a faint image would not cause any impairment to normal TV program viewing. SHUT TELSTAR OFF WHEN NOT IN USE.

### ROAD RACE

Game position 1.

To start game — turn power ON.

1. Push gear shift up to **1** gear (low gear). **YOU MUST ALWAYS START IN LOW GEAR 1.** Player car (at left) is stationary and small cars move from left to right.

2. Press **RESET BUTTON ONCE** after small cars appear.

AT START OF RACE

A. Player car at left will now appear to move from left to right. **ONLY** if SHIFT LEVER is in **1** gear.

B. Mileage score (upper left score) is now "00". (Miles traveled) Crashes stop the mileage counter.

C. Time count-down is now "99" and counts down. (Seconds left) Count-down timer continues.

D. Player car at left will appear to accelerate until it passes smaller cars. Use steering wheel to avoid crashes. Keep your car **on the road.** Driving on the shoulders is "illegal."

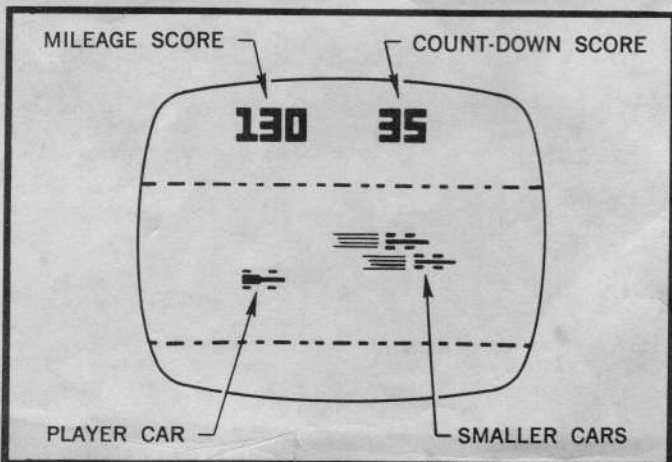
The faster you go, the more mileage you score. (left display)

Time count-down continues until you run out of time. (right display = "00")

Shift into **2** gear (high gear) for faster speeds and higher scores.

3. AFTER CRASH, YOU MUST BE IN **1** GEAR TO RESTART. CAR WILL NOT START IN **2** GEAR. NOTE THAT CARS WILL GO IN REVERSE DIRECTION AFTER EACH CRASH. THERE IS ALSO A 3-6 SECOND PENALTY, SO DRIVE CAREFULLY!

At end of the race, both score and player car blink. To RESTART race, press RESET, wait for little cars, then press RESET again.



### DRIVING SCORE

Under 70 - Get off the road  
Over 80 - Learners Permit  
Over 100 - Taxi Driver

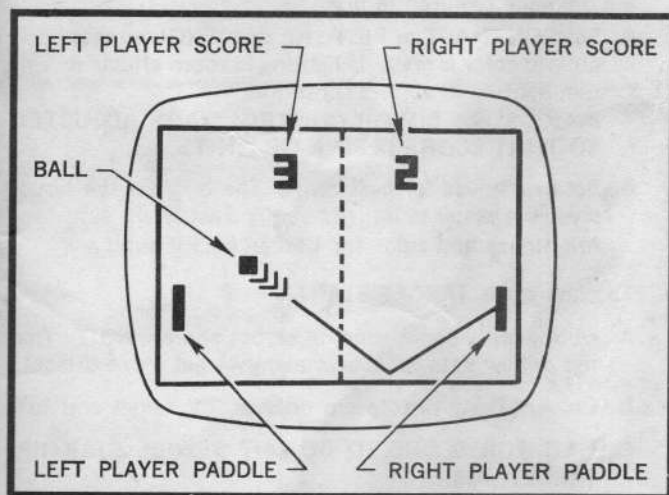
Over 150 - Race Car Driver  
199 (maximum score) CHAMP  
NOTE: If you reach 199, score resets to 100 then continues.

### TENNIS

Game position 2.

To start game — Turn power ON.

1. Set SKILL SWITCH to either **1** (Pro) or **2** (Beginner). THIS EFFECTS THE BALL SPEED.
2. Make sure both paddles are within the court. Game will not RESET unless both paddles are within the court. Ball **ALWAYS** serves from **ONE OF THE PADDLES** and, therefore, must be visible on the court.
3. For **TIME OUT**, merely move the serving paddle **OFF** the court. The ball will only serve when you move the paddle back on the court.
4. **SLAM FEATURE:** Slam button puts "English on the ball". It operates only for the player who has last hit the ball.
5. Score appears only after a point is scored (when ball reaches player's back line).
6. **END OF THE GAME:** the first player to reach "21". Score Blinks.
7. To play new game, press **RESET** once to reset score. Wait a few seconds, then press **RESET** again to serve ball.

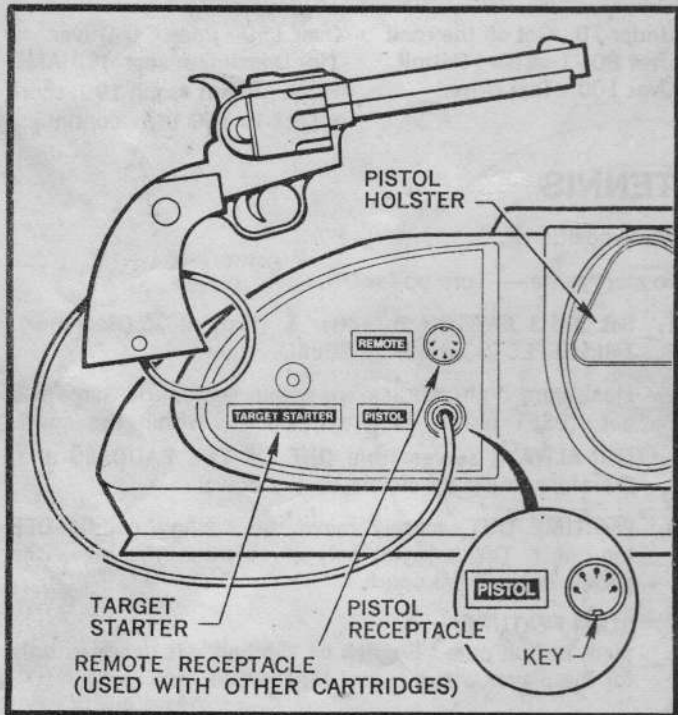


**QUICK DRAW**

Game position 3.

To start game — turn power ON.

1. Make sure pistol connector is inserted firmly in socket on console. **BE SURE TO ALIGN CONNECTOR PROPERLY WITH KEY. DO NOT FORCE CONNECTOR IN PISTOL RECEPTACLE.**
2. Make sure pistol is in **HOLSTER**.



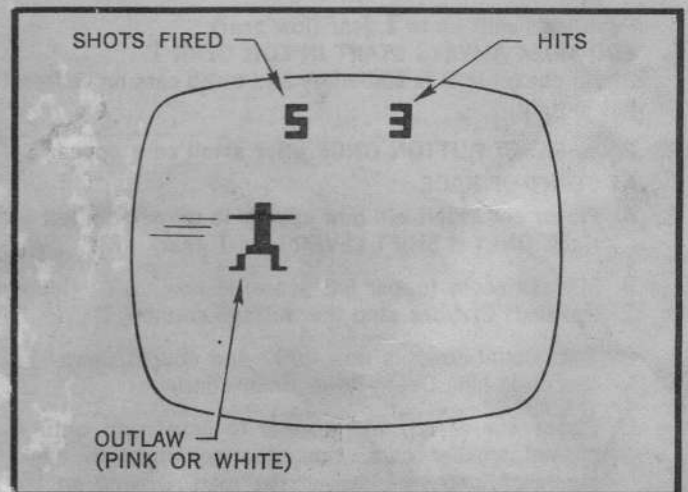
(DO NOT COCK PISTOL, FIRE USING TRIGGER ONLY)

3. Press **RESET** and Score will stop blinking. Game is now ready to play.
4. **Pistol Adjustments.** Firing range of pistol depends on TV size and control settings. The smaller the TV, the closer the distance required to fire.
  - A. Set **CONTRAST** or **PICTURE CONTROL** so that background color is grey. If lighting in room affects scoring, dim lighting to correct condition. **MAKE SURE COLOR CONTROLS ARE ADJUSTED SO THAT SCORE IS PINK OR WHITE.**
  - B. Set brightness for best range. The brighter the target area, the easier to hit. To really test your skill, set brightness and color for darker background.
5. To play, press **TARGET START**.
  - A. Outlaw will appear running across screen. NOTE: That the outlaw gets smaller making target more difficult.
  - B. Quickly draw pistol, aim only at TV target and fire.
  - C. **WAIT FOR SCORE TO GO OUT BEFORE STARTING TARGET AGAIN.**

- D. Replace pistol in holster, press **TARGET STARTER**, draw pistol, aim and fire.
- E. Score on left is the number of shots fired. Score on right is the number of hits.
- F. Game is over when 21 shots have been fired and score blinks.

To start new game, press **RESET TWICE**. Press once to clear screen. Press again and score will stop blinking. Put pistol in holster, press **TARGET START**.

NOW TEST YOUR SKILL — GOOD SHOOTING.



**ARCADE CARTRIDGES FOR ADDED PLAYING ENJOYMENT**

NOTE: Game position 4 and REMOTE RECEPTACLE are not used with this cartridge

PURCHASE THESE ADDITIONAL TELSTAR™ CARTRIDGES FROM YOUR LOCAL TELSTAR DEALER. (OR ORDER DIRECT FROM COLECO)

**CARTRIDGE NO. 2**

Play 8 games—TENNIS, HOCKEY, HANDBALL and TARGET for 1 to 4 players. Comes complete with remote controls.

**CARTRIDGE NO. 3**

Play 6 games—4 PIN BALL (BONUS and DELUXE) and 2 TARGET (SHOOT THE BEAR and SHOOTING GALLERY) for 1 or 2 players.

... More on the way!

# TELSTAR - TROUBLE SHOOTING GUIDE

Be sure all connections to television and switch box are secure. DO NOT OPEN. THIS DEVICE DOES NOT CONTAIN ANY SERVICEABLE PARTS. Warranty is voided if opened or tampered with. RETAIN THIS GUIDE AND ALL LITERATURE FOR FUTURE REFERENCE.

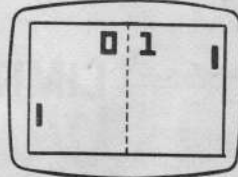


## SYMPTOM

No game.  
Faint TV image or herringbone pattern.

## REMEDY

- Switch box not set to "Game" position or cable not properly plugged in.
- Antenna lead not properly attached. Follow instructions.
- AC adapter not plugged into wall outlet. (Use only TELSTAR MODEL #6041-200MA.)
- On/off switch not "On".
- TV not on Channel 3 (or 4 if game is set on 4).
- Adjust "Fine Tune" control.

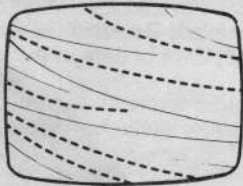


## SYMPTOM

No ball  
Ball erratic  
Score not 0-0

## REMEDY

- Do not place game on top of TV where it can get hot
- Disconnect Pistol
- Paddles must be on court.
- Press "Reset" until score stops blinking.

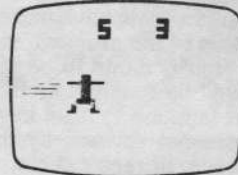


## SYMPTOM

Stripes.  
Lots of dots.

## REMEDY

- Adjust "Horizontal Hold" control located on front, side or rear of TV set.
- Reduce "Color Intensity" (color TV sets only).
- If picture waves, adjust "Fine Tune" and "Contrast" controls until a sharp, steady picture is obtained.



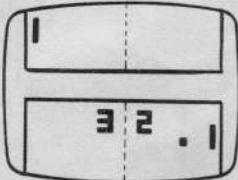
## SYMPTOM

Target does not appear when TARGET STARTER is pressed.

Quick Draw appears on screen in all switch positions.

## REMEDY

- Score not "OUT" — wait.
- Press "Reset" until score stops blinking. Press TARGET STARTER.
- Pistol should not be cocked.
- Remove and reseat cartridge and latch securely.



## SYMPTOM

Picture rolls or excessive flutter.  
Bottom line off screen.  
Buzzing sound from TV.

## REMEDY

- Adjust "Vertical Hold" control located on front, side or rear of TV set.
- Turn down TV volume.



## SYMPTOM

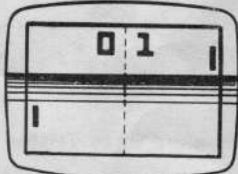
Race car won't start.

Track outline does not move.

Audible hum accompanies game sounds.

## REMEDY

- Make sure GEAR LEVER is in 1st gear.
- Press "Reset" until score stops blinking.
- Disconnect Pistol
- Remove and reseat cartridge and latch securely.

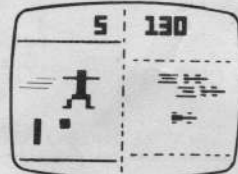


## SYMPTOM

Vertical or horizontal line moving across screen.

## REMEDY

- Push "Reset" button on Telstar.
- Adjust "Contrast" control.



## SYMPTOM

All games appear on TV screen at same time.

## REMEDY

- Turn POWER SWITCH "OFF" and BACK "ON."
- Remove and reseat cartridge and latch securely.

## CARE OF CARTRIDGE

### SYMPTOM

If game is erratic or picture changes.

### REMEDY

- Remove and reseat cartridge and latch securely.
- Clean off protective film on CARTRIDGE CONTACTS by rubbing off with pencil eraser and wipe clean.
- Check if any game contacts are depressed. Carefully lift up contacts with a pencil, nail file or thin blade. Reinstall cartridge.

### SYMPTOM

If CARTRIDGE does not latch.

### REMEDY

- Press latch forward for proper engagement.
- If latch loosens, simply wedge an eraser or small pencil behind latch.



## LIMITED WARRANTY

Coleco warrants to the original purchaser only, each Telstar™ Game against factory defect in material and workmanship for 90 days from the date of purchase.

If your Telstar™ Game fails to operate properly DURING THE FIRST 90 DAYS AFTER PURCHASE, return it postage prepaid, together with your check or money order for \$5 for handling and inspection, and your **name, address, date and place where you purchased it and a brief description of the problem**, to the Factory Service Station as listed. If your unit is found to be factory defective during the first 90 days, it will be repaired or replaced at no additional cost to you. If the unit is found to have been consumer damaged or abused and therefore not covered by the warranty, then you will be advised, in advance, of repair costs.

### SERVICE POLICY

If your Telstar™ Game requires service AFTER EXPIRATION OF THE 90 DAY LIMITED WARRANTY PERIOD and local service is unavailable, you may return the Telstar™ Game, postage prepaid with your check in the amount of \$5 for handling and inspection and your **name, address, date and place where you purchased it and a brief description of the problem**, to the Factory Service Station as listed below. You will be advised of the charges involved to repair your unit.

All returns must be directed to: **Coleco Industries, Inc.  
Telstar Division  
10 Park St.  
Amsterdam, New York 12010**

Coleco's sole and exclusive liability for defects in material and workmanship shall be limited to repair or replacement at an authorized Coleco Service Station, and Coleco shall in no event be liable for incidental, consequential contingent or any other damages, (some states do not allow the exclusion or limitation of incidental or consequential damages, so the above limitation or exclusion may not apply to you). This warranty does not obligate Coleco to bear the cost of transportation charges in connection with the repair or replacement of defective parts.

This warranty is invalid if the damage or defect is caused by accident, act of God, consumer abuse, unauthorized alteration or repair, vandalism or misuse, or if the enclosed Registration Card is not properly registered within fifteen (15) days of date of purchase.

This warranty is made in lieu of any other express warranty, and except for the foregoing warranty which is exclusive, there is no other express warranty being made.

This warranty does not cover any claim concerning worn out or defective batteries.

**This warranty gives you specific legal rights, and you may have other rights which vary from state to state.**

----- CUT ALONG DOTTED LINE - FILL OUT BOTH SECTIONS AND MAIL -----

----- SHIPPING LABEL-----PRINT CLEARLY IN INK DO NOT REMOVE-----

### ACCESSORIES AVAILABLE



COLECO IND., P.O. BOX 1250  
GLOVERSVILLE, N.Y. 12078

**TO**

NAME \_\_\_\_\_  
ADDRESS \_\_\_\_\_  
CITY \_\_\_\_\_ STATE \_\_\_\_\_  
ZIP CODE \_\_\_\_\_

POSTMASTER:  
CONTENTS MERCHANDISE — RETURN POSTAGE GUARANTEED.  
MAY BE OPENED FOR POSTAL INSPECTION IF NECESSARY.

No. 6041-200MA AC Adapter.  
No. 6111 Switch Kit: A convenience feature when Telstar is to be used on more than one TV set.  
If accessories are not available at your local dealer, they can be obtained from Coleco Industries, Inc., P.O. Box 1250, Gloversville, N.Y., 12078.

Fill out and send this form.

NOTE: Prices and parts subject to change without prior notice.	Please ship ( ) ea. Cartridge latch @ \$1.00
	( ) ea. AC Adapters @ \$5.00
	( ) ea. Switch Kits @ \$5.00
	( ) ea. Pistol @ \$10.00
	( ) ea. Cartridge No. 1 @ \$25.00
	( ) ea. Cartridge No. 2 @ \$25.00
	( ) ea. Cartridge No. 3 @ \$25.00

Appropriate State Tax

Shipping & Handling \$1.75

TOTAL

NO C.O.D. ORDERS WILL BE ACCEPTED