

Table 1

Model No.	Upper Ass'y	Lower Ass'y
PVM-1340	4-391-866-01	4-391-867-01
PVM-1341		
PVM-1342		
PVM-1343MD		
PVM-1344Q		
PVM-1345Q	4-043-762-01	4-043-763-01
PVM-1350		
PVM-1351Q		
PVM-1942Q	4-393-346-01	4-393-347-01
PVM-1943MD		
PVM-1944Q		
PVM-1954Q	4-043-769-01	4-043-770-01

Display

Date: **April 18, 1994**

Subject: **BREAKAGE DUE TO USE OF
INCORRECT PACKING MATERIALS**

Model: **SEE TEXT**

Serial No: **ALL**

DESCRIPTION

Breakage of a large number of "A" and "F" boards has occurred due to incorrect packing materials used in shipment of the monitor in the following models:

PVM-1340/1341/1342/1343MD/1344Q

PVM-1350/1351Q/1354Q

PVM-1942/1943MD/1944Q

PVM-1954Q

This problem may stem from supporting both the top and bottom areas of the monitor using a chemical packing foam that covers the entire surface of the monitor. When this technique is used, and a heavy object is placed on top of the shipping box, the weight of the object is supported directly by the strength of the "A" and "F" boards (depending on the model)—either board may then crack.

This breakage will also occur if the monitor is shipped in a custom shipping case that uses instrument foam to support the monitor. If the foam covers the entire bottom of the monitor, shock forces will be transferred directly onto the "A" and "F" board.

CORRECT SHIPPING METHOD/MATERIALS

(See Figure 1.)

During all shipments, the bottom of the monitor must NOT be supported in the area marked by the arrow!

NOTE: When reshipping a monitor, either (1) reuse the old packing material or (2) purchase new foam inserts from Kansas City Parts Distribution. (For applicable part numbers, see Table 1.)

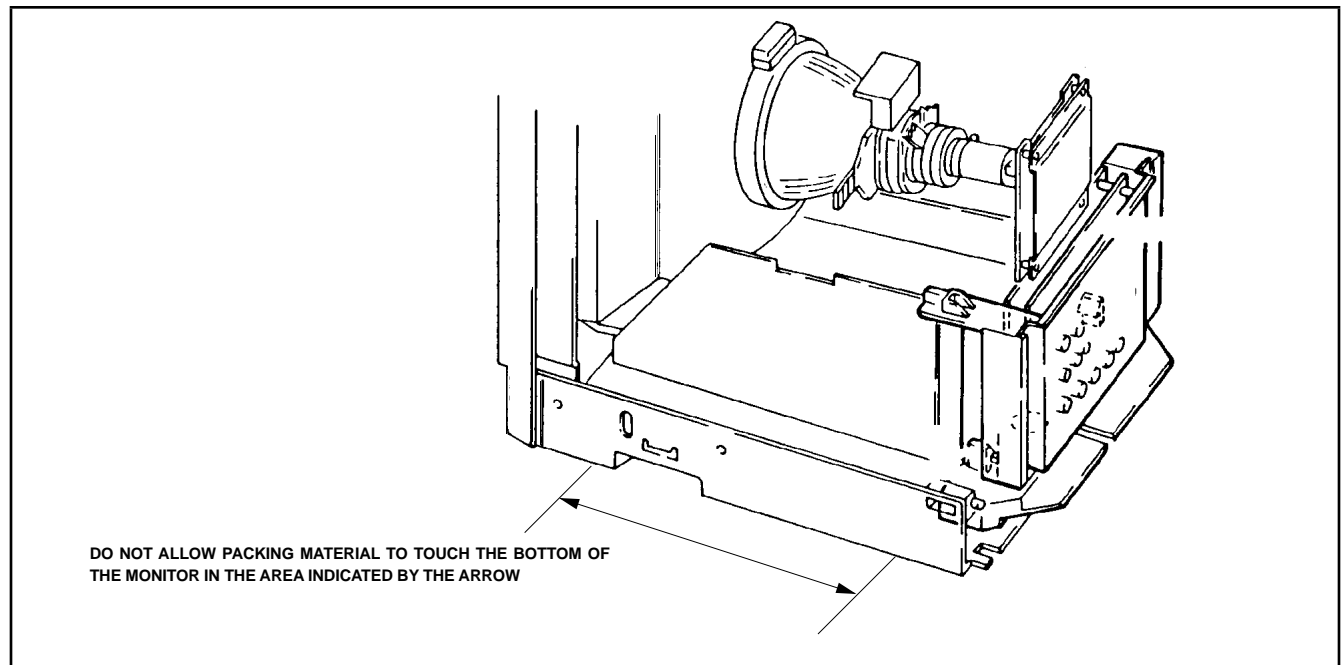


Figure 1