

PARTS LIST

CAUTION

- The parts identified by the Δ symbol are important for the safety . Whenever replacing these parts, be sure to use specified ones to secure the safety.
- The parts not indicated in this Parts List and those which are filled with lines --- in the Parts No. columns will not be supplied.
- P. W. Board Ass'y will not be supplied, but those which are filled with the Parts No. in the Parts No. columns will be supplied.

ABBREVIATIONS OF RESISTORS, CAPACITORS AND TOLERANCES

RESISTORS		CAPACITORS	
CR	Carbon Resistor	C CAP.	Ceramic Capacitor
FR	Fusible Resistor	E CAP.	Electrolytic Capacitor
PR	Plate Resistor	M CAP.	Mylar Capacitor
VR	Variable Resistor	CH CAP.	Chip Capacitor
HV R	High Voltage Resistor	HV CAP.	High Voltage Capacitor
MF R	Metal Film Resistor	MF CAP.	Metalized Film Capacitor
MG R	Metal Glazed Resistor	MM CAP.	Metalized Mylar Capacitor
MP R	Metal Plate Resistor	MP CAP.	Metalized Polystyrol Capacitor
OM R	Metal Oxide Film Resistor	PP CAP.	Polypropylene Capacitor
CMF R	Coating Metal Film Resistor	PS CAP.	Polystyrol Capacitor
UNF R	Non-Flammable Resistor	TF CAP.	Thin Film Capacitor
CH V R	Chip Variable Resistor	MPP CAP.	Metalized Polypropylene Capacitor
CH MG R	Chip Metal Glazed Resistor	TAN. CAP.	Tantalum Capacitor
COMP. R	Composition Resistor	CH C CAP.	Chip Ceramic Capacitor
LPTC R	Linear Positive Temperature Coefficient Resistor	BP E CAP.	Bi-Polar Electrolytic Capacitor
		CH AL E CAP.	Chip Aluminum Electrolytic Capacitor
		CH AL BP CAP.	Chip Aluminum Bi-Polar Capacitor
		CH TAN. E CAP.	Chip Tantalum Electrolytic Capacitor
		CH AL BP E CAP.	Chip Tantalum Bi-Polar Electrolytic Capacitor

RESISTORS									
F	G	J	K	M	N	R	H	Z	P
±1%	±2%	±5%	±10%	±20%	±30%	+30% -10%	+50% -10%	+80% -20%	+100% -0%

CONTENTS

USING P.W. BOARD & REMOTE CONTROL UNIT	3-3
EXPLODED VIEW PARTS LIST	3-3
USING P.W. BOARD & REMOTE CONTROL UNIT	3-3
EXPLODED VIEW PARTS LIST	3-3
EXPLODED VIEW	3-4
PRINTED WIRING BOARD PARTS LIST	3-5
[AV-32430/MA]	
MAIN PW BOARD ASS'Y (SGE-1064A-M2)	3-5
CRT SOCKET PW BOARD ASS'Y (SGE-3061A-M2)	3-8
AV SELECTER PW BOARD ASS'Y (SGE-5062A-M2)	3-8
FRONT TERMINAL PW BOARD ASS'Y (SGE-6061A-M2)	3-9
FRONT CONTROL PW BOARD ASS'Y (SGE-7061A-M2)	3-9
[AV-32430/RA]	
MAIN PW BOARD ASS'Y (SGE-1066A-M2)	3-11
CRT SOCKET PW BOARD ASS'Y (SGE-3061A-M2)	3-14
AV SELECTER PW BOARD ASS'Y (SGE-5062A-M2)	3-14
FRONT TERMINAL PW BOARD ASS'Y (SGE-6061A-M2)	3-14
FRONT CONTROL PW BOARD ASS'Y(SGE-7061A-M2)	3-14
[AV-32430/YA]	
MAIN PW BOARD ASS'Y (SGE-1065A-M2)	3-15
CRT SOCKET PW BOARD ASS'Y (SGE-3062A-M2)	3-18
AV SELECTER PW BOARD ASS'Y (SGE-5062A-M2)	3-18
FRONT TERMINAL PW BOARD ASS'Y (SGE-6061A-M2)	3-18
FRONT CONTROL PW BOARD ASS'Y (SGE-7061A-M2)	3-18
[AV-32432/MA]	
MAIN PW BOARD ASS'Y (SGE-1061A-M2)	3-19
CRT SOCKET PW BOARD ASS'Y (SGE-3061A-M2)	3-22
AV SELECTER PW BOARD ASS'Y (SGE-5061A-M2)	3-22
FRONT TERMINAL PW BOARD ASS'Y (SGE-6061A-M2)	3-23
FRONT CONTROL PW BOARD ASS'Y (SGE-7061A-M2)	3-23
[AV-32432/RA]	
MAIN PW BOARD ASS'Y (SGE-1063A-M2)	3-24
CRT SOCKET PW BOARD ASS'Y (SGE-3061A-M2)	3-27
AV SELECTER PW BOARD ASS'Y (SGE-5061A-M2)	3-27
FRONT TERMINAL PW BOARD ASS'Y (SGE-6061A-M2)	3-27
FRONT CONTROL PW BOARD ASS'Y (SGE-7061A-M2)	3-27
[AV-32432/YA]	
MAIN PW BOARD ASS'Y (SGE-1062A-M2)	3-28
CRT SOCKET PW BOARD ASS'Y (SGE-3062A-M2)	3-31
AV SELECTER PW BOARD ASS'Y (SGE-5061A-M2)	3-31
FRONT TERMINAL PW BOARD ASS'Y (SGE-6061A-M2)	3-31
FRONT CONTROL PW BOARD ASS'Y (SGE-7061A-M2)	3-31
REMOTE CONTROL UNIT PARTS LIST (RM-C1255G-1H)	3-32
REMOTE CONTROL UNIT PARTS LIST (RM-C203-1C)	3-32
PACKING	3-33
PACKING PARTS LIST	3-33

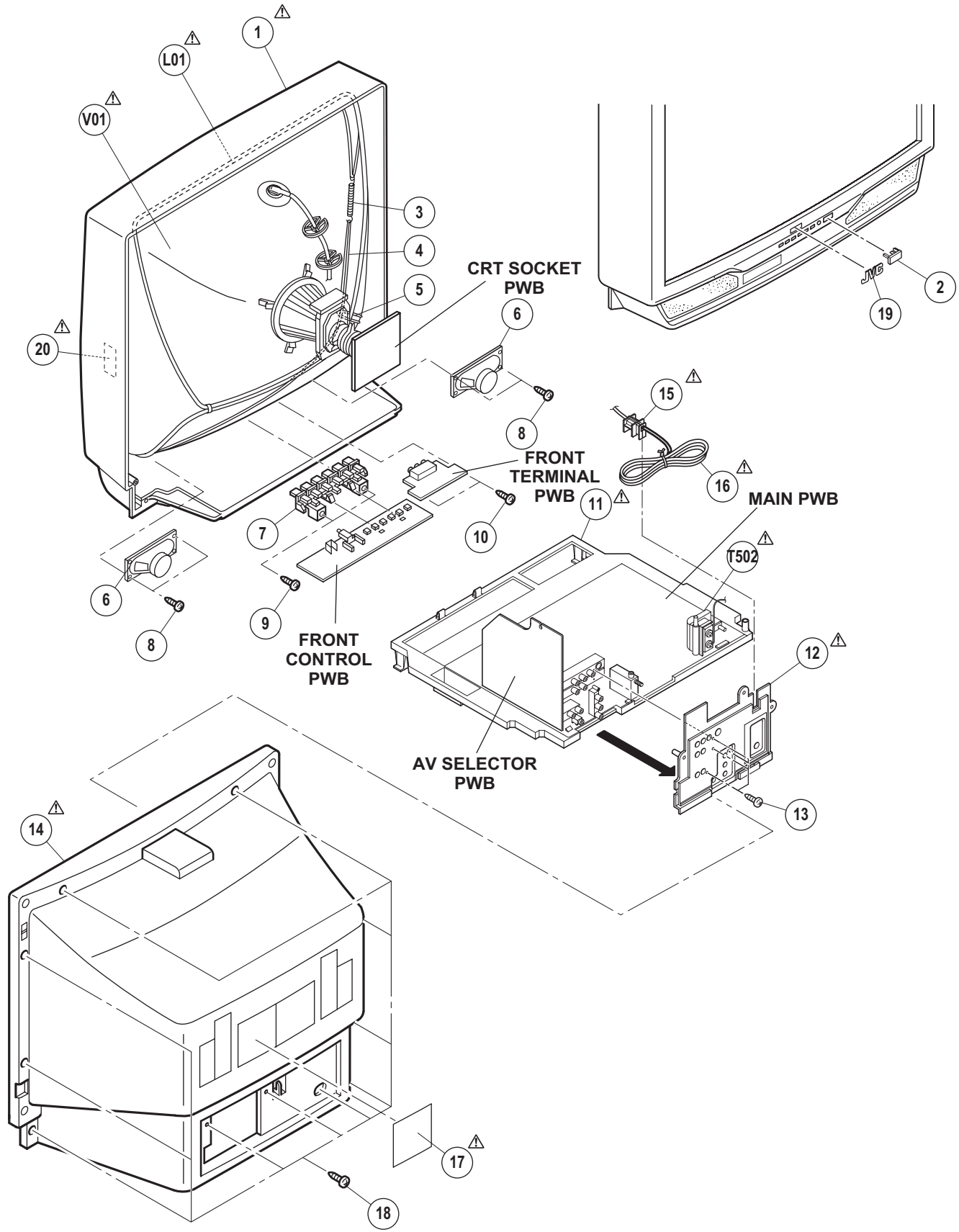
USING P.W. BOARD & REMOTE CONTROL UNIT

P.W.B ASS'Y	AV-32430/MA	AV-32430/RA	AV-32430/YA	AV-32432/MA	AV-32432/RA	AV-32432/YA
MAIN P.W.B	SGE-1064A-M2	SGE-1066A-M2	SGE-1065A-M2	SGE-1061A-M2	SGE-1063A-M2	SGE-1062A-M2
CRT SOCKET P.W.B	SGE-3061A-M2	←	SGE-3062A-M2	SGE-3061A-M2	←	SGE-3062A-M2
AV SELECTER P.W.B	SGE-5062A-M2	←	←	SGE-5061A-M2	←	←
FRONT TERMINAL P.W.B	SGE-6061A-M2	←	←	←	←	←
FRONT CONTROL P.W.B	SGE-7061A-M2	←	←	←	←	←
REMOTE CONTROL UNIT	RM-C203-1C	←	←	RM-C1255G-1H	←	←

EXPLODED VIEW PARTS LIST

△ Ref.No.	Part No.	Part Name	Description	Local
△ V01	M80JUA061X06	ITC	Inc DEF YOKE. PC MAGNET	AV-32430MA,AV-32432MA
△ V01	A80AEJ15X01	ITC	Inc DEF YOKE. PC MAGNET	AV-32430RA,AV-32432RA
△ V01	A80AKB50X04	ITC	Inc DEF YOKE. PC MAGNET	AV-32430YA,AV-32432YA
△ L01	CELD066-002JA	DEG COIL		
△ T502	QQH0121-001	FB TRANSF		
△ 1	CM12914-010-MA	FRONT CABINET		AV-32430MA,AV-32430RA,AV-32430YA
△ 1	CM12914-012-MA	FRONT CABINET		AV-32432MA,AV-32432RA,AV-32432YA
2	CM35983-001-H	REMOCON WINDOW		
3	A48457-4-S	SPRING		
4	WJY0016-002A	E-BRAIDED ASSY		
5	WJY0013-004A	BRAIDED ASSY		
6	CEBSS12D-04KJ2	SPEAKER	(x2)	AV-32430MA
6	CEBSS12D-04KJ2	SPEAKER		AV-32430RA,AV-32430YA,AV-32432MA,AV-32432RA,AV-32432YA
7	LC20674-001A-A	PUSH KNOB		AV-32430MA,AV-32430RA,AV-32430YA
7	LC20674-004A-A	PUSH KNOB		AV-32432MA,AV-32432RA,AV-32432YA
8	QYSBSB4012Z	TAP SCREW	4mm x 12mm(x4)	
9	QYSBSBG4012Z	TAP SCREW	4.0mm x 12mm(x2)	
10	QYSBSBG3010Z	TAP SCREW	M3 x 10mm(x2)	
△ 11	LC11056-001A-A	CHASSIS BASE		
△ 12	LC20899-008A-A	TERMINAL BOARD		AV-32430MA,AV-32430RA,AV-32430YA
△ 12	LC20899-006A-A	TERMINAL BOARD		AV-32432MA,AV-32432RA,AV-32432YA
13	QYSBSB3010Z	TAP SCREW	3.0mm x 10mm(x3)	
△ 14	CM12915-003-MA	REAR COVER		
△ 15	LC20106-001D-A	POWER CORD CLAM		
△ 16	QMPD390-200-JS	POWER CORD(US/CA) 2m BLACK		
△ 17	LC31139-001A-A	RATING LABEL		
18	QYSBSFG4016Z	TAP SCREW	4mm x 16mm(x11)	
19	CM48006-006-C	JVC MARK		AV-32430MA,AV-32430RA,AV-32430YA
19	CM48006-007-C	JVC MARK		AV-32432MA,AV-32432RA,AV-32432YA
△ 20	GQ30034-001B-A	WARNING LABEL		

EXPLODED VIEW



PRINTED WIRING BOARD PARTS LIST

[AV-32430/MA]

MAIN PW BOARD ASS'Y (SGE-1064A-M2)

△Ref No.	Part No.	Part Name	Description Local	△Ref No.	Part No.	Part Name	Description Local
IC101	M52342SP	IC		D931	RU30A-F1	SI DIODE	
IC201	TM8812CPDNG4N35	IC(MCU)		D933	RU3YX-LFC4	SI DIODE	
IC421	LA7841	IC		D935	RU3YX-LFC4	SI DIODE	
IC621	LA4485	IC		D941	MTZJ33A-T2	Z DIODE	
IC702	AT24C04W-32430	IC	(SERVICE)	D945	MTZJ9.1B-T2	Z DIODE	
IC703	S-80840CNY-T	IC		D952	1SS133-T2	DIODE	
IC704	AN78L05-T	IC		D953	1SS133-T2	DIODE	
IC852	AN7809F	IC		D954	1N4002G-T2	SI DIODE	
IC853	AN7805F	IC		D955	1N4002G-T2	SI DIODE	
△IC911	STR-G6624/F8	IC		D956	1N4002G-T2	SI DIODE	
△IC921	SE135N	IC		D957	1N4002G-T2	SI DIODE	
				D972	MTZJ15C-T2	Z DIODE	
				D973	1SS133-T2	DIODE	
Q001	UN2212-X	DIGI TRANSISTOR		△PC921	TLP421F/D4-GR/	PHOTO COUPLER	
Q101	2SC5083/L-P/-T	TRANSISTOR		C001	QETN1HM-475Z	E CAPACITOR	4.7uF 50V M
Q131	2SB709A/QR/-X	TRANSISTOR		C003	QETN1HM-106Z	E CAPACITOR	10uF 50V M
Q161	2SD601A/QR/-X	TRANSISTOR		C004	QETN1CM-108Z	E CAPACITOR	1000uF 16V M
Q211	2SD601A/QR/-X	TRANSISTOR		C006	QETN1EM-476Z	E CAPACITOR	47uF 25V M
Q232	2SD601A/QR/-X	TRANSISTOR		C101	NCB31HK-103X	C CAPACITOR	0.01uF 50V K
Q233	2SD601A/QR/-X	TRANSISTOR		C102	NCB31HK-103X	C CAPACITOR	0.01uF 50V K
Q352	2SD601A/QR/-X	TRANSISTOR		C104	NCB31HK-103X	C CAPACITOR	0.01uF 50V K
Q431	UN2212-X	DIGI TRANSISTOR		C105	NCB31HK-103X	C CAPACITOR	0.01uF 50V K
Q501	2SC4212/Z1/	TRANSISTOR		C106	QETN1EM-476Z	E CAPACITOR	47uF 25V M
△Q511	2SD2645-YD	TRANSISTOR	H OUT	C107	NCB31HK-103X	C CAPACITOR	0.01uF 50V K
Q531	2SC2785/JH/-T	SI TRANSISTOR		C113	NCB31HK-103X	C CAPACITOR	0.01uF 50V K
Q532	2SB709A/QR/-X	TRANSISTOR		C114	NCB31HK-103X	C CAPACITOR	0.01uF 50V K
Q541	2SB709A/QR/-X	TRANSISTOR		C116	QFVF1HJ-224Z	MF CAPACITOR	0.22uF 50V J
Q542	2SB709A/QR/-X	TRANSISTOR		C117	QETN1EM-476Z	E CAPACITOR	47uF 25V M
Q543	2SD1408/OY/-LB	POW TRANSISTOR		C118	NCB31HK-103X	C CAPACITOR	0.01uF 50V K
Q622	2SD601A/QR/-X	TRANSISTOR		C119	NDC31HJ-681X	C CAPACITOR	680pF 50V J
Q623	UN2212-X	DIGI TRANSISTOR		C120	QETN1HM-474Z	E CAPACITOR	0.47uF 50V M
Q701	2SB709A/QR/-X	TRANSISTOR		C124	NCB31HK-103X	C CAPACITOR	0.01uF 50V K
Q951	2SD1383K/AB/-X	TRANSISTOR		C131	NCB31HK-103X	C CAPACITOR	0.01uF 50V K
Q971	2SA1208/ST/Z1-T	TRANSISTOR		C161	QETN1HM-106Z	E CAPACITOR	10uF 50V M
D305	1SS133-T2	DIODE		C163	NDC31HJ-470X	C CAPACITOR	47pF 50V J
D306	1SS133-T2	DIODE		C164	NDC31HJ-470X	C CAPACITOR	47pF 50V J
D307	1SS133-T2	DIODE		C165	NCB31HK-103X	C CAPACITOR	0.01uF 50V K
D308	1SS133-T2	DIODE		C166	NCB31HK-103X	C CAPACITOR	0.01uF 50V K
D309	1SS133-T2	DIODE		C202	QETN1HM-105Z	E CAPACITOR	1uF 50V M
D310	1SS133-T2	DIODE		C203	NCB31HK-152X	C CAPACITOR	1500pF 50V K
D352	MTZJ9.1C-T2	Z DIODE		C211	QENC1CM-106Z	BP E CAPACITOR	10uF 16V M
D353	1SS133-T2	DIODE		C212	NDC31HJ-100X	C CAPACITOR	10pF 50V J
D354	MTZJ3.3A-T2	Z DIODE		C221	QETN1HM-106Z	E CAPACITOR	10uF 50V M
D421	1N4003-T2	SI DIODE		C222	QFVF1HJ-104Z	MF CAPACITOR	0.1uF 50V J
D422	MTZJ75-T2	Z DIODE		C223	NCB31HK-103X	C CAPACITOR	0.01uF 50V K
D432	1SS133-T2	DIODE		C233	NDC31HJ-680X	C CAPACITOR	68pF 50V J
D501	RH3G-F1	SI DIODE		C237	NCB31HK-103X	C CAPACITOR	0.01uF 50V K
D502	RU3AM-LFC4	SI DIODE		C241	NCB31HK-103X	C CAPACITOR	0.01uF 50V K
D521	RH1S-T3	SI DIODE		C242	QETN1HM-225Z	E CAPACITOR	2.2uF 50V M
D523	RGP10J-5025-T3	SI DIODE		C243	QETN1CM-107Z	E CAPACITOR	100uF 16V M
D525	1SS81-T5	SI DIODE		C244	NCB31HK-103X	C CAPACITOR	0.01uF 50V K
D526	1SS81-T5	SI DIODE		C281	QFVF1HJ-474Z	MF CAPACITOR	0.47uF 50V J
D527	1SR124-400A-T2	SI DIODE		C282	QETN1CM-107Z	E CAPACITOR	100uF 16V M
D529	MTZJ5.1C-T2	Z DIODE		C283	NCB31HK-103X	C CAPACITOR	0.01uF 50V K
△D531	MA4068N/Z1/-T2	Z DIODE		C284	QETN1HM-225Z	E CAPACITOR	2.2uF 50V M
D535	1SS133-T2	DIODE		C285	NCB31HK-103X	C CAPACITOR	0.01uF 50V K
D537	1SR35-400A-T2	SI DIODE		C286	QETN1HM-106Z	E CAPACITOR	10uF 50V M
D601	MTZJ9.1C-T2	Z DIODE		C287	QETN1CM-107Z	E CAPACITOR	100uF 16V M
D602	MTZJ9.1C-T2	Z DIODE		C288	NCB31HK-103X	C CAPACITOR	0.01uF 50V K
D603	MTZJ9.1C-T2	Z DIODE		C352	QETN1CM-336Z	E CAPACITOR	33uF 16V M
D700	MTZJ5.6B-T2	Z DIODE		C354	NCB31HK-103X	C CAPACITOR	0.01uF 50V K
D701	1SS133-T2	DIODE		C391	QETN1CM-107Z	E CAPACITOR	100uF 16V M
D703	MTZJ5.6B-T2	Z DIODE		C392	NCB31HK-103X	C CAPACITOR	0.01uF 50V K
D704	MTZJ5.6B-T2	Z DIODE		C422	QFN32AJ-102Z	M CAPACITOR	1000pF 100V J
D705	1SS133-T2	DIODE		C424	QETN1VM-107Z	E CAPACITOR	100uF 35V M
D706	MTZJ5.6B-T2	Z DIODE		C425	QETN1VM-477Z	E CAPACITOR	470uF 35V M
D707	MTZJ5.6B-T2	Z DIODE		C427	QETN1HM-105Z	E CAPACITOR	1uF 50V M
D708	MTZJ5.6B-T2	Z DIODE		C428	QETN1EM-228	E CAPACITOR	2200uF 25V M
D709	MTZJ5.6B-T2	Z DIODE		C431	QFLC2AK-563Z	M CAPACITOR	0.056uF 100V K
D723	MTZJ5.6B-T2	Z DIODE		C432	QETN1EM-476Z	E CAPACITOR	47uF 25V M
△D901	GSIB460-S1	BRIDGE DIODE		C433	QETN1EM-476Z	E CAPACITOR	47uF 25V M
D910	MA700A-T2	SB DIODE		C435	NCB21HK-183X	C CAPACITOR	0.018uF 50V K
D911	RGP10J-5025-T3	SI DIODE		C440	QCS32HJ-220Z	C CAPACITOR	22pF 500V J
D912	RGP10J-5025-T3	SI DIODE		C501	QCB32HK-151Z	C CAPACITOR	150pF 500V K
D913	RGP10J-5025-T3	SI DIODE		C502	QCB32HK-331Z	C CAPACITOR	330pF 500V K
D914	1SS133-T2	DIODE		C503	QEHR2CM-105Z	E CAPACITOR	1uF 160V M
D915	SARS01-T2	SI DIODE		C504	QEZ0203-107	E CAPACITOR	100uF 160V M
D917	MTZJ30A-T2	Z DIODE		C507	QEM61HK-475Z	E CAPACITOR	4.7uF 50V K
D918	MTZJ5.1C-T2	Z DIODE		C508	QEM61HK-475Z	E CAPACITOR	4.7uF 50V K
D920	1SS133-T2	DIODE		△C510	QFZ0200-53Z	MPP CAPACITOR	5300pF 1.5kV H
				△C513	QFZ0198-133	MPP CAPACITOR	0.013uF 1.5kV
				C514	QFP32GJ-183	PP CAPACITOR	0.018uF 400V J

ΔRef No.	Part No.	Part Name	Description Local	ΔRef No.	Part No.	Part Name	Description Local
R531	QRJ146J-391X	UNF C RESISTOR	390Ω 1/4W J	R952	NRSA63J-102X	MG RESISTOR	1kΩ 1/16W J
R532	NRSA63J-273X	MG RESISTOR	27kΩ 1/16W J	R953	QRE121J-820Y	C RESISTOR	82Ω 1/2W J
R533	NRSA63J-123X	MG RESISTOR	12kΩ 1/16W J	R973	QRE121J-272Y	C RESISTOR	2.7kΩ 1/2W J
R534	NRSA63J-123X	MG RESISTOR	12kΩ 1/16W J	R975	QRE121J-223Y	C RESISTOR	22kΩ 1/2W J
ΔR535	NRVA02D-222X	CMF RESISTOR	2.2kΩ 1/10W D	R977	QRE121J-473Y	C RESISTOR	47kΩ 1/2W J
ΔR537	NRVA02D-752X	CMF RESISTOR	7.5kΩ 1/10W D	R978	NRSA63J-333X	MG RESISTOR	33kΩ 1/16W J
R538	NRSA63J-333X	MG RESISTOR	33kΩ 1/16W J	R979	QRT029J-1R2	MF RESISTOR	1.2Ω 2W J
R543	QRE121J-122Y	C RESISTOR	1.2kΩ 1/2W J	R980	QRT029J-1R2	MF RESISTOR	1.2Ω 2W J
R544	QRE121J-392Y	C RESISTOR	3.9kΩ 1/2W J	ΔR998	QRZ9041-275	C RESISTOR	2.7MΩ 1/2W K
R545	QRE121J-153Y	C RESISTOR	15kΩ 1/2W J	R999	QRE121J-121Y	C RESISTOR	120Ω 1/2W J
R546	NRSA63J-331X	MG RESISTOR	330Ω 1/16W J	L001	QQL244K-560Z	COIL	56uH K
R547	NRSA63J-104X	MG RESISTOR	100kΩ 1/16W J	L101	QQL2014-R22	COIL	0.22uH 100mA L
R548	QRE121J-152Y	C RESISTOR	1.5kΩ 1/2W J	L113	QQL244K-4R7Z	COIL	4.7uH K
R553	QRL039J-100	OMF RESISTOR	10Ω 3W J	L131	QQL244K-150Z	COIL	15uH K
ΔR554	QRK126J-150X	UNF C RESISTOR	15Ω 1/2W J	L161	QQL244K-220Z	COIL	22uH K
R555	QRX029J-3R3	MF RESISTOR	3.3Ω 2W J	L232	QQL244K-560Z	COIL	56uH K
R601	NRSA63J-750X	MG RESISTOR	75Ω 1/16W J	L241	QQL244K-220Z	COIL	22uH K
R602	NRSA63J-750X	MG RESISTOR	75Ω 1/16W J	L391	QQL244K-220Z	COIL	22uH K
R603	NRSA63J-750X	MG RESISTOR	75Ω 1/16W J	L511	QQR1027-003	LINEARITY COIL	
R610	NRSA63J-0R0X	MG RESISTOR	0Ω 1/16W J	L512	QQLZ036-821	COIL	820uH K
R611	NRSA63J-0R0X	MG RESISTOR	0Ω 1/16W J	L521	QQLZ026-640	COIL	64uH ±7%
R612	NRSA63J-0R0X	MG RESISTOR	0Ω 1/16W J	L701	QQL244K-220Z	COIL	22uH K
R613	NRSA63J-0R0X	MG RESISTOR	0Ω 1/16W J	L702	QQL244K-220Z	COIL	22uH K
R621	NRSA63J-682X	MG RESISTOR	6.8kΩ 1/16W J	L704	QQL244K-220Z	COIL	22uH K
R622	NRSA63J-681X	MG RESISTOR	680Ω 1/16W J	L705	QQL244K-220Z	COIL	22uH K
R623	NRSA63J-682X	MG RESISTOR	6.8kΩ 1/16W J	L931	QQL26AK-470Z	COIL	47uH K
R624	NRSA63J-681X	MG RESISTOR	680Ω 1/16W J	L933	QQL26AK-470Z	COIL	47uH K
R626	NRSA63J-223X	MG RESISTOR	22kΩ 1/16W J	L940	QQR0582-001Z	FERRITE BEADS	
R627	NRSA63J-223X	MG RESISTOR	22kΩ 1/16W J	T111	QQR0907-001	IFT	
R631	NRSA63J-333X	MG RESISTOR	33kΩ 1/16W J	T501	CE42034-002	HOR DRIVE TRANS	
R632	NRSA63J-223X	MG RESISTOR	22kΩ 1/16W J	ΔT502	QQH0121-001	FB TRANSF	
R638	NRSA63J-0R0X	MG RESISTOR	0Ω 1/16W J	ΔT921	QQS0138-001	SW TRANSF	
R639	NRSA63J-0R0X	MG RESISTOR	0Ω 1/16W J	ΔT951	QQT0372-001	POWER TRANSF	
R651	NRSA63J-0R0X	MG RESISTOR	0Ω 1/16W J	CF001	QAX0349-001	C TRAP	47.25MHz
R652	NRSA63J-0R0X	MG RESISTOR	0Ω 1/16W J	CF131	QAX0639-001Z	C TRAP	4.500MHz
R653	NRSA63J-0R0X	MG RESISTOR	0Ω 1/16W J	CF161	QAX0642-001Z	C FILTER	4.500MHz
R700	NRSA63J-102X	MG RESISTOR	1kΩ 1/16W J	CN001	QGB1505J1-35	CONNECTOR	B-B (1-35)
R701	NRSA63J-103X	MG RESISTOR	10kΩ 1/16W J	CN004	QGA2501C5-05Z	CONNECTOR	W-B (1-5)
R702	NRSA63J-102X	MG RESISTOR	1kΩ 1/16W J	CN005	QGA2501C5-04Z	CONNECTOR	W-B (1-4)
R704	NRSA63J-472X	MG RESISTOR	4.7kΩ 1/16W J	CN007	QGA2501C5-06Z	CONNECTOR	W-B (1-6)
R705	NRSA63J-472X	MG RESISTOR	4.7kΩ 1/16W J	CN00C	QGA2501F1-06	CONNECTOR	W-B (1-6)
R706	NRSA63J-472X	MG RESISTOR	4.7kΩ 1/16W J	CN0B1	QGA2501C5-03Z	CONNECTOR	W-B (1-3)
R707	NRSA63J-103X	MG RESISTOR	10kΩ 1/16W J	CN0E1	CE41507-001P	LV CONNECTOR	
R708	NRSA63J-101X	MG RESISTOR	100Ω 1/16W J	CN0HV	QGZ5004C1-06	CONNECTOR	(1-6)
R709	NRSA63J-101X	MG RESISTOR	100Ω 1/16W J	CN0S1	QGA2501C5-03Z	CONNECTOR	W-B (1-3)
R715	NRSA63J-103X	MG RESISTOR	10kΩ 1/16W J	CN0SS	QGA2501C5-04Z	CONNECTOR	W-B (1-4)
R718	NRSA63J-223X	MG RESISTOR	22kΩ 1/16W J	ΔCP932	ICP-N70-T	IC PROTECTOR	2.5A
R721	NRSA63J-102X	MG RESISTOR	1kΩ 1/16W J	ΔCP936	ICP-N70-T	IC PROTECTOR	2.5A
R728	NRSA63J-102X	MG RESISTOR	1kΩ 1/16W J	ΔF901	QMF0007-5R0J1	FUSE	5A
R729	NRSA63J-223X	MG RESISTOR	22kΩ 1/16W J	ΔF905	QMFZ049-5R0Z-E	FUSE	5A 125V
R731	NRSA63J-101X	MG RESISTOR	100Ω 1/16W J	FC901	CEMG002-001Z	FUSE CLIP	
R732	NRSA63J-101X	MG RESISTOR	100Ω 1/16W J	FC902	CEMG002-001Z	FUSE CLIP	
R733	NRSA63J-472X	MG RESISTOR	4.7kΩ 1/16W J	ΔFR525	QRZ9017-4R7	FUSI RESISTOR	4.7Ω 1/4W J
R734	NRSA63J-472X	MG RESISTOR	4.7kΩ 1/16W J	ΔFR527	QRZ9011-470	FUSI RESISTOR	47Ω 1/2W J
R739	NRSA63J-0R0X	MG RESISTOR	0Ω 1/16W J	HS001	CEHE011-001WU	HEAT SINK	
R740	NRSA63J-103X	MG RESISTOR	10kΩ 1/16W J	HS002	LC31678-001A	HEAT SINK/AL-F/	
R764	NRSA63J-221X	MG RESISTOR	220Ω 1/16W J	HS003	LC31677-001A	HEAT SINK/AL-F/	
R765	NRSA63J-221X	MG RESISTOR	220Ω 1/16W J	HS004	CEHE015-001WU	HEAT SINK	
R766	NRSA63J-221X	MG RESISTOR	220Ω 1/16W J	HS005	CM42862-00G-H	HEAT SINK ASSY	
R767	NRSA63J-221X	MG RESISTOR	220Ω 1/16W J	HS007	CEHT11B-002QS	HEAT SINK	
R769	NRSA63J-682X	MG RESISTOR	6.8kΩ 1/16W J	J601	QNN0349-002	PIN JACK	COMP IN
R772	NRSA63J-103X	MG RESISTOR	10kΩ 1/16W J	K401	QQR0621-002Z	FERRITE BEADS	
R811	NRSA63J-473X	MG RESISTOR	47kΩ 1/16W J	K912	QQR0582-001Z	FERRITE BEADS	
R816	NRSA63J-124X	MG RESISTOR	120kΩ 1/16W J	K916	QQR0582-001Z	FERRITE BEADS	
R821	NRSA63J-184X	MG RESISTOR	180kΩ 1/16W J	K917	QQR0582-001Z	FERRITE BEADS	
R822	NRSA63J-0R0X	MG RESISTOR	0Ω 1/16W J	K918	QQR0582-001Z	FERRITE BEADS	
R827	NRSA63J-102X	MG RESISTOR	1kΩ 1/16W J	K931	QQR0582-001Z	FERRITE BEADS	
R855	QRG039J-100	OMF RESISTOR	10Ω 3W J	K932	QQR0582-001Z	FERRITE BEADS	
R857	QRL029J-470	OMF RESISTOR	47Ω 2W J	K933	QQR0621-002Z	FERRITE BEADS	
R858	QRL029J-820	OMF RESISTOR	82Ω 2W J	K935	QQR0582-001Z	FERRITE BEADS	
R901	QRF074K-R47	UNF VVW RESISTOR	0.47Ω 7W K	LC601	QQR1199-001	EMI FILTER	
R909	QRG01GJ-470	OMF RESISTOR	47Ω 1W J	LC602	QQR1199-001	EMI FILTER	
R911	QRE121J-223Y	C RESISTOR	22kΩ 1/2W J	LC603	QQR1199-001	EMI FILTER	
R912	QRT029J-R22	MF RESISTOR	0.22Ω 2W J	LC603	QQR1199-001	EMI FILTER	
R913	QRT029J-R22	MF RESISTOR	0.22Ω 2W J	ΔLF901	QQR1085-003	LINE FILTER	
ΔR914	QRK126J-681X	UNF C RESISTOR	680Ω 1/2W J	ΔRY951	QSK0086-001	RELAY	
ΔR915	QRK129J-6R8	UNF C RESISTOR	6.8Ω 1/2W J	S421	QSL4A13-C02	LEVER SWITCH	V CENTER
ΔR917	QRK126J-332X	UNF C RESISTOR	3.3kΩ 1/2W J	SF101	QAX0723-001	SAW FILTER	
R918	QRE121J-222Y	C RESISTOR	2.2kΩ 1/2W J	ΔTH901	QAD0132-3R0	P THERMISTOR	3Ω
R919	QRE121J-684Y	C RESISTOR	680kΩ 1/2W J	ΔTU001	QAU0305-001	TUNER	
R924	QRE121J-222Y	C RESISTOR	2.2kΩ 1/2W J	ΔVA901	ERZV10V621CS	ZNR	
R930	QRE121J-223Y	C RESISTOR	22kΩ 1/2W J	W1	NRSA63J-0R0X	MG RESISTOR	0Ω 1/16W J
R939	QRT039J-2R2	MF RESISTOR	2.2Ω 3W J	W2	NRSA63J-0R0X	MG RESISTOR	0Ω 1/16W J
R940	QRE121J-181Y	C RESISTOR	180Ω 1/2W J	W3	NRSA63J-0R0X	MG RESISTOR	0Ω 1/16W J
R941	QRL029J-183	OMF RESISTOR	18kΩ 2W J	W4	NRSA63J-0R0X	MG RESISTOR	0Ω 1/16W J
R950	NRSA63J-0R0X	MG RESISTOR	0Ω 1/16W J	W5	NRSA63J-0R0X	MG RESISTOR	0Ω 1/16W J
R951	NRSA63J-473X	MG RESISTOR	47kΩ 1/16W J				

△Ref No.	Part No.	Part Name	Description Local
W6	NRSA63J-0R0X	MG RESISTOR	0Ω 1/16W J
W7	NRSA63J-0R0X	MG RESISTOR	0Ω 1/16W J
W8	NRSA63J-0R0X	MG RESISTOR	0Ω 1/16W J
W9	NRSA63J-0R0X	MG RESISTOR	0Ω 1/16W J
W10	NRSA63J-0R0X	MG RESISTOR	0Ω 1/16W J
W11	NRSA63J-0R0X	MG RESISTOR	0Ω 1/16W J
W12	NRSA63J-0R0X	MG RESISTOR	0Ω 1/16W J
W13	NRSA63J-0R0X	MG RESISTOR	0Ω 1/16W J
W14	NRSA63J-0R0X	MG RESISTOR	0Ω 1/16W J
W15	NRSA63J-0R0X	MG RESISTOR	0Ω 1/16W J
W16	NRSA63J-0R0X	MG RESISTOR	0Ω 1/16W J
W17	NRSA63J-0R0X	MG RESISTOR	0Ω 1/16W J
W18	NRSA63J-0R0X	MG RESISTOR	0Ω 1/16W J
W19	NRSA63J-0R0X	MG RESISTOR	0Ω 1/16W J
W20	NRSA63J-0R0X	MG RESISTOR	0Ω 1/16W J
W21	NRSA63J-0R0X	MG RESISTOR	0Ω 1/16W J
W22	NRSA63J-0R0X	MG RESISTOR	0Ω 1/16W J
W23	NRSA63J-0R0X	MG RESISTOR	0Ω 1/16W J
W24	NRSA63J-0R0X	MG RESISTOR	0Ω 1/16W J
W25	NRSA63J-0R0X	MG RESISTOR	0Ω 1/16W J
W26	NRSA63J-0R0X	MG RESISTOR	0Ω 1/16W J
W27	NRSA63J-0R0X	MG RESISTOR	0Ω 1/16W J
W28	NRSA63J-0R0X	MG RESISTOR	0Ω 1/16W J
X701	QAX0717-001Z	CRYSTAL	8.000MHz
Y402	NRSA63J-0R0X	MG RESISTOR	0Ω 1/16W J
Y405	NRSA63J-0R0X	MG RESISTOR	0Ω 1/16W J
Y411	NRSA63J-0R0X	MG RESISTOR	0Ω 1/16W J
Y414	NRSA63J-0R0X	MG RESISTOR	0Ω 1/16W J
Y701	QRE141J-0R0Y	C RESISTOR	0Ω 1/4W J

CRT SOCKET PW BOARD ASS'Y (SGE-3061A-M2)

△Ref No.	Part No.	Part Name	Description Local
Q3351	2SC4544-LB	POW TRANSISTOR	
Q3352	2SC4544-LB	POW TRANSISTOR	
Q3353	2SC4544-LB	POW TRANSISTOR	
Q3391	2SA933AS/QR-T	TRANSISTOR	
D3389	MTZJ5.1A-T2	Z DIODE	
D3390	1SS133-T2	DIODE	
D3391	1SS133-T2	DIODE	
D3393	1SS133-T2	DIODE	
D3394	1SS133-T2	DIODE	
D3395	1SS133-T2	DIODE	
C3354	NDC31HJ-331X	C CAPACITOR	330pF 50V J
C3355	NDC31HJ-331X	C CAPACITOR	330pF 50V J
C3356	NDC31HJ-391X	C CAPACITOR	390pF 50V J
C3357	QETN1CM-107Z	E CAPACITOR	100uF 16V M
C3382	QCZ0121-102	C CAPACITOR	1000pF 3KV
C3391	QETN1AM-227Z	E CAPACITOR	220uF 10V M
C3392	NDC31HJ-101X	C CAPACITOR	100pF 50V J
R3354	NRSA63J-181X	MG RESISTOR	180Ω 1/16W J
R3355	NRSA63J-181X	MG RESISTOR	180Ω 1/16W J
R3356	NRSA63J-181X	MG RESISTOR	180Ω 1/16W J
R3357	NRSA63J-101X	MG RESISTOR	100Ω 1/16W J
R3358	NRSA63J-101X	MG RESISTOR	100Ω 1/16W J
R3359	NRSA63J-101X	MG RESISTOR	100Ω 1/16W J
R3360	QRZ0111-152	C RESISTOR	1.5kΩ 1/2W K
R3361	QRZ0111-152	C RESISTOR	1.5kΩ 1/2W K
R3362	QRZ0111-152	C RESISTOR	1.5kΩ 1/2W K
R3363	QRG029J-103	OMF RESISTOR	10kΩ 2W J
R3364	QRG029J-103	OMF RESISTOR	10kΩ 2W J
R3365	QRG029J-103	OMF RESISTOR	10kΩ 2W J
R3366	NRSA63J-222X	MG RESISTOR	2.2kΩ 1/16W J
R3367	NRSA63J-222X	MG RESISTOR	2.2kΩ 1/16W J
R3368	NRSA63J-222X	MG RESISTOR	2.2kΩ 1/16W J
R3372	NRSA63J-221X	MG RESISTOR	220Ω 1/16W J
R3373	NRSA63J-221X	MG RESISTOR	220Ω 1/16W J
R3374	NRSA63J-221X	MG RESISTOR	220Ω 1/16W J
R3375	NRSA63J-0R0X	MG RESISTOR	0Ω 1/16W J
R3376	NRSA63J-0R0X	MG RESISTOR	0Ω 1/16W J
R3377	NRSA63J-0R0X	MG RESISTOR	0Ω 1/16W J
R3381	QRE121J-394Y	C RESISTOR	390kΩ 1/2W J
R3391	NRSA63J-152X	MG RESISTOR	1.5kΩ 1/16W J
R3392	NRSA63J-392X	MG RESISTOR	3.9kΩ 1/16W J
R3393	NRSA63J-102X	MG RESISTOR	1kΩ 1/16W J
R3394	NRSA63J-102X	MG RESISTOR	1kΩ 1/16W J
R3395	NRSA63J-102X	MG RESISTOR	1kΩ 1/16W J
L3381	QQL244K-101Z	PEAKING COIL	100uH K

△Ref No.	Part No.	Part Name	Description Local
△SK3351	QNZ0537-001	CRT SOCKET	
W3001	NRSA02J-0R0X	MG RESISTOR	0Ω 1/10W J

AV SELECTER PW BOARD ASS'Y (SGE-5062A-M2)

△Ref No.	Part No.	Part Name	Description Local
IC5001	CXA2134Q-X	IC	
IC5201	TC90A49P	IC	
IC5501	TA1218AN	IC	
Q5001	2SB709A/QR/-X	TRANSISTOR	
Q5002	2SB709A/QR/-X	TRANSISTOR	
Q5211	2SD601A/QR/-X	TRANSISTOR	
Q5212	2SD601A/QR/-X	TRANSISTOR	
Q5251	2SD601A/QR/-X	TRANSISTOR	
Q5252	2SB709A/QR/-X	TRANSISTOR	
Q5253	2SB709A/QR/-X	TRANSISTOR	
Q5261	2SB709A/QR/-X	TRANSISTOR	
Q5262	2SD601A/QR/-X	TRANSISTOR	
Q5263	2SB709A/QR/-X	TRANSISTOR	
Q5384	DTC323TK-X	DIGI TRANSISTOR	
Q5385	DTC323TK-X	DIGI TRANSISTOR	
Q5386	DTC323TK-X	DIGI TRANSISTOR	
Q5387	DTC323TK-X	DIGI TRANSISTOR	
Q5501	2SB709A/QR/-X	TRANSISTOR	
D5391	MTZJ9.1C-T2	Z DIODE	
D5392	MTZJ9.1C-T2	Z DIODE	
D5501	MTZJ9.1C-T2	Z DIODE	
D5502	MTZJ9.1C-T2	Z DIODE	
D5503	MTZJ9.1C-T2	Z DIODE	
D5504	MTZJ9.1C-T2	Z DIODE	
D5505	MTZJ9.1C-T2	Z DIODE	
D5507	MTZJ9.1C-T2	Z DIODE	
D5508	MTZJ9.1C-T2	Z DIODE	
D5509	MTZJ9.1C-T2	Z DIODE	
D5510	MTZJ9.1C-T2	Z DIODE	
D5511	MTZJ9.1C-T2	Z DIODE	
D5512	MTZJ9.1C-T2	Z DIODE	
D5513	MTZJ9.1C-T2	Z DIODE	
C5001	QENC1HM-475Z	BP E CAPACITOR	4.7uF 50V M
C5002	NCB31HK-562X	C CAPACITOR	5600pF 50V K
C5003	NCB31HK-123X	C CAPACITOR	0.012uF 50V K
C5004	QETN1HM-105Z	E CAPACITOR	1uF 50V M
C5005	QETN1HM-475Z	E CAPACITOR	4.7uF 50V M
C5006	QETN1HM-106Z	E CAPACITOR	10uF 50V M
C5007	QETN1HM-475Z	E CAPACITOR	4.7uF 50V M
C5008	QETN1CM-107Z	E CAPACITOR	100uF 16V M
C5009	QENC1HM-475Z	BP E CAPACITOR	4.7uF 50V M
C5010	QETN1HM-475Z	E CAPACITOR	4.7uF 50V M
C5011	QENC1HM-475Z	BP E CAPACITOR	4.7uF 50V M
C5012	NCB31HK-272X	C CAPACITOR	2700pF 50V K
C5013	NCB31HK-473X	C CAPACITOR	0.047uF 50V K
C5014	QENC1HM-475Z	BP E CAPACITOR	4.7uF 50V M
C5015	QETN1HM-106Z	E CAPACITOR	10uF 50V M
C5016	QETN1HM-105Z	E CAPACITOR	1uF 50V M
C5017	QENC1HM-105Z	BP E CAPACITOR	1uF 50V M
C5018	QENC1HM-105Z	BP E CAPACITOR	1uF 50V M
C5019	NCB31HK-223X	C CAPACITOR	0.022uF 50V K
C5020	NCB31HK-472X	C CAPACITOR	4700pF 50V K
C5021	QENC1HM-475Z	BP E CAPACITOR	4.7uF 50V M
C5022	NCB31EK-104X	C CAPACITOR	0.1uF 25V K
C5023	NCB31HK-472X	C CAPACITOR	4700pF 50V K
C5024	QENC1HM-475Z	BP E CAPACITOR	4.7uF 50V M
C5025	NCB31EK-104X	C CAPACITOR	0.1uF 25V K
C5026	QETN1HM-335Z	E CAPACITOR	3.3uF 50V M
C5031	QETN1HM-106Z	E CAPACITOR	10uF 50V M
C5203	QETN1EM-476Z	E CAPACITOR	47uF 25V M
C5204	NCB31HK-103X	C CAPACITOR	0.01uF 50V K
C5205	QETN1EM-476Z	E CAPACITOR	47uF 25V M
C5206	NCB31HK-103X	C CAPACITOR	0.01uF 50V K
C5211	QENC1CM-106Z	BP E CAPACITOR	10uF 16V M
C5212	NDC31HJ-101X	C CAPACITOR	100pF 50V J
C5213	NDC31HJ-470X	C CAPACITOR	47pF 50V J
C5214	NDC31HJ-181X	C CAPACITOR	180pF 50V J
C5215	QETN1HM-474Z	E CAPACITOR	0.47uF 50V M
C5226	NCB31HK-103X	C CAPACITOR	0.01uF 50V K
C5231	QETN1CM-107Z	E CAPACITOR	100uF 16V M
C5232	NCB31HK-103X	C CAPACITOR	0.01uF 50V K
C5233	NCB31HK-103X	C CAPACITOR	0.01uF 50V K
C5234	NCB31HK-103X	C CAPACITOR	0.01uF 50V K
C5235	NCB31HK-103X	C CAPACITOR	0.01uF 50V K

△Ref No.	Part No.	Part Name	Description Local	△Ref No.	Part No.	Part Name	Description Local
C5236	QETN1CM-107Z	E CAPACITOR	100uF 16V M	R5510	NRSA63J-221X	MG RESISTOR	220Ω 1/16W J
C5237	NCB31HK-103X	C CAPACITOR	0.01uF 50V K	R5511	NRSA63J-221X	MG RESISTOR	220Ω 1/16W J
C5238	QETN1CM-107Z	E CAPACITOR	100uF 16V M	R5512	NRSA63J-221X	MG RESISTOR	220Ω 1/16W J
C5239	NCB31HK-103X	C CAPACITOR	0.01uF 50V K	R5513	NRSA63J-153X	MG RESISTOR	15kΩ 1/16W J
C5240	NCB31HK-103X	C CAPACITOR	0.01uF 50V K	R5514	NRSA63J-103X	MG RESISTOR	10kΩ 1/16W J
C5241	NCB31HK-103X	C CAPACITOR	0.01uF 50V K	R5515	NRSA63J-103X	MG RESISTOR	10kΩ 1/16W J
C5242	QETN1CM-107Z	E CAPACITOR	100uF 16V M	R5516	NRSA63J-103X	MG RESISTOR	10kΩ 1/16W J
C5243	NCB31HK-103X	C CAPACITOR	0.01uF 50V K	R5517	NRSA63J-103X	MG RESISTOR	10kΩ 1/16W J
C5246	NDC31HJ-181X	C CAPACITOR	180pF 50V J	R5519	NRSA63J-750X	MG RESISTOR	75Ω 1/16W J
C5247	NCB31HK-103X	C CAPACITOR	0.01uF 50V K	R5520	NRSA63J-750X	MG RESISTOR	75Ω 1/16W J
C5251	QETN1EM-476Z	E CAPACITOR	47uF 25V M	R5521	NRSA63J-750X	MG RESISTOR	75Ω 1/16W J
C5252	NCB31HK-103X	C CAPACITOR	0.01uF 50V K	R5522	NRSA63J-224X	MG RESISTOR	220kΩ 1/16W J
C5253	NDC31HJ-820X	C CAPACITOR	82pF 50V J	R5523	NRSA63J-224X	MG RESISTOR	220kΩ 1/16W J
C5255	NDC31HJ-470X	C CAPACITOR	47pF 50V J	R5524	NRSA63J-103X	MG RESISTOR	10kΩ 1/16W J
C5263	NDC31HJ-470X	C CAPACITOR	47pF 50V J	R5526	NRSA63J-103X	MG RESISTOR	10kΩ 1/16W J
C5391	QETN1HM-474Z	E CAPACITOR	0.47uF 50V M	R5527	NRSA63J-750X	MG RESISTOR	75Ω 1/16W J
C5392	QETN1HM-474Z	E CAPACITOR	0.47uF 50V M	R5532	NRSA63J-224X	MG RESISTOR	220kΩ 1/16W J
C5501	QETN1HM-225Z	E CAPACITOR	2.2uF 50V M	R5533	NRSA63J-224X	MG RESISTOR	220kΩ 1/16W J
C5502	QETN1HM-225Z	E CAPACITOR	2.2uF 50V M	R5541	NRSA63J-221X	MG RESISTOR	220Ω 1/16W J
C5503	QETN1HM-106Z	E CAPACITOR	10uF 50V M	R5542	NRSA63J-221X	MG RESISTOR	220Ω 1/16W J
C5504	QENC1CM-106Z	BP E CAPACITOR	10uF 16V M	R5543	NRSA63J-221X	MG RESISTOR	220Ω 1/16W J
C5506	QETN1HM-106Z	E CAPACITOR	10uF 50V M	R5544	NRSA63J-331X	MG RESISTOR	330Ω 1/16W J
C5508	QETN1HM-106Z	E CAPACITOR	10uF 50V M	R5545	NRSA63J-331X	MG RESISTOR	330Ω 1/16W J
C5509	NCB31HK-103X	C CAPACITOR	0.01uF 50V K	R5546	NRSA63J-103X	MG RESISTOR	10kΩ 1/16W J
C5520	QETN1HM-225Z	E CAPACITOR	2.2uF 50V M	R5558	NRSA63J-0R0X	MG RESISTOR	0Ω 1/16W J
C5521	QETN1HM-225Z	E CAPACITOR	2.2uF 50V M	R5559	NRSA63J-0R0X	MG RESISTOR	0Ω 1/16W J
C5531	NCB31HK-103X	C CAPACITOR	0.01uF 50V K	R5560	NRSA63J-0R0X	MG RESISTOR	0Ω 1/16W J
C5532	QETN1EM-476Z	E CAPACITOR	47uF 25V M	R5561	NRSA63J-0R0X	MG RESISTOR	0Ω 1/16W J
C5533	NCB31HK-103X	C CAPACITOR	0.01uF 50V K	R5564	NRSA63J-0R0X	MG RESISTOR	0Ω 1/16W J
C5534	QENC1CM-106Z	BP E CAPACITOR	10uF 16V M	R5565	NRSA63J-0R0X	MG RESISTOR	0Ω 1/16W J
R5001	NRSA63J-105X	MG RESISTOR	1MΩ 1/16W J	L5202	QLL244K-150Z	COIL	15uH K
R5002	NRSA63J-104X	MG RESISTOR	100kΩ 1/16W J	L5211	QLL244K-4R7Z	COIL	4.7uH K
R5003	NRSA63J-682X	MG RESISTOR	6.8kΩ 1/16W J	L5241	QLL244K-4R7Z	COIL	4.7uH K
R5004	NRSA63J-682X	MG RESISTOR	6.8kΩ 1/16W J	L5243	QLL244K-4R7Z	COIL	4.7uH K
R5005	NRSA63F-623X	MG RESISTOR	62kΩ 1/16W F	L5244	QLL244K-4R7Z	COIL	4.7uH K
R5007	NRSA63J-332X	MG RESISTOR	3.3kΩ 1/16W J	L5261	QLL244K-150Z	COIL	15uH K
R5008	NRSA63J-302X	MG RESISTOR	3kΩ 1/16W J				
R5010	NRSA63J-392X	MG RESISTOR	3.9kΩ 1/16W J	CN5001	QGB1505K1-35	CONNECTOR	B-B (1-35)
R5011	NRSA63J-221X	MG RESISTOR	220Ω 1/16W J	CN5006	QGA2501C5-05Z	CONNECTOR	W-B (1-5)
R5012	NRSA63J-221X	MG RESISTOR	220Ω 1/16W J	J5501	QNZ0454-001	AV JACK	S/V/L/R IN
R5031	NRSA63J-101X	MG RESISTOR	100Ω 1/16W J	J5502	QNN0349-001	PIN JACK	V/L/R IN
R5032	NRSA63J-101X	MG RESISTOR	100Ω 1/16W J	J5503	QNN0348-001	PIN JACK	L/R OUT
R5033	NRSA63J-272X	MG RESISTOR	2.7kΩ 1/16W J	W5001	NRSA63J-0R0X	MG RESISTOR	0Ω 1/16W J
R5034	NRSA63J-272X	MG RESISTOR	2.7kΩ 1/16W J	W5002	NRSA63J-0R0X	MG RESISTOR	0Ω 1/16W J
R5210	NRSA63J-0R0X	MG RESISTOR	0Ω 1/16W J	W5003	NRSA63J-0R0X	MG RESISTOR	0Ω 1/16W J
R5211	NRSA63J-332X	MG RESISTOR	3.3kΩ 1/16W J	W5004	NRSA63J-0R0X	MG RESISTOR	0Ω 1/16W J
R5212	NRSA63J-103X	MG RESISTOR	10kΩ 1/16W J	W5005	NRSA63J-0R0X	MG RESISTOR	0Ω 1/16W J
R5213	NRSA63J-102X	MG RESISTOR	1kΩ 1/16W J	W5006	NRSA63J-0R0X	MG RESISTOR	0Ω 1/16W J
R5214	NRSA63J-181X	MG RESISTOR	180Ω 1/16W J	W5007	NRSA63J-0R0X	MG RESISTOR	0Ω 1/16W J
R5215	NRSA63J-152X	MG RESISTOR	1.5kΩ 1/16W J	W5008	NRSA63J-0R0X	MG RESISTOR	0Ω 1/16W J
R5216	NRSA63J-182X	MG RESISTOR	1.8kΩ 1/16W J	Y5201	NRSA63J-0R0X	MG RESISTOR	0Ω 1/16W J
R5217	NRSA63J-222X	MG RESISTOR	2.2kΩ 1/16W J	Y5202	NRSA63J-0R0X	MG RESISTOR	0Ω 1/16W J
R5240	NRSA63J-0R0X	MG RESISTOR	0Ω 1/16W J				
R5241	NRSA63J-821X	MG RESISTOR	820Ω 1/16W J				
R5242	NRSA63J-101X	MG RESISTOR	100Ω 1/16W J				
R5243	NRSA63J-101X	MG RESISTOR	100Ω 1/16W J				
R5251	NRSA63J-471X	MG RESISTOR	470Ω 1/16W J				
R5253	NRSA63J-102X	MG RESISTOR	1kΩ 1/16W J				
R5254	NRSA63J-102X	MG RESISTOR	1kΩ 1/16W J				
R5255	NRSA63J-681X	MG RESISTOR	680Ω 1/16W J				
R5258	NRSA63J-101X	MG RESISTOR	100Ω 1/16W J				
R5259	NRSA63J-222X	MG RESISTOR	2.2kΩ 1/16W J				
R5261	NRSA63J-101X	MG RESISTOR	100Ω 1/16W J				
R5262	NRSA63J-222X	MG RESISTOR	2.2kΩ 1/16W J				
R5263	NRSA63J-471X	MG RESISTOR	470Ω 1/16W J				
R5265	NRSA63J-102X	MG RESISTOR	1kΩ 1/16W J				
R5269	NRSA63J-681X	MG RESISTOR	680Ω 1/16W J				
R5270	NRSA63J-102X	MG RESISTOR	1kΩ 1/16W J				
R5384	NRSA63J-223X	MG RESISTOR	22kΩ 1/16W J				
R5385	NRSA63J-223X	MG RESISTOR	22kΩ 1/16W J				
R5386	NRSA63J-223X	MG RESISTOR	22kΩ 1/16W J	CN6006	QJB003-054610	SIN ID C-B WIRE	
R5387	NRSA63J-223X	MG RESISTOR	22kΩ 1/16W J	J6401	QNN0417-001	PIN JACK	V/L/R IN
R5391	NRSA63J-221X	MG RESISTOR	220Ω 1/16W J	LC6401	QQR1199-001	EMI FILTER	
R5392	NRSA63J-221X	MG RESISTOR	220Ω 1/16W J	Y6001	NRSA63J-0R0X	MG RESISTOR	0Ω 1/16W J
R5393	NRSA63J-823X	MG RESISTOR	82kΩ 1/16W J				
R5394	NRSA63J-823X	MG RESISTOR	82kΩ 1/16W J				
R5395	NRSA63J-221X	MG RESISTOR	220Ω 1/16W J				
R5396	NRSA63J-221X	MG RESISTOR	220Ω 1/16W J				
R5501	NRSA63J-221X	MG RESISTOR	220Ω 1/16W J				
R5502	NRSA63J-221X	MG RESISTOR	220Ω 1/16W J				
R5503	NRSA63J-221X	MG RESISTOR	220Ω 1/16W J				
R5504	NRSA63J-221X	MG RESISTOR	220Ω 1/16W J				
R5505	NRSA63J-221X	MG RESISTOR	220Ω 1/16W J				
R5507	NRSA63J-103X	MG RESISTOR	10kΩ 1/16W J				
R5508	NRSA63J-153X	MG RESISTOR	15kΩ 1/16W J				
R5509	NRSA63J-221X	MG RESISTOR	220Ω 1/16W J				

FRONT TERMINAL PW BOARD ASS'Y (SGE-6061A-M2)

△Ref No.	Part No.	Part Name	Description Local
C6401	QETN1HM-106Z	E CAPACITOR	10uF 50V M
C6402	QETN1HM-225Z	E CAPACITOR	2.2uF 50V M
C6403	QETN1HM-225Z	E CAPACITOR	2.2uF 50V M
R6401	NRSA63J-750X	MG RESISTOR	75Ω 1/16W J
R6402	NRSA63J-224X	MG RESISTOR	220kΩ 1/16W J
R6403	NRSA63J-224X	MG RESISTOR	220kΩ 1/16W J
CN6006	QJB003-054610	SIN ID C-B WIRE	
J6401	QNN0417-001	PIN JACK	V/L/R IN
LC6401	QQR1199-001	EMI FILTER	
Y6001	NRSA63J-0R0X	MG RESISTOR	0Ω 1/16W J

FRONT CONTROL PW BOARD ASS'Y (SGE-7061A-M2)

△Ref No.	Part No.	Part Name	Description Local
IC7701	GP1UM281QK	IR DETECT UNIT	38kHz

△Ref No.	Part No.	Part Name	Description Local
Q7702	UN2112-X	TRANSISTOR	
D7701	LG22440	LED	POWER
C7701	QETN1EM-476Z	E CAPACITOR	47uF 25V M
R7702	NRSA63J-102X	MG RESISTOR	1kΩ 1/16W J
R7703	NRSA63J-102X	MG RESISTOR	1kΩ 1/16W J
R7704	NRSA63J-152X	MG RESISTOR	1.5kΩ 1/16W J
R7705	NRSA63J-272X	MG RESISTOR	2.7kΩ 1/16W J
R7706	NRSA63J-562X	MG RESISTOR	5.6kΩ 1/16W J
R7708	NRSA63J-152X	MG RESISTOR	1.5kΩ 1/16W J
R7709	NRSA63J-561X	MG RESISTOR	560Ω 1/16W J
R7710	NRSA63J-101X	MG RESISTOR	100Ω 1/16W J
R7711	NRSA63J-101X	MG RESISTOR	100Ω 1/16W J
CN7007	QJB003-064826	SIN ID C-B WIRE	
S7701	QSW0707-001Z	TACT SWITCH	POWER
S7702	QSW0707-001Z	TACT SWITCH	MENU
S7703	QSW0707-001Z	TACT SWITCH	CH-
S7704	QSW0707-001Z	TACT SWITCH	CH+
S7705	QSW0707-001Z	TACT SWITCH	VOL-
S7706	QSW0707-001Z	TACT SWITCH	VOL+

[AV-32430/RA]
MAIN PW BOARD ASS'Y (SGE-1066A-M2)

△Ref No.	Part No.	Part Name	Description Local
IC101	M52342SP	IC	
IC201	TM8812CPDNG4N35	IC(MCU)	
IC421	LA7841	IC	
IC621	LA4485	IC	
IC702	AT24C04W-32430	IC	(SERVICE)
IC703	S-80840CNY-T	IC	
IC704	AN78L05-T	IC	
IC852	AN7809F	IC	
IC853	AN7805F	IC	
△IC911	STR-G6624/F8	IC	
△IC921	SE135N	IC	
Q001	UN2212-X	DIGI TRANSISTOR	
Q101	2SC5083/L-P/-T	TRANSISTOR	
Q131	2SB709A/QR/-X	TRANSISTOR	
Q161	2SD601A/QR/-X	TRANSISTOR	
Q211	2SD601A/QR/-X	TRANSISTOR	
Q232	2SD601A/QR/-X	TRANSISTOR	
Q233	2SD601A/QR/-X	TRANSISTOR	
Q352	2SD601A/QR/-X	TRANSISTOR	
Q431	UN2212-X	DIGI TRANSISTOR	
Q501	2SC4212/Z1/	TRANSISTOR	
△Q511	2SD2645-YD	TRANSISTOR	H OUT
Q531	2SC2785/JH/-T	SI TRANSISTOR	
Q532	2SB709A/QR/-X	TRANSISTOR	
Q541	2SB709A/QR/-X	TRANSISTOR	
Q542	2SB709A/QR/-X	TRANSISTOR	
Q543	2SD1408/OY/-LB	POW TRANSISTOR	
Q622	2SD601A/QR/-X	TRANSISTOR	
Q623	UN2212-X	DIGI TRANSISTOR	
Q701	2SB709A/QR/-X	TRANSISTOR	
Q951	2SD1383K/AB/-X	TRANSISTOR	
Q971	2SA1208/ST/Z1-T	TRANSISTOR	
D305	1SS133-T2	DIODE	
D306	1SS133-T2	DIODE	
D307	1SS133-T2	DIODE	
D308	1SS133-T2	DIODE	
D309	1SS133-T2	DIODE	
D310	1SS133-T2	DIODE	
D352	MTZJ9.1C-T2	Z DIODE	
D353	1SS133-T2	DIODE	
D354	MTZJ3.3A-T2	Z DIODE	
D421	1N4003-T2	SI DIODE	
D422	MTZJ75-T2	Z DIODE	
D432	1SS133-T2	DIODE	
D501	RH3G-F1	SI DIODE	
D502	RU3AM-LFC4	SI DIODE	
D521	RH1S-T3	SI DIODE	
D523	RGP10J-5025-T3	SI DIODE	
D525	1SS81-T5	SI DIODE	
D526	1SS81-T5	SI DIODE	
D527	1SR124-400A-T2	SI DIODE	
D529	MTZJ5.1C-T2	Z DIODE	
△D531	MA4068N/Z1/-T2	Z DIODE	
D535	1SS133-T2	DIODE	
D537	1SR35-400A-T2	SI DIODE	
D601	MTZJ9.1C-T2	Z DIODE	
D602	MTZJ9.1C-T2	Z DIODE	
D603	MTZJ9.1C-T2	Z DIODE	
D700	MTZJ5.6B-T2	Z DIODE	
D701	1SS133-T2	DIODE	
D703	MTZJ5.6B-T2	Z DIODE	
D704	MTZJ5.6B-T2	Z DIODE	
D705	1SS133-T2	DIODE	
D706	MTZJ5.6B-T2	Z DIODE	
D707	MTZJ5.6B-T2	Z DIODE	
D708	MTZJ5.6B-T2	Z DIODE	
D709	MTZJ5.6B-T2	Z DIODE	
D723	MTZJ5.6B-T2	Z DIODE	
△D901	GSIB460-S1	BRIDGE DIODE	
D910	MA700A-T2	SB DIODE	
D911	RGP10J-5025-T3	SI DIODE	
D912	RGP10J-5025-T3	SI DIODE	
D913	RGP10J-5025-T3	SI DIODE	
D914	1SS133-T2	DIODE	
D915	SARS01-T2	SI DIODE	
D917	MTZJ30A-T2	Z DIODE	
D918	MTZJ5.1C-T2	Z DIODE	
D920	1SS133-T2	DIODE	
D931	RU30A-F1	SI DIODE	
D933	RU3YX-LFC4	SI DIODE	
D935	RU3YX-LFC4	SI DIODE	

△Ref No.	Part No.	Part Name	Description Local
D941	MTZJ33A-T2	Z DIODE	
D945	MTZJ9.1B-T2	Z DIODE	
D952	1SS133-T2	DIODE	
D953	1SS133-T2	DIODE	
D954	1N4002G-T2	SI DIODE	
D955	1N4002G-T2	SI DIODE	
D956	1N4002G-T2	SI DIODE	
D957	1N4002G-T2	SI DIODE	
D972	MTZJ15C-T2	Z DIODE	
D973	1SS133-T2	DIODE	
△PC921	TLP421F/D4-GR/	PHOTO COUPLER	
C001	QETN1HM-475Z	E CAPACITOR	4.7uF 50V M
C003	QETN1HM-106Z	E CAPACITOR	10uF 50V M
C004	QETN1CM-108Z	E CAPACITOR	1000uF 16V M
C006	QETN1EM-476Z	E CAPACITOR	47uF 25V M
C101	NCB31HK-103X	C CAPACITOR	0.01uF 50V K
C102	NCB31HK-103X	C CAPACITOR	0.01uF 50V K
C104	NCB31HK-103X	C CAPACITOR	0.01uF 50V K
C105	NCB31HK-103X	C CAPACITOR	0.01uF 50V K
C106	QETN1EM-476Z	E CAPACITOR	47uF 25V M
C107	NCB31HK-103X	C CAPACITOR	0.01uF 50V K
C113	NCB31HK-103X	C CAPACITOR	0.01uF 50V K
C114	NCB31HK-103X	C CAPACITOR	0.01uF 50V K
C116	QFVF1HJ-224Z	MF CAPACITOR	0.22uF 50V J
C117	QETN1EM-476Z	E CAPACITOR	47uF 25V M
C118	NCB31HK-103X	C CAPACITOR	0.01uF 50V K
C119	NDC31HJ-681X	C CAPACITOR	680pF 50V J
C120	QETN1HM-474Z	E CAPACITOR	0.47uF 50V M
C124	NCB31HK-103X	C CAPACITOR	0.01uF 50V K
C131	NCB31HK-103X	C CAPACITOR	0.01uF 50V K
C161	QETN1HM-106Z	E CAPACITOR	10uF 50V M
C163	NDC31HJ-470X	C CAPACITOR	47pF 50V J
C164	NDC31HJ-470X	C CAPACITOR	47pF 50V J
C165	NCB31HK-103X	C CAPACITOR	0.01uF 50V K
C166	NCB31HK-103X	C CAPACITOR	0.01uF 50V K
C202	QETN1HM-105Z	E CAPACITOR	1uF 50V M
C203	NCB31HK-152X	C CAPACITOR	1500pF 50V K
C211	QENC1CM-106Z	BP E CAPACITOR	10uF 16V M
C212	NDC31HJ-100X	C CAPACITOR	10pF 50V J
C221	QETN1HM-106Z	E CAPACITOR	10uF 50V M
C222	QFVF1HJ-104Z	MF CAPACITOR	0.1uF 50V J
C223	NCB31HK-103X	C CAPACITOR	0.01uF 50V K
C233	NDC31HJ-680X	C CAPACITOR	68pF 50V J
C237	NCB31HK-103X	C CAPACITOR	0.01uF 50V K
C241	NCB31HK-103X	C CAPACITOR	0.01uF 50V K
C242	QETN1HM-225Z	E CAPACITOR	2.2uF 50V M
C243	QETN1CM-107Z	E CAPACITOR	100uF 16V M
C244	NCB31HK-103X	C CAPACITOR	0.01uF 50V K
C281	QFVF1HJ-474Z	MF CAPACITOR	0.47uF 50V J
C282	QETN1CM-107Z	E CAPACITOR	100uF 16V M
C283	NCB31HK-103X	C CAPACITOR	0.01uF 50V K
C284	QETN1HM-225Z	E CAPACITOR	2.2uF 50V M
C285	NCB31HK-103X	C CAPACITOR	0.01uF 50V K
C286	QETN1HM-106Z	E CAPACITOR	10uF 50V M
C287	QETN1CM-107Z	E CAPACITOR	100uF 16V M
C288	NCB31HK-103X	C CAPACITOR	0.01uF 50V K
C352	QETN1CM-336Z	E CAPACITOR	33uF 16V M
C354	NCB31HK-103X	C CAPACITOR	0.01uF 50V K
C391	QETN1CM-107Z	E CAPACITOR	100uF 16V M
C392	NCB31HK-103X	C CAPACITOR	0.01uF 50V K
C422	QFN32AJ-102Z	M CAPACITOR	1000pF 100V J
C424	QETN1VM-107Z	E CAPACITOR	100uF 35V M
C425	QETN1VM-477Z	E CAPACITOR	470uF 35V M
C427	QETN1HM-105Z	E CAPACITOR	1uF 50V M
C428	QETN1EM-228	E CAPACITOR	2200uF 25V M
C431	QFLC2AK-563Z	M CAPACITOR	0.056uF 100V K
C432	QETN1EM-476Z	E CAPACITOR	47uF 25V M
C433	QETN1EM-476Z	E CAPACITOR	47uF 25V M
C435	NCB21HK-183X	C CAPACITOR	0.018uF 50V K
C440	QCS32HJ-220Z	C CAPACITOR	22pF 500V J
C501	QCB32HK-151Z	C CAPACITOR	150pF 500V K
C502	QCB32HK-331Z	C CAPACITOR	330pF 500V K
C503	QHR2CM-105Z	E CAPACITOR	1uF 160V M
C504	QE20203-107	E CAPACITOR	100uF 160V M
C507	QEM61HK-475Z	E CAPACITOR	4.7uF 50V K
C508	QEM61HK-475Z	E CAPACITOR	4.7uF 50V K
△C510	QFZ0200-502	MPP CAPACITOR	5000pF 1.5kV H
△C513	QFZ0198-133	MPP CAPACITOR	0.013uF 1.5KV
C514	QFP32GJ-183	PP CAPACITOR	0.018uF 400V J
C515	QFZ0199-534	MPP CAPACITOR	0.53uF 250V J
C516	QCB32HK-561Z	C CAPACITOR	560pF 500V K
C521	QETN2EM-106Z	E CAPACITOR	10uF 250V M
C523	QHR1VM-108Z	E CAPACITOR	1000uF 35V M
C525	QETN1VM-107Z	E CAPACITOR	100uF 35V M
C526	QFV21HJ-824Z	MF CAPACITOR	0.82uF 50V J

△Ref No.	Part No.	Part Name	Description Local	△Ref No.	Part No.	Part Name	Description Local
C527	QFLC2AJ-103Z	M CAPACITOR	0.01uF 100V J	R113	NRSA63J-101X	MG RESISTOR	100Ω 1/16W J
C531	QCB32HK-102Z	C CAPACITOR	1000pF 500V K	R115	NRSA63J-101X	MG RESISTOR	100Ω 1/16W J
C533	QETN1HM-106Z	E CAPACITOR	10uF 50V M	R116	NRSA63J-680X	MG RESISTOR	68Ω 1/16W J
C601	QETN1EM-476Z	E CAPACITOR	47uF 25V M	R117	NRSA63J-273X	MG RESISTOR	27kΩ 1/16W J
C602	QETN1EM-476Z	E CAPACITOR	47uF 25V M	R118	NRSA63J-223X	MG RESISTOR	22kΩ 1/16W J
C603	QETN1EM-476Z	E CAPACITOR	47uF 25V M	R131	NRSA63J-102X	MG RESISTOR	1kΩ 1/16W J
C609	QFVF1HJ-104Z	MF CAPACITOR	0.1uF 50V J	R132	NRSA63J-331X	MG RESISTOR	330Ω 1/16W J
C610	QFVF1HJ-104Z	MF CAPACITOR	0.1uF 50V J	R133	NRSA63J-821X	MG RESISTOR	820Ω 1/16W J
C611	QFVF1HJ-104Z	MF CAPACITOR	0.1uF 50V J	R134	NRSA63J-561X	MG RESISTOR	560Ω 1/16W J
C612	NCB31HK-103X	C CAPACITOR	0.01uF 50V K	R135	NRSA63J-102X	MG RESISTOR	1kΩ 1/16W J
C613	NCB31HK-103X	C CAPACITOR	0.01uF 50V K	R161	NRSA63J-332X	MG RESISTOR	3.3kΩ 1/16W J
C614	NCB31HK-103X	C CAPACITOR	0.01uF 50V K	R162	NRSA63J-0R0X	MG RESISTOR	0Ω 1/16W J
C621	NCB31HK-102X	C CAPACITOR	1000pF 50V K	R163	NRSA63J-223X	MG RESISTOR	22kΩ 1/16W J
C622	NCF21CZ-105X	C CAPACITOR	1uF 16V Z	R164	NRSA63J-102X	MG RESISTOR	1kΩ 1/16W J
C623	NCB31HK-102X	C CAPACITOR	1000pF 50V K	R165	NRSA63J-223X	MG RESISTOR	22kΩ 1/16W J
C624	NCF21CZ-105X	C CAPACITOR	1uF 16V Z	R166	NRSA63J-103X	MG RESISTOR	10kΩ 1/16W J
C625	QETN1CM-107Z	E CAPACITOR	100uF 16V M	R167	NRSA63J-102X	MG RESISTOR	1kΩ 1/16W J
C626	QETN1EM-108Z	E CAPACITOR	1000uF 25V M	R168	NRSA63J-101X	MG RESISTOR	100Ω 1/16W J
C627	QETN1HM-474Z	E CAPACITOR	0.47uF 50V M	R169	NRSA63J-561X	MG RESISTOR	560Ω 1/16W J
C628	QETN1EM-108Z	E CAPACITOR	1000uF 25V M	R171	NRSA63J-103X	MG RESISTOR	10kΩ 1/16W J
C629	QETN1EM-108Z	E CAPACITOR	1000uF 25V M	R201	NRSA63J-223X	MG RESISTOR	22kΩ 1/16W J
C636	QETN1HM-105Z	E CAPACITOR	1uF 50V M	R212	NRSA63J-272X	MG RESISTOR	2.7kΩ 1/16W J
C637	QETN1HM-105Z	E CAPACITOR	1uF 50V M	R215	NRSA63J-562X	MG RESISTOR	5.6kΩ 1/16W J
C700	NCB31HK-102X	C CAPACITOR	1000pF 50V K	R216	NRSA63J-562X	MG RESISTOR	5.6kΩ 1/16W J
C701	QETN1HM-106Z	E CAPACITOR	10uF 50V M	R217	NRSA63J-102X	MG RESISTOR	1kΩ 1/16W J
C702	QETN1HM-106Z	E CAPACITOR	10uF 50V M	R222	NRSA63J-0R0X	MG RESISTOR	0Ω 1/16W J
C703	QETN1HM-106Z	E CAPACITOR	10uF 50V M	R227	NRSA63J-104X	MG RESISTOR	100kΩ 1/16W J
C704	QETN1CM-107Z	E CAPACITOR	100uF 16V M	R231	NRSA63J-182X	MG RESISTOR	1.8kΩ 1/16W J
C705	NCB31HK-103X	C CAPACITOR	0.01uF 50V K	R237	NRSA63J-392X	MG RESISTOR	3.9kΩ 1/16W J
C706	QETN1HM-105Z	E CAPACITOR	1uF 50V M	R238	NRSA63J-473X	MG RESISTOR	47kΩ 1/16W J
C708	NDC31HJ-220X	C CAPACITOR	22pF 50V J	R241	NRSA63J-332X	MG RESISTOR	3.3kΩ 1/16W J
C709	NDC31HJ-220X	C CAPACITOR	22pF 50V J	R243	NRSA63J-152X	MG RESISTOR	1.5kΩ 1/16W J
C711	QETN1CM-107Z	E CAPACITOR	100uF 16V M	R281	NRSA63J-182X	MG RESISTOR	1.8kΩ 1/16W J
C712	NCB31HK-103X	C CAPACITOR	0.01uF 50V K	R282	NRSA63J-392X	MG RESISTOR	3.9kΩ 1/16W J
C716	QETN1HM-106Z	E CAPACITOR	10uF 50V M	R283	NRSA63J-681X	MG RESISTOR	680Ω 1/16W J
C728	NCB31HK-103X	C CAPACITOR	0.01uF 50V K	R286	NRSA63J-472X	MG RESISTOR	4.7kΩ 1/16W J
C807	QETN1AM-477Z	E CAPACITOR	470uF 10V M	R287	NRSA63J-101X	MG RESISTOR	100Ω 1/16W J
C815	NCB31HK-103X	C CAPACITOR	0.01uF 50V K	R288	NRSA63J-471X	MG RESISTOR	470Ω 1/16W J
C853	QETN1CM-227Z	E CAPACITOR	220uF 16V M	R289	NRSA63J-154X	MG RESISTOR	150kΩ 1/16W J
C854	QETN1CM-227Z	E CAPACITOR	220uF 16V M	R290	NRSA63J-561X	MG RESISTOR	560Ω 1/16W J
C856	QETN1CM-227Z	E CAPACITOR	220uF 16V M	R292	NRSA63J-124X	MG RESISTOR	120kΩ 1/16W J
C857	QETN1CM-477Z	E CAPACITOR	470uF 16V M	R293	NRSA63J-224X	MG RESISTOR	220kΩ 1/16W J
△C901	QFZ9072-104	MM CAPACITOR	0.1uF AC250V K	R301	NRSA63J-222X	MG RESISTOR	2.2kΩ 1/16W J
△C902	QFZ9072-473	MM CAPACITOR	0.047uF AC250V K	R302	NRSA63J-222X	MG RESISTOR	2.2kΩ 1/16W J
△C904	QCZ9054-102	C CAPACITOR	1000pF AC250V Z	R303	NRSA63J-222X	MG RESISTOR	2.2kΩ 1/16W J
△C905	QCZ9054-102	C CAPACITOR	1000pF AC250V Z	R304	NRSA63J-101X	MG RESISTOR	100Ω 1/16W J
△C906	QCZ9054-102	C CAPACITOR	1000pF AC250V Z	R305	NRSA63J-101X	MG RESISTOR	100Ω 1/16W J
C907	QEZO169-477	E CAPACITOR	470uF 200V M	R306	NRSA63J-101X	MG RESISTOR	100Ω 1/16W J
△C908	QCZ9054-102	C CAPACITOR	1000pF AC250V Z	R354	NRSA63J-0R0X	MG RESISTOR	0Ω 1/16W J
C912	QCZ0340-222	C CAPACITOR	2200pF 2kV K	R355	NRSA63J-0R0X	MG RESISTOR	0Ω 1/16W J
C913	QFLC1HJ-471Z	M CAPACITOR	470pF 50V J	R356	NRSA63J-123X	MG RESISTOR	12kΩ 1/16W J
C914	QETN1HM-107Z	E CAPACITOR	100uF 50V M	R359	NRSA63J-103X	MG RESISTOR	10kΩ 1/16W J
C916	NDC31HJ-331X	C CAPACITOR	330pF 50V J	R360	NCB31HK-103X	C CAPACITOR	0.01uF 50V K
C917	NCB31HK-182X	C CAPACITOR	1800pF 50V K	R421	NRSA63J-822X	MG RESISTOR	8.2kΩ 1/16W J
C918	NCB21HK-104X	C CAPACITOR	0.1uF 50V K	R423	NRSA63J-393X	MG RESISTOR	39kΩ 1/16W J
C919	QFP32GJ-103	PP CAPACITOR	0.01uF 400V J	R424	NRSA63J-393X	MG RESISTOR	39kΩ 1/16W J
C931	QEZO203-107	E CAPACITOR	100uF 160V M	R426	NRSA63J-183X	MG RESISTOR	18kΩ 1/16W J
C933	QETN1CM-108Z	E CAPACITOR	1000uF 16V M	R427	QRT029J-1R5	MF RESISTOR	1.5Ω 2W J
C934	NDC31HJ-151X	C CAPACITOR	150pF 50V J	R429	NRSA63J-272X	MG RESISTOR	2.7kΩ 1/16W J
C935	QETN1EM-108Z	E CAPACITOR	1000uF 25V M	R430	NRSA63J-0R0X	MG RESISTOR	0Ω 1/16W J
C937	QCZ0340-102	C CAPACITOR	1000pF 2kV K	R431	NRSA63J-152X	MG RESISTOR	1.5kΩ 1/16W J
C938	QETN1CM-477Z	E CAPACITOR	470uF 16V M	R432	NRSA63J-101X	MG RESISTOR	100Ω 1/16W J
C939	QCB32HK-152Z	C CAPACITOR	1500pF 500V K	R433	NRSA63J-681X	MG RESISTOR	680Ω 1/16W J
C941	QCB32HK-102Z	C CAPACITOR	1000pF 500V K	R434	QRL029J-181	OMF RESISTOR	180Ω 2W J
C942	QHR1HM-105Z	E CAPACITOR	1uF 50V M	R435	QRE121J-102Y	C RESISTOR	1kΩ 1/2W J
C951	QETN1EM-477Z	E CAPACITOR	470uF 25V M	R441	NRSA63J-0R0X	MG RESISTOR	0Ω 1/16W J
C952	QETN1CM-227Z	E CAPACITOR	220uF 16V M	R447	NRSA63J-104X	MG RESISTOR	100kΩ 1/16W J
C971	QETN1CM-107Z	E CAPACITOR	100uF 16V M	R448	NRSA63J-473X	MG RESISTOR	47kΩ 1/16W J
C972	QETN1EM-476Z	E CAPACITOR	47uF 25V M	R449	NRSA63J-103X	MG RESISTOR	10kΩ 1/16W J
C973	QETN1HM-106Z	E CAPACITOR	10uF 50V M	R501	NRSA63J-0R0X	MG RESISTOR	0Ω 1/16W J
△C995	QCZ9052-102	C CAPACITOR	1000pF AC125V M	R502	NRSA63J-271X	MG RESISTOR	270Ω 1/16W J
△C998	QCZ9074-103	C CAPACITOR	0.01uF 250V	R503	QRE121J-103Y	C RESISTOR	10kΩ 1/2W J
△C999	QCZ9074-103	C CAPACITOR	0.01uF 250V	R504	QRL039J-102	OMF RESISTOR	1kΩ 3W J
R002	NRSA63J-0R0X	MG RESISTOR	0Ω 1/16W J	R505	QRL039J-102	OMF RESISTOR	1kΩ 3W J
R003	NRSA63J-101X	MG RESISTOR	100Ω 1/16W J	R511	QRE121J-220Y	C RESISTOR	22Ω 1/2W J
R004	NRSA63J-101X	MG RESISTOR	100Ω 1/16W J	R512	QRE121J-681Y	C RESISTOR	680Ω 1/2W J
R005	NRSA63J-0R0X	MG RESISTOR	0Ω 1/16W J	R523	QRJ146J-333X	UNF C RESISTOR	33kΩ 1/4W J
R008	NRSA63J-820X	MG RESISTOR	82Ω 1/16W J	R526	QRE121J-272Y	C RESISTOR	2.7kΩ 1/2W J
R009	NRSA63J-682X	MG RESISTOR	6.8kΩ 1/16W J	R527	QRE121J-154Y	C RESISTOR	150kΩ 1/2W J
R101	NRSA63J-562X	MG RESISTOR	5.6kΩ 1/16W J	R528	QRE121J-154Y	C RESISTOR	150kΩ 1/2W J
R102	NRSA63J-182X	MG RESISTOR	1.8kΩ 1/16W J	R529	NRSA63J-331X	MG RESISTOR	330Ω 1/16W J
R103	QRE121J-101Y	C RESISTOR	100Ω 1/2W J	R531	QRJ146J-391X	UNF C RESISTOR	390Ω 1/4W J
R104	NRSA63J-180X	MG RESISTOR	18Ω 1/16W J	R532	NRSA63J-273X	MG RESISTOR	27kΩ 1/16W J
R105	NRSA63J-270X	MG RESISTOR	27Ω 1/16W J	R533	NRSA63J-123X	MG RESISTOR	12kΩ 1/16W J
R111	NRSA63J-394X	MG RESISTOR	390kΩ 1/16W J	R534	NRSA63J-123X	MG RESISTOR	12kΩ 1/16W J
R112	NRSA63J-334X	MG RESISTOR	330kΩ 1/16W J	△R535	NRVA02D-222X	CMF RESISTOR	2.2kΩ 1/10W D
				△R537	NRVA02D-752X	CMF RESISTOR	7.5kΩ 1/10W D

△Ref No.	Part No.	Part Name	Description Local	△Ref No.	Part No.	Part Name	Description Local
R538	NRSA63J-333X	MG RESISTOR	33kΩ 1/16W J	R979	QRT029J-1R2	MF RESISTOR	1.2Ω 2W J
R543	QRE121J-122Y	C RESISTOR	1.2kΩ 1/2W J	R980	QRT029J-1R2	MF RESISTOR	1.2Ω 2W J
R544	QRE121J-392Y	C RESISTOR	3.9kΩ 1/2W J	△R998	QRZ9041-275	C RESISTOR	2.7MΩ 1/2W K
R545	QRE121J-822Y	C RESISTOR	8.2kΩ 1/2W J	R999	QRE121J-121Y	C RESISTOR	120Ω 1/2W J
R546	NRSA63J-331X	MG RESISTOR	330Ω 1/16W J	L001	QQL244K-560Z	COIL	56uH K
R547	NRSA63J-104X	MG RESISTOR	100kΩ 1/16W J	L101	QQL2014-R22	COIL	0.22uH 100mA L
R548	QRE121J-152Y	C RESISTOR	1.5kΩ 1/2W J	L113	QQL244K-4R7Z	COIL	4.7uH K
R553	QRL039J-180	OMF RESISTOR	18Ω 3W J	L131	QQL244K-150Z	COIL	15uH K
△R554	QRK126J-150X	UNF C RESISTOR	15Ω 1/2W J	L161	QQL244K-220Z	COIL	22uH K
R555	QRX029J-3R3	MF RESISTOR	3.3Ω 2W J	L232	QQL244K-560Z	COIL	56uH K
R601	NRSA63J-750X	MG RESISTOR	75Ω 1/16W J	L241	QQL244K-220Z	COIL	22uH K
R602	NRSA63J-750X	MG RESISTOR	75Ω 1/16W J	L391	QQL244K-220Z	COIL	22uH K
R603	NRSA63J-750X	MG RESISTOR	75Ω 1/16W J	L511	QQR1027-003	LINEARITY COIL	
R610	NRSA63J-0R0X	MG RESISTOR	0Ω 1/16W J	L512	QQL2036-821	COIL	820uH K
R611	NRSA63J-0R0X	MG RESISTOR	0Ω 1/16W J	L521	QQLZ026-121	COIL	120uH ±7%
R612	NRSA63J-0R0X	MG RESISTOR	0Ω 1/16W J	L701	QQL244K-220Z	COIL	22uH K
R613	NRSA63J-0R0X	MG RESISTOR	0Ω 1/16W J	L702	QQL244K-220Z	COIL	22uH K
R621	NRSA63J-682X	MG RESISTOR	6.8kΩ 1/16W J	L704	QQL244K-220Z	COIL	22uH K
R622	NRSA63J-681X	MG RESISTOR	680Ω 1/16W J	L705	QQL244K-220Z	COIL	22uH K
R623	NRSA63J-682X	MG RESISTOR	6.8kΩ 1/16W J	L931	QQL26AK-470Z	COIL	47uH K
R624	NRSA63J-681X	MG RESISTOR	680Ω 1/16W J	L933	QQL26AK-470Z	COIL	47uH K
R626	NRSA63J-223X	MG RESISTOR	22kΩ 1/16W J	L940	QQR0582-001Z	FERRITE BEADS	
R627	NRSA63J-223X	MG RESISTOR	22kΩ 1/16W J	T111	QQR0907-001	IFT	
R631	NRSA63J-333X	MG RESISTOR	33kΩ 1/16W J	T501	CE42034-002	HOR DRIVE TRANS	
R632	NRSA63J-223X	MG RESISTOR	22kΩ 1/16W J	△T502	QQH0121-001	FB TRANSF	
R638	NRSA63J-0R0X	MG RESISTOR	0Ω 1/16W J	△T921	QQS0138-001	SW TRANSF	
R639	NRSA63J-0R0X	MG RESISTOR	0Ω 1/16W J	△T951	QQT0372-001	POWER TRANSF	
R651	NRSA63J-0R0X	MG RESISTOR	0Ω 1/16W J	CF001	QAX0349-001	C TRAP	47.25MHz
R652	NRSA63J-0R0X	MG RESISTOR	0Ω 1/16W J	CF131	QAX0639-001Z	C TRAP	4.500MHz
R653	NRSA63J-0R0X	MG RESISTOR	0Ω 1/16W J	CF161	QAX0642-001Z	C FILTER	4.500MHz
R700	NRSA63J-102X	MG RESISTOR	1kΩ 1/16W J	CN001	QGB1505J1-35	CONNECTOR	B-B (1-35)
R701	NRSA63J-103X	MG RESISTOR	10kΩ 1/16W J	CN004	QGA2501C5-05Z	CONNECTOR	W-B (1-5)
R702	NRSA63J-102X	MG RESISTOR	1kΩ 1/16W J	CN005	QGA2501C5-04Z	CONNECTOR	W-B (1-4)
R704	NRSA63J-472X	MG RESISTOR	4.7kΩ 1/16W J	CN007	QGA2501C5-06Z	CONNECTOR	W-B (1-6)
R705	NRSA63J-472X	MG RESISTOR	4.7kΩ 1/16W J	CN00C	QGA2501F1-06	CONNECTOR	W-B (1-6)
R706	NRSA63J-472X	MG RESISTOR	4.7kΩ 1/16W J	CN0B1	QGA2501C5-03Z	CONNECTOR	W-B (1-3)
R707	NRSA63J-103X	MG RESISTOR	10kΩ 1/16W J	CN0E1	CE41507-001P	LV CONNECTOR	
R708	NRSA63J-101X	MG RESISTOR	100Ω 1/16W J	CN0HV	QGZ5004C1-06	CONNECTOR	(1-6)
R709	NRSA63J-101X	MG RESISTOR	100Ω 1/16W J	CN0S1	QGA2501C5-03Z	CONNECTOR	W-B (1-3)
R715	NRSA63J-103X	MG RESISTOR	10kΩ 1/16W J	CN0SS	QGA2501C5-04Z	CONNECTOR	W-B (1-4)
R718	NRSA63J-223X	MG RESISTOR	22kΩ 1/16W J	△CP932	ICP-N70-T	IC PROTECTOR	2.5A
R721	NRSA63J-102X	MG RESISTOR	1kΩ 1/16W J	△CP936	ICP-N70-T	IC PROTECTOR	2.5A
R728	NRSA63J-102X	MG RESISTOR	1kΩ 1/16W J	△F901	QMF0007-5R0J1	FUSE	5A
R729	NRSA63J-223X	MG RESISTOR	22kΩ 1/16W J	△F905	QMFZ049-5R0Z-E	FUSE	5A 125V
R731	NRSA63J-101X	MG RESISTOR	100Ω 1/16W J	FC901	CEMG002-001Z	FUSE CLIP	
R732	NRSA63J-101X	MG RESISTOR	100Ω 1/16W J	FC902	CEMG002-001Z	FUSE CLIP	
R733	NRSA63J-472X	MG RESISTOR	4.7kΩ 1/16W J	△FR525	QRZ9017-4R7	FUSI RESISTOR	4.7Ω 1/4W J
R734	NRSA63J-472X	MG RESISTOR	4.7kΩ 1/16W J	△FR527	QRZ9011-470	FUSI RESISTOR	47Ω 1/2W J
R739	NRSA63J-0R0X	MG RESISTOR	0Ω 1/16W J	HS001	CEHE011-001WU	HEAT SINK	
R740	NRSA63J-103X	MG RESISTOR	10kΩ 1/16W J	HS002	LC31678-001A	HEAT SINK/AL-F/	
R764	NRSA63J-221X	MG RESISTOR	220Ω 1/16W J	HS003	LC31677-001A	HEAT SINK/AL-F/	
R765	NRSA63J-221X	MG RESISTOR	220Ω 1/16W J	HS004	CEHE015-001WU	HEAT SINK	
R766	NRSA63J-221X	MG RESISTOR	220Ω 1/16W J	HS005	CM42862-00G-H	HEAT SINK ASSY	
R767	NRSA63J-221X	MG RESISTOR	220Ω 1/16W J	HS007	CEHT11B-002QS	HEAT SINK	
R769	NRSA63J-682X	MG RESISTOR	6.8kΩ 1/16W J	J601	QNN0349-002	PIN JACK	
R772	NRSA63J-103X	MG RESISTOR	10kΩ 1/16W J	K401	QQR0621-002Z	FERRITE BEADS	
R811	NRSA63J-473X	MG RESISTOR	47kΩ 1/16W J	K912	QQR0582-001Z	FERRITE BEADS	
R816	NRSA63J-124X	MG RESISTOR	120kΩ 1/16W J	K916	QQR0582-001Z	FERRITE BEADS	
R821	NRSA63J-184X	MG RESISTOR	180kΩ 1/16W J	K917	QQR0582-001Z	FERRITE BEADS	
R822	NRSA63J-0R0X	MG RESISTOR	0Ω 1/16W J	K918	QQR0582-001Z	FERRITE BEADS	
R827	NRSA63J-102X	MG RESISTOR	1kΩ 1/16W J	K931	QQR0582-001Z	FERRITE BEADS	
R855	QRG039J-100	OMF RESISTOR	10Ω 3W J	K932	QQR0582-001Z	FERRITE BEADS	
R857	QRL029J-470	OMF RESISTOR	47Ω 2W J	K933	QQR0621-002Z	FERRITE BEADS	
R858	QRL029J-820	OMF RESISTOR	82Ω 2W J	K935	QQR0582-001Z	FERRITE BEADS	
R901	QRF074K-R47	UNF WWW RESISTOR	0.47Ω 7W K	LC601	QQR1199-001	EMI FILTER	COMP IN
R909	QRG01GJ-470	OMF RESISTOR	47Ω 1W J	LC602	QQR1199-001	EMI FILTER	
R911	QRE121J-223Y	C RESISTOR	22kΩ 1/2W J	LC603	QQR1199-001	EMI FILTER	
R912	QRT029J-R22	MF RESISTOR	0.22Ω 2W J	△LF901	QQR1085-003	LINE FILTER	
R913	QRT029J-R22	MF RESISTOR	0.22Ω 2W J	△RY951	QSK0086-001	RELAY	
△R914	QRK126J-681X	UNF C RESISTOR	680Ω 1/2W J	S421	QSL4A13-C02	LEVER SWITCH	V CENTER
△R915	QRK129J-6R8	UNF C RESISTOR	6.8Ω 1/2W J	SF101	QAX0723-001	SAW FILTER	
△R917	QRK126J-332X	UNF C RESISTOR	3.3kΩ 1/2W J	△TH901	QAD0132-3R0	P THERMISTOR	3Ω
R918	QRE121J-222Y	C RESISTOR	2.2kΩ 1/2W J	△TU001	QAU0305-001	TUNER	
R919	QRE121J-684Y	C RESISTOR	680kΩ 1/2W J	△VA901	ERZV10V621CS	ZNR	
R924	QRE121J-222Y	C RESISTOR	2.2kΩ 1/2W J	W1	NRSA63J-0R0X	MG RESISTOR	0Ω 1/16W J
R930	QRE121J-223Y	C RESISTOR	22kΩ 1/2W J	W2	NRSA63J-0R0X	MG RESISTOR	0Ω 1/16W J
R939	QRT039J-2R2	MF RESISTOR	2.2Ω 3W J	W3	NRSA63J-0R0X	MG RESISTOR	0Ω 1/16W J
R940	QRE121J-181Y	C RESISTOR	180Ω 1/2W J	W4	NRSA63J-0R0X	MG RESISTOR	0Ω 1/16W J
R941	QRL029J-183	OMF RESISTOR	18kΩ 2W J	W5	NRSA63J-0R0X	MG RESISTOR	0Ω 1/16W J
R950	NRSA63J-0R0X	MG RESISTOR	0Ω 1/16W J	W6	NRSA63J-0R0X	MG RESISTOR	0Ω 1/16W J
R951	NRSA63J-473X	MG RESISTOR	47kΩ 1/16W J	W7	NRSA63J-0R0X	MG RESISTOR	0Ω 1/16W J
R952	NRSA63J-102X	MG RESISTOR	1kΩ 1/16W J	W8	NRSA63J-0R0X	MG RESISTOR	0Ω 1/16W J
R953	QRE121J-820Y	C RESISTOR	82Ω 1/2W J	W9	NRSA63J-0R0X	MG RESISTOR	0Ω 1/16W J
R973	QRE121J-272Y	C RESISTOR	2.7kΩ 1/2W J	W10	NRSA63J-0R0X	MG RESISTOR	0Ω 1/16W J
R975	QRE121J-223Y	C RESISTOR	22kΩ 1/2W J	W11	NRSA63J-0R0X	MG RESISTOR	0Ω 1/16W J
R977	QRE121J-473Y	C RESISTOR	47kΩ 1/2W J				
R978	NRSA63J-333X	MG RESISTOR	33kΩ 1/16W J				

△Ref No.	Part No.	Part Name	Description Local
W12	NRSA63J-0R0X	MG RESISTOR	0Ω 1/16W J
W13	NRSA63J-0R0X	MG RESISTOR	0Ω 1/16W J
W14	NRSA63J-0R0X	MG RESISTOR	0Ω 1/16W J
W15	NRSA63J-0R0X	MG RESISTOR	0Ω 1/16W J
W16	NRSA63J-0R0X	MG RESISTOR	0Ω 1/16W J
W17	NRSA63J-0R0X	MG RESISTOR	0Ω 1/16W J
W18	NRSA63J-0R0X	MG RESISTOR	0Ω 1/16W J
W19	NRSA63J-0R0X	MG RESISTOR	0Ω 1/16W J
W20	NRSA63J-0R0X	MG RESISTOR	0Ω 1/16W J
W21	NRSA63J-0R0X	MG RESISTOR	0Ω 1/16W J
W22	NRSA63J-0R0X	MG RESISTOR	0Ω 1/16W J
W23	NRSA63J-0R0X	MG RESISTOR	0Ω 1/16W J
W24	NRSA63J-0R0X	MG RESISTOR	0Ω 1/16W J
W25	NRSA63J-0R0X	MG RESISTOR	0Ω 1/16W J
W26	NRSA63J-0R0X	MG RESISTOR	0Ω 1/16W J
W27	NRSA63J-0R0X	MG RESISTOR	0Ω 1/16W J
W28	NRSA63J-0R0X	MG RESISTOR	0Ω 1/16W J
X701	QAX0717-001Z	CRYSTAL	8.000MHz
Y402	NRSA63J-0R0X	MG RESISTOR	0Ω 1/16W J
Y405	NRSA63J-0R0X	MG RESISTOR	0Ω 1/16W J
Y411	NRSA63J-0R0X	MG RESISTOR	0Ω 1/16W J
Y414	NRSA63J-0R0X	MG RESISTOR	0Ω 1/16W J
Y701	QRE141J-0R0Y	C RESISTOR	0Ω 1/4W J

CRT SOCKET PW BOARD ASS'Y (SGE-3061A-M2)

REFER TO PARTS LIST IN PAGE 3-8 FOR THIS P.W. BOARD.

AV SELECTER PW BOARD ASS'Y (SGE-5062A-M2)

REFER TO PARTS LIST IN PAGE 3-8 FOR THIS P.W. BOARD.

**FRONT TERMINAL PW BOARD ASS'Y
 (SGE-6061A-M2)**

REFER TO PARTS LIST IN PAGE 3-9 FOR THIS P.W. BOARD.

**FRONT CONTROL PW BOARD ASS'Y
 (SGE-7061A-M2)**

REFER TO PARTS LIST IN PAGE 3-9 FOR THIS P.W. BOARD.

[AV-32430/YA]
MAIN PW BOARD ASS'Y (SGE-1065A-M2)

△Ref No.	Part No.	Part Name	Description	Local
IC101	M52342SP	IC		
IC201	TM8812CPDNG4N35	IC(MCU)		
IC421	LA7841	IC		
IC621	LA4485	IC		
IC702	AT24C04W-32430	IC	(SERVICE)	
IC703	S-80840CNY-T	IC		
IC704	AN78L05-T	IC		
IC852	AN7809F	IC		
IC853	AN7805F	IC		
△IC911	STR-G6624/F8	IC		
△IC921	SE135N	IC		
Q001	UN2212-X	DIGI TRANSISTOR		
Q101	2SC5083/L-P/-T	TRANSISTOR		
Q131	2SB709A/QR/-X	TRANSISTOR		
Q161	2SD601A/QR/-X	TRANSISTOR		
Q211	2SD601A/QR/-X	TRANSISTOR		
Q232	2SD601A/QR/-X	TRANSISTOR		
Q233	2SD601A/QR/-X	TRANSISTOR		
Q352	2SD601A/QR/-X	TRANSISTOR		
Q431	UN2212-X	DIGI TRANSISTOR		
Q501	2SC4212/Z1/	TRANSISTOR		
△Q511	2SD2645-YD	TRANSISTOR	H OUT	
Q531	2SC2785/JH/-T	SI TRANSISTOR		
Q532	2SB709A/QR/-X	TRANSISTOR		
Q541	2SB709A/QR/-X	TRANSISTOR		
Q542	2SB709A/QR/-X	TRANSISTOR		
Q543	2SD1408/OY/-LB	POW TRANSISTOR		
Q622	2SD601A/QR/-X	TRANSISTOR		
Q623	UN2212-X	DIGI TRANSISTOR		
Q701	2SB709A/QR/-X	TRANSISTOR		
Q951	2SD1383K/AB/-X	TRANSISTOR		
Q971	2SA1208/ST/Z1-T	TRANSISTOR		
D305	1SS133-T2	DIODE		
D306	1SS133-T2	DIODE		
D307	1SS133-T2	DIODE		
D308	1SS133-T2	DIODE		
D309	1SS133-T2	DIODE		
D310	1SS133-T2	DIODE		
D352	MTZJ9.1C-T2	Z DIODE		
D353	1SS133-T2	DIODE		
D354	MTZJ3.3A-T2	Z DIODE		
D421	1N4003-T2	SI DIODE		
D422	MTZJ75-T2	Z DIODE		
D432	1SS133-T2	DIODE		
D501	RH3G-F1	SI DIODE		
D502	RU3AM-LFC4	SI DIODE		
D521	RH1S-T3	SI DIODE		
D523	RGP10J-5025-T3	SI DIODE		
D525	1SS81-T5	SI DIODE		
D526	1SS81-T5	SI DIODE		
D527	1SR124-400A-T2	SI DIODE		
D529	MTZJ5.1C-T2	Z DIODE		
△D531	MA4068N/Z1/-T2	Z DIODE		
D535	1SS133-T2	DIODE		
D537	1SR35-400A-T2	SI DIODE		
D601	MTZJ9.1C-T2	Z DIODE		
D602	MTZJ9.1C-T2	Z DIODE		
D603	MTZJ9.1C-T2	Z DIODE		
D700	MTZJ5.6B-T2	Z DIODE		
D701	1SS133-T2	DIODE		
D703	MTZJ5.6B-T2	Z DIODE		
D704	MTZJ5.6B-T2	Z DIODE		
D705	1SS133-T2	DIODE		
D706	MTZJ5.6B-T2	Z DIODE		
D707	MTZJ5.6B-T2	Z DIODE		
D708	MTZJ5.6B-T2	Z DIODE		
D709	MTZJ5.6B-T2	Z DIODE		
D723	MTZJ5.6B-T2	Z DIODE		
△D901	GSIB460-S1	BRIDGE DIODE		
D910	MA700A-T2	SB DIODE		
D911	RGP10J-5025-T3	SI DIODE		
D912	RGP10J-5025-T3	SI DIODE		
D913	RGP10J-5025-T3	SI DIODE		
D914	1SS133-T2	DIODE		
D915	SARS01-T2	SI DIODE		
D917	MTZJ30A-T2	Z DIODE		
D918	MTZJ5.1C-T2	Z DIODE		
D920	1SS133-T2	DIODE		
D931	RU30A-F1	SI DIODE		
D933	RU3YX-LFC4	SI DIODE		
D935	RU3YX-LFC4	SI DIODE		

△Ref No.	Part No.	Part Name	Description	Local
D941	MTZJ33A-T2	Z DIODE		
D945	MTZJ9.1B-T2	Z DIODE		
D952	1SS133-T2	DIODE		
D953	1SS133-T2	DIODE		
D954	1N4002G-T2	SI DIODE		
D955	1N4002G-T2	SI DIODE		
D956	1N4002G-T2	SI DIODE		
D957	1N4002G-T2	SI DIODE		
D972	MTZJ15C-T2	Z DIODE		
D973	1SS133-T2	DIODE		
△PC921	TLP421F/D4-GR/	PHOTO COUPLER		
C001	QETN1HM-475Z	E CAPACITOR	4.7uF 50V M	
C003	QETN1HM-106Z	E CAPACITOR	10uF 50V M	
C004	QETN1CM-108Z	E CAPACITOR	1000uF 16V M	
C006	QETN1EM-476Z	E CAPACITOR	47uF 25V M	
C101	NCB31HK-103X	C CAPACITOR	0.01uF 50V K	
C102	NCB31HK-103X	C CAPACITOR	0.01uF 50V K	
C104	NCB31HK-103X	C CAPACITOR	0.01uF 50V K	
C105	NCB31HK-103X	C CAPACITOR	0.01uF 50V K	
C106	QETN1EM-476Z	E CAPACITOR	47uF 25V M	
C107	NCB31HK-103X	C CAPACITOR	0.01uF 50V K	
C113	NCB31HK-103X	C CAPACITOR	0.01uF 50V K	
C114	NCB31HK-103X	C CAPACITOR	0.01uF 50V K	
C116	QFVF1HJ-224Z	MF CAPACITOR	0.22uF 50V J	
C117	QETN1EM-476Z	E CAPACITOR	47uF 25V M	
C118	NCB31HK-103X	C CAPACITOR	0.01uF 50V K	
C119	NDC31HJ-681X	C CAPACITOR	680pF 50V J	
C120	QETN1HM-474Z	E CAPACITOR	0.47uF 50V M	
C124	NCB31HK-103X	C CAPACITOR	0.01uF 50V K	
C131	NCB31HK-103X	C CAPACITOR	0.01uF 50V K	
C161	QETN1HM-106Z	E CAPACITOR	10uF 50V M	
C163	NDC31HJ-470X	C CAPACITOR	47pF 50V J	
C164	NDC31HJ-470X	C CAPACITOR	47pF 50V J	
C165	NCB31HK-103X	C CAPACITOR	0.01uF 50V K	
C166	NCB31HK-103X	C CAPACITOR	0.01uF 50V K	
C202	QETN1HM-105Z	E CAPACITOR	1uF 50V M	
C203	NCB31HK-152X	C CAPACITOR	1500pF 50V K	
C211	QENC1CM-106Z	BP E CAPACITOR	10uF 16V M	
C212	NDC31HJ-100X	C CAPACITOR	10pF 50V J	
C221	QETN1HM-106Z	E CAPACITOR	10uF 50V M	
C222	QFVF1HJ-104Z	MF CAPACITOR	0.1uF 50V J	
C223	NCB31HK-103X	C CAPACITOR	0.01uF 50V K	
C233	NDC31HJ-680X	C CAPACITOR	68pF 50V J	
C237	NCB31HK-103X	C CAPACITOR	0.01uF 50V K	
C241	NCB31HK-103X	C CAPACITOR	0.01uF 50V K	
C242	QETN1HM-225Z	E CAPACITOR	2.2uF 50V M	
C243	QETN1CM-107Z	E CAPACITOR	100uF 16V M	
C244	NCB31HK-103X	C CAPACITOR	0.01uF 50V K	
C281	QFVF1HJ-474Z	MF CAPACITOR	0.47uF 50V J	
C282	QETN1CM-107Z	E CAPACITOR	100uF 16V M	
C283	NCB31HK-103X	C CAPACITOR	0.01uF 50V K	
C284	QETN1HM-225Z	E CAPACITOR	2.2uF 50V M	
C285	NCB31HK-103X	C CAPACITOR	0.01uF 50V K	
C286	QETN1HM-106Z	E CAPACITOR	10uF 50V M	
C287	QETN1CM-107Z	E CAPACITOR	100uF 16V M	
C288	NCB31HK-103X	C CAPACITOR	0.01uF 50V K	
C352	QETN1CM-336Z	E CAPACITOR	33uF 16V M	
C354	NCB31HK-103X	C CAPACITOR	0.01uF 50V K	
C391	QETN1CM-107Z	E CAPACITOR	100uF 16V M	
C392	NCB31HK-103X	C CAPACITOR	0.01uF 50V K	
C422	QFN32AJ-102Z	M CAPACITOR	1000pF 100V J	
C424	QETN1VM-107Z	E CAPACITOR	100uF 35V M	
C425	QETN1VM-477Z	E CAPACITOR	470uF 35V M	
C427	QETN1HM-105Z	E CAPACITOR	1uF 50V M	
C428	QETN1EM-228	E CAPACITOR	2200uF 25V M	
C431	QFLC2AK-563Z	M CAPACITOR	0.056uF 100V K	
C432	QETN1EM-476Z	E CAPACITOR	47uF 25V M	
C433	QETN1EM-476Z	E CAPACITOR	47uF 25V M	
C435	NCB21HK-183X	C CAPACITOR	0.018uF 50V K	
C440	QCS32HJ-220Z	C CAPACITOR	22pF 500V J	
C501	QCB32HK-151Z	C CAPACITOR	150pF 500V K	
C502	QCB32HK-331Z	C CAPACITOR	330pF 500V K	
C503	QHR2CM-105Z	E CAPACITOR	1uF 160V M	
C504	QE20203-107	E CAPACITOR	100uF 160V M	
C507	QEM61HK-475Z	E CAPACITOR	4.7uF 50V K	
C508	QEM61HK-475Z	E CAPACITOR	4.7uF 50V K	
△C510	QFZ0200-502	MPP CAPACITOR	5000pF 1.5kV H	
△C513	QFZ0198-133	MPP CAPACITOR	0.013uF 1.5KV	
C514	QFP32GJ-183	PP CAPACITOR	0.018uF 400V J	
C515	QFZ0199-534	MPP CAPACITOR	0.53uF 250V M	
C516	QCB32HK-561Z	C CAPACITOR	560pF 500V K	
C521	QETN2EM-106Z	E CAPACITOR	10uF 250V M	
C523	QHR1VM-108Z	E CAPACITOR	1000uF 35V M	
C525	QETN1VM-107Z	E CAPACITOR	100uF 35V M	
C526	QFV21HJ-824Z	MF CAPACITOR	0.82uF 50V J	

△Ref No.	Part No.	Part Name	Description Local	△Ref No.	Part No.	Part Name	Description Local
C527	QFLC2AJ-103Z	M CAPACITOR	0.01uF 100V J	R113	NRSA63J-101X	MG RESISTOR	100Ω 1/16W J
C531	QCB32HK-102Z	C CAPACITOR	1000pF 500V K	R115	NRSA63J-101X	MG RESISTOR	100Ω 1/16W J
C533	QETN1HM-106Z	E CAPACITOR	10uF 50V M	R116	NRSA63J-680X	MG RESISTOR	68Ω 1/16W J
C601	QETN1EM-476Z	E CAPACITOR	47uF 25V M	R117	NRSA63J-273X	MG RESISTOR	27kΩ 1/16W J
C602	QETN1EM-476Z	E CAPACITOR	47uF 25V M	R118	NRSA63J-223X	MG RESISTOR	22kΩ 1/16W J
C603	QETN1EM-476Z	E CAPACITOR	47uF 25V M	R131	NRSA63J-102X	MG RESISTOR	1kΩ 1/16W J
C609	QFVF1HJ-104Z	MF CAPACITOR	0.1uF 50V J	R132	NRSA63J-331X	MG RESISTOR	330Ω 1/16W J
C610	QFVF1HJ-104Z	MF CAPACITOR	0.1uF 50V J	R133	NRSA63J-821X	MG RESISTOR	820Ω 1/16W J
C611	QFVF1HJ-104Z	MF CAPACITOR	0.1uF 50V J	R134	NRSA63J-561X	MG RESISTOR	560Ω 1/16W J
C612	NCB31HK-103X	C CAPACITOR	0.01uF 50V K	R135	NRSA63J-102X	MG RESISTOR	1kΩ 1/16W J
C613	NCB31HK-103X	C CAPACITOR	0.01uF 50V K	R161	NRSA63J-332X	MG RESISTOR	3.3kΩ 1/16W J
C614	NCB31HK-103X	C CAPACITOR	0.01uF 50V K	R162	NRSA63J-0R0X	MG RESISTOR	0Ω 1/16W J
C621	NCB31HK-102X	C CAPACITOR	1000pF 50V K	R163	NRSA63J-223X	MG RESISTOR	22kΩ 1/16W J
C622	NCF21CZ-105X	C CAPACITOR	1uF 16V Z	R164	NRSA63J-102X	MG RESISTOR	1kΩ 1/16W J
C623	NCB31HK-102X	C CAPACITOR	1000pF 50V K	R165	NRSA63J-223X	MG RESISTOR	22kΩ 1/16W J
C624	NCF21CZ-105X	C CAPACITOR	1uF 16V Z	R166	NRSA63J-103X	MG RESISTOR	10kΩ 1/16W J
C625	QETN1CM-107Z	E CAPACITOR	100uF 16V M	R167	NRSA63J-102X	MG RESISTOR	1kΩ 1/16W J
C626	QETN1EM-108Z	E CAPACITOR	1000uF 25V M	R168	NRSA63J-101X	MG RESISTOR	100Ω 1/16W J
C627	QETN1HM-474Z	E CAPACITOR	0.47uF 50V M	R169	NRSA63J-561X	MG RESISTOR	560Ω 1/16W J
C628	QETN1EM-108Z	E CAPACITOR	1000uF 25V M	R171	NRSA63J-103X	MG RESISTOR	10kΩ 1/16W J
C629	QETN1EM-108Z	E CAPACITOR	1000uF 25V M	R201	NRSA63J-223X	MG RESISTOR	22kΩ 1/16W J
C636	QETN1HM-105Z	E CAPACITOR	1uF 50V M	R212	NRSA63J-272X	MG RESISTOR	2.7kΩ 1/16W J
C637	QETN1HM-105Z	E CAPACITOR	1uF 50V M	R215	NRSA63J-562X	MG RESISTOR	5.6kΩ 1/16W J
C700	NCB31HK-102X	C CAPACITOR	1000pF 50V K	R216	NRSA63J-562X	MG RESISTOR	5.6kΩ 1/16W J
C701	QETN1HM-106Z	E CAPACITOR	10uF 50V M	R217	NRSA63J-102X	MG RESISTOR	1kΩ 1/16W J
C702	QETN1HM-106Z	E CAPACITOR	10uF 50V M	R222	NRSA63J-0R0X	MG RESISTOR	0Ω 1/16W J
C703	QETN1HM-106Z	E CAPACITOR	10uF 50V M	R227	NRSA63J-104X	MG RESISTOR	100kΩ 1/16W J
C704	QETN1CM-107Z	E CAPACITOR	100uF 16V M	R231	NRSA63J-182X	MG RESISTOR	1.8kΩ 1/16W J
C705	NCB31HK-103X	C CAPACITOR	0.01uF 50V K	R237	NRSA63J-392X	MG RESISTOR	3.9kΩ 1/16W J
C706	QETN1HM-105Z	E CAPACITOR	1uF 50V M	R238	NRSA63J-473X	MG RESISTOR	47kΩ 1/16W J
C708	NDC31HJ-220X	C CAPACITOR	22pF 50V J	R241	NRSA63J-332X	MG RESISTOR	3.3kΩ 1/16W J
C709	NDC31HJ-220X	C CAPACITOR	22pF 50V J	R243	NRSA63J-152X	MG RESISTOR	1.5kΩ 1/16W J
C711	QETN1CM-107Z	E CAPACITOR	100uF 16V M	R281	NRSA63J-182X	MG RESISTOR	1.8kΩ 1/16W J
C712	NCB31HK-103X	C CAPACITOR	0.01uF 50V K	R282	NRSA63J-392X	MG RESISTOR	3.9kΩ 1/16W J
C716	QETN1HM-106Z	E CAPACITOR	10uF 50V M	R283	NRSA63J-681X	MG RESISTOR	680Ω 1/16W J
C728	NCB31HK-103X	C CAPACITOR	0.01uF 50V K	R286	NRSA63J-472X	MG RESISTOR	4.7kΩ 1/16W J
C807	QETN1AM-477Z	E CAPACITOR	470uF 10V M	R287	NRSA63J-101X	MG RESISTOR	100Ω 1/16W J
C815	NCB31HK-103X	C CAPACITOR	0.01uF 50V K	R288	NRSA63J-471X	MG RESISTOR	470Ω 1/16W J
C853	QETN1CM-227Z	E CAPACITOR	220uF 16V M	R289	NRSA63J-154X	MG RESISTOR	150kΩ 1/16W J
C854	QETN1CM-227Z	E CAPACITOR	220uF 16V M	R290	NRSA63J-561X	MG RESISTOR	560Ω 1/16W J
C856	QETN1CM-227Z	E CAPACITOR	220uF 16V M	R292	NRSA63J-124X	MG RESISTOR	120kΩ 1/16W J
C857	QETN1CM-477Z	E CAPACITOR	470uF 16V M	R293	NRSA63J-224X	MG RESISTOR	220kΩ 1/16W J
△C901	QFZ9072-104	MM CAPACITOR	0.1uF AC250V K	R301	NRSA63J-222X	MG RESISTOR	2.2kΩ 1/16W J
△C902	QFZ9072-473	MM CAPACITOR	0.047uF AC250V K	R302	NRSA63J-222X	MG RESISTOR	2.2kΩ 1/16W J
△C904	QCZ9054-102	C CAPACITOR	1000pF AC250V Z	R303	NRSA63J-222X	MG RESISTOR	2.2kΩ 1/16W J
△C905	QCZ9054-102	C CAPACITOR	1000pF AC250V Z	R304	NRSA63J-101X	MG RESISTOR	100Ω 1/16W J
△C906	QCZ9054-102	C CAPACITOR	1000pF AC250V Z	R305	NRSA63J-101X	MG RESISTOR	100Ω 1/16W J
C907	QEZO169-477	E CAPACITOR	470uF 200V M	R306	NRSA63J-101X	MG RESISTOR	100Ω 1/16W J
△C908	QCZ9054-102	C CAPACITOR	1000pF AC250V Z	R354	NRSA63J-0R0X	MG RESISTOR	0Ω 1/16W J
C912	QCZ0340-222	C CAPACITOR	2200pF 2kV K	R355	NRSA63J-0R0X	MG RESISTOR	0Ω 1/16W J
C913	QFLC1HJ-471Z	M CAPACITOR	470pF 50V J	R356	NRSA63J-123X	MG RESISTOR	12kΩ 1/16W J
C914	QETN1HM-107Z	E CAPACITOR	100uF 50V M	R359	NRSA63J-103X	MG RESISTOR	10kΩ 1/16W J
C916	NDC31HJ-331X	C CAPACITOR	330pF 50V J	R360	NCB31HK-103X	C CAPACITOR	0.01uF 50V K
C917	NCB31HK-182X	C CAPACITOR	1800pF 50V K	R421	NRSA63J-822X	MG RESISTOR	8.2kΩ 1/16W J
C918	NCB21HK-104X	C CAPACITOR	0.1uF 50V K	R423	NRSA63J-393X	MG RESISTOR	39kΩ 1/16W J
C919	QFP32GJ-103	PP CAPACITOR	0.01uF 400V J	R424	NRSA63J-393X	MG RESISTOR	39kΩ 1/16W J
C931	QEZO203-107	E CAPACITOR	100uF 160V M	R426	NRSA63J-183X	MG RESISTOR	18kΩ 1/16W J
C933	QETN1CM-108Z	E CAPACITOR	1000uF 16V M	R427	QRT029J-1R5	MF RESISTOR	1.5Ω 2W J
C934	NDC31HJ-151X	C CAPACITOR	150pF 50V J	R429	NRSA63J-272X	MG RESISTOR	2.7kΩ 1/16W J
C935	QETN1EM-108Z	E CAPACITOR	1000uF 25V M	R430	NRSA63J-0R0X	MG RESISTOR	0Ω 1/16W J
C937	QCZ0340-102	C CAPACITOR	1000pF 2kV K	R431	NRSA63J-152X	MG RESISTOR	1.5kΩ 1/16W J
C938	QETN1CM-477Z	E CAPACITOR	470uF 16V M	R432	NRSA63J-101X	MG RESISTOR	100Ω 1/16W J
C939	QCB32HK-152Z	C CAPACITOR	1500pF 500V K	R433	NRSA63J-681X	MG RESISTOR	680Ω 1/16W J
C941	QCB32HK-102Z	C CAPACITOR	1000pF 500V K	R434	QRL029J-181	OMF RESISTOR	180Ω 2W J
C942	QEHR1HM-105Z	E CAPACITOR	1uF 50V M	R435	QRE121J-102Y	C RESISTOR	1kΩ 1/2W J
C951	QETN1EM-477Z	E CAPACITOR	470uF 25V M	R441	NRSA63J-0R0X	MG RESISTOR	0Ω 1/16W J
C952	QETN1CM-227Z	E CAPACITOR	220uF 16V M	R447	NRSA63J-104X	MG RESISTOR	100kΩ 1/16W J
C971	QETN1CM-107Z	E CAPACITOR	100uF 16V M	R448	NRSA63J-473X	MG RESISTOR	47kΩ 1/16W J
C972	QETN1EM-476Z	E CAPACITOR	47uF 25V M	R449	NRSA63J-103X	MG RESISTOR	10kΩ 1/16W J
C973	QETN1HM-106Z	E CAPACITOR	10uF 50V M	R501	NRSA63J-0R0X	MG RESISTOR	0Ω 1/16W J
△C997	QCZ9052-102	C CAPACITOR	1000pF AC250V Z	R502	NRSA63J-271X	MG RESISTOR	270Ω 1/16W J
△C998	QCZ9074-103	C CAPACITOR	0.01uF 250V	R503	QRE121J-103Y	C RESISTOR	10kΩ 1/2W J
△C999	QCZ9074-103	C CAPACITOR	0.01uF 250V	R504	QRL039J-102	OMF RESISTOR	1kΩ 3W J
				R505	QRL039J-102	OMF RESISTOR	1kΩ 3W J
R002	NRSA63J-0R0X	MG RESISTOR	0Ω 1/16W J	R511	QRE121J-220Y	C RESISTOR	22Ω 1/2W J
R003	NRSA63J-101X	MG RESISTOR	100Ω 1/16W J	R512	QRE121J-681Y	C RESISTOR	680Ω 1/2W J
R004	NRSA63J-101X	MG RESISTOR	100Ω 1/16W J	R523	QRJ146J-333X	UNF C RESISTOR	33kΩ 1/4W J
R005	NRSA63J-0R0X	MG RESISTOR	0Ω 1/16W J	R526	QRE121J-272Y	C RESISTOR	2.7kΩ 1/2W J
R008	NRSA63J-820X	MG RESISTOR	82Ω 1/16W J	R527	QRE121J-154Y	C RESISTOR	150kΩ 1/2W J
R009	NRSA63J-682X	MG RESISTOR	6.8kΩ 1/16W J	R528	QRE121J-154Y	C RESISTOR	150kΩ 1/2W J
R101	NRSA63J-562X	MG RESISTOR	5.6kΩ 1/16W J	R529	NRSA63J-331X	MG RESISTOR	330Ω 1/16W J
R102	NRSA63J-182X	MG RESISTOR	1.8kΩ 1/16W J	R531	QRJ146J-391X	UNF C RESISTOR	390Ω 1/4W J
R103	QRE121J-101Y	C RESISTOR	100Ω 1/2W J	R532	NRSA63J-273X	MG RESISTOR	27kΩ 1/16W J
R104	NRSA63J-180X	MG RESISTOR	18Ω 1/16W J	R533	NRSA63J-123X	MG RESISTOR	12kΩ 1/16W J
R105	NRSA63J-270X	MG RESISTOR	27Ω 1/16W J	R534	NRSA63J-123X	MG RESISTOR	12kΩ 1/16W J
R111	NRSA63J-394X	MG RESISTOR	390kΩ 1/16W J	△R535	NRVA02D-222X	CMF RESISTOR	2.2kΩ 1/10W D
R112	NRSA63J-334X	MG RESISTOR	330kΩ 1/16W J	△R537	NRVA02D-752X	CMF RESISTOR	7.5kΩ 1/10W D

△Ref No.	Part No.	Part Name	Description Local	△Ref No.	Part No.	Part Name	Description Local
R538	NRSA63J-333X	MG RESISTOR	33kΩ 1/16W J	R979	QRT029J-1R2	MF RESISTOR	1.2Ω 2W J
R543	QRE121J-122Y	C RESISTOR	1.2kΩ 1/2W J	R980	QRT029J-1R2	MF RESISTOR	1.2Ω 2W J
R544	QRE121J-392Y	C RESISTOR	3.9kΩ 1/2W J	△R998	QRZ9041-275	C RESISTOR	2.7MΩ 1/2W K
R545	QRE121J-822Y	C RESISTOR	8.2kΩ 1/2W J	R999	QRE121J-121Y	C RESISTOR	120Ω 1/2W J
R546	NRSA63J-331X	MG RESISTOR	330Ω 1/16W J	L001	QLL244K-560Z	COIL	56uH K
R547	NRSA63J-104X	MG RESISTOR	100kΩ 1/16W J	L101	QLL2014-R22	COIL	0.22uH 100mA L
R548	QRE121J-152Y	C RESISTOR	1.5kΩ 1/2W J	L113	QLL244K-4R7Z	COIL	4.7uH K
R553	QRL039J-180	OMF RESISTOR	18Ω 3W J	L131	QLL244K-150Z	COIL	15uH K
△R554	QRK126J-150X	UNF C RESISTOR	15Ω 1/2W J	L161	QLL244K-220Z	COIL	22uH K
R555	QRX029J-3R3	MF RESISTOR	3.3Ω 2W J	L232	QLL244K-560Z	COIL	56uH K
R601	NRSA63J-750X	MG RESISTOR	75Ω 1/16W J	L241	QLL244K-220Z	COIL	22uH K
R602	NRSA63J-750X	MG RESISTOR	75Ω 1/16W J	L391	QLL244K-220Z	COIL	22uH K
R603	NRSA63J-750X	MG RESISTOR	75Ω 1/16W J	L511	QQR1027-003	LINEARITY COIL	
R610	NRSA63J-0R0X	MG RESISTOR	0Ω 1/16W J	L512	QQLZ036-821	COIL	820uH K
R611	NRSA63J-0R0X	MG RESISTOR	0Ω 1/16W J	L521	QQLZ026-121	COIL	120uH ±7%
R612	NRSA63J-0R0X	MG RESISTOR	0Ω 1/16W J	L701	QLL244K-220Z	COIL	22uH K
R613	NRSA63J-0R0X	MG RESISTOR	0Ω 1/16W J	L702	QLL244K-220Z	COIL	22uH K
R621	NRSA63J-682X	MG RESISTOR	6.8kΩ 1/16W J	L704	QLL244K-220Z	COIL	22uH K
R622	NRSA63J-681X	MG RESISTOR	680Ω 1/16W J	L705	QLL244K-220Z	COIL	22uH K
R623	NRSA63J-682X	MG RESISTOR	6.8kΩ 1/16W J	L931	QQL26AK-470Z	COIL	47uH K
R624	NRSA63J-681X	MG RESISTOR	680Ω 1/16W J	L933	QQL26AK-470Z	COIL	47uH K
R626	NRSA63J-223X	MG RESISTOR	22kΩ 1/16W J	L940	QQR0582-001Z	FERRITE BEADS	
R627	NRSA63J-223X	MG RESISTOR	22kΩ 1/16W J	T111	QQR0907-001	IFT	
R631	NRSA63J-333X	MG RESISTOR	33kΩ 1/16W J	T501	CE42034-002	HOR DRIVE TRANS	
R632	NRSA63J-223X	MG RESISTOR	22kΩ 1/16W J	△T502	QQH0121-001	FB TRANSF	
R638	NRSA63J-0R0X	MG RESISTOR	0Ω 1/16W J	△T921	QQS0138-001	SW TRANSF	
R639	NRSA63J-0R0X	MG RESISTOR	0Ω 1/16W J	△T951	QQT0372-001	POWER TRANSF	
R651	NRSA63J-0R0X	MG RESISTOR	0Ω 1/16W J	CF001	QAX0349-001	C TRAP	47.25MHz
R652	NRSA63J-0R0X	MG RESISTOR	0Ω 1/16W J	CF131	QAX0639-001Z	C TRAP	4.500MHz
R653	NRSA63J-0R0X	MG RESISTOR	0Ω 1/16W J	CF161	QAX0642-001Z	C FILTER	4.500MHz
R700	NRSA63J-102X	MG RESISTOR	1kΩ 1/16W J	CN001	QGB1505J1-35	CONNECTOR	B-B (1-35)
R701	NRSA63J-103X	MG RESISTOR	10kΩ 1/16W J	CN004	QGA2501C5-05Z	CONNECTOR	W-B (1-5)
R702	NRSA63J-102X	MG RESISTOR	1kΩ 1/16W J	CN005	QGA2501C5-04Z	CONNECTOR	W-B (1-4)
R704	NRSA63J-472X	MG RESISTOR	4.7kΩ 1/16W J	CN007	QGA2501C5-06Z	CONNECTOR	W-B (1-6)
R705	NRSA63J-472X	MG RESISTOR	4.7kΩ 1/16W J	CN00C	QGA2501F1-06	CONNECTOR	W-B (1-6)
R706	NRSA63J-472X	MG RESISTOR	4.7kΩ 1/16W J	CN0B1	QGA2501C5-03Z	CONNECTOR	W-B (1-3)
R707	NRSA63J-103X	MG RESISTOR	10kΩ 1/16W J	CN0E1	CE41507-001P	LV CONNECTOR	
R708	NRSA63J-101X	MG RESISTOR	100Ω 1/16W J	CN0HV	QGZ5004C1-06	CONNECTOR	(1-6)
R709	NRSA63J-101X	MG RESISTOR	100Ω 1/16W J	CN0S1	QGA2501C5-03Z	CONNECTOR	W-B (1-3)
R715	NRSA63J-103X	MG RESISTOR	10kΩ 1/16W J	CN0SS	QGA2501C5-04Z	CONNECTOR	W-B (1-4)
R718	NRSA63J-223X	MG RESISTOR	22kΩ 1/16W J	△CP932	ICP-N70-T	IC PROTECTOR	2.5A
R721	NRSA63J-102X	MG RESISTOR	1kΩ 1/16W J	△CP936	ICP-N70-T	IC PROTECTOR	2.5A
R728	NRSA63J-102X	MG RESISTOR	1kΩ 1/16W J	△F901	QMF0007-5R0J1	FUSE	5A
R729	NRSA63J-223X	MG RESISTOR	22kΩ 1/16W J	△F905	QMFZ049-5R0Z-E	FUSE	5A 125V
R731	NRSA63J-101X	MG RESISTOR	100Ω 1/16W J	FC901	CEMG002-001Z	FUSE CLIP	
R732	NRSA63J-101X	MG RESISTOR	100Ω 1/16W J	FC902	CEMG002-001Z	FUSE CLIP	
R733	NRSA63J-472X	MG RESISTOR	4.7kΩ 1/16W J	△FR525	QZR9017-4R7	FUSI RESISTOR	4.7Ω 1/4W J
R734	NRSA63J-472X	MG RESISTOR	4.7kΩ 1/16W J	△FR527	QRZ9011-470	FUSI RESISTOR	47Ω 1/2W J
R739	NRSA63J-0R0X	MG RESISTOR	0Ω 1/16W J	HS001	CEHE011-001WU	HEAT SINK	
R740	NRSA63J-103X	MG RESISTOR	10kΩ 1/16W J	HS002	LC31678-001A	HEAT SINK/AL-F/	
R764	NRSA63J-221X	MG RESISTOR	220Ω 1/16W J	HS003	LC31677-001A	HEAT SINK/AL-F/	
R765	NRSA63J-221X	MG RESISTOR	220Ω 1/16W J	HS004	CEHE015-001WU	HEAT SINK	
R766	NRSA63J-221X	MG RESISTOR	220Ω 1/16W J	HS005	CM42862-00G-H	HEAT SINK ASSY	
R767	NRSA63J-221X	MG RESISTOR	220Ω 1/16W J	HS007	CEHT11B-002QS	HEAT SINK	
R769	NRSA63J-682X	MG RESISTOR	6.8kΩ 1/16W J	J601	QNN0349-002	PIN JACK	COMP IN
R772	NRSA63J-103X	MG RESISTOR	10kΩ 1/16W J	K401	QQR0621-002Z	FERRITE BEADS	
R811	NRSA63J-473X	MG RESISTOR	47kΩ 1/16W J	K912	QQR0582-001Z	FERRITE BEADS	
R816	NRSA63J-124X	MG RESISTOR	120kΩ 1/16W J	K916	QQR0582-001Z	FERRITE BEADS	
R821	NRSA63J-184X	MG RESISTOR	180kΩ 1/16W J	K917	QQR0582-001Z	FERRITE BEADS	
R822	NRSA63J-0R0X	MG RESISTOR	0Ω 1/16W J	K918	QQR0582-001Z	FERRITE BEADS	
R827	NRSA63J-102X	MG RESISTOR	1kΩ 1/16W J	K931	QQR0582-001Z	FERRITE BEADS	
R855	QRG039J-100	OMF RESISTOR	10Ω 3W J	K932	QQR0582-001Z	FERRITE BEADS	
R857	QRL029J-470	OMF RESISTOR	47Ω 2W J	K933	QQR0621-002Z	FERRITE BEADS	
R858	QRL029J-820	OMF RESISTOR	82Ω 2W J	K935	QQR0582-001Z	FERRITE BEADS	
R901	QRF074K-R47	UNF WWW RESISTOR	0.47Ω 7W K	LC601	QQR1199-001	EMI FILTER	
R909	QRG01GJ-470	OMF RESISTOR	47Ω 1W J	LC602	QQR1199-001	EMI FILTER	
R911	QRE121J-223Y	C RESISTOR	22kΩ 1/2W J	LC603	QQR1199-001	EMI FILTER	
R912	QRT029J-R22	MF RESISTOR	0.22Ω 2W J	△LF901	QQR1085-003	LINE FILTER	
R913	QRT029J-R22	MF RESISTOR	0.22Ω 2W J	△RY951	QSK0086-001	RELAY	
△R914	QRK126J-681X	UNF C RESISTOR	680Ω 1/2W J	S421	QSL4A13-C02	LEVER SWITCH	V CENTER
△R915	QRK129J-6R8	UNF C RESISTOR	6.8Ω 1/2W J	SF101	QAX0723-001	SAW FILTER	
△R917	QRK126J-332X	UNF C RESISTOR	3.3kΩ 1/2W J	△TH901	QAD0132-3R0	P THERMISTOR	3Ω
R918	QRE121J-222Y	C RESISTOR	2.2kΩ 1/2W J	△TU001	QAZU0305-001	TUNER	
R919	QRE121J-684Y	C RESISTOR	680kΩ 1/2W J	△VA901	ERZV10V621CS	ZNR	
R924	QRE121J-222Y	C RESISTOR	2.2kΩ 1/2W J	W1	NRSA63J-0R0X	MG RESISTOR	0Ω 1/16W J
R930	QRE121J-223Y	C RESISTOR	22kΩ 1/2W J	W2	NRSA63J-0R0X	MG RESISTOR	0Ω 1/16W J
R939	QRT039J-2R2	MF RESISTOR	2.2Ω 3W J	W3	NRSA63J-0R0X	MG RESISTOR	0Ω 1/16W J
R940	QRE121J-181Y	C RESISTOR	180Ω 1/2W J	W4	NRSA63J-0R0X	MG RESISTOR	0Ω 1/16W J
R941	QRL029J-183	OMF RESISTOR	18kΩ 2W J	W5	NRSA63J-0R0X	MG RESISTOR	0Ω 1/16W J
R950	NRSA63J-0R0X	MG RESISTOR	0Ω 1/16W J	W6	NRSA63J-0R0X	MG RESISTOR	0Ω 1/16W J
R951	NRSA63J-473X	MG RESISTOR	47kΩ 1/16W J	W7	NRSA63J-0R0X	MG RESISTOR	0Ω 1/16W J
R952	NRSA63J-102X	MG RESISTOR	1kΩ 1/16W J	W8	NRSA63J-0R0X	MG RESISTOR	0Ω 1/16W J
R953	QRE121J-820Y	C RESISTOR	82Ω 1/2W J	W9	NRSA63J-0R0X	MG RESISTOR	0Ω 1/16W J
R973	QRE121J-272Y	C RESISTOR	2.7kΩ 1/2W J	W10	NRSA63J-0R0X	MG RESISTOR	0Ω 1/16W J
R975	QRE121J-223Y	C RESISTOR	22kΩ 1/2W J	W11	NRSA63J-0R0X	MG RESISTOR	0Ω 1/16W J
R977	QRE121J-473Y	C RESISTOR	47kΩ 1/2W J				
R978	NRSA63J-333X	MG RESISTOR	33kΩ 1/16W J				

△Ref No.	Part No.	Part Name	Description Local
W12	NRSA63J-0R0X	MG RESISTOR	0Ω 1/16W J
W13	NRSA63J-0R0X	MG RESISTOR	0Ω 1/16W J
W14	NRSA63J-0R0X	MG RESISTOR	0Ω 1/16W J
W15	NRSA63J-0R0X	MG RESISTOR	0Ω 1/16W J
W16	NRSA63J-0R0X	MG RESISTOR	0Ω 1/16W J
W17	NRSA63J-0R0X	MG RESISTOR	0Ω 1/16W J
W18	NRSA63J-0R0X	MG RESISTOR	0Ω 1/16W J
W19	NRSA63J-0R0X	MG RESISTOR	0Ω 1/16W J
W20	NRSA63J-0R0X	MG RESISTOR	0Ω 1/16W J
W21	NRSA63J-0R0X	MG RESISTOR	0Ω 1/16W J
W22	NRSA63J-0R0X	MG RESISTOR	0Ω 1/16W J
W23	NRSA63J-0R0X	MG RESISTOR	0Ω 1/16W J
W24	NRSA63J-0R0X	MG RESISTOR	0Ω 1/16W J
W25	NRSA63J-0R0X	MG RESISTOR	0Ω 1/16W J
W26	NRSA63J-0R0X	MG RESISTOR	0Ω 1/16W J
W27	NRSA63J-0R0X	MG RESISTOR	0Ω 1/16W J
W28	NRSA63J-0R0X	MG RESISTOR	0Ω 1/16W J
X701	QAX0717-001Z	CRYSTAL	8.000MHz
Y402	NRSA63J-0R0X	MG RESISTOR	0Ω 1/16W J
Y405	NRSA63J-0R0X	MG RESISTOR	0Ω 1/16W J
Y411	NRSA63J-0R0X	MG RESISTOR	0Ω 1/16W J
Y414	NRSA63J-0R0X	MG RESISTOR	0Ω 1/16W J
Y701	QRE141J-0R0Y	C RESISTOR	0Ω 1/4W J

AV SELECTER PW BOARD ASS'Y (SGE-5062A-M2)

REFER TO PARTS LIST IN PAGE 3-8 FOR THIS P.W. BOARD.

FRONT TERMINAL PW BOARD ASS'Y (SGE-6061A-M2)

REFER TO PARTS LIST IN PAGE 3-9 FOR THIS P.W. BOARD.

FRONT CONTROL PW BOARD ASS'Y (SGE-7061A-M2)

REFER TO PARTS LIST IN PAGE 3-9 FOR THIS P.W. BOARD.

CRT SOCKET PW BOARD ASS'Y (SGE-3062A-M2)

△Ref No.	Part No.	Part Name	Description Local
Q3351	2SC4544-LB	POW TRANSISTOR	
Q3352	2SC4544-LB	POW TRANSISTOR	
Q3353	2SC4544-LB	POW TRANSISTOR	
Q3391	2SA933AS/QR-T	TRANSISTOR	
D3389	MTZJ5.1A-T2	Z DIODE	
D3390	1SS133-T2	DIODE	
D3391	1SS133-T2	DIODE	
D3393	1SS133-T2	DIODE	
D3394	1SS133-T2	DIODE	
D3395	1SS133-T2	DIODE	
C3354	NDC31HJ-331X	C CAPACITOR	330pF 50V J
C3355	NDC31HJ-331X	C CAPACITOR	330pF 50V J
C3356	NDC31HJ-391X	C CAPACITOR	390pF 50V J
C3357	QETN1CM-107Z	E CAPACITOR	100uF 16V M
C3382	QCZ0121-102	C CAPACITOR	1000pF 3KV
C3391	QETN1AM-227Z	E CAPACITOR	220uF 10V M
C3392	NDC31HJ-101X	C CAPACITOR	100pF 50V J
R3354	NRSA63J-181X	MG RESISTOR	180Ω 1/16W J
R3355	NRSA63J-181X	MG RESISTOR	180Ω 1/16W J
R3356	NRSA63J-181X	MG RESISTOR	180Ω 1/16W J
R3357	NRSA63J-101X	MG RESISTOR	100Ω 1/16W J
R3358	NRSA63J-101X	MG RESISTOR	100Ω 1/16W J
R3359	NRSA63J-101X	MG RESISTOR	100Ω 1/16W J
R3360	QRZ0111-152	C RESISTOR	1.5kΩ 1/2W K
R3361	QRZ0111-152	C RESISTOR	1.5kΩ 1/2W K
R3362	QRZ0111-152	C RESISTOR	1.5kΩ 1/2W K
R3363	QRG029J-103	OMF RESISTOR	10kΩ 2W J
R3364	QRG029J-103	OMF RESISTOR	10kΩ 2W J
R3365	QRG029J-103	OMF RESISTOR	10kΩ 2W J
R3366	NRSA63J-222X	MG RESISTOR	2.2kΩ 1/16W J
R3367	NRSA63J-222X	MG RESISTOR	2.2kΩ 1/16W J
R3368	NRSA63J-222X	MG RESISTOR	2.2kΩ 1/16W J
R3372	NRSA63J-221X	MG RESISTOR	220Ω 1/16W J
R3373	NRSA63J-221X	MG RESISTOR	220Ω 1/16W J
R3374	NRSA63J-221X	MG RESISTOR	220Ω 1/16W J
R3375	NRSA63J-0R0X	MG RESISTOR	0Ω 1/16W J
R3376	NRSA63J-0R0X	MG RESISTOR	0Ω 1/16W J
R3377	NRSA63J-0R0X	MG RESISTOR	0Ω 1/16W J
R3381	QRE121J-394Y	C RESISTOR	390kΩ 1/2W J
R3391	NRSA63J-152X	MG RESISTOR	1.5kΩ 1/16W J
R3392	NRSA63J-392X	MG RESISTOR	3.9kΩ 1/16W J
R3393	NRSA63J-102X	MG RESISTOR	1kΩ 1/16W J
R3394	NRSA63J-102X	MG RESISTOR	1kΩ 1/16W J
R3395	NRSA63J-102X	MG RESISTOR	1kΩ 1/16W J
L3381	QQL244K-101Z	PEAKING COIL	100uH K
△SK3351	QNZ0537-001	CRT SOCKET	
W3001	NRSA02J-0R0X	MG RESISTOR	0Ω 1/10W J

[AV-32432/MA]
MAIN PW BOARD ASS'Y (SGE-1061A-M2)

△Ref No.	Part No.	Part Name	Description	Local
	IC101	M52342SP	IC	
	IC201	TM8812CPDNG4N35	IC(MCU)	
	IC421	LA7841	IC	
	IC621	LA4485	IC	
	IC702	AT24C04W-32430	IC	(SERVICE)
	IC703	S-80840CNY-T	IC	
	IC704	AN78L05-T	IC	
	IC852	AN7809F	IC	
	IC853	AN7805F	IC	
△	IC911	STR-G6624/F8	IC	
△	IC921	SE135N	IC	
	Q001	UN2212-X	DIGI TRANSISTOR	
	Q101	2SC5083/L-P/-T	TRANSISTOR	
	Q131	2SB709A/QR/-X	TRANSISTOR	
	Q161	2SD601A/QR/-X	TRANSISTOR	
	Q211	2SD601A/QR/-X	TRANSISTOR	
	Q232	2SD601A/QR/-X	TRANSISTOR	
	Q233	2SD601A/QR/-X	TRANSISTOR	
	Q352	2SD601A/QR/-X	TRANSISTOR	
	Q431	UN2212-X	DIGI TRANSISTOR	
	Q501	2SC4212/Z1/	TRANSISTOR	
△	Q511	2SD2645-YD	TRANSISTOR	H OUT
	Q531	2SC2785/JH/-T	SI TRANSISTOR	
	Q532	2SB709A/QR/-X	TRANSISTOR	
	Q541	2SB709A/QR/-X	TRANSISTOR	
	Q542	2SB709A/QR/-X	TRANSISTOR	
	Q543	2SD1408/OY/-LB	POW TRANSISTOR	
	Q622	2SD601A/QR/-X	TRANSISTOR	
	Q623	UN2212-X	DIGI TRANSISTOR	
	Q701	2SB709A/QR/-X	TRANSISTOR	
	Q951	2SD1383K/AB/-X	TRANSISTOR	
	Q971	2SA1208/ST/Z1-T	TRANSISTOR	
	D305	1SS133-T2	DIODE	
	D306	1SS133-T2	DIODE	
	D307	1SS133-T2	DIODE	
	D308	1SS133-T2	DIODE	
	D309	1SS133-T2	DIODE	
	D310	1SS133-T2	DIODE	
	D352	MTZJ9.1C-T2	Z DIODE	
	D353	1SS133-T2	DIODE	
	D354	MTZJ3.3A-T2	Z DIODE	
	D421	1N4003-T2	SI DIODE	
	D422	MTZJ75-T2	Z DIODE	
	D432	1SS133-T2	DIODE	
	D501	RH3G-F1	SI DIODE	
	D502	RU3AM-LFC4	SI DIODE	
	D521	RH1S-T3	SI DIODE	
	D523	RGP10J-5025-T3	SI DIODE	
	D525	1SS81-T5	SI DIODE	
	D526	1SS81-T5	SI DIODE	
	D527	1SR124-400A-T2	SI DIODE	
	D529	MTZJ5.1C-T2	Z DIODE	
△	D531	MA4068N/Z1/-T2	Z DIODE	
	D535	1SS133-T2	DIODE	
	D537	1SR35-400A-T2	SI DIODE	
	D601	MTZJ9.1C-T2	Z DIODE	
	D602	MTZJ9.1C-T2	Z DIODE	
	D603	MTZJ9.1C-T2	Z DIODE	
	D700	MTZJ5.6B-T2	Z DIODE	
	D701	1SS133-T2	DIODE	
	D703	MTZJ5.6B-T2	Z DIODE	
	D704	MTZJ5.6B-T2	Z DIODE	
	D705	1SS133-T2	DIODE	
	D706	MTZJ5.6B-T2	Z DIODE	
	D707	MTZJ5.6B-T2	Z DIODE	
	D708	MTZJ5.6B-T2	Z DIODE	
	D709	MTZJ5.6B-T2	Z DIODE	
	D723	MTZJ5.6B-T2	Z DIODE	
△	D901	GSIB460-S1	BRIDGE DIODE	
	D910	MA700A-T2	SB DIODE	
	D911	RGP10J-5025-T3	SI DIODE	
	D912	RGP10J-5025-T3	SI DIODE	
	D913	RGP10J-5025-T3	SI DIODE	
	D914	1SS133-T2	DIODE	
	D915	SARS01-T2	SI DIODE	
	D917	MTZJ30A-T2	Z DIODE	
	D918	MTZJ5.1C-T2	Z DIODE	
	D920	1SS133-T2	DIODE	
	D931	RU30A-F1	SI DIODE	
	D933	RU3YX-LFC4	SI DIODE	
	D935	RU3YX-LFC4	SI DIODE	

△Ref No.	Part No.	Part Name	Description	Local
	D941	MTZJ33A-T2	Z DIODE	
	D945	MTZJ9.1B-T2	Z DIODE	
	D952	1SS133-T2	DIODE	
	D953	1SS133-T2	DIODE	
	D954	1N4002G-T2	SI DIODE	
	D955	1N4002G-T2	SI DIODE	
	D956	1N4002G-T2	SI DIODE	
	D957	1N4002G-T2	SI DIODE	
	D972	MTZJ15C-T2	Z DIODE	
	D973	1SS133-T2	DIODE	
△	PC921	TLP421F/D4-GR/	PHOTO COUPLER	
	C001	QETN1HM-475Z	E CAPACITOR	4.7uF 50V M
	C003	QETN1HM-106Z	E CAPACITOR	10uF 50V M
	C004	QETN1CM-108Z	E CAPACITOR	1000uF 16V M
	C006	QETN1EM-476Z	E CAPACITOR	47uF 25V M
	C101	NCB31HK-103X	C CAPACITOR	0.01uF 50V K
	C102	NCB31HK-103X	C CAPACITOR	0.01uF 50V K
	C104	NCB31HK-103X	C CAPACITOR	0.01uF 50V K
	C105	NCB31HK-103X	C CAPACITOR	0.01uF 50V K
	C106	QETN1EM-476Z	E CAPACITOR	47uF 25V M
	C107	NCB31HK-103X	C CAPACITOR	0.01uF 50V K
	C113	NCB31HK-103X	C CAPACITOR	0.01uF 50V K
	C114	NCB31HK-103X	C CAPACITOR	0.01uF 50V K
	C116	QFVF1HJ-224Z	MF CAPACITOR	0.22uF 50V J
	C117	QETN1EM-476Z	E CAPACITOR	47uF 25V M
	C118	NCB31HK-103X	C CAPACITOR	0.01uF 50V K
	C119	NDC31HJ-681X	C CAPACITOR	680pF 50V J
	C120	QETN1HM-474Z	E CAPACITOR	0.47uF 50V M
	C124	NCB31HK-103X	C CAPACITOR	0.01uF 50V K
	C131	NCB31HK-103X	C CAPACITOR	0.01uF 50V K
	C161	QETN1HM-106Z	E CAPACITOR	10uF 50V M
	C163	NDC31HJ-470X	C CAPACITOR	47pF 50V J
	C164	NDC31HJ-470X	C CAPACITOR	47pF 50V J
	C165	NCB31HK-103X	C CAPACITOR	0.01uF 50V K
	C166	NCB31HK-103X	C CAPACITOR	0.01uF 50V K
	C202	QETN1HM-105Z	E CAPACITOR	1uF 50V M
	C203	NCB31HK-152X	C CAPACITOR	1500pF 50V K
	C211	QENC1CM-106Z	BP E CAPACITOR	10uF 16V M
	C212	NDC31HJ-100X	C CAPACITOR	10pF 50V J
	C221	QETN1HM-106Z	E CAPACITOR	10uF 50V M
	C222	QFVF1HJ-104Z	MF CAPACITOR	0.1uF 50V J
	C223	NCB31HK-103X	C CAPACITOR	0.01uF 50V K
	C233	NDC31HJ-680X	C CAPACITOR	68pF 50V J
	C237	NCB31HK-103X	C CAPACITOR	0.01uF 50V K
	C241	NCB31HK-103X	C CAPACITOR	0.01uF 50V K
	C242	QETN1HM-225Z	E CAPACITOR	2.2uF 50V M
	C243	QETN1CM-107Z	E CAPACITOR	100uF 16V M
	C244	NCB31HK-103X	C CAPACITOR	0.01uF 50V K
	C281	QFVF1HJ-474Z	MF CAPACITOR	0.47uF 50V J
	C282	QETN1CM-107Z	E CAPACITOR	100uF 16V M
	C283	NCB31HK-103X	C CAPACITOR	0.01uF 50V K
	C284	QETN1HM-225Z	E CAPACITOR	2.2uF 50V M
	C285	NCB31HK-103X	C CAPACITOR	0.01uF 50V K
	C286	QETN1HM-106Z	E CAPACITOR	10uF 50V M
	C287	QETN1CM-107Z	E CAPACITOR	100uF 16V M
	C288	NCB31HK-103X	C CAPACITOR	0.01uF 50V K
	C352	QETN1CM-336Z	E CAPACITOR	33uF 16V M
	C354	NCB31HK-103X	C CAPACITOR	0.01uF 50V K
	C391	QETN1CM-107Z	E CAPACITOR	100uF 16V M
	C392	NCB31HK-103X	C CAPACITOR	0.01uF 50V K
	C422	QFN32AJ-102Z	M CAPACITOR	1000pF 100V J
	C424	QETN1VM-107Z	E CAPACITOR	100uF 35V M
	C425	QETN1VM-477Z	E CAPACITOR	470uF 35V M
	C427	QETN1HM-105Z	E CAPACITOR	1uF 50V M
	C428	QETN1EM-228	E CAPACITOR	2200uF 25V M
	C431	QFLC2AK-563Z	M CAPACITOR	0.056uF 100V K
	C432	QETN1EM-476Z	E CAPACITOR	47uF 25V M
	C433	QETN1EM-476Z	E CAPACITOR	47uF 25V M
	C435	NCB21HK-183X	C CAPACITOR	0.018uF 50V K
	C440	QCS32HJ-220Z	C CAPACITOR	22pF 500V J
	C501	QCB32HK-151Z	C CAPACITOR	150pF 500V K
	C502	QCB32HK-331Z	C CAPACITOR	330pF 500V K
	C503	QEHR2CM-105Z	E CAPACITOR	1uF 160V M
	C504	QEZ0203-107	E CAPACITOR	100uF 160V M
	C507	QEM61HK-475Z	E CAPACITOR	4.7uF 50V K
	C508	QEM61HK-475Z	E CAPACITOR	4.7uF 50V K
△	C510	QFZ0200-53Z	MPP CAPACITOR	5300pF 1.5kV H
△	C513	QFZ0198-133	MPP CAPACITOR	0.013uF 1.5KV
	C514	QFP32GJ-183	PP CAPACITOR	0.018uF 400V J
	C515	QFZ0199-564	MPP CAPACITOR	0.56uF 250V
	C516	QCB32HK-561Z	C CAPACITOR	560pF 500V K
	C521	QETN2EM-106Z	E CAPACITOR	10uF 250V M
	C523	QEHR1VM-108Z	E CAPACITOR	1000uF 35V M
	C525	QETN1VM-107Z	E CAPACITOR	100uF 35V M
	C526	QFV21HJ-824Z	MF CAPACITOR	0.82uF 50V J

△Ref No.	Part No.	Part Name	Description Local	△Ref No.	Part No.	Part Name	Description Local
C527	QFLC2AJ-103Z	M CAPACITOR	0.01uF 100V J	R117	NRSA63J-273X	MG RESISTOR	27kΩ 1/16W J
C531	QCB32HK-102Z	C CAPACITOR	1000pF 500V K	R118	NRSA63J-223X	MG RESISTOR	22kΩ 1/16W J
C533	QETN1HM-106Z	E CAPACITOR	10uF 50V M	R131	NRSA63J-102X	MG RESISTOR	1kΩ 1/16W J
C601	QETN1EM-476Z	E CAPACITOR	47uF 25V M	R132	NRSA63J-331X	MG RESISTOR	330Ω 1/16W J
C602	QETN1EM-476Z	E CAPACITOR	47uF 25V M	R133	NRSA63J-821X	MG RESISTOR	820Ω 1/16W J
C603	QETN1EM-476Z	E CAPACITOR	47uF 25V M	R134	NRSA63J-561X	MG RESISTOR	560Ω 1/16W J
C609	QFVF1HJ-104Z	MF CAPACITOR	0.1uF 50V J	R135	NRSA63J-102X	MG RESISTOR	1kΩ 1/16W J
C610	QFVF1HJ-104Z	MF CAPACITOR	0.1uF 50V J	R161	NRSA63J-332X	MG RESISTOR	3.3kΩ 1/16W J
C611	QFVF1HJ-104Z	MF CAPACITOR	0.1uF 50V J	R162	NRSA63J-0R0X	MG RESISTOR	0Ω 1/16W J
C621	NCB31HK-102X	C CAPACITOR	1000pF 50V K	R163	NRSA63J-223X	MG RESISTOR	22kΩ 1/16W J
C622	NCF21CZ-105X	C CAPACITOR	1uF 16V Z	R164	NRSA63J-102X	MG RESISTOR	1kΩ 1/16W J
C623	NCB31HK-102X	C CAPACITOR	1000pF 50V K	R165	NRSA63J-223X	MG RESISTOR	22kΩ 1/16W J
C624	NCF21CZ-105X	C CAPACITOR	1uF 16V Z	R166	NRSA63J-103X	MG RESISTOR	10kΩ 1/16W J
C625	QETN1CM-107Z	E CAPACITOR	100uF 16V M	R167	NRSA63J-102X	MG RESISTOR	1kΩ 1/16W J
C626	QETN1EM-108Z	E CAPACITOR	1000uF 25V M	R168	NRSA63J-101X	MG RESISTOR	100Ω 1/16W J
C627	QETN1HM-474Z	E CAPACITOR	0.47uF 50V M	R169	NRSA63J-561X	MG RESISTOR	560Ω 1/16W J
C628	QETN1EM-108Z	E CAPACITOR	1000uF 25V M	R171	NRSA63J-103X	MG RESISTOR	10kΩ 1/16W J
C629	QETN1EM-108Z	E CAPACITOR	1000uF 25V M	R201	NRSA63J-223X	MG RESISTOR	22kΩ 1/16W J
C636	QETN1HM-105Z	E CAPACITOR	1uF 50V M	R212	NRSA63J-272X	MG RESISTOR	2.7kΩ 1/16W J
C637	QETN1HM-105Z	E CAPACITOR	1uF 50V M	R215	NRSA63J-562X	MG RESISTOR	5.6kΩ 1/16W J
C700	NCB31HK-102X	C CAPACITOR	1000pF 50V K	R216	NRSA63J-562X	MG RESISTOR	5.6kΩ 1/16W J
C701	QETN1HM-106Z	E CAPACITOR	10uF 50V M	R217	NRSA63J-102X	MG RESISTOR	1kΩ 1/16W J
C702	QETN1HM-106Z	E CAPACITOR	10uF 50V M	R222	NRSA63J-0R0X	MG RESISTOR	0Ω 1/16W J
C703	QETN1HM-106Z	E CAPACITOR	10uF 50V M	R227	NRSA63J-104X	MG RESISTOR	100kΩ 1/16W J
C704	QETN1CM-107Z	E CAPACITOR	100uF 16V M	R231	NRSA63J-182X	MG RESISTOR	1.8kΩ 1/16W J
C705	NCB31HK-103X	C CAPACITOR	0.01uF 50V K	R237	NRSA63J-392X	MG RESISTOR	3.9kΩ 1/16W J
C706	QETN1HM-105Z	E CAPACITOR	1uF 50V M	R238	NRSA63J-473X	MG RESISTOR	47kΩ 1/16W J
C708	NDC31HJ-220X	C CAPACITOR	22pF 50V J	R241	NRSA63J-332X	MG RESISTOR	3.3kΩ 1/16W J
C709	NDC31HJ-220X	C CAPACITOR	22pF 50V J	R243	NRSA63J-152X	MG RESISTOR	1.5kΩ 1/16W J
C711	QETN1CM-107Z	E CAPACITOR	100uF 16V M	R281	NRSA63J-182X	MG RESISTOR	1.8kΩ 1/16W J
C712	NCB31HK-103X	C CAPACITOR	0.01uF 50V K	R282	NRSA63J-392X	MG RESISTOR	3.9kΩ 1/16W J
C716	QETN1HM-106Z	E CAPACITOR	10uF 50V M	R283	NRSA63J-681X	MG RESISTOR	680Ω 1/16W J
C728	NCB31HK-103X	C CAPACITOR	0.01uF 50V K	R286	NRSA63J-472X	MG RESISTOR	4.7kΩ 1/16W J
C807	QETN1AM-477Z	E CAPACITOR	470uF 10V M	R287	NRSA63J-101X	MG RESISTOR	100Ω 1/16W J
C815	NCB31HK-103X	C CAPACITOR	0.01uF 50V K	R288	NRSA63J-471X	MG RESISTOR	470Ω 1/16W J
C853	QETN1CM-227Z	E CAPACITOR	220uF 16V M	R289	NRSA63J-154X	MG RESISTOR	150kΩ 1/16W J
C854	QETN1CM-227Z	E CAPACITOR	220uF 16V M	R290	NRSA63J-561X	MG RESISTOR	560Ω 1/16W J
C856	QETN1CM-227Z	E CAPACITOR	220uF 16V M	R292	NRSA63J-124X	MG RESISTOR	120kΩ 1/16W J
C857	QETN1CM-477Z	E CAPACITOR	470uF 16V M	R293	NRSA63J-224X	MG RESISTOR	220kΩ 1/16W J
△C901	QFZ9072-104	MM CAPACITOR	0.1uF AC250V K	R301	NRSA63J-222X	MG RESISTOR	2.2kΩ 1/16W J
△C902	QFZ9072-473	MM CAPACITOR	0.047uF AC250V K	R302	NRSA63J-222X	MG RESISTOR	2.2kΩ 1/16W J
△C904	QCZ9054-102	C CAPACITOR	1000pF AC250V Z	R303	NRSA63J-222X	MG RESISTOR	2.2kΩ 1/16W J
△C905	QCZ9054-102	C CAPACITOR	1000pF AC250V Z	R304	NRSA63J-101X	MG RESISTOR	100Ω 1/16W J
△C906	QCZ9054-102	C CAPACITOR	1000pF AC250V Z	R305	NRSA63J-101X	MG RESISTOR	100Ω 1/16W J
C907	QEZ0169-477	E CAPACITOR	470uF 200V M	R306	NRSA63J-101X	MG RESISTOR	100Ω 1/16W J
△C908	QCZ9054-102	C CAPACITOR	1000pF AC250V Z	R354	NRSA63J-0R0X	MG RESISTOR	0Ω 1/16W J
C912	QCZ0340-222	C CAPACITOR	2200pF 2kV K	R355	NRSA63J-0R0X	MG RESISTOR	0Ω 1/16W J
C913	QFLC1HJ-471Z	M CAPACITOR	470pF 50V J	R356	NRSA63J-123X	MG RESISTOR	12kΩ 1/16W J
C914	QETN1HM-107Z	E CAPACITOR	100uF 50V M	R359	NRSA63J-103X	MG RESISTOR	10kΩ 1/16W J
C916	NDC31HJ-331X	C CAPACITOR	330pF 50V J	R360	NCB31HK-103X	C CAPACITOR	0.01uF 50V K
C917	NCB31HK-182X	C CAPACITOR	1800pF 50V K	R421	NRSA63J-822X	MG RESISTOR	8.2kΩ 1/16W J
C918	NCB21HK-104X	C CAPACITOR	0.1uF 50V K	R423	NRSA63J-393X	MG RESISTOR	39kΩ 1/16W J
C919	QFP32GJ-103	PP CAPACITOR	0.01uF 400V J	R424	NRSA63J-393X	MG RESISTOR	39kΩ 1/16W J
C931	QEZ0203-107	E CAPACITOR	100uF 160V M	R426	NRSA63J-183X	MG RESISTOR	18kΩ 1/16W J
C933	QETN1CM-108Z	E CAPACITOR	1000uF 16V M	R427	QRT029J-1R5	MF RESISTOR	1.5Ω 2W J
C934	NDC31HJ-151X	C CAPACITOR	150pF 50V J	R429	NRSA63J-272X	MG RESISTOR	2.7kΩ 1/16W J
C935	QETN1EM-108Z	E CAPACITOR	1000uF 25V M	R430	NRSA63J-0R0X	MG RESISTOR	0Ω 1/16W J
C937	QCZ0340-102	C CAPACITOR	1000pF 2kV K	R431	NRSA63J-152X	MG RESISTOR	1.5kΩ 1/16W J
C938	QETN1CM-477Z	E CAPACITOR	470uF 16V M	R432	NRSA63J-101X	MG RESISTOR	100Ω 1/16W J
C939	QCB32HK-152Z	C CAPACITOR	1500pF 500V K	R433	NRSA63J-681X	MG RESISTOR	680Ω 1/16W J
C941	QCB32HK-102Z	C CAPACITOR	1000pF 500V K	R434	QRL029J-221	OMF RESISTOR	220Ω 2W J
C942	QEHR1HM-105Z	E CAPACITOR	1uF 50V M	R435	QRE121J-102Y	C RESISTOR	1kΩ 1/2W J
C951	QETN1EM-477Z	E CAPACITOR	470uF 25V M	R441	NRSA63J-0R0X	MG RESISTOR	0Ω 1/16W J
C952	QETN1CM-227Z	E CAPACITOR	220uF 16V M	R447	NRSA63J-104X	MG RESISTOR	100kΩ 1/16W J
C971	QETN1CM-107Z	E CAPACITOR	100uF 16V M	R448	NRSA63J-473X	MG RESISTOR	47kΩ 1/16W J
C972	QETN1EM-476Z	E CAPACITOR	47uF 25V M	R449	NRSA63J-103X	MG RESISTOR	10kΩ 1/16W J
C973	QETN1HM-106Z	E CAPACITOR	10uF 50V M	R501	NRSA63J-0R0X	MG RESISTOR	0Ω 1/16W J
△C997	QCZ9052-102	C CAPACITOR	1000pF AC125V M	R502	NRSA63J-271X	MG RESISTOR	270Ω 1/16W J
△C998	QCZ9074-103	C CAPACITOR	0.01uF 250V	R503	QRE121J-103Y	C RESISTOR	10kΩ 1/2W J
△C999	QCZ9074-103	C CAPACITOR	0.01uF 250V	R504	QRL039J-102	OMF RESISTOR	1kΩ 3W J
R002	NRSA63J-0R0X	MG RESISTOR	0Ω 1/16W J	R505	QRL039J-102	OMF RESISTOR	1kΩ 3W J
R003	NRSA63J-101X	MG RESISTOR	100Ω 1/16W J	R511	QRE121J-220Y	C RESISTOR	22Ω 1/2W J
R004	NRSA63J-101X	MG RESISTOR	100Ω 1/16W J	R512	QRE121J-681Y	C RESISTOR	680Ω 1/2W J
R005	NRSA63J-0R0X	MG RESISTOR	0Ω 1/16W J	R523	QRJ146J-333X	C RESISTOR	33kΩ 1/4W J
R008	NRSA63J-820X	MG RESISTOR	82Ω 1/16W J	R526	QRE121J-272Y	C RESISTOR	2.7kΩ 1/2W J
R009	NRSA63J-682X	MG RESISTOR	6.8kΩ 1/16W J	R527	QRE121J-154Y	C RESISTOR	150kΩ 1/2W J
R101	NRSA63J-562X	MG RESISTOR	5.6kΩ 1/16W J	R528	QRE121J-154Y	C RESISTOR	150kΩ 1/2W J
R102	NRSA63J-182X	MG RESISTOR	1.8kΩ 1/16W J	R529	NRSA63J-331X	MG RESISTOR	330Ω 1/16W J
R103	QRE121J-101Y	C RESISTOR	100Ω 1/2W J	R531	QRJ146J-391X	UNF C RESISTOR	390Ω 1/4W J
R104	NRSA63J-180X	MG RESISTOR	18Ω 1/16W J	R532	NRSA63J-273X	MG RESISTOR	27kΩ 1/16W J
R105	NRSA63J-270X	MG RESISTOR	27Ω 1/16W J	R533	NRSA63J-123X	MG RESISTOR	12kΩ 1/16W J
R111	NRSA63J-394X	MG RESISTOR	390kΩ 1/16W J	R534	NRSA63J-123X	MG RESISTOR	12kΩ 1/16W J
R112	NRSA63J-334X	MG RESISTOR	330kΩ 1/16W J	△R535	NRVA02D-222X	CMF RESISTOR	2.2kΩ 1/10W D
R113	NRSA63J-101X	MG RESISTOR	100Ω 1/16W J	△R537	NRVA02D-752X	CMF RESISTOR	7.5kΩ 1/10W D
R115	NRSA63J-101X	MG RESISTOR	100Ω 1/16W J	R538	NRSA63J-333X	MG RESISTOR	33kΩ 1/16W J
R116	NRSA63J-680X	MG RESISTOR	68Ω 1/16W J	R543	QRE121J-122Y	C RESISTOR	1.2kΩ 1/2W J
				R544	QRE121J-392Y	C RESISTOR	3.9kΩ 1/2W J

△Ref No.	Part No.	Part Name	Description Local	△Ref No.	Part No.	Part Name	Description Local
R545	QRE121J-153Y	C RESISTOR	15kΩ 1/2W J	R999	QRE121J-121Y	C RESISTOR	120Ω 1/2W J
R546	NRSA63J-331X	MG RESISTOR	330Ω 1/16W J	L001	QQL244K-560Z	COIL	56uH K
R547	NRSA63J-104X	MG RESISTOR	100kΩ 1/16W J	L101	QQL2014-R22	COIL	0.22uH 100mA L
R548	QRE121J-152Y	C RESISTOR	1.5kΩ 1/2W J	L113	QQL244K-4R7Z	COIL	4.7uH K
R553	QRL039J-100	OMF RESISTOR	10Ω 3W J	L131	QQL244K-150Z	COIL	15uH K
△R554	QRK126J-150X	UNF C RESISTOR	15Ω 1/2W J	L161	QQL244K-220Z	COIL	22uH K
R555	QRX029J-3R3	MF RESISTOR	3.3Ω 2W J	L232	QQL244K-560Z	COIL	56uH K
R601	NRSA63J-750X	MG RESISTOR	75Ω 1/16W J	L241	QQL244K-220Z	COIL	22uH K
R602	NRSA63J-750X	MG RESISTOR	75Ω 1/16W J	L391	QQL244K-220Z	COIL	22uH K
R603	NRSA63J-750X	MG RESISTOR	75Ω 1/16W J	L511	QQR1027-003	LINEARITY COIL	
R610	NRSA63J-0R0X	MG RESISTOR	0Ω 1/16W J	L512	QQL2036-821	COIL	820uH K
R611	NRSA63J-0R0X	MG RESISTOR	0Ω 1/16W J	L521	QQL2026-640	COIL	64uH ±7%
R612	NRSA63J-0R0X	MG RESISTOR	0Ω 1/16W J	L701	QQL244K-220Z	COIL	22uH K
R613	NRSA63J-0R0X	MG RESISTOR	0Ω 1/16W J	L702	QQL244K-220Z	COIL	22uH K
R621	NRSA63J-682X	MG RESISTOR	6.8kΩ 1/16W J	L704	QQL244K-220Z	COIL	22uH K
R622	NRSA63J-681X	MG RESISTOR	680Ω 1/16W J	L705	QQL244K-220Z	COIL	22uH K
R623	NRSA63J-682X	MG RESISTOR	6.8kΩ 1/16W J	L931	QQL26AK-470Z	COIL	47uH K
R624	NRSA63J-681X	MG RESISTOR	680Ω 1/16W J	L933	QQL26AK-470Z	COIL	47uH K
R626	NRSA63J-223X	MG RESISTOR	22kΩ 1/16W J	L940	QQR0582-001Z	FERRITE BEADS	
R627	NRSA63J-223X	MG RESISTOR	22kΩ 1/16W J	T111	QQR0907-001	IFT	
R631	NRSA63J-333X	MG RESISTOR	33kΩ 1/16W J	T501	CE42034-002	HOR DRIVE TRANS	
R632	NRSA63J-223X	MG RESISTOR	22kΩ 1/16W J	△T502	QKH0121-001	FB TRANSF	
R638	NRSA63J-0R0X	MG RESISTOR	0Ω 1/16W J	△T921	QQS0138-001	SW TRANSF	
R639	NRSA63J-0R0X	MG RESISTOR	0Ω 1/16W J	△T951	QQT0372-001	POWER TRANSF	
R651	NRSA63J-0R0X	MG RESISTOR	0Ω 1/16W J	CF001	QAX0349-001	C TRAP	47.25MHz
R652	NRSA63J-0R0X	MG RESISTOR	0Ω 1/16W J	CF131	QAX0639-001Z	C TRAP	4.500MHz
R653	NRSA63J-0R0X	MG RESISTOR	0Ω 1/16W J	CF161	QAX0642-001Z	C FILTER	4.500MHz
R700	NRSA63J-102X	MG RESISTOR	1kΩ 1/16W J	CN001	QGB1505J1-35	CONNECTOR	B-B (1-35)
R701	NRSA63J-103X	MG RESISTOR	10kΩ 1/16W J	CN004	QGA2501C5-05Z	CONNECTOR	W-B (1-5)
R702	NRSA63J-102X	MG RESISTOR	1kΩ 1/16W J	CN005	QGA2501C5-04Z	CONNECTOR	W-B (1-4)
R704	NRSA63J-472X	MG RESISTOR	4.7kΩ 1/16W J	CN007	QGA2501C5-06Z	CONNECTOR	W-B (1-6)
R705	NRSA63J-472X	MG RESISTOR	4.7kΩ 1/16W J	CN00C	QGA2501F1-06	CONNECTOR	W-B (1-6)
R706	NRSA63J-472X	MG RESISTOR	4.7kΩ 1/16W J	CN0B1	QGA2501C5-03Z	CONNECTOR	W-B (1-3)
R707	NRSA63J-103X	MG RESISTOR	10kΩ 1/16W J	CN0E1	CE41507-001P	LV CONNECTOR	
R708	NRSA63J-101X	MG RESISTOR	100Ω 1/16W J	CN0HV	QZ5004C1-06	CONNECTOR	(1-6)
R709	NRSA63J-101X	MG RESISTOR	100Ω 1/16W J	CN0S1	QGA2501C5-03Z	CONNECTOR	W-B (1-3)
R715	NRSA63J-103X	MG RESISTOR	10kΩ 1/16W J	CN0SS	QGA2501C5-04Z	CONNECTOR	W-B (1-4)
R718	NRSA63J-223X	MG RESISTOR	22kΩ 1/16W J	△CP932	ICP-N70-T	IC PROTECTOR	2.5A
R721	NRSA63J-102X	MG RESISTOR	1kΩ 1/16W J	△CP936	ICP-N70-T	IC PROTECTOR	2.5A
R728	NRSA63J-102X	MG RESISTOR	1kΩ 1/16W J	△F901	QMF0007-5R0J1	FUSE	5A
R729	NRSA63J-223X	MG RESISTOR	22kΩ 1/16W J	△F905	QMFZ049-5R0Z-E	FUSE	5A 125V
R731	NRSA63J-101X	MG RESISTOR	100Ω 1/16W J	FC901	CEMG002-001Z	FUSE CLIP	
R732	NRSA63J-101X	MG RESISTOR	100Ω 1/16W J	FC902	CEMG002-001Z	FUSE CLIP	
R733	NRSA63J-472X	MG RESISTOR	4.7kΩ 1/16W J	△FR525	QRZ9017-4R7	FUSI RESISTOR	4.7Ω 1/4W J
R734	NRSA63J-472X	MG RESISTOR	4.7kΩ 1/16W J	△FR527	QRZ9011-470	FUSI RESISTOR	47Ω 1/2W J
R739	NRSA63J-0R0X	MG RESISTOR	0Ω 1/16W J	HS001	CEHE011-001WU	HEAT SINK	
R740	NRSA63J-103X	MG RESISTOR	10kΩ 1/16W J	HS002	LC31678-001A	HEAT SINK/AL-F/	
R764	NRSA63J-221X	MG RESISTOR	220Ω 1/16W J	HS003	LC31677-001A	HEAT SINK/AL-F/	
R765	NRSA63J-221X	MG RESISTOR	220Ω 1/16W J	HS004	CEHE015-001WU	HEAT SINK	
R766	NRSA63J-221X	MG RESISTOR	220Ω 1/16W J	HS005	CM42862-00G-H	HEAT SINK ASSY	
R767	NRSA63J-221X	MG RESISTOR	220Ω 1/16W J	HS007	CEHT11B-002QS	HEAT SINK	
R769	NRSA63J-682X	MG RESISTOR	6.8kΩ 1/16W J	J601	QNN0349-002	PIN JACK	COMP IN
R772	NRSA63J-103X	MG RESISTOR	10kΩ 1/16W J	K401	QQR0621-002Z	FERRITE BEADS	
R811	NRSA63J-473X	MG RESISTOR	47kΩ 1/16W J	K912	QQR0582-001Z	FERRITE BEADS	
R816	NRSA63J-124X	MG RESISTOR	120kΩ 1/16W J	K916	QQR0582-001Z	FERRITE BEADS	
R821	NRSA63J-184X	MG RESISTOR	180kΩ 1/16W J	K917	QQR0582-001Z	FERRITE BEADS	
R822	NRSA63J-0R0X	MG RESISTOR	0Ω 1/16W J	K918	QQR0582-001Z	FERRITE BEADS	
R827	NRSA63J-102X	MG RESISTOR	1kΩ 1/16W J	K931	QQR0582-001Z	FERRITE BEADS	
R855	QRG039J-100	OMF RESISTOR	10Ω 3W J	K932	QQR0582-001Z	FERRITE BEADS	
R857	QRL029J-470	OMF RESISTOR	47Ω 2W J	K933	QQR0621-002Z	FERRITE BEADS	
R858	QRL029J-820	OMF RESISTOR	82Ω 2W J	K935	QQR0582-001Z	FERRITE BEADS	
R901	QRF074K-R47	UNF WW RESISTOR	0.47Ω 7W K	LC601	QQR1199-001	EMI FILTER	
R909	QRG01GJ-470	OMF RESISTOR	47Ω 1W J	LC602	QQR1199-001	EMI FILTER	
R911	QRE121J-223Y	C RESISTOR	22kΩ 1/2W J	LC603	QQR1199-001	EMI FILTER	
R912	QRT029J-R22	MF RESISTOR	0.22Ω 2W J	△LF901	QQR1085-003	LINE FILTER	
R913	QRT029J-R22	MF RESISTOR	0.22Ω 2W J	△RY951	QSK0086-001	RELAY	
△R914	QRK126J-681X	UNF C RESISTOR	680Ω 1/2W J	S421	QSL4A13-C02	LEVER SWITCH	V CENTER
△R915	QRK129J-6R8	UNF C RESISTOR	6.8Ω 1/2W J	SF101	QAX0723-001	SAW FILTER	
△R917	QRK126J-332X	UNF C RESISTOR	3.3kΩ 1/2W J	△TH901	QAD0132-3R0	P THERMISTOR	3Ω
R918	QRE121J-222Y	C RESISTOR	2.2kΩ 1/2W J	△TU001	QAU0305-001	TUNER	
R919	QRE121J-684Y	C RESISTOR	680kΩ 1/2W J	△VA901	ERZV10V621CS	ZNR	
R924	QRE121J-222Y	C RESISTOR	2.2kΩ 1/2W J	W1	NRSA63J-0R0X	MG RESISTOR	0Ω 1/16W J
R930	QRE121J-223Y	C RESISTOR	22kΩ 1/2W J	W2	NRSA63J-0R0X	MG RESISTOR	0Ω 1/16W J
R939	QRT039J-2R2	MF RESISTOR	2.2Ω 3W J	W3	NRSA63J-0R0X	MG RESISTOR	0Ω 1/16W J
R940	QRE121J-181Y	C RESISTOR	180Ω 1/2W J	W4	NRSA63J-0R0X	MG RESISTOR	0Ω 1/16W J
R941	QRL029J-183	OMF RESISTOR	18kΩ 2W J	W5	NRSA63J-0R0X	MG RESISTOR	0Ω 1/16W J
R950	NRSA63J-0R0X	MG RESISTOR	0Ω 1/16W J	W6	NRSA63J-0R0X	MG RESISTOR	0Ω 1/16W J
R951	NRSA63J-473X	MG RESISTOR	47kΩ 1/16W J	W16	NRSA63J-0R0X	MG RESISTOR	0Ω 1/16W J
R952	NRSA63J-102X	MG RESISTOR	1kΩ 1/16W J	W7	NRSA63J-0R0X	MG RESISTOR	0Ω 1/16W J
R953	QRE121J-820Y	C RESISTOR	82Ω 1/2W J	W8	NRSA63J-0R0X	MG RESISTOR	0Ω 1/16W J
R973	QRE121J-272Y	C RESISTOR	2.7kΩ 1/2W J	W9	NRSA63J-0R0X	MG RESISTOR	0Ω 1/16W J
R975	QRE121J-223Y	C RESISTOR	22kΩ 1/2W J	W10	NRSA63J-0R0X	MG RESISTOR	0Ω 1/16W J
R977	QRE121J-473Y	C RESISTOR	47kΩ 1/2W J	W11	NRSA63J-0R0X	MG RESISTOR	0Ω 1/16W J
R978	NRSA63J-333X	MG RESISTOR	33kΩ 1/16W J	W12	NRSA63J-0R0X	MG RESISTOR	0Ω 1/16W J
R979	QRT029J-1R2	MF RESISTOR	1.2Ω 2W J	W13	NRSA63J-0R0X	MG RESISTOR	0Ω 1/16W J
R980	QRT029J-1R2	MF RESISTOR	1.2Ω 2W J	W14	NRSA63J-0R0X	MG RESISTOR	0Ω 1/16W J
△R998	QRZ9041-275	C RESISTOR	2.7MΩ 1/2W K				

△Ref No.	Part No.	Part Name	Description Local
W15	NRSA63J-0R0X	MG RESISTOR	0Ω 1/16W J
W16	NRSA63J-0R0X	MG RESISTOR	0Ω 1/16W J
W17	NRSA63J-0R0X	MG RESISTOR	0Ω 1/16W J
W18	NRSA63J-0R0X	MG RESISTOR	0Ω 1/16W J
W19	NRSA63J-0R0X	MG RESISTOR	0Ω 1/16W J
W20	NRSA63J-0R0X	MG RESISTOR	0Ω 1/16W J
W21	NRSA63J-0R0X	MG RESISTOR	0Ω 1/16W J
W22	NRSA63J-0R0X	MG RESISTOR	0Ω 1/16W J
W23	NRSA63J-0R0X	MG RESISTOR	0Ω 1/16W J
W24	NRSA63J-0R0X	MG RESISTOR	0Ω 1/16W J
W25	NRSA63J-0R0X	MG RESISTOR	0Ω 1/16W J
W26	NRSA63J-0R0X	MG RESISTOR	0Ω 1/16W J
W27	NRSA63J-0R0X	MG RESISTOR	0Ω 1/16W J
W28	NRSA63J-0R0X	MG RESISTOR	0Ω 1/16W J
X701	QAX0717-001Z	CRYSTAL	8.000MHz
Y402	NRSA63J-0R0X	MG RESISTOR	0Ω 1/16W J
Y405	NRSA63J-0R0X	MG RESISTOR	0Ω 1/16W J
Y411	NRSA63J-0R0X	MG RESISTOR	0Ω 1/16W J
Y414	NRSA63J-0R0X	MG RESISTOR	0Ω 1/16W J
Y701	QRE141J-0R0Y	C RESISTOR	0Ω 1/4W J

CRT SOCKET PW BOARD ASS'Y (SGE-3061A-M2)

REFER TO PARTS LIST IN PAGE 3-8 FOR THIS P.W. BOARD.

AV SELECTER PW BOARD ASS'Y (SGE-5061A-M2)

△Ref No.	Part No.	Part Name	Description Local
IC5001	CXA2134Q-X	IC	
IC5201	TC90A49P	IC	
IC5501	TA1218AN	IC	
Q5001	2SB709A/QR/-X	TRANSISTOR	
Q5002	2SB709A/QR/-X	TRANSISTOR	
Q5211	2SD601A/QR/-X	TRANSISTOR	
Q5212	2SD601A/QR/-X	TRANSISTOR	
Q5251	2SD601A/QR/-X	TRANSISTOR	
Q5252	2SB709A/QR/-X	TRANSISTOR	
Q5253	2SB709A/QR/-X	TRANSISTOR	
Q5261	2SB709A/QR/-X	TRANSISTOR	
Q5262	2SD601A/QR/-X	TRANSISTOR	
Q5263	2SB709A/QR/-X	TRANSISTOR	
Q5384	DTC323TK-X	DIGI TRANSISTOR	
Q5385	DTC323TK-X	DIGI TRANSISTOR	
Q5386	DTC323TK-X	DIGI TRANSISTOR	
Q5387	DTC323TK-X	DIGI TRANSISTOR	
Q5501	2SB709A/QR/-X	TRANSISTOR	
D5391	MTZJ9.1C-T2	Z DIODE	
D5392	MTZJ9.1C-T2	Z DIODE	
D5501	MTZJ9.1C-T2	Z DIODE	
D5502	MTZJ9.1C-T2	Z DIODE	
D5503	MTZJ9.1C-T2	Z DIODE	
D5504	MTZJ9.1C-T2	Z DIODE	
D5505	MTZJ9.1C-T2	Z DIODE	
D5507	MTZJ9.1C-T2	Z DIODE	
D5508	MTZJ9.1C-T2	Z DIODE	
D5510	MTZJ9.1C-T2	Z DIODE	
D5511	MTZJ9.1C-T2	Z DIODE	
D5512	MTZJ9.1C-T2	Z DIODE	
D5513	MTZJ9.1C-T2	Z DIODE	
C5001	QENC1HM-475Z	BP E CAPACITOR	4.7uF 50V M
C5002	NCB31HK-562X	C CAPACITOR	5600pF 50V K
C5003	NCB31HK-123X	C CAPACITOR	0.012uF 50V K
C5004	QETN1HM-105Z	E CAPACITOR	1uF 50V M
C5005	QETN1HM-475Z	E CAPACITOR	4.7uF 50V M
C5006	QETN1HM-106Z	E CAPACITOR	10uF 50V M
C5007	QETN1HM-475Z	E CAPACITOR	4.7uF 50V M
C5008	QETN1CM-107Z	E CAPACITOR	100uF 16V M
C5009	QENC1HM-475Z	BP E CAPACITOR	4.7uF 50V M
C5010	QETN1HM-475Z	E CAPACITOR	4.7uF 50V M
C5011	QENC1HM-475Z	BP E CAPACITOR	4.7uF 50V M
C5012	NCB31HK-272X	C CAPACITOR	2700pF 50V K
C5013	NCB31HK-473X	C CAPACITOR	0.047uF 50V K
C5014	QENC1HM-475Z	BP E CAPACITOR	4.7uF 50V M
C5015	QETN1HM-106Z	E CAPACITOR	10uF 50V M
C5016	QETN1HM-105Z	E CAPACITOR	1uF 50V M
C5017	QENC1HM-105Z	BP E CAPACITOR	1uF 50V M
C5018	QENC1HM-105Z	BP E CAPACITOR	1uF 50V M
C5019	NCB31HK-223X	C CAPACITOR	0.022uF 50V K

△Ref No.	Part No.	Part Name	Description Local
C5020	NCB31HK-472X	C CAPACITOR	4700pF 50V K
C5021	QENC1HM-475Z	BP E CAPACITOR	4.7uF 50V M
C5022	NCB31EK-104X	C CAPACITOR	0.1uF 25V K
C5023	NCB31HK-472X	C CAPACITOR	4700pF 50V K
C5024	QENC1HM-475Z	BP E CAPACITOR	4.7uF 50V M
C5025	NCB31EK-104X	C CAPACITOR	0.1uF 25V K
C5026	QETN1HM-335Z	E CAPACITOR	3.3uF 50V M
C5031	QETN1HM-106Z	E CAPACITOR	10uF 50V M
C5203	QETN1EM-476Z	E CAPACITOR	47uF 25V M
C5204	NCB31HK-103X	C CAPACITOR	0.01uF 50V K
C5205	QETN1EM-476Z	E CAPACITOR	47uF 25V M
C5206	NCB31HK-103X	C CAPACITOR	0.01uF 50V K
C5211	QENC1CM-106Z	BP E CAPACITOR	10uF 16V M
C5212	NDC31HJ-101X	C CAPACITOR	100pF 50V J
C5213	NDC31HJ-470X	C CAPACITOR	47pF 50V J
C5214	NDC31HJ-181X	C CAPACITOR	180pF 50V J
C5215	QETN1HM-474Z	E CAPACITOR	0.47uF 50V M
C5226	NCB31HK-103X	C CAPACITOR	0.01uF 50V K
C5231	QETN1CM-107Z	E CAPACITOR	100uF 16V M
C5232	NCB31HK-103X	C CAPACITOR	0.01uF 50V K
C5233	NCB31HK-103X	C CAPACITOR	0.01uF 50V K
C5234	NCB31HK-103X	C CAPACITOR	0.01uF 50V K
C5235	NCB31HK-103X	C CAPACITOR	0.01uF 50V K
C5236	QETN1CM-107Z	E CAPACITOR	100uF 16V M
C5237	NCB31HK-103X	C CAPACITOR	0.01uF 50V K
C5238	QETN1CM-107Z	E CAPACITOR	100uF 16V M
C5239	NCB31HK-103X	C CAPACITOR	0.01uF 50V K
C5240	NCB31HK-103X	C CAPACITOR	0.01uF 50V K
C5241	NCB31HK-103X	C CAPACITOR	0.01uF 50V K
C5242	QETN1CM-107Z	E CAPACITOR	100uF 16V M
C5243	NCB31HK-103X	C CAPACITOR	0.01uF 50V K
C5246	NDC31HJ-181X	C CAPACITOR	180pF 50V J
C5247	NCB31HK-103X	C CAPACITOR	0.01uF 50V K
C5251	QETN1EM-476Z	E CAPACITOR	47uF 25V M
C5252	NCB31HK-103X	C CAPACITOR	0.01uF 50V K
C5253	NDC31HJ-820X	C CAPACITOR	82pF 50V J
C5255	NDC31HJ-470X	C CAPACITOR	47pF 50V J
C5263	NDC31HJ-470X	C CAPACITOR	47pF 50V J
C5391	QETN1HM-474Z	E CAPACITOR	0.47uF 50V M
C5392	QETN1HM-474Z	E CAPACITOR	0.47uF 50V M
C5501	QETN1HM-225Z	E CAPACITOR	2.2uF 50V M
C5502	QETN1HM-225Z	E CAPACITOR	2.2uF 50V M
C5503	QETN1HM-106Z	E CAPACITOR	10uF 50V M
C5504	QENC1CM-106Z	BP E CAPACITOR	10uF 16V M
C5508	QETN1HM-106Z	E CAPACITOR	10uF 50V M
C5509	NCB31HK-103X	C CAPACITOR	0.01uF 50V K
C5520	QETN1HM-225Z	E CAPACITOR	2.2uF 50V M
C5521	QETN1HM-225Z	E CAPACITOR	2.2uF 50V M
C5531	NCB31HK-103X	C CAPACITOR	0.01uF 50V K
C5532	QETN1EM-476Z	E CAPACITOR	47uF 25V M
C5533	NCB31HK-103X	C CAPACITOR	0.01uF 50V K
C5534	QENC1CM-106Z	BP E CAPACITOR	10uF 16V M
R5001	NRSA63J-105X	MG RESISTOR	1MΩ 1/16W J
R5002	NRSA63J-104X	MG RESISTOR	100kΩ 1/16W J
R5003	NRSA63J-682X	MG RESISTOR	6.8kΩ 1/16W J
R5004	NRSA63J-682X	MG RESISTOR	6.8kΩ 1/16W J
R5005	NRSA63F-623X	MG RESISTOR	62kΩ 1/16W F
R5007	NRSA63J-332X	MG RESISTOR	3.3kΩ 1/16W J
R5008	NRSA63J-302X	MG RESISTOR	3kΩ 1/16W J
R5010	NRSA63J-392X	MG RESISTOR	3.9kΩ 1/16W J
R5011	NRSA63J-221X	MG RESISTOR	220Ω 1/16W J
R5012	NRSA63J-221X	MG RESISTOR	220Ω 1/16W J
R5031	NRSA63J-101X	MG RESISTOR	100Ω 1/16W J
R5032	NRSA63J-101X	MG RESISTOR	100Ω 1/16W J
R5033	NRSA63J-272X	MG RESISTOR	2.7kΩ 1/16W J
R5034	NRSA63J-272X	MG RESISTOR	2.7kΩ 1/16W J
R5210	NRSA63J-0R0X	MG RESISTOR	0Ω 1/16W J
R5211	NRSA63J-332X	MG RESISTOR	3.3kΩ 1/16W J
R5212	NRSA63J-103X	MG RESISTOR	10kΩ 1/16W J
R5213	NRSA63J-102X	MG RESISTOR	1kΩ 1/16W J
R5214	NRSA63J-181X	MG RESISTOR	180Ω 1/16W J
R5215	NRSA63J-152X	MG RESISTOR	1.5kΩ 1/16W J
R5216	NRSA63J-182X	MG RESISTOR	1.8kΩ 1/16W J
R5217	NRSA63J-222X	MG RESISTOR	2.2kΩ 1/16W J
R5240	NRSA63J-0R0X	MG RESISTOR	0Ω 1/16W J
R5241	NRSA63J-821X	MG RESISTOR	820Ω 1/16W J
R5242	NRSA63J-101X	MG RESISTOR	100Ω 1/16W J
R5243	NRSA63J-101X	MG RESISTOR	100Ω 1/16W J
R5251	NRSA63J-471X	MG RESISTOR	470Ω 1/16W J
R5253	NRSA63J-102X	MG RESISTOR	1kΩ 1/16W J
R5254	NRSA63J-102X	MG RESISTOR	1kΩ 1/16W J
R5255	NRSA63J-681X	MG RESISTOR	680Ω 1/16W J
R5258	NRSA63J-101X	MG RESISTOR	100Ω 1/16W J
R5259	NRSA63J-222X	MG RESISTOR	2.2kΩ 1/16W J
R5261	NRSA63J-101X	MG RESISTOR	100Ω 1/16W J
R5262	NRSA63J-222X	MG RESISTOR	2.2kΩ 1/16W J

△Ref No.	Part No.	Part Name	Description Local
R5263	NRSA63J-471X	MG RESISTOR	470Ω 1/16W J
R5265	NRSA63J-102X	MG RESISTOR	1kΩ 1/16W J
R5269	NRSA63J-681X	MG RESISTOR	680Ω 1/16W J
R5270	NRSA63J-102X	MG RESISTOR	1kΩ 1/16W J
R5384	NRSA63J-223X	MG RESISTOR	22kΩ 1/16W J
R5385	NRSA63J-223X	MG RESISTOR	22kΩ 1/16W J
R5386	NRSA63J-223X	MG RESISTOR	22kΩ 1/16W J
R5387	NRSA63J-223X	MG RESISTOR	22kΩ 1/16W J
R5391	NRSA63J-221X	MG RESISTOR	220Ω 1/16W J
R5392	NRSA63J-221X	MG RESISTOR	220Ω 1/16W J
R5393	NRSA63J-823X	MG RESISTOR	82kΩ 1/16W J
R5394	NRSA63J-823X	MG RESISTOR	82kΩ 1/16W J
R5395	NRSA63J-221X	MG RESISTOR	220Ω 1/16W J
R5396	NRSA63J-221X	MG RESISTOR	220Ω 1/16W J
R5501	NRSA63J-221X	MG RESISTOR	220Ω 1/16W J
R5502	NRSA63J-221X	MG RESISTOR	220Ω 1/16W J
R5503	NRSA63J-221X	MG RESISTOR	220Ω 1/16W J
R5504	NRSA63J-221X	MG RESISTOR	220Ω 1/16W J
R5505	NRSA63J-221X	MG RESISTOR	220Ω 1/16W J
R5507	NRSA63J-103X	MG RESISTOR	10kΩ 1/16W J
R5508	NRSA63J-153X	MG RESISTOR	15kΩ 1/16W J
R5509	NRSA63J-221X	MG RESISTOR	220Ω 1/16W J
R5510	NRSA63J-221X	MG RESISTOR	220Ω 1/16W J
R5511	NRSA63J-221X	MG RESISTOR	220Ω 1/16W J
R5512	NRSA63J-221X	MG RESISTOR	220Ω 1/16W J
R5513	NRSA63J-153X	MG RESISTOR	15kΩ 1/16W J
R5514	NRSA63J-103X	MG RESISTOR	10kΩ 1/16W J
R5515	NRSA63J-103X	MG RESISTOR	10kΩ 1/16W J
R5516	NRSA63J-103X	MG RESISTOR	10kΩ 1/16W J
R5517	NRSA63J-103X	MG RESISTOR	10kΩ 1/16W J
R5519	NRSA63J-750X	MG RESISTOR	75Ω 1/16W J
R5520	NRSA63J-750X	MG RESISTOR	75Ω 1/16W J
R5521	NRSA63J-750X	MG RESISTOR	75Ω 1/16W J
R5522	NRSA63J-224X	MG RESISTOR	220kΩ 1/16W J
R5523	NRSA63J-224X	MG RESISTOR	220kΩ 1/16W J
R5524	NRSA63J-103X	MG RESISTOR	10kΩ 1/16W J
R5526	NRSA63J-103X	MG RESISTOR	10kΩ 1/16W J
R5532	NRSA63J-224X	MG RESISTOR	220kΩ 1/16W J
R5533	NRSA63J-224X	MG RESISTOR	220kΩ 1/16W J
R5541	NRSA63J-221X	MG RESISTOR	220Ω 1/16W J
R5542	NRSA63J-221X	MG RESISTOR	220Ω 1/16W J
R5543	NRSA63J-221X	MG RESISTOR	220Ω 1/16W J
R5544	NRSA63J-331X	MG RESISTOR	330Ω 1/16W J
R5545	NRSA63J-331X	MG RESISTOR	330Ω 1/16W J
R5546	NRSA63J-103X	MG RESISTOR	10kΩ 1/16W J
R5558	NRSA63J-0R0X	MG RESISTOR	0Ω 1/16W J
R5559	NRSA63J-0R0X	MG RESISTOR	0Ω 1/16W J
R5560	NRSA63J-0R0X	MG RESISTOR	0Ω 1/16W J
R5561	NRSA63J-0R0X	MG RESISTOR	0Ω 1/16W J
L5202	QQL244K-150Z	COIL	15uH K
L5211	QQL244K-4R7Z	COIL	4.7uH K
L5241	QQL244K-4R7Z	COIL	4.7uH K
L5243	QQL244K-4R7Z	COIL	4.7uH K
L5244	QQL244K-4R7Z	COIL	4.7uH K
L5261	QQL244K-150Z	COIL	15uH K
CN5001	QGB1505K1-35	CONNECTOR	B-B (1-35)
CN5006	QGA2501C5-05Z	CONNECTOR	W-B (1-5)
J5501	QNZ0454-001	AV JACK	S/V/L/R IN
J5502	QNN0348-001	PIN JACK	V/L/R IN
J5503	QNN0348-001	PIN JACK	L/R OUT
W5001	NRSA63J-0R0X	MG RESISTOR	0Ω 1/16W J
W5002	NRSA63J-0R0X	MG RESISTOR	0Ω 1/16W J
W5003	NRSA63J-0R0X	MG RESISTOR	0Ω 1/16W J
W5004	NRSA63J-0R0X	MG RESISTOR	0Ω 1/16W J
W5005	NRSA63J-0R0X	MG RESISTOR	0Ω 1/16W J
W5006	NRSA63J-0R0X	MG RESISTOR	0Ω 1/16W J
W5007	NRSA63J-0R0X	MG RESISTOR	0Ω 1/16W J
W5008	NRSA63J-0R0X	MG RESISTOR	0Ω 1/16W J
Y5201	NRSA63J-0R0X	MG RESISTOR	0Ω 1/16W J
Y5202	NRSA63J-0R0X	MG RESISTOR	0Ω 1/16W J

**FRONT TERMINAL PW BOARD ASS'Y
(SGE-6061A-M2)**

REFER TO PARTS LIST IN PAGE 3-9 FOR THIS P.W. BOARD.

**FRONT CONTROL PW BOARD ASS'Y
(SGE-7061A-M2)**

REFER TO PARTS LIST IN PAGE 3-9 FOR THIS P.W. BOARD.

[AV-32432/RA]
MAIN PW BOARD ASS'Y (SGE-1063A-M2)

△Ref No.	Part No.	Part Name	Description Local	△Ref No.	Part No.	Part Name	Description Local
IC101	M52342SP	IC		D941	MTZJ33A-T2	Z DIODE	
IC201	TM8812CPDNG4N35	IC(MCU)		D945	MTZJ9.1B-T2	Z DIODE	
IC421	LA7841	IC		D952	1SS133-T2	DIODE	
IC621	LA4485	IC		D953	1SS133-T2	DIODE	
IC702	AT24C04W-32430	IC	(SERVICE)	D954	1N4002G-T2	SI DIODE	
IC703	S-80840CNY-T	IC		D955	1N4002G-T2	SI DIODE	
IC704	AN78L05-T	IC		D956	1N4002G-T2	SI DIODE	
IC852	AN7809F	IC		D957	1N4002G-T2	SI DIODE	
IC853	AN7805F	IC		D972	MTZJ15C-T2	Z DIODE	
△IC911	STR-G6624/F8	IC		D973	1SS133-T2	DIODE	
△IC921	SE135N	IC		△PC921	TLP421F/D4-GR/	PHOTO COUPLER	
Q001	UN2212-X	DIGI TRANSISTOR		C001	QETN1HM-475Z	E CAPACITOR	4.7uF 50V M
Q101	2SC5083/L-P/-T	TRANSISTOR		C003	QETN1HM-106Z	E CAPACITOR	10uF 50V M
Q131	2SB709A/QR/-X	TRANSISTOR		C004	QETN1CM-108Z	E CAPACITOR	1000uF 16V M
Q161	2SD601A/QR/-X	TRANSISTOR		C006	QETN1EM-476Z	E CAPACITOR	47uF 25V M
Q211	2SD601A/QR/-X	TRANSISTOR		C101	NCB31HK-103X	C CAPACITOR	0.01uF 50V K
Q232	2SD601A/QR/-X	TRANSISTOR		C102	NCB31HK-103X	C CAPACITOR	0.01uF 50V K
Q233	2SD601A/QR/-X	TRANSISTOR		C104	NCB31HK-103X	C CAPACITOR	0.01uF 50V K
Q352	2SD601A/QR/-X	TRANSISTOR		C105	NCB31HK-103X	C CAPACITOR	0.01uF 50V K
Q431	UN2212-X	DIGI TRANSISTOR		C106	QETN1EM-476Z	E CAPACITOR	47uF 25V M
Q501	2SC4212/Z1/	TRANSISTOR		C107	NCB31HK-103X	C CAPACITOR	0.01uF 50V K
△Q511	2SD2645-YD	TRANSISTOR	H OUT	C113	NCB31HK-103X	C CAPACITOR	0.01uF 50V K
Q531	2SC2785/JH/-T	SI TRANSISTOR		C114	NCB31HK-103X	C CAPACITOR	0.01uF 50V K
Q532	2SB709A/QR/-X	TRANSISTOR		C116	QFVF1HJ-224Z	MF CAPACITOR	0.22uF 50V J
Q541	2SB709A/QR/-X	TRANSISTOR		C117	QETN1EM-476Z	E CAPACITOR	47uF 25V M
Q542	2SB709A/QR/-X	TRANSISTOR		C118	NCB31HK-103X	C CAPACITOR	0.01uF 50V K
Q543	2SD1408/OY/-LB	POW TRANSISTOR		C119	NDC31HJ-681X	C CAPACITOR	680pF 50V J
Q622	2SD601A/QR/-X	TRANSISTOR		C120	QETN1HM-474Z	E CAPACITOR	0.47uF 50V M
Q623	UN2212-X	DIGI TRANSISTOR		C124	NCB31HK-103X	C CAPACITOR	0.01uF 50V K
Q701	2SB709A/QR/-X	TRANSISTOR		C131	NCB31HK-103X	C CAPACITOR	0.01uF 50V K
Q951	2SD1383K/AB/-X	TRANSISTOR		C161	QETN1HM-106Z	E CAPACITOR	10uF 50V M
Q971	2SA1208/ST/Z1-T	TRANSISTOR		C163	NDC31HJ-470X	C CAPACITOR	47pF 50V J
				C164	NDC31HJ-470X	C CAPACITOR	47pF 50V J
				C165	NCB31HK-103X	C CAPACITOR	0.01uF 50V K
				C166	NCB31HK-103X	C CAPACITOR	0.01uF 50V K
D305	1SS133-T2	DIODE		C202	QETN1HM-105Z	E CAPACITOR	1uF 50V M
D306	1SS133-T2	DIODE		C203	NCB31HK-152X	C CAPACITOR	1500pF 50V K
D307	1SS133-T2	DIODE		C211	QENC1CM-106Z	BP E CAPACITOR	10uF 16V M
D308	1SS133-T2	DIODE		C212	NDC31HJ-100X	C CAPACITOR	10pF 50V J
D309	1SS133-T2	DIODE		C221	QETN1HM-106Z	E CAPACITOR	10uF 50V M
D310	1SS133-T2	DIODE		C222	QFVF1HJ-104Z	MF CAPACITOR	0.1uF 50V J
D352	MTZJ9.1C-T2	Z DIODE		C223	NCB31HK-103X	C CAPACITOR	0.01uF 50V K
D353	1SS133-T2	DIODE		C233	NDC31HJ-680X	C CAPACITOR	68pF 50V J
D354	MTZJ3.3A-T2	Z DIODE		C237	NCB31HK-103X	C CAPACITOR	0.01uF 50V K
D421	1N4003-T2	SI DIODE		C241	NCB31HK-103X	C CAPACITOR	0.01uF 50V K
D422	MTZJ7.5-T2	Z DIODE		C242	QETN1HM-225Z	E CAPACITOR	2.2uF 50V M
D432	1SS133-T2	DIODE		C243	QETN1CM-107Z	E CAPACITOR	100uF 16V M
D501	RH3G-F1	SI DIODE		C244	NCB31HK-103X	C CAPACITOR	0.01uF 50V K
D502	RU3AM-LFC4	SI DIODE		C281	QFVF1HJ-474Z	MF CAPACITOR	0.47uF 50V J
D521	RH1S-T3	SI DIODE		C282	QETN1CM-107Z	E CAPACITOR	100uF 16V M
D523	RGP10J-5025-T3	SI DIODE		C283	NCB31HK-103X	C CAPACITOR	0.01uF 50V K
D525	1SS81-T5	SI DIODE		C284	QETN1HM-225Z	E CAPACITOR	2.2uF 50V M
D526	1SS81-T5	SI DIODE		C285	NCB31HK-103X	C CAPACITOR	0.01uF 50V K
D527	1SR124-400A-T2	SI DIODE		C286	QETN1HM-106Z	E CAPACITOR	10uF 50V M
D529	MTZJ5.1C-T2	Z DIODE		C287	QETN1CM-107Z	E CAPACITOR	100uF 16V M
△D531	MA4068N/Z1/-T2	Z DIODE		C288	NCB31HK-103X	C CAPACITOR	0.01uF 50V K
D535	1SS133-T2	DIODE		C352	QETN1CM-336Z	E CAPACITOR	33uF 16V M
D537	1SR35-400A-T2	SI DIODE		C354	NCB31HK-103X	C CAPACITOR	0.01uF 50V K
D601	MTZJ9.1C-T2	Z DIODE		C391	QETN1CM-107Z	E CAPACITOR	100uF 16V M
D602	MTZJ9.1C-T2	Z DIODE		C392	NCB31HK-103X	C CAPACITOR	0.01uF 50V K
D603	MTZJ9.1C-T2	Z DIODE		C422	QFN32AJ-102Z	M CAPACITOR	1000pF 100V J
D700	MTZJ5.6B-T2	Z DIODE		C424	QETN1VM-107Z	E CAPACITOR	100uF 35V M
D701	1SS133-T2	DIODE		C425	QETN1VM-477Z	E CAPACITOR	470uF 35V M
D703	MTZJ5.6B-T2	Z DIODE		C427	QETN1HM-105Z	E CAPACITOR	1uF 50V M
D704	MTZJ5.6B-T2	Z DIODE		C428	QETM1EM-228	E CAPACITOR	2200uF 25V M
D705	1SS133-T2	DIODE		C431	QFLC2AK-563Z	M CAPACITOR	0.056uF 100V K
D706	MTZJ5.6B-T2	Z DIODE		C432	QETN1EM-476Z	E CAPACITOR	47uF 25V M
D707	MTZJ5.6B-T2	Z DIODE		C433	QETN1EM-476Z	E CAPACITOR	47uF 25V M
D708	MTZJ5.6B-T2	Z DIODE		C435	NCB21HK-183X	C CAPACITOR	0.018uF 50V K
D709	MTZJ5.6B-T2	Z DIODE		C440	QCS32HJ-220Z	C CAPACITOR	22pF 500V J
D723	MTZJ5.6B-T2	Z DIODE		C501	QCB32HK-151Z	C CAPACITOR	150pF 500V K
△D901	GSIB460-S1	BRIDGE DIODE		C502	QCB32HK-331Z	C CAPACITOR	330pF 500V K
D910	MA700A-T2	SB DIODE		C503	QEHR2CM-105Z	E CAPACITOR	1uF 160V M
D911	RGP10J-5025-T3	SI DIODE		C504	QEZO203-107	E CAPACITOR	100uF 160V M
D912	RGP10J-5025-T3	SI DIODE		C507	QEM61HK-475Z	E CAPACITOR	4.7uF 50V K
D913	RGP10J-5025-T3	SI DIODE		C508	QEM61HK-475Z	E CAPACITOR	4.7uF 50V K
D914	1SS133-T2	DIODE		△C510	QFZ0196-502	MPP CAPACITOR	5000pF 1.5kV H
D915	SARS01-T2	SI DIODE		△C510	QFZ0200-502	MPP CAPACITOR	5000pF 1.5kV H
D917	MTZJ30A-T2	Z DIODE		△C513	QFZ0198-133	MPP CAPACITOR	0.013uF 1.5kV
D918	MTZJ5.1C-T2	Z DIODE		C514	QFP32GJ-183	PP CAPACITOR	0.018uF 400V J
D920	1SS133-T2	DIODE		C515	QFZ0197-534	MPP CAPACITOR	0.53uF 250V J
D931	RU30A-F1	SI DIODE		C515	QFZ0199-534	MPP CAPACITOR	0.53uF AV250V J
D933	RU3YX-LFC4	SI DIODE		C516	QCB32HK-561Z	C CAPACITOR	560pF 500V K
D935	RU3YX-LFC4	SI DIODE		C521	QETN2EM-106Z	E CAPACITOR	10uF 250V M
				C523	QEHR1VM-108Z	E CAPACITOR	1000uF 35V M

△Ref No.	Part No.	Part Name	Description Local	△Ref No.	Part No.	Part Name	Description Local
C525	QETN1VM-107Z	E CAPACITOR	100uF 35V M	R115	NRSA63J-101X	MG RESISTOR	100Ω 1/16W J
C526	QFV21HJ-824Z	MF CAPACITOR	0.82uF 50V J	R116	NRSA63J-680X	MG RESISTOR	68Ω 1/16W J
C527	QFLC2AJ-103Z	M CAPACITOR	0.01uF 100V J	R117	NRSA63J-273X	MG RESISTOR	27kΩ 1/16W J
C531	QCB32HK-102Z	C CAPACITOR	1000pF 500V K	R118	NRSA63J-223X	MG RESISTOR	22kΩ 1/16W J
C533	QETN1HM-106Z	E CAPACITOR	10uF 50V M	R131	NRSA63J-102X	MG RESISTOR	1kΩ 1/16W J
C601	QETN1EM-476Z	E CAPACITOR	47uF 25V M	R132	NRSA63J-331X	MG RESISTOR	330Ω 1/16W J
C602	QETN1EM-476Z	E CAPACITOR	47uF 25V M	R133	NRSA63J-821X	MG RESISTOR	820Ω 1/16W J
C603	QETN1EM-476Z	E CAPACITOR	47uF 25V M	R134	NRSA63J-561X	MG RESISTOR	560Ω 1/16W J
C609	QFVF1HJ-104Z	MF CAPACITOR	0.1uF 50V J	R135	NRSA63J-102X	MG RESISTOR	1kΩ 1/16W J
C610	QFVF1HJ-104Z	MF CAPACITOR	0.1uF 50V J	R161	NRSA63J-332X	MG RESISTOR	3.3kΩ 1/16W J
C611	QFVF1HJ-104Z	MF CAPACITOR	0.1uF 50V J	R162	NRSA63J-0R0X	MG RESISTOR	0Ω 1/16W J
C621	NCB31HK-102X	C CAPACITOR	1000pF 50V K	R163	NRSA63J-223X	MG RESISTOR	22kΩ 1/16W J
C622	NCF21CZ-105X	C CAPACITOR	1uF 16V Z	R164	NRSA63J-102X	MG RESISTOR	1kΩ 1/16W J
C623	NCB31HK-102X	C CAPACITOR	1000pF 50V K	R165	NRSA63J-223X	MG RESISTOR	22kΩ 1/16W J
C624	NCF21CZ-105X	C CAPACITOR	1uF 16V Z	R166	NRSA63J-103X	MG RESISTOR	10kΩ 1/16W J
C625	QETN1CM-107Z	E CAPACITOR	100uF 16V M	R167	NRSA63J-102X	MG RESISTOR	1kΩ 1/16W J
C626	QETN1EM-108Z	E CAPACITOR	1000uF 25V M	R168	NRSA63J-101X	MG RESISTOR	100Ω 1/16W J
C627	QETN1HM-474Z	E CAPACITOR	0.47uF 50V M	R169	NRSA63J-561X	MG RESISTOR	560Ω 1/16W J
C628	QETN1EM-108Z	E CAPACITOR	1000uF 25V M	R171	NRSA63J-103X	MG RESISTOR	10kΩ 1/16W J
C629	QETN1EM-108Z	E CAPACITOR	1000uF 25V M	R201	NRSA63J-223X	MG RESISTOR	22kΩ 1/16W J
C636	QETN1HM-105Z	E CAPACITOR	1uF 50V M	R212	NRSA63J-272X	MG RESISTOR	2.7kΩ 1/16W J
C637	QETN1HM-105Z	E CAPACITOR	1uF 50V M	R215	NRSA63J-562X	MG RESISTOR	5.6kΩ 1/16W J
C700	NCB31HK-102X	C CAPACITOR	1000pF 50V K	R216	NRSA63J-562X	MG RESISTOR	5.6kΩ 1/16W J
C701	QETN1HM-106Z	E CAPACITOR	10uF 50V M	R217	NRSA63J-102X	MG RESISTOR	1kΩ 1/16W J
C702	QETN1HM-106Z	E CAPACITOR	10uF 50V M	R222	NRSA63J-0R0X	MG RESISTOR	0Ω 1/16W J
C703	QETN1HM-106Z	E CAPACITOR	10uF 50V M	R227	NRSA63J-104X	MG RESISTOR	100kΩ 1/16W J
C704	QETN1CM-107Z	E CAPACITOR	100uF 16V M	R231	NRSA63J-182X	MG RESISTOR	1.8kΩ 1/16W J
C705	NCB31HK-103X	C CAPACITOR	0.01uF 50V K	R237	NRSA63J-392X	MG RESISTOR	3.9kΩ 1/16W J
C706	QETN1HM-105Z	E CAPACITOR	1uF 50V M	R238	NRSA63J-473X	MG RESISTOR	47kΩ 1/16W J
C708	NDC31HJ-220X	C CAPACITOR	22pF 50V J	R241	NRSA63J-332X	MG RESISTOR	3.3kΩ 1/16W J
C709	NDC31HJ-220X	C CAPACITOR	22pF 50V J	R243	NRSA63J-152X	MG RESISTOR	1.5kΩ 1/16W J
C711	QETN1CM-107Z	E CAPACITOR	100uF 16V M	R281	NRSA63J-182X	MG RESISTOR	1.8kΩ 1/16W J
C712	NCB31HK-103X	C CAPACITOR	0.01uF 50V K	R282	NRSA63J-392X	MG RESISTOR	3.9kΩ 1/16W J
C716	QETN1HM-106Z	E CAPACITOR	10uF 50V M	R283	NRSA63J-681X	MG RESISTOR	680Ω 1/16W J
C728	NCB31HK-103X	C CAPACITOR	0.01uF 50V K	R286	NRSA63J-472X	MG RESISTOR	4.7kΩ 1/16W J
C807	QETN1AM-477Z	E CAPACITOR	470uF 10V M	R287	NRSA63J-101X	MG RESISTOR	100Ω 1/16W J
C815	NCB31HK-103X	C CAPACITOR	0.01uF 50V K	R288	NRSA63J-471X	MG RESISTOR	470Ω 1/16W J
C853	QETN1CM-227Z	E CAPACITOR	220uF 16V M	R289	NRSA63J-154X	MG RESISTOR	150kΩ 1/16W J
C854	QETN1CM-227Z	E CAPACITOR	220uF 16V M	R290	NRSA63J-561X	MG RESISTOR	560Ω 1/16W J
C856	QETN1CM-227Z	E CAPACITOR	220uF 16V M	R292	NRSA63J-124X	MG RESISTOR	120kΩ 1/16W J
C857	QETN1CM-477Z	E CAPACITOR	470uF 16V M	R293	NRSA63J-224X	MG RESISTOR	220kΩ 1/16W J
△C901	QFZ9072-104	MM CAPACITOR	0.1uF AC250V K	R301	NRSA63J-222X	MG RESISTOR	2.2kΩ 1/16W J
△C902	QFZ9072-473	MM CAPACITOR	0.047uF AC250V K	R302	NRSA63J-222X	MG RESISTOR	2.2kΩ 1/16W J
△C904	QCZ9054-102	C CAPACITOR	1000pF AC250V Z	R303	NRSA63J-222X	MG RESISTOR	2.2kΩ 1/16W J
△C905	QCZ9054-102	C CAPACITOR	1000pF AC250V Z	R304	NRSA63J-101X	MG RESISTOR	100Ω 1/16W J
△C906	QCZ9054-102	C CAPACITOR	1000pF AC250V Z	R305	NRSA63J-101X	MG RESISTOR	100Ω 1/16W J
C907	QEZ0169-477	E CAPACITOR	470uF 200V M	R306	NRSA63J-101X	MG RESISTOR	100Ω 1/16W J
△C908	QCZ9054-102	C CAPACITOR	1000pF AC250V Z	R354	NRSA63J-0R0X	MG RESISTOR	0Ω 1/16W J
C912	QCZ0340-222	C CAPACITOR	2200pF 2kV K	R355	NRSA63J-0R0X	MG RESISTOR	0Ω 1/16W J
C913	QFLC1HJ-471Z	M CAPACITOR	470pF 50V J	R356	NRSA63J-123X	MG RESISTOR	12kΩ 1/16W J
C914	QETN1HM-107Z	E CAPACITOR	100uF 50V M	R359	NRSA63J-103X	MG RESISTOR	10kΩ 1/16W J
C916	NDC31HJ-331X	C CAPACITOR	330pF 50V J	R360	NCB31HK-103X	C CAPACITOR	0.01uF 50V K
C917	NCB31HK-182X	C CAPACITOR	1800pF 50V K	R421	NRSA63J-822X	MG RESISTOR	8.2kΩ 1/16W J
C918	NCB21HK-104X	C CAPACITOR	0.1uF 50V K	R423	NRSA63J-393X	MG RESISTOR	39kΩ 1/16W J
C919	QFP32GJ-103	PP CAPACITOR	0.01uF 400V J	R424	NRSA63J-393X	MG RESISTOR	39kΩ 1/16W J
C931	QEZ0203-107	E CAPACITOR	100uF 160V M	R426	NRSA63J-183X	MG RESISTOR	18kΩ 1/16W J
C933	QETN1CM-108Z	E CAPACITOR	1000uF 16V M	R427	QRT029J-1R5	MF RESISTOR	1.5Ω 2W J
C934	NDC31HJ-151X	C CAPACITOR	150pF 50V J	R429	NRSA63J-272X	MG RESISTOR	2.7kΩ 1/16W J
C935	QETN1EM-108Z	E CAPACITOR	1000uF 25V M	R430	NRSA63J-0R0X	MG RESISTOR	0Ω 1/16W J
C937	QCZ0340-102	C CAPACITOR	1000pF 2kV K	R431	NRSA63J-152X	MG RESISTOR	1.5kΩ 1/16W J
C938	QETN1CM-477Z	E CAPACITOR	470uF 16V M	R432	NRSA63J-101X	MG RESISTOR	100Ω 1/16W J
C939	QCB32HK-152Z	C CAPACITOR	1500pF 500V K	R433	NRSA63J-681X	MG RESISTOR	680Ω 1/16W J
C941	QCB32HK-102Z	C CAPACITOR	1000pF 500V K	R434	QRL029J-181	OMF RESISTOR	180Ω 2W J
C942	QEHR1HM-105Z	E CAPACITOR	1uF 50V M	R435	QRE121J-102Y	C RESISTOR	1kΩ 1/2W J
C951	QETN1EM-477Z	E CAPACITOR	470uF 25V M	R441	NRSA63J-0R0X	MG RESISTOR	0Ω 1/16W J
C952	QETN1CM-227Z	E CAPACITOR	220uF 16V M	R447	NRSA63J-104X	MG RESISTOR	100kΩ 1/16W J
C971	QETN1CM-107Z	E CAPACITOR	100uF 16V M	R448	NRSA63J-473X	MG RESISTOR	47kΩ 1/16W J
C972	QETN1EM-476Z	E CAPACITOR	47uF 25V M	R449	NRSA63J-103X	MG RESISTOR	10kΩ 1/16W J
C973	QETN1HM-106Z	E CAPACITOR	10uF 50V M	R501	NRSA63J-0R0X	MG RESISTOR	0Ω 1/16W J
△C997	QCZ9052-102	C CAPACITOR	1000pF AC125V M	R502	NRSA63J-271X	MG RESISTOR	270Ω 1/16W J
△C998	QCZ9074-103	C CAPACITOR	0.01uF 250V	R503	QRE121J-103Y	C RESISTOR	10kΩ 1/2W J
△C999	QCZ9074-103	C CAPACITOR	0.01uF 250V	R504	QRL039J-102	OMF RESISTOR	1kΩ 3W J
				R505	QRL039J-102	OMF RESISTOR	1kΩ 3W J
R002	NRSA63J-0R0X	MG RESISTOR	0Ω 1/16W J	R511	QRE121J-220Y	C RESISTOR	22Ω 1/2W J
R003	NRSA63J-101X	MG RESISTOR	100Ω 1/16W J	R512	QRE121J-681Y	C RESISTOR	680Ω 1/2W J
R004	NRSA63J-101X	MG RESISTOR	100Ω 1/16W J	R523	QRJ146J-333X	UNF C RESISTOR	33kΩ 1/4W J
R005	NRSA63J-0R0X	MG RESISTOR	0Ω 1/16W J	R526	QRE121J-272Y	C RESISTOR	2.7kΩ 1/2W J
R008	NRSA63J-820X	MG RESISTOR	82Ω 1/16W J	R527	QRE121J-154Y	C RESISTOR	150kΩ 1/2W J
R009	NRSA63J-682X	MG RESISTOR	6.8kΩ 1/16W J	R528	QRE121J-154Y	C RESISTOR	150kΩ 1/2W J
R101	NRSA63J-562X	MG RESISTOR	5.6kΩ 1/16W J	R529	NRSA63J-331X	MG RESISTOR	330Ω 1/16W J
R102	NRSA63J-182X	MG RESISTOR	1.8kΩ 1/16W J	R531	QRJ146J-391X	UNF C RESISTOR	390Ω 1/4W J
R103	QRE121J-101Y	C RESISTOR	100Ω 1/2W J	R532	NRSA63J-273X	MG RESISTOR	27kΩ 1/16W J
R104	NRSA63J-180X	MG RESISTOR	18Ω 1/16W J	R533	NRSA63J-123X	MG RESISTOR	12kΩ 1/16W J
R105	NRSA63J-270X	MG RESISTOR	27Ω 1/16W J	R534	NRSA63J-123X	MG RESISTOR	12kΩ 1/16W J
R111	NRSA63J-394X	MG RESISTOR	390kΩ 1/16W J	△R535	NRVA02D-222X	CMF RESISTOR	2.2kΩ 1/10W D
R112	NRSA63J-334X	MG RESISTOR	330kΩ 1/16W J	△R537	NRVA02D-752X	CMF RESISTOR	7.5kΩ 1/10W D
R113	NRSA63J-101X	MG RESISTOR	100Ω 1/16W J	R538	NRSA63J-333X	MG RESISTOR	33kΩ 1/16W J

△Ref No.	Part No.	Part Name	Description	Local	△Ref No.	Part No.	Part Name	Description	Local
R543	QRE121J-122Y	C RESISTOR	1.2kΩ	1/2W J	R980	QRT029J-1R2	MF RESISTOR	1.2Ω	2W J
R544	QRE121J-392Y	C RESISTOR	3.9kΩ	1/2W J	△R998	QRZ9041-275	C RESISTOR	2.7MΩ	1/2W K
R545	QRE121J-822Y	C RESISTOR	8.2kΩ	1/2W J	R999	QRE121J-121Y	C RESISTOR	120Ω	1/2W J
R546	NRSA63J-331X	MG RESISTOR	330Ω	1/16W J	L001	QQL244K-560Z	COIL	56uH	K
R547	NRSA63J-104X	MG RESISTOR	100kΩ	1/16W J	L101	QQLZ014-R22	COIL	0.22uH	100mA L
R548	QRE121J-152Y	C RESISTOR	1.5kΩ	1/2W J	L113	QQL244K-4R7Z	COIL	4.7uH	K
R553	QRL039J-180	OMF RESISTOR	18Ω	3W J	L131	QQL244K-150Z	COIL	15uH	K
△R554	QRK126J-150X	UNF C RESISTOR	15Ω	1/2W J	L161	QQL244K-220Z	COIL	22uH	K
R555	QRX029J-3R3	MF RESISTOR	3.3Ω	2W J	L232	QQL244K-560Z	COIL	56uH	K
R601	NRSA63J-750X	MG RESISTOR	75Ω	1/16W J	L241	QQL244K-220Z	COIL	22uH	K
R602	NRSA63J-750X	MG RESISTOR	75Ω	1/16W J	L391	QQL244K-220Z	COIL	22uH	K
R603	NRSA63J-750X	MG RESISTOR	75Ω	1/16W J	L511	QQR1027-003	LINEARITY COIL		
R610	NRSA63J-0R0X	MG RESISTOR	0Ω	1/16W J	L512	QQLZ036-821	COIL	820uH	K
R611	NRSA63J-0R0X	MG RESISTOR	0Ω	1/16W J	L521	QQLZ026-121	COIL	120uH	±7%
R612	NRSA63J-0R0X	MG RESISTOR	0Ω	1/16W J	L701	QQL244K-220Z	COIL	22uH	K
R613	NRSA63J-0R0X	MG RESISTOR	0Ω	1/16W J	L702	QQL244K-220Z	COIL	22uH	K
R621	NRSA63J-682X	MG RESISTOR	6.8kΩ	1/16W J	L704	QQL244K-220Z	COIL	22uH	K
R622	NRSA63J-681X	MG RESISTOR	680Ω	1/16W J	L705	QQL244K-220Z	COIL	22uH	K
R623	NRSA63J-682X	MG RESISTOR	6.8kΩ	1/16W J	L931	QQL26AK-470Z	COIL	47uH	K
R624	NRSA63J-681X	MG RESISTOR	680Ω	1/16W J	L933	QQL26AK-470Z	COIL	47uH	K
R626	NRSA63J-223X	MG RESISTOR	22kΩ	1/16W J	L940	QQR0582-001Z	FERRITE BEADS		
R627	NRSA63J-223X	MG RESISTOR	22kΩ	1/16W J	T111	QQR0907-001	IFT		
R631	NRSA63J-333X	MG RESISTOR	33kΩ	1/16W J	T501	CE42034-002	HOR DRIVE TRANS		
R632	NRSA63J-223X	MG RESISTOR	22kΩ	1/16W J	△T502	QQH0121-001	FB TRANSF		
R638	NRSA63J-0R0X	MG RESISTOR	0Ω	1/16W J	△T921	QQS0138-001	SW TRANSF		
R639	NRSA63J-0R0X	MG RESISTOR	0Ω	1/16W J	△T951	QQT0372-001	POWER TRANSF		
R651	NRSA63J-0R0X	MG RESISTOR	0Ω	1/16W J	CF001	QAX0349-001	C TRAP	47.25MHz	
R652	NRSA63J-0R0X	MG RESISTOR	0Ω	1/16W J	CF131	QAX0639-001Z	C TRAP	4.500MHz	
R653	NRSA63J-0R0X	MG RESISTOR	0Ω	1/16W J	CF161	QAX0642-001Z	C FILTER	4.500MHz	
R700	NRSA63J-102X	MG RESISTOR	1kΩ	1/16W J	CN001	QGB1505J1-35	CONNECTOR	B-B (1-35)	
R701	NRSA63J-103X	MG RESISTOR	10kΩ	1/16W J	CN004	QGA2501C5-05Z	CONNECTOR	W-B (1-5)	
R702	NRSA63J-102X	MG RESISTOR	1kΩ	1/16W J	CN005	QGA2501C5-04Z	CONNECTOR	W-B (1-4)	
R704	NRSA63J-472X	MG RESISTOR	4.7kΩ	1/16W J	CN007	QGA2501C5-06Z	CONNECTOR	W-B (1-6)	
R705	NRSA63J-472X	MG RESISTOR	4.7kΩ	1/16W J	CN00C	QGA2501F1-06	CONNECTOR	W-B (1-6)	
R706	NRSA63J-472X	MG RESISTOR	4.7kΩ	1/16W J	CN0B1	QGA2501C5-03Z	CONNECTOR	W-B (1-3)	
R707	NRSA63J-103X	MG RESISTOR	10kΩ	1/16W J	CN0E1	CE41507-001P	LV CONNECTOR		
R708	NRSA63J-101X	MG RESISTOR	100Ω	1/16W J	CN0HV	QQZ5004C1-06	CONNECTOR	(1-6)	
R709	NRSA63J-101X	MG RESISTOR	100Ω	1/16W J	CN0S1	QGA2501C5-03Z	CONNECTOR	W-B (1-3)	
R715	NRSA63J-103X	MG RESISTOR	10kΩ	1/16W J	CN0SS	QGA2501C5-04Z	CONNECTOR	W-B (1-4)	
R718	NRSA63J-223X	MG RESISTOR	22kΩ	1/16W J	△CP932	ICP-N70-T	IC PROTECTOR	2.5A	
R721	NRSA63J-102X	MG RESISTOR	1kΩ	1/16W J	△CP936	ICP-N70-T	IC PROTECTOR	2.5A	
R728	NRSA63J-102X	MG RESISTOR	1kΩ	1/16W J	△F901	QMF0007-5R0J1	FUSE	5A	
R729	NRSA63J-223X	MG RESISTOR	22kΩ	1/16W J	△F905	QMFZ049-5R0Z-E	FUSE	5A 125V	
R731	NRSA63J-101X	MG RESISTOR	100Ω	1/16W J	FC901	CEMG002-001Z	FUSE CLIP		
R732	NRSA63J-101X	MG RESISTOR	100Ω	1/16W J	FC902	CEMG002-001Z	FUSE CLIP		
R733	NRSA63J-472X	MG RESISTOR	4.7kΩ	1/16W J	△FR525	QRZ9017-4R7	FUSI RESISTOR	4.7Ω	1/4W J
R734	NRSA63J-472X	MG RESISTOR	4.7kΩ	1/16W J	△FR527	QRZ9011-470	FUSI RESISTOR	47Ω	1/2W J
R739	NRSA63J-0R0X	MG RESISTOR	0Ω	1/16W J	HS001	CEHE011-001WU	HEAT SINK		
R740	NRSA63J-103X	MG RESISTOR	10kΩ	1/16W J	HS002	LC31678-001A	HEAT SINK/AL-F/		
R764	NRSA63J-221X	MG RESISTOR	220Ω	1/16W J	HS003	LC31677-001A	HEAT SINK/AL-F/		
R765	NRSA63J-221X	MG RESISTOR	220Ω	1/16W J	HS004	CEHE015-001WU	HEAT SINK		
R766	NRSA63J-221X	MG RESISTOR	220Ω	1/16W J	HS005	CM42862-00G-H	HEAT SINK ASSY		
R767	NRSA63J-221X	MG RESISTOR	220Ω	1/16W J	HS007	CEHT11B-002QS	HEAT SINK		
R769	NRSA63J-682X	MG RESISTOR	6.8kΩ	1/16W J	J601	QNN0349-002	PIN JACK	COMP IN	
R772	NRSA63J-103X	MG RESISTOR	10kΩ	1/16W J	K401	QQR0621-002Z	FERRITE BEADS		
R811	NRSA63J-473X	MG RESISTOR	47kΩ	1/16W J	K912	QQR0582-001Z	FERRITE BEADS		
R816	NRSA63J-124X	MG RESISTOR	120kΩ	1/16W J	K916	QQR0582-001Z	FERRITE BEADS		
R821	NRSA63J-184X	MG RESISTOR	180kΩ	1/16W J	K917	QQR0582-001Z	FERRITE BEADS		
R822	NRSA63J-0R0X	MG RESISTOR	0Ω	1/16W J	K918	QQR0582-001Z	FERRITE BEADS		
R827	NRSA63J-102X	MG RESISTOR	1kΩ	1/16W J	K931	QQR0582-001Z	FERRITE BEADS		
R855	QRG039J-100	OMF RESISTOR	10Ω	3W J	K932	QQR0582-001Z	FERRITE BEADS		
R857	QRL029J-470	OMF RESISTOR	47Ω	2W J	K933	QQR0621-002Z	FERRITE BEADS		
R858	QRL029J-820	OMF RESISTOR	82Ω	2W J	K935	QQR0582-001Z	FERRITE BEADS		
R901	QRF074K-R47	UNF WW RESISTOR	0.47Ω	7W K	K935	QQR0582-001Z	FERRITE BEADS		
R909	QRG01GJ-470	OMF RESISTOR	47Ω	1W J	LC601	QQR1199-001	EMI FILTER		
R911	QRE121J-223Y	C RESISTOR	22kΩ	1/2W J	LC602	QQR1199-001	EMI FILTER		
R912	QRT029J-R22	MF RESISTOR	0.22Ω	2W J	LC603	QQR1199-001	EMI FILTER		
R913	QRT029J-R22	MF RESISTOR	0.22Ω	2W J	△LF901	QQR1085-003	LINE FILTER		
△R914	QRK126J-681X	UNF C RESISTOR	680Ω	1/2W J	△RY951	QSK0086-001	RELAY		
△R915	QRK129J-6R8	UNF C RESISTOR	6.8Ω	1/2W J	S421	QSL4A13-C02	LEVER SWITCH	V CENTER	
△R917	QRK126J-332X	UNF C RESISTOR	3.3kΩ	1/2W J	SF101	QAX0723-001	SAW FILTER		
R918	QRE121J-222Y	C RESISTOR	2.2kΩ	1/2W J	△TH901	QAD0132-3R0	P THERMISTOR	3Ω	
R919	QRE121J-684Y	C RESISTOR	680kΩ	1/2W J	△TU001	QAU0305-001	TUNER		
R924	QRE121J-222Y	C RESISTOR	2.2kΩ	1/2W J	△VA901	ERZV10V621CS	ZNR		
R930	QRE121J-223Y	C RESISTOR	22kΩ	1/2W J	W1	NRSA63J-0R0X	MG RESISTOR	0Ω	1/16W J
R939	QRT039J-2R2	MF RESISTOR	2.2Ω	3W J	W2	NRSA63J-0R0X	MG RESISTOR	0Ω	1/16W J
R940	QRE121J-181Y	C RESISTOR	180Ω	1/2W J	W3	NRSA63J-0R0X	MG RESISTOR	0Ω	1/16W J
R941	QRL029J-183	OMF RESISTOR	18kΩ	2W J	W4	NRSA63J-0R0X	MG RESISTOR	0Ω	1/16W J
R950	NRSA63J-0R0X	MG RESISTOR	0Ω	1/16W J	W5	NRSA63J-0R0X	MG RESISTOR	0Ω	1/16W J
R951	NRSA63J-473X	MG RESISTOR	47kΩ	1/16W J	W6	NRSA63J-0R0X	MG RESISTOR	0Ω	1/16W J
R952	NRSA63J-102X	MG RESISTOR	1kΩ	1/16W J	W7	NRSA63J-0R0X	MG RESISTOR	0Ω	1/16W J
R953	QRE121J-820Y	C RESISTOR	82Ω	1/2W J	W8	NRSA63J-0R0X	MG RESISTOR	0Ω	1/16W J
R973	QRE121J-272Y	C RESISTOR	2.7kΩ	1/2W J	W9	NRSA63J-0R0X	MG RESISTOR	0Ω	1/16W J
R975	QRE121J-223Y	C RESISTOR	22kΩ	1/2W J	W10	NRSA63J-0R0X	MG RESISTOR	0Ω	1/16W J
R977	QRE121J-473Y	C RESISTOR	47kΩ	1/2W J	W11	NRSA63J-0R0X	MG RESISTOR	0Ω	1/16W J
R978	NRSA63J-333X	MG RESISTOR	33kΩ	1/16W J	W12	NRSA63J-0R0X	MG RESISTOR	0Ω	1/16W J
R979	QRT029J-1R2	MF RESISTOR	1.2Ω	2W J					

△Ref No.	Part No.	Part Name	Description Local
W13	NRSA63J-0R0X	MG RESISTOR	0Ω 1/16W J
W14	NRSA63J-0R0X	MG RESISTOR	0Ω 1/16W J
W15	NRSA63J-0R0X	MG RESISTOR	0Ω 1/16W J
W16	NRSA63J-0R0X	MG RESISTOR	0Ω 1/16W J
W17	NRSA63J-0R0X	MG RESISTOR	0Ω 1/16W J
W18	NRSA63J-0R0X	MG RESISTOR	0Ω 1/16W J
W19	NRSA63J-0R0X	MG RESISTOR	0Ω 1/16W J
W20	NRSA63J-0R0X	MG RESISTOR	0Ω 1/16W J
W21	NRSA63J-0R0X	MG RESISTOR	0Ω 1/16W J
W22	NRSA63J-0R0X	MG RESISTOR	0Ω 1/16W J
W23	NRSA63J-0R0X	MG RESISTOR	0Ω 1/16W J
W24	NRSA63J-0R0X	MG RESISTOR	0Ω 1/16W J
W25	NRSA63J-0R0X	MG RESISTOR	0Ω 1/16W J
W26	NRSA63J-0R0X	MG RESISTOR	0Ω 1/16W J
W27	NRSA63J-0R0X	MG RESISTOR	0Ω 1/16W J
W28	NRSA63J-0R0X	MG RESISTOR	0Ω 1/16W J
X701	QAX0717-001Z	CRYSTAL	8.000MHz
Y402	NRSA63J-0R0X	MG RESISTOR	0Ω 1/16W J
Y405	NRSA63J-0R0X	MG RESISTOR	0Ω 1/16W J
Y411	NRSA63J-0R0X	MG RESISTOR	0Ω 1/16W J
Y414	NRSA63J-0R0X	MG RESISTOR	0Ω 1/16W J
Y701	QRE141J-0R0Y	C RESISTOR	0Ω 1/4W J

CRT SOCKET PW BOARD ASS'Y (SGE-3061A-M2)

REFER TO PARTS LIST IN PAGE 3-8 FOR THIS P.W. BOARD.

AV SELECTER PW BOARD ASS'Y (SGE-5061A-M2)

REFER TO PARTS LIST IN PAGE 3-22 FOR THIS P.W. BOARD.

**FRONT TERMINAL PW BOARD ASS'Y
(SGE-6061A-M2)**

REFER TO PARTS LIST IN PAGE 3-9 FOR THIS P.W. BOARD.

**FRONT CONTROL PW BOARD ASS'Y
(SGE-7061A-M2)**

REFER TO PARTS LIST IN PAGE 3-9 FOR THIS P.W. BOARD.

[AV-32432/YA]
MAIN PW BOARD ASS'Y (SGE-1062A-M2)

△Ref No.	Part No.	Part Name	Description Local
IC101	M52342SP	IC	
IC201	TM8812CPDNG4N35	IC(MCU)	
IC421	LA7841	IC	
IC621	LA4485	IC	
IC702	AT24C04W-32430	IC	(SERVICE)
IC703	S-80840CNY-T	IC	
IC704	AN78L05-T	IC	
IC852	AN7809F	IC	
IC853	AN7805F	IC	
△IC911	STR-G6624/F8	IC	
△IC921	SE135N	IC	
Q001	UN2212-X	DIGI TRANSISTOR	
Q101	2SC5083/L-P/-T	TRANSISTOR	
Q131	2SB709A/QR/-X	TRANSISTOR	
Q161	2SD601A/QR/-X	TRANSISTOR	
Q211	2SD601A/QR/-X	TRANSISTOR	
Q232	2SD601A/QR/-X	TRANSISTOR	
Q233	2SD601A/QR/-X	TRANSISTOR	
Q352	2SD601A/QR/-X	TRANSISTOR	
Q431	UN2212-X	DIGI TRANSISTOR	
Q501	2SC4212/Z1/	TRANSISTOR	
△Q511	2SD2645-YD	TRANSISTOR	H OUT
Q531	2SC2785/JH/-T	SI TRANSISTOR	
Q532	2SB709A/QR/-X	TRANSISTOR	
Q541	2SB709A/QR/-X	TRANSISTOR	
Q542	2SB709A/QR/-X	TRANSISTOR	
Q543	2SD1408/OY/-LB	POW TRANSISTOR	
Q622	2SD601A/QR/-X	TRANSISTOR	
Q623	UN2212-X	DIGI TRANSISTOR	
Q701	2SB709A/QR/-X	TRANSISTOR	
Q951	2SD1383K/AB/-X	TRANSISTOR	
Q971	2SA1208/ST/Z1-T	TRANSISTOR	
D305	1SS133-T2	DIODE	
D306	1SS133-T2	DIODE	
D307	1SS133-T2	DIODE	
D308	1SS133-T2	DIODE	
D309	1SS133-T2	DIODE	
D310	1SS133-T2	DIODE	
D352	MTZJ9.1C-T2	Z DIODE	
D353	1SS133-T2	DIODE	
D354	MTZJ3.3A-T2	Z DIODE	
D421	1N4003-T2	SI DIODE	
D422	MTZJ75-T2	Z DIODE	
D432	1SS133-T2	DIODE	
D501	RH3G-F1	SI DIODE	
D502	RU3AM-LFC4	SI DIODE	
D521	RH1S-T3	SI DIODE	
D523	RGP10J-5025-T3	SI DIODE	
D525	1SS81-T5	SI DIODE	
D526	1SS81-T5	SI DIODE	
D527	1SR124-400A-T2	SI DIODE	
D529	MTZJ5.1C-T2	Z DIODE	
△D531	MA4068N/Z1/-T2	Z DIODE	
D535	1SS133-T2	DIODE	
D537	1SR35-400A-T2	SI DIODE	
D601	MTZJ9.1C-T2	Z DIODE	
D602	MTZJ9.1C-T2	Z DIODE	
D603	MTZJ9.1C-T2	Z DIODE	
D700	MTZJ5.6B-T2	Z DIODE	
D701	1SS133-T2	DIODE	
D703	MTZJ5.6B-T2	Z DIODE	
D704	MTZJ5.6B-T2	Z DIODE	
D705	1SS133-T2	DIODE	
D706	MTZJ5.6B-T2	Z DIODE	
D707	MTZJ5.6B-T2	Z DIODE	
D708	MTZJ5.6B-T2	Z DIODE	
D709	MTZJ5.6B-T2	Z DIODE	
D723	MTZJ5.6B-T2	Z DIODE	
△D901	GSIB460-S1	BRIDGE DIODE	
D910	MA700A-T2	SB DIODE	
D911	RGP10J-5025-T3	SI DIODE	
D912	RGP10J-5025-T3	SI DIODE	
D913	RGP10J-5025-T3	SI DIODE	
D914	1SS133-T2	DIODE	
D915	SARS01-T2	SI DIODE	
D917	MTZJ30A-T2	Z DIODE	
D918	MTZJ5.1C-T2	Z DIODE	
D920	1SS133-T2	DIODE	
D931	RU30A-F1	SI DIODE	
D933	RU3YX-LFC4	SI DIODE	
D935	RU3YX-LFC4	SI DIODE	

△Ref No.	Part No.	Part Name	Description Local
D941	MTZJ33A-T2	Z DIODE	
D945	MTZJ9.1B-T2	Z DIODE	
D952	1SS133-T2	DIODE	
D953	1SS133-T2	DIODE	
D954	1N4002G-T2	SI DIODE	
D955	1N4002G-T2	SI DIODE	
D956	1N4002G-T2	SI DIODE	
D957	1N4002G-T2	SI DIODE	
D972	MTZJ15C-T2	Z DIODE	
D973	1SS133-T2	DIODE	
△PC921	TLP421F/D4-GR/	PHOTO COUPLER	
C001	QETN1HM-475Z	E CAPACITOR	4.7uF 50V M
C003	QETN1HM-106Z	E CAPACITOR	10uF 50V M
C004	QETN1CM-108Z	E CAPACITOR	1000uF 16V M
C006	QETN1EM-476Z	E CAPACITOR	47uF 25V M
C101	NCB31HK-103X	C CAPACITOR	0.01uF 50V K
C102	NCB31HK-103X	C CAPACITOR	0.01uF 50V K
C104	NCB31HK-103X	C CAPACITOR	0.01uF 50V K
C105	NCB31HK-103X	C CAPACITOR	0.01uF 50V K
C106	QETN1EM-476Z	E CAPACITOR	47uF 25V M
C107	NCB31HK-103X	C CAPACITOR	0.01uF 50V K
C113	NCB31HK-103X	C CAPACITOR	0.01uF 50V K
C114	NCB31HK-103X	C CAPACITOR	0.01uF 50V K
C116	QFVF1HJ-224Z	MF CAPACITOR	0.22uF 50V J
C117	QETN1EM-476Z	E CAPACITOR	47uF 25V M
C118	NCB31HK-103X	C CAPACITOR	0.01uF 50V K
C119	NDC31HJ-681X	C CAPACITOR	680pF 50V J
C120	QETN1HM-474Z	E CAPACITOR	0.47uF 50V M
C124	NCB31HK-103X	C CAPACITOR	0.01uF 50V K
C131	NCB31HK-103X	C CAPACITOR	0.01uF 50V K
C161	QETN1HM-106Z	E CAPACITOR	10uF 50V M
C163	NDC31HJ-470X	C CAPACITOR	47pF 50V J
C164	NDC31HJ-470X	C CAPACITOR	47pF 50V J
C165	NCB31HK-103X	C CAPACITOR	0.01uF 50V K
C166	NCB31HK-103X	C CAPACITOR	0.01uF 50V K
C202	QETN1HM-105Z	E CAPACITOR	1uF 50V M
C203	NCB31HK-152X	C CAPACITOR	1500pF 50V K
C211	QENC1CM-106Z	BP E CAPACITOR	10uF 16V M
C212	NDC31HJ-100X	C CAPACITOR	10pF 50V J
C221	QETN1HM-106Z	E CAPACITOR	10uF 50V M
C222	QFVF1HJ-104Z	MF CAPACITOR	0.1uF 50V J
C223	NCB31HK-103X	C CAPACITOR	0.01uF 50V K
C233	NDC31HJ-680X	C CAPACITOR	68pF 50V J
C237	NCB31HK-103X	C CAPACITOR	0.01uF 50V K
C241	NCB31HK-103X	C CAPACITOR	0.01uF 50V K
C242	QETN1HM-225Z	E CAPACITOR	2.2uF 50V M
C243	QETN1CM-107Z	E CAPACITOR	100uF 16V M
C244	NCB31HK-103X	C CAPACITOR	0.01uF 50V K
C281	QFVF1HJ-474Z	MF CAPACITOR	0.47uF 50V J
C282	QETN1CM-107Z	E CAPACITOR	100uF 16V M
C283	NCB31HK-103X	C CAPACITOR	0.01uF 50V K
C284	QETN1HM-225Z	E CAPACITOR	2.2uF 50V M
C285	NCB31HK-103X	C CAPACITOR	0.01uF 50V K
C286	QETN1HM-106Z	E CAPACITOR	10uF 50V M
C287	QETN1CM-107Z	E CAPACITOR	100uF 16V M
C288	NCB31HK-103X	C CAPACITOR	0.01uF 50V K
C352	QETN1CM-336Z	E CAPACITOR	33uF 16V M
C354	NCB31HK-103X	C CAPACITOR	0.01uF 50V K
C391	QETN1CM-107Z	E CAPACITOR	100uF 16V M
C392	NCB31HK-103X	C CAPACITOR	0.01uF 50V K
C422	QFN32AJ-102Z	M CAPACITOR	1000pF 100V J
C424	QETN1VM-107Z	E CAPACITOR	100uF 35V M
C425	QETN1VM-477Z	E CAPACITOR	470uF 35V M
C427	QETN1HM-105Z	E CAPACITOR	1uF 50V M
C428	QETM1EM-228	E CAPACITOR	2200uF 25V M
C431	QFLC2AK-563Z	M CAPACITOR	0.056uF 100V K
C432	QETN1EM-476Z	E CAPACITOR	47uF 25V M
C433	QETN1EM-476Z	E CAPACITOR	47uF 25V M
C435	NCB21HK-183X	C CAPACITOR	0.018uF 50V K
C440	QCS32HJ-220Z	C CAPACITOR	22pF 500V J
C501	QCB32HK-151Z	C CAPACITOR	150pF 500V K
C502	QCB32HK-331Z	C CAPACITOR	330pF 500V K
C503	QEHR2CM-105Z	E CAPACITOR	1uF 160V M
C504	QEZO203-107	E CAPACITOR	100uF 160V M
C507	QEM61HK-475Z	E CAPACITOR	4.7uF 50V K
C508	QEM61HK-475Z	E CAPACITOR	4.7uF 50V K
△C510	QFZ0200-502	MPP CAPACITOR	5000pF 1.5kV H
△C513	QFZ0198-133	MPP CAPACITOR	0.013uF 1.5KV
C514	QFP32GJ-183	PP CAPACITOR	0.018uF 400V J
C515	QFZ0199-534	MPP CAPACITOR	0.53uF 250V J
C516	QCB32HK-561Z	C CAPACITOR	560pF 500V K
C521	QETN2EM-106Z	E CAPACITOR	10uF 250V M
C523	QEHR1VM-108Z	E CAPACITOR	1000uF 35V M
C525	QETN1VM-107Z	E CAPACITOR	100uF 35V M
C526	QFV21HJ-824Z	MF CAPACITOR	0.82uF 50V J

△Ref No.	Part No.	Part Name	Description Local	△Ref No.	Part No.	Part Name	Description Local
C527	QFLC2AJ-103Z	M CAPACITOR	0.01uF 100V J	R117	NRSA63J-273X	MG RESISTOR	27kΩ 1/16W J
C531	QCB32HK-102Z	C CAPACITOR	1000pF 500V K	R118	NRSA63J-223X	MG RESISTOR	22kΩ 1/16W J
C533	QETN1HM-106Z	E CAPACITOR	10uF 50V M	R131	NRSA63J-102X	MG RESISTOR	1kΩ 1/16W J
C601	QETN1EM-476Z	E CAPACITOR	47uF 25V M	R132	NRSA63J-331X	MG RESISTOR	330Ω 1/16W J
C602	QETN1EM-476Z	E CAPACITOR	47uF 25V M	R133	NRSA63J-821X	MG RESISTOR	820Ω 1/16W J
C603	QETN1EM-476Z	E CAPACITOR	47uF 25V M	R134	NRSA63J-561X	MG RESISTOR	560Ω 1/16W J
C609	QFVF1HJ-104Z	MF CAPACITOR	0.1uF 50V J	R135	NRSA63J-102X	MG RESISTOR	1kΩ 1/16W J
C610	QFVF1HJ-104Z	MF CAPACITOR	0.1uF 50V J	R161	NRSA63J-332X	MG RESISTOR	3.3kΩ 1/16W J
C611	QFVF1HJ-104Z	MF CAPACITOR	0.1uF 50V J	R162	NRSA63J-0R0X	MG RESISTOR	0Ω 1/16W J
C621	NCB31HK-102X	C CAPACITOR	1000pF 50V K	R163	NRSA63J-223X	MG RESISTOR	22kΩ 1/16W J
C622	NCF21CZ-105X	C CAPACITOR	1uF 16V Z	R164	NRSA63J-102X	MG RESISTOR	1kΩ 1/16W J
C623	NCB31HK-102X	C CAPACITOR	1000pF 50V K	R165	NRSA63J-223X	MG RESISTOR	22kΩ 1/16W J
C624	NCF21CZ-105X	C CAPACITOR	1uF 16V Z	R166	NRSA63J-103X	MG RESISTOR	10kΩ 1/16W J
C625	QETN1CM-107Z	E CAPACITOR	100uF 16V M	R167	NRSA63J-102X	MG RESISTOR	1kΩ 1/16W J
C626	QETN1EM-108Z	E CAPACITOR	1000uF 25V M	R168	NRSA63J-101X	MG RESISTOR	100Ω 1/16W J
C627	QETN1HM-474Z	E CAPACITOR	0.47uF 50V M	R169	NRSA63J-561X	MG RESISTOR	560Ω 1/16W J
C628	QETN1EM-108Z	E CAPACITOR	1000uF 25V M	R171	NRSA63J-103X	MG RESISTOR	10kΩ 1/16W J
C629	QETN1EM-108Z	E CAPACITOR	1000uF 25V M	R201	NRSA63J-223X	MG RESISTOR	22kΩ 1/16W J
C636	QETN1HM-105Z	E CAPACITOR	1uF 50V M	R212	NRSA63J-272X	MG RESISTOR	2.7kΩ 1/16W J
C637	QETN1HM-105Z	E CAPACITOR	1uF 50V M	R215	NRSA63J-562X	MG RESISTOR	5.6kΩ 1/16W J
C700	NCB31HK-102X	C CAPACITOR	1000pF 50V K	R216	NRSA63J-562X	MG RESISTOR	5.6kΩ 1/16W J
C701	QETN1HM-106Z	E CAPACITOR	10uF 50V M	R217	NRSA63J-102X	MG RESISTOR	1kΩ 1/16W J
C702	QETN1HM-106Z	E CAPACITOR	10uF 50V M	R222	NRSA63J-0R0X	MG RESISTOR	0Ω 1/16W J
C703	QETN1HM-106Z	E CAPACITOR	10uF 50V M	R227	NRSA63J-104X	MG RESISTOR	100kΩ 1/16W J
C704	QETN1CM-107Z	E CAPACITOR	100uF 16V M	R231	NRSA63J-182X	MG RESISTOR	1.8kΩ 1/16W J
C705	NCB31HK-103X	C CAPACITOR	0.01uF 50V K	R237	NRSA63J-392X	MG RESISTOR	3.9kΩ 1/16W J
C706	QETN1HM-105Z	E CAPACITOR	1uF 50V M	R238	NRSA63J-473X	MG RESISTOR	47kΩ 1/16W J
C708	NDC31HJ-220X	C CAPACITOR	22pF 50V J	R241	NRSA63J-332X	MG RESISTOR	3.3kΩ 1/16W J
C709	NDC31HJ-220X	C CAPACITOR	22pF 50V J	R243	NRSA63J-152X	MG RESISTOR	1.5kΩ 1/16W J
C711	QETN1CM-107Z	E CAPACITOR	100uF 16V M	R281	NRSA63J-182X	MG RESISTOR	1.8kΩ 1/16W J
C712	NCB31HK-103X	C CAPACITOR	0.01uF 50V K	R282	NRSA63J-392X	MG RESISTOR	3.9kΩ 1/16W J
C716	QETN1HM-106Z	E CAPACITOR	10uF 50V M	R283	NRSA63J-681X	MG RESISTOR	680Ω 1/16W J
C728	NCB31HK-103X	C CAPACITOR	0.01uF 50V K	R286	NRSA63J-472X	MG RESISTOR	4.7kΩ 1/16W J
C807	QETN1AM-477Z	E CAPACITOR	470uF 10V M	R287	NRSA63J-101X	MG RESISTOR	100Ω 1/16W J
C815	NCB31HK-103X	C CAPACITOR	0.01uF 50V K	R288	NRSA63J-471X	MG RESISTOR	470Ω 1/16W J
C853	QETN1CM-227Z	E CAPACITOR	220uF 16V M	R289	NRSA63J-154X	MG RESISTOR	150kΩ 1/16W J
C854	QETN1CM-227Z	E CAPACITOR	220uF 16V M	R290	NRSA63J-561X	MG RESISTOR	560Ω 1/16W J
C856	QETN1CM-227Z	E CAPACITOR	220uF 16V M	R292	NRSA63J-124X	MG RESISTOR	120kΩ 1/16W J
C857	QETN1CM-477Z	E CAPACITOR	470uF 16V M	R293	NRSA63J-224X	MG RESISTOR	220kΩ 1/16W J
△C901	QFZ9072-104	MM CAPACITOR	0.1uF AC250V K	R301	NRSA63J-222X	MG RESISTOR	2.2kΩ 1/16W J
△C902	QFZ9072-473	MM CAPACITOR	0.047uF AC250V K	R302	NRSA63J-222X	MG RESISTOR	2.2kΩ 1/16W J
△C904	QCZ9054-102	C CAPACITOR	1000pF AC250V Z	R303	NRSA63J-222X	MG RESISTOR	2.2kΩ 1/16W J
△C905	QCZ9054-102	C CAPACITOR	1000pF AC250V Z	R304	NRSA63J-101X	MG RESISTOR	100Ω 1/16W J
△C906	QCZ9054-102	C CAPACITOR	1000pF AC250V Z	R305	NRSA63J-101X	MG RESISTOR	100Ω 1/16W J
C907	QE20169-477	E CAPACITOR	470uF 200V M	R306	NRSA63J-101X	MG RESISTOR	100Ω 1/16W J
△C908	QCZ9054-102	C CAPACITOR	1000pF AC250V Z	R354	NRSA63J-0R0X	MG RESISTOR	0Ω 1/16W J
C912	QCZ0340-222	C CAPACITOR	2200pF 2kV K	R355	NRSA63J-0R0X	MG RESISTOR	0Ω 1/16W J
C913	QFLC1HJ-471Z	M CAPACITOR	470pF 50V J	R356	NRSA63J-123X	MG RESISTOR	12kΩ 1/16W J
C914	QETN1HM-107Z	E CAPACITOR	100uF 50V M	R359	NRSA63J-103X	MG RESISTOR	10kΩ 1/16W J
C916	NDC31HJ-331X	C CAPACITOR	330pF 50V J	R360	NCB31HK-103X	C CAPACITOR	0.01uF 50V K
C917	NCB31HK-182X	C CAPACITOR	1800pF 50V K	R421	NRSA63J-822X	MG RESISTOR	8.2kΩ 1/16W J
C918	NCB21HK-104X	C CAPACITOR	0.1uF 50V K	R423	NRSA63J-393X	MG RESISTOR	39kΩ 1/16W J
C919	QFP32GJ-103	PP CAPACITOR	0.01uF 400V J	R424	NRSA63J-393X	MG RESISTOR	39kΩ 1/16W J
C931	QE20203-107	E CAPACITOR	100uF 160V M	R426	NRSA63J-183X	MG RESISTOR	18kΩ 1/16W J
C933	QETN1CM-108Z	E CAPACITOR	1000uF 16V M	R427	QRT029J-1R5	MF RESISTOR	1.5Ω 2W J
C934	NDC31HJ-151X	C CAPACITOR	150pF 50V J	R429	NRSA63J-272X	MG RESISTOR	2.7kΩ 1/16W J
C935	QETN1EM-108Z	E CAPACITOR	1000uF 25V M	R430	NRSA63J-0R0X	MG RESISTOR	0Ω 1/16W J
C937	QCZ0340-102	C CAPACITOR	1000pF 2kV K	R431	NRSA63J-152X	MG RESISTOR	1.5kΩ 1/16W J
C938	QETN1CM-477Z	E CAPACITOR	470uF 16V M	R432	NRSA63J-101X	MG RESISTOR	100Ω 1/16W J
C939	QCB32HK-152Z	C CAPACITOR	1500pF 500V K	R433	NRSA63J-681X	MG RESISTOR	680Ω 1/16W J
C941	QCB32HK-102Z	C CAPACITOR	1000pF 500V K	R434	QRL029J-181	OMF RESISTOR	180Ω 2W J
C942	QEHR1HM-105Z	E CAPACITOR	1uF 50V M	R435	QRE121J-102Y	C RESISTOR	1kΩ 1/2W J
C951	QETN1EM-477Z	E CAPACITOR	470uF 25V M	R441	NRSA63J-0R0X	MG RESISTOR	0Ω 1/16W J
C952	QETN1CM-227Z	E CAPACITOR	220uF 16V M	R447	NRSA63J-104X	MG RESISTOR	100kΩ 1/16W J
C971	QETN1CM-107Z	E CAPACITOR	100uF 16V M	R448	NRSA63J-473X	MG RESISTOR	47kΩ 1/16W J
C972	QETN1EM-476Z	E CAPACITOR	47uF 25V M	R449	NRSA63J-103X	MG RESISTOR	10kΩ 1/16W J
C973	QETN1HM-106Z	E CAPACITOR	10uF 50V M	R501	NRSA63J-0R0X	MG RESISTOR	0Ω 1/16W J
△C997	QCZ9052-102	C CAPACITOR	1000pF AC125V M	R502	NRSA63J-271X	MG RESISTOR	270Ω 1/16W J
△C998	QCZ9074-103	C CAPACITOR	0.01uF 250V	R503	QRE121J-103Y	C RESISTOR	10kΩ 1/2W J
△C999	QCZ9074-103	C CAPACITOR	0.01uF 250V	R504	QRL039J-102	OMF RESISTOR	1kΩ 3W J
				R505	QRL039J-102	OMF RESISTOR	1kΩ 3W J
R002	NRSA63J-0R0X	MG RESISTOR	0Ω 1/16W J	R511	QRE121J-220Y	C RESISTOR	22Ω 1/2W J
R003	NRSA63J-101X	MG RESISTOR	100Ω 1/16W J	R512	QRE121J-681Y	C RESISTOR	680Ω 1/2W J
R004	NRSA63J-101X	MG RESISTOR	100Ω 1/16W J	R523	QRJ146J-333X	UNF C RESISTOR	33kΩ 1/4W J
R005	NRSA63J-0R0X	MG RESISTOR	0Ω 1/16W J	R526	QRE121J-272Y	C RESISTOR	2.7kΩ 1/2W J
R008	NRSA63J-820X	MG RESISTOR	82Ω 1/16W J	R527	QRE121J-154Y	C RESISTOR	150kΩ 1/2W J
R009	NRSA63J-682X	MG RESISTOR	6.8kΩ 1/16W J	R528	QRE121J-154Y	C RESISTOR	150kΩ 1/2W J
R101	NRSA63J-562X	MG RESISTOR	5.6kΩ 1/16W J	R529	NRSA63J-331X	MG RESISTOR	330Ω 1/16W J
R102	NRSA63J-182X	MG RESISTOR	1.8kΩ 1/16W J	R531	QRJ146J-391X	UNF C RESISTOR	390Ω 1/4W J
R103	QRE121J-101Y	C RESISTOR	100Ω 1/2W J	R532	NRSA63J-273X	MG RESISTOR	27kΩ 1/16W J
R104	NRSA63J-180X	MG RESISTOR	18Ω 1/16W J	R533	NRSA63J-123X	MG RESISTOR	12kΩ 1/16W J
R105	NRSA63J-270X	MG RESISTOR	27Ω 1/16W J	R534	NRSA63J-123X	MG RESISTOR	12kΩ 1/16W J
R111	NRSA63J-394X	MG RESISTOR	390kΩ 1/16W J	△R535	NRVA02D-222X	CMF RESISTOR	2.2kΩ 1/10W D
R112	NRSA63J-334X	MG RESISTOR	330kΩ 1/16W J	△R537	NRVA02D-752X	CMF RESISTOR	7.5kΩ 1/10W D
R113	NRSA63J-101X	MG RESISTOR	100Ω 1/16W J	R538	NRSA63J-333X	MG RESISTOR	33kΩ 1/16W J
R115	NRSA63J-101X	MG RESISTOR	100Ω 1/16W J	R543	QRE121J-122Y	C RESISTOR	1.2kΩ 1/2W J
R116	NRSA63J-680X	MG RESISTOR	68Ω 1/16W J	R544	QRE121J-392Y	C RESISTOR	3.9kΩ 1/2W J

△Ref No.	Part No.	Part Name	Description Local	△Ref No.	Part No.	Part Name	Description Local
R545	QRE121J-822Y	C RESISTOR	8.2kΩ 1/2W J	R999	QRE121J-121Y	C RESISTOR	120Ω 1/2W J
R546	NRSA63J-331X	MG RESISTOR	330Ω 1/16W J	L001	QQL244K-560Z	COIL	56uH K
R547	NRSA63J-104X	MG RESISTOR	100kΩ 1/16W J	L101	QQLZ014-R22	COIL	0.22uH 100mA L
R548	QRE121J-152Y	C RESISTOR	1.5kΩ 1/2W J	L113	QQL244K-4R7Z	COIL	4.7uH K
R553	QRL039J-180	OMF RESISTOR	18Ω 3W J	L131	QQL244K-150Z	COIL	15uH K
△R554	QRK126J-150X	UNF C RESISTOR	15Ω 1/2W J	L161	QQL244K-220Z	COIL	22uH K
R555	QRX029J-3R3	MF RESISTOR	3.3Ω 2W J	L232	QQL244K-560Z	COIL	56uH K
R601	NRSA63J-750X	MG RESISTOR	75Ω 1/16W J	L241	QQL244K-220Z	COIL	22uH K
R602	NRSA63J-750X	MG RESISTOR	75Ω 1/16W J	L391	QQL244K-220Z	COIL	22uH K
R603	NRSA63J-750X	MG RESISTOR	75Ω 1/16W J	L511	QQR1027-003	LINEARITY COIL	
R610	NRSA63J-0R0X	MG RESISTOR	0Ω 1/16W J	L512	QQLZ036-821	COIL	820uH K
R611	NRSA63J-0R0X	MG RESISTOR	0Ω 1/16W J	L521	QQLZ026-121	COIL	120uH ±7%
R612	NRSA63J-0R0X	MG RESISTOR	0Ω 1/16W J	L701	QQL244K-220Z	COIL	22uH K
R613	NRSA63J-0R0X	MG RESISTOR	0Ω 1/16W J	L702	QQL244K-220Z	COIL	22uH K
R621	NRSA63J-682X	MG RESISTOR	6.8kΩ 1/16W J	L704	QQL244K-220Z	COIL	22uH K
R622	NRSA63J-681X	MG RESISTOR	680Ω 1/16W J	L705	QQL244K-220Z	COIL	22uH K
R623	NRSA63J-682X	MG RESISTOR	6.8kΩ 1/16W J	L931	QQL26AK-470Z	COIL	47uH K
R624	NRSA63J-681X	MG RESISTOR	680Ω 1/16W J	L933	QQL26AK-470Z	COIL	47uH K
R626	NRSA63J-223X	MG RESISTOR	22kΩ 1/16W J	L940	QQR0582-001Z	FERRITE BEADS	
R627	NRSA63J-223X	MG RESISTOR	22kΩ 1/16W J	T111	QQR0907-001	IFT	
R631	NRSA63J-333X	MG RESISTOR	33kΩ 1/16W J	T501	CE42034-002	HOR DRIVE TRANS	
R632	NRSA63J-223X	MG RESISTOR	22kΩ 1/16W J	△T502	QQH0121-001	FB TRANSF	
R638	NRSA63J-0R0X	MG RESISTOR	0Ω 1/16W J	△T921	QQS0138-001	SW TRANSF	
R639	NRSA63J-0R0X	MG RESISTOR	0Ω 1/16W J	△T951	QQT0372-001	POWER TRANSF	
R651	NRSA63J-0R0X	MG RESISTOR	0Ω 1/16W J	CF001	QAX0349-001	C TRAP	47.25MHz
R652	NRSA63J-0R0X	MG RESISTOR	0Ω 1/16W J	CF131	QAX0639-001Z	C TRAP	4.500MHz
R653	NRSA63J-0R0X	MG RESISTOR	0Ω 1/16W J	CF161	QAX0642-001Z	C FILTER	4.500MHz
R700	NRSA63J-102X	MG RESISTOR	1kΩ 1/16W J	CN001	QGB1505J1-35	CONNECTOR	B-B (1-35)
R701	NRSA63J-103X	MG RESISTOR	10kΩ 1/16W J	CN004	QGA2501C5-05Z	CONNECTOR	W-B (1-5)
R702	NRSA63J-102X	MG RESISTOR	1kΩ 1/16W J	CN005	QGA2501C5-04Z	CONNECTOR	W-B (1-4)
R704	NRSA63J-472X	MG RESISTOR	4.7kΩ 1/16W J	CN007	QGA2501C5-06Z	CONNECTOR	W-B (1-6)
R705	NRSA63J-472X	MG RESISTOR	4.7kΩ 1/16W J	CN00C	QGA2501F1-06	CONNECTOR	W-B (1-6)
R706	NRSA63J-472X	MG RESISTOR	4.7kΩ 1/16W J	CN0B1	QGA2501C5-03Z	CONNECTOR	W-B (1-3)
R707	NRSA63J-103X	MG RESISTOR	10kΩ 1/16W J	CN0E1	CE41507-001P	LV CONNECTOR	
R708	NRSA63J-101X	MG RESISTOR	100Ω 1/16W J	CN0HV	QGZ5004C1-06	CONNECTOR	(1-6)
R709	NRSA63J-101X	MG RESISTOR	100Ω 1/16W J	CN0S1	QGA2501C5-03Z	CONNECTOR	W-B (1-3)
R715	NRSA63J-103X	MG RESISTOR	10kΩ 1/16W J	CN0SS	QGA2501C5-04Z	CONNECTOR	W-B (1-4)
R718	NRSA63J-223X	MG RESISTOR	22kΩ 1/16W J	△CP932	ICP-N70-T	IC PROTECTOR	2.5A
R721	NRSA63J-102X	MG RESISTOR	1kΩ 1/16W J	△CP936	ICP-N70-T	IC PROTECTOR	2.5A
R728	NRSA63J-102X	MG RESISTOR	1kΩ 1/16W J	△F901	QMF0007-5R0J1	FUSE	5A
R729	NRSA63J-223X	MG RESISTOR	22kΩ 1/16W J	△F905	QMFZ049-5R0Z-E	FUSE	5A 125V
R731	NRSA63J-101X	MG RESISTOR	100Ω 1/16W J	FC901	CEMG002-001Z	FUSE CLIP	
R732	NRSA63J-101X	MG RESISTOR	100Ω 1/16W J	FC902	CEMG002-001Z	FUSE CLIP	
R733	NRSA63J-472X	MG RESISTOR	4.7kΩ 1/16W J	△FR525	QRZ9017-4R7	FUSI RESISTOR	4.7Ω 1/4W J
R734	NRSA63J-472X	MG RESISTOR	4.7kΩ 1/16W J	△FR527	QRZ9011-470	FUSI RESISTOR	47Ω 1/2W J
R739	NRSA63J-0R0X	MG RESISTOR	0Ω 1/16W J	HS001	CEHE011-001WU	HEAT SINK	
R740	NRSA63J-103X	MG RESISTOR	10kΩ 1/16W J	HS002	LC31678-001A	HEAT SINK/AL-F/	
R764	NRSA63J-221X	MG RESISTOR	220Ω 1/16W J	HS003	LC31677-001A	HEAT SINK/AL-F/	
R765	NRSA63J-221X	MG RESISTOR	220Ω 1/16W J	HS004	CEHE015-001WU	HEAT SINK	
R766	NRSA63J-221X	MG RESISTOR	220Ω 1/16W J	HS005	CM42862-00G-H	HEAT SINK ASSY	
R767	NRSA63J-221X	MG RESISTOR	220Ω 1/16W J	HS007	CEHT11B-002QS	HEAT SINK	
R769	NRSA63J-682X	MG RESISTOR	6.8kΩ 1/16W J	J601	QNN0349-002	PIN JACK	COMP IN
R772	NRSA63J-103X	MG RESISTOR	10kΩ 1/16W J	K401	QQR0621-002Z	FERRITE BEADS	
R811	NRSA63J-473X	MG RESISTOR	47kΩ 1/16W J	K912	QQR0582-001Z	FERRITE BEADS	
R816	NRSA63J-124X	MG RESISTOR	120kΩ 1/16W J	K916	QQR0582-001Z	FERRITE BEADS	
R821	NRSA63J-184X	MG RESISTOR	180kΩ 1/16W J	K917	QQR0582-001Z	FERRITE BEADS	
R822	NRSA63J-0R0X	MG RESISTOR	0Ω 1/16W J	K918	QQR0582-001Z	FERRITE BEADS	
R827	NRSA63J-102X	MG RESISTOR	1kΩ 1/16W J	K931	QQR0582-001Z	FERRITE BEADS	
R855	QRG039J-100	OMF RESISTOR	10Ω 3W J	K932	QQR0582-001Z	FERRITE BEADS	
R857	QRL029J-470	OMF RESISTOR	47Ω 2W J	K933	QQR0621-002Z	FERRITE BEADS	
R858	QRL029J-820	OMF RESISTOR	82Ω 2W J	K935	QQR0582-001Z	FERRITE BEADS	
R901	QRF074K-R47	UNF WW RESISTOR	0.47Ω 7W K	LC601	QQR1199-001	EMI FILTER	
R909	QRG01GJ-470	OMF RESISTOR	47Ω 1W J	LC602	QQR1199-001	EMI FILTER	
R911	QRE121J-223Y	C RESISTOR	22kΩ 1/2W J	LC603	QQR1199-001	EMI FILTER	
R912	QRT029J-R22	MF RESISTOR	0.22Ω 2W J	△LF901	QQR1085-003	LINE FILTER	
R913	QRT029J-R22	MF RESISTOR	0.22Ω 2W J	△RY951	QSK0086-001	RELAY	
△R914	QRK126J-681X	UNF C RESISTOR	680Ω 1/2W J	S421	QSL4A13-C02	LEVER SWITCH	V CENTER
△R915	QRK129J-6R8	UNF C RESISTOR	6.8Ω 1/2W J	SF101	QAX0723-001	SAW FILTER	
△R917	QRK126J-332X	UNF C RESISTOR	3.3kΩ 1/2W J	△TH901	QAD0132-3R0	P THERMISTOR	3Ω
R918	QRE121J-222Y	C RESISTOR	2.2kΩ 1/2W J	△TU001	QAU0305-001	TUNER	
R919	QRE121J-684Y	C RESISTOR	680kΩ 1/2W J	△VA901	ERZV10V621CS	ZNR	
R924	QRE121J-222Y	C RESISTOR	2.2kΩ 1/2W J	W1	NRSA63J-0R0X	MG RESISTOR	0Ω 1/16W J
R930	QRE121J-223Y	C RESISTOR	22kΩ 1/2W J	W2	NRSA63J-0R0X	MG RESISTOR	0Ω 1/16W J
R939	QRT039J-2R2	MF RESISTOR	2.2Ω 3W J	W3	NRSA63J-0R0X	MG RESISTOR	0Ω 1/16W J
R940	QRE121J-181Y	C RESISTOR	180Ω 1/2W J	W4	NRSA63J-0R0X	MG RESISTOR	0Ω 1/16W J
R941	QRL029J-183	OMF RESISTOR	18kΩ 2W J	W5	NRSA63J-0R0X	MG RESISTOR	0Ω 1/16W J
R950	NRSA63J-0R0X	MG RESISTOR	0Ω 1/16W J	W6	NRSA63J-0R0X	MG RESISTOR	0Ω 1/16W J
R951	NRSA63J-473X	MG RESISTOR	47kΩ 1/16W J	W7	NRSA63J-0R0X	MG RESISTOR	0Ω 1/16W J
R952	NRSA63J-102X	MG RESISTOR	1kΩ 1/16W J	W8	NRSA63J-0R0X	MG RESISTOR	0Ω 1/16W J
R953	QRE121J-820Y	C RESISTOR	82Ω 1/2W J	W9	NRSA63J-0R0X	MG RESISTOR	0Ω 1/16W J
R973	QRE121J-272Y	C RESISTOR	2.7kΩ 1/2W J	W10	NRSA63J-0R0X	MG RESISTOR	0Ω 1/16W J
R975	QRE121J-223Y	C RESISTOR	22kΩ 1/2W J	W11	NRSA63J-0R0X	MG RESISTOR	0Ω 1/16W J
R977	QRE121J-473Y	C RESISTOR	47kΩ 1/2W J	W12	NRSA63J-0R0X	MG RESISTOR	0Ω 1/16W J
R978	NRSA63J-333X	MG RESISTOR	33kΩ 1/16W J	W13	NRSA63J-0R0X	MG RESISTOR	0Ω 1/16W J
R979	QRT029J-1R2	MF RESISTOR	1.2Ω 2W J	W14	NRSA63J-0R0X	MG RESISTOR	0Ω 1/16W J
R980	QRT029J-1R2	MF RESISTOR	1.2Ω 2W J				
△R998	QRZ9041-275	C RESISTOR	2.7MΩ 1/2W K				

△Ref No.	Part No.	Part Name	Description Local
W15	NRSA63J-0R0X	MG RESISTOR	0Ω 1/16W J
W16	NRSA63J-0R0X	MG RESISTOR	0Ω 1/16W J
W17	NRSA63J-0R0X	MG RESISTOR	0Ω 1/16W J
W18	NRSA63J-0R0X	MG RESISTOR	0Ω 1/16W J
W19	NRSA63J-0R0X	MG RESISTOR	0Ω 1/16W J
W20	NRSA63J-0R0X	MG RESISTOR	0Ω 1/16W J
W21	NRSA63J-0R0X	MG RESISTOR	0Ω 1/16W J
W22	NRSA63J-0R0X	MG RESISTOR	0Ω 1/16W J
W23	NRSA63J-0R0X	MG RESISTOR	0Ω 1/16W J
W24	NRSA63J-0R0X	MG RESISTOR	0Ω 1/16W J
W25	NRSA63J-0R0X	MG RESISTOR	0Ω 1/16W J
W26	NRSA63J-0R0X	MG RESISTOR	0Ω 1/16W J
W27	NRSA63J-0R0X	MG RESISTOR	0Ω 1/16W J
W28	NRSA63J-0R0X	MG RESISTOR	0Ω 1/16W J
X701	QAX0717-001Z	CRYSTAL	8.000MHZ
Y402	NRSA63J-0R0X	MG RESISTOR	0Ω 1/16W J
Y405	NRSA63J-0R0X	MG RESISTOR	0Ω 1/16W J
Y411	NRSA63J-0R0X	MG RESISTOR	0Ω 1/16W J
Y414	NRSA63J-0R0X	MG RESISTOR	0Ω 1/16W J
Y701	QRE141J-0R0Y	C RESISTOR	0Ω 1/4W J

CRT SOCKET PW BOARD ASS'Y (SGE-3062A-M2)

REFER TO PARTS LIST IN PAGE 3-18 FOR THIS P.W. BOARD.

AV SELECTER PW BOARD ASS'Y (SGE-5061A-M2)

REFER TO PARTS LIST IN PAGE 3-22 FOR THIS P.W. BOARD.

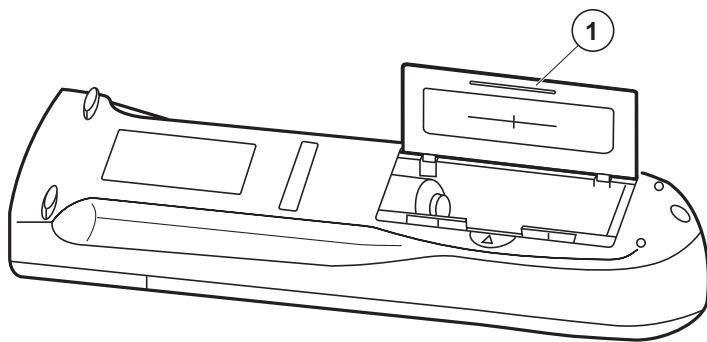
**FRONT TERMINAL PW BOARD ASS'Y
(SGE-6061A-M2)**

REFER TO PARTS LIST IN PAGE 3-9 FOR THIS P.W. BOARD.

**FRONT CONTROL PW BOARD ASS'Y
(SGE-7061A-M2)**

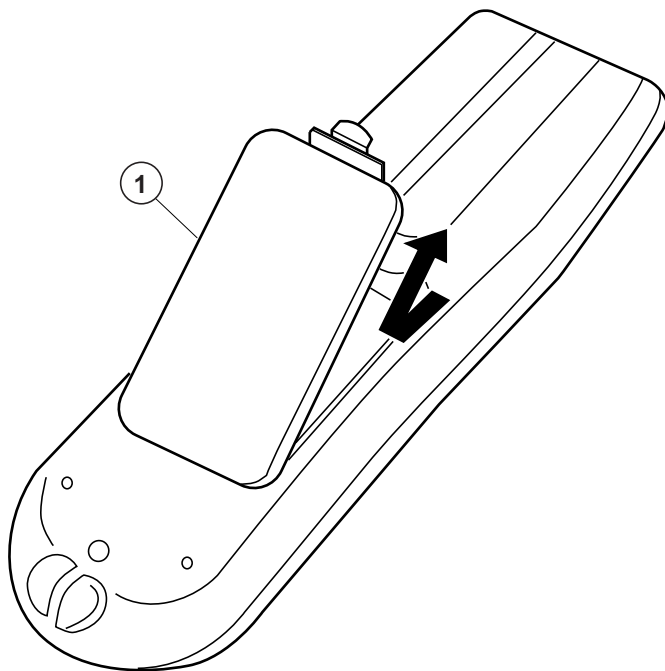
REFER TO PARTS LIST IN PAGE 3-9 FOR THIS P.W. BOARD.

REMOTE CONTROL UNIT PARTS LIST (RM-C1255G-1H)



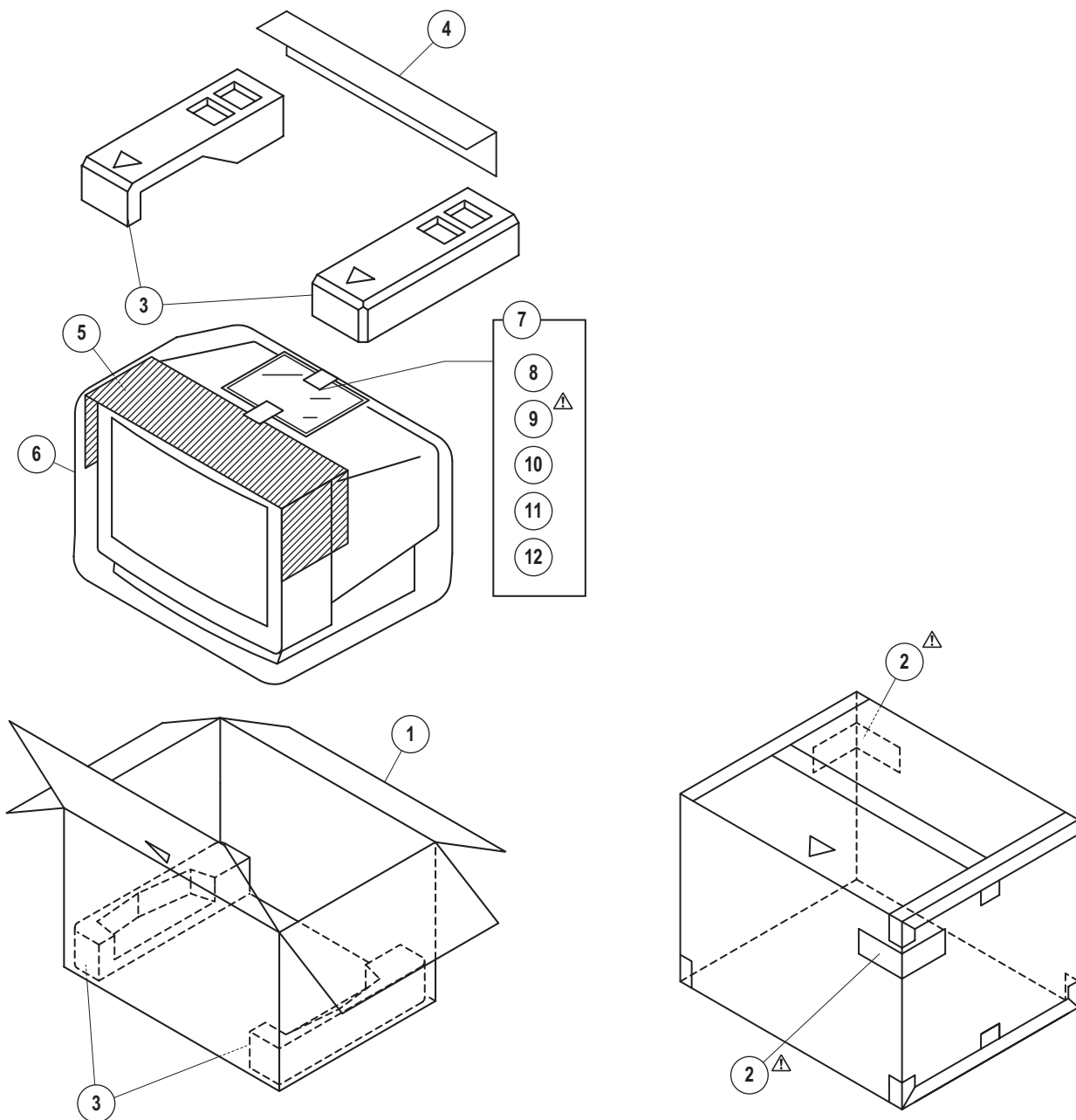
△ Ref.No.	Part No.	Part Name	Description	Local
1	UR77EC0603	BATTERY COVER		

REMOTE CONTROL UNIT PARTS LIST (RM-C203-1C)



△ Ref.No.	Part No.	Part Name	Description	Local
1	LP40991-001C	BATTERY COVER		

PACKING



PACKING PARTS LIST

△ Ref.No.	Part No.	Part Name	Description	Local
1	CP11499-D18-A	PACKING CASE		
△ 2	CM36616-001-A	CORNER LABEL		
3	LC10176-002C-A	CUSHION ASSY	4pcs in 1set	
4	GQ30043-008A-A	TOP PAD		
5	CP30055-A02-A	TOP COVER		
6	CP30056-A04-A	POLY BAG		
7	QPA02503505	POLY BAG	25cm x 35cm	
8	RM-C203-1C	REMOCON UNIT		AV-32430MA, AV-32430RA, AV-32430YA
8	RM-C1255G-1H	REMOCON UNIT		AV-32432MA, AV-32432RA, AV-32432YA
△ 9	LCT1319-001A-A	INST BOOK		
10	BT-51028-2Q	REGISTRATION C		
11	BT-52006-1Q	WARRANTY CARD		AV-32430MA, AV-32430RA, AV-32430YA
11	BT-52006-2Q	WARRANTY CARD		AV-32432MA, AV-32432RA, AV-32432YA
12	-----	DRY BATTERY	R6P AA (x2)	