

Display

Date: August 24, 1992

Subject: PART REGISTRATION—G COMPL

Model: PVM-2530

Serial No: ALL

DESCRIPTION

The GA and GB boards are now registered as G COMPL assembly, part number A-1245-388-A. Update the PVM-2530 Service Manual as shown in Figure 1.

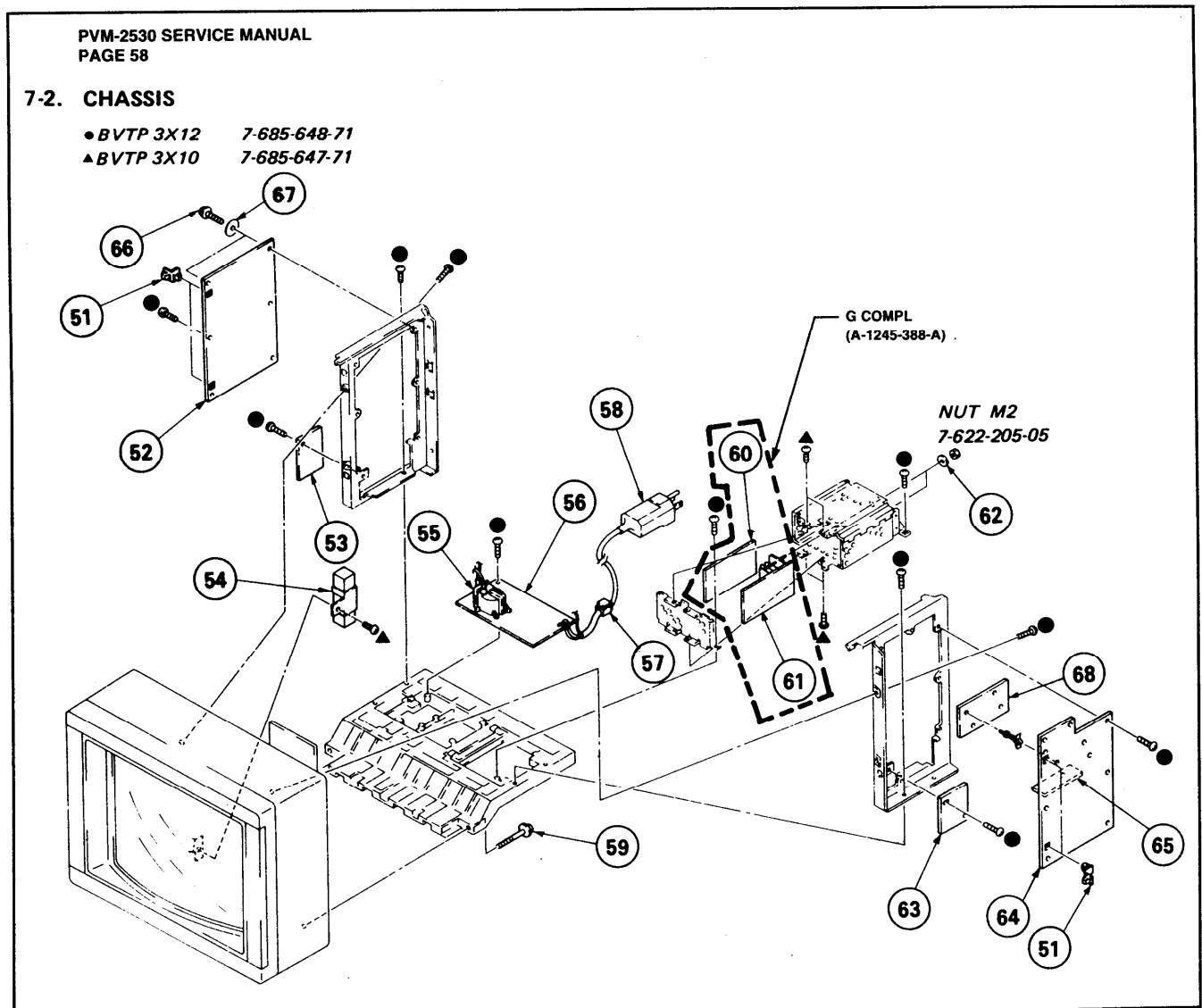


Figure 1