

SONY®

LCD VIDEO MONITOR

PVM-L1700

TRIMASTER HDMI



OPERATION MANUAL English
1st Edition (Revised 2)

Before operating the unit, please read this manual thoroughly and retain it for future reference.

Important Safety Instructions

- Read these instructions.
- Keep these instructions.
- Heed all warnings.
- Follow all instructions.
- Do not use this apparatus near water.
- Clean only with dry cloth.
- Do not block any ventilation openings. Install in accordance with the manufacturer's instructions.
- Do not install near any heat sources such as radiators, heat registers, stoves, or other apparatus (including amplifiers) that produce heat.
- Do not defeat the safety purpose of the polarized or grounding-type plug. A polarized plug has two blades with one wider than the other. A grounding-type plug has two blades and a third grounding prong. The wide blade or the third prong are provided for your safety. If the provided plug does not fit into your outlet, consult an electrician for replacement of the obsolete outlet.
- Protect the power cord from being walked on or pinched particularly at plugs, convenience receptacles, and the point where they exit from the apparatus.
- Only use attachments/accessories specified by the manufacturer.
- Use only with the cart, stand, tripod, bracket, or table specified by the manufacturer, or sold with the apparatus. When a cart is used, use caution when moving the cart/apparatus combination to avoid injury from tip-over.



- Unplug this apparatus during lightning storms or when unused for long periods of time.
- Refer all servicing to qualified service personnel. Servicing is required when the apparatus has been damaged in any way, such as power-supply cord or plug is damaged, liquid has been spilled or objects have fallen into the apparatus, the apparatus has been exposed to rain or moisture, does not operate normally, or has been dropped.

WARNING

To reduce the risk of fire or electric shock, do not expose this apparatus to rain or moisture.

To avoid electrical shock, do not open the cabinet. Refer servicing to qualified personnel only.

THIS APPARATUS MUST BE EARTHED.

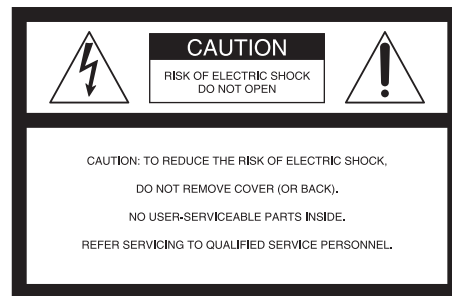
When installing the unit, incorporate a readily accessible disconnect device in the fixed wiring, or connect the power plug to an easily accessible socket-outlet near the unit. If a fault should occur during operation of the unit, operate the disconnect device to switch the power supply off, or disconnect the power plug.

CAUTION

The apparatus shall not be exposed to dripping or splashing. No objects filled with liquids, such as vases, shall be placed on the apparatus.

CAUTION

The unit is not disconnected from the AC power source (mains) as long as it is connected to the wall outlet, even if the unit itself has been turned off.



This symbol is intended to alert the user to the presence of uninsulated “dangerous voltage” within the product’s enclosure that may be of sufficient magnitude to constitute a risk of electric shock to persons.



This symbol is intended to alert the user to the presence of important operating and maintenance (servicing) instructions in the literature accompanying the appliance.

For the customers in the U.S.A.

This equipment has been tested and found to comply with the limits for a Class A digital device, pursuant to Part 15 of the FCC Rules. These limits are designed to provide reasonable protection against harmful interference when the equipment is operated in a commercial environment. This equipment generates, uses, and can radiate radio frequency energy and, if not installed and used in accordance with the instruction manual, may cause harmful interference to radio communications. Operation

of this equipment in a residential area is likely to cause harmful interference in which case the user will be required to correct the interference at his own expense.

You are cautioned that any changes or modifications not expressly approved in this manual could void your authority to operate this equipment.

All interface cables used to connect peripherals must be shielded in order to comply with the limits for a digital device pursuant to Subpart B of Part 15 of FCC Rules.

This device complies with Part 15 of the FCC Rules. Operation is subject to the following two conditions: (1) this device may not cause harmful interference, and (2) this device must accept any interference received, including interference that may cause undesired operation.

WARNING

Using this unit at a voltage other than 120 V may require the use of a different line cord or attachment plug, or both. To reduce the risk of fire or electric shock, refer servicing to qualified service personnel.

Lamp in this product contains mercury. Disposal of these materials may be regulated due to environmental considerations. For disposal or recycling information, please contact your local authorities or the Electronic Industries Alliance (www.eiae.org).

For the customers in Canada

This Class A digital apparatus complies with Canadian ICES-003.

For the customers in Europe

This product with the CE marking complies with the EMC Directive issued by the Commission of the European Community.

Compliance with this directive implies conformity to the following European standards:

- EN55103-1 : Electromagnetic Interference (Emission)
- EN55103-2 : Electromagnetic Susceptibility (Immunity)

This product is intended for use in the following Electromagnetic Environment: E4 (controlled EMC environment, ex. TV studio).

The manufacturer of this product is Sony Corporation, 1-7-1 Konan, Minato-ku, Tokyo, Japan.

The Authorized Representative for EMC and product safety is Sony Deutschland GmbH, Hedelfinger Strasse 61, 70327 Stuttgart, Germany. For any service or guarantee matters please refer to the addresses given in separate service or guarantee documents.

This apparatus shall not be used in the residential area.

For the customers in Europe, Australia and New Zealand

WARNING

This is a Class A product. In a domestic environment, this product may cause radio interference in which case the user may be required to take adequate measures.

Attention-when the product is installed in Rack:

1.Prevention against overloading of branch circuit

When this product is installed in a rack and is supplied power from an outlet on the rack, please make sure that the rack does not overload the supply circuit.

2.Providing protective earth

When this product is installed in a rack and is supplied power from an outlet on the rack, please confirm that the outlet is provided with a suitable protective earth connection.

3.Internal air ambient temperature of the rack

When this product is installed in a rack, please make sure that the internal air ambient temperature of the rack is within the specified limit of this product.

4.Prevention against achieving hazardous condition due to uneven mechanical loading

When this product is installed in a rack, please make sure that the rack does not achieve hazardous condition due to uneven mechanical loading.

5.Install the equipment while taking the operating temperature of the equipment into consideration

For the operating temperature of the equipment, refer to the specifications of the Operation Manual.

6.When performing the installation, keep the following space away from walls in order to obtain proper exhaust and radiation of heat.

Lower, Upper: 4.4 cm (1 ³/₄ inches) or more

Right, Left: 1.0 cm (³/₈ inches) or more

Back: 20 cm (7 ⁷/₈ inches) or more

For kundene i Norge

Dette utstyret kan kobles til et IT-strømfordelingssystem.

Apparatet må tilkoples jordet stikkontakt

Suomessa asuville asiakkaille

Laite on liitettävä suojamaadoituskoskettimilla varustettuun pistorasiaan

För kunderna i Sverige

Apparaten skall anslutas till jordat uttag

AVERTISSEMENT

Afin de réduire les risques d'incendie ou d'électrocution, ne pas exposer cet appareil à la pluie ou à l'humidité.

Afin d'écartier tout risque d'électrocution, garder le coffret fermé. Ne confier l'entretien de l'appareil qu'à un personnel qualifié.

CET APPAREIL DOIT ÊTRE RELIÉ À LA TERRE.

Lors de l'installation de l'appareil, incorporer un dispositif de coupure dans le câblage fixe ou brancher la fiche d'alimentation dans une prise murale facilement accessible proche de l'appareil. En cas de problème lors du fonctionnement de l'appareil, enclencher le dispositif de coupure d'alimentation ou débrancher la fiche d'alimentation.

ATTENTION

Eviter d'exposer l'appareil à un égouttement ou à des éclaboussures. Ne placer aucun objet rempli de liquide, comme un vase, sur l'appareil.

ATTENTION

Cet appareil n'est pas déconnecté de la source d'alimentation secteur tant qu'il est raccordé à la prise murale, même si l'appareil lui-même a été mis hors tension.

Pour les clients aux Etats-Uni

La lampe dans ce produit contient du mercure. La disposition de ces matériaux peut être réglementée suite à des considérations environnementales. Pour obtenir des informations de disposition ou de recyclage, veuillez communiquer avec vos autorités locales ou la Telecommunications Industry Association (www.eiae.org).

Pour les clients au Canada

Cet appareil numérique de la classe A est conforme à la norme NMB-003 du Canada.

Pour les clients en Europe

Ce produit portant la marque CE est conforme à la Directive sur la compatibilité électromagnétique (EMC) émise par la Commission de la Communauté européenne. La conformité à cette directive implique la conformité aux normes européennes suivantes:

- EN55103-1: Interférences électromagnétiques (émission)

- EN55103-2: Sensibilité électromagnétique (immunité)

Ce produit est prévu pour être utilisé dans l'environnement électromagnétique suivant: E4 (environnement EMC contrôlé, ex. studio de télévision).

Le fabricant de ce produit est Sony Corporation, 1-7-1 Konan, Minato-ku, Tokyo, Japon.

Le représentant autorisé pour EMC et la sécurité des produits est Sony Deutschland GmbH, Hedelfinger Strasse 61, 70327 Stuttgart, Allemagne. Pour toute question concernant le service ou la garantie, veuillez consulter les adresses indiquées dans les documents de service ou de garantie séparés.

Ne pas utiliser cet appareil dans une zone résidentielle.

Pour les clients en Europe, Australie et Nouvelle-Zélande

AVERTISSEMENT

Il s'agit d'un produit de Classe A. Dans un environnement domestique, cet appareil peut provoquer des interférences radio, dans ce cas l'utilisateur peut être amené à prendre des mesures appropriées.

WARNING

Um die Gefahr von Bränden oder elektrischen Schlägen zu verringern, darf dieses Gerät nicht Regen oder Feuchtigkeit ausgesetzt werden.

Um einen elektrischen Schlag zu vermeiden, darf das Gehäuse nicht geöffnet werden. Überlassen Sie Wartungsarbeiten stets nur qualifiziertem Fachpersonal.

DIESES GERÄT MUSS GEERDET WERDEN.

Beim Einbau des Geräts ist daher im Festkabel ein leicht zugänglicher Unterbrecher einzufügen, oder der Netzstecker muss mit einer in der Nähe des Geräts befindlichen, leicht zugänglichen Wandsteckdose verbunden werden. Wenn während des Betriebs eine Funktionsstörung auftritt, ist der Unterbrecher zu betätigen bzw. der Netzstecker abzuziehen, damit die Stromversorgung zum Gerät unterbrochen wird.

VORSICHT

Das Gerät ist nicht tropf- und spritzwassergeschützt. Es dürfen keine mit Flüssigkeiten gefüllten Gegenstände, z. B. Vasen, darauf abgestellt werden.

VORSICHT

Solange das Netzkabel an eine Netzsteckdose angeschlossen ist, bleibt das Gerät auch im ausgeschalteten Zustand mit dem Stromnetz verbunden.

Für Kunden in Europa

Dieses Produkt besitzt die CE-Kennzeichnung und erfüllt die EMV-Richtlinie der EG-Kommission.

Angewandte Normen:

- EN55103-1: Elektromagnetische Verträglichkeit (Störaussendung)

- EN55103-2: Elektromagnetische Verträglichkeit (Störfestigkeit)

Für die folgende elektromagnetische Umgebung: E4 (kontrollierter EMV-Bereich, z.B. Fernsehstudio).

Der Hersteller dieses Produkts ist Sony Corporation, 1-7-1 Konan, Minato-ku, Tokyo, Japan.

Der autorisierte Repräsentant für EMV und Produktsicherheit ist Sony Deutschland GmbH, Hedelfinger Strasse 61, 70327 Stuttgart, Deutschland. Bei jeglichen Angelegenheiten in Bezug auf Kundendienst oder Garantie wenden Sie sich bitte an die in den separaten Kundendienst- oder Garantiedokumenten aufgeführten Anschriften.

Dieser Apparat darf nicht im Wohnbereich verwendet werden.

Für Kunden in Europa, Australien und Neuseeland

WARNUNG

Dies ist eine Einrichtung, welche die Funk-Entstörung nach Klasse A besitzt. Diese Einrichtung kann im Wohnbereich Funkstörungen verursachen; in diesem Fall kann vom Betreiber verlangt werden, angemessene Maßnahmen durchzuführen und dafür aufzukommen.

Table of Contents

Chapter 1 Overview

Precautions	9
On Safety	9
On Installation	9
Handling the LCD Screen	9
With Protection Plate Installed	9
On Cleaning	9
On Repacking	10
On Rack Mounting	10
Functions Supported in Software Version 1.1	11
Features	12
Options	14
Input/Output Connector and Adaptor	15
Location and Function of Parts	17
Front Panel.....	17
Rear Panel.....	19

Chapter 2 Preparations

Environments of the Installation Location	21
Installing an Input Adaptor	22
Removing the Protection Plate	23
Mounting the Unit in a Rack.....	24
Connections	24
Connecting the Controller (BKM-16R).....	25
Connecting the Multiple Units with the LAN	25
Turning on the Power	27
Connecting to Power	27
Turning on the Monitor	27
Settings.....	28
Selecting the Area.....	28
Setting for the LAN to Connect the Multiple Units	29
Selecting the Monitor (Designation of the Monitor or Group ID Number).....	30
Assigning the Input Signal to the Channel	30
Setting the Display Mode of the Picture.....	31
Adjusting	31
Chroma/Phase Adjustment	31

Color Temperature (White Balance) Adjustment	32
Brightness/Contrast Adjustment	32

Chapter 3 Menu

Basic Menu Operations	34
Menu Operation Buttons	34
Displaying the Menu	35
Setting or Adjusting in the Menu Operation	35
Entering the Channel Number	37
Aborting Menu Operation	37
Menu Structure	38
Adjustment Menu	45
Overview	45
Menu Function and Operation	45
Input Configuration Menu	51
Overview	51
Menu Function and Operation	51
Display Setting Menu	57
Overview	57
Menu Function and Operation	57
Display Function Menu	59
Overview	59
Menu Function and Operation	59
System Configuration Menu	67
Overview	67
Menu Function and Operation	67
File Management Menu	74
Overview	74
Menu Function and Operation	74
Status Menu	76
Overview	76
Menu Function and Operation	76
Controller Menu	78
Overview	78
Menu Function and Operation	78
Key Protect Menu	82
Overview	82
Menu Function and Operation	82

Chapter 4 Operations

Selecting Display Mode	83
Setting the Display of Native Scan Mode	84

Selecting the Native Scan/Scan Mode	85
Displaying Two Signals on One Screen (Picture&Picture).....	86
Magnifying the Picture (Pixel Zoom).....	87
Displaying the Picture in Black Detail Mode	88
Capturing the Picture of the HD Signal (HD Frame Capture)	89
Displaying the Area Marker or Aspect Marker	90
Displaying the Audio Level Meter	90
Displaying the Time Code	91
Switching the Display of the 3D Video Signal	92
Copying the Setting or Adjustment Value to Another Monitor	93
Assigning the Function on the Function Button.....	94
Upgrading the Monitor and Controller.....	94
Saving the Upgrade Data in a “Memory Stick PRO”.....	94
Upgrading the Monitor	95
Upgrading the Controller.....	95

Appendixes

Specifications.....	97
Input Signals and Adjustable/Setting Items	99
Available Signal Systems.....	101
Available Signal Formats	103
Aperture Modification Frequency.....	109
Picture Display Size.....	110
Picture-Frame Display	113
Matrix/Gamma Setting Table.....	116
Scan Mode Image.....	123
Troubleshooting.....	126
Dimensions.....	128
Connection Cable Specifications for Color Temperature Probes	129
Inserting/Ejecting the “Memory Stick”	131
Notes on “Memory Stick”	131

Menu Index

133

Precautions

On Safety

- Operate the unit only with a power source as specified in the “Specifications” section.
- A nameplate indicating operating voltage, power consumption, etc., is located on the rear panel.
- Should any solid object or liquid fall into the cabinet, unplug the unit and have it checked by qualified personnel before operating it any further.
- Do not drop or place heavy objects on the power cord. If the power cord is damaged, turn off the power immediately. It is dangerous to use the unit with a damaged power cord.
- Unplug the unit from the wall outlet if it is not to be used for several days or more.
- Disconnect the power cord from the AC outlet by grasping the plug, not by pulling the cord.
- The socket-outlet shall be installed near the equipment and shall be easily accessible.

On Installation

- Allow adequate air circulation to prevent internal heat build-up.
Do not place the unit on surfaces (rugs, blankets, etc.) or near materials (curtains, draperies) that may block the ventilation holes.
- Do not install the unit in a location near heat sources such as radiators or air ducts, or in a place subject to direct sunlight, excessive dust, mechanical vibration or shock.

Handling the LCD Screen

- The LCD panel fitted to this unit is manufactured with high precision technology, giving a functioning pixel ratio of at least 99.99%. Thus a very small proportion

of pixels may be “stuck”, either always off (black), always on (red, green, or blue), or flashing. In addition, over a long period of use, because of the physical characteristics of the liquid crystal display, such “stuck” pixels may appear spontaneously. These problems are not a malfunction.

- Do not leave the LCD screen facing the sun as it can damage the LCD screen. Take care when you place the unit by a window.
- Do not push or scratch the LCD monitor’s screen. Do not place a heavy object on the LCD monitor’s screen. This may cause the screen to lose uniformity.
- If the unit is used in a cold place, horizontal lines or a residual image may appear on the screen. This is not a malfunction. When the monitor becomes warm, the screen returns to normal.
- If a fixed picture such as a frame of a divided picture or time code, or a still picture is displayed for a long time, an image may remain on the screen and be superimposed as a ghosting image.
- The screen and the cabinet become warm during operation. This is not a malfunction.

With Protection Plate Installed

The protection plate is installed on the monitor to protect the LCD panel at the factory.

- When viewed from an oblique angle, the picture with the protection plate installed may differ in color from that without the protection plate.
- With the protection plate installed, there may be more reflection of light than without.
- As the internal heat of the monitor increases when the protection plate is installed, the fan starts to run earlier than when the protection plate is not installed.

On Cleaning

Before cleaning

Be sure to disconnect the AC power cord from the AC outlet.

On cleaning the monitor screen

The monitor screen surface is especially treated to reduce reflection of light.

As incorrect maintenance may impair the performance of the monitor, take care with respect to the following:

- Wipe the screen gently with a soft cloth such as a cleaning cloth or glass cleaning cloth.
If you wipe the screen using too much force, the screen surface may lose uniformity or the LCD panel may malfunction.
Never use tissue as it may scar the surface of the screen.
- Stubborn stains may be removed with a soft cloth such as a cleaning cloth or glass cleaning cloth lightly dampened with water.
- Never use solvent such as alcohol, benzene or thinner, or acid, alkaline or abrasive detergent, or chemical cleaning cloth, as they will damage the screen surface.

On cleaning the cabinet

- Clean the cabinet gently with a soft dry cloth. Stubborn stains may be removed with a cloth lightly dampened with mild detergent solution, followed by wiping with a soft dry cloth.
- Use of alcohol, benzene, thinner or insecticide may damage the finish of the cabinet or remove the indications on the cabinet. Do not use these chemicals.
- If you rub on the cabinet with a stained cloth, the cabinet may be scratched.
- If the cabinet is in contact with a rubber or vinyl resin product for a long period of time, the finish of the cabinet may deteriorate or the coating may come off.

On Repacking

Do not throw away the carton and packing materials. They make an ideal container which to transport the unit.

On Rack Mounting

When the monitor is mounted on a rack, the temperature around the monitor may rise due to heat generated from other equipment and reduced air circulation, causing damage to the monitor. To prevent this, keep the space around the monitor (1U or more space above and below the monitor), and install a ventilation fan or take other effective countermeasures so that the temperature around the monitor is within the specified range: operating temperature range of 0 to 35 °C (32 to 95°F).

If you have any questions about this unit, please contact your Sony service representative.

Functions Supported in Software Version 1.1

The following new functions are supported for Version 1.1 of the PVM-L1700.

Menu	Supported function	Reference page
<ul style="list-style-type: none">• Checkerboard• L/R Switch (in the Function Switch menu of the Display Function menu) (in the Parallel Remote menu of the System Configuration menu) (in the Function Key menu of the Controller menu)	Simultaneous display or left/right switching display of the left and right 3D video signals is available by installing an optional BKM-250TG (with serial number 7100001 or higher).	66, 69, 81, 92

Features

The PVM-L1700 is 17-inch LCD Video Monitor. This is suitable for television stations or video production houses, where precise image reproduction is required.

The PVM-L1700 features flat panel and “TRIMASTER*”, which is a new technology developed for three elements, “accurate color reproduction”, “precision imaging” and “quality picture consistency”, that are in demand for professional use. “TRIMASTER” decreases the viewing difference that occurs due to the individuality of each panel. Also, the PVM-L1700 realizes the high picture quality and high-trust by the color management system with its wide color gamut device, high-resolution/precise gradation display, animation improvement technology and signal processing of high accuracy/calibration/feedback system.

* TRIMASTER is a trademark of Sony Corporation.

17-inch LCD panel developed for the PVM-L1700

The 17-inch (16.52 inch) LCD panel was developed for the PVM-L1700 and supports the full HD signal. It offers a 10-bit driver, high-speed response, high resolution and high color gradation.

12-bit precision display engine for professional use

The panel is equipped with a unique signal process engine developed for the professional use monitor. This engine incorporates 12-bit output accuracy at each process, and provides a high-quality I/P conversion algorithm, scaling processing, panel driving and a highly accurate color management system.

Multi color space

A color management system which uses the unique 3D LUT (Look Up Table) reproduces the color space that complies with the broadcast standard ITU-R BT.709, EBU and SMPTE-C accurately.

High-quality I/P conversion processing

A high-quality picture near the original one, in which jagged lines and conversion errors are decreased by detecting the feature of the picture inside the subdivided block and processing properly, is reproduced. The signal delay is decreased by judging the animation or still picture from the past video signal.

Interlace display mode

The interlace signal is displayed as the interlace picture by inserting the black line without I/P conversion processing. A picture faithful to the original signal and with the same feel as a CRT is gained.

For setting the display, see “Selecting Display Mode” on page 83.

Black frame insertion display mode

Motion blur caused by the holding-type display of the LCD is decreased by inserting the black frame between the picture frames in double frame rate (100/120Hz) operation of the LCD panel.

For setting the display, see “Selecting Display Mode” on page 83.

Available to a multi signal format

The monitor supports various input signals such as 720 × 576/50i to 1920 × 1080/50P, 60P and variable computer signals up to 1920 × 1080. A DVI-D (HDCP correspondence), HDMI* (HDCP correspondence) and four option slots are equipped as the interface and the monitor supports HD-SDI, Dual-link HD-SDI, 3G-SDI, SD-SDI, RGB, YPbPr, Y/C and composite signal input.

* HDMI, the HDMI logo and High-Definition Multimedia Interface are trademarks or registered trademarks of HDMI Licensing LLC.

HD frame capture function

The frame of the 3G/HD-SDI input signal is captured and saved as a picture file in the “Memory Stick”. This is used to confirm the color tone and picture angle of the current scene and recorded scene by using the multi display (Picture&Picture) function.

* As the frame of the input signal is captured, the data and marker set by the monitor is not reflected.

For the operation, see “Capturing the Picture of the HD Signal (HD Frame Capture)” on page 89.

Multi display function

Two kinds of input signals are output on the monitor. Side by Side mode is useful for adjusting the color or comparing two pictures.

For the operation, see “Displaying Two Signals on One Screen (Picture&Picture)” on page 86.

Pixel zoom function

As part of the picture is magnified up to 8 times without scaling processing, this is convenient for confirming a minute part of the signal.

For the operation, see “Magnifying the Picture (Pixel Zoom)” on page 87.

Safe area marker and aspect marker functions

The monitor is equipped with two area markers and center marker as the safe area marker and aspect marker for confirming the picture angle.

For the operation, see “Displaying the Area Marker or Aspect Marker” on page 90.

Scan selection/Native scan display function

You can select from under scan (–3%), normal scan (0%) and over scan (mask of the 5% over scan portion in the normal scan) for the picture display.

The monitor is equipped with a native scan display function which maps the pixel of the signal to the panel in one-to-one mode. You can select the mode from ×1, ×2 or Aspect Correction to display a signal in native mode. An SD signal of non-square pixels (the number of H pixels of the signal system is 720 or 1440) or a 640 × 480 SD signal of DVI video/HDMI video is displayed correctly by scaling processing of doubling for the V direction and correct aspect ratio for the H direction, and the picture is also optimized and displayed by modifying the aperture coefficient value, filter coefficient value, etc. in Aspect Correction mode.

For the operation, see “Selecting the Native Scan/Scan Mode” on page 85.

Black detail mode display function

You can reduce to dull black color by backlight leaking and precisely assess any parts with low color gradation. You can decrease the black level up to 40% of the normal display (100 cd/m² at 100% signal). The parts with high color gradation (higher than 75 IRE) are clipped by the dynamic range of the circuit, but a zebra pattern (selectable) is displayed in the clipped portions.

For the operation, see “Displaying the Picture in Black Detail Mode” on page 88.

Aspect selectable function

A squeezed and recorded signal is displayed with the correct angle. You can select from 4:3 and 16:9 aspect modes.

Remote control function (Ethernet control)

The controller controls up to 32 monitors by the Ethernet (10BASE-T/100BASE-TX) connection. Up to four controllers are connected to one monitor in single mode. You can control individual monitors or monitor groups simply by entering the monitor ID number or group ID number. You can also execute the same operation on all connected monitors, or put all connected monitors into the same setup and adjustment state.

Closed caption display function

EIA/CEA-608 or EIA/CEA-708 standard closed caption signals superimposed on the SDI signals are displayed by installing the optional input adaptor (BKM-244CC).

Audio level meter/time code display function

Audio level of the embedded audio and time code signals superimposed on the SDI signals are displayed by installing the optional input adaptor (BKM-250TG).

3D signal analyzing function

Left (L) and right (R) 3D video signals can be displayed in a checkerboard pattern on the same screen, or they can be switched alternately by installing the optional input adaptor (BKM-250TG with serial number 7100001 or higher). For this function, two-dimensional (2D) view is used. The signals are not displayed in stereoscopic view.

For the operation, see “Switching the Display of the 3D Video Signal” on page 92.

Variable picture adjustment functions

Auto chroma, phase and matrix adjustment function are equipped. The white balance is automatically adjusted by using a commercially available probe (Konica Minolta CA-210, DK-Technologies PM5639/06, X-Rite Eye-One Pro).

Other features

- The color temperature is selectable from D65, D93 and User.
- Built-in test pattern for 100% white signal, 20% gray signal, 0% black signal, PLUGE (Picture Line Up Generation Equipment) signal, color-bar signal, 5 step gray scale signal and ramp signal.
- Chroma Up function that increases the chroma setting by 12 dB.
- Blue only function and RGB cut off function to monitor signal noise.
- A parallel remote of the contact point control connector is equipped.

Options

For external control

BKM-16R Monitor Control Unit

The BKM-16R is a controller of the PVM-L1700 and you can control multiple monitors from one controller.

In this manual, the BKM-16R is referred to as the controller.

For installation

BKM-39H Controller Attachment Stand

Used to join a BKM-16R and the PVM-L1700.

SMF-700 Monitor Interface Cable

Used to connect the PVM-L1700 to the BKM-16R.

Input adaptors

The input connector panel is composed by installing the optional input adaptor into the input option slot on the rear panel of the monitor. Up to four adaptors can be installed to the monitor.

The input signal type for each connector of the adaptor is set with the Input Configuration menu, in accordance with the configuration of the connector panel.

Note

When installing the adaptor, be sure to perform the necessary input signal setup with the Input Configuration menu. If the setup is not performed, the adaptors may not function correctly.

For information about the Input Configuration menu, see page 51.

For details of each input adaptor, refer to the operating instructions of each model.

BKM-220D SDI 4:2:2 Input Adaptor

Includes a decoder for serial digital signals (525/625 component). Input/output connectors for two serial digital channels and output connector for one monitor channel are equipped.

Note

The signal from the MONITOR OUT connector of the BKM-220D does not satisfy the ON-LINE signal specifications.

BKM-227W NTSC/PAL Input Adaptor

Includes a decoder for NTSC/PAL/PAL-M/SECAM signals. Input/output connectors for each one composite signal channel and Y/C signal channel are equipped.

BKM-229X Analog Component Input Adaptor

Includes a decoder for analog component signals and analog RGB signals. Input connector for one channel is equipped.

BKM-243HS HD/D1-SDI Input Adaptor

Includes a decoder for serial digital component signals. Input/output connectors for two serial digital channels and output connector for one monitor channel are equipped.

Note

The signal from the MONITOR OUT connector of the BKM-243HS does not satisfy the ON-LINE signal specifications.

BKM-244CC HD/SD-SDI Closed Caption Adaptor

Includes a decoder for serial digital component signals. EIA/CEA-608 or EIA/CEA-708 standard closed caption signals superimposed on the SDI signals are decoded and displayed. Input/output connectors for two serial digital channels and output connector for one monitor channel are equipped.

Note

The signal from the MONITOR OUT connector of the BKM-244CC does not satisfy the ON-LINE signal specifications.

BKM-250TG 3G/HD/SD-SDI Input Adaptor

Includes a decoder for serial digital component signals. Time code and audio level of the embedded audio signals superimposed on the SDI signals are displayed. Input/output connectors for two serial digital channels and output connector for two monitor channels are equipped.

Note

The signal from the MONITOR OUT connector of the BKM-250TG does not satisfy the ON-LINE signal specifications.

Caution

When you install the following input adaptors to this equipment, use those with the serial numbers given below.

- BKM-220D with serial number 2100001 or higher
- BKM-229X with serial number 2200001 or higher
- BKM-243HS with serial number 2108355 or higher
- BKM-250TG with serial number 7100001 or higher

BKM-220D: This equipment may not meet the requirements of the electromagnetic interference standard if designated input adaptors are not installed.

BKM-229X: This equipment may not work correctly or you may not be satisfied with the performance if designated input adaptors are not installed.

BKM-243HS: This equipment may not meet the requirements of the electromagnetic interference standard or work correctly, or you may not be satisfied with the performance if designated input adaptors are not installed.

BKM-250TG: The 3D signal analyzing function does not operate if designated input adaptors are not installed.

Input/Output Connector and Adaptor

By adding the optional input expansion adaptors, the input/output connector panel can be assembled in a wide variety of configurations. The signals that each of the adaptors' connectors supports are given in the following table. The type of signal to be applied to each input/output connector is set with the Input Configuration menu.

For information about the Input Configuration menu, see page 51.

Input adaptor		BKM-220D	BKM-227W	BKM-229X	BKM-243HS/244CC	BKM-250TG
Input signal						
Serial digital input	Component 525/625	○			○	○
	Single-link HD-SDI				○	○
	Dual-link HD-SDI				○(2)	○
	Single-link 3G-SDI					○
Analog input	Composite NTSC		○			
	Composite PAL		○			
	Composite PAL-M		○			
	Composite SECAM		○			
	Y/C NTSC		○			
	Y/C PAL		○			
	Y/C PAL-M		○			
	Y/C SECAM		○			
	YPbPr 525i/625i			○		
	RGB 525i/625i			○		
	YPbPr/RGB 1080/24PsF			○		
	YPbPr/RGB 1080/24P			○		
	YPbPr/RGB 1080/50i (25PsF)			○		
	YPbPr/RGB 1080/25P			○		
	YPbPr/RGB 576/50P			○		
	YPbPr/RGB 480/60P			○		
	YPbPr/RGB 1080/60i (30PsF)			○		
	YPbPr/RGB 1080/30P			○		
	YPbPr/RGB 720/50P			○		
YPbPr/RGB 720/60P			○			
Number of digital inputs		2	–	–	2	2
Number of analog inputs		–	1	1	–	–

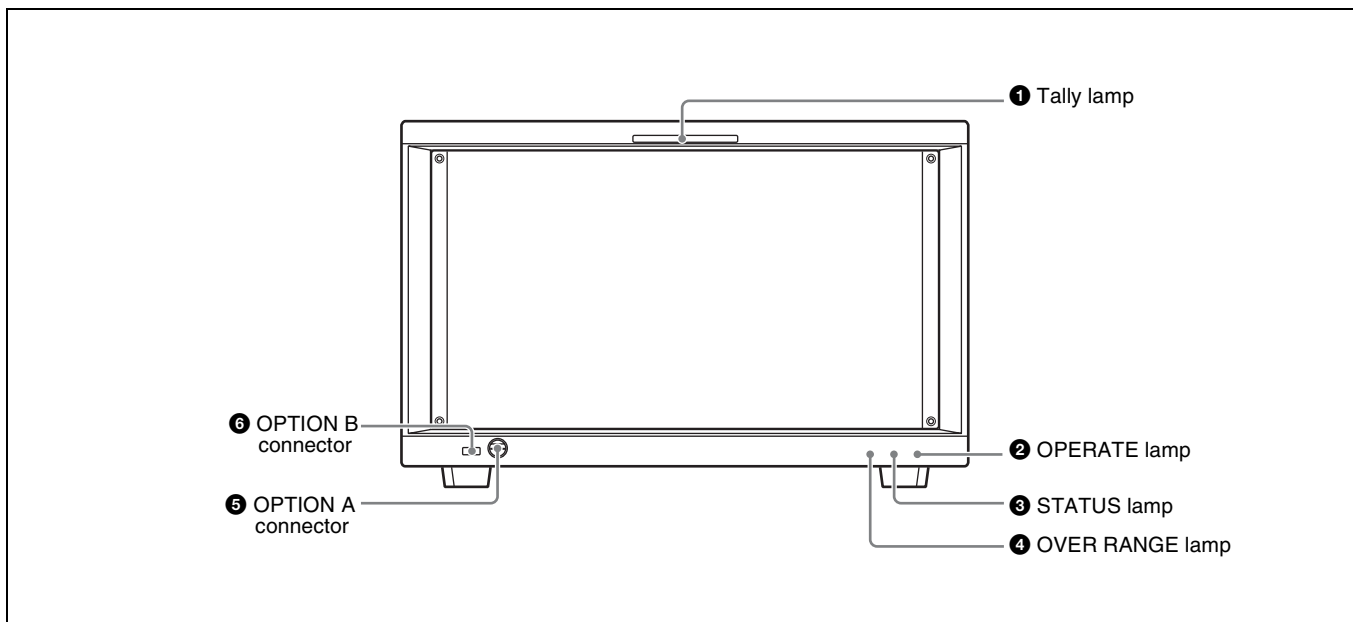
○: Signal can be reproduced.

○(2): Two adaptors are used.

For details, see “Available Signal Formats” on page 103.

Location and Function of Parts

Front Panel



1 Tally lamp

With factory settings, the tally lamp lights when pins No. 8 and No. 9 of the PARALLEL REMOTE connector on the rear panel are shorted. By changing the setting in the Parallel Remote menu, different pins on the PARALLEL REMOTE connector can be used to control the tally lamp.

For information about the Parallel Remote menu, see “Parallel Remote” (page 68) of the System Configuration Menu.

2 OPERATE lamp

Lights in red when the monitor is in standby mode. The monitor will be in standby mode under the following conditions:

- Standby Mode is set to On in the Power menu of the System Configuration menu and the ON/OFF (power) switch (on the rear panel) is turned on. (The OPERATE lamp will flash for initialization after the switch is turned on, then will light.)
- The monitor is changed from operation mode to standby mode by external control.

Lights in green when the monitor is put into operation mode from standby mode by pressing the MONITOR I/O switch of the controller.

For information about the Power menu, see “Power” (page 70) of the System Configuration Menu.

Notes

- When the lamp is flashing in red, the monitor cannot be put into operation mode. (Internal data initialization is taking place.) Wait until the lamp is steadily lit.
- The lamp may show the error, warning or operation mode.

For details, see “Error/warning/operation mode display by the lamp” on page 18.

3 STATUS lamp

Lights in blue when the error is detected.

For details, see “Error/warning/operation mode display by the lamp” on page 18.

4 OVER RANGE lamp

Lights in orange when the picture is displayed in black detail mode or when the dynamic range of the following item is exceeded.

- Contrast (contrast)
Flashes when the luminance is decreased to protect the monitor from a rise in temperature.

For details of the black detail mode display, see “Displaying the Picture in Black Detail Mode” on page 88.

Note

The lamp may show the error, warning or operation mode.

For details, see “Error/warning/operation mode display by the lamp” on page 18.

5 OPTION A connector

Used to connect a probe for automatic adjustment.

6 OPTION B connector

Used for future expansion.

The cover is attached at the factory.

Error/warning/operation mode display by the lamp

The OVER RANGE lamp, STATUS lamp or OPERATE lamp on the front panel may show an error, warning or operation mode while the monitor is being operated.

Error display

If the error is shown, please contact your Sony representative.

OVER RANGE lamp	STATUS lamp	OPERATE lamp	Symptoms
Lights in orange	Goes out	Flashes in red	The power in the backlight part is overcurrent.
Flashes in orange	Goes out	Flashes in red	The power in the backlight part is overvoltage.
Goes out	Lights in blue	Flashes in red	The temperature of the backlight part is unusual.
Goes out	Flashes in blue	Flashes in green	The temperature sensor is unusual.
Lights in orange	Lights in blue	Flashes in red	The temperature of the LCD panel is unusual.
Lights in orange	Goes out	Flashes in green	The RGB sensor of the backlight part is unusual.
Flashes in orange	Goes out	Flashes in green	Fan error.

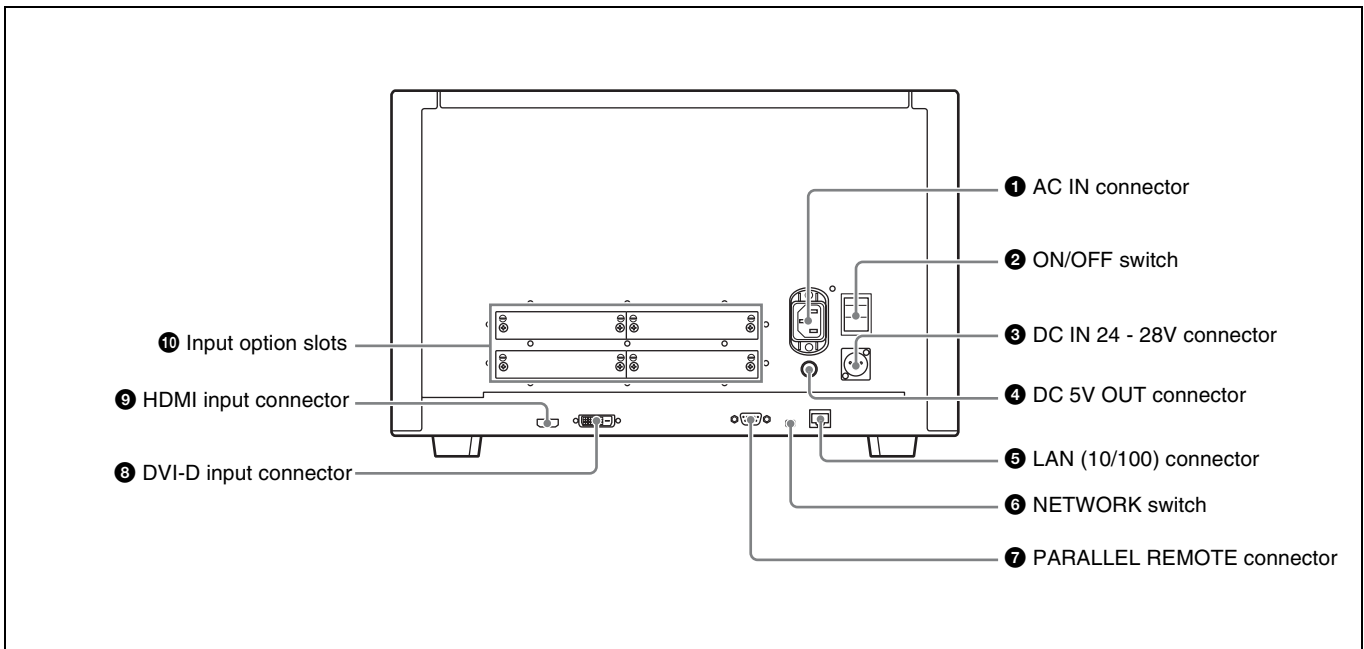
Warning/operation mode display

OVER RANGE lamp	STATUS lamp	OPERATE lamp	Symptoms
Flashes in orange	–	–	The luminance is reduced to protect the circuit from an increase of temperature in the backlight part. ⇒ Please contact your Sony representative.

OVER RANGE lamp	STATUS lamp	OPERATE lamp	Symptoms
Lights in orange	–	–	<ul style="list-style-type: none"> The dynamic range is exceeded when contrast is adjusted. ⇒ Reduce the contrast setting. However, when the contrast of the backlight does not increase in the low temperature, the lamp may light. When the picture is displayed in black detail mode

–: Status except for error display.

Rear Panel



1 AC IN connector (3-pin)

Connects the monitor to an AC power source, via the supplied AC power cord.

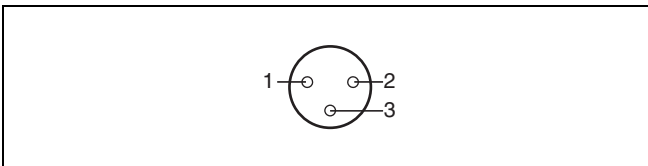
2 ON/OFF (power) switch

When turned on (ON), the monitor enters operation mode. By setting in Power menu of the System Configuration menu, the monitor can also be set to enter standby mode when the ON/OFF switch is turned on.

For information about the Power menu, see “Power” (page 70) of the System Configuration Menu.

3 DC IN 24 - 28V (DC power input) connector (XLR 3-pin, male)

Connect the 24 to 28 V DC power supply.



Pin number	Function
1	- (GND)
2	+ (24 to 28 V DC)
3	NC

4 DC 5V OUT connector (female)

Supplies the DC power to the controller.

Connect to the DC 5V/12V IN connector of the controller with the SMF-700 or the cable supplied with the BKM-39H.

5 LAN (10/100) connector (10BASE-T/100BASE-TX)

Connect to the LAN (10/100) connector of the controller by using the SMF-700 or the cable supplied with the BKM-39H. Or connect to the network or the LAN (10/100) connector of the controller by using a 10BASE-T/100BASE-TX LAN cable (shielded-type, optional).

CAUTION

- For safety, do not connect the connector for peripheral device wiring that might have excessive voltage to this port. Follow the instructions for this port.
- When you connect the LAN cable of the unit to peripheral device, use a shielded-type cable to prevent malfunction due to radiation noise.
- To connect the monitor to the LAN (10/100) connector of the controller in 1 to 1 connection (NETWORK switch is set to PEER TO PEER), use a straight (shielded-type) cable.
- The connection speed may be affected by the network system.

ATTENTION

Par mesure de sécurité, ne raccordez pas le connecteur pour le câblage de périphériques pouvant avoir une tension excessive à ce port. Suivez les instructions pour ce port.

VORSICHT

Aus Sicherheitsgründen nicht mit einem Peripheriegerät-Anschluss verbinden, der zu starke Spannung für diese

Buchse haben könnte. Folgen Sie den Anweisungen für diese Buchse.

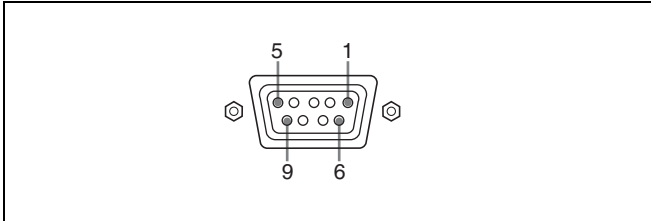
6 NETWORK switch

LAN: To connect to the network.

PEER TO PEER: To connect to the LAN (10/100) connector of the controller in 1 to 1 connection.

7 PARALLEL REMOTE connector (D-sub 9-pin, female)

Forms a parallel switch and controls the monitor externally. The pin assignment and factory setting function assigned to each pin are given below.



Pin number	Function
1	Sets input signal channel 1 (numeric keypad function).
2	Sets input signal channel 2 (numeric keypad function).
3	Selects sync signal (SYNC button function).
4	Selects whether monochrome image is displayed or the monitor switches the display mode automatically between color image and monochrome image depending on the input signal (MONO button function).
5	Marker (set in the Marker Setting menu) On/Off (MARKER button function).
6, 7	Not connected
8	Tally lamp On/Off
9	Ground

All pin function assignments can be changed with the Parallel Remote menu.

For information about the Parallel Remote menu, see “Parallel Remote” (page 68) of the System Configuration Menu.

To switch each function between On and Off or between enable and disable, change pin connections in the following way.

On or enabled: Short each pin and pin 9 together.

Off or disabled: Leave each pin open.

8 DVI-D (digital DVI) input connector

Inputs DVI Rev.1.0 applicable Single-link digital RGB signal.

To monitor the DVI signal of SXGA or higher resolution, use the cable within 3 m (118 1/8 inches) in length.

9 HDMI input connector

Inputs the HDMI signal.

HDMI (High-Definition Multimedia Interface) is an interface that supports both video and audio on a single digital connection, allowing you to display high quality digital picture. The HDMI specification supports HDCP (High-bandwidth Digital Content Protection), a copy protection technology that incorporates coding technology for digital video signals.

Notes

- The HDMI audio signal is not available for this monitor.
- Use HDMI compliant cable (optional), Category 2 (High Speed HDMI cable), with HDMI logo.

10 Input option slots

Used to install the optional input adaptors.

For installing the input adaptor, see page 22.

For the input signals, see “Input/Output Connector and Adaptor” on page 15.

Environments of the Installation Location

Illumination environments

The apparent color reproduction on the monitor is greatly affected by ambient light or glare.

The LCD device controls the brightness by moving LCD molecules with the backlight always lit. For this reason, in a dark place, an LCD monitor screen shows very dim light leaks from the black image. We recommend that you adjust the ambient light and use in an environment that does not degrade the reproduction of black.

Viewing angle

The ideal viewing angle is within 5 degrees (up/down/left/right) off the center of the monitor screen when the operator views the entire monitor screen. Keep the viewing angle within 15 degrees off the center of the monitor screen.



Installing an Input Adaptor

Each input adaptor can be installed in any input option slot on the rear panel.

Caution

When you install the following input adaptors to this equipment, use those with the serial numbers given below.

- BKM-220D with serial number 2100001 or higher
- BKM-229X with serial number 2200001 or higher
- BKM-243HS with serial number 2108355 or higher

BKM-220D: This equipment may not meet the requirements of the electromagnetic interference standard if designated input adaptors are not installed.

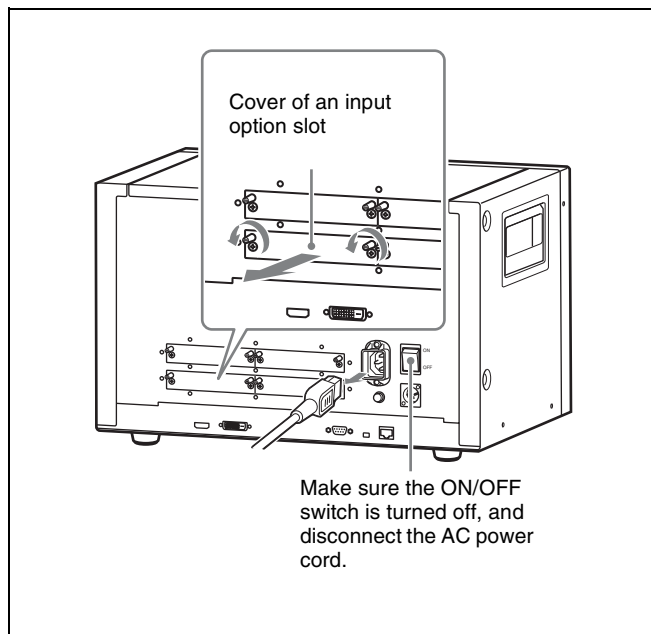
BKM-229X: This equipment may not work correctly or you may not be satisfied with their performance if designated input adaptors are not installed.

BKM-243HS: This equipment may not meet the requirements of the electromagnetic interference standard or work correctly, or you may not be satisfied with the performance if designated input adaptors are not installed.

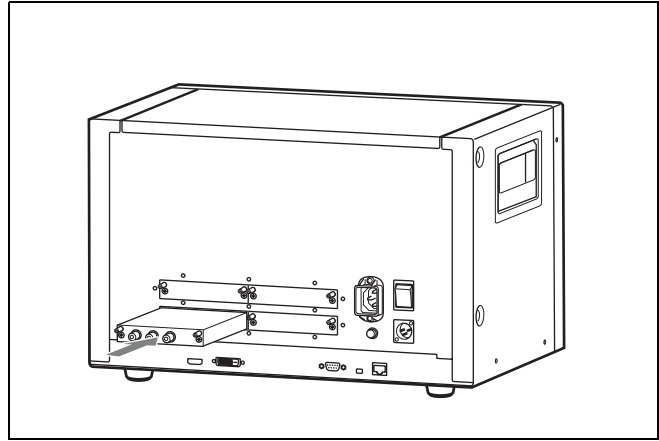
Note

Turn off the ON/OFF (power) switch of the monitor (OFF) and disconnect the AC power cord before installing or removing adaptors.

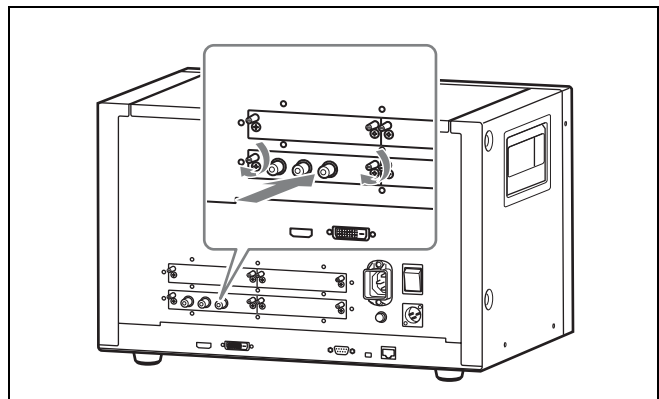
- 1 Loosen two screws and remove the cover of an input option slot on the rear panel of the monitor.



- 2 Insert the adaptor.



- 3 Push the adaptor in until it is firmly fit into the connector inside the monitor, then tighten the two screws to secure the adaptor.



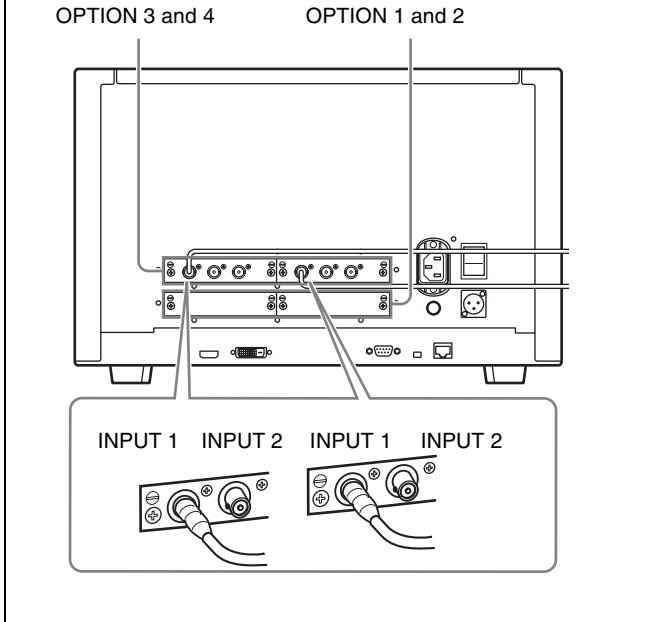
For Dual-link operation

Two BKM-243HS or BKM-244CC input adaptors or one BKM-250TG input adaptor is required. When the BKM-243HS or BKM-244CC adaptors are used, install the input adaptors in OPTION 1 and 2 option slots, or OPTION 3 and 4 option slots. The BKM-243HS or BKM-244CC cannot be used with the BKM-250TG for Dual-link operation.

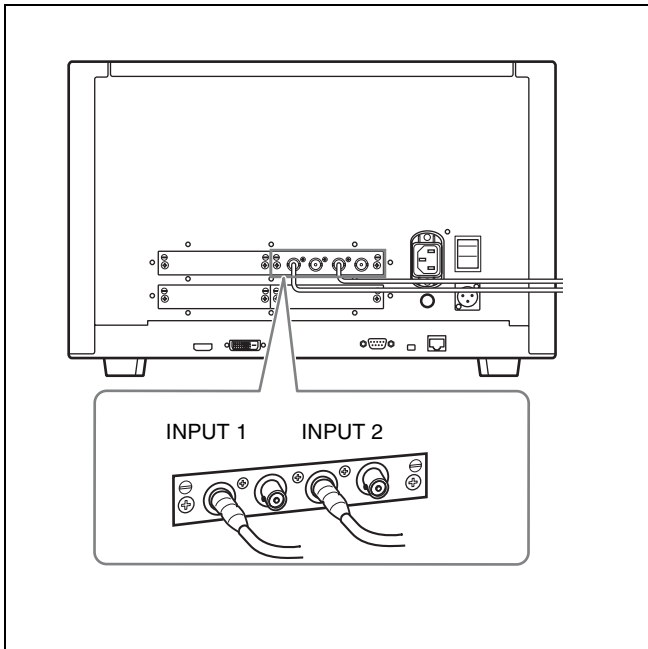
To connect the cable

When the BKM-243HS or BKM-244CC adaptors are used, install the Link A signal to OPTION 1 or 3, and the Link B signal to OPTION 2 or 4.

Connect the cable to the same input number (both INPUT 1 or both INPUT 2) of the input adaptors installed in OPTION 1 and 2 option slots, or OPTION 3 and 4 option slots.

Example of Dual-link cable connection

When the BKM-250TG is used, install the Link A signal to INPUT 1, and the Link B signal to INPUT 2.

**For 3D signal analyzing function**

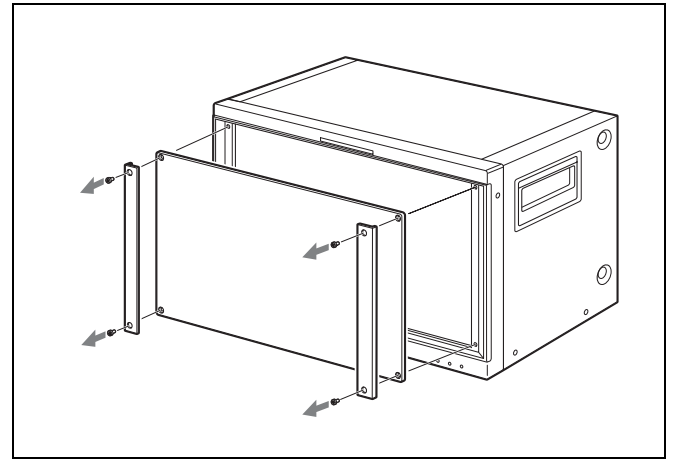
Use a 3D-compatible BKM-250TG (with serial number 7100001 or higher) and input the left 3D signal to INPUT 1 and the right signal to INPUT 2.

Removing the Protection Plate

The protection plate is installed on the monitor to protect the LCD panel at the factory.

You can remove the protection plate when the picture differs in color from that without the protection plate and/or when there is more reflection of light than without.

- 1** Remove the four screws and then remove the protection plate.

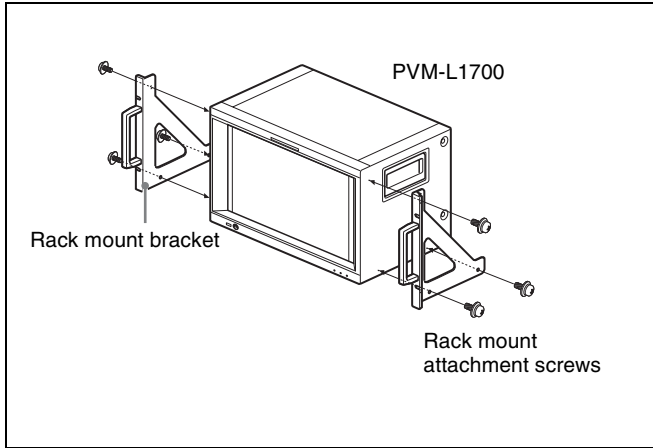


- 2** Reinstall the four screws in their original position on the monitor.

Mounting the Unit in a Rack

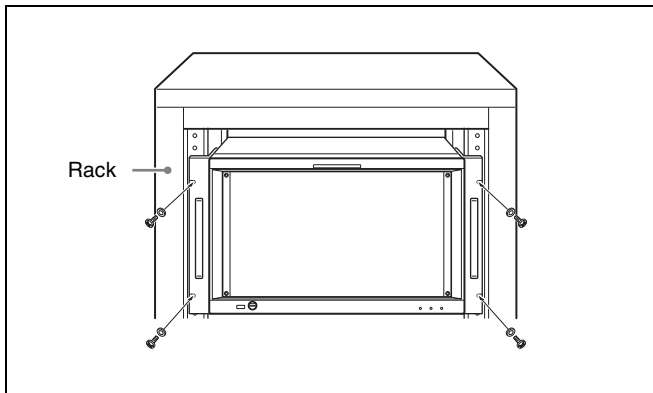
To mount the unit in an EIA standard 19-inch rack, use the supplied rack mount brackets and screws.

- 1 Remove the four feet from the bottom of the unit.
- 2 Attach the rack mount brackets to each side of the unit with the rack mount attachment screws.



- 3 Screw the rack mount brackets to the rack to mount the unit.

Use the commercially available screws that match the size of the rack's holes.

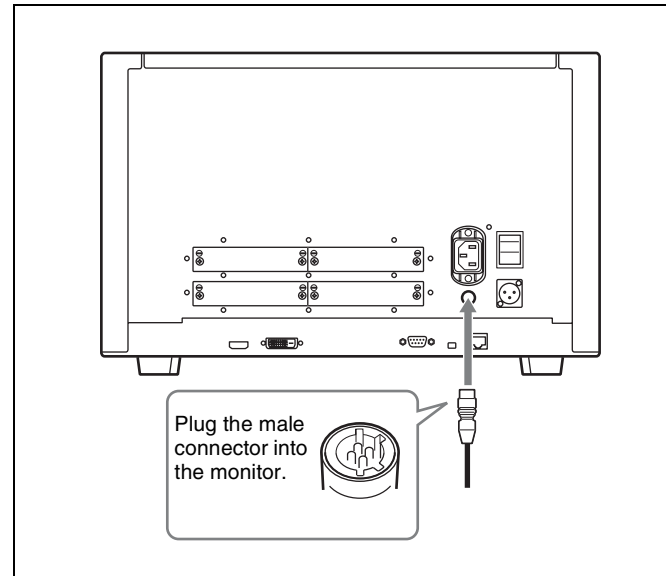


Connections

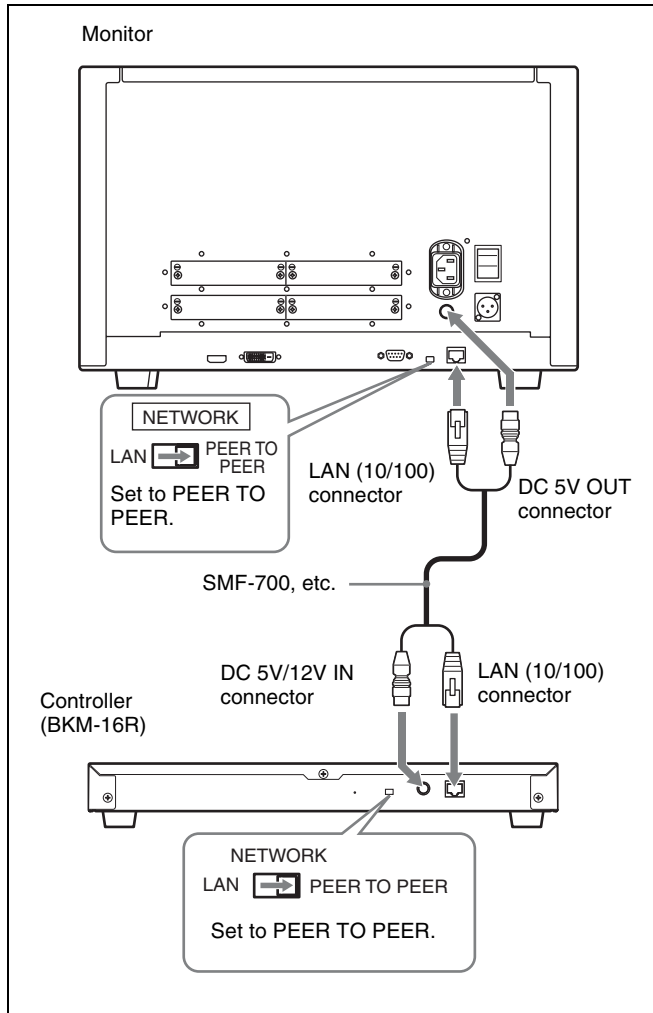
Note on connecting the cable to the DC 5V OUT connector

Be sure to plug the male connector of the cable into the DC 5V OUT connector of the monitor.

Insert the connector so as to fit the shape of the DC 5V OUT connector.



Connecting the Controller (BKM-16R)



- 1 Turn off the ON/OFF (power) switch of the monitor (OFF) before connecting the units.
- 2 Set the NETWORK switches of the monitor and the controller to PEER TO PEER.
- 3 Connect the LAN (10/100) connector of the monitor and the LAN (10/100) connector of the controller by using the SMF-700 or the cable supplied with the BKM-39H, or a 10BASE-T/100BASE-TX straight LAN cable (shielded-type, optional).

Note

When an optional LAN cable is connected, use a shielded-type cable to prevent a malfunction due to noises.

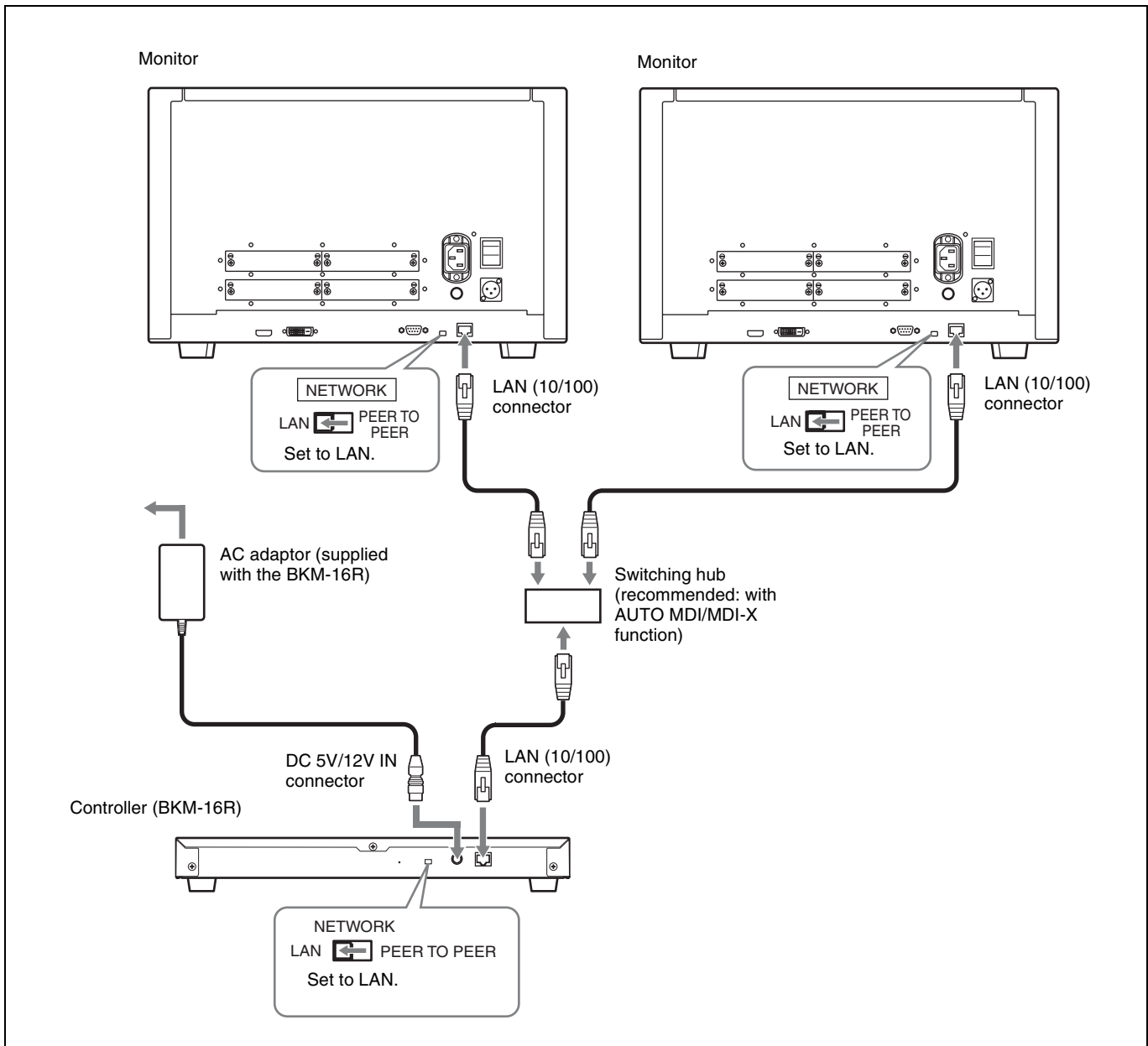
- 4 Connect the DC 5V OUT connector of the monitor and the DC 5V/12V IN connector of the controller by using the SMF-700 or the cable supplied with the BKM-39H. Or connect the output cable of the AC adaptor supplied with the controller to the DC 5V/12V IN connector of the controller.

Connecting the Multiple Units with the LAN

The controller controls up to 32 monitors. Up to four controllers are connected to one monitor in single mode.

Note

The controller cannot control monitors in another subnetwork.



- 1 Turn off the ON/OFF (power) switch of the monitor (OFF) before connecting the units.
- 2 Connect to the network by using a 10BASE-T/100BASE-TX cable (shielded-type, optional).

Notes

- When an optional LAN cable is connected, use a shielded-type cable to prevent a malfunction due to noises.
- We recommend to use an optional switching hub with auto selection function (AUTO MDI/MDI-X) of a straight/cross cable. When the switching hub without auto selection function is used, connect the monitor and switching

hub with the straight cable, and the controller and switching hub with the cross cable.

- 3 Connect the output cable on the AC adaptor supplied with controller to the DC 5V/12V IN connector of the controller.

Note

When the multiple units are connected, set for the LAN before setting the NETWORK switch to LAN (page 29).

- 4 Set the NETWORK switches of each monitor and the controller to LAN.

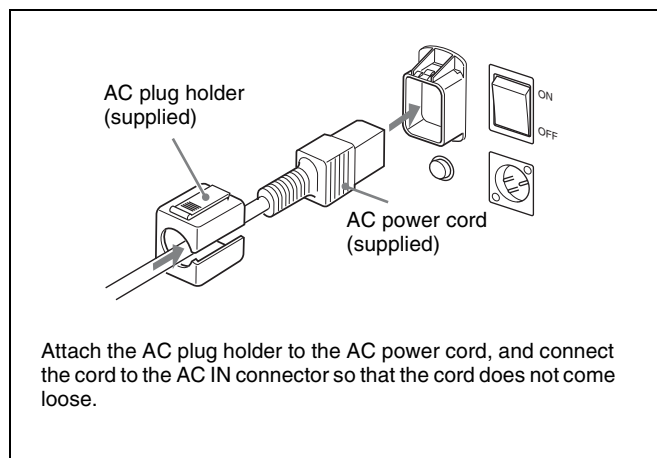
Turning on the Power

Connecting to Power

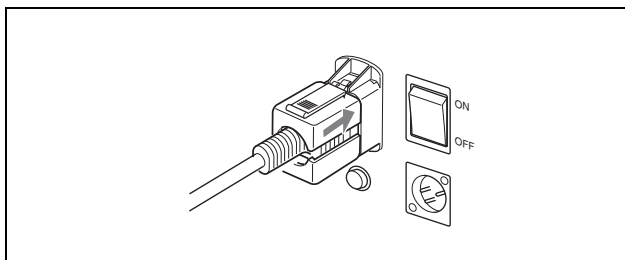
You can operate the monitor with AC or DC power supply.

To connect the AC power cord

- 1 Plug the AC power cord into the AC IN connector on the rear panel. Then, attach the AC plug holder (supplied) to the AC power cord.



- 2 Slide the AC plug holder over the cord until it locks.



To disconnect the AC power cord

Pull out the AC plug holder while pressing the lock levers.

To connect the DC power supply

Connect the DC power supply to the DC IN 24 - 28V connector.

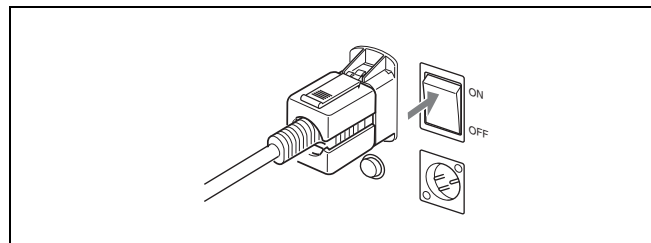
When the AC power cord and DC power supply are connected, the AC power supply is given preference to over the DC power supply. To use the DC power supply, disconnect the AC power cord.

Turning on the Monitor

Press the ON/OFF (power) switch on the rear panel (ON) to turn on the power.

When you turn on the monitor for the first time after purchasing it, the Select Area screen is displayed. Select the area where you intend to use this monitor.

For selecting the area, see page 28.



The warm-up time is more than 30 minutes, approximately.

When the monitor is in standby mode

As the OPERATE lamp lights in red in standby mode, press the MONITOR I/⏻ switch of the controller.

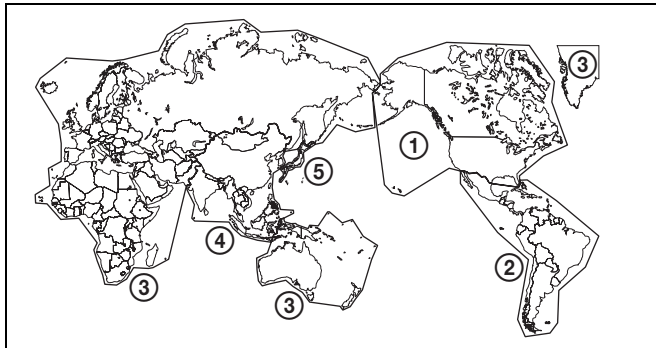
The OPERATE lamp lights in green and the monitor enters operation mode.

Settings

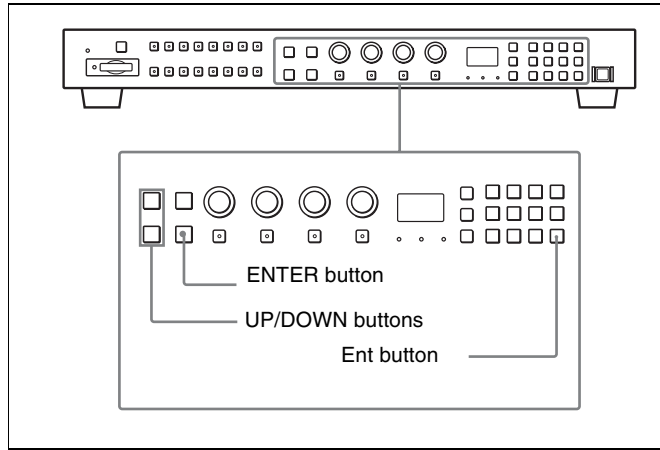
Selecting the Area

When you turn on the monitor for the first time after purchasing it, select the area where you intend to use this monitor from among the options. When the area is selected, the menu item settings suitable for the selected area are applied.

Default value for each area

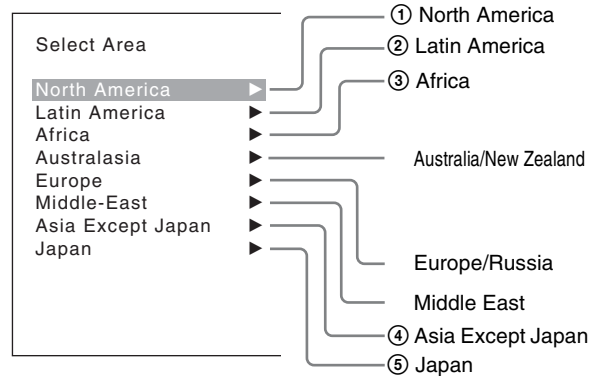


	Color Temp	Setup Level	Component Level	Color Gamut Emulation		
① North America	D65	7.5%	Betacam	BVM SMPTE-C		
② Latin America	Argentina	D65	0%	SMPTE/EBU-N10	BVM EBU	
	PAL&PAL-N Area	Paraguay	D65	0%	SMPTE/EBU-N10	BVM EBU
	Uruguay	D65	0%	SMPTE/EBU-N10	BVM EBU	
	NTSC&PAL-M Area	Other Area	D65	7.5%	Betacam	BVM SMPTE-C
③ Africa Australasia Europe Middle-East	D65	0%	SMPTE/EBU-N10	BVM EBU		
④ Asia Except Japan	NTSC Area	D65	7.5%	Betacam	BVM SMPTE-C	
	PAL Area	D65	0%	SMPTE/EBU-N10	BVM EBU	
⑤ Japan	D93	0%	SMPTE/EBU-N10	BVM EBU		



1 Turn on the monitor with the ON/OFF (power) switch (ON).

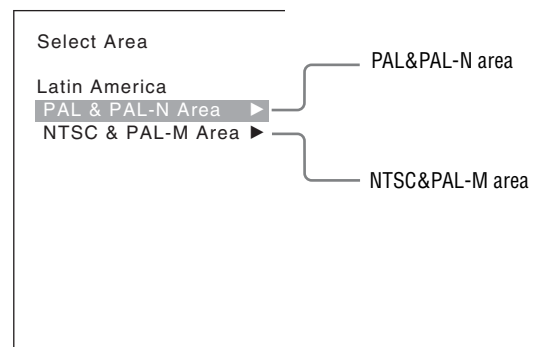
The Select Area screen appears.



2 Press the UP or DOWN button of the controller to select the area where you intend to use the monitor and press the ENTER (Ent) button.

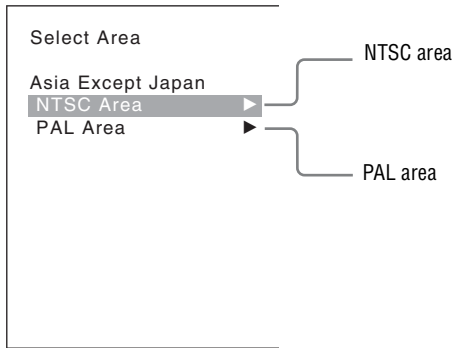
If you select either Latin America or Asia Except Japan, one of the following screens appears.

If ② Latin America is selected:



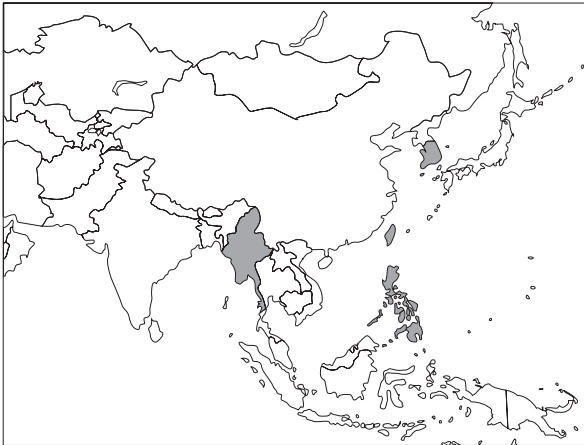
Select PAL & PAL-N or NTSC & PAL-M and press the ENTER (Ent) button.

If ④ Asia Except Japan is selected:

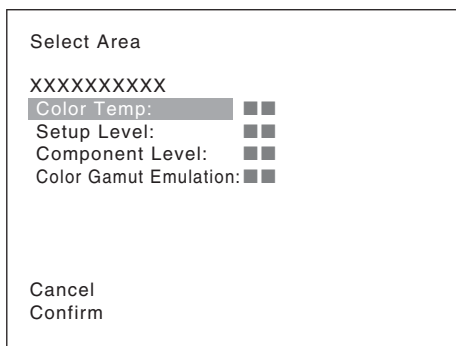


Customers who will use this monitor in the shaded areas shown in the map below should select NTSC Area.

Other customers should select PAL Area. Then press the ENTER (Ent) button.



3 Confirm the settings.



Cancel: Select to cancel the setting and return to the Select Area screen.

Confirm: Select to save the setting and end selecting the area.

See “Default value for each area” on page 28 on the setting value.

After saving and reflecting the setting, you can change the setting with the menu.

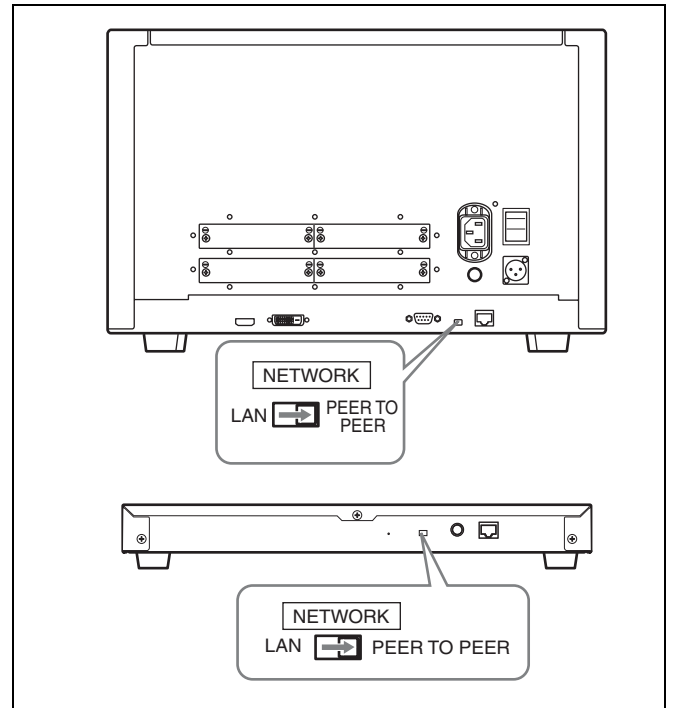
- Color Temp (color temperature) (page 53)
- Setup Level (NTSC Setup Level: page 55, Betacam Setup Level: page 55)
- Component Level (page 55)
- Color Gamut Emulation (page 55)

Setting for the LAN to Connect the Multiple Units

You can control the multiple monitors using the controller connected via each LAN (10/100) connector. You can also control a specific monitor or monitor group.

Set an IP address to the monitors and the controller and a monitor ID number and group ID number to each monitor.

- 1 Set the NETWORK switches of each monitor and the controller to PEER TO PEER.



- 2 Set the different IP address to each monitor and the controller.

Monitor: Set the IP address in the Network Setting menu of the System Configuration menu (page 67).

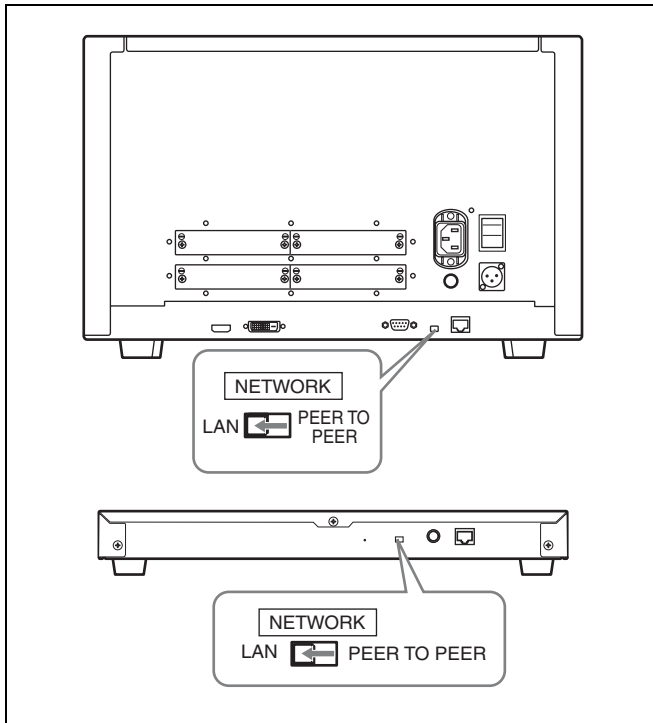
Controller: Set the IP address in the Network Setting menu of the Controller menu (page 78).

- 3 Set Monitor ID and Group ID in the Network menu of the System Configuration menu (page 67).

Set the different monitor ID number to each monitor and if necessary, group ID number.

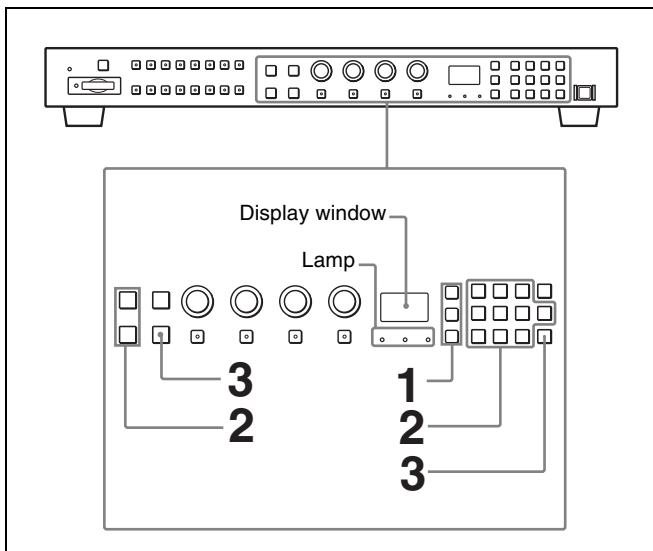
You can use the numbers 1 to 99 as a monitor ID number or group ID number.

- 4 Set the NETWORK switches of the monitor and the controller to LAN.



Selecting the Monitor (Designation of the Monitor or Group ID Number)

When the multiple monitors are connected by the network connections, you can remotely connect the monitors from the controller by designating the set monitor ID number or group ID number.



- 1 Press the corresponding button to select the connection mode.

SINGLE button: Selects single connection mode.

The designated monitor is connected remotely.

The monitor ID number is displayed on all connected monitors when the button is held pressed.

GROUP button: Selects group connection mode.

The monitor of the designated group is connected remotely.

The group ID number is displayed on all connected monitors when the button is held pressed.

ALL button: Selects all connection mode.

All monitors are connected remotely.

The lamp corresponding the pressed button flashes and lights after recognizing the monitor.

- 2 Select the monitor ID number for the single connection mode or group ID number for the group connection mode by pressing the UP/DOWN or numeric button.

Up to 99 is entered as the monitor ID or group ID number.

- 3 Press the ENTER or Ent button to confirm the setting.

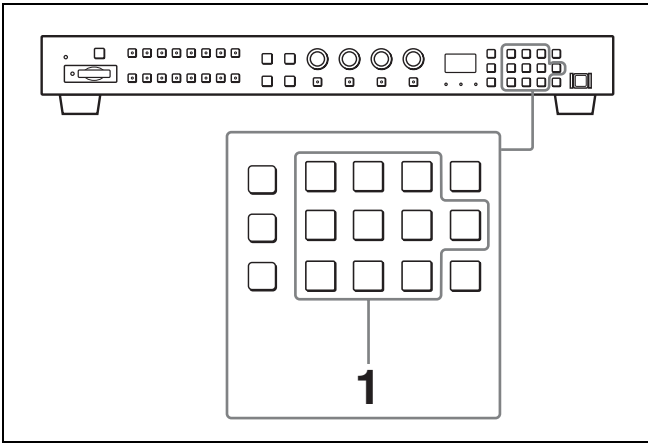
The monitor ID number, group ID number or ALL is displayed in the display window.

Notes

- When the monitor with no assigned monitor ID number or group ID number is selected, the setting is not changed and the previous connection status is maintained.
- When there are monitors with the same ID number, the monitor with the lower IP address is selected.
- Even if a different monitor ID number is set to the monitors, when the same IP address is set to another monitor, the monitor cannot be connected to the network.

Assigning the Input Signal to the Channel

When you assign the input signal to the channel, you can select the channel and change the input signal by pressing the numeric button. The input signal is assigned to one of channels 1 to 30.



- 1 Select the channel (CH1 to CH30) to be assigned by pressing the numeric button of the controller.

To assign to a channel number from 1 to 9, press the appropriate one-digit channel number on the numeric keypad.

To assign to a channel number from 10 to 30, press the 0 button, then press the appropriate two-digit channel number.

- 2 Set the input signal for the selected channel in Input Configuration menu (page 51).

The required setting is different due to the input signal or picture quality to be displayed.

For details of the setting, see the Input Configuration menu (page 51).

Setting the Display Mode of the Picture

Set the display mode condition of the input signal to display on the screen. The setting items are following.

- Setting Matrix/Gamma (transmission matrix and transmission gamma)
- Selecting the color gamut (color space and gamma)

- 1 Set Matrix/Gamma in the Matrix/Gamma menu (page 54) of the Input Configuration menu.
- 2 Select the color gamut (color space and gamma) in the Emulation menu (page 55) of the Color Gamut menu of the Input Configuration menu.

Adjusting

Before adjusting

The monitor must be warmed up sufficiently.

To perform stable color reproduction, turn on the power of the monitor, display the white signal and leave it in this state for more than 30 minutes.

About monitor adjustment

The monitor is used as a measuring instrument and is required to faithfully reproduce the input signal. To measure the signal accurately, the monitor must be calibrated correctly using a reference signal.

To calibrate, adjust the following items in sequence.

1 Chroma/phase adjustment

You can save the adjustment value in Preset1 to Preset5. The data of Preset1 to Preset5 is set to the channel in the Picture Preset menu (page 53) of the Input Configuration menu.

Adjust the picture automatically with the auto chroma/phase/matrix function for every signal format and signal system to display the composite signal or Y/C signal from the BKM-227W, or analog component signal or analog RGB signal from the BKM-229X. If the picture is not adjusted, the picture may not be displayed correctly.

2 Color Temperature (white balance) adjustment

You can adjust the data set to the channel in the Color Temp menu (page 53) of the Input Configuration menu.

You can adjust D93, D65 or User1 to User5.

3 Brightness/Contrast adjustment

You can save the adjustment value in Preset1 to Preset5. The data of Preset1 to Preset5 is set to the channel in the Picture Preset menu (page 53) of the Input Configuration menu.

Chroma/Phase Adjustment

Automatic adjustment (with auto chroma/phase/matrix function) is required for each signal format, signal system and matrix to display the composite or Y/C signal from the BKM-227W, or the analog component or analog RGB signal from the BKM-229X.

As you can automatically adjust the chroma, phase, matrix and also 100% (white) and 0% (black) levels of the monitor to the same as those of the reference signal by performing the automatic adjustment, the automatic adjustment is also effective for the RGB signal.

Perform the manual adjustment of chroma and phase to adjust them further after automatic adjustment or the digital signal from the BKM-220D, BKM-243HS, BKM-244CC or BKM-250TG.

Automatic adjustment (recommended)

- 1 Input the reference color-bar signal to the monitor.
- 2 Select Auto in the Picture Adj menu of the Adjustment menu and perform the automatic adjustment of the chroma, phase and matrix in Auto Adjust (page 45).

Manual adjustment

The following is the example of the method to perform the manual adjustment of the chroma and phase.

- 1 Input the multi format color-bar signal or SMPTE color-bar signal to the monitor.
- 2 Set the BLUE ONLY button to on.
Red and green signals are cut, and only the blue signal is displayed as a monochrome picture.

The following is the example of the adjustment when the multi format color-bar signal is used.

- 3 Select the Manual Adjust menu (page 46) in the Picture Adj menu of the Adjustment menu and adjust the levels with the CHROMA or PHASE knob of the controller while tracking so that the brightness of bars “a” (Blue part) and “b” (75% White part) (in the following illustration) are the same.

For the composite and Y/C signals

Adjust the levels with the CHROMA and PHASE knob.

For the component signal

Adjust the levels with the CHROMA knob.



- 4 Press the ENTER or Ent button.
The adjusted data is confirmed.
- 5 Set the BLUE ONLY button to off.

Color Temperature (White Balance) Adjustment

You can adjust manually or automatically with a specified color temperature probe.

Note

When the DVI Computer signal, or the computer signal of HDMI is displayed, the color temperature cannot be adjusted automatically.

Perform the manual adjustment of the color temperature.

Automatic adjustment

Use one of the following probes.

- Konica Minolta CA-210
- DK-Technologies PM5639/06
- X-Rite Eye-One Pro

- 1 Connect the color temperature probe.

For the cable to connect the color temperature probe, see page 129.

- 2 Select Auto Adjust (page 48) in the Color Temp Adj menu of the Adjustment menu and adjust the color temperature.

Manual adjustment

- 1 Select Manual Adjust (page 47) in Manual of the Color Temp Adj menu of the Adjustment menu.
- 2 Adjust the color as desired with the PHASE, CHROMA or BRIGHT knob.
- 3 Press the ENTER or Ent button.
The adjusted data is confirmed.

Brightness/Contrast Adjustment

As an image on a color video monitor is seen differently according to the ambient light (environmental brightness), adjust the brightness (black level) according to the ambient light and the black level of the image to be reproduced and adjust the contrast (white level) according to the ambient light.

Adjust the brightness/contrast with an external reference signal of a multi format color-bar signal or SMPTE color-bar signal.

- 1 Input the multi format color-bar signal or SMPTE color-bar signal to the monitor.

The following are explained as the example when the multi format color-bar signal is used for adjustment.

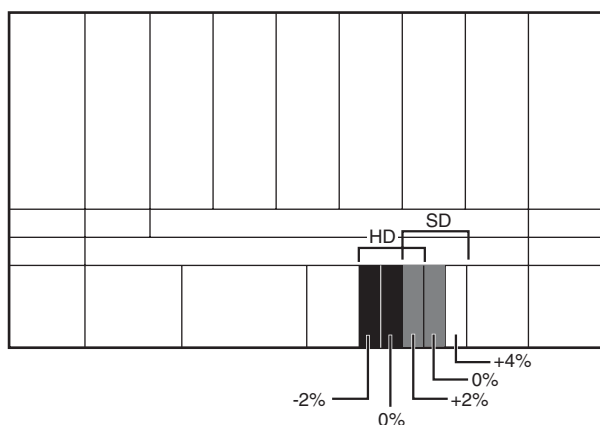
- 2** Select the Manual Adjust menu (page 46) in the Picture Adj menu of the Adjustment menu.
- 3** Adjust the -2% , 0% and $+2\%$ ranges or the 0% , $+2\%$ and $+4\%$ ranges of the PLUGE signal section of the color-bar with the BRIGHT knob.

HD signal

Adjust so that the -2% and 0% ranges are seen as equal and the $+2\%$ and 0% ranges are more distinctive.

SD signal

Adjust so that the 0% and $+2\%$ ranges are seen as equal and the $+2\%$ and $+4\%$ ranges are more distinctive.



- 4** Adjust so that the luminance of the 100% white signal of the color-bar is set to the desired value with the CONTRAST knob.

We recommend adjusting the luminance to $100 \text{ [cd/m}^2\text{]}$ when Preset1 to Preset5 is selected in the Picture Preset menu of the Input Configuration menu.

- 5** As the brightness and contrast adjustments affect each other, repeat the adjustments of step **3** and **4**.

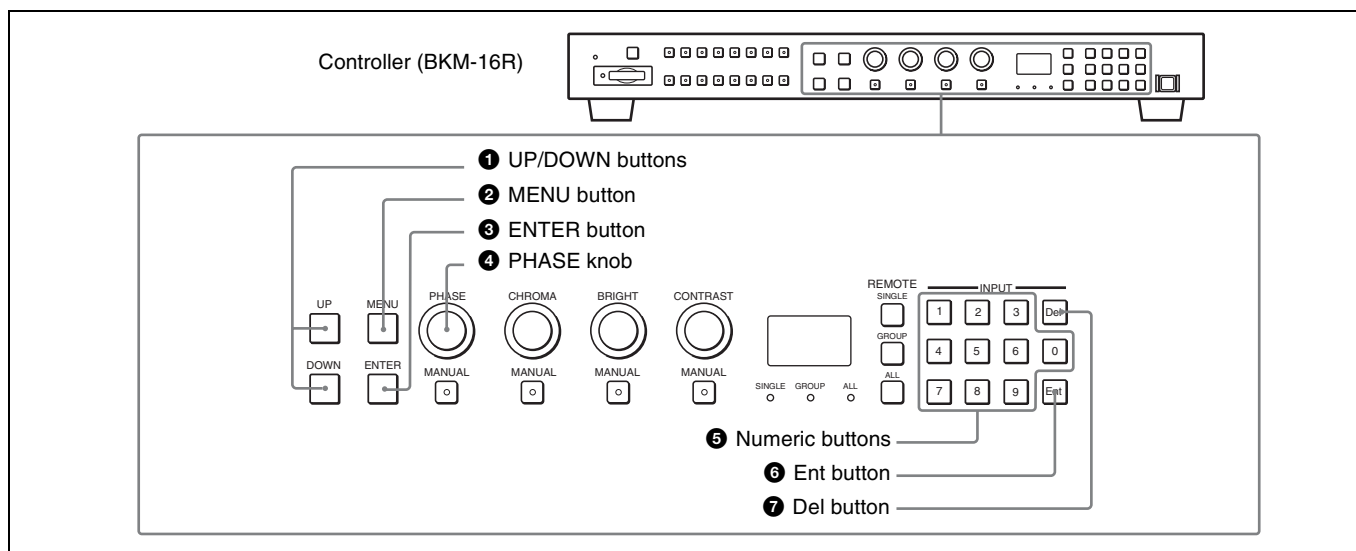
Note

When the contrast of this unit is adjusted, the luminance of the backlight is adjusted for a picture of luminance $40 \text{ [cd/m}^2\text{]}$ ($20 \text{ [cd/m}^2\text{]}$ in interlace display mode) or higher, and the contrast is adjusted by the signal level for a picture of luminance lower than $40 \text{ [cd/m}^2\text{]}$ ($20 \text{ [cd/m}^2\text{]}$ in interlace display mode).

Basic Menu Operations

Menu Operation Buttons

The menu is operated using the menu operation buttons on the controller (BKM-16R, optional).



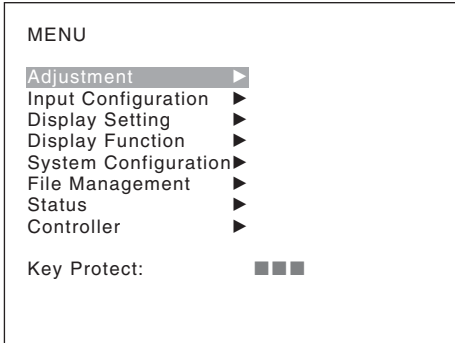
The functions of the menu operation buttons are described below.

Button	Function
❶ UP button	Moves the cursor upward. In setting mode, increases the setting or adjustment value.
❶ DOWN button	Moves the cursor downward. In setting mode, decreases the setting or adjustment value.
❷ MENU button	Displays the menu. Goes back to the menu of the upper level. (On the main menu, goes back to the normal picture.)
❸ ENTER button	Changes the item. In setting mode, confirms the adjustment or setting value.

Button	Function
❹ PHASE knob	By turning this knob clockwise, the cursor moves upward. In setting mode, increases the setting or adjustment value (has the same function as UP button). By turning this knob counterclockwise, the cursor moves downward. In setting mode, decreases the setting or adjustment value (has the same function as DOWN button).
❺ Numeric buttons	Enters the numerical values.
❻ Ent button	Changes the item. In setting mode, confirms the adjustment or setting value.
❼ Del button	Deletes the values and characters entered.

Displaying the Menu

Press the MENU button.
The main menu is displayed on the screen.



When you select one item on the main menu, the level 1 menu of the selected item appears.

For the items on the menu, see “Menu Structure” on page 38.

Notes

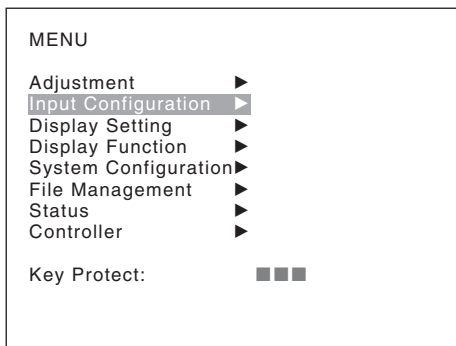
- Menu items displayed in gray cannot be selected.
- This menu is not displayed when Pixel Zoom is set to on.

Setting or Adjusting in the Menu Operation

1 Press the MENU button.

The main menu is displayed.

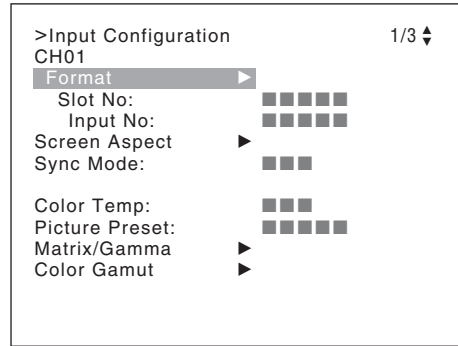
2 Using the UP or DOWN button or PHASE knob, select the desired item. (Example: select the Input Configuration menu by pressing the DOWN button.)



3 Press the ENTER or Ent button.

The level 1 of the selected menu is displayed.

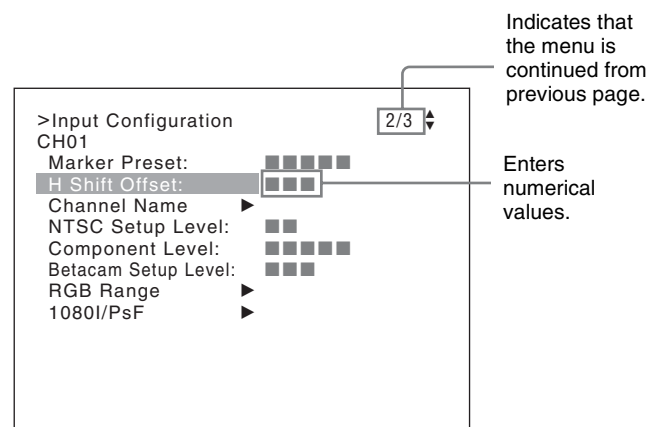
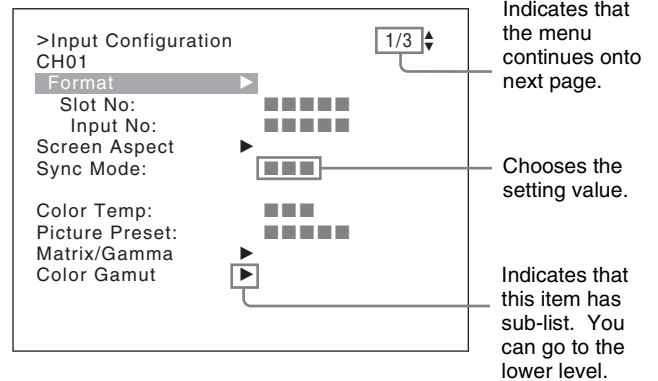
The current settings are displayed in place of the ■ marks on the illustrations of the menu screen.



4 Repeat steps 2 and 3 until the desired menu is displayed.

For more information about setting and adjustments, see below.

Display example



Choosing the setting value

The method for selecting the value is different due to the menu item.

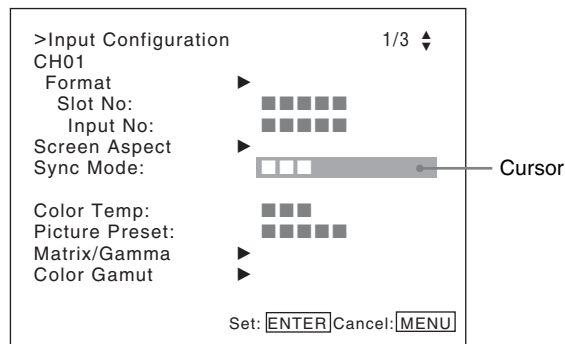
- Selecting in setting mode
- Selecting from the setting list

When selecting in setting mode

- Using the UP or DOWN button or PHASE knob, select the desired item and press the ENTER or Ent button.

The cursor moves to the setting value and the monitor enters in setting mode.

Display example



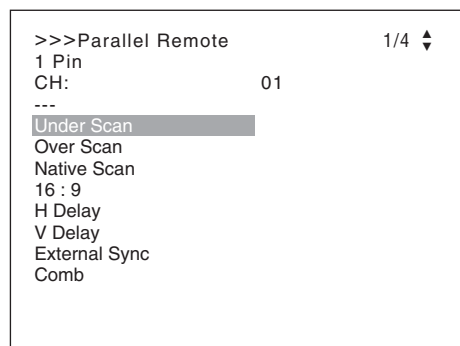
- Using the UP or DOWN button or PHASE knob, select the setting value.
- Press the ENTER or Ent button.

The setting is confirmed and the cursor returns to the item.

When selecting from the setting list

- Using the UP or DOWN button or PHASE knob, select the desired item in the setting list.

Display example



- Press the ENTER or Ent button.

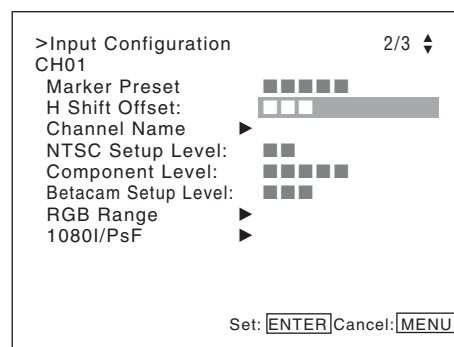
The setting is confirmed and the display returns to the menu of the upper level.

Entering numerical values

- Using the UP or DOWN button or PHASE knob, select the desired item and press the ENTER or Ent button.

The cursor moves to the setting value and the monitor enters in setting mode.

Display example



- Select the value in one of the following three ways:

- Enter the value directly using the numeric buttons and press the ENTER or Ent button. (only the item whose the value of setting range is over 0)
- Select the value using the UP or DOWN button.
- Select the value using the PHASE knob.

- Press the ENTER or Ent button.

The setting is confirmed and the cursor returns to the item.

Entering characters

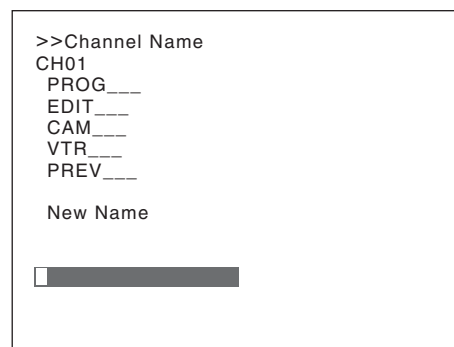
- Using the UP or DOWN button or PHASE knob, select New Name or the existing name.

The “---” means that one or more characters can be entered in sequence after the existing name.

- Press the ENTER or Ent button.

- Using the UP or DOWN button or PHASE knob, select the characters that you wish to enter.

Display example



When you press the UP button or turn the PHASE knob clockwise, the characters and symbols appear in the sequence shown below.

Capital letters (A → B → → Y → Z) → Lower-case letters (a → b → → y → z) → Numbers (0 → 1 → → 8 → 9) → Marks → Capital letters...

When you press the DOWN button or turn the PHASE knob counterclockwise, the characters and symbols appear in the reverse sequence described above.

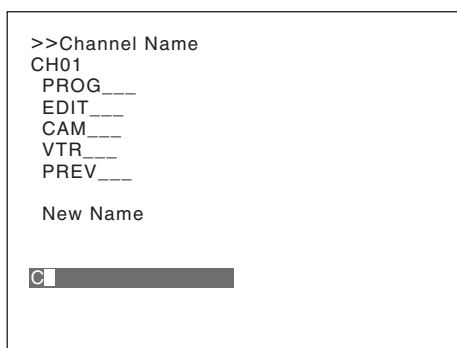
The usable symbols are limited depending on the menu.

“(space)” is not used as a first character of a sentence.

4 Press the ENTER or Ent button.

The selected character is entered.

Display example



5 Repeat steps 3 and 4 until all the characters are entered, then press the ENTER or Ent button.

The selected characters are confirmed and the display returns to the menu of the upper level.

To correct the entered character

Press the Del button. The character on the left side of the cursor is deleted.

Entering the Channel Number

When selecting a one-digit number, press the button of the channel number.

When selecting a two-digit number, first press the 0 button, then press a two-digit channel number.

Channel numbers 91 to 97 assignment

The signal systems to which the internal signal is displayed are assigned to channel numbers 91 to 97. The internal signal of the last signal system is displayed.

091: PLUGE signal

092: 20% gray signal

093: 100% white signal

094: Five-step gray scale signal

095: Ramp signal

096: color-bar signal

097: 0% black signal

To cancel the internal signal, select one from the channel numbers 1 to 30.

Note

You cannot select channel numbers 91 to 97 in the following cases:

- When the DVI Computer signal or the computer signal of HDMI is input
- When Side by Side is set to On
- When Pixel Zoom is set to on

Aborting Menu Operation

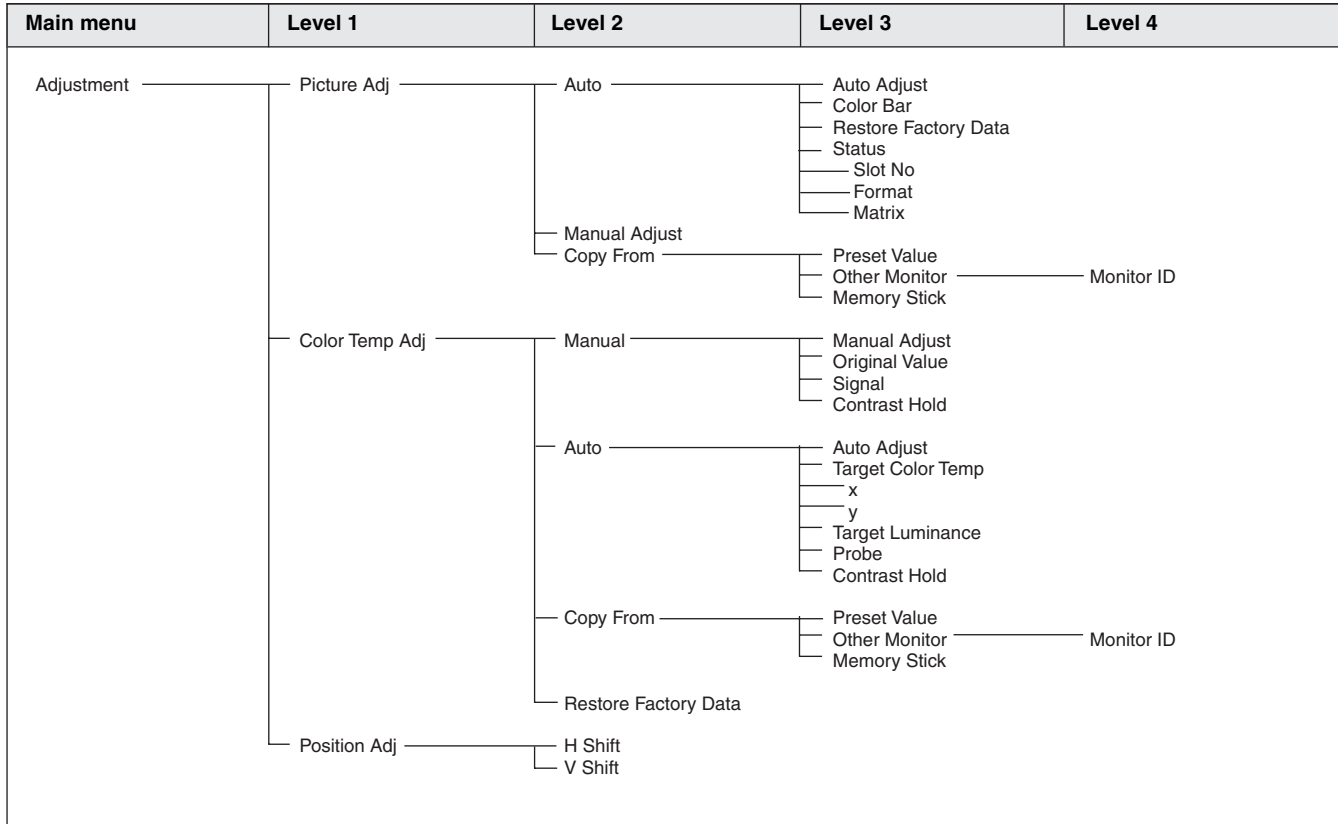
Press the MENU button. The menu of the upper level is displayed.

When the MENU button is pressed in setting mode or during adjustment, the menu returns to the previous setting.

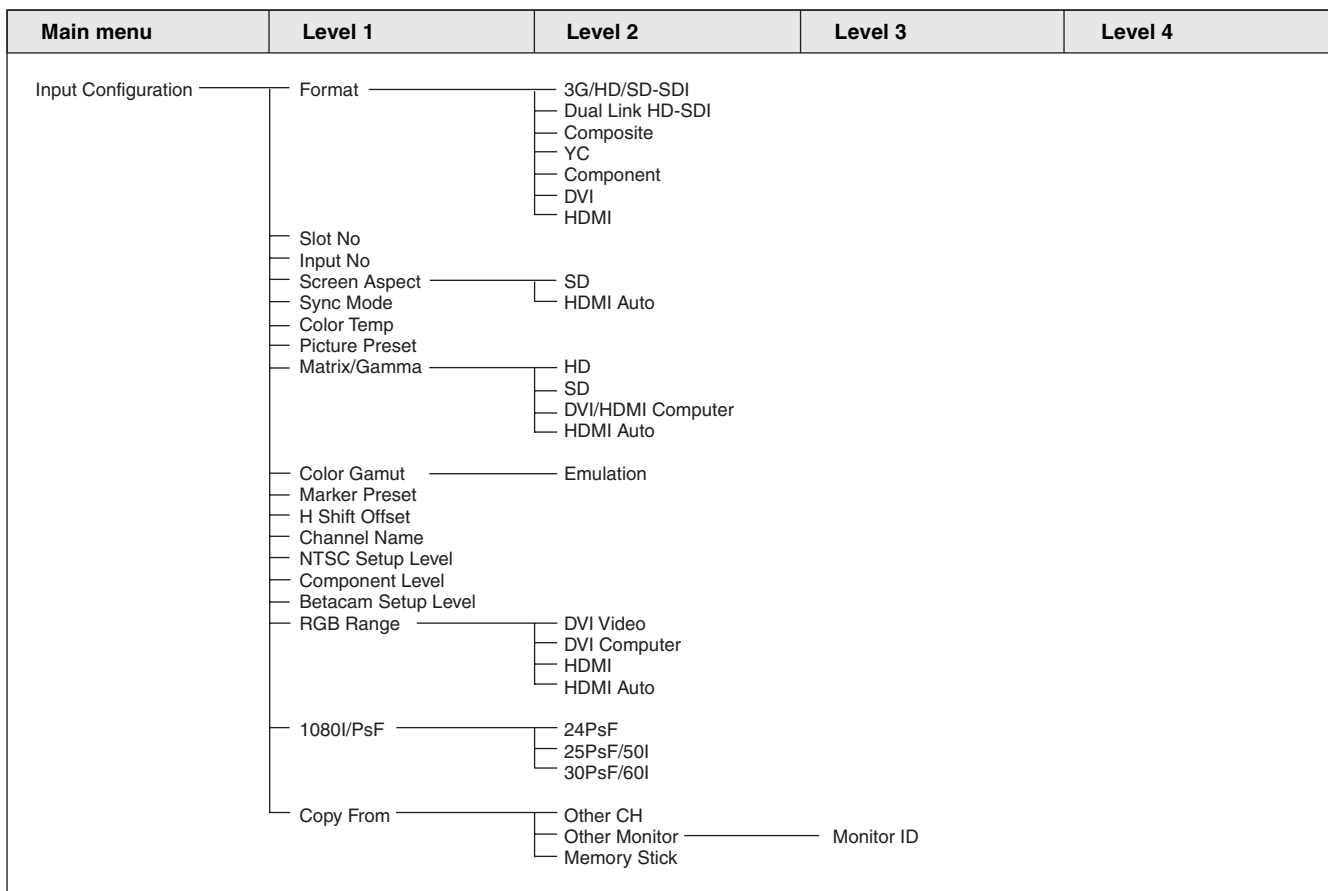
Menu Structure

For details of each menu, see the page in parentheses.

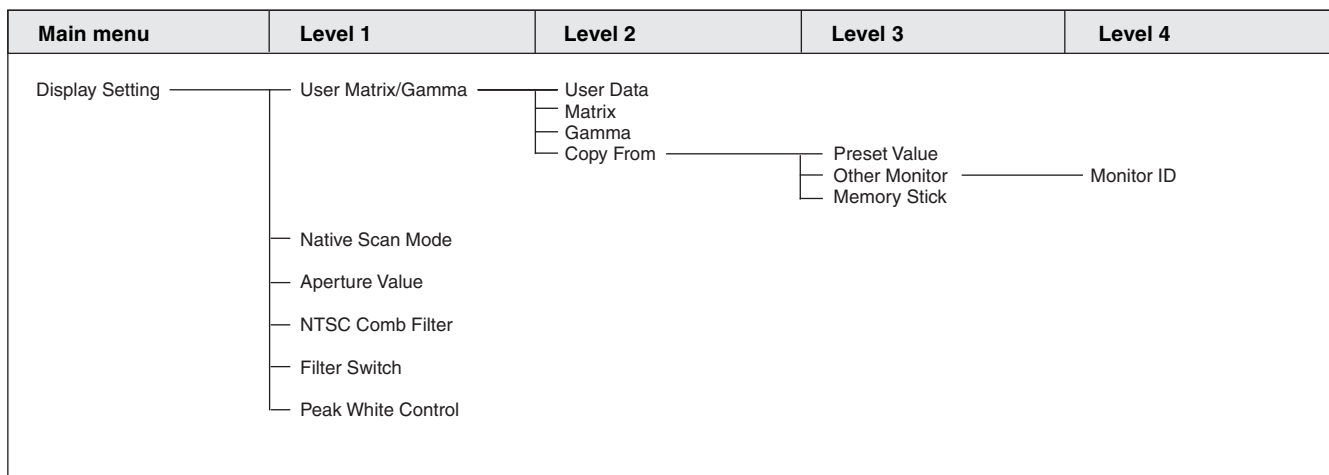
Adjustment menu (page 45)



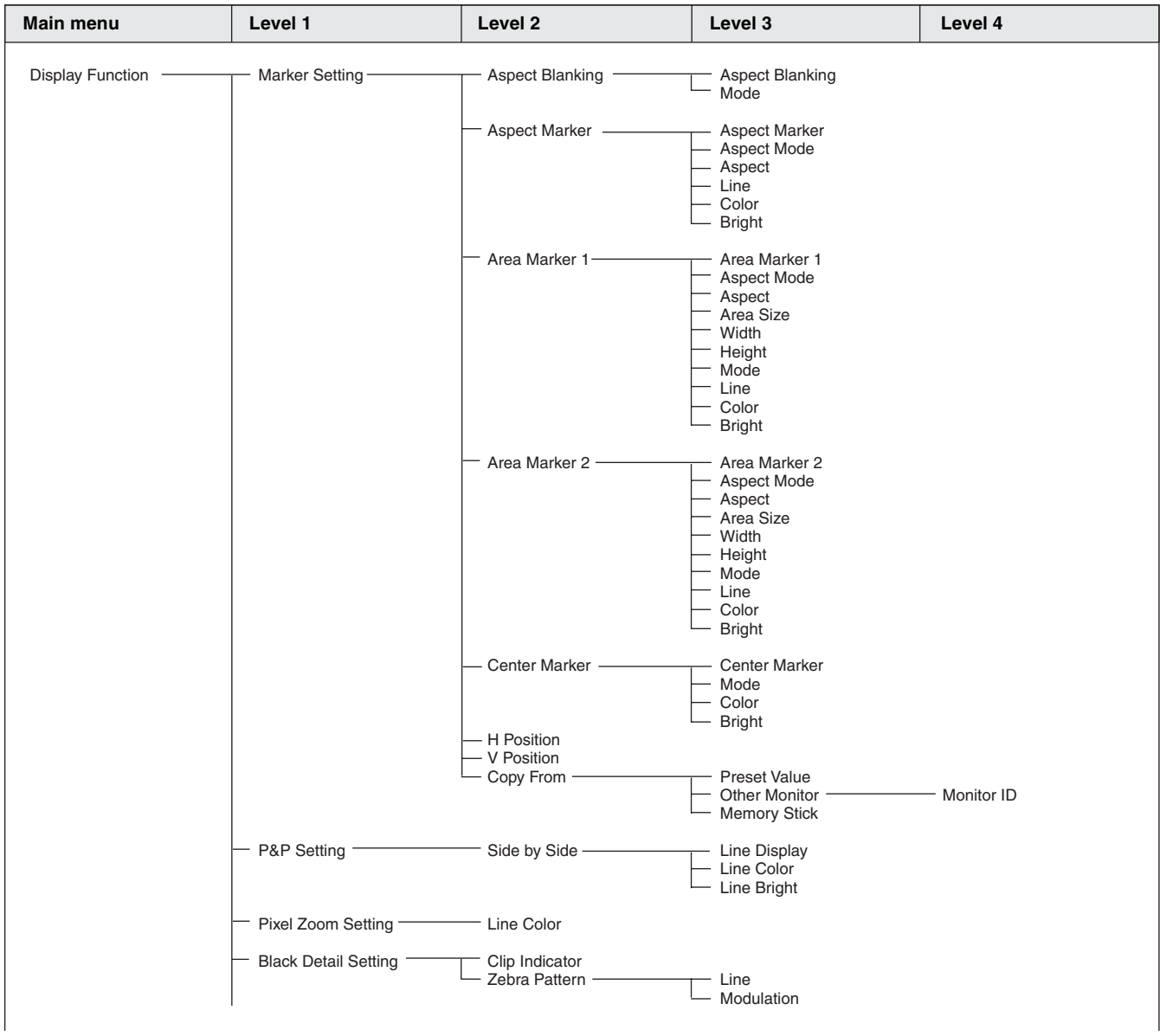
Input Configuration menu (page 51)

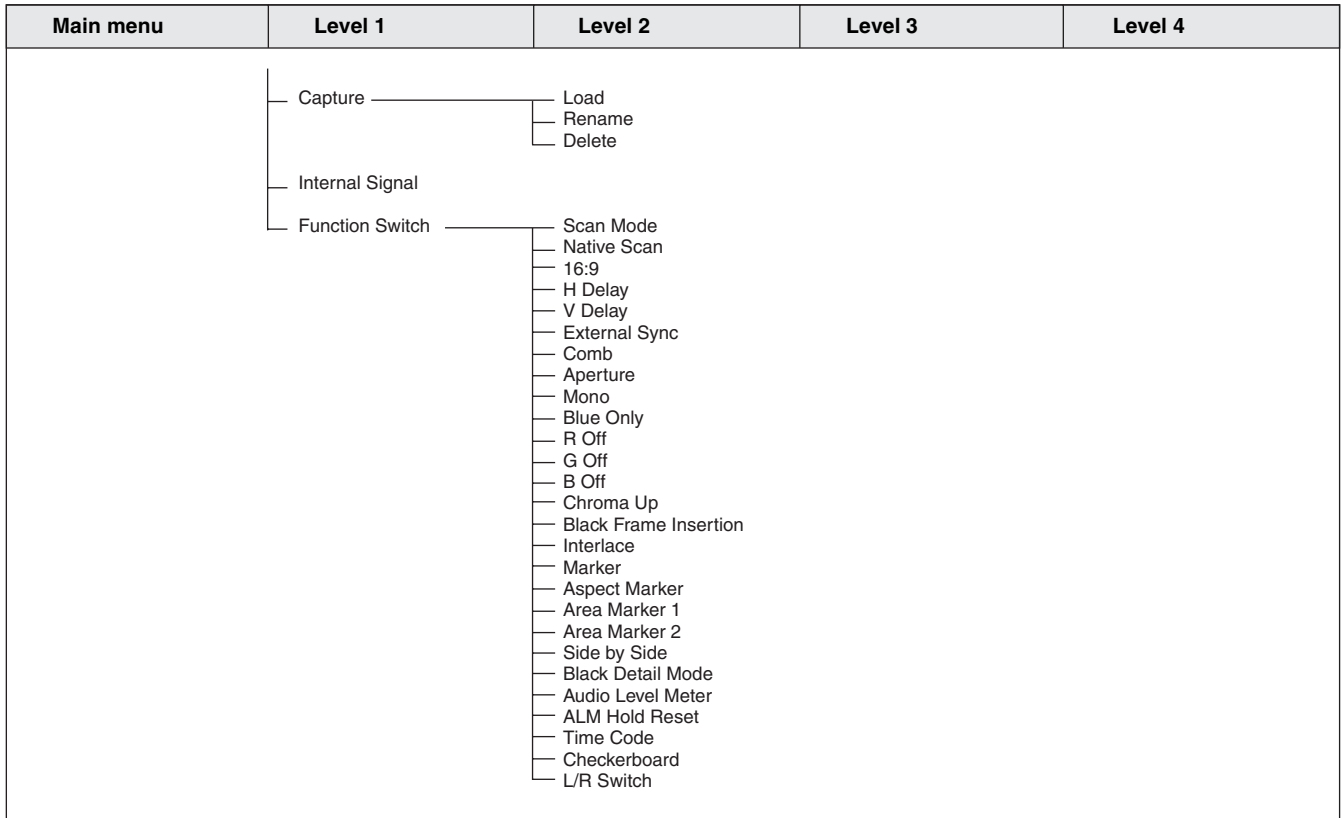


Display Setting menu (page 57)

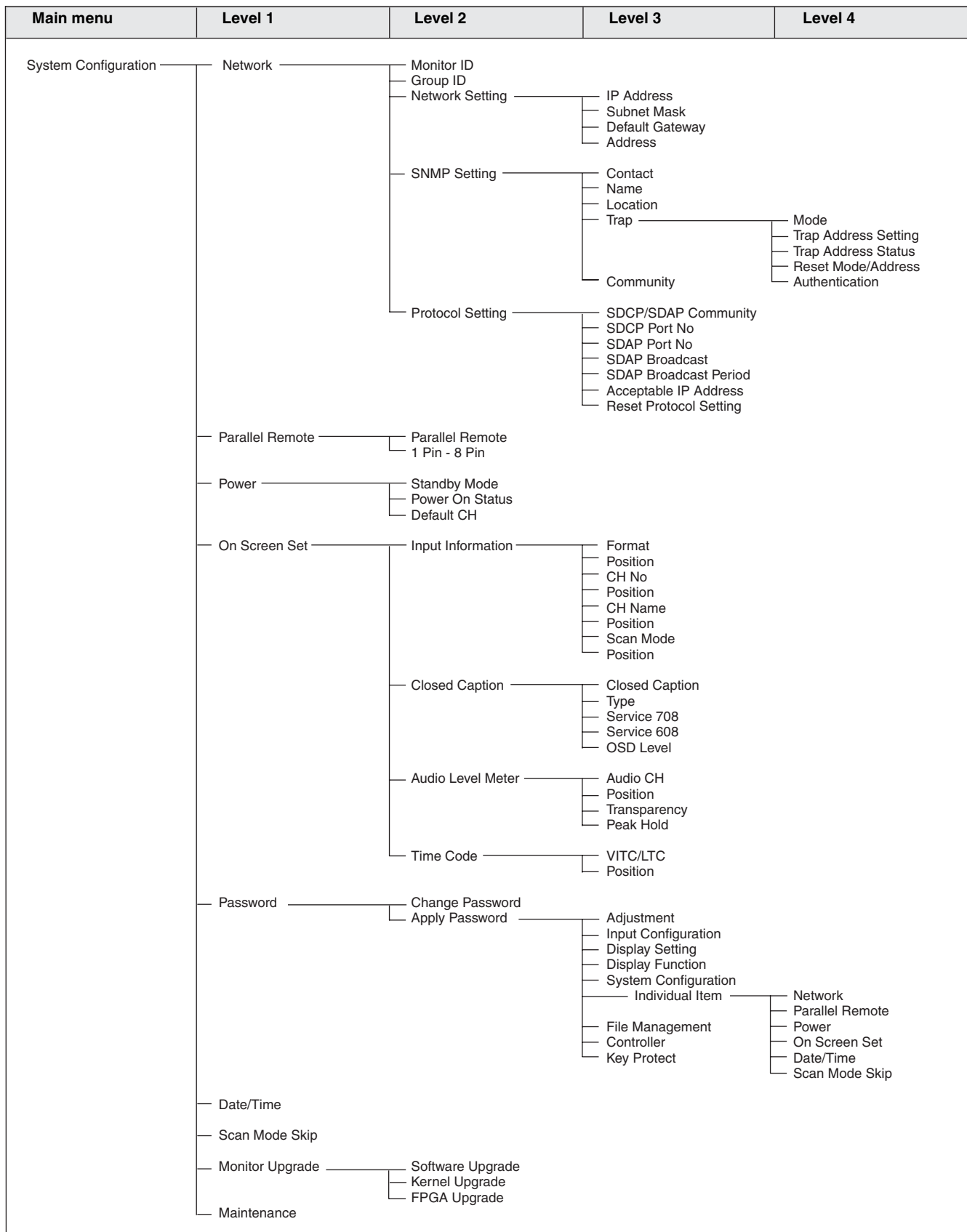


Display Function menu (page 59)





System Configuration menu (page 67)





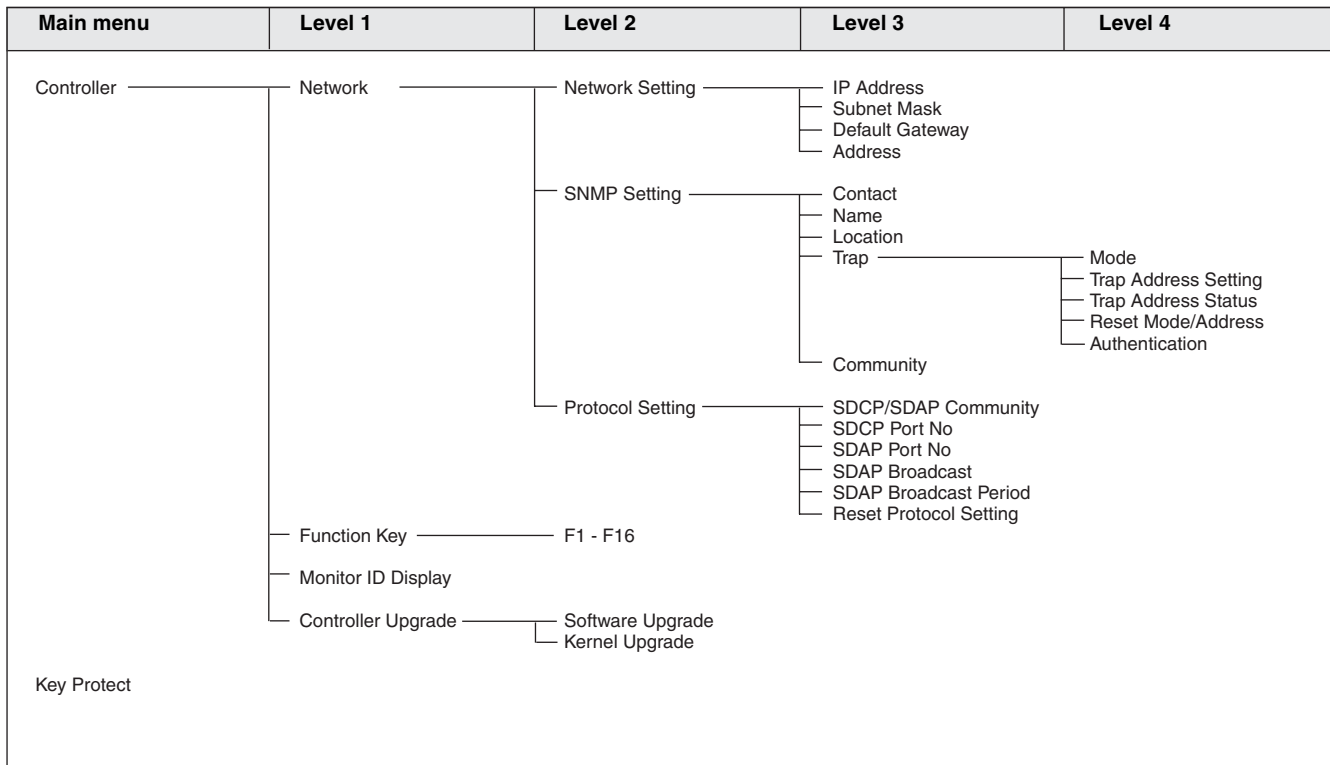
File Management menu (page 74)

Main menu	Level 1	Level 2	Level 3	Level 4
File Management	Save To	Memory Stick		
	Copy From	Other Monitor	Monitor ID	
		Memory Stick		
	Delete	Memory Stick		
	Data Maintenance	Back Up System Data		
Restore System Data				

Status menu (page 76)

Main menu	Level 1	Level 2	Level 3	Level 4
Status	CH Status			
	Slot Status Option1-Option4	Model Name		
		Serial No		
	SDI Payload ID Status	Payload ID		
		Video Standard		
		Sampling Structure		
		Bit Depth		
		Picture Rate		
		I/PsF/P		
		Link Number		
		Current Status		
		Format		
	I/PsF/P			
	HDMI Status	Pixel Encoding		
		Color Depth		
		Matrix/Gamma		
		RGB Range		
Model Name				
Serial No				
Software Version				
Operation Time				
Backlight				
Network Switch				
Controller Status	Model Name			
	Serial No			
	Software Version			
	Network Switch			

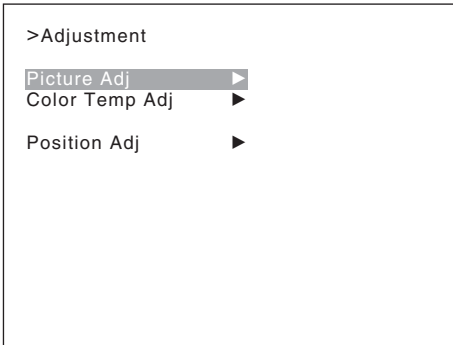
Controller menu (page 78) / Key Protect menu (page 82)



Adjustment Menu

Overview

Adjusts the picture, color temperature, etc.
When Adjustment is selected, the following menu is displayed.



Note

This menu is not selectable in the following cases:

- When Side by Side is set to On

Menu Function and Operation

Menu	Function and operation ([]: factory setting)
Picture Adj	<p>Adjusts the chroma, phase, matrix and signal level automatically and contrast, brightness, chroma and phase to set the preset value to picture adjustment preset data.</p> <p>When the item is selected, the picture adjustment preset data to be set is displayed. To change the picture adjustment preset data to be adjusted, you can select from Preset1, Preset2, Preset3, Preset4 and Preset5 in the Picture Preset menu of the Input Configuration menu.</p> <p><i>For information about the Input Configuration menu, see page 51.</i></p>
Auto	<p>Sets the automatic adjustment of chroma, phase, matrix and signal level.</p> <p>When the item is selected, the selected preset data is displayed. You can select this item when the composite or Y/C signal from the BKM-227W, or the analog component or analog RGB signal from the BKM-229X is displayed.</p> <p>Note This menu is not selectable when the internal signal or captured frame is displayed.</p>
Auto Adjust	<p>Starts automatic adjustment. (It may take some time until the automatic adjustment is completed.) An external color-bar signal for the reference is necessary for automatic adjustment (page 46). The chroma data is reset to the default setting [1000]. The phase data is reset to the default setting [000].</p> <p>Note When the analog component signal or analog RGB signal is input, adjust the picture position in the Position Adj menu (page 50) to perform the automatic adjustment in the Auto Adjust menu. When the picture position does not fit, the adjustment will not be performed correctly and this may cause a malfunction.</p> <p>To cancel adjustment Press the MENU button.</p>

Menu		Function and operation ([]: factory setting)
Picture Adj	Color Bar	Sets the color-bar signal to input. [Full Field 8]: 100% full-field 8-color bars (white, yellow, cyan, green, magenta, red, blue and black) SMPTE: SMPTE standard color bars EIA: EIA standard color bars (effective for 480/60i and 575/50i signals only) Multi Format: Color bars standardized by SMPTE RP219/ARIB STD-B28
	Restore Factory Data	Resets the automatic adjustment data of chroma, phase, matrix and signal level to the default setting. You cannot select this when the setting is the default value. The following message appears. Restore factory data? OK: To reset the data, press the ENTER (Ent) button. Cancel: To cancel, press the MENU button.
	Status	Displays the status of the automatic adjustment data of the chroma, phase, matrix and signal level to be adjusted. Not Adjusted: Displays when the data is not adjusted. Adjusted: Displays when the data is adjusted.
	Slot No	Displays the input option slot number of the automatic adjustment data to be adjusted.
	Format	Displays the signal format and signal system of the automatic adjustment data to be adjusted.
	Matrix	Displays the matrix of the automatic adjustment data to be adjusted.
Manual Adjust	Adjusts values by turning the PHASE, CHROMA, BRIGHT, and/or CONTRAST knobs. After adjustment, press the ENTER (Ent) button to confirm the adjusted values. Phase: -150 to +150 [000] Chroma: 0000 to 2000 [1000] Bright: -500 to +500 [000] Contrast: 0000 to 2500 [1000] To display no characters on the screen while adjusting manually Set the CHAR OFF button to on. The characters disappear. To display characters, set the CHAR OFF button to off. To reset the setting to the default Press the corresponding MANUAL button. The adjusted value is reset to the default. To cancel adjustment Press the MENU button. The adjustment data is cleared. To confirm adjustment Press the ENTER (Ent) button.	
Copy From	Copies picture adjustment preset data. Note Automatic adjustment data is not copied.	
	Preset Value	Copies other data in this monitor. When the item is selected, you can select from Preset1, Preset2, Preset3, Preset4 or Preset5 .
	Other Monitor	Copies data from another monitor.
	Monitor ID	Enter the ID number of the source monitor. When the NETWORK switch is set to PEER TO PEER, this is not selectable. When the ID number is entered, you can select from Preset1, Preset2, Preset3, Preset4 or Preset5 .
	Memory Stick	Copies data in the "Memory Stick". When the item is selected, the file names in the source "Memory Stick" are displayed. When the file is selected, you can select from Preset1, Preset2, Preset3, Preset4 or Preset5 .

Menu	Function and operation ([]: factory setting)
Color Temp Adj	<p>Adjusts the color temperature.</p> <p>When the item is selected, the color temperature data to be adjusted is displayed. When D93 or D65 data is changed, they are displayed as D93* or D65*.</p> <p>To change the color temperature data to be adjusted, select D93, D65, User1, User2, User3, User4 or User5 in the Color Temp menu of the Input Configuration menu.</p> <p><i>For information about the Input Configuration menu, see page 51.</i></p>
Manual	<p>Adjusts the color temperature manually.</p> <p>When the item is selected, the color temperature data to be set is displayed. When D93 or D65 data is changed, they are displayed as D93* or D65*.</p> <p><i>For information about the Input Configuration menu, see page 51.</i></p>
Manual Adjust	<p>Adjusts the color temperature with the adjustment knob.</p> <p>Note This menu is not selectable when the contrast is set to less than 400.</p> <p>When the item is selected, the color temperature adjustment display appears and the x and y values of the color temperature data to be adjusted are displayed.</p> <p>Note The displayed chromaticity coordinates x and y are reference values and are not guaranteed as absolute values.</p> <p>When Contrast Hold is set to On, the adjustable item and the relevant knobs are as follows. To adjust Red (red): BRIGHT knob To adjust Green (green): CHROMA knob To adjust Blue (blue): PHASE knob</p> <p>When Contrast Hold is set to Off, the adjustable item and the relevant knobs are as follows. To adjust Red (red): BRIGHT knob To adjust Green (green): CHROMA knob To adjust Blue (blue): PHASE knob To adjust Contrast (contrast): CONTRAST knob</p> <p>To hide the characters on the monitor during manual adjustment Set the CHAR OFF button of the controller to on. As the characters on the display are hidden, it becomes easy to adjust the picture. To display the characters, set the CHAR OFF button to off.</p> <p>To reset Red, Green and Blue to the value before adjustment Press the MANUAL button of BRIGHT, CHROMA or PHASE. The Red, Green and Blue are reset to the value before adjustment.</p> <p>To reset Contrast to the value before adjustment Press the MANUAL button of CONTRAST.</p> <p>Note You cannot reset the setting after you press the ENTER (Ent) button.</p> <p>To cancel adjustment Press the MENU button. The adjustment data is cleared and the setting returns to the previous value.</p> <p>To confirm adjustment Press the ENTER (Ent) button.</p>
Original Value	<p>Sets the initial value.</p> <p>You can select from D93, D65, User1, User2, User3, User4 or User5.</p> <p>When D93 or D65 data is changed, they are displayed as D93* or D65*.</p>
Signal	<p>Sets the white signal to be used for adjustment.</p> <p>Internal: Select when an internal signal is used. The signal is automatically switched to the 100% white signal.</p> <p>[External]: Select when an external input signal is used. Supply the 100% white signal.</p> <p>Note When the signal format set in the Format menu of the Input Configuration menu is DVI Computer or the computer signal of HDMI, this menu is not selectable. Input the 100% white signal.</p>

Menu		Function and operation ([]: factory setting)
Color Temp Adj	Contrast Hold	Sets whether or not to adjust the color temperature and contrast (backlight) at the same time. Off: Contrast is adjusted. [On]: Contrast is not adjusted.
	Auto	Adjusts the color temperature automatically by using an optional probe. When the item is selected, the color temperature data to be adjusted is displayed. When D93 or D65 data is changed, they are displayed as D93* or D65*. When Contrast Hold is set to Off, the color temperature data and contrast data are displayed. The contrast data is displayed as the picture preset data Preset1 to Preset5 set in Picture Preset of the Input Configuration menu, or MANUAL. To change the displayed data from the picture preset data to MANUAL, set the MANUAL button of CONTRAST to on. To change the displayed data from MANUAL to the picture preset data, set the MANUAL button of CONTRAST to off. To change the type of the picture preset data, select from Preset1 to Preset5 in the Picture Preset menu of the Input Configuration menu. <i>For information about the Input Configuration menu, see page 51.</i>
	Auto Adjust	Starts adjustment. When Auto Adjust is selected, not only the target color temperature but also other color temperature data are adjusted, as the color temperature of the backlight is calibrated in accordance with the color temperature of Target Color Temp. When Contrast Hold is set to Off, the contrast data are also adjusted, as the backlight is calibrated in accordance of the luminance of Target Luminance. Note This menu is not selectable in the following case: • When DVI Computer or the computer signal of HDMI is selected in the Format menu of the Input Configuration menu Before automatic adjustment, select the value to use for the adjustment in following sequence. When you use the previously adjusted values for adjustment, select Auto Adjust to start adjustment without performing step ①, step ② and step ③. ① Select the color temperature to be used in Target Color Temp. When Any is selected, enter the values of the CIE color system x and y coordinates. ② When Contrast Hold is set to Off, select Target Luminance and enter the value of the luminance (cd/m ²) when the 100% white signal is input. ③ Select the probe to be used in Probe. ④ Select Auto Adjust. The following message appears. Set probe on cursor. Attach the probe on the center of the display to start automatic adjustment. (It may take some time until the automatic adjustment is completed.) Note First select the probe and then select Auto Adjust. To cancel/stop the adjustment Press the MENU button.
	Target Color Temp	Sets the adjustment value to be used from D93 , D65 or Any .
	x	Enters the CIE color system x coordinate. Set to 0.280 to 0.345 .
y	Enters the CIE color system y coordinate. Set to 0.280 to 0.352 .	

Menu		Function and operation ([]: factory setting)
Color Temp Adj	Target Luminance	<p>Enters the luminance (cd/m²) when the 100% white signal is input. Adjust the luminance by the contrast adjustment (backlight adjustment). Set to 40 to 250. [100]</p> <p>Notes</p> <ul style="list-style-type: none"> This menu is not selectable when Contrast Hold is set to On. The luminance is reduced to about half due to the principle of operation in the black frame insertion mode or the interlace display mode. However, on this monitor the normal luminance is set by the contrast adjustment (backlight adjustment). For this reason, as the upper limit of Target Luminance becomes about 120 [cd/m²], set it to less than 120 [cd/m²]. The luminance calibrated internally by the backlight does not guarantee an absolute value and may be different from the luminance calibrated by the probe. When you set Target Luminance near to the upper limit (250) or the lower limit (40), the setting value may exceed the adjustment range and cause an error. If an adjustment error occurs, change Target Luminance and perform the automatic adjustment again.
	Probe	<p>Selects the probe to be used for automatic adjustment of the color temperature.</p> <p>[CA-210]: Select when Konica Minolta CA-210 is used. PM 5639/06: Select when DK-Technologies PM 5639/06 is used. Eye-One Pro: Select when X-Rite Eye-One Pro is used.</p> <p>The cable to connect the probe and the monitor is required.</p> <p>About the color temperature after automatic adjustment The values of x and y displayed by the probe may be different from those set in Target Color Temp because the x and y values of the probe is calibrated by the monitor.</p> <p>Note An external PC with USB connector and software for adjusting the color temperature are required to use the Eye-One Pro. Before adjusting the color temperature automatically, start the software for adjusting the color temperature. For the software for adjusting the color temperature, please contact your Sony representative.</p> <p><i>For more information about the cable specification required and about the connection, see "Connection Cable Specifications for Color Temperature Probes" on page 129.</i></p>
	Contrast Hold	<p>Sets whether or not to adjust the contrast (backlight) together with the automatic color temperature adjustment.</p> <p>Off: The contrast is set to the value depending on the luminance set in Target Luminance. [On]: The contrast is not adjusted.</p>
Copy From		Copies the other color temperature.
	Preset Value	<p>Copies other data in this monitor. When the item is selected, you can select from D93, D65, User1, User2, User3, User4 or User5.</p> <p>D93: Copies the color temperature of D93. D65: Copies the color temperature of D65. User1 to 5: Copies the color temperature of User1 to 5.</p> <p>When D93 or D65 data is changed, they are displayed as D93* or D65*.</p>
	Other Monitor	Copies data from another monitor.
	Monitor ID	<p>Enter the ID number of the source monitor. When the NETWORK switch is set to PEER TO PEER, this is not selectable. When the ID number is entered, you can select from D93, D65, User1, User2, User3, User4 or User5.</p> <p>D93: Copies the color temperature of D93. D65: Copies the color temperature of D65. User1 to 5: Copies the color temperature of User1 to 5.</p> <p>When D93 or D65 data is changed, they are displayed as D93* or D65*.</p>
	Memory Stick	<p>Copies data in the "Memory Stick". When the item is selected, the file names in the source "Memory Stick" are displayed. When the file is selected, you can select from D93, D65, User1, User2, User3, User4 or User5.</p> <p>D93: Copies the color temperature of D93. D65: Copies the color temperature of D65. User1 to 5: Copies the color temperature of User1 to 5.</p> <p>When D93 or D65 data is changed, they are displayed as D93* or D65*.</p>

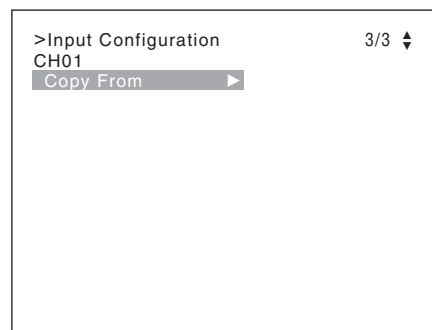
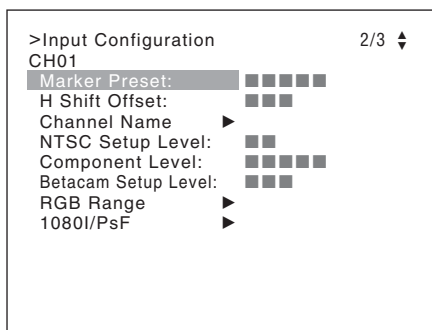
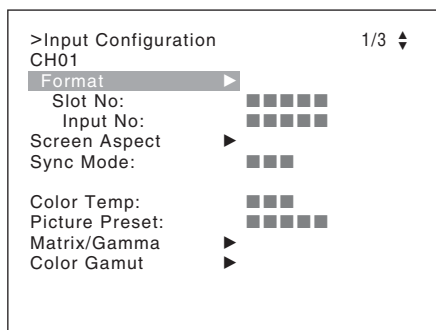


Menu		Function and operation ([]: factory setting)
Color Temp Adj	Restore Factory Data	Resets the color temperature to the default setting. You cannot select this when the setting is the default value. The following message appears to confirm the data reset operation. Restore factory data? OK: To reset the data, press the ENTER (Ent) button. Cancel: To cancel, press the MENU button.
Position Adj		Adjusts the position of the picture when the analog signal is input. When the item is selected, the signal system to be set is displayed. You can select the item when the composite or Y/C signal from the BKM-227W, or the analog component or analog component RGB signal from the BKM-229X is displayed. To hide the characters on the monitor during adjustment Set the CHAR OFF button of the controller to on. As the characters on the display are hidden, it becomes easy to adjust the picture. To display the characters, set the CHAR OFF button to off. Note This menu is not selectable when the internal signal or captured frame is displayed.
	H Shift	Adjusts the horizontal position of the picture. As the setting increases, the picture moves to the right, and as the setting decreases, the picture moves to the left. [000] Set in the H Shift Offset menu (page 55) of the Input Configuration menu when the difference of the horizontal position is necessary to adjust for different input signals of the same signal system, etc.
	V Shift	Adjusts the vertical position of the picture. As the setting increases, the picture moves up, and as the setting decreases, the picture moves down. [000]

Input Configuration Menu

Overview

This menu is used for pertaining data to the input signals.
When Input Configuration is selected, the following menus are displayed.



The current channel is displayed. Perform the input setting for the selected channel.

Note

This menu is not selectable in the following cases:

- When Side by Side is set to On

Before setting

Set the input signal for each channel. A channel number (1 to 30) is entered with the numeric buttons (page 37).

Menu Function and Operation

Menu	Function and operation ([]: factory setting)
Format	Sets the input signal type. Note The default setting is HD-SDI/D1 Auto. Set Format except for when the BKM-243HS, BKM-244CC or BKM-250TG is installed.
3G/HD/SD-SDI	Sets the serial digital signal format (Single-link 3G-SDI, HD-SDI or SD-SDI) when BKM-220D, BKM-243HS, BKM-244CC or BKM-250TG is installed. When BKM-220D is installed D1 When BKM-243HS or BKM-244CC is installed [HD-SDI/D1 Auto]: Changes the format automatically according to the format of the input signal. D1



Menu	Function and operation ([]: factory setting)
Format	<p>When BKM-250TG is installed</p> <p>3G/HD/SD-SDI Auto: Changes the format automatically according to the Sampling Structure, Bit Depth, Picture and transport scanning method information for Payload ID of SMPTE-352M standard superimposed on the input signals.</p> <p>Note You can confirm the Payload ID information and the signal format status of the current monitor in “SDI Payload ID Status” (page 77) of the Status menu.</p> <p>3G-SDI: Sets the signal format.</p> <p>4:2:2 YPbPr 10bit 4:4:4 YPbPr 10bit 4:4:4 RGB 10bit 4:4:4 YPbPr 12bit 4:4:4 RGB 12bit</p> <p>[HD-SDI/D1 Auto]: Changes the format automatically according to the format of the input signal.</p> <p>D1</p>
Dual Link HD-SDI	<p>Sets the Dual-link HD-SDI signal format when two BKM-243HS or BKM-244CC are installed in the OPTION 1 and 2 or OPTION 3 and 4 option slots or BKM-250TG is installed.</p> <p>4:2:2 YPbPr 10bit 4:4:4 YPbPr 10bit 4:4:4 RGB 10bit 4:4:4 YPbPr 12bit 4:4:4 RGB 12bit</p>
Composite	<p>Sets the composite signal format when BKM-227W is installed.</p> <p>Auto: Changes automatically according to the format of the input signal. It will take a few seconds to detect the format of an input signal. It is recommended that a particular format be selected if it is determined.</p> <p>NTSC PAL PAL-M SECAM</p>
YC	<p>Sets the Y/C signal format when BKM-227W is installed.</p> <p>Auto: Changes automatically according to the format of the input signal. It will take a few seconds to detect the format of an input signal. It is recommended that a particular format be selected if it is determined.</p> <p>NTSC PAL PAL-M SECAM</p>
Component	<p>Sets the analog component signal format or analog RGB signal format when BKM-229X is installed.</p> <p>You can select from YPbPr or RGB.</p>
DVI	<p>Sets the DVI signal format.</p> <p>Video: Displays the CEA-861 signal. Computer: Displays the computer output signal such as the VESA standard signal.</p> <p><i>For each signal format to be displayed, see page 107.</i></p>
HDMI	<p>Sets the HDMI signal format.</p> <p>In this manual, the 800 × 600, 1024 × 768, 1280 × 960, 1280 × 1024 and 1400 × 1050 signals are referred to as the HDMI computer signals.</p> <p><i>For the signal format to be displayed, see page 108.</i></p>

Menu	Function and operation ([]: factory setting)
Slot No	<p>Enters the option slot number. You can select from Option1 to Option4, Option1&2 or Option3&4.</p> <p>Adaptor and the item to be selected</p> <p>Option1 to Option4</p> <ul style="list-style-type: none"> When the BKM-250TG is installed and Format is set to 3G/HD/SD-SDI Auto or 4:2:2 YPbPr 10bit, 4:4:4 YPbPr 10bit, 4:4:4 RGB 10bit, 4:4:4 YPbPr 12bit or 4:4:4 RGB 12bit of 3G-SDI When the BKM-243HS, BKM-244CC or BKM-250TG is installed and Format is set to HD-SDI/D1 Auto When the BKM-220D, BKM-243HS, BKM-244CC or BKM-250TG is installed and Format is set to D1 When the BKM-227W is installed and Format is set to Composite Auto, Composite NTSC, Composite PAL, Composite PAL-M, Composite SECAM, YC Auto, YC NTSC, YC PAL, YC PAL-M or YC SECAM When the BKM-229X is installed and Format is set to Component YPbPr or Component RGB <p>Option1&2, Option3&4</p> <ul style="list-style-type: none"> When two BKM-243HS or BKM-244CC are installed in the OPTION 1 and 2 or OPTION 3 and 4 option slots and Format is set to 4:2:2 YPbPr 10bit, 4:4:4 YPbPr 10bit, 4:4:4 RGB 10bit, 4:4:4 YPbPr 12bit or 4:4:4 RGB 12bit of Dual Link HD-SDI <p>Note When the setting of Format and the installed adaptor do not match, the setting value may not be changed. Set the Format correctly according to the installed adaptor.</p>
Input No	<p>Enters the input connector number. You can select from [Input 1] or Input 2.</p> <p>Adaptor and the item to be selected</p> <p>Input 1, Input 2</p> <ul style="list-style-type: none"> When the BKM-250TG is installed and Format is set to 3G/HD/SD-SDI Auto or 4:2:2 YPbPr 10bit, 4:4:4 YPbPr 10bit, 4:4:4 RGB 10bit, 4:4:4 YPbPr 12bit or 4:4:4 RGB 12bit of 3G-SDI When the BKM-243HS, BKM-244CC or BKM-250TG is installed and Format is set to HD-SDI/D1 Auto When the BKM-220D, BKM-243HS, BKM-244CC or BKM-250TG is installed and Format is set to D1 When two BKM-243HS or BKM-244CC are installed in the OPTION 1 and 2 or OPTION 3 and 4 option slots and Format is set to 4:2:2 YPbPr 10bit, 4:4:4 YPbPr 10bit, 4:4:4 RGB 10bit, 4:4:4 YPbPr 12bit or 4:4:4 RGB 12bit of Dual Link HD-SDI <p>Note When the setting of Format and the installed adaptor do not match, the setting value may not be changed. Set the Format correctly according to the installed adaptor.</p>
Screen Aspect	<p>Selects the aspect ratio.</p> <p>Note This menu is not selectable when Format is set to DVI Computer.</p>
SD	<p>Sets the aspect ratio of the SD signal. You can select from [16:9] or 4:3.</p>
HDMI Auto	<p>Sets the manual or automatic setting for the aspect ratio of the HDMI signal.</p> <p>Off: Select to set the aspect ratio manually with the controller, etc. [On]: Select to set the aspect ratio automatically according to the input signal. The aspect ratio is not set with the controller, etc.</p>
Sync Mode	<p>Sets the sync signal when the analog component signal or analog RGB signal is input. You can select when Format is set to Component YPbPr or Component RGB.</p> <p>[Internal]: Select when an internal sync signal is used. External: Select when an external sync signal is used.</p>
Color Temp	<p>Sets the color temperature. You can select from D93, D65, or User1 to User5. When D93 or D65 data is changed, they are displayed as D93* or D65*.</p>
Picture Preset	<p>Sets the picture adjustment preset. Select from Preset1 to Preset5.</p>

Menu	Function and operation ([]: factory setting)																					
Matrix/Gamma	<p>Sets Matrix/Gamma data (transmission matrix and transmission gamma) depending on the input signal format.</p> <p>Matrix/Gamma data are five data in which the transmission matrix and transmission gamma have been preset and five user data in which the transmission matrix and transmission gamma can be selected respectively (see below table).</p> <p>Preset data: ITU-R BT.709, ITU-R BT.601, SMPTE 240M, xvYCC 709, xvYCC 601 Data set respectively: User1 to User5</p> <p>The Matrix/Gamma data can be set for each type of the input signal (HD, SD or DVI/HDMI Computer).</p> <p><i>For the type of the input signal, see "Matrix/Gamma Setting Table" (page 116).</i></p> <table border="1" data-bbox="553 497 1310 938"> <thead> <tr> <th>Matrix/Gamma</th> <th>Matrix (Transmission matrix)</th> <th>Gamma (Transmission gamma)</th> </tr> </thead> <tbody> <tr> <td>ITU-R BT.709</td> <td>ITU709</td> <td>2.2</td> </tr> <tr> <td>ITU-R BT.601</td> <td>ITU601</td> <td>2.2</td> </tr> <tr> <td>SMPTE 240M</td> <td>SMPTE240M</td> <td>2.2</td> </tr> <tr> <td>xvYCC 709</td> <td>ITU709</td> <td>xvYCC</td> </tr> <tr> <td>xvYCC 601</td> <td>ITU601</td> <td>xvYCC</td> </tr> <tr> <td>User1 to User5</td> <td>ITU709 ITU601 SMPTE240M Select above three types.</td> <td>2.2 xvYCC Select above two types.</td> </tr> </tbody> </table> <p>Matrix/Gamma data</p> <p>ITU-R BT.709: Select when the signal of the ITU-R BT.709 standards format is input. ITU-R BT.601: Select when the signal of the ITU-R BT.601 standards format is input. SMPTE 240M: Select when the signal of the SMPTE-240M standards format is input. xvYCC 709: Select when the IEC 61966-2-4 standards (xvYCC) and the transmission matrix ITU-R BT.709 standards format signal is input. xvYCC 601: Select when the IEC 61966-2-4 standards (xvYCC) and the transmission matrix ITU-R BT.601 standards format signal is input. User1 - User5: Select when the transmission matrix and transmission gamma is set individually depending on the input signal format.</p> <p>Note</p> <p>When you select xvYCC 709 or xvYCC 601, set Emulation (page 55) to PVM-L1700 Native in the Color Gamut menu of the Input Configuration menu to display the extended color gamut area.</p> <p><i>For setting the user data (User1 to User5) of Matrix/Gamma, see the User Matrix/Gamma menu (page 57) of the Display Setting menu.</i></p> <p>Transmission matrix</p> <p>ITU709: Matrix of ITU-R BT.709 standards ITU601: Matrix of ITU-R BT.601 standards SMPTE240M: Matrix of SMPTE-240M standards</p> <p>Note</p> <p>The internal fixed value applies to the transmission matrix of the RGB format.</p> <p>Transmission gamma</p> <p>2.2: Transmission gamma 2.2 xvYCC: Transmission gamma of IEC 61966-2-4 standards (xvYCC)</p> <p>Notes</p> <ul style="list-style-type: none"> • When you select xvYCC, set Emulation (page 55) to PVM-L1700 Native in the Color Gamut menu of the Input Configuration menu to display the extended color gamut area. • When the quantization range of the DVI or HDMI signal is Full, the internal fixed value of the transmission gamma is applied. 	Matrix/Gamma	Matrix (Transmission matrix)	Gamma (Transmission gamma)	ITU-R BT.709	ITU709	2.2	ITU-R BT.601	ITU601	2.2	SMPTE 240M	SMPTE240M	2.2	xvYCC 709	ITU709	xvYCC	xvYCC 601	ITU601	xvYCC	User1 to User5	ITU709 ITU601 SMPTE240M Select above three types.	2.2 xvYCC Select above two types.
Matrix/Gamma	Matrix (Transmission matrix)	Gamma (Transmission gamma)																				
ITU-R BT.709	ITU709	2.2																				
ITU-R BT.601	ITU601	2.2																				
SMPTE 240M	SMPTE240M	2.2																				
xvYCC 709	ITU709	xvYCC																				
xvYCC 601	ITU601	xvYCC																				
User1 to User5	ITU709 ITU601 SMPTE240M Select above three types.	2.2 xvYCC Select above two types.																				

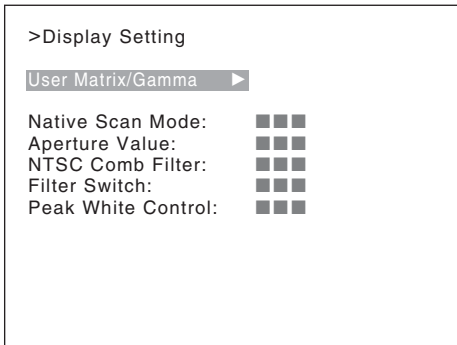
Menu	Function and operation ([]: factory setting)	
Matrix/Gamma	HD	Sets Matrix/Gamma of the HD signal. You can select from [ITU-R BT.709], ITU-R BT.601, SMPTE 240M, xvYCC 709, xvYCC 601 or User1 to User5.
	SD	Sets Matrix/Gamma of the SD signal. You can select from ITU-R BT.709, [ITU-R BT.601], SMPTE 240M, xvYCC 709, xvYCC 601 or User1 to User5.
	DVI/HDMI Computer	Sets Matrix/Gamma of the DVI/HDMI Computer signal. You can select from [ITU-R BT.709], ITU-R BT.601, SMPTE 240M, xvYCC 709, xvYCC 601 or User1 to User5.
	HDMI Auto	Sets the manual or automatic setting for the transmission matrix/transmission gamma of the HDMI signal. Off: Select to use Matrix/Gamma set in the HD, SD or DVI/HDMI Computer menu. [On]: Select to set Matrix/Gamma automatically according to the input signal. Note When HDMI Auto is set to On and the signal of which the format is RGB and transmission gamma is xvYCC is input, transmission gamma is set to the value fixed inside the monitor.
Color Gamut	As the PVM-L1700 is equipped with the wider color space backlight, the signal can be displayed (emulation) in the color gamut (color space and gamma) selected in the Emulation menu.	
Emulation	Sets the used color gamut (color space and gamma). BVM SMPTE-C: Displays in the color gamut of BVM-A24 SMPTE-C phosphor CRT. BVM EBU: Displays in the color gamut of BVM-A24 EBU phosphor CRT. ITU-R BT.709: Displays in the color gamut of three primary colors chromaticity point provided by ITU-R BT.709. PVM-L1700 Native: Displays in the color gamut of the PVM-L1700 individual three primary colors chromaticity point. This is the widest color space setting of the signal reproduced by the PVM-L1700.	
Marker Preset	Sets the marker preset data. You can select from Marker1 to Marker5 . [Marker1] <i>For setting the marker, see the Marker Setting menu (page 59) of the Display Function menu.</i>	
H Shift Offset	Sets the horizontal picture position when the analog signal is input. You can select when Format is set to Composite Auto, Composite NTSC, Composite PAL, Composite PAL-M, Composite SECAM, YC Auto, YC NTSC, YC PAL, YC PAL-M, YC SECAM, Component YPbPr or Component RGB. Set to -100 to +100* . [000] *When the setting value is out of range, the display of the setting value is changed but the horizontal position of the picture is not changed. To hide the characters on the monitor during adjustment Set the CHAR OFF button of the controller to on. As the characters on the display are hidden, it becomes easy to adjust the picture. To display the characters, set the CHAR OFF button to off.	
Channel Name	Sets a channel name. When the item is selected, you can select a preset name, or enter a new one. PROG: Program signal EDIT: Signal from an editor CAM: Camera signal VTR: Signal from a VTR PREV: Preview monitor New Name: Enter a new name. (Up to 20 characters can be entered.)	
NTSC Setup Level	Sets the NTSC setup level. You can select when Format is set to Composite Auto, Composite NTSC, YC Auto or YC NTSC. You can select from 0% or 7.5% .	
Component Level	Sets the component level of the analog component 480/60i signal. You can select when Format is set to Component YPbPr. You can select from SMPTE/EBU-N10 or Betacam .	
Betacam Setup Level	Sets the Betacam setup level when Component Level is set to Betacam. You can select from 0% or 7.5% .	

Menu	Function and operation ([]: factory setting)
RGB Range	Sets the quantization range of the DVI or HDMI input signal. You can select when Format is set to DVI Video, DVI Computer or HDMI.
DVI Video	Sets the display mode for the DVI Video signal. Full: 0 (black level) to 255 (white level) (8bit) [Limit]: 16 (black level) to 235 (white level) (8bit)
DVI Computer	Sets the display mode for the DVI Computer signal. [Full]: 0 (black level) to 255 (white level) (8bit) Limit: 16 (black level) to 235 (white level) (8bit)
HDMI	Sets the display mode for the HDMI signal. Full: 0 (black) to 255 (8bit)/1023 (10bit)/4095 (12bit) (white level) [Limit]: 16 (8bit)/64 (10bit)/256 (12bit) (black level) to 235 (8bit)/940 (10bit)/3760 (12bit) (white level)
HDMI Auto	Sets the manual or automatic setting for the quantization range of the HDMI signal. Off: Select to use the quantization range set in the HDMI menu. [On]: Select to set the quantization range automatically according to the input signal.
1080i/PsF	When the 1080i/PsF signal is input, select the display mode. You can select when Format is set to 3G/HD/SD-SDI Auto, HD-SDI/D1 Auto, 4:2:2 YPbPr 10bit, 4:4:4 YPbPr 10bit, 4:4:4 RGB 10bit, 4:4:4 YPbPr 12bit, 4:4:4 RGB 12bit, Component YPbPr or Component RGB. When 1080i is selected, the I/P conversion signal is displayed. When 1080PsF is selected, the progressive conversion (PsF to P) signal is displayed. When the 1080PsF signal is input and 1080i is selected, the display delay is shortened. The signal converted from PsF to P is not displayed and the I/P conversion signal is displayed.
24PsF	Sets the display mode for the 1080/24PsF signal. You can select from 1080i or [1080PsF] .
25PsF/50i	Sets the display mode for the 1080/25PsF, 50i signal. You can select from [1080i] or 1080PsF .
30PsF/60i	Sets the display mode for the 1080/30PsF, 60i signal. You can select from [1080i] or 1080PsF .
Copy From	Copies signal setting data from other channel.
Other CH	Copies other data in this monitor. When the item is selected, you can designate the channel to be copied.
Other Monitor	Copies data from other monitor.
Monitor ID	Enters the ID number of the source monitor. When the NETWORK switch is set to PEER TO PEER, this is not selectable. When the item is selected, you can designate the source monitor. When the ID number is entered, you can designate the channel to be copied.
Memory Stick	Copies data in the "Memory Stick". When the item is selected, the file names in the source "Memory Stick" are displayed. When the file is selected, you can enter the channel number in the selected file.

Display Setting Menu

Overview

This menu is used for setting the monitor condition such as the color reproduction or frame. When Display Setting is selected, the following menu is displayed.



Menu Function and Operation

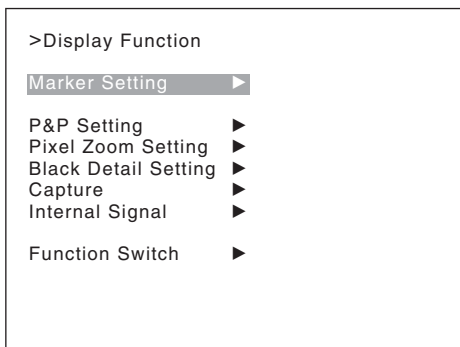
Menu	Function and operation ([]: factory setting)
User Matrix/Gamma	Sets the user data (User1 to User5) of Matrix/Gamma (transmission matrix and transmission gamma). As the signal is processed internally by the data setting of Matrix/Gamma, the signal may not be displayed correctly, if the signal is not set according to the transmission standards for the input signal. <i>For the transmission gamma and the transmission matrix of Matrix/Gamma, see the Matrix/Gamma menu (page 54) of the Input Configuration menu.</i>
User Data	Selects the user data of Matrix/Gamma. You can select from User1 to User5 . [User1]
Matrix	Sets the transmission matrix. [ITU709] : Matrix of ITU-R BT.709 standards ITU601 : Matrix of ITU-R BT.601 standards SMPTE 240M : Matrix of SMPTE-240M standards Note The internal fixed value applies to the transmission matrix of the RGB format.
Gamma	Sets the transmission gamma. [2.2] : Transmission gamma 2.2 xvYCC : Transmission gamma of IEC 61966-2-4 standards (xvYCC) Notes <ul style="list-style-type: none"> When you select xvYCC, set Emulation (page 55) to PVM-L1700 Native in the Color Gamut menu of the Input Configuration menu to display the extended color gamut area. When the quantization range of the DVI signal or HDMI signal is Full, the internal fixed value of the transmission gamma is applied.
Copy From	Copies the user data from the other Matrix/Gamma.
Preset Value	Copies other data in this monitor. When the item is selected, you can select from User1 , User2 , User3 , User4 or User5 .
Other Monitor	Copies data from another monitor.
Monitor ID	Enter the ID number of the source monitor. When the NETWORK switch is set to PEER TO PEER, this is not selectable. When the ID number is entered, you can select from User1 , User2 , User3 , User4 or User5 .

Menu		Function and operation ([]: factory setting)
User Matrix/Gamma	Memory Stick	Copies data in the "Memory Stick". When the item is selected, the file names in the source "Memory Stick" are displayed. When the file is selected, you can select from User1 , User2 , User3 , User4 or User5 .
Native Scan Mode		Sets the native scan mode. [Aspect Correction]: Displaying an SD signal of non-square pixels (the number of H pixels of the signal system is 720 or 1440) or a 640 × 480 SD signal of DVI video/HDMI video by scaling processing of doubling for the V direction and correct aspect ratio for the H direction and also optimizing and displaying a picture by modifying the aperture coefficient value, filter coefficient value, etc. x1: Input signal display without conversion x2: Input signal display doubled <i>For selecting Aspect Correction, x1 or x2, see "Picture Display Size" on page 110.</i> Notes <ul style="list-style-type: none"> When an HD signal, DVI computer signal or the computer signal of HDMI is input, the signal is displayed in x1 mode, even if the mode is set to Aspect Correction or x2. When an SD signal from the BKM-229X is input and the number of the H pixels of the signal system is 1440, the signal is displayed in x2 mode, even if the mode is set to x1. When you select Aspect Correction and set Native Scan to On for SD signal input, Aperture is set to On (factory setting).
Aperture Value		Sets the aperture modification value. Sets to 000 to 200 . [090] (when the signal is displayed in Aspect Correction mode of the native display), [000] (when the signal is displayed in mode other than Aspect Correction of the native display)
NTSC Comb Filter		Sets the type of NTSC filter. You can select from [3Lines] or 3D . When the BKM-227W is installed, you can select the item.
Filter Switch		Sets whether or not to turn on the Y/C separation filter ([Off] or On) when the picture is set to monochrome mode. When the BKM-227W is installed, you can select the item.
Peak White Control		When the brightness is increased, using the brightness adjustment, the picture may be clipped, because of the dynamic range of the circuit. Sets whether or not to control the signal gain automatically according to the setting value of the brightness, to prevent such clipping (Off or [On]).

Display Function Menu

Overview



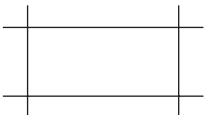
This menu is used to set the function related to the picture display.
When Display Function is selected, the following menu is displayed.



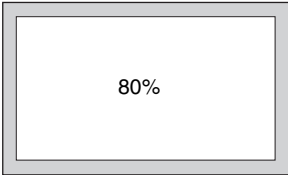
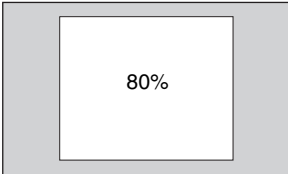
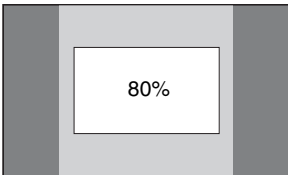
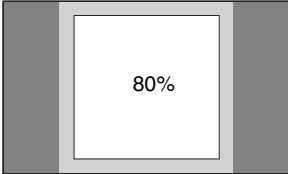
Menu Function and Operation

Menu	Function and operation ([]: factory setting)
Marker Setting	<p>Sets whether or not to display the marker when the MARKER button is pressed, and the display mode.</p> <p>When the item is selected, the marker preset data to be set is displayed. To change the marker preset data to be adjusted, you can select from Marker1, Marker2, Marker3, Marker4 or Marker5 in the Marker Preset menu of the Input Configuration menu. <i>For information about the Input Configuration menu, see page 51.</i></p> <p>To hide the characters on the monitor during setting Set the CHAR OFF button of the controller to on. As the characters on the display are hidden, it becomes easy to adjust the picture. To display the characters, set the CHAR OFF button to off.</p>
Aspect Blanking	Sets the display of the blanking outside the area of the aspect marker.
Aspect Blanking	<p>Sets whether or not to set the blanking.</p> <p>[Off]: Blanking is released. On: Blanking.</p>
Mode	<p>Sets the blanking mode when Aspect Blanking is set to On.</p> <p>You can select from Black (blanking) or [Half] (half blanking).</p>
Aspect Marker	Sets the aspect marker display.
Aspect Marker	Sets whether or not to display the aspect marker when the MARKER button is pressed ([Off] or On).
Aspect Mode	<p>Sets the aspect ratio of the aspect marker.</p> <p>You can select from [16:9], 4:3 or Variable.</p>
Aspect	<p>Sets the aspect ratio of the aspect marker when Variable is selected in Aspect Mode.</p> <p>Set to 1.00:1 to 3.00:1. [1.78]:1</p>
Line	<p>Sets the thickness of the aspect marker.</p> <p>You can select from [Thick] (thick) or Thin (thin).</p>
Color	<p>Sets the color of the aspect marker.</p> <p>You can select from [White] (white), Red (red), Green (green), Blue (blue), Yellow (yellow), Cyan (cyan) or Magenta (magenta).</p>



Menu	Function and operation ([]: factory setting)	
Marker Setting	Bright	Sets the luminance of the aspect marker. You can select from [90IRE] (bright) or 40IRE (dark).
	Area Marker 1	Sets the area marker 1.
	Area Marker 1	Sets whether or not to display the area marker 1 when the MARKER button is pressed (Off or [On])*. * Area Marker 2: ([Off] , On)
	Aspect Mode	Sets the aspect ratio of the area marker 1. You can select from [16:9] , 4:3 or Variable . Note When Variable (dot) is selected in Area Size, the size of the area marker 1 is set in pixel unit of the input signal and the Aspect Mode setting becomes invalid.
	Aspect	Sets the aspect ratio of the area marker 1 when Variable is selected in Aspect Mode. Set to 1.00:1 to 3.00:1 . [1.78]:1
	Area Size	Sets the size of the area marker 1. You can select from [80%] , 88% , 90% , 93% , Variable (%) or Variable (dot) .
	Width	Sets the width of the area marker 1 when Area Size is set to Variable (%) or Variable (dot). When Variable (%) is selected Set to 050 to 100 (%) . [080] When Variable (dot) is selected Set to 0360 to 1920 (dot) . [0512]
	Height	Sets the height of the area marker 1 when Area Size is set to Variable (%) or Variable (dot). When Variable (%) is selected Set to 050 to 100 (%) . [080] When Variable (dot) is selected Set to 0240 to 1080 (dot) . [0384]
	Mode	Sets the shape of the area marker 1. You can select from [Shape A] , Shape B or Shape C . Shape A  Shape B  Shape C  Note The size of the area is as follows depending on the Aspect Mode and 16:9 On/Off setting.



Menu		Function and operation ([]: factory setting)
Marker Setting		<p>Example: Area Size 80%, Aspect Mode 16:9 or 4:3</p> <p>With 16:9</p> <div style="display: flex; align-items: center; margin-bottom: 10px;">  <div style="margin-left: 20px;">Aspect Mode 16:9</div> </div> <div style="display: flex; align-items: center;">  <div style="margin-left: 20px;">Aspect Mode 4:3</div> </div> <p>With 4:3</p> <div style="display: flex; align-items: center; margin-bottom: 10px;">  <div style="margin-left: 20px;">Aspect Mode 16:9</div> </div> <div style="display: flex; align-items: center;">  <div style="margin-left: 20px;">Aspect Mode 4:3</div> </div>
	Line	Sets the thickness of the area marker 1. You can select from [Thick] (thick) or Thin (thin).
	Color	Sets the color of the area marker 1. You can select from [White] (white), Red (red), Green (green), Blue (blue), Yellow (yellow), Cyan (cyan) or Magenta (magenta).
	Bright	Sets the luminance of the area marker 1. You can select from [90IRE] (bright) or 40IRE (dark).
	Area Marker 2	Sets the area marker 2. The set items are the same as for Area Marker 1 (page 60).
	Center Marker	Sets the center marker.
	Center Marker	Sets whether or not to display the center marker ([Off] or On).
	Mode	Sets the display mode of the center marker. You can select from [Short] (short) or Long (long).
	Color	Sets the color of the center marker. You can select from [White] (white), Red (red), Green (green), Blue (blue), Yellow (yellow), Cyan (cyan) or Magenta (magenta).
	Bright	Sets the luminance of the center marker. You can select from [90IRE] (bright) or 40IRE (dark).
H Position	Sets the horizontal position of the marker. Set to -65 (leftward) to +65 (rightward). [00]	
V Position	Sets the vertical position of the marker. Set to -35 (downward) to +35 (upward). [00]	
Copy From	Copies the other marker preset data.	
Preset Value	Copies other data in this monitor. When the item is selected, you can select from Marker1 , Marker2 , Marker3 , Marker4 or Marker5 .	

Menu		Function and operation ([]: factory setting)
Marker Setting	Other Monitor	Copies data from another monitor.
	Monitor ID	Enter the ID number of the source monitor. When the NETWORK switch is set to PEER TO PEER, this is not selectable. When the ID number is entered, you can select from Marker1 , Marker2 , Marker3 , Marker4 or Marker5 .
	Memory Stick	Copies data in the "Memory Stick". When the item is selected, the file names in the source "Memory Stick" are displayed. When the file is selected, you can select from Marker1 , Marker2 , Marker3 , Marker4 or Marker5 .
P&P Setting		Sets the multi display setting.
Side by Side	Line Display	Sets display mode of the boundary line. [Off] : Not displayed. On : Always displayed.
	Line Color	Sets the boundary line color of two pictures. You can select from [White] (white), Red (red), Green (green), Blue (blue), Yellow (yellow), Cyan (cyan), Magenta (magenta) or Black (black).
	Line Bright	Sets the luminance of the boundary line. You can select from [90IRE] (bright) or 40IRE (dark).
Pixel Zoom Setting		Sets the pixel zoom.
	Line Color	Sets the boundary line color. You can select from [White] (white), Red (red), Green (green), Blue (blue), Yellow (yellow), Cyan (cyan), Magenta (magenta) or Black (black).
Black Detail Setting		Sets the black detail mode.
	Clip Indicator	Sets whether or not to display a zebra pattern in the clipped portions with high color gradation on the black detail mode display (Off or [On]).
	Zebra Pattern	Sets the zebra pattern displayed in the clipped portions.
	Line	Sets the direction of the pattern. [Diagonal Type1] : Right descending Diagonal Type2 : Left descending
	Modulation	Sets the amplitude of the pattern display. Set to 1 to 50. [16]
Capture		Captures the still picture for the standard of the color evaluation.
	Load	Loads the captured picture from the "Memory Stick". When the item is selected, you can select the file name to be loaded.
	Rename	Changes a file name of the captured picture in the "Memory Stick". When the item is selected, the file names are displayed. When the file name is selected, you can change the file name (1 to 20 characters). Existing file name : Enter the existing file name. New Name : Enter a new file name. Note The "." must not be used as the first character.
	Delete	Deletes the file of the captured picture in the "Memory Stick". When the item is selected, the file names in the "Memory Stick" are displayed. When the file name is selected, the following message appears. Delete this file? OK : To delete the data, press the ENTER (Ent) button. Cancel : To cancel, press the MENU button.



Menu	Function and operation ([]: factory setting)
Internal Signal	<p>Selects the internal signal display.</p> <p>You can select from PLUGE, Gray (20% gray signal), White (100% white signal), 5 step (5 step gray scale signal), Ramp, Color Bars or Black (0% black signal).</p> <p>To cancel the internal signal, select one from the channel numbers 1 to 30 with the numeric buttons of the controller.</p> <p>Note</p> <p>Internal Signal is not set in the following cases:</p> <ul style="list-style-type: none"> • When the DVI Computer format signal, or HDMI computer signal is input • When Side by Side is set to On
Function Switch	Sets the function to be assigned to the function button of the controller in the menu.
Scan Mode	<p>Sets the scan size of the picture.</p> <p>[Normal Scan]: Normal scan Under Scan: 3% under scan Over Scan: Mask of 5% over scan portion in the normal scan</p> <p>Note</p> <p>The scan size is not selectable in the following cases:</p> <ul style="list-style-type: none"> • When Native Scan is set to On • When the input signal has no sync signal • When the internal signal is displayed • When Side by Side is set to On
Native Scan	<p>Sets whether or not to display the native scan ([Off] or On).</p> <p>Note</p> <p>The native scan is not selectable in the following cases:</p> <ul style="list-style-type: none"> • When the input signal has no sync signal • When Side by Side is set to On • When Pixel Zoom is set to on • When Format of the Input Configuration menu is set to DVI Computer (The native scan is displayed regardless of the setting.) • When the HDMI computer signal is input (The native scan is displayed regardless of the setting.) • When the signal system is the SD signal of 720 × 576 or 1440 × 576, Native Scan Mode is set to Aspect Correction or x2 and the internal signal is displayed (Native Scan is set to Off and the normal scan is displayed regardless of the setting.)
16:9	<p>Sets whether or not to display the aspect in 16:9 (Off or On).</p> <p>Notes</p> <ul style="list-style-type: none"> • The aspect ratio is not selectable in the following cases: <ul style="list-style-type: none"> – When Native Scan Mode is set to x1 or x2 and Native Scan is set to On – When the input signal has no sync signal • The aspect ratio may be fixed due to the signal format. For details, see “Available Signal Formats” on page 103.
H Delay	<p>Sets whether or not to display in H delay ([Off] or On).</p> <p>When the 720/24, 25, 30P signal is input, the display position is changed with the PHASE knob.</p> <p>Note</p> <p>The picture is not displayed in H delay in the following cases:</p> <ul style="list-style-type: none"> • When the input signal has no sync signal • When the internal signal is displayed • When Format of the Input Configuration menu is set to DVI Video, DVI Computer or HDMI • When Side by Side is set to On • When the captured frame is displayed
V Delay	<p>Sets whether or not to display in V delay ([Off] or On).</p> <p>Note</p> <p>The picture is not displayed in V delay in the following cases:</p> <ul style="list-style-type: none"> • When the input signal has no sync signal • When the internal signal is displayed • When Format of the Input Configuration menu is set to DVI Video, DVI Computer or HDMI • When Side by Side is set to On • When the captured frame is displayed

Menu	Function and operation ([]: factory setting)	
Function Switch	External Sync	<p>Sets whether or not to select external sync mode ([Off] or On) when the analog component signal or analog RGB signal format is input.</p> <p>When On is selected, the signal to be displayed is synchronized with the sync signal input to the SYNC connector (External Sync).</p> <p>When Off is selected, the signal to be displayed is synchronized with the sync signal included in the signals being monitored (Internal Sync).</p> <p>Notes</p> <ul style="list-style-type: none"> When Component is set to YPbPr or RGB in Format of the Input Configuration menu, you can set the external sync. The external sync is not set in the following cases: <ul style="list-style-type: none"> When the internal signal is displayed When the captured frame is displayed
	Comb	<p>Sets whether or not to use the comb filter (Off or [On]).</p> <p>When Off is selected, the trap - band-pass filter (Trap/BPF) is selected.</p> <p>You can select the type of comb filter in NTSC Comb Filter menu (page 58) of the Display Setting menu.</p> <p>Notes</p> <ul style="list-style-type: none"> When Composite is set to Auto, NTSC, PAL or PAL-M in Format of the Input Configuration menu, you can set the comb filter. The comb filter is not set in the following cases: <ul style="list-style-type: none"> When the internal signal is displayed When the captured frame is displayed
	Aperture	<p>Sets whether or not to function the aperture modification (Off or On).</p> <p>[Off] (when the signal is displayed in Aspect Correction mode of the native display), [On] (when the signal is displayed in mode other than Aspect Correction of the native display)</p> <p>Note</p> <p>When Format of the Input Configuration menu is set to DVI Computer or the HDMI computer signal is input, the aperture modification does not function.</p>
	Mono	Sets whether or not to display in monochrome mode ([Off] or On).
	Blue Only	Sets whether or not to display only the blue signal as a monochrome picture after cutting the red and green signals ([Off] or On).
	R Off	Sets whether or not to cut the red signal ([Off] or On).
	G Off	Sets whether or not to cut the green signal ([Off] or On).
	B Off	Sets whether or not to cut the blue signal ([Off] or On).
	Chroma Up	<p>Sets whether or not to increase the chroma value by 12 dB ([Off] or On).</p> <p>Note</p> <p>The chroma value is not increased in the following cases:</p> <ul style="list-style-type: none"> When the signal to be displayed is RGB When the composite signal is automatically displayed in monochrome depending on the color discrimination of the input adaptor When the internal signal is displayed
	Black Frame Insertion	<p>Sets whether or not to display in black frame insertion mode ([Off] or On).</p> <p>Note</p> <p>The black frame is not inserted in the following cases:</p> <ul style="list-style-type: none"> When Interlace is set to On When the 24P or 24PsF input signal is displayed When Format of the Input Configuration menu is set to DVI Computer When the HDMI computer signal is input <p><i>For details of this menu, see "Selecting Display Mode" on page 83.</i></p>
Interlace	<p>Sets whether or not to display in interlace mode ([Off] or On).</p> <p>Notes</p> <ul style="list-style-type: none"> Set Native Scan to On for the interlace display. The picture is not displayed in interlace mode in the following cases: <ul style="list-style-type: none"> When Side by Side is set to On When Pixel Zoom is set to on <p><i>For details of this menu, see "Selecting Display Mode" on page 83.</i></p>	



Menu	Function and operation ([]: factory setting)
Function Switch	Marker Sets whether or not to display all markers ([Off] or On). Note The marker is not displayed in the following cases: <ul style="list-style-type: none"> • When the input signal has no sync signal • When the internal signal is displayed • When Format of the Input Configuration menu is set to DVI Computer • When the HDMI computer signal is input • When H Delay/V Delay is set to On • When Side by Side is set to On • When Pixel Zoom is set to on
	Aspect Marker Sets whether or not to display the aspect marker ([Off] or On). Note The aspect marker is not displayed in the following cases: <ul style="list-style-type: none"> • When the input signal has no sync signal • When the internal signal is displayed • When Format of the Input Configuration menu is set to DVI Computer • When the HDMI computer signal is input • When H Delay/V Delay is set to On • When Side by Side is set to On • When Pixel Zoom is set to on
	Area Marker 1 Sets whether or not to display the area marker 1 ([Off] or On). Note The area marker 1 is not displayed in the following cases: <ul style="list-style-type: none"> • When the input signal has no sync signal • When the internal signal is displayed • When Format of the Input Configuration menu is set to DVI Computer • When the HDMI computer signal is input • When H Delay/V Delay is set to On • When Side by Side is set to On • When Pixel Zoom is set to on
	Area Marker 2 Sets whether or not to display the area marker 2 ([Off] or On). Note The area marker 2 is not displayed in the following cases: <ul style="list-style-type: none"> • When the input signal has no sync signal • When the internal signal is displayed • When Format of the Input Configuration menu is set to DVI Computer • When the HDMI computer signal is input • When H Delay/V Delay is set to On • When Side by Side is set to On • When Pixel Zoom is set to on
	Side by Side Sets whether or not to display in the side by side display ([Off] or On). Note The side by side display is not set in the following cases: <ul style="list-style-type: none"> • When the internal signal is displayed • When Pixel Zoom is set to on
	Black Detail Mode Sets whether or not to display the signal in black detail mode ([Off] or On). Notes <ul style="list-style-type: none"> • The black detail mode is not set in the following cases: <ul style="list-style-type: none"> – When Interlace is set to On – When Black Frame Insertion is set to On – When H Delay/V Delay is set to On • Use the controller with software version 1.3 or higher to assign this function to the function button of the controller.
	Audio Level Meter Sets whether or not to display the audio level meter ([Off] or On). Notes <ul style="list-style-type: none"> • When the option slot number in which the BKM-250TG is installed is not selected in Slot No of the Input Configuration menu, the audio level meter cannot be displayed. • Use the controller with software version 1.4 or higher to assign this function to the function button of the controller.

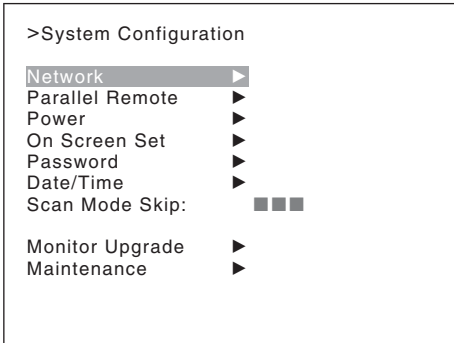


Menu	Function and operation ([]: factory setting)
Function Switch ALM Hold Reset	When the item is selected, the peak hold of the audio level meter is canceled. Notes <ul style="list-style-type: none">• The ALM Hold Reset is not selected in the following cases:<ul style="list-style-type: none">– When the option slot number in which the BKM-250TG is installed is not selected in Slot No of the Input Configuration menu– When Audio Level Meter is set to Off– When Peak Hold is set to Off or Auto in the Audio Level Meter menu of the On Screen Set menu of the System Configuration menu• Use the controller with software version 1.4 or higher to assign this function to the function button of the controller.
Time Code	Sets whether or not to display the time code ([Off] or On). Notes <ul style="list-style-type: none">• When the option slot number in which the BKM-250TG is installed is not selected in Slot No of the Input Configuration menu, the time code cannot be displayed.• Use the controller with software version 1.4 or higher to assign this function to the function button of the controller.
Checkerboard	Sets whether or not to display the left and right 3D video signals in a checkerboard pattern ([Off] or On). Notes <ul style="list-style-type: none">• The Checkerboard display cannot be set in the following cases:<ul style="list-style-type: none">– When the option slot number in which the BKM-250TG (with serial number 7100001 or higher) is installed is not selected in Slot No of the Input Configuration menu.– When the dual-link display is used– When the internal signal is displayed– When the captured frame is displayed• Use the controller with software version 1.5 or higher to assign this function to the function button of the controller.
L/R Switch	Sets whether or not to display either the left and right 3D video signals on the screen by switching them alternately ([Off] or On). Notes <ul style="list-style-type: none">• The L/R Switch display cannot be set in the following cases:<ul style="list-style-type: none">– When the option slot number in which the BKM-250TG (with serial number 7100001 or higher) is installed is not selected in Slot No of the Input Configuration menu.– When the dual-link display is used– When the internal signal is displayed– When the captured frame is displayed• Use the controller with software version 1.5 or higher to assign this function to the function button of the controller.

System Configuration Menu

Overview

This menu is used to set the system such as the network, parallel remote control function, etc. When System Configuration is selected, the following menu is displayed.



Menu Function and Operation

Menu	Function and operation ([]: factory setting)
Network	Sets the remote control function of the network.
Monitor ID	Enter a monitor ID number. Set to 01 to 99 . [01]
Group ID	Enter a group ID number. Set to 01 to 99 . [01]
Network Setting	Sets the IP address, subnet mask and default gateway. For the setting value, consult the network administrator.
IP Address	Sets the IP address. [192.168.000.001] Note When the NETWORK switch is set to PEER TO PEER, the IP address is set to "192.168.0.1" regardless of the display. When the NETWORK switch is set to LAN, the IP address is set to the displayed one.
Subnet Mask	Sets the subnet mask. [255.255.255.000] Note When the NETWORK switch is set to PEER TO PEER, the subnet mask is set to "255.255.255.000" regardless of the display. When the NETWORK switch is set to LAN, the subnet mask is set to the displayed one.
Default Gateway	Sets whether or not to set the default gateway ([Off] or On).
Address	Sets the address of the default gateway. [---.---.---.--- (no setting)]
Cancel	Cancels the changed or confirmed setting.
Confirm	Saves the changed or confirmed setting.
SNMP Setting	Sets SNMP. For the setting value, consult the network administrator.
Contact	Sets the information of the administrator. When the item is selected, you can enter a new name. New Name: Enter a new name (up to 20 characters).

Menu		Function and operation ([]: factory setting)
Network	Name	Sets the information for the administration (device ID). When the item is selected, you can enter a new name. New Name: Enter a new name (up to 20 characters).
	Location	Sets the location information. When the item is selected, you can enter a new name. New Name: Enter a new name (up to 20 characters).
	Trap	Sets the address to send the information.
	Mode	Sets the settings to send information manually or automatically ([Manual] or Auto).
	Trap Address Setting	Sets the IP address to send the information. [000.000.000.000] When Mode is set to Manual, you can select this item. When the item is selected, you can set the IP address of Trap1 to Trap4 . Cancel: Cancels the changed or confirmed setting. Confirm: Saves the changed or confirmed setting.
	Trap Address Status	Displays the IP address to send the information. When Mode is set to Auto, you can select this item. When the item is selected, the IP address of Trap1 to Trap4 is displayed.
	Reset Mode/Address	Resets the settings to send information manually or automatically and the IP address to the factory setting. When the item is selected, the following message appears. Are you sure? OK: To reset the data, press the ENTER (Ent) button. Cancel: To cancel, press the MENU button.
	Authentication	Sets whether or not to issue the authentication ([Disable] or Enable).
	Community	Sets the community name. When the item is selected, you can enter the community name (up to 20 characters). public: Initially, public is entered automatically. Enter any character after it. New Name: Enter a community name.
	Protocol Setting	Sets the required items for communications such as the port number. For the setting value, consult the network administrator.
	SDCP/SDAP Community	Sets the SDCP/SDAP community name. When the item is selected, you can enter the community name (four characters). SONY: SONY is entered as a community name. New Name: Enter a new name.
SDCP Port No	Sets the SDCP port number. Set to 53434 to 53534 . [53484]	
SDAP Port No	Sets the SDAP port number. Set to 53812 to 53912 . [53862]	
SDAP Broadcast	Sets whether or not to issue the SDAP (Disable or Enable).	
SDAP Broadcast Period	Sets the period (seconds) to issue the SDAP. Set to 05 to 30 . [15]	
Acceptable IP Address	Sets the IP address to connect. When the item is selected, you can set IP1 to IP4 . Cancel: Cancels the changed or confirmed setting. Confirm: Saves the changed or confirmed setting.	
Reset Protocol Setting	Resets the protocol setting. When the item is selected, the following message appears. Are you sure? OK: To reset data, press the ENTER (Ent) button. Cancel: To cancel, press the MENU button.	
Parallel Remote	Sets the parallel remote function.	
Parallel Remote	Selects whether or not to use the parallel remote functions. ([Off] or On)	

Menu	Function and operation ([]: factory setting)
<p style="writing-mode: vertical-rl; transform: rotate(180deg);">Parallel Remote</p> <p>1 Pin to 8 Pin</p>	<p>Assigns the function to each pin of the PARALLEL REMOTE connector when Parallel Remote is set to On.</p> <ul style="list-style-type: none"> 1 Pin: [CH01] 2 Pin: [CH02] 3 Pin: [External Sync] 4 Pin: [Mono] 5 Pin: [Marker] 6 Pin: [unused] 7 Pin: [unused] 8 Pin: [Tally] <p>You can change the assignment to the following functions for pins 1 to 8.</p> <p>Parallel Remote (1/4)</p> <ul style="list-style-type: none"> CH01 to 30: Selects a channel number. Enter the desired channel number with the numeric buttons. ----: Unused Under Scan: The under scan function. When it is set to off, the scan mode is set to Normal Scan. Over Scan: The over scan function. When it is set to off, the scan mode is set to Normal Scan. Native Scan: The native scan function 16:9: The 16:9 aspect ratio function. <p>When it is set to off, the aspect ratio is set to 4:3. The aspect ratio may be fixed to 16:9 due to the signal format.</p> <p><i>For details, see "Available Signal Formats" on page 103.</i></p> <ul style="list-style-type: none"> H Delay: The horizontal sync display function V Delay: The vertical sync display function External Sync: The synchronization function to external sync signals Comb: The comb filter function. When it is set to off, the trap · band-pass filter (Trap/BPF) is selected. <p>You can select the type of comb filter in NTSC Comb Filter menu (page 58) of the Display Setting menu.</p> <p>Parallel Remote (2/4)</p> <ul style="list-style-type: none"> Aperture: The aperture modification function Mono: The monochrome display function Blue Only: The function by which red and green signals are cut and only the blue signal is displayed as a monochrome picture R Off: The cutting function of red signals G Off: The cutting function of green signals B Off: The cutting function of blue signals Chroma Up: 12 dB up function of the chroma setting value Black Frame Insertion: The display function in black frame insertion mode Interlace: The display function in interlace mode Tally: The function to turn on the tally lamp <p>Parallel Remote (3/4)</p> <ul style="list-style-type: none"> Marker: The display function of all markers Aspect Marker: The display function of the aspect marker Area Marker 1: The display function of the area marker 1 Area Marker 2: The display function of the area marker 2 Side by Side: The side by side function Power Off: The monitor power function <p>Parallel Remote (4/4)</p> <ul style="list-style-type: none"> Black Detail Mode: The display function in black detail mode Audio Level Meter: The display function of the audio level meter ALM Hold Reset: The function to cancel the peak hold of the audio level meter Time Code: The display function of the time code Checkerboard: The display function for the left and right 3D video signals in a checkerboard pattern L/R Switch: The display function for the left and right 3D video signals by switching alternately <p><i>For the pin assignment, see "PARALLEL REMOTE connector" in Location and Function of Parts on page 20.</i></p>

Menu	Function and operation ([]: factory setting)
Power	Sets the status of the monitor when the main power is turned on or the power is turned on by remote operation.
Standby Mode	Sets the status when the ON/OFF (power) switch is turned on. [Off]: Operation mode On: Standby mode
Power On Status	Sets the input channel when the power is turned on. [Last]: Sets to the channel that was selected at the time the power was last turned off. CH: Sets to the channel number specified in Default CH.
Default CH	Selects the channel (01 to 30) when the Power On Status is set to CH. [01]
On Screen Set	Sets the items for the screen display.
Input Information	Sets the display of the input information.
Format	Sets the display mode of the signal system. [Auto]: Disappears after being displayed for a while. On: Always displayed. Off: Not displayed. Note The picture rate display is 23.98, 29.97 or 59.94 (example 1080/59.94P) when the signal is input from the BKM-250TG, Format is set to 3G/HD/SD-SDI Auto (page 52) in the Input Configuration menu, and the Picture Rate information for the Payload ID is 23.98 Hz, 29.97 Hz or 59.94 Hz, even if the monitor determines the picture rate as 24 Hz, 30 Hz or 60 Hz. <i>For details on Payload ID, see "SDI Payload ID Status" (page 77) of the Status menu.</i>
Position	Sets the display position for the signal system. You can select from Top Left (top left), Top Center (top center), Top Right (top right), [Bottom Left] (bottom left), Bottom Center (bottom center) or Bottom Right (bottom right).
CH No	Sets the display mode of the channel number. [Auto]: Disappears after being displayed for a while. On: Always displayed. Off: Not displayed.
Position	Sets the display position for the channel number. You can select from Top Left (top left), Top Center (top center), [Top Right] (top right), Bottom Left (bottom left), Bottom Center (bottom center) or Bottom Right (bottom right).
CH Name	Sets the display mode of the channel name. [Auto]: Disappears after being displayed for a while. On: Always displayed. Off: Not displayed.
Position	Sets the display position for the channel name. You can select from [Top Left] (top left), Top Center (top center), Top Right (top right), Bottom Left (bottom left), Bottom Center (bottom center) or Bottom Right (bottom right).
Scan Mode	Sets the display mode of the scan mode. [Auto]: Disappears after being displayed for a while. On: Always displayed. Off: Not displayed.
Position	Sets the display position for the scan mode. You can select from Top Left (top left), Top Center (top center), Top Right (top right), Bottom Left (bottom left), Bottom Center (bottom center) or [Bottom Right] (bottom right).
Closed Caption	Sets the items for the closed caption display. When the BKM-244CC is installed, you can select the item. The setting is effective for the input signal of the BKM-244CC.
Closed Caption	Sets whether or not to display closed caption signal ([Off] or On).

Menu		Function and operation ([]: factory setting)
On Screen Set	Type	Sets the closed caption type. [Auto1]: Select to set to 608(VBI) when the SD-SDI signal is input or 708 when the HD-SDI signal is input. Auto2: Select to set to 608(VBI) when the SD-SDI signal is input or 608(708) when the HD-SDI signal is input. 708: Select to display the closed caption signal of the EIA/CEA-708 standards. 608 (708): Select to display the closed caption signal of the EIA/CEA-608 standards transmitted by EIA/CEA-708 standards. 608 (ANC): Select to display the closed caption signal of the EIA/CEA-608 standards transmitted as the ancillary data 608 (VBI): Select to display the closed caption signal of the EIA/CEA-608 standards transmitted by using the line 21.
	Service 708	Sets Service when Type is set to 708. You can select from Service1 to Service6 . [Service1]
	Service 608	Sets Service when Type is set to 608 (VBI), 608 (ANC) or 608 (708). You can select from CC1 to CC4 or Text1 to Text4 . [CC1]
	OSD Level	Sets the luminance of the letter. You can select from [100IRE] (bright), 50IRE or 30IRE (dark).
	Audio Level Meter	Sets the audio level meter. When the BKM-250TG is installed, you can select the item. The setting is effective for the input signal of the BKM-250TG. Note As the audio level meter is superimposed on the video signal, the audio level meter may be cut partially because of the scan mode setting of the monitor.
	Audio CH	Sets the audio channel. You can select from [CH1-CH8] or CH9-CH16 .
	Position	Sets the display position of the audio level meter. You can select from [Bottom] (bottom) or Top (top).
	Transparency	Sets the transparency of the background of the audio level meter. You can select from [Black] (black) or Half (translucence).
	Peak Hold	Sets the peak hold mode of the audio level meter. [Off]: The peak hold does not function. Auto: The peak hold is automatically released after about 1 second. Manual Reset: The peak hold is released manually. To release the peak hold, select ALM Hold Reset (page 66) in the Function Switch menu of the Display Function menu or set ALM Hold Reset to on by pressing the ALM Hold Reset button* of the controller. * ALM Hold Reset is assigned to the controller in the Function Key menu (page 79) of the Controller menu.
	Time Code	Sets the time code. When the BKM-250TG is installed, you can select the item. The setting is effective for the input signal of the BKM-250TG. Note As the time code is superimposed on the video signal, the time code may be cut partially because of the scan mode setting of the monitor.
VITC/LTC	Sets the type of the time code. You can select from [VITC] or LTC .	
Position	Sets the display position of the time code. You can select from Top Left (top left), [Top Center] (top center), Top Right (top right), Bottom Left (bottom left), Bottom Center (bottom center) or Bottom Right (bottom right).	
Password	Sets the password for the menu. Enter a four-digit number for the password. [9999]	
Change Password	Changes the password. Enter New Password: Enter a new password with the numeric buttons and press the ENTER (Ent) button. Re-Enter Password: Enter the new password again and press the ENTER (Ent) button. The password is registered. To change it, press the MENU button.	

Menu	Function and operation ([]: factory setting)	
Password	Apply Password	Sets whether or not to apply the password to each menu (Yes or [No]).
	Adjustment	Yes: Apply the password. [No]: Not apply the password.
	Input Configuration	Yes: Apply the password. [No]: Not apply the password.
	Display Setting	Yes: Apply the password. [No]: Not apply the password.
	Display Function	Yes: Apply the password. [No]: Not apply the password.
	System Configuration	Yes: Apply the password. [No]: Not apply the password.
	Individual Item	Sets whether or not to apply the password to the System Configuration menu.
	Network	Yes: Apply the password. [No]: Not apply the password.
	Parallel Remote	Yes: Apply the password. [No]: Not apply the password.
	Power	Yes: Apply the password. [No]: Not apply the password.
	On Screen Set	Yes: Apply the password. [No]: Not apply the password.
	Date/Time	Yes: Apply the password. [No]: Not apply the password.
	Scan Mode Skip	Yes: Apply the password. [No]: Not apply the password.
	File Management	Yes: Apply the password. [No]: Not apply the password.
Controller	Yes: Apply the password. [No]: Not apply the password.	
Key Protect	Yes: Apply the password. [No]: Not apply the password.	
Date/Time	When the item is selected, you can set or change the date and time.	
Year	Sets the year.	
Month	Sets the month.	
Day	Sets the day.	
Hour	Sets the hour (in 24-hour display).	
Minute	Sets the minute.	
Cancel	Cancels the setting.	
Confirm	Executes the setting. Second is set to 0.	
Scan Mode Skip	Sets the scan mode to be skipped when the SCAN button is pressed in the single mode connection. [None]: No scan is skipped. Under Scan: The under scan is skipped. Over Scan: The over scan is skipped.	
Monitor Upgrade	Upgrades the monitor. When the item is selected, the screen for inputting the password is displayed. After the 4-digit password is entered, the current versions of Software Version, Kernel Version, FPGA1 Version, FPGA2 Version, and FPGA Core Version are displayed. <i>For the password, see Password (page 71) of the System Configuration menu.</i> <i>For details on upgrading the monitor, see "Upgrading the Monitor and Controller" on page 94.</i>	
Software Upgrade	Upgrades the software for the monitor.	
Kernel Upgrade	Upgrades the kernel of the monitor.	

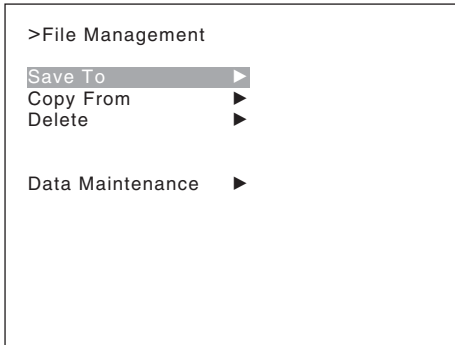
Menu		Function and operation ([]: factory setting)
Monitor Upgrade	FPGA Upgrade	Upgrades the FPGA data of the monitor.
	Maintenance	The menu for the Sony service representative is displayed.



File Management Menu

Overview

The system data is saved, copied and deleted.
When File Management is selected, the following menu is displayed.



Menu Function and Operation

Menu	Function and operation ([]: factory setting)
Save To	Saves the data in the “Memory Stick”. Note Use the “Memory Stick” after formatting.
Memory Stick	Saves the data in the “Memory Stick”. When the item is selected, you can select the file to save data, or create a new file name. New Name: Enter a new name of the new file (1 to 20 characters). Existed file name: Select the file to save data. The following message appears. Overwrite this file? OK: To overwrite the data, press the ENTER (Ent) button. Cancel: To cancel, press the ENTER (Ent) button. Note When a new name is entered, the “.” must not be used as the first character.
Copy From	Copies the data.
Other Monitor	Selects the data of other monitor.
Monitor ID	Enter the ID number of the source monitor. When the NETWORK switch is set to PEER TO PEER, this is not selectable. When the ID number is entered, you can select the data to be copied. All: Copies all data. Picture Preset: Copies the picture preset data. Color Temp: Copies the color temperature data. CH Memory: Copies the channel memory data. Matrix/Gamma: Copies the user data of Matrix/Gamma (transmission matrix and transmission gamma). Marker: Copies the preset data of the marker. System: Copies the system data.

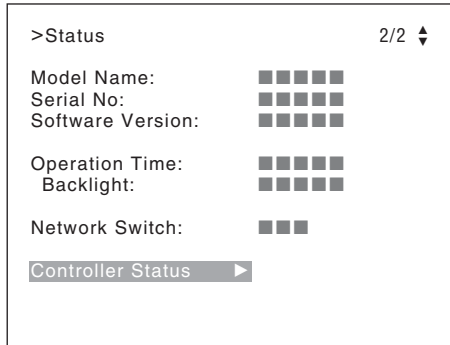
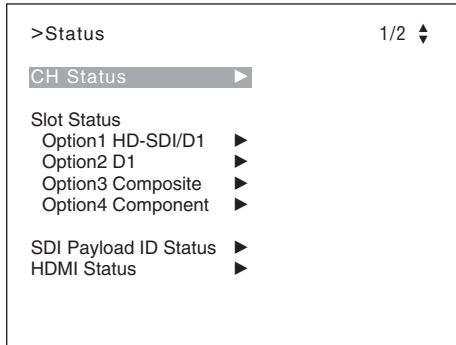


Menu		Function and operation ([]: factory setting)
Copy From	Memory Stick	<p>Selects the data in the source “Memory Stick”.</p> <p>When the item is selected, the file names in the “Memory Stick” are displayed.</p> <p>When the item is selected, you can select the data to be copied.</p> <p>All: Copies all data.</p> <p>Picture Preset: Copies the picture preset data.</p> <p>Color Temp: Copies the color temperature data.</p> <p>CH Memory: Copies the channel memory data.</p> <p>Matrix/Gamma: Copies the user data of Matrix/Gamma (transmission matrix and transmission gamma).</p> <p>Marker: Copies the preset data of the marker.</p> <p>System: Copies the system data.</p>
	Delete	Deletes the file in the “Memory Stick”.
	Memory Stick	<p>Deletes the file in the “Memory Stick”.</p> <p>When the item is selected, the file names in the “Memory Stick” are displayed.</p> <p>When the file is selected, the following message appears.</p> <p>Delete this file?</p> <p>OK: To delete the data, press the ENTER (Ent) button.</p> <p>Cancel: To cancel, press the MENU button.</p>
Data Maintenance		Does maintenance of the system data.
	Back Up System Data	<p>Writes the data to the “Memory Stick” as the backup data.</p> <p>The “In progress ■” is displayed and “■” flashes during data writing. (It may take some time to write the data.)</p>
	Restore System Data	<p>Reads the data from the “Memory Stick”.</p> <p>When the item is selected, the following message appears.</p> <p>All data will be restored and monitor will restart</p> <p>Are you sure?</p> <p>OK: To continue, press the ENTER (Ent) button.</p> <p>Reads the data from the “Memory Stick” and automatically restarts the monitor.</p> <p>Cancel: To cancel, press the MENU button.</p> <p>Returns to the Data Maintenance menu.</p>

Status Menu

Overview

This menu is used to view general data about the monitor status, current channel, etc. When Status is selected, the following menus are displayed.



Menu Function and Operation

Menu	Function and operation ([]: factory setting)
CH Status	<p>Displays the information on the used channels. The information of the internal signal assigned to the channel number is displayed on the channels 91 to 97.</p> <p>CH: Channel number Op: Option slot number In: Input connector number Format: Input signal format Name: Channel name</p> <p><i>For details on the assigned signal, see "Channel numbers 91 to 97 assignment" on page 37.</i></p>
Slot Status Option1 to Option4	<p>Displays the type of input adaptor installed in Option1 to Option4.</p> <p>D1: When BKM-220D is installed Composite: When BKM-227W is installed Component: When BKM-229X is installed HD-SDI/D1: When BKM-243HS or BKM-244CC is installed 3G-SDI: When BKM-250TG is installed Empty: When the adaptor is not installed Unknown: When non-supported adaptor is installed</p> <p>When the item is selected, the model name and serial number of the installed input adaptor are displayed.</p> <p>Model Name: Model name Serial No: Serial number</p>

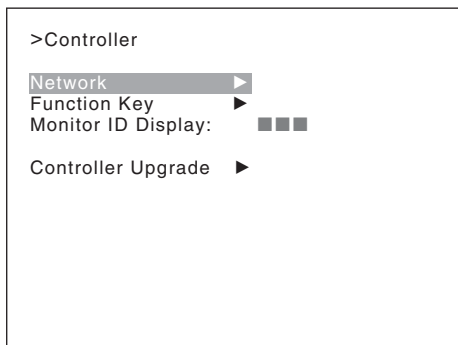


Menu	Function and operation ([]: factory setting)
SDI Payload ID Status	<p>Displays the information of the Payload ID data superimposed on the SDI signal and current signal status of the monitor.</p> <p>When the option slot number in which the BKM-250TG is installed is selected in Slot No of the Input Configuration menu, the following is displayed.</p> <p>Option1/Input1: Option slot and input connector of the displayed information</p> <p>Payload ID XX XX XX XX: Displays the 4-byte data for Payload ID of the SMPTE-352M standard in hexadecimal in sequence of Byte 1, Byte 2, Byte 3 and Byte 4. When the Payload ID information is not set, only Current Status is displayed and “---” is displayed for other items. When the following information is not decoded, Unknown is displayed.</p> <p>Video Standard: Decode display of Byte 1_Bit 6-0 (SD-SDI/HD-SDI/3G-SDI/Dual Link HD-SDI, etc.)</p> <p>Sampling Structure: Decode display of Byte 3_Bit 3-0 (4:2:2 Y/Cb/Cr / 4:4:4 Y/Cb/Cr / 4:4:4 G/B/R, etc.)</p> <p>Bit Depth: Decode display of Byte 4_Bit 1-0 (8bit/10bit/12bit)</p> <p>Picture Rate: Decode display of Byte 2_Bit 3-0 (23.98/24/25/29.97/30/50/59.94/60)</p> <p>I/PsF/P: Decode display of Byte 2_Bit 7-6 (Interlace/PsF/Progressive)</p> <p>Link Number: Decode display of Byte 4_Bit 7-6 (Single/Link_1 / Link_2 / Link_3 / Link_4)</p> <p>Current Status: Current status of the monitor</p> <p>Format: Displayed as “Video Standard + Sampling Structure + Bit Depth” Video Standard: 3G/DL/HD/SD Sampling Structure: 422 YPbPr/444 YPbPr/ 444 RGB Bit Depth: 10/12 I/PsF/P: Interlace/PsF/Progressive</p>
HDMI Status	<p>Displays the signal information of the HDMI signal.</p> <p>Pixel Encoding: RGB 4:4:4/YCbCr 4:4:4/YCbCr 4:2:2</p> <p>Color Depth: 8bit/10bit/12bit</p> <p>Matrix/Gamma: ITU-R BT.601/ITU-R BT.709/xvYCC 601/xvYCC 709</p> <p>RGB Range: Limit/Full</p> <p>Notes</p> <ul style="list-style-type: none"> • When HDMI Auto is set to On in the Matrix/Gamma menu of the Input Configuration menu, the Matrix/Gamma status is displayed. • When HDMI Auto is set to On in the RGB Range menu of the Input Configuration menu, the RGB Range status is displayed.
Model Name	Displays the model name of the monitor.
Serial No	Displays the serial number of the monitor.
Software Version	Displays software version of the monitor.
Operation Time	Displays operation time (hours, in total) of the monitor.
Backlight	Displays brighten time (hours, in total) of the monitor backlight.
Network Switch	Displays the NETWORK switch setting.
Controller Status	Displays information on the controller.
Model Name	Displays the model name.
Serial No	Displays the serial number.
Software Version	Displays software version.
Network Switch	Displays the NETWORK switch setting.

Controller Menu

Overview

This menu is for the network setting and assigning the function to the function button of the controller. When Controller is selected, the following menu is displayed.



Menu Function and Operation

Menu	Function and operation ([]: factory setting)
Network	Sets the remote control function of the network. For the setting value, consult the network administrator.
Network Setting	Sets the IP address, subnet mask and default gateway.
IP Address	Sets the IP address. [192.168.000.100] Note When the NETWORK switch is set to PEER TO PEER, the IP address is set to "192.168.0.100" regardless of the display. When the NETWORK switch is set to LAN, the IP address is set to the displayed one.
Subnet Mask	Sets the subnet mask. [255.255.255.000] Note When the NETWORK switch is set to PEER TO PEER, the subnet mask is set to "255:255:255:000" regardless of the display. When the NETWORK switch is set to LAN, the subnet mask is set to the displayed one.
Default Gateway	Sets whether or not to set the default gateway ([Off] or On).
Address	Sets the address of the default gateway. [---.---.---.--- (no setting)]
Cancel	Cancels the changed or confirmed setting.
Confirm	Saves the changed or confirmed setting.
SNMP Setting	Sets SNMP. For the setting value, consult the network administrator.
Contact	Sets the information of the administrator. When the item is selected, you can enter a new name. New Name: Enter a new name (up to 20 characters).
Name	Sets the information for the administration (device ID). When the item is selected, you can enter a new name. New Name: Enter a new name (up to 20 characters).



Menu		Function and operation ([]: factory setting)
Network	Location	Sets the location information. When the item is selected, you can enter a new name. New Name: Enter a new name (up to 20 characters).
	Trap	Sets the address to send the information.
	Mode	Sets the settings to send information manually or automatically ([Manual] or Auto). This item cannot be selected when the monitor is controlled with BKM-15R or BVM-A14F5.
	Trap Address Setting	Sets the IP address to send the information. [000.000.000.000] When Mode is set to Manual or the monitor is controlled with BKM-15R or BVM-A14F5, you can select this item. When the item is selected, you can set the IP address of Trap1 to Trap4 . When the monitor is controlled with BKM-15R or BVM-A14F5, you can set only the IP address of Trap1 and Trap2 . Cancel: Cancels the changed or confirmed setting. Confirm: Saves the changed or confirmed setting.
	Trap Address Status	Displays the IP address to send the information. When Mode is set to Auto, you can select this item. This item cannot be selected when the monitor is controlled with BKM-15R or BVM-A14F5. When the item is selected, the IP address of Trap1 to Trap4 is displayed.
	Reset Mode/Address	Resets the settings to send information manually or automatically and the IP address to the factory setting. This item cannot be selected when the monitor is controlled with BKM-15R or BVM-A14F5. When the item is selected, the following message appears. Are you sure? OK: To reset the data, press the ENTER (Ent) button. Cancel: To cancel, press the MENU button.
	Authentication	Sets whether or not to issue the authentication ([Disable] or Enable). This item cannot be selected when the monitor is controlled with BKM-15R or BVM-A14F5.
	Community	Sets the community name. This item cannot be selected when the monitor is controlled with BKM-15R or BVM-A14F5. When the item is selected, you can enter the community name (up to 20 characters). public: Initially, public is entered automatically. Enter any character after it. New Name: Enter a community name.
	Protocol Setting	Sets the required items for communications such as the port number. This item cannot be selected when the monitor is controlled with BKM-15R or BVM-A14F5. For the setting value, consult the network administrator.
	SDCP/SDAP Community	Sets the SDCP/SDAP community name. When the item is selected, you can enter the community name (four characters). SONY: SONY is entered as a community name. New Name: Enter a new name.
	SDCP Port No	Sets the SDCP port number. Set to 53434 to 53534 . [53484]
	SDAP Port No	Sets the SDAP port number. Set to 53812 to 53912 . [53862]
	SDAP Broadcast	Sets whether or not to issue the SDAP (Disable or [Enable]).
	SDAP Broadcast Period	Sets the period (seconds) to issue the SDAP. Set to 05 to 30 . [30]
Reset Protocol Setting	Resets the protocol setting. When the item is selected, the following message appears. Are you sure? OK: To reset data, press the ENTER (Ent) button. Cancel: To cancel, press the MENU button.	
Function Key	Assigns the function to the function buttons. This item cannot be selected when the monitor is controlled with BKM-15R or BVM-A14F5.	



Menu	Function and operation ([]: factory setting)
<p data-bbox="118 165 142 308">Function Key</p> <p data-bbox="170 165 272 187">F1 to F16</p>	<p data-bbox="534 165 909 187">The following functions are assigned.</p> <p data-bbox="578 193 1104 214">Scan Mode: Changes the scan mode of the picture.</p> <p data-bbox="578 221 1133 242">Native Scan: Displays the picture in native scan mode.</p> <p data-bbox="578 248 1464 300">16:9: Changes the aspect ratio to 16:9, and when set to Off, the aspect ratio changes to 4:3.</p> <p data-bbox="578 306 1385 327">The aspect ratio of some signals is fixed to 16:9 depending on the signal format.</p> <p data-bbox="578 342 1149 363"><i>For details, see "Available Signal Systems" on page 101.</i></p> <p data-bbox="578 378 1365 400">H Delay: The picture moves horizontally and a horizontal sync signal appears.</p> <ul data-bbox="578 406 1464 485" style="list-style-type: none">• Brightness of the picture increases automatically, and it makes it easy to check the sync part.• When V DELAY button is set to on in H delay mode, a pulse cross picture is displayed. <p data-bbox="578 491 1455 542">V Delay: The picture moves vertically and a vertical sync signal appears approximately in the center of the screen.</p> <ul data-bbox="578 549 1464 627" style="list-style-type: none">• Brightness of the picture increases automatically, and it makes it easy to check the sync part.• When H DELAY button is set to on in V delay mode, a pulse cross picture is displayed. <p data-bbox="578 634 1464 757">External Sync: Sets whether or not to set to the external sync mode when the analog component signal or analog RGB signal is input. When the button is set to on, the signal to be displayed is synchronized with the sync signal input to the EXT SYNC connector (External Sync). When set to off, the signal to be displayed is synchronized with the sync signal included in the signals being monitored (Internal Sync).</p> <p data-bbox="578 772 634 793">Note</p> <p data-bbox="578 800 1435 878">When the button is set to off (Internal Sync), a sync signal is added on the Y signal to monitor the analog component signal and on the G signal to monitor the analog RGB signal.</p> <p data-bbox="578 893 941 915">Comb: The comb filter is turned on.</p> <p data-bbox="578 921 1187 942">When the button is set to off, the band-pass filter is selected.</p> <p data-bbox="578 949 1237 970">When the displayed signal is NTSC, PAL or PAL-M, this functions.</p> <p data-bbox="578 976 1464 1027">You can select the kind of the comb filter in the NTSC Comb Filter menu (page 58) of the Display Setting menu.</p> <p data-bbox="578 1034 1385 1055">Char Off: The characters on the monitor screen hide during manual adjustment.</p> <p data-bbox="578 1061 1459 1083">Color Temp: You can access directly the Manual Adjust menu of the color temperature.</p> <p data-bbox="578 1089 1464 1110">Capture Load: Displays the menu to load the captured picture from the "Memory Stick".</p> <p data-bbox="578 1117 1464 1195">Aperture: When the function is set to on, the frequency response can be modified. The degree of modification is set in the Aperture Value menu (page 58) of the Display Setting menu.</p> <p data-bbox="578 1210 1443 1261"><i>For information about the aperture modification frequency for each signal system, see "Aperture Modification Frequency" on page 109.</i></p> <p data-bbox="578 1276 1448 1355">Mono: When the button is set to on, a monochrome picture is displayed. When the button is set to off, the monitor switches automatically between color and monochrome mode, depending on the color discrimination of the input adaptor.</p> <p data-bbox="578 1361 1445 1440">Blue Only: Red and green signals are cut, and only the blue signal is displayed as a monochrome picture. It makes it easy to adjust chroma and phase, and to check VTR noise.</p> <p data-bbox="578 1447 1003 1468">R Off: R (red) signals are cut respectively.</p> <p data-bbox="578 1474 1031 1495">G Off: G (green) signals are cut respectively.</p> <p data-bbox="578 1502 1011 1523">B Off: B (blue) signals are cut respectively.</p> <p data-bbox="578 1530 1115 1551">Chroma Up: The chroma setting increases by 12 dB.</p> <p data-bbox="578 1557 1263 1578">Black Frame Insertion: Displays in the black frame insertion mode.</p> <p data-bbox="578 1585 997 1606">Interlace: Displays in the interlace mode.</p> <p data-bbox="578 1613 1208 1634">Pixel Zoom: The part of the picture is magnified up to 8 times.</p> <p data-bbox="578 1649 634 1670">Note</p> <p data-bbox="578 1676 1076 1698">When Pixel Zoom is used, set Native Scan to On.</p> <p data-bbox="578 1713 1073 1734">Marker: All markers are displayed on the screen.</p> <p data-bbox="578 1749 634 1770">Note</p> <p data-bbox="578 1776 1448 1798">When External Sync is set to On, the marker may not be shown in the correct position.</p> <p data-bbox="578 1813 1203 1834">Aspect Marker: An aspect marker is displayed on the screen.</p> <p data-bbox="578 1849 634 1870">Note</p> <p data-bbox="578 1876 1448 1898">When External Sync is set to On, the marker may not be shown in the correct position.</p>

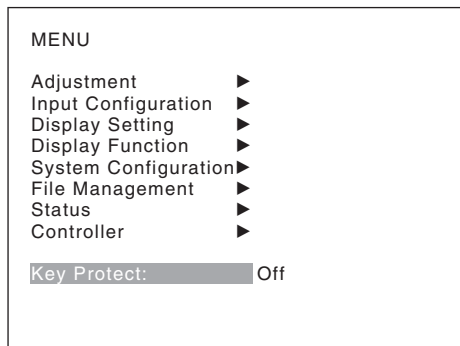


Menu		Function and operation ([]: factory setting)
Function Key		<p>Area Marker1: An area marker 1 is displayed on the screen.</p> <p>Note When External Sync is set to On, the marker may not be shown in the correct position.</p> <p>Area Marker2: An area marker 2 is displayed on the screen.</p> <p>Note When External Sync is set to On, the marker may not be shown in the correct position.</p> <p>Side by Side: The screen is displayed in the side by side display mode.</p> <p>Wipe: The screen is displayed in the wipe display mode (for BVM-L series).</p> <p>Butterfly: The screen is displayed in the butterfly display mode (for BVM-L series).</p> <p>Blending: The screen is displayed in the blending display mode (for BVM-L series).</p> <p>Error Notify Clear: Clears the notification detected in the gamut error detection (for BVM-L series).</p> <p>Degauss: The CRT is degaussed (only for BVM-A series).</p> <p>Black Detail Mode: The signal is displayed in black detail mode.</p> <p>Audio Level Meter: The audio level meter is displayed.</p> <p>ALM Hold Reset: The peak hold of the audio level meter is canceled.</p> <p>Time Code: The time code is displayed.</p> <p>Checkerboard: The left and right 3D video signals are displayed in a checkerboard pattern. When the button is set to off, only the currently selected left or right signal is displayed (normal display).</p> <p>L/R Switch: The left and right 3D video signals are displayed alternately by switching. When the button is set to off, only the currently selected left or right signal is displayed (normal display).</p> <p>Note A 3D-compatible BKM-250TG (with serial number 7100001 or higher) is required in order to assign Checkerboard or L/R Switch to the function button.</p>
	Monitor ID Display	<p>Sets display mode of the display window.</p> <p>[On]: Always displayed.</p> <p>Auto: Displayed during operating by the remote connection and disappears automatically after operation.</p> <p>Off: Not displayed.</p>
	Controller Upgrade	<p>Upgrades the controller.</p> <p>When the item is selected, the screen for inputting the password is displayed. After the 4-digit password is entered, the current versions of Software Version and Kernel Version are displayed.</p> <p><i>For the password, see Password (page 71) of the System Configuration menu.</i></p> <p><i>For details on upgrading the controller, see "Upgrading the Monitor and Controller" on page 94.</i></p>
	Software Upgrade	Upgrades the software for the controller.
	Kernel Upgrade	Upgrades the kernel of the controller.

Key Protect Menu

Overview

This menu is used to lock the data so that the setting is not changed by an unauthorized user.



Menu Function and Operation

Menu	Function and operation ([]: factory setting)
Key Protect	Sets the key protection. On: The button on the controller (except the menu operation buttons and monitor selection buttons) and the parallel remote do not function and other settings are not changeable. [Off]: Release the lock.

Selecting Display Mode

This monitor applies high-contrast to the picture and reproduces accurate color by displaying the interlace signal in progressive mode by the I/P conversion or the PsF-progressive signal in progressive mode without the I/P conversion.

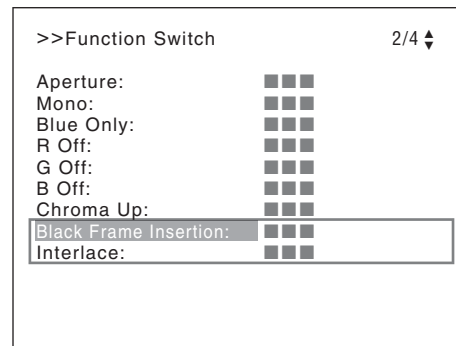
You can select the following mode according to the input signal or the object to evaluate the picture.

- **Black frame insertion display mode:** A black frame is inserted between the picture frames. It is convenient to confirm the picture with multi-action scenes or roll telop as the motion blur caused by the holding-type display of the LCD is decreased.
- **Interlace display mode:** The picture is displayed in interlace mode without I/P conversion processing. The picture near the original quality of the input signal is monitored.

Notes

- The luminance is reduced due to the principle of operation in the black frame insertion mode and the interlace display mode. However, on this monitor the normal luminance is set by setting up the value of the backlight luminance. For this reason, the black level is set higher than the normal setting level and the range of the contrast adjustment (backlight adjustment) is different from the normal level, and the luminance may be reduced according to the setting of the contrast.
- You cannot use both the black frame insertion display mode and interlace display mode. When the interlace display is set to on, the black frame insertion display is not set to on.
- The black frame is not inserted in the following cases:
 - When Interlace is set to On
 - When the 24P or 24PsF input signal is displayed
 - When Format of the Input Configuration menu is set to DVI Computer
 - When the HDMI computer signal is input
- The picture is not displayed in interlace mode in the following cases:
 - When Side by Side is set to On
 - When Pixel Zoom is set to on

- 1 For selecting the interlace display mode, set Native Scan (page 63) to On in the Display Function menu or by pressing the NATIVE SCAN button of the controller.
- 2 Set Interlace and Black Frame Insertion in the Function Switch menu (page 63) of the Display Function menu or by pressing the Interlace or Black Frame Insertion button* of the controller.



Setting Interlace and Black Frame Insertion

Display mode	Interlace	Black Frame Insertion
Progressive (factory setting)	Off	Off
Black frame insertion display	Off	On
Interlace display	On	Off

For the input signal to display in black insertion mode and interlace mode, see "Picture-Frame Display" on page 113.

* Interlace and Black Frame Insertion are assigned to a function button of the controller in the Function Key menu (page 79) of the Controller menu.

Setting the Display of Native Scan Mode

About the native scan mode

You can set the picture display type for the native scan mode according to the input signal.

You can select $\times 1$ or $\times 2$, which differ in picture display size, to map the pixels of the signal to the panel in one-to-one mode, or Aspect Correction. An SD signal of non-square pixels (the number of H pixels of the signal system is 720 or 1440) or a 640×480 SD signal of DVI video/HDMI video is displayed correctly by scaling processing of doubling for the V direction and correct aspect ratio for the H direction, and the picture is also optimized and displayed by modifying the aperture coefficient value, filter coefficient value, etc. in Aspect Correction mode.

For details, see “Picture Display Size” on page 110.

Set the native scan mode in the Native Scan Mode menu (page 58) of the Display Setting menu.

Note

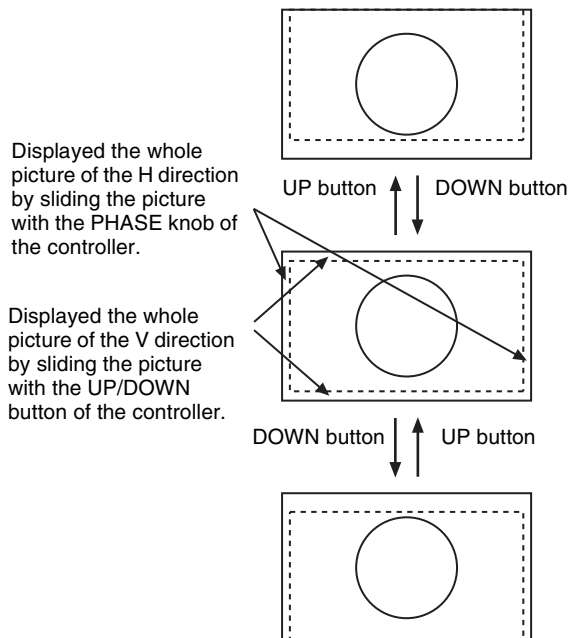
The native scan is not selectable in the following cases:

- When the input signal has no sync signal
- When Side by Side is set to On
- When Pixel Zoom is set to on
- When Format of the Input Configuration menu is set to DVI Computer (The native scan is displayed regardless of the setting.)
- When the HDMI computer signal is input (The native scan is displayed regardless of the setting.)
- When the signal system is the SD signal of 720×576 or 1440×576 , Native Scan Mode is set to Aspect Correction or $\times 2$ and the internal signal is displayed (Native Scan is set to Off and the normal scan is displayed regardless of the setting.)

Display of the input signal system 576/50i or 576/50P

When the input signal system is the SD signal of 720×576 or 1440×576 and Native Scan Mode is set to $\times 2$ or Aspect Correction, you can display no display area of the upper and lower sides over the V size (1080) by sliding the picture with the UP/DOWN button of the controller.

And when the input signal is same as above and Native Scan Mode is set to Aspect Correction and the aspect ratio is 16:9, you can display no display area of the left and right sides over the H size (1920) by sliding the picture with the PHASE knob of the controller. You can restore the display position to the center by pressing the MANUAL button of PHASE of the controller.



Note

The set position is held even when the system is changed to another input signal system.

Selecting the Native Scan/Scan Mode

You can select scan mode from a native scan, under scan (–3%), normal scan (0%) and over scan (mask of 5% over scan portion in the normal scan picture).

You can set scan mode with the NATIVE SCAN button or SCAN button of the controller, or in the Function Switch menu of the Display Function menu.

Setting with the NATIVE SCAN button or SCAN button of the controller

To set to the native scan mode

Set the NATIVE SCAN button to on. (The LED on the button lights.)

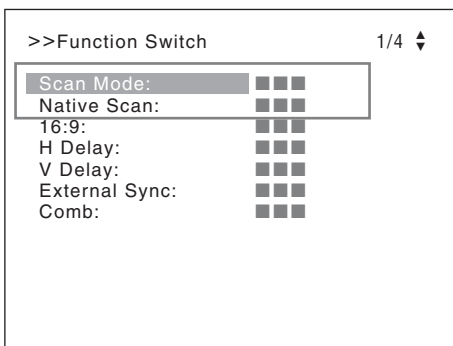
To select the scan mode

- 1 Set the NATIVE SCAN button to off. (The LED on the button is turned off.)
- 2 Press the SCAN button to select the scan mode.

Scan mode is changed to normal, under and over scan mode by each press of the button.

Setting in the menu

Set Scan Mode or Native Scan in the Function Switch menu of the Display Function menu.



To set to the native scan mode

Set Native Scan to On.

To select the scan mode

- 1 Set Native Scan to Off.
- 2 Select Scan Mode, then select scan mode from the following.

Normal Scan: Normal mode

Under Scan: Under mode

Over Scan: Over mode

For details on the Function Switch menu, see “Function Switch” (page 63) in the Display Function menu.

Note

The scan mode is not selectable in the following cases:

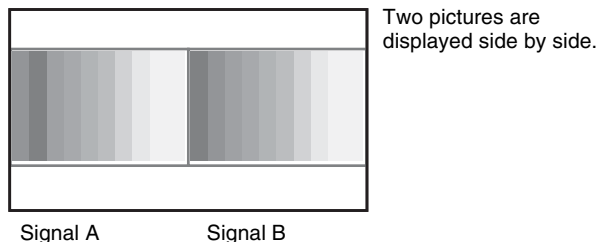
- When Native Scan is set to On
- When the internal signal is displayed
- When Side by Side is set to On

Displaying Two Signals on One Screen (Picture&Picture)

Two input signals are output on the monitor. Side by Side mode is useful for adjusting the color or comparing two pictures.

You can input the file loaded in the Capture menu (page 62) of the Display Function menu.

Side by Side (side by side)



Notes

- The input signals from INPUT 1 and INPUT 2 of one input adaptor are not displayed in the multi display. Two or more input adaptors are required to use the input signals from the input adaptor as signal A and signal B.
- You cannot select the same channel number as channels for signal A and signal B. And set a different channel number of the different input adaptor for signal A and signal B.
- When signal A and signal B are not the same signal format and signal system, the pictures may not be displayed correctly.
- The input of signal A is not changed in the multi display.
- The internal signal is not displayed in the multi display.
- The captured picture data is not used to display as signal A and signal B at the same time.
- The signals are not displayed in the multi display mode when Pixel Zoom is set to on.

Procedure

- 1** Select the channel number and set the input signal to display as signal A.
- 2** Select the Side by Side mode with the function button* of the controller or in the Function Switch menu of the Display Function menu and set it to On.

For details on the Function Switch menu, see the “Function Switch” (page 63) of the Display Function menu.

* The function of Picture&Picture is assigned to the function button of the controller in the Function Key menu (page 79) of the Controller menu.

- 3** Select the channel number and set the input signal to display as signal B.

The channel for signal B is set to CH01 at the factory setting.

To display the captured picture data file

You can use a captured picture other than the picture selected by designating the channel number as signal A and signal B.

Instead of setting the channel number in step **1** or step **3**, press the Capture Load button* or select Load in the Capture menu.

For details on the Capture menu, see the “Capture” (page 62) of the Display Function menu.

* Capture Load is assigned to the controller in the Function Key menu (page 79) of the Controller menu.

To end the multi display

Set Side by Side to Off in Function Switch menu (page 63) of the Display Function menu, or set the function button of the controller to off.

Magnifying the Picture (Pixel Zoom)

As part of the picture is magnified up to 8 times (up to 4 times when the display magnification of the native scan is $\times 2$) without scaling processing, this is convenient for confirming a minute of the signal. This functions in native scan mode.

Note

The Pixel Zoom is not set to on in the following cases:

- When the menu is displayed
- When Side by Side is set to On
- When the internal signal is displayed
- When the input signal has no sync signal

- 1 Set Native Scan to On by pressing the NATIVE SCAN button of the controller or in the Function Switch menu of the Display Function menu.

For details on Native Scan, see “Function Switch” (page 63) of the Display Function menu.

- 2 Display the picture and set Pixel Zoom to on by pressing the Pixel Zoom button* of the controller.

The cursor is displayed.

Note

When Native Scan Mode is set to Aspect Correction and Pixel Zoom is set to on for SD signal input, Native Scan Mode is set to $\times 2$.

To cancel the cursor display and return to the previous screen

Press the MENU button of the controller.

* Pixel Zoom is assigned to the function button of the controller in the Function Key menu (page 79) of the Controller menu.

- 3 Select the cursor size with the UP or DOWN button of the controller.

You can select the cursor size from 1 to 8 (from 1 to 4 when the display magnification of the native scan is $\times 2$ (page 58)).

The larger the number, the smaller the cursor.

- 4 Adjust the position of the cursor.

To move the leftward or rightward: Turn the PHASE knob.

To move the upward or downward: Turn the CHROMA knob.

- 5 Press the ENTER (Ent) button.

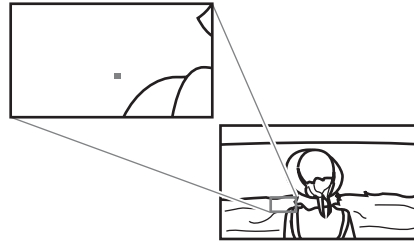
Part inside the cursor is magnified.

You can move the position of the magnified picture with the PHASE knob or CHROMA knob. You can change the magnification ratio with the UP or DOWN button.

You can also change the boundary line color.

For details on changing the boundary line color, see “Pixel Zoom Setting” (page 62) of the Display Function menu.

Press the MENU button of the controller to return to the cursor display.



To end the pixel zoom operation

When the cursor is displayed or the picture is magnified, press the Pixel Zoom button of the controller.

Displaying the Picture in Black Detail Mode

Black detail mode display function

You can reduce to dull black color by backlight leaking and precisely assess any parts with low color gradation.

You can decrease the black level up to 40% of the normal display (100 cd/m² at 100% signal). The parts with high color gradation (higher than 75 IRE) are clipped by the dynamic range of the circuit, but a zebra pattern (selectable) is displayed in the clipped portions.

For details on the zebra pattern display for the clipped portion, see “Zebra Pattern” (page 62) in the Black Detail Setting menu of the Display Function menu.

Notes

- The setting is in effect when Gamma (transmission gamma) of the Matrix/Gamma menu is set to 2.2.
- The contrast is not adjusted in black detail mode.
- The signal is not displayed in black detail mode in the following cases:
 - When Interlace is set to On
 - When Black Frame Insertion is set to On
 - When H Delay/V Delay is set to On

For the Matrix/Gamma setting, see “Matrix/Gamma” (page 54) of the Input Configuration menu.

To display the signal in black detail mode

Press the Black Detail Mode button* of the controller or set Black Detail Mode to On in the Function Switch menu of the Display Function menu (page 65).

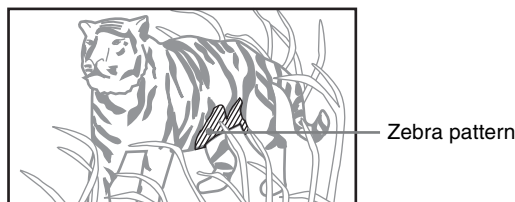
The OVER RANGE lamp of the front panel is lit in black detail mode.

* Black Detail Mode is assigned to the controller in the Function Key menu (page 79) of the Controller menu.

Note

Use the controller with software version 1.3 or higher to assign Black Detail Mode to the function button of the controller.

Zebra pattern display of the clipped portion



To end the black detail mode

Set the Black Detail Mode button of the controller to off, or set the Black Detail Mode to Off in the Function Switch menu of the Display Function menu.

Capturing the Picture of the HD Signal (HD Frame Capture)

The frame picture of the 3G/HD-SDI input signal is captured and saved as a picture file in the “Memory Stick”. This is used to confirm the color tone and picture angle of the current scene and recorded scene, or as the reference picture to adjust the monitor.

To save the captured frame, we recommend using “Memory Stick PRO (High-Speed)” or “Memory Stick PRO Duo (High-Speed)”.

Notes

- The file is saved in TIFF. The file size is a maximum of 13 MB.
- The picture file is captured or loaded without deterioration.
- The saved file may not be opened due to the PC application used.
- The HD Frame Capture function is effective only for the 3G/HD-SDI signal.
- The interlace input signal is captured in each frame (first field (F=0) and second field (F=1)).
- The frame is not captured in the following cases:
 - When Side by Side is set to On
 - When Pixel Zoom is set to on
 - When the internal signal is displayed
 - When the input signal has no sync signal
 - When the captured frame is displayed
- The HD Frame Capture function is not available on BKM-15R and BVM-A14F5.

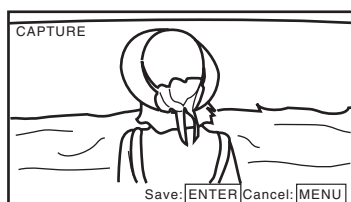
To capture

- 1 Insert the “Memory Stick” into the Memory Stick insertion slot of the controller.

For details on the “Memory Stick”, see “Inserting/Ejecting the “Memory Stick”” on page 131.

- 2 Display the picture and press the CAPTURE button of the controller at the point on the picture to be captured.

The captured still picture appears on the display.



To hide characters on the monitor, set the CHAR OFF button to on. As the characters are hidden, it becomes easy to confirm the still picture. To display the characters, set the CHAR OFF button to off.

- 3 Press the ENTER (Ent) button.

The display of the captured still picture is cleared and saving in the “Memory Stick” of the captured frame starts.

The “In progress ■” is displayed and “■” flashes during data saving. (It may take some time to write the data.)

The file of the captured frame is automatically named and the file name is displayed on the screen during file saving.

Note

The monitor is not operated until the saving is completed.

To load the captured frame

Press the Capture Load button* of the controller or select Load in the Capture menu (page 62) of the Display Function menu, and then the file name.

To cancel the captured frame display, select any one of channel numbers 1 to 30.

* Capture Load is assigned to the function button of the controller in the Function Key menu (page 79) of the Controller menu.

Displaying the Area Marker or Aspect Marker

The monitor is equipped with two area markers and center marker as the safe area marker and aspect marker for confirming the picture angle.

- 1 Input the signal.
- 2 Select the channel.
- 3 Set the marker preset data (Marker1 to Marker5) to display in the Marker Preset menu (page 55) of the Input Configuration menu.
- 4 Set the marker to display in the Marker Setting menu (page 59) of the Display Function menu for the preset data set in step 3.
- 5 Select the marker mode (Marker, Aspect Marker, Area Marker 1 or Area Marker 2) with the function button* of the controller or in the Function Switch menu of the Display Function menu and set it to On.

For details on the Function Switch menu, see the "Function Switch" (page 63) of the Display Function menu.

* Marker, Aspect Marker, Area Marker 1 or Area Marker 2 is assigned to the function button of the controller in the Function Key menu (page 79) of the Controller menu.

When the MARKER button is set to on

All the markers that are set to On in the Marker Setting menu of the Display Function menu are displayed. The MARKER button lights.

To display the aspect marker, area marker 1 or area marker 2

Set the button of the marker that you wish to display (ASPECT MARKER, AREA MARKER 1 or AREA MARKER 2) to on.

The MARKER button and the pressed button light.

To cancel the marker display

Set the MARKER button to off.

Displaying the Audio Level Meter

The audio level of the embedded audio signals superimposed on the SDI signals is displayed by installing the optional input adaptor (BKM-250TG).

Note

As the audio level meter is superimposed on the video signal, the audio level meter may be invisible partially because of the scan mode setting of the monitor.

- 1 Input the SDI signal.
- 2 Select the channel.
- 3 Set the audio level meter in the Audio Level Meter menu (page 71) of the On Screen Set menu of the System Configuration menu.

To set the audio channel

Set in the Audio CH menu.

CH1-CH8: Selects when the channel 1 to 8 is selected.

CH9-CH16: Selects when the channel 9 to 16 is selected.

To set the display position

Set in the Position menu.

Bottom: Displays at the bottom of the window.

Top: Displays at the top of the window.

To set the transparency of the background

Set in the Transparency menu.

Black: Sets the background in black.

Half: Sets the background in translucence.

To set the peak hold

Set in the Peak Hold menu.

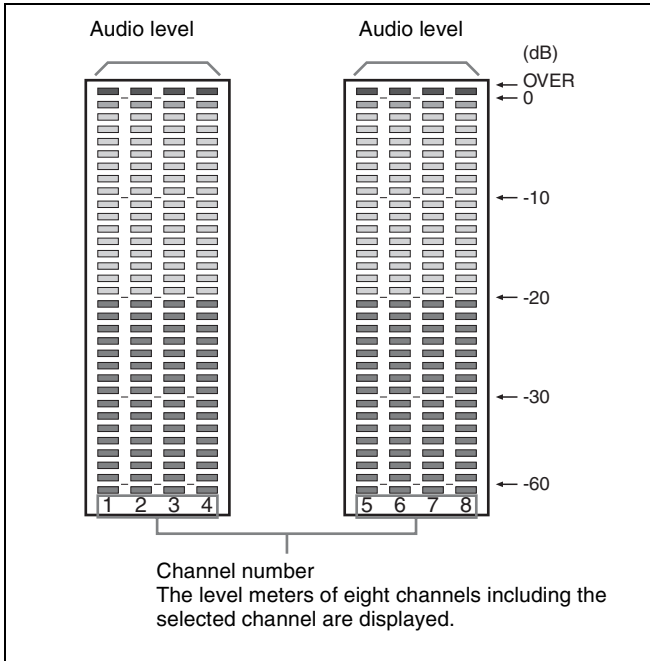
Off: The peak hold does not function.

Auto: The peak hold is automatically canceled after about 1 second.

Manual Reset: The peak hold is canceled manually. To cancel the peak hold, select ALM Hold Reset (page 66) in the Function Switch menu of the Display Function menu or set ALM Hold Reset to on by pressing the ALM Hold Reset button* of the controller.

- 4 Set Audio Level Meter (page 65) to On in the Function Switch menu of the Display Function menu or by pressing the Audio Level Meter button* of the controller.

The audio level meter is displayed.



To cancel the display of the audio level meter

Set Audio Level Meter (page 65) to Off in the Function Switch menu of the Display Function menu or by pressing the Audio Level Meter button* of the controller.

* Audio Level Meter and ALM Hold Reset are assigned to the function buttons of the controller in the Function Key menu (page 79) of the Controller menu.

Note

Use the controller with software version 1.4 or higher to assign Audio Level Meter or ALM Hold Reset function to the function button of the controller.

Displaying the Time Code

The time code superimposed on the SDI signals is displayed by installing the optional input adaptor (BKM-250TG).

Note

As the time code is superimposed on the video signal, the time code may be invisible partially because of the scan mode setting of the monitor.

- 1 Input the SDI signal.
- 2 Select the channel.
- 3 Set the time code in the Time Code menu (page 71) of the On Screen Set menu of the System Configuration menu.

To set the type of the time code

Set in the VITC/LTC menu.

VITC: Sets to VITC.

LTC: Sets to LTC.

To set the display position for the time code

Set in the Position menu.

Top Left: To display it at top left on the screen

Top Center: To display at top center on the screen

Top Right: To display at top right on the screen

Bottom Left: To display at bottom left on the screen

Bottom Center: To display at bottom center on the screen

Bottom Right: To display at bottom right on the screen

- 4 Set Time Code (page 66) to On in the Function Switch menu of the Display Function menu or by pressing the Time Code button* of the controller.

The time code is displayed.

To cancel the time code display

Set Time Code (page 66) to Off in the Function Switch menu of the Display Function menu or by pressing the Time Code button* of the controller.

* Time Code is assigned to the function button of the controller in the Function Key menu (page 79) of the Controller menu.

Note

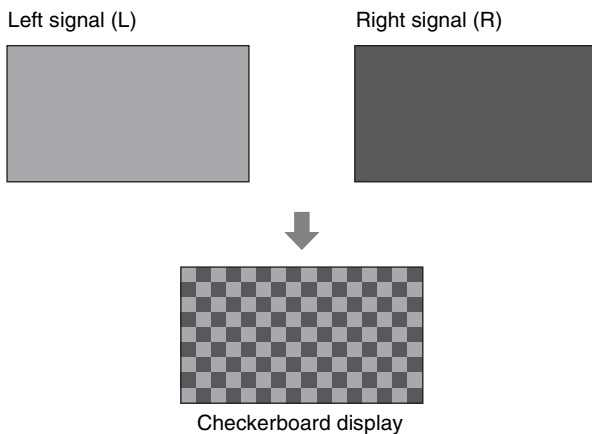
Use the controller with software version 1.4 or higher to assign Time Code function to the function button of the controller.

Switching the Display of the 3D Video Signal

Left (L) and right (R) 3D video signals can be displayed on the same screen in a checkerboard pattern or switched alternately on the screen if the optional input adaptor (BKM-250TG with serial number 7100001 or higher) is installed. This is useful for comparing the two signals. You can select Checkerboard display or L/R Switch display.

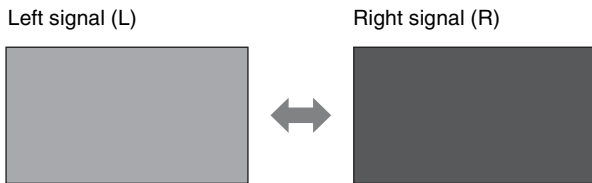
For details on the installation of the input adaptor (BKM-250TG), see “Installing an Input Adaptor” on page 22.

Checkerboard display



The left (L) and right (R) signals are displayed in a checkerboard pattern on the same screen for comparing the brightness or colors of the L and R signals. For this function, two-dimensional (2D) view is used. The signals are not displayed in stereoscopic view.

L/R Switch display



The left (L) and right (R) signals are switched alternately on the screen for comparing the brightness or colors of the L and R signals. For this function, two-dimensional (2D) view is used. The signals are not displayed in stereoscopic view.

Procedure

1 Input 3D video signals.

2 Select Checkerboard display or L/R Switch display with the function button* of the controller or in the Function Switch menu of the Display Function menu, and set it to On.

If the Checkerboard or L/R Switch function has been assigned to a pin of the PARALLEL REMOTE connector, set Parallel Remote to On in the System Configuration menu.

* Checkerboard display or L/R Switch display is assigned to the function button of the controller in the Function Key menu (page 81) of the Controller menu.

For details on the Function Switch menu, see “Function Switch” (page 66) of the Display Function menu.

For details on Parallel Remote, see “Parallel Remote” (page 69) of the System Configuration menu.

To view the Checkerboard display

Set Checkerboard to On to display the left and right signals in a checkerboard pattern on the screen. Set it to Off to return to the normal display (the currently selected left or right signal only).

To view the L/R Switch display

Set L/R Switch to On to switch the displayed left or right signal to the other signal. Set it to Off to return to the normal display (the currently selected left or right signal only).

Notes

- To use the 3D signal analyzing function, use the BKM-250TG with serial number 7100001 or higher.
- To assign Checkerboard or L/R Switch to the function button of the controller, use the controller with software version 1.5 or higher.
- The Checkerboard or L/R Switch display is set to Off if you change the channel number when the corresponding display has been set to On.
- The Checkerboard or L/R Switch display is set to Off if you display the Picture&Picture image when the corresponding display has been set to On.
- The Checkerboard or L/R Switch display may not be executed correctly if the input signal system is changed when the corresponding display has been set to On.
- The Checkerboard or L/R Switch display cannot be activated in the following cases:
 - When the option slot number in which the BKM-250TG (with serial number 7100001 or higher) is installed is not selected in Slot No of the Input Configuration menu.
 - When the dual-link display is used
 - When the internal signal is displayed
 - When the captured frame is displayed

Copying the Setting or Adjustment Value to Another Monitor

You can save the setting or adjustment value in the “Memory Stick” and copy it to another monitor.

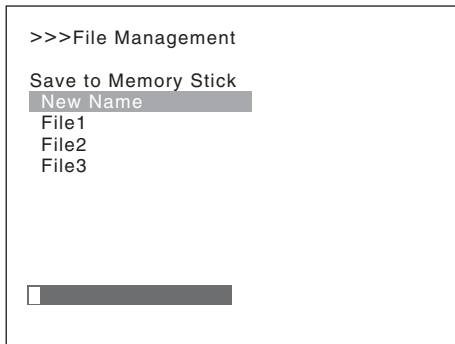
- 1 Insert the “Memory Stick” into the Memory Stick insertion slot of the controller.

For details on the “Memory Stick”, see “Inserting/Ejecting the “Memory Stick”” on page 131.

- 2 Select Memory Stick in the Save To menu (page 74) of the File Management menu, and then select New Name or the existing file name.

When you select New Name, the display to create a new name appears.

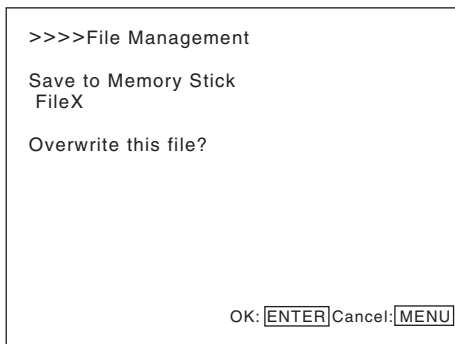
Display example



Enter a new name (1 to 20 characters).

When the existing file name is selected, the display to confirm a file name appears.

Display example



- 3 Press the ENTER (Ent) button.

The data is saved in the “Memory Stick”.

Notes

- Data saving, copying and deleting using the “Memory Stick” is not available on BKM-15R or BVM-A14F5.
- Data copying from the BVM-L series or BVM-A series monitor is not available.

Assigning the Function on the Function Button

You can assign a function other than the factory preset on the function button of the controller.

- 1 Select the Function Key menu in the Controller menu.
- 2 Select F1 to F16 button, and then the function assigned on each button.

The following functions are assigned.

Scan Mode
Native Scan
16 : 9
H Delay
V Delay
External Sync
Comb
Char Off
Color Temp
Capture Load
Aperture
Mono
Blue Only
R Off
G Off
B Off
Chroma Up
Black Frame Insertion
Interlace
Pixel Zoom
Marker
Aspect Marker
Area Marker 1
Area Marker 2
Side by Side
Wipe
Butterfly
Blending
Error Notify Clear
Degauss
Black Detail Mode
Audio Level Meter
ALM Hold Reset
Time Code
Checkerboard
L/R Switch

For details on the assigned function, see “Function Key” (page 79) in the Controller menu.

Upgrading the Monitor and Controller

You can upgrade the monitor and the controller with the data saved in a “Memory Stick”.

You can upgrade the following data:

Monitor: Software program
Kernel
FPGA data

Controller: Software program
Kernel

Notes

- Upgrading of the software for the controller is available for version 1.11 or later of the software for the controller, and upgrading of the controller kernel is available for version 1.2 or later.
- Use a “Memory Stick PRO” for upgrading.
If a “Memory Stick” other than “Memory Stick PRO” is used, the upgrading may not be executed correctly.
- To initialize the “Memory Stick PRO”, use a machine and application corresponding to “Memory Stick PRO”.
If Windows Explorer is used for initialization, the upgrading may not be executed correctly.
- When the unit is upgraded, use the AC power supply for the monitor.

To get the upgrade data

Contact your Sony representative.

Saving the Upgrade Data in a “Memory Stick PRO”

Save the upgrade data (MSSONY folder) in a “Memory Stick PRO”.

Save the whole MSSONY folder directly in the root directory of the Memory Stick drive.

To confirm saving the data correctly

Double-click on the file including checksum.bat in the file name.

- MSSONY/MONITOR/PVM_L/UPDATES/SOFT/PVM_L1700/checksum_soft.bat
- MSSONY/MONITOR/PVM_L/UPDATES/KERNEL/PVM_L1700/checksum_kernel.bat
- MSSONY/MONITOR/PVM_L/UPDATES/FPGA/PVM_L1700/checksum_fpga.bat
- MSSONY/MONITOR/BVM_L/UPDATES/SOFT/BKM_16R/checksum_soft.bat
- MSSONY/MONITOR/BVM_L/UPDATES/KERNEL/BKM_16R/checksum_kernel.bat

Display example

Confirming the upgrade data of the kernel of the monitor

Double-click the following file:

MSSONY\MONITOR\PVM_L\UPDATES\KERNEL\PVM_L1700\checksum_kernel.bat

When the data are saved correctly

```
E:\MSSONY\MONITOR\PVM_L\UPDATES\KERNEL\PVM_L1700>check_data\checksum -c check_data\checksum_table -f vxWorks_rom.bin -f version
.....
check 2 files Ok
.....
Success
.....
E:\MSSONY\MONITOR\PVM_L\UPDATES\KERNEL\PVM_L1700>pause
:
```

“Success” is displayed.

When the data are not saved correctly

```
E:\MSSONY\MONITOR\PVM_L\UPDATES\KERNEL\PVM_L1700>check_data\checksum -c check_data\checksum_table -f vxWorks_rom.bin -f version
"vxWorks_rom.bin" check : Error!!!
.....
1 file error
.....
Error
.....
E:\MSSONY\MONITOR\PVM_L\UPDATES\KERNEL\PVM_L1700>pause
:
```

“Error” is displayed.

Upgrading the Monitor

- 1 Insert the “Memory Stick PRO” into the Memory Stick insertion slot of the controller.
- 2 Select the Monitor Upgrade menu in the System Configuration menu (page 72).
- 3 Enter the 4-digit password.

The Monitor Upgrade screen is displayed, and the current version is indicated.

For the password, see Password (page 71) of the System Configuration menu.

- 4 Select the item to upgrade from among Software Upgrade, Kernel Upgrade, and FPGA Upgrade.

After about 10 seconds, the old and new software versions or kernel version, and the message to confirm that you wish to execute the upgrade are displayed. When FPGA Upgrade is selected, the new versions of FPGA1, FPGA2, FPGA CORE, starting from the left, and a confirmation message are displayed.

Display example

Monitor software will be upgraded and monitor will restart.

Are you sure?

- 5 Confirm the data version and press the ENTER (Ent) button.

Upgrading starts.

The “In progress ■” is displayed and “■” flashes during upgrading. The “■” indication may stop flashing during upgrading, but the data are being upgraded correctly.

It takes about 6 minutes to upgrade the software and about 1 minute to upgrade the kernel or FPGA data.

Notes

- Do not remove the “Memory Stick PRO” from the Memory Stick insertion slot during upgrading or disconnect the LAN cable between the monitor and controller.
- Do not turn off the power of the monitor and controller during upgrading.

After completion of upgrading, the display on the screen disappears, and the system is restarted. After restarting, the previous screen is displayed.

- 6 Select the Monitor Upgrade menu in the System Configuration menu and confirm that the version of the selected item has been upgraded.

When the upgrade sequence does not move forward correctly, the message such as “Procedure failure” is displayed in red. If this error message is displayed, contact your Sony representative.

Upgrading the Controller

- 1 Insert the “Memory Stick PRO” into the Memory Stick insertion slot of the controller.
- 2 Select the Controller Upgrade menu in the Controller menu (page 81).
- 3 Enter the 4-digit password.

The Controller Upgrade screen is displayed, and the current version is indicated.

For the password, see Password (page 71) of the System Configuration menu.

- 4 Select the item to upgrade from Software Upgrade or Kernel Upgrade.

After about 10 seconds, the old and new software versions or kernel version, and the message to confirm that you wish to execute the upgrade are displayed.

Display example

Controller software will be upgraded and controller will restart.

Are you sure?

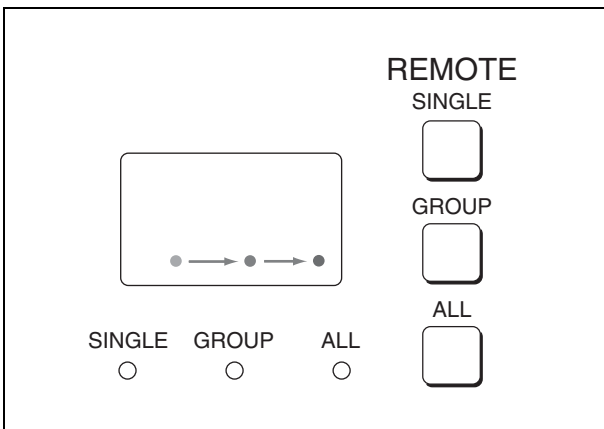
- 5 Confirm the data version and press the ENTER (Ent) button.

Upgrading starts.

When a version earlier than 1.2 of the software for the controller is upgraded

When upgrading starts, the dot (indicator) lights as moving from left to right in the display window of the controller. The dot may stop during upgrading, but the data are being upgraded correctly.

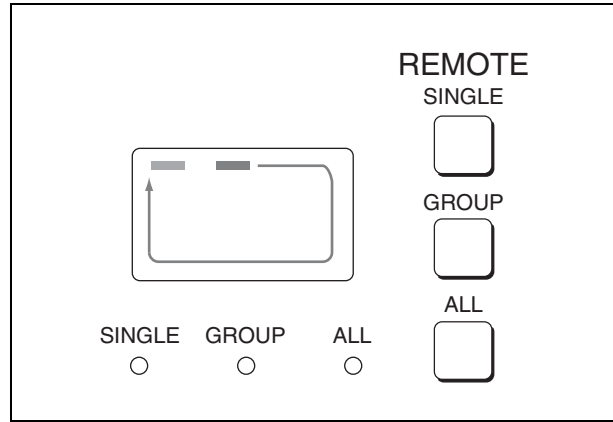
It takes about 1 minute to upgrade the controller.



When version 1.2 or later of the software for the controller is upgraded

When the upgrading starts, the indicator lights as turning clockwise in the display window of the controller. The indicator may stop during upgrading, but the data are being upgraded correctly.

It takes about 1 minute to upgrade the controller. After upgrading, all indicators light for about 1 second.



Notes

- Do not remove the “Memory Stick PRO” from the Memory Stick insertion slot during upgrading or disconnect the LAN cable between the monitor and controller.
- Do not turn off the power of the monitor and controller during upgrading.

After completion of upgrading, the system is restarted. The network between the monitor and controller is reconnected, and you can operate the controller.

When the upgrade sequence does not move forward correctly, the error message “Err” is displayed in the display window. If this error message is displayed, contact your Sony representative.

- 6 Exit the Controller Upgrade menu, select the Controller Upgrade menu again, and confirm that the version of the selected item has been upgraded.

Appendixes

Specifications

General

LCD panel	a-Si TFT Active Matrix
Picture size	16.52 inches
Display area	365.76 (H) × 205.74(V)
Resolution	1920 (H) × 1080 (V) pixel
Backlight	CCFL
Panel drive	RGB 10 bit
Panel frame rate	96/100/120 Hz
Viewing angle	89°/89°/89°/89° (up/down/left/right, contrast 10:1)
Pixel efficiency	99.99%
Warm-up time	Approx. 30 minutes
Power consumption	Approx. 110 W (AC power supply)/ approx. 100 W (DC power supply) (at maximum load) Approx. 90 W (AC power supply)/ approx. 80 W (DC power supply) (the BKM-243HS is attached, the default status)
Power requirements	100 to 240 V AC, 1.2 to 0.5 A, 50/60 Hz 24 to 28 V DC, 4.6 to 4.0 A
Peak inrush current	(1) Power ON, current probe method: 20 A (100 V), 53 A (240 V) (2) Hot switching inrush current, measured in accordance with European standard EN55103-1: 13 A (230 V)
Mass	Approx. 11 kg (24 lb 4 oz)

Input/Output

Option slot	Four slots
-------------	------------

	Signal format	Refer to “Available Signal Systems” (page 101) and “Available Signal Formats” (page 103).
PC input	DVI-D × 1	HDCP correspondence
	Signal format	Refer to “DVI-D” (page 107) of “Available Signal Formats”.
HDMI	HDMI™ × 1	HDCP correspondence, Deep Color correspondence
	Signal format	Refer to “HDMI” (page 108) of “Available Signal Formats”.
Control	OPTION A: Mini-DIN 8-pin (female) × 1	OPTION B: USB (Type A) type × 1
		LAN (10BASE-T/100BASE-TX): RJ- 45 × 1
		PARALLEL REMOTE: D-sub 9-pin (female) × 1
		DC 5V OUT: Circle 4-pin (female) × 1

Picture performance

Normal scan	0% scan
Native scan	Mapping the pixels of the signal to the panel to one-to-one mode, or displaying an SD signal of non- square pixels (the number of H pixels of the signal system is 720 or 1440) or a 640 × 480 SD signal of DVI video/HDMI video by scaling processing of doubling for the V direction and correct aspect ratio for the H direction and also optimizing and displaying a picture by modifying the aperture coefficient value, filter coefficient value, etc.
Under scan	3% under scan
Over scan	Mask of 5% over scan portion in the normal scan
Color temperature	D93, D65 (Setting possible in other color temperature)

Standard luminance

100 cd/m² (Preset1 to Preset5)
(1.0 Vp-p reference signal, 100% white
signal input)

Color space (color gamut)

ITU-R BT.709, BVM EBU, BVM
SMPTE-C, PVM-L1700 Native*

* The PVM-L1700 individual
chromaticity points. The widest color
space setting of the signal reproduced by
the PVM-L1700

	x	y
R	0.645	0.330
G	0.267	0.634
B	0.150	0.060

(Typical)

Operating conditions

Temperature 0 °C to 35 °C (32 °F to 95 °F)

Optimum temperature

20 °C to 30 °C (68 °F to 86 °F)

Humidity 0% to 90% (no condensation)

Pressure 700 hPa to 1060 hPa

Storage and transport conditions

Temperature -20 °C to +60 °C (-4 °F to +140 °F)

Humidity 0% to 90%

Pressure 700 hPa to 1060 hPa

Accessories supplied

AC power cord (1)

AC plug holder (1)

Rack mount bracket (Left, right, each 1)

Rack mount attachment screws (6)

Connection cable for color temperature adjustment (1)

Operation Manual (Japanese, English, each 1)

CD-ROM (1)

Using the CD-ROM Manual (1)

Optional accessories

BKM-16R Monitor Control Unit

BKM-39H Controller Attachment Stand

SMF-700 Monitor Interface Cable, Sony

BKM-220D SDI 4:2:2 Input Adaptor (with serial number
2100001 or higher)

BKM-227W NTSC/PAL Input Adaptor

BKM-229X Analog Component Input Adaptor (with serial
number 2200001 or higher)

BKM-243HS HD/D1-SDI Input Adaptor (with serial
number 2108355 or higher)

BKM-244CC HD/SD-SDI Closed Caption Adaptor

BKM-250TG 3G/HD/SD-SDI Input Adaptor (with serial
number 7100001 or higher)

Note

BKM-220D: This equipment may not meet the requirement for the electromagnetic interference standard if an input adaptor with a serial number that is not designated is installed.

BKM-229X: This equipment may not work correctly or you may not be satisfied with the performance if an input adaptor with a serial number that is not designated is installed.

BKM-243HS: This equipment may not meet the requirement for the electromagnetic interference standard or work correctly, or you may not be satisfied with the performance if an input adaptor with a serial number that is not designated is installed.

BKM-250TG: The 3D signal analyzing function does not operate if an input adaptor with a serial number that is not designated is installed.

Design and specifications are subject to change without notice.

Notes

- Always make a test recording, and verify that it was recorded successfully.

SONY WILL NOT BE LIABLE FOR DAMAGES OF ANY KIND INCLUDING, BUT NOT LIMITED TO, COMPENSATION OR REIMBURSEMENT ON ACCOUNT OF FAILURE OF THIS UNIT OR ITS RECORDING MEDIA, EXTERNAL STORAGE SYSTEMS OR ANY OTHER MEDIA OR STORAGE SYSTEMS TO RECORD CONTENT OF ANY TYPE.

- Always verify that the unit is operating properly before use. SONY WILL NOT BE LIABLE FOR DAMAGES OF ANY KIND INCLUDING, BUT NOT LIMITED TO, COMPENSATION OR REIMBURSEMENT ON ACCOUNT OF THE LOSS OF PRESENT OR PROSPECTIVE PROFITS DUE TO FAILURE OF THIS UNIT, EITHER DURING THE WARRANTY PERIOD OR AFTER EXPIRATION OF THE WARRANTY, OR FOR ANY OTHER REASON WHATSOEVER.

Input Signals and Adjustable/Setting Items

Item	Input signal											
	Analog						SDI			DVI-D		HDMI
	Composite	Y/C	Component (YPbPr)		RGB		D1	3G/HD		Video	Computer	
			SD	HD	SD	HD	YPbPr	YPbPr	RGB	RGB	RGB	
CONTRAST	○	○	○	○	○	○	○	○	○	○	○	○
BRIGHT	○	○	○	○	○	○	○	○	○	○	○	○
CHROMA	○	○	○	○	×	×	○	○	×	×	×	○ (*7)
PHASE	○ (NTSC)	○ (NTSC)	×	×	×	×	×	×	×	×	×	×
Picture Auto Adjust	○	○	○	○	○	○	×	×	×	×	×	×
Component Level	×	×	○ (480i)	×	×	×	×	×	×	×	×	×
NTSC Setup Level	○ (NTSC)	○ (NTSC)	×	×	×	×	×	×	×	×	×	×
Betacam Setup Level	×	×	○ (480i)	×	×	×	×	×	×	×	×	×
Position Adj	○	○	○	○	○	○	×	×	×	×	×	×
Scan Mode	○	○	○	○	○	○	○	○	○	○	×	○ (*10)
Native Scan (x1, x2) (*1)	○	○	○	○	○	○	○	○	○	○	○	○
Native Scan (Aspect Correction)	○	○	○	×	○	×	○	×	×	○ (*5)	×	○ (*5)
16 : 9	○	○	○	○(*2)	○	○(*2)	○	○ (*2)	○ (*2)	○ (*3)	×	○ (*3)(*8)
H Delay	○	○	○	○	○	○	○	○	○	×	×	×
V Delay	○	○	○	○	○	○	○	○	○	×	×	×
External Sync	×	×	○	○	○	○	×	×	×	×	×	×
Comb	○	×	×	×	×	×	×	×	×	×	×	×
Degauss (*4)	×	×	×	×	×	×	×	×	×	×	×	×
Aperture	○	○	○	○	○	○	○	○	○	○	×	○(*9)
Mono	○	○	○	○	○	○	○	○	○	○	○	○
Blue Only	○	○	○	○	○	○	○	○	○	○	○	○
R Off	○	○	○	○	○	○	○	○	○	○	○	○
G Off	○	○	○	○	○	○	○	○	○	○	○	○
B Off	○	○	○	○	○	○	○	○	○	○	○	○
Chroma Up	○	○	○	○	×	×	○	○	×	×	×	○ (*7)
Capture Load	○	○	○	○	○	○	○	○	○	○	○	○
Pixel Zoom	○	○	○	○	○	○	○	○	○	○	○	○
Marker	○	○	○	○	○	○	○	○	○	○	×	○ (*10)
Aspect Marker	○	○	○	○	○	○	○	○	○	○	×	○ (*10)
Area Marker 1	○	○	○	○	○	○	○	○	○	○	×	○ (*10)
Area Marker 2	○	○	○	○	○	○	○	○	○	○	×	○ (*10)
Side by Side	○	○	○	○	○	○	○	○	○	○	○	○
Char Off	○	○	○	○	○	○	○	○	○	○	○	○
Color Temp	○	○	○	○	○	○	○	○	○	○	○	○
Capture	×	×	×	×	×	×	×	○	○	×	×	×

Item	Input signal											
	Analog						SDI			DVI-D		HDMI
	Composite	Y/C	Component (YPbPr)		RGB		D1	3G/HD		Video	Computer	
			SD	HD	SD	HD	YPbPr	YPbPr	RGB	RGB	RGB	
Black Frame Insertion	See "Picture-Frame Display" on page 113.											
Interlace	See "Picture-Frame Display" on page 113.											
Black Detail Mode (*6)	○	○	○	○	○	○	○	○	○	○	○	○
Audio Level Meter (*11)	×	×	×	×	×	×	○	○	○	×	×	×
ALM Hold Reset (*11)	×	×	×	×	×	×	○	○	○	×	×	×
Time Code (*11)	×	×	×	×	×	×	○	○	○	×	×	×
Checkerboard (*12)	×	×	×	×	×	×	×	○	×	×	×	×
L/R Switch (*12)	×	×	×	×	×	×	×	○	×	×	×	×

○: Adjustable/can be set

×: Not adjustable/cannot be set

*1: Fixed to ×1 when the HD signal, DVI computer signal or the computer signal of HDMI is input and ×2 when the SD signal is input from BKM-229X.

*2: Fixed to 16:9 with HD signal.

*3: Excludes 640 × 480/60*P. Fixed to 16:9 with HD signal.

*4: Becomes effective when the BVM-A series monitor is controlled.

*5: In effect with SD format

*6: In effect when Gamma (transmission gamma) of the Matrix/Gamma menu is set to 2.2

*7: Functions when the YCbCr signal is input.

*8: Functions when the HDMI Auto menu (page 53) of the Screen Aspect menu is set to Off.

Does not function when the computer signal of HDMI is input.

*9: For the operable input signal, see "Aperture Modification Frequency" (page 109).

*10: Does not function when the computer signal of HDMI is input.

*11: Sets when the SDI signal is input from BKM-250TG.

*12: Enabled when the SDI signal is input from a BKM-250TG with serial number 7100001 or higher.

Available Signal Systems

Input adaptor

Signal system	Total lines per frame	Active lines per frame	Frame rate (Hz)	Scanning format	Aspect ratio	Standard	Display on the monitor
720x576/50i	625	576	25	2:1 Interlace	16:9/4:3	Rec.ITU-R BT.601	575/50I
1440x576/50i*	625	576	25	2:1 Interlace	16:9/4:3		575/50I
720x487/59.94i	525	487	30/1.001	2:1 Interlace	16:9/4:3	Rec.ITU-R BT.601	480/60I 480/59.94I**
1440x487/59.94i*	525	487	30/1.001	2:1 Interlace	16:9/4:3		480/60I
1440x576/50P*	625	576	50	Progressive	16:9/4:3		576/50P
1440x483/59.94P*	525	483	60/1.001	Progressive	16:9/4:3		480/60P
1920x1080/24PsF	1125	1080	24	Progressive	16:9	SMPTE-RP211	1080/24PsF
1920x1080/ 23.98PsF	1125	1080	24/1.001	Progressive	16:9	SMPTE-RP211	1080/24PsF 1080/ 23.98PsF**
1920x1080/25PsF	1125	1080	25	Progressive	16:9	SMPTE-RP211	1080/25PsF
1920x1080/30PsF	1125	1080	30	Progressive	16:9	SMPTE-RP211	1080/30PsF
1920x1080/ 29.97PsF	1125	1080	30/1.001	Progressive	16:9	SMPTE-RP211	1080/30PsF 1080/ 29.97PsF**
1920x1080/24P	1125	1080	24	Progressive	16:9	SMPTE-274M	1080/24P
1920x1080/23.98P	1125	1080	24/1.001	Progressive	16:9	SMPTE-274M	1080/24P 1080/23.98P**
1920x1080/25P	1125	1080	25	Progressive	16:9	SMPTE-274M	1080/25P
1920x1080/30P	1125	1080	30	Progressive	16:9	SMPTE-274M	1080/30P
1920x1080/29.97P	1125	1080	30/1.001	Progressive	16:9	SMPTE-274M	1080/30P 1080/29.97P**
1920x1080/50i	1125	1080	25	2:1 Interlace	16:9	SMPTE-274M	1080/50I
1920x1080/60i	1125	1080	30	2:1 Interlace	16:9	SMPTE-274M	1080/60I
1920x1080/59.94i	1125	1080	30/1.001	2:1 Interlace	16:9	SMPTE-274M	1080/60I 1080/59.94I**
1920x1080/50P	1125	1080	50	Progressive	16:9	SMPTE-274M	1080/50P
1920x1080/60P	1125	1080	60	Progressive	16:9	SMPTE-274M	1080/60P
1920x1080/59.94P	1125	1080	60/1.001	Progressive	16:9	SMPTE-274M	1080/60P 1080/59.94P**
1280x720/24P	750	720	24	Progressive	16:9	SMPTE-296M	720/24P
1280x720/23.98P	750	720	24/1.001	Progressive	16:9	SMPTE-296M	720/24P 720/23.98P**
1280x720/25P	750	720	25	Progressive	16:9	SMPTE-296M	720/25P
1280x720/30P	750	720	30	Progressive	16:9	SMPTE-296M	720/30P
1280x720/29.97P	750	720	30/1.001	Progressive	16:9	SMPTE-296M	720/30P 720/29.97P**
1280x720/50P	750	720	50	Progressive	16:9	SMPTE-296M	720/50P
1280x720/60P	750	720	60	Progressive	16:9	SMPTE-296M	720/60P
1280x720/59.94P	750	720	60/1.001	Progressive	16:9	SMPTE-296M	720/60P 720/59.94P**

*: The analog component signal or analog RGB signal from BKM-229X is processed in 720 dots × 2 (1440 dots).

** : Displays when the signal is input from BKM-250TG, Format is set to 3G/HD/SD-SDI Auto (page 52) in the Input Configuration menu and the Picture Rate information of the Payload ID superimposed on the input signal is 23.98, 29.97 or 59.94.

- For details on the available signal system for the DVI-D input signal, see “DVI-D” (page 107) of “Available Signal Formats”.
- For details on the available signal system for the HDMI input signal, see “HDMI” (page 108) of “Available Signal Formats”.



Available Signal Formats

Input adaptor

Signal format			Applied system	BKM-220D	BKM-227W	BKM-229X	BKM-243HS/244CC	BKM-250TG	Standard
Analog Composite									
NTSC	Setup level	0	487/59.94i	x	○	x	x	x	SMPTE-170M
		7.5							
PAL			576/50i	x	○	x	x	x	Rec.ITU-R BT.470
PAL-M			487/59.94i	x	○	x	x	x	
SECAM			576/50i	x	○	x	x	x	
Analog Y/C									
NTSC	Setup level	0	487/59.94i	x	○	x	x	x	
		7.5							
PAL			576/50i	x	○	x	x	x	
PAL-M			487/59.94i	x	○	x	x	x	
SECAM			576/50i	x	○	x	x	x	
Analog Component									
			1080/60*i	x	x	○	x	x	SMPTE-274M
			1080/50i	x	x	○	x	x	
			1080/24*PsF	x	x	○	x	x	SMPTE-RP211
			1080/25PsF	x	x	○	x	x	
			1080/30*PsF	x	x	○	x	x	
			1080/24*P	x	x	○	x	x	SMPTE-274M
			1080/25P	x	x	○	x	x	
			1080/30*P	x	x	○	x	x	
			720/60*P	x	x	○	x	x	SMPTE-296M
			720/50P	x	x	○	x	x	
			483/59.94P	x	x	○	x	x	SMPTE-293M/ Rec.ITU-R BT.1358
			576/50P	x	x	○	x	x	Rec.ITU-R BT.1358
			576/50i	x	x	○	x	x	EBU N10
Component level	SMPTE/EBU N10		487/59.94i	x	x	○	x	x	
	Betacam	0							
			7.5						
Analog RGB									
			1080/60*i	x	x	○	x	x	SMPTE-274M
			1080/50i	x	x	○	x	x	
			1080/24*PsF	x	x	○	x	x	SMPTE-RP 211
			1080/25PsF	x	x	○	x	x	
			1080/30*PsF	x	x	○	x	x	

Signal format				Applied system	BKM-220D	BKM-227W	BKM-229X	BKM-243HS/244CC	BKM-250TG	Standard				
				1080/24*P	x	x	○	x	x	SMPTE-274M				
				1080/25P	x	x	○	x	x					
				1080/30*P	x	x	○	x	x					
								720/60*P	x	x	○	x	x	SMPTE-296M
								720/50P	x	x	○	x	x	
								483/59.94P	x	x	○	x	x	SMPTE-293M/ Rec.ITU-R BT.1358
								576/50P	x	x	○	x	x	Rec.ITU-R BT.1358
								487/59.94i	x	x	○	x	x	
								576/50i	x	x	○	x	x	EBU N10
D1														
				720x487/59.94i	○	x	x	○	○	SMPTE-259M				
				720x576/50i	○	x	x	○	○					
HD-SDI														
Single-link	4:2:2	YPbPr	10bit	1920x1080/ 24*PsF	x	x	x	○	○	SMPTE-292M				
Dual-link	4:4:4	YPbPr	10bit		1920x1080/ 24*PsF	x	x	x	○(2)	○	SMPTE-372M			
		RGB	10bit											
		YPbPr	12bit											
		RGB	12bit											
Single-link	4:2:2	YPbPr	10bit	1920x1080/ 25PsF	x	x	x	○	○	SMPTE-292M				
Dual-link	4:4:4	YPbPr	10bit		1920x1080/ 25PsF	x	x	x	○(2)	○	SMPTE-372M			
		RGB	10bit											
		YPbPr	12bit											
		RGB	12bit											
Single-link	4:2:2	YPbPr	10bit	1920x1080/ 30*PsF	x	x	x	○	○	SMPTE-292M				
Dual-link	4:4:4	YPbPr	10bit		1920x1080/ 30*PsF	x	x	x	○(2)	○	SMPTE-372M			
		RGB	10bit											
		YPbPr	12bit											
		RGB	12bit											
Single-link	4:2:2	YPbPr	10bit	1920x1080/24*P	x	x	x	○	○	SMPTE-292M				
Dual-link	4:4:4	YPbPr	10bit		1920x1080/24*P	x	x	x	○(2)	○	SMPTE-372M			
		RGB	10bit											
		YPbPr	12bit											
		RGB	12bit											
Single-link	4:2:2	YPbPr	10bit	1920x1080/25P	x	x	x	○	○	SMPTE-292M				
Dual-link	4:4:4	YPbPr	10bit		1920x1080/25P	x	x	x	○(2)	○	SMPTE-372M			
		RGB	10bit											
		YPbPr	12bit											
		RGB	12bit											

Signal format				Applied system	BKM-220D	BKM-227W	BKM-229X	BKM-243HS/244CC	BKM-250TG	Standard
Single-link	4:2:2	YPbPr	10bit	1920×1080/30*P	x	x	x	○	○	SMPTE-292M
Dual-link	4:4:4	YPbPr	10bit		x	x	x	○(2)	○	SMPTE-372M
		RGB	10bit							
		YPbPr	12bit							
		RGB	12bit							
Single-link	4:2:2	YPbPr	10bit	1920×1080/50i	x	x	x	○	○	SMPTE-292M
Dual-link	4:4:4	YPbPr	10bit		x	x	x	○(2)	○	SMPTE-372M
		RGB	10bit							
		YPbPr	12bit							
		RGB	12bit							
Single-link	4:2:2	YPbPr	10bit	1920×1080/60*i	x	x	x	○	○	SMPTE-292M
Dual-link	4:4:4	YPbPr	10bit		x	x	x	○(2)	○	SMPTE-372M
		RGB	10bit							
		YPbPr	12bit							
		RGB	12bit							
Dual-link	4:2:2	YPbPr	10bit	1920×1080/50P	x	x	x	○(2)	○	
Dual-link	4:2:2	YPbPr	10bit	1920×1080/60*P	x	x	x	○(2)	○	
Single-link	4:2:2	YPbPr	10bit	1280×720/24*P	x	x	x	○	○	SMPTE-292M
Single-link	4:2:2	YPbPr	10bit	1280×720/25P	x	x	x	○	○	
Single-link	4:2:2	YPbPr	10bit	1280×720/30*P	x	x	x	○	○	
Single-link	4:2:2	YPbPr	10bit	1280×720/50P	x	x	x	○	○	
Single-link	4:2:2	YPbPr	10bit	1280×720/60*P	x	x	x	○	○	
Single-link	4:2:2	YPbPr	10bit	1280×720/60*P	x	x	x	○	○	
3G-SDI										
Single-link	4:4:4	YPbPr	10bit	1920×1080/24*PsF	x	x	x	x	▲	SMPTE-425-AB
	4:4:4	RGB	10bit							
	4:4:4	YPbPr	12bit							
	4:4:4	RGB	12bit							
Single-link	4:4:4	YPbPr	10bit	1920×1080/25PsF	x	x	x	x	▲	SMPTE-425-AB
	4:4:4	RGB	10bit							
	4:4:4	YPbPr	12bit							
	4:4:4	RGB	12bit							
Single-link	4:4:4	YPbPr	10bit	1920×1080/30*PsF	x	x	x	x	▲	SMPTE-425-AB
	4:4:4	RGB	10bit							
	4:4:4	YPbPr	12bit							
	4:4:4	RGB	12bit							
Single-link	4:4:4	YPbPr	10bit	1920×1080/24*P	x	x	x	x	▲	SMPTE-425-AB
	4:4:4	RGB	10bit							
	4:4:4	YPbPr	12bit							
	4:4:4	RGB	12bit							
Single-link	4:4:4	YPbPr	10bit	1920×1080/25P	x	x	x	x	▲	SMPTE-425-AB
	4:4:4	RGB	10bit							
	4:4:4	YPbPr	12bit							
	4:4:4	RGB	12bit							

Signal format				Applied system	BKM-220D	BKM-227W	BKM-229X	BKM-243HS/244CC	BKM-250TG	Standard
Single-link	4:4:4	YPbPr	10bit	1920×1080/30*P	×	×	×	×	▲	SMPTE-425-AB
	4:4:4	RGB	10bit							
	4:4:4	YPbPr	12bit							
	4:4:4	RGB	12bit							
Single-link	4:4:4	YPbPr	10bit	1920×1080/50i	×	×	×	×	▲	SMPTE-425-AB
	4:4:4	RGB	10bit							
	4:4:4	YPbPr	12bit							
	4:4:4	RGB	12bit							
Single-link	4:4:4	YPbPr	10bit	1920×1080/60*i	×	×	×	×	▲	SMPTE-425-AB
	4:4:4	RGB	10bit							
	4:4:4	YPbPr	12bit							
	4:4:4	RGB	12bit							
Single-link	4:2:2	YPbPr	10bit	1920×1080/50P	×	×	×	×	○	SMPTE-425-AB
Single-link	4:2:2	YPbPr	10bit	1920×1080/60*P	×	×	×	×	○	SMPTE-425-AB
Single-link	4:4:4	YPbPr	10bit	1280×720/24*P	×	×	×	×	▲	SMPTE-425-AB
	4:4:4	RGB	10bit							
Single-link	4:4:4	YPbPr	10bit	1280×720/25P	×	×	×	×	▲	SMPTE-425-AB
	4:4:4	RGB	10bit							
Single-link	4:4:4	YPbPr	10bit	1280×720/30*P	×	×	×	×	▲	SMPTE-425-AB
	4:4:4	RGB	10bit							
Single-link	4:4:4	YPbPr	10bit	1280×720/50P	×	×	×	×	▲	SMPTE-425-AB
	4:4:4	RGB	10bit							
Single-link	4:4:4	YPbPr	10bit	1280×720/60*P	×	×	×	×	▲	SMPTE-425-AB
	4:4:4	RGB	10bit							

- : Signal can be reproduced.
 ×: Signal cannot be reproduced.
 ▲: Untested
 ○(2): Two adaptors are used.
 *: Also compatible with 1/1.001.

DVI-D

Signal format				System	Interface sampling frequency [MHz]	Aspect ratio	Standard
DVI Video							
Single-link	4:4:4	RGB	8bit	640 × 480/60*P	25.200*	4:3	CEA-861
Single-link	4:4:4	RGB	8bit	720 × 480/60*P	27.027*	4:3/16:9	
Single-link	4:4:4	RGB	8bit	1280 × 720/60*P	74.250*	16:9	
Single-link	4:4:4	RGB	8bit	1920 × 1080/60*i	74.250*	16:9	
Single-link	4:4:4	RGB	8bit	720 (1440)** × 480/60*i	27.027*	4:3/16:9	
Single-link	4:4:4	RGB	8bit	720 × 576/50P	27.000*	4:3/16:9	
Single-link	4:4:4	RGB	8bit	1280 × 720/50P	74.250	16:9	
Single-link	4:4:4	RGB	8bit	1920 × 1080/50i	74.250	16:9	
Single-link	4:4:4	RGB	8bit	720 (1440)** × 576/50i	27.000	4:3/16:9	
Single-link	4:4:4	RGB	8bit	1920 × 1080/60*P	148.500*	16:9	
Single-link	4:4:4	RGB	8bit	1920 × 1080/50P	148.500	16:9	
Single-link	4:4:4	RGB	8bit	1920 × 1080/24*P	74.250*	16:9	
Single-link	4:4:4	RGB	8bit	1920 × 1080/25P	74.250	16:9	
Single-link	4:4:4	RGB	8bit	1920 × 1080/30*P	74.250*	16:9	
DVI Computer**							
Single-link	4:4:4	RGB	8bit	fH: 28-75 kHz fV: 48-85 Hz Maximum resolution: 1920×1080/60P	25.000 - 162.000		

*: Also compatible with 1/1.001.

** : Supports the progressive signal with square pixel structure. The interlace signal is not applicable.

***: Pixel Repetition = 2 (transmit the same pixel twice)

- The quantization range of the DVI input signal is set in the RGB Range menu (page 56).
- The picture is not displayed correctly when the item (Video/Computer) selected in the DVI menu (page 52) of the Format menu does not correspond to the input signal.
- When Computer is selected in the DVI menu of the Format menu and the output signal from the computer, etc. is not displayed correctly, select Video for confirmation.
- When Video is selected in the DVI menu of the Format menu and the picture is not displayed correctly, select Computer for confirmation.

HDMI

Signal format	System	Interface sampling frequency [MHz]	Aspect ratio	Standard
HDMI				
RGB 4:4:4 8/10/12bit** YCbCr 4:4:4 8/10/12bit** YCbCr 4:2:2 12bit**	640 × 480/60*P	25.200*	4:3	CEA-861
	720 × 480/60*P	27.027*	4:3/16:9	
	1280 × 720/60*P	74.250*	16:9	
	1920 × 1080/60*i	74.250*	16:9	
	720 (1440)*** × 480/60*i	27.027*	4:3/16:9	
	720 × 576/50P	27.000*	4:3/16:9	
	1280 × 720/50P	74.250	16:9	
	1920 × 1080/50i	74.250	16:9	
	720 (1440)*** × 576/50i	27.000	4:3/16:9	
	1920 × 1080/60*P	148.500*	16:9	
	1920 × 1080/50P	148.500	16:9	
	1920 × 1080/24*P	74.250*	16:9	
	1920 × 1080/25P	74.250	16:9	
	1920 × 1080/30*P	74.250*	16:9	
	800 × 600/60P****	40.000	4:3	VESA
	1024 × 768/60P****	65.000	4:3	
1280 × 960/60P****	108.000	4:3		
1280 × 1024/60P****	108.000	5:4		
1400 × 1050/60P****	121.750	4:3		

*: Also compatible with 1/1.001.

** : RGB/YCbCr format and 8/10/12bit are selected automatically according to the input signal.

***: Pixel Repetition = 2 (transmit the same pixel twice)

****: In this manual, the 800 × 600, 1024 × 768, 1280 × 960, 1280 × 1024 and 1400 × 1050 signals are referred to as the HDMI computer signals.

- The quantization level of the HDMI input signal is set in the RGB Range menu (page 56).
- The aspect ratio of the HDMI input signal is manually set when the HDMI Auto menu (page 53) of the Screen Aspect menu is set to Off.

Aperture Modification Frequency

Signal system	Serial digital input		Analog input			DVI-D/HDMI input
	SD-SDI	3G/HD-SDI	Composite (Y/C)	Component (YPbPr)	RGB	RGB
Input adaptor						
576/50i	5 MHz		5 MHz	5 MHz	5 MHz	
487/59.94i	5 MHz		5 MHz	5 MHz	5 MHz	
576/50P				10 MHz	10 MHz	
483/59.94P				10 MHz	10 MHz	
1080/24*PsF		25 MHz		25 MHz	25 MHz	
1080/24*P		25 MHz		25 MHz	25 MHz	
1080/50i (25PsF)		25 MHz		25 MHz	25 MHz	
1080/25P		25 MHz		25 MHz	25 MHz	
1080/60*i (30*PsF)		25 MHz		25 MHz	25 MHz	
1080/30*P		25 MHz		25 MHz	25 MHz	
720/24*P		25 MHz				
720/25P		25 MHz				
720/30*P		25 MHz				
720/50P		25 MHz		25 MHz	25 MHz	
720/60*P		25 MHz		25 MHz	25 MHz	
1080/50P		50 MHz				
1080/60*P		50 MHz				
DVI Video/HDMI						
640x480/60*P						10 MHz
720x480/60*P						10 MHz
1280x720/60*P						25 MHz
1920x1080/60*i						25 MHz
720 (1440)**x480/60*i						5 MHz
720x576/50P						10 MHz
1280x720/50P						25 MHz
1920x1080/50i						25 MHz
720 (1440)**x576/50i						5 MHz
1920x1080/60*P						50 MHz
1920x1080/50P						50 MHz
1920x1080/24*P						25 MHz
1920x1080/25P						25 MHz
1920x1080/30*P						25 MHz

*: Also compatible with 1/1.001

** : Pixel Repetition = 2 (transmit the same pixel twice)

Blank column: The signal cannot be input or the aperture modification does not operate for that signal even if it is input.

Picture Display Size

Input adaptor

Signal system	Aspect ratio	Native Scan x1	Native Scan x2	Native Scan Aspect Correction	Normal Scan	Under Scan	Over Scan	Side by Side
		(H) x (V)	(H) x (V)	(H) x (V)	(H) x (V)	(H) x (V)	(H) x (V)	(H) x (V)
720 x 576/50i	4:3	720 x 576	1440 x 1152	1575 x 1152	1477 x 1080	1432 x 1048	1407 x 1029	960 x 702
	16:9			2100 x 1152	1920 x 1053	1862 x 1022	1829 x 1003	960 x 527
1440 x 576/50i**	4:3		1440 x 1152	1575 x 1152	1477 x 1080	1432 x 1048	1407 x 1029	960 x 702
	16:9			2100 x 1152	1920 x 1053	1862 x 1022	1829 x 1003	960 x 527
720 x 487/59.94i	4:3	720 x 487	1440 x 974	1302 x 974	1443 x 1080	1400 x 1048	1374 x 1029	960 x 718
	16:9			1736 x 974	1920 x 1077	1862 x 1045	1829 x 1026	960 x 539
1440 x 487/59.94i**	4:3		1440 x 974	1302 x 974	1443 x 1080	1400 x 1048	1374 x 1029	960 x 718
	16:9			1736 x 974	1920 x 1077	1862 x 1045	1829 x 1026	960 x 539
1440 x 576/50P**	4:3		1440 x 1152	1575 x 1152	1477 x 1080	1432 x 1048	1407 x 1029	960 x 702
	16:9			2100 x 1152	1920 x 1053	1862 x 1022	1829 x 1003	960 x 527
1440 x 483/59.94P**	4:3		1440 x 966	1302 x 966	1455 x 1080	1412 x 1048	1386 x 1029	960 x 712
	16:9			1736 x 966	1920 x 1069	1862 x 1037	1829 x 1018	960 x 534
1920 x 1080/24*PsF	16:9	1920 x 1080			1920 x 1080	1862 x 1048	1829 x 1029	960 x 540
1920 x 1080/25PsF	16:9	1920 x 1080			1920 x 1080	1862 x 1048	1829 x 1029	960 x 540
1920 x 1080/30*PsF	16:9	1920 x 1080			1920 x 1080	1862 x 1048	1829 x 1029	960 x 540
1920 x 1080/24*P	16:9	1920 x 1080			1920 x 1080	1862 x 1048	1829 x 1029	960 x 540
1920 x 1080/25P	16:9	1920 x 1080			1920 x 1080	1862 x 1048	1829 x 1029	960 x 540
1920 x 1080/30*P	16:9	1920 x 1080			1920 x 1080	1862 x 1048	1829 x 1029	960 x 540
1920 x 1080/50i	16:9	1920 x 1080			1920 x 1080	1862 x 1048	1829 x 1029	960 x 540
1920 x 1080/60*i	16:9	1920 x 1080			1920 x 1080	1862 x 1048	1829 x 1029	960 x 540
1920 x 1080/50P	16:9	1920 x 1080			1920 x 1080	1862 x 1048	1829 x 1029	960 x 540
1920 x 1080/60*P	16:9	1920 x 1080			1920 x 1080	1862 x 1048	1829 x 1029	960 x 540
1280 x 720/24*P	16:9	1280 x 720			1920 x 1080	1862 x 1048	1829 x 1029	960 x 540
1280 x 720/25P	16:9	1280 x 720			1920 x 1080	1862 x 1048	1829 x 1029	960 x 540
1280 x 720/30*P	16:9	1280 x 720			1920 x 1080	1862 x 1048	1829 x 1029	960 x 540
1280 x 720/50P	16:9	1280 x 720			1920 x 1080	1862 x 1048	1829 x 1029	960 x 540
1280 x 720/60*P	16:9	1280 x 720			1920 x 1080	1862 x 1048	1829 x 1029	960 x 540

*: Also compatible with 1/1.001

** : The analog component signal or analog RGB signal from BKM-229X is processed in 720 dots x 2 (1440 dots).

DVI-D

Signal system	Aspect ratio	Native Scan x1	Native Scan x2	Native Scan Aspect Correction	Normal Scan	Under Scan	Over Scan	Side by Side
		(H) x (V)	(H) x (V)	(H) x (V)	(H) x (V)	(H) x (V)	(H) x (V)	(H) x (V)
DVI Video								
640 x 480/60*P	4:3	640 x 480	1280 x 960	1280 x 960	1440 x 1080	1397 x 1048	1371 x 1029	960 x 720
720 x 480/60*P	4:3	720 x 480	1440 x 960	1280x 960	1440 x 1080	1397 x 1048	1371 x 1029	960 x 720
	16:9			1707x 960	1920 x 1080	1862 x 1048	1829 x 1029	960 x 540
1280 x 720/60*P	16:9	1280 x 720			1920 x 1080	1862 x 1048	1829 x 1029	960 x 540
1920 x 1080/60*i	16:9	1920 x 1080			1920 x 1080	1862 x 1048	1829 x 1029	960 x 540
720(1440)** x 480/60*i	4:3	720 x 480	1440 x 960	1280 x 960	1440 x 1080	1397 x 1048	1371 x 1029	960 x 720
	16:9			1707x 960	1920 x 1080	1862 x 1048	1829 x 1029	960 x 540
720 x 576/50P	4:3	720 x 576	1440 x 1152	1536 x 1152	1440 x 1080	1397 x 1048	1371 x 1029	960 x 720
	16:9			2048x 1152	1920 x 1080	1862 x 1048	1829 x 1029	960 x 540
1280 x 720/50P	16:9	1280 x 720			1920 x 1080	1862 x 1048	1829 x 1029	960 x 540
1920 x 1080/50i	16:9	1920 x 1080			1920 x 1080	1862 x 1048	1829 x 1029	960 x 540
720(1440)** x 576/50i	4:3	720 x 576	1440 x 1152	1536 x 1152	1440 x 1080	1397 x 1048	1371 x 1029	960 x 720
	16:9			2048x 1152	1920 x 1080	1862 x 1048	1829 x 1029	960 x 540
1920 x 1080/60*P	16:9	1920 x 1080			1920 x 1080	1862 x 1048	1829 x 1029	960 x 540
1920 x 1080/50P	16:9	1920 x 1080			1920 x 1080	1862 x 1048	1829 x 1029	960 x 540
1920 x 1080/24*P	16:9	1920 x 1080			1920 x 1080	1862 x 1048	1829 x 1029	960 x 540
1920 x 1080/25P	16:9	1920 x 1080			1920 x 1080	1862 x 1048	1829 x 1029	960 x 540
1920 x 1080/30*P	16:9	1920 x 1080			1920 x 1080	1862 x 1048	1829 x 1029	960 x 540
DVI Computer								
fH: 28-75 kHz fV: 48-85 Hz Maximum resolution: 1920 x 1080/60P								

*: Also compatible with 1/1.001

** : Pixel Repetition = 2 (transmit the same pixel twice)

• Over Scan: The area size where 5% over scan portion in the normal scan is masked.

• When Native Scan Mode is set to Aspect Correction, the area over the H size (1920) is not displayed.

HDMI

Signal system	Aspect ratio	Native Scan x1	Native Scan x2	Native Scan Aspect Correction	Normal Scan	Under Scan	Over Scan	Side by Side
		(H) × (V)	(H) × (V)	(H) × (V)	(H) × (V)	(H) × (V)	(H) × (V)	(H) × (V)
HDMI								
640 × 480/60*P	4:3	640 × 480	1280 × 960	1280 × 960	1440 × 1080	1397 × 1048	1371 × 1029	960 × 720
720 × 480/60*P	4:3	720 × 480	1440 × 960	1280 × 960	1440 × 1080	1397 × 1048	1371 × 1029	960 × 720
	16:9			1707 × 960	1920 × 1080	1862 × 1048	1829 × 1029	960 × 540
1280 × 720/60*P	16:9	1280 × 720			1920 × 1080	1862 × 1048	1829 × 1029	960 × 540
1920 × 1080/60*i	16:9	1920 × 1080			1920 × 1080	1862 × 1048	1829 × 1029	960 × 540
720(1440)** × 480/60*i	4:3	720 × 480	1440 × 960	1280 × 960	1440 × 1080	1397 × 1048	1371 × 1029	960 × 720
	16:9			1707 × 960	1920 × 1080	1862 × 1048	1829 × 1029	960 × 540
720 × 576/50P	4:3	720 × 576	1440 × 1152	1536 × 1152	1440 × 1080	1397 × 1048	1371 × 1029	960 × 720
	16:9			2048 × 1152	1920 × 1080	1862 × 1048	1829 × 1029	960 × 540
1280 × 720/50P	16:9	1280 × 720			1920 × 1080	1862 × 1048	1829 × 1029	960 × 540
1920 × 1080/50i	16:9	1920 × 1080			1920 × 1080	1862 × 1048	1829 × 1029	960 × 540
720(1440)** × 576/50i	4:3	720 × 576	1440 × 1152	1536 × 1152	1440 × 1080	1397 × 1048	1371 × 1029	960 × 720
	16:9			2048 × 1152	1920 × 1080	1862 × 1048	1829 × 1029	960 × 540
1920 × 1080/60*P	16:9	1920 × 1080			1920 × 1080	1862 × 1048	1829 × 1029	960 × 540
1920 × 1080/50P	16:9	1920 × 1080			1920 × 1080	1862 × 1048	1829 × 1029	960 × 540
1920 × 1080/24*P	16:9	1920 × 1080			1920 × 1080	1862 × 1048	1829 × 1029	960 × 540
1920 × 1080/25P	16:9	1920 × 1080			1920 × 1080	1862 × 1048	1829 × 1029	960 × 540
1920 × 1080/30*P	16:9	1920 × 1080			1920 × 1080	1862 × 1048	1829 × 1029	960 × 540
800 × 600/60P (SVGA)	4:3	800 × 600						960 × 720
1024 × 768/60P (XGA)	4:3	1024 × 768						960 × 720
1280 × 960/60P (SXGA)	4:3	1280 × 960						960 × 720
1280 × 1024/60P (SXGA)	5:4	1280 × 1024						960 × 768
1400 × 1050/60P (SXGA+)	4:3	1400 × 1050						960 × 720

*: Also compatible with 1/1.001

** : Pixel Repetition = 2 (transmit the same pixel twice)

• Over Scan: The area size where 5% over scan portion in the normal scan is masked.

• The aspect ratio is manually set when the HDMI Auto menu (page 53) of the Screen Aspect menu is set to Off.

Picture·Frame Display

Input adaptor

Signal system	Black frame insertion	Interlace	Display frame rate [Hz]
720 × 576/50i	○	○	100
1440 × 576/50i**	○	○	100
720 × 487/59.94i	○	○	120/1.001
1440 × 487/59.94i**	○	○	120/1.001
1440 × 576/50P**	○	×	100
1440 × 483/59.94P**	○	×	120/1.001
1920 × 1080/24*PsF	×	×	96*
1920 × 1080/25PsF	○	○*1	100
1920 × 1080/30*PsF	○	○*1	120*
1920 × 1080/24*P	×	×	96*
1920 × 1080/25P	○	×	100
1920 × 1080/30*P	○	×	120*
1920 × 1080/50i	○	○*2	100
1920 × 1080/60*i	○	○*2	120*
1920 × 1080/50P	○	×	100
1920 × 1080/60*P	○	×	120*
1280 × 720/24*P	×	×	96*
1280 × 720/25P	○	×	100
1280 × 720/30*P	○	×	120*
1280 × 720/50P	○	×	100
1280 × 720/60*P	○	×	120*

*: Also compatible with 1/1.001.

***: The analog component signal or analog RGB signal from BKM-229X is processed in 720 dots × 2 (1440 dots).

*1: When 1080I is selected in the 1080I/PsF menu of the Input Configuration menu, the signal is displayed in interlace mode in order to equate it with the interlace signal input.

*2: Functions when 1080I is selected in the 1080I/PsF menu of the Input Configuration menu.

DVI-D

Signal system	Black frame insertion	Interlace	Display frame rate [Hz]
DVI Video			
640 × 480/60*P	○	×	120*
720 × 480/60*P	○	×	120*
1280 × 720/60*P	○	×	120*
1920 × 1080/60*i	○	○	120*
720(1440)** × 480/60*i	○	○	120*
720 × 576/50P	○	×	100
1280 × 720/50P	○	×	100
1920 × 1080/50i	○	○	100
720(1440)** × 576/50i	○	○	100
1920 × 1080/60*P	○	×	120*
1920 × 1080/50P	○	×	100
1920 × 1080/24*P	×	×	96*
1920 × 1080/25P	○	×	100
1920 × 1080/30*P	○	×	120*
DVI Computer			
fH: 28-75 kHz fV: 48-85 Hz Maximum resolution: 1920 × 1080/60P	×	×	fV 48-60 Hz: 2 × fV fV other than above: Converted to 2 × 60 Hz

* : Also compatible with 1/1.001.

** : Pixel Repetition = 2 (transmit the same pixel twice)

HDMI

Signal system	Black frame insertion	Interlace	Display frame rate [Hz]
HDMI			
640 × 480/60*P	○	×	120*
720 × 480/60*P	○	×	120*
1280 × 720/60*P	○	×	120*
1920 × 1080/60*i	○	○	120*
720(1440)** × 480/60*i	○	○	120*
720 × 576/50P	○	×	100
1280 × 720/50P	○	×	100
1920 × 1080/50i	○	○	100
720(1440)** × 576/50i	○	○	100
1920 × 1080/60*P	○	×	120*
1920 × 1080/50P	○	×	100
1920 × 1080/24*P	×	×	96*
1920 × 1080/25P	○	×	100
1920 × 1080/30*P	○	×	120*
800 × 600/60P (SVGA)	×	×	120
1024 × 768/60P (XGA)	×	×	120
1280 × 960/60P (SXGA)	×	×	120

Signal system	Black frame insertion	Interlace	Display frame rate [Hz]
1280 × 1024/60P (SXGA)	×	×	120
1400 × 1050/60P (SXGA+)	×	×	120

* : Also compatible with 1/1.001.

** : Pixel Repetition = 2 (transmit the same pixel twice)



Matrix/Gamma Setting Table

Input adaptor

- M in the following table shows Matrix.
- G in the following table shows Gamma.

Signal format			Signal system	Matrix/Gamma										User1 - User5												
				Matrix/Gamma data setting area	ITU-R BT.709		ITU-R BT.601		SMPTE 240M		xvYCC 709		xvYCC 601		M	G										
					M ITU 709	G 2.2	M ITU 601	G 2.2	M SMPTE 240	G 2.2	M ITU 709	G xv YCC	M ITU 601	G xv YCC												
Analog Composite																										
NTSC	Setup level	0	487/59.94i	SD		○																				
		7.5																								
PAL															○										A	B
PAL-M															○											
SECAM				○																						
Analog Y/C																										
NTSC	Setup level	0	487/59.94i	SD		○																				
		7.5																								
PAL															○										A	B
PAL-M															○											
SECAM				○																						
Analog Component																										
		1080/60*i		HD		○																				
		1080/50i																								
		1080/24*PsF																								
		1080/25PsF																								
		1080/30*PsF																								
		1080/24*P																								
		1080/25P																								
		1080/30*P																								
		720/60*P																								
		720/50P																								
		483/59.94P		SD		○																				
		576/50P																								
		576/50i																								
		Component level		SMPTE/EBU N10	487/59.94i				○																	
Betacam	0																									
			7.5																							

Signal format	Signal system	Matrix/Gamma											User1 - User5						
		Matrix/Gamma data setting area	ITU-R BT.709		ITU-R BT.601		SMPTE 240M		xvYCC 709		xvYCC 601		M	G					
			M ITU 709	G 2.2	M ITU 601	G 2.2	M SMPTE 240	G 2.2	M ITU 709	G xv YCC	M ITU 601	G xv YCC							
Analog RGB**																			
	1080/60i	HD		<input type="radio"/>										A	B				
	1080/50i		<input type="radio"/>																
	1080/24*PsF		<input type="radio"/>																
	1080/25PsF		<input type="radio"/>																
	1080/30*PsF		<input type="radio"/>																
	1080/24*P		<input type="radio"/>																
	1080/25P		<input type="radio"/>																
	1080/30*P		<input type="radio"/>																
	720/60*P		<input type="radio"/>																
	720/50P		<input type="radio"/>																
	483/59.94P	SD		<input type="radio"/>															
	576/50P		<input type="radio"/>																
	487/59.94i		<input type="radio"/>																
	576/50i		<input type="radio"/>																
D1																			
	720 x 487/59.94i	SD		<input type="radio"/>										A	B				
	720 x 576/50i		<input type="radio"/>																
HD-SDI																			
Single-link	4:2:2	YPbPr	10bit	1920 x 1080/24*PsF	HD	<input type="radio"/>								A	B				
Dual-link	4:4:4	YPbPr	10bit			<input type="radio"/>													
		RGB**	10bit			<input type="radio"/>													
		YPbPr	12bit			<input type="radio"/>													
		RGB**	12bit			<input type="radio"/>													
Single-link	4:2:2	YPbPr	10bit			1920 x 1080/25PsF	HD	<input type="radio"/>											
Dual-link	4:4:4	YPbPr	10bit					<input type="radio"/>											
		RGB**	10bit					<input type="radio"/>											
		YPbPr	12bit	<input type="radio"/>															
		RGB**	12bit	<input type="radio"/>															

Signal format				Signal system	Matrix/Gamma										User1 - User5				
					Matrix/Gamma data setting area	ITU-R BT.709		ITU-R BT.601		SMPTE 240M		xvYCC 709		xvYCC 601					
						M ITU 709	G 2.2	M ITU 601	G 2.2	M SMPTE 240	G 2.2	M ITU 709	G xv YCC	M ITU 601			G xv YCC		
Single-link	4:2:2	YPbPr	10bit	HD															
Dual-link	4:4:4	YPbPr	10bit																
		RGB**	10bit																
		YPbPr	12bit																
		RGB**	12bit																
Single-link	4:2:2	YPbPr	10bit																
Dual-link	4:4:4	YPbPr	10bit																
		RGB**	10bit																
		YPbPr	12bit																
		RGB**	12bit																
Single-link	4:2:2	YPbPr	10bit																
Dual-link	4:4:4	YPbPr	10bit																
		RGB**	10bit																
		YPbPr	12bit																
		RGB**	12bit																
Single-link	4:2:2	YPbPr	10bit																
Dual-link	4:4:4	YPbPr	10bit																
		RGB**	10bit																
		YPbPr	12bit																
		RGB**	12bit																
Single-link	4:2:2	YPbPr	10bit																
Dual-link	4:4:4	YPbPr	10bit																
		RGB**	10bit																
		YPbPr	12bit																
		RGB**	12bit																
Single-link	4:2:2	YPbPr	10bit																
Dual-link	4:4:4	YPbPr	10bit																
		RGB**	10bit																
		YPbPr	12bit																
		RGB**	12bit																
Dual-link	4:2:2	YPbPr	10bit																
Dual-link	4:2:2	YPbPr	10bit																
Single-link	4:2:2	YPbPr	10bit																
Single-link	4:2:2	YPbPr	10bit																
Single-link	4:2:2	YPbPr	10bit																
Single-link	4:2:2	YPbPr	10bit																
Single-link	4:2:2	YPbPr	10bit																
Single-link	4:2:2	YPbPr	10bit																

Appendixes

A **B**

Signal format				Signal system	Matrix/Gamma										User1 - User5			
					Matrix/Gamma data setting area	ITU-R BT.709		ITU-R BT.601		SMPTE 240M		xvYCC 709		xvYCC 601				
						M ITU 709	G 2.2	M ITU 601	G 2.2	M SMPTE 240	G 2.2	M ITU 709	G xv YCC	M ITU 601	G xv YCC	M	G	
3G-SDI																		
Single-link	4:4:4	YPbPr	10bit	1920x1080/24*PsF	HD	<input type="radio"/>												
	4:4:4	RGB**	10bit			<input type="radio"/>												
	4:4:4	YPbPr	12bit			<input type="radio"/>												
	4:4:4	RGB**	12bit			<input type="radio"/>												
Single-link	4:4:4	YPbPr	10bit	1920x1080/25PsF		<input type="radio"/>												
	4:4:4	RGB**	10bit			<input type="radio"/>												
	4:4:4	YPbPr	12bit			<input type="radio"/>												
	4:4:4	RGB**	12bit			<input type="radio"/>												
Single-link	4:4:4	YPbPr	10bit	1920x1080/30*PsF		<input type="radio"/>												
	4:4:4	RGB**	10bit			<input type="radio"/>												
	4:4:4	YPbPr	12bit			<input type="radio"/>												
	4:4:4	RGB**	12bit			<input type="radio"/>												
Single-link	4:4:4	YPbPr	10bit	1920x1080/24*P		<input type="radio"/>												
	4:4:4	RGB**	10bit			<input type="radio"/>												
	4:4:4	YPbPr	12bit			<input type="radio"/>												
	4:4:4	RGB**	12bit			<input type="radio"/>												
Single-link	4:4:4	YPbPr	10bit	1920x1080/25P		<input type="radio"/>												
	4:4:4	RGB**	10bit			<input type="radio"/>												
	4:4:4	YPbPr	12bit			<input type="radio"/>												
	4:4:4	RGB**	12bit			<input type="radio"/>												
Single-link	4:4:4	YPbPr	10bit	1920x1080/30*P		<input type="radio"/>												
	4:4:4	RGB**	10bit			<input type="radio"/>												
	4:4:4	YPbPr	12bit			<input type="radio"/>												
	4:4:4	RGB**	12bit			<input type="radio"/>												
Single-link	4:4:4	YPbPr	10bit	1920x1080/50i		<input type="radio"/>												
	4:4:4	RGB**	10bit			<input type="radio"/>												
	4:4:4	YPbPr	12bit			<input type="radio"/>												
	4:4:4	RGB**	12bit			<input type="radio"/>												
Single-link	4:4:4	YPbPr	10bit	1920x1080/60*i	<input type="radio"/>													
	4:4:4	RGB**	10bit		<input type="radio"/>													
	4:4:4	YPbPr	12bit		<input type="radio"/>													
	4:4:4	RGB**	12bit		<input type="radio"/>													
Single-link	4:2:2	YPbPr	10bit	1920x1080/50P	<input type="radio"/>													
Single-link	4:2:2	YPbPr	10bit	1920x1080/60*P	<input type="radio"/>													
Single-link	4:4:4	YPbPr	10bit	1280x720/24*P	<input type="radio"/>													
	4:4:4	RGB**	10bit		<input type="radio"/>													
Single-link	4:4:4	YPbPr	10bit	1280x720/25P	<input type="radio"/>													
	4:4:4	RGB**	10bit		<input type="radio"/>													
Single-link	4:4:4	YPbPr	10bit	1280x720/30*P	<input type="radio"/>													
	4:4:4	RGB**	10bit		<input type="radio"/>													

Signal format				Signal system	Matrix/Gamma												
					Matrix/Gamma data setting area	ITU-R BT.709		ITU-R BT.601		SMPTE 240M		xvYCC 709		xvYCC 601		User1 - User5	
						M ITU 709	G 2.2	M ITU 601	G 2.2	M SMPTE 240	G 2.2	M ITU 709	G xv YCC	M ITU 601	G xv YCC	M	G
Single-link	4:4:4	YPbPr	10bit	1280x720/50P	HD	<input type="radio"/>											
	4:4:4	RGB**	10bit			<input type="radio"/>								A	B		
Single-link	4:4:4	YPbPr	10bit	1280 x 720/ 60*P	HD	<input type="radio"/>											
	4:4:4	RGB**	10bit			<input type="radio"/>											

*: Also compatible with 1/1.001.

** : The internal fixed value applies to the transmission matrix of the RGB format.

○: Selectable (the default setting)

Blank column: The signal is selectable but the display may not be correct due to the input signal.

x: Not selectable

- A**: 1. ITU709
2. ITU601
3. SMPTE240M

Selectable from above 1 to 3.

- B**: 1. 2.2
2. xvYCC

Selectable from above 1 to 2.



DVI-D

- M in the following table shows Matrix.
- G in the following table shows Gamma.

Signal format				System		Matrix/Gamma										User1 - User5		
						Matrix/Gamma data setting area	ITU-R BT.709		ITU-R BT.601		SMPTE 240M		xvYCC 709		xvYCC 601			
							M ITU 709	G 2.2	M ITU 601	G 2.2	M SMPTE 240	G 2.2	M ITU 709	G xv YCC	M ITU 601			G xv YCC
DVI Video																		
Single-link	4:4:4	RGB**	8bit	640 x 480/60*P	SD		○											
Single-link	4:4:4	RGB**	8bit	720 x 480/60*P			○											
Single-link	4:4:4	RGB**	8bit	1280 x 720/60*P	HD	○												
Single-link	4:4:4	RGB**	8bit	1920 x 1080/60*i		○												
Single-link	4:4:4	RGB**	8bit	720 (1440)*** x 480/60*i	SD		○											
Single-link	4:4:4	RGB**	8bit	720 x 576/50P			○											
Single-link	4:4:4	RGB**	8bit	1280 x 720/50P	HD	○									A	B		
Single-link	4:4:4	RGB**	8bit	1920 x 1080/50i		○												
Single-link	4:4:4	RGB**	8bit	720 (1440)*** x 576/50i	SD		○											
Single-link	4:4:4	RGB**	8bit	1920 x 1080/60*P	HD	○												
Single-link	4:4:4	RGB**	8bit	1920 x 1080/50P		○												
Single-link	4:4:4	RGB**	8bit	1920 x 1080/24*P		○												
Single-link	4:4:4	RGB**	8bit	1920 x 1080/25P		○												
Single-link	4:4:4	RGB**	8bit	1920 x 1080/30*P		○												
DVI Computer																		
Single-link	4:4:4	RGB**	8bit	fH: 28-75 kHz fV: 48-85 Hz Maximum resolution: 1920 x 1080/60P	DVI Computer	○									A	B		

*: Also compatible with 1/1.001.

** : The internal fixed value applies to the transmission matrix of the RGB format.

*** : Pixel Repetition = 2 (transmit the same pixel twice)

○ : Selectable (the default setting)

Blank column: The signal is selectable but the display may not be correct due to the input signal.

× : Not selectable

- A**: 1. ITU709
2. ITU601
3. SMPTE240M

Selectable from above 1 to 3.

- B**: 1. 2.2
2. xvYCC

Selectable from above 1 to 2.

HDMI

- M in the following table shows Matrix.
- G in the following table shows Gamma***.

Signal format	System	Matrix/Gamma												User1 - User5			
		Matrix/ Gamma data setting area	ITU-R BT.709		ITU-R BT.601		SMPTE 240M		xvYCC 709		xvYCC 601		M	G			
			M ITU 709	G 2.2	M ITU 601	G 2.2	M SMPTE 240M	G 2.2	M ITU 709	G xv YCC	M ITU 601	G xv YCC					
HDMI																	
4:4:4 RGB** 8/10/12bit 4:4:4 YCbCr 8/10/12bit 4:2:2 YCbCr 12bit	640 × 480/60*P	SD		○													
	720 × 480/60*P			○													
	1280 × 720/60*P	HD	○														
	1920 × 1080/60*i		○														
	720 (1440)**** × 480/60*i	SD		○													
	720 × 576/50P			○													
	1280 × 720/50P	HD	○														
	1920 × 1080/50i		○														
	720 (1440)**** × 576/50i	SD		○													
	1920 × 1080/60*P	HD	○														
	1920 × 1080/50P		○														
	1920 × 1080/24*P		○														
	1920 × 1080/25P		○														
	1920 × 1080/30*P		○														
	800 × 600/60P		○														
	1024 × 768/60P	HDMI Computer	○														
	1280 × 960/60P		○														
	1280 × 1024/60P		○														
1400 × 1050/60P	○																
	○																

*: Also compatible with 1/1.001.

** : The internal fixed value applies to the transmission matrix of the RGB format.

*** : When the quantization range is Full, the internal fixed value applies to the transmission gamma.

**** : Pixel Repetition = 2 (transmit the same pixel twice)

○ : Selectable (the default setting)

Blank column: The signal is selectable but the display may not be correct due to the input signal.

x: Not selectable

- A** : 1. ITU709
2. ITU601
3. SMPTE240M

Selectable from above 1 to 3.

- B** : 1. 2.2
2. xvYCC

Selectable from above 1 to 2.

Scan Mode Image

Example: Scan images of available signal system when the input adaptor is installed

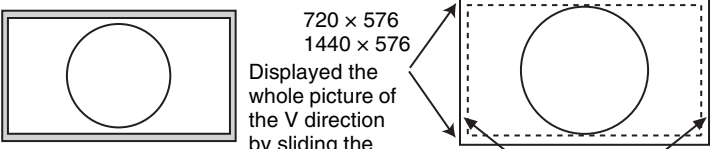
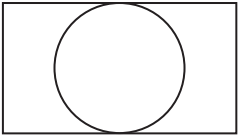
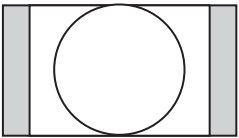
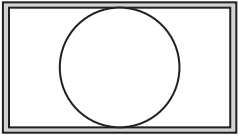
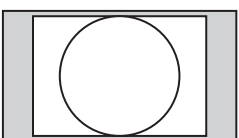
For details of the picture display size, see page 110.

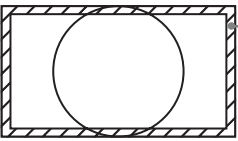
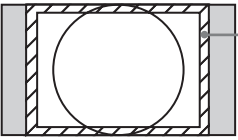
- For setting of the Native Scan Mode menu, see Native Scan Mode (page 58) of the Display Setting menu.
- For setting of Aspect, see the Screen Aspect menu (page 53) of the Input Configuration menu.

Panel size



Scan mode	Input signal system and scan mode image	
Native Scan		
Native Scan Mode: ×1	1920 × 1080 	1280 × 720 720 × 576 720 × 487
Native Scan Mode: ×2	720 × 487 1440 × 487 1440 × 483 	720 × 576 1440 × 576 Displayed by sliding the picture with the UP/DOWN button of the controller.
Native Scan Mode: Aspect Correction Aspect 4:3	720 × 487 1440 × 487 1440 × 483 	720 × 576 1440 × 576

Scan mode	Input signal system and scan mode image	
Native Scan Mode: Aspect Correction Aspect 16:9	720×487 1440×487 1440×483	 <p data-bbox="982 244 1136 436"> 720×576 1440×576 Displayed the whole picture of the V direction by sliding the picture with the UP/DOWN button of the controller. </p> <p data-bbox="1144 351 1453 457"> Displayed the whole picture of the H direction by sliding the picture with the PHASE knob of the controller. </p>
Normal Scan		
Aspect: 16:9	1920×1080 1280×720 720×576 720×487 1440×576 1440×487 1440×483	
Aspect: 4:3	720×576 720×487 1440×576 1440×487 1440×483	
Under Scan		
Aspect: 16:9	1920×1080 1280×720 720×576 720×487 1440×576 1440×487 1440×483	
Aspect: 4:3	720×576 720×487 1440×576 1440×487 1440×483	

Scan mode	Input signal system and scan mode image	
Over Scan		
Aspect: 16:9	1920 × 1080 1280 × 720 720 × 576 720 × 487 1440 × 576 1440 × 487 1440 × 483	 <p data-bbox="1133 238 1295 263">5% mask portion</p>
Aspect: 4:3	720 × 576 720 × 487 1440 × 576 1440 × 487 1440 × 483	 <p data-bbox="1133 476 1295 502">5% mask portion</p>



Troubleshooting

This section may help you isolate the cause of a problem and as a result, eliminate the need to contact your Sony service representative.

Symptom	Assumed causes	Remedy
The picture that you wish to display is not displayed.	The setting of the Input Configuration menu does not correspond to the input signal.	See the Status menu (page 76) to confirm the setting. When the setting is different from the input signal, set in the Input Configuration menu (page 51).
The color is not displayed correctly.	The color temperature is not set correctly.	Set the color temperature in the Color Temp menu (page 53) of the Input Configuration menu.
	The setting of the emulation of the color gamut or the Matrix/Gamma is not correct.	Set in the Color Gamut menu (page 55) or Matrix/Gamma menu (page 54) of the Input Configuration menu.
	Condensation occurs on the RGB sensor surface of the backlight part.	Turn off the power and allow the unit to dry.
The signals are not displayed in the multi display.	The input signals of INPUT 1 and INPUT 2 of one input adaptor are selected.	Install two or more adaptors and use the different input adaptor for signal A and signal B.
	The reference signal is not input (No Sync status).	Input the reference signal.
	The internal signal is selected as signal A. The internal signal is selected as signal B.	The internal signal is not displayed in the multi display.
The signal input from BKM-227W or BKM-229X is not displayed correctly.	The auto chroma/phase/matrix adjustment has not been performed.	Carry out the auto chroma/phase/matrix adjustment to display the signal input from BKM-227W or BKM-229X (page 45).
The pixel zoom does not function.	The native scan mode is not selected.	Set to the native scan mode (page 85).
The marker is not displayed.	The display is set in the multi display or the pixel zoom display.	Set Side by Side to Off in the Function Switch menu (page 63) of the Display Function menu. Set the Pixel Zoom button to off.
	The DVI Computer or the computer signal of HDMI signal is displayed.	The marker is not displayed when the DVI Computer signal or the computer signal of HDMI is input.
	The internal signal is displayed.	The marker is not displayed when the internal signal is input.
	The signal is displayed in H delay mode or V delay mode.	The marker is not displayed in H delay mode or V delay mode.
The signal is not displayed in interlace mode.	The interlace signal is not input.	Input the interlace signal.
	The signal is set to 1080PsF in 1080i/PsF (page 56) of the Input Configuration menu.	Set to 1080i.
	The native scan mode is not selected.	Set to the native scan mode (page 85).
The signal is not displayed in black frame insertion mode.	The signal is displayed in the interlace display mode.	Set Interlace to Off (page 64).
	The 24P or 24PsF signal is displayed.	The signal is not displayed in black frame insertion mode when the 24P or 24PsF signal is input.
	The DVI Computer signal or the computer signal of HDMI is displayed.	The signal is not displayed in the black frame insertion mode when the DVI Computer signal or the computer signal of HDMI is input.

Symptom	Assumed causes	Remedy
The setting is different from the setting in the menu.	The setting has been changed with the function button of the controller after setting in the menu.	The last setting becomes effective.
The function button of the controller does not function.	The setting has been changed in the menu after setting with the function button.	The last setting becomes effective.
The function of the function button of the controller is different from that of the panel display.	Another function has been assigned to the button.	See the Function Key menu (page 79) of the Controller menu to confirm the function assigned to the function button.

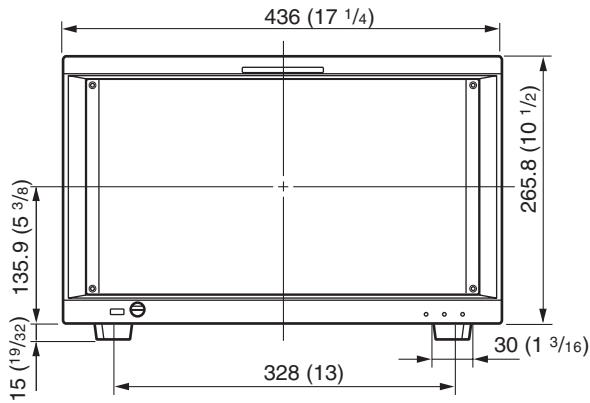


Dimensions

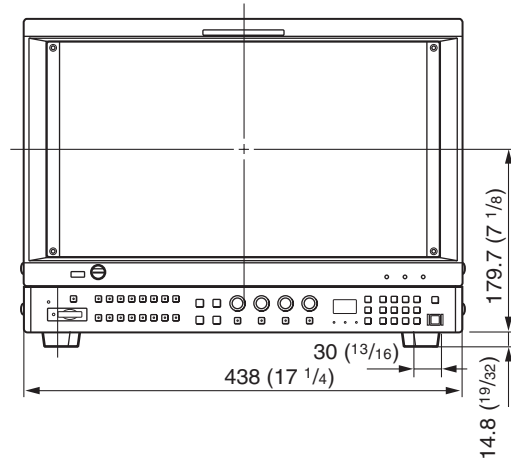
*When the controller is attached with the BKM-39H

Unit: mm (inches)

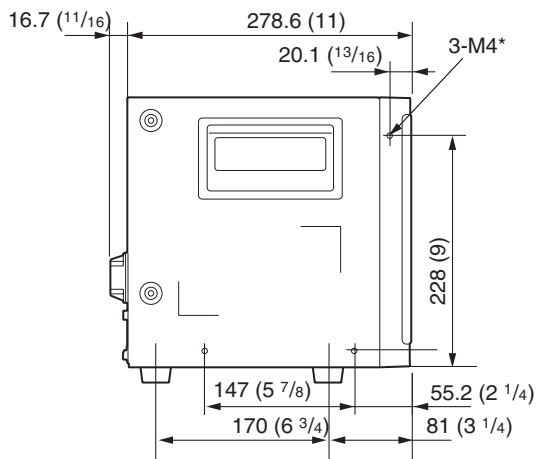
Front



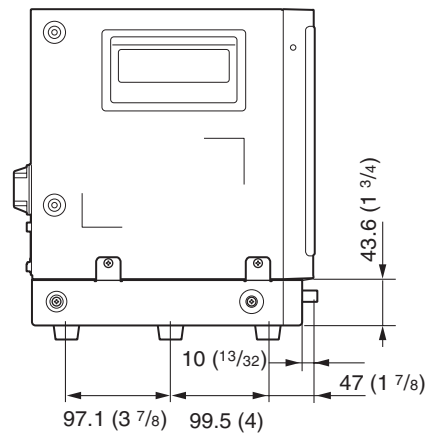
Front



Side

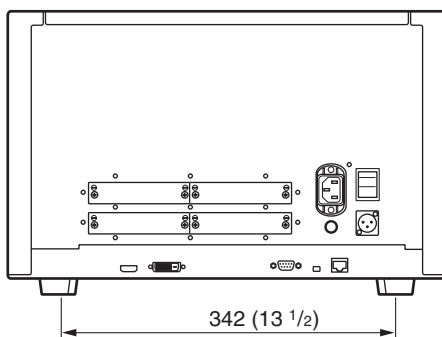


Side

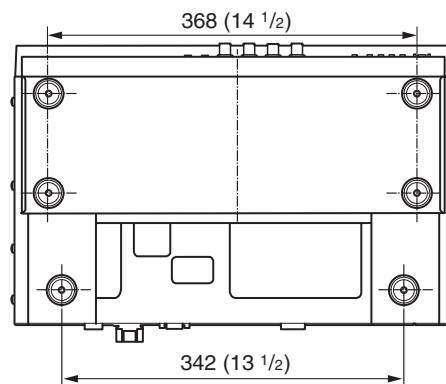


* For attaching the rack mount bracket.

Rear



Bottom



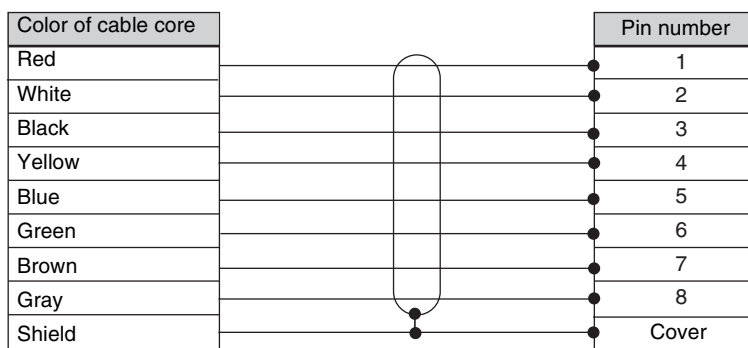
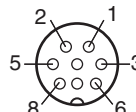
Connection Cable Specifications for Color Temperature Probes

Specified cables are required to connect color temperature probes to the monitor.

The following diagrams show pin assignments to connect the supplied connection cable for color temperature adjustment and optional D-sub 9-pin connector.

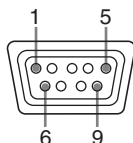
Connection cable for color temperature adjustment (supplied)

Mini DIN 8-pin connector (male)

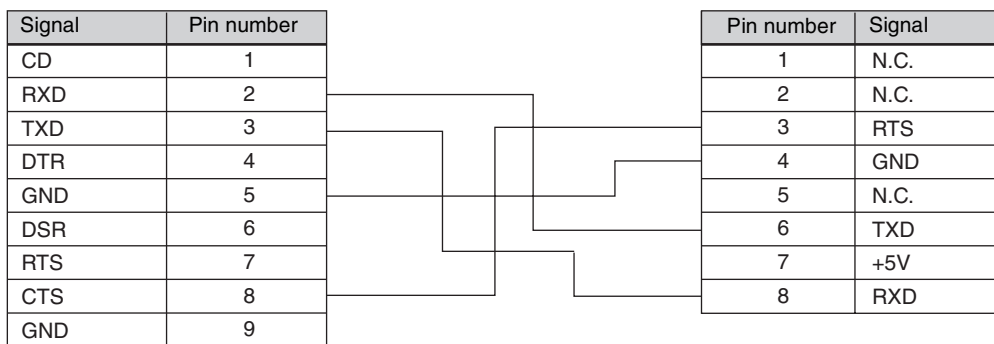
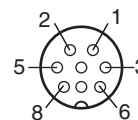


Connection cable for Konica Minolta CA-210 probe

D-sub 9-pin connector (male)
(optional)



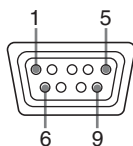
Mini DIN 8-pin connector (male)



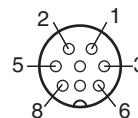
Connection cable for color temperature adjustment (supplied)

Connection cable for DK-Technologies PM 5639/06 probe

D-sub 9-pin connector (male)
(optional)



Mini DIN 8-pin connector (male)



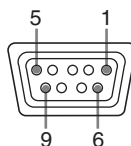
Signal	Pin number
NC	1
RXD	2
TXD	3
NC	4
GND	5
NC	6
NC	7
NC	8
+5V	9

Pin number	Signal
1	NC
2	NC
3	RTS
4	GND
5	NC
6	TXD
7	+5V
8	RXD

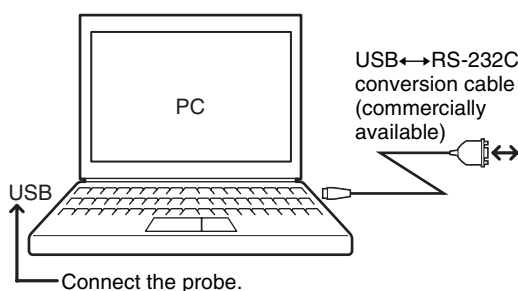
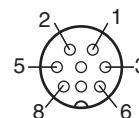
Connection cable for color temperature adjustment (supplied)

Connection cable for X-Rite Eye-One Pro probe

D-sub 9-pin connector (female)
(optional)



Mini DIN 8-pin connector (male)



Signal	Pin number
CD	1
RXD	2
TXD	3
DTR	4
GND	5
DSR	6
RTS	7
CTS	8
GND	9

Pin number	Signal
1	N.C.
2	N.C.
3	RTS
4	GND
5	N.C.
6	TXD
7	+5V
8	RXD

Connection cable for color temperature adjustment (supplied)

Besides the connecting cable, an external PC is required. When the PC is not equipped with a serial port, a USB↔RS-232C conversion cable (commercially available) is required. Connect the probe to the USB connector of the external PC.

Inserting/Ejecting the “Memory Stick”

The BKM-16R Monitor Control Unit has a slot that can take both standard size and Duo size. All products with a slot such as this are equipped with a system which automatically measures the size of an inserted medium. For this reason, both the standard-size “Memory Stick”/ “Memory Stick PRO” and smaller “Memory Stick Duo”/ “Memory Stick PRO Duo” can be used with this product without a Memory Stick Duo adaptor.

When an M2 adaptor is attached, you can use a “Memory Stick Micro” (“M2”)¹⁾.

Proceed as illustrated to insert and eject an optional “Memory Stick”.

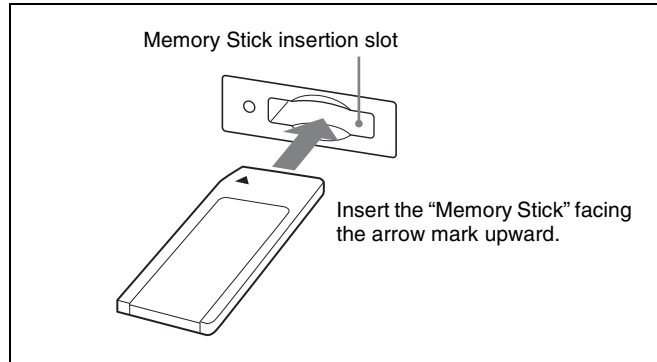
See each menu for information about operations on “Memory Stick” data.

1) “M2” is an abbreviation for “Memory Stick Micro”.

Note

Do not eject the “Memory Stick” while data is being saved or loaded.

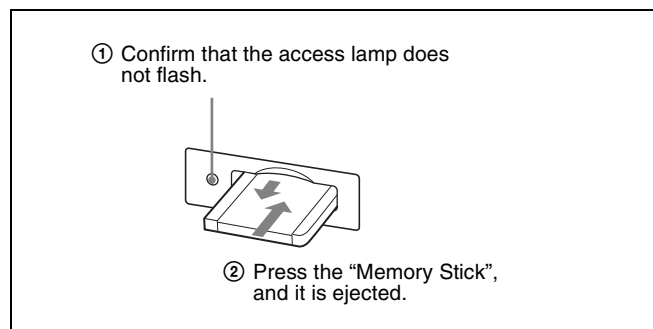
To insert the “Memory Stick”



Notes

- “Memory Stick Duo”/“Memory Stick PRO Duo” can be used without a Memory Stick Duo adaptor.
- When you use a “Memory Stick Micro”, do so after attaching the M2 adaptor (optional).
- When the “Memory Stick Micro” is inserted without the M2 adaptor, the “Memory Stick Micro” may not be removed from the unit.
- Be sure to insert the “Memory Stick” in the correct direction. Forcing the “Memory Stick” in the wrong way may damage it.
- Insert only the “Memory Stick” into the Memory Stick insertion slot. Attempting to insert other objects into the Memory Stick insertion slot may damage the product.

To eject the “Memory Stick”



Notes on “Memory Stick”

What is “Memory Stick”?

“Memory Stick” is a compact, portable and versatile IC (Integrated Circuit) recording medium with a data capacity that exceeds that of a floppy disk. “Memory Stick” is specially designed for exchanging and sharing digital data among “Memory Stick”-compatible products. Because it is removable, “Memory Stick” can also be used for external data storage.

“Memory Stick” is available in three sizes: standard size, compact “Memory Stick Duo” and “Memory Stick Micro” size.

Available types of “Memory Stick”

- “Memory Stick”, “Memory Stick PRO”, “Memory Stick Duo”, “Memory Stick PRO Duo” and “Memory Stick Micro” are used for the BKM-16R.
- The data displayed on this unit is not protected by the MagicGate copyright protection technology because the BKM-16R is not compliant with the “MagicGate” standard.
- Prepare “Memory Stick PRO (High-Speed)” or “Memory Stick PRO Duo (High-Speed)” for using the HD frame capture function (page 89).
- Although an operation check of this product has been performed with a “Memory Stick” of up to 8 GB, please note that operation is not guaranteed for every type of “Memory Stick”.

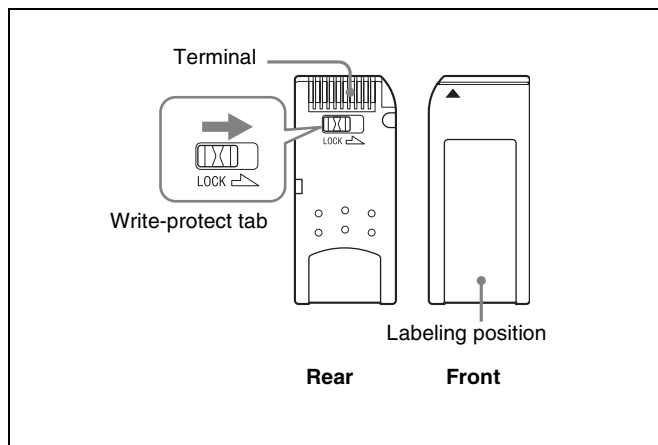
Note on data read/write speed

Data read/write speed may vary depending on the combination of the “Memory Stick” and “Memory Stick” compliant product you use.

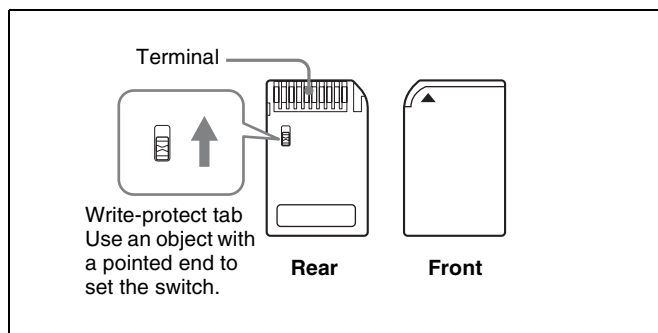
What is MagicGate?

MagicGate is copyright protection technology developed by Sony Corporation.

Before using a “Memory Stick”/“Memory Stick PRO”



Before using a “Memory Stick Duo”/“Memory Stick PRO Duo”




Before using a “Memory Stick Micro”

Attach the M2 adaptor to the “Memory Stick Micro” to insert into the slot of the controller.

Notes

- You cannot record or erase data when the write-protect tab on the “Memory Stick” is set to LOCK.
- Image data may be damaged in the following cases:
 - If you remove the “Memory Stick”, or turn the power off when the access lamp is lit or flashing
 - If you use a “Memory Stick” near static electricity or a magnetic field
- When writing in the memory area, do not put strong pressure on the pen.
- We recommend backing up important data.
- Do not attach anything other than the supplied label to the “Memory Stick” labeling position.
- Attach the label so that it does not stick out beyond the labeling position.
- Carry and store the “Memory Stick” in its case.
- Do not touch the connector of the “Memory Stick” with anything, including your finger or metallic objects.
- Do not strike, bend, or drop the “Memory Stick”.
- Do not disassemble or modify the “Memory Stick”.

- Do not allow the “Memory Stick” to get wet.
- Do not use or store the “Memory Stick” in a location that is:
 - Extremely hot, such as in a car parked in the sun
 - Under direct sunlight
 - Very humid or subject to corrosive substances
- Do not insert multiple “Memory Stick” cards at the same time. This may cause damage to the product.
- When you use “Memory Stick Duo”/“Memory Stick PRO Duo” with this product, be sure to insert it in the right direction. Inserting it in the wrong direction may cause damages to the product.
- “Memory Stick Duo”/“Memory Stick PRO Duo”/“Memory Stick Micro” and M2 duo size adaptor should be kept away from small children to prevent them from accidentally swallowing it.
- If the “Memory Stick Micro” attached to the M2 adaptor is attached to the Memory Stick Duo adaptor and inserted in the slot, the “Memory Stick Micro” may not function.
- Up to 1000 files can be memorized in one “Memory Stick”. When more than 1000 files are created, the warning “Too many files” is displayed. Delete an unused file in the Delete menu (page 75) of the File Management menu.
- Up to 20 characters can be used for the file name. When more than 20 characters are used for the file name, the file is not displayed.
- Use the machine and application corresponding to the “Memory Stick” for initialization of the “Memory Stick”. When Windows Explorer is used for initialization, a format error is caused and the “Memory Stick” is not usable for the monitor.
- When the data in the folder for the application software is copied or edited with the function of Windows, the data may not be reproduced.

“Memory Stick”, “Memory Stick PRO”, “Memory Stick Duo”, “Memory Stick PRO Duo”, “Memory Stick Micro”, “M2” and  are trademarks or registered trademarks of Sony Corporation.

Windows is a registered trademark of Microsoft Corporation in the United States and/or other countries.

It is against the copyright law to use any audio or picture you recorded without prior consent of the copyright holder. Accordingly, “Memory Stick” with content protected image or data can be only used within the law.

Menu Index

The menu index shows the principal menu items provided with this monitor in alphabetical sequence. For your reference, each menu item is followed by the page of this

manual on which the item is explained and the main menu that the item belongs to.

	Menu Item	Page	Main menu	
Number	1 Pin to 8 Pin	69	System Configuration menu	
	1080i/PsF	56	Input Configuration menu	
	16:9	63	Display Function menu	
A	Adjustment	45	Adjustment menu	
	ALM Hold Reset	66	Display Function menu	
	Aperture	64	Display Function menu	
	Aperture Value	58	Display Setting menu	
	Apply Password	72	System Configuration menu	
	Area Marker 1		60	Display Function menu
			65	Display Function menu
	Area Marker 2		61	Display Function menu
			65	Display Function menu
	Aspect Blanking	59	Display Function menu	
	Aspect Marker		59	Display Function menu
			65	Display Function menu
	Audio CH	71	System Configuration menu	
	Audio Level Meter		65	Display Function menu
			71	System Configuration menu
	Auto		45	Adjustment menu
			48	Adjustment menu
Auto Adjust		45	Adjustment menu	
		48	Adjustment menu	
B	B Off	64	Display Function menu	
	Back Up System Data	75	File Management menu	
	Backlight	77	Status menu	
	Betacam Setup Level	55	Input Configuration menu	
	Black Detail Mode	65	Display Function menu	
	Black Detail Setting	62	Display Function menu	
	Black Frame Insertion	64	Display Function menu	
	Blue Only	64	Display Function menu	
C	Capture	62	Display Function menu	
	Center Marker	61	Display Function menu	
	CH Name	70	System Configuration menu	
	CH No	70	System Configuration menu	
	CH Status	76	Status menu	
	Change Password	71	System Configuration menu	
	Channel Name	55	Input Configuration menu	
	Checkerboard	66	Display Function menu	

	Menu Item	Page	Main menu
	Chroma Up	64	Display Function menu
	Clip Indicator	62	Display Function menu
	Closed Caption	70	System Configuration menu
	Color Bar	46	Adjustment menu
	Color Gamut	55	Input Configuration menu
	Color Temp	53	Input Configuration menu
	Color Temp Adj	47	Adjustment menu
	Comb	64	Display Function menu
	Component Level	55	Input Configuration menu
	Contrast Hold	48	Adjustment menu
		49	Adjustment menu
	Controller	78	Controller menu
	Controller Status	77	Status menu
	Controller Upgrade	81	Controller menu
	Copy From	46	Adjustment menu
		49	Adjustment menu
		56	Input Configuration menu
		57	Display Setting menu
		61	Display Function menu
		74	File Management menu
D	Data Maintenance	75	File Management menu
	Date/Time	72	System Configuration menu
	Default CH	70	System Configuration menu
	Delete	62	Display Function menu
		75	File Management menu
	Display Function	59	Display Function menu
	Display Setting	57	Display Setting menu
E	Emulation	55	Input Configuration menu
	External Sync	64	Display Function menu
F	F1 to F16	80	Controller menu
	File Management	74	File Management menu
	Filter Switch	58	Display Setting menu
	Format	51	Input Configuration menu
		70	System Configuration menu
	FPGA Upgrade	73	System Configuration menu
	Function Key	79	Controller menu
	Function Switch	63	Display Function menu
G	G Off	64	Display Function menu
	Gamma	57	Display Setting menu
	Group ID	67	System Configuration menu
H	H Delay	63	Display Function menu
	H Position	61	Display Function menu
	H Shift	50	Adjustment menu
	H Shift Offset	55	Input Configuration menu

	Menu Item	Page	Main menu
	HDMI Auto	53	Input Configuration menu
		55	Input Configuration menu
		56	Input Configuration menu
	HDMI Status	77	Status menu
I	Input Configuration	51	Input Configuration menu
	Input Information	70	System Configuration menu
	Input No	53	Input Configuration menu
	Interlace	64	Display Function menu
	Internal Signal	63	Display Function menu
K	Kernel Upgrade	72	System Configuration menu
		81	Controller menu
	Key Protect	82	Key Protect menu
L	Load	62	Display Function menu
	L/R Switch	66	Display Function menu
M	Maintenance	73	System Configuration menu
	Manual	47	Adjustment menu
	Manual Adjust	46	Adjustment menu
		47	Adjustment menu
	Marker	65	Display Function menu
	Marker Setting	59	Display Function menu
	Marker Preset	55	Input Configuration menu
	Matrix	57	Display Setting menu
	Matrix/Gamma	54	Input Configuration menu
	Model Name	77	Status menu
	Monitor ID	67	System Configuration menu
	Monitor ID Display	81	Controller menu
	Monitor Upgrade	72	System Configuration menu
	Mono	64	Display Function menu
N	Native Scan	63	Display Function menu
	Native Scan Mode	58	Display Setting menu
	Network	67	System Configuration menu
		78	Controller menu
	Network Setting	67	System Configuration menu
		78	Controller menu
	Network Switch	77	Status menu
	NTSC Comb Filter	58	Display Setting menu
	NTSC Setup Level	55	Input Configuration menu
O	On Screen Set	70	System Configuration menu
	Operation Time	77	Status menu
	Original Value	47	Adjustment menu
	OSD Level	71	System Configuration menu
P	P&P Setting	62	Display Function menu
	Parallel Remote	68	System Configuration menu
	Password	71	System Configuration menu
	Peak Hold	71	System Configuration menu

	Menu Item	Page	Main menu
	Peak White Control	58	Display Setting menu
	Picture Adj	45	Adjustment menu
	Picture Preset	53	Input Configuration menu
	Pixel Zoom Setting	62	Display Function menu
	Position Adj	50	Adjustment menu
	Power	70	System Configuration menu
	Power On Status	70	System Configuration menu
	Preset Value	46	Adjustment menu
		49	Adjustment menu
	Probe	49	Adjustment menu
	Protocol Setting	68	System Configuration menu
		79	Controller menu
R	R Off	64	Display Function menu
	Restore System Data	75	File Management menu
	Rename	62	Display Function menu
	Restore Factory Data	46	Adjustment menu
		50	Adjustment menu
	RGB Range	56	Input Configuration menu
S	Save To	74	File Management menu
	Scan Mode	63	Display Function menu
		70	System Configuration menu
	Scan Mode Skip	72	System Configuration menu
	Screen Aspect	53	Input Configuration menu
	SDI Payload ID Status	77	Status menu
	Serial No	77	Status menu
	Service 608	71	System Configuration menu
	Service 708	71	System Configuration menu
	Side by Side	62	Display Function menu
		65	Display Function menu
	Signal	47	Adjustment menu
	Slot No	53	Input Configuration menu
	Slot Status Option 1 to Option 4	76	Status menu
	SNMP Setting	67	System Configuration menu
		78	Controller menu
	Software Upgrade	72	System Configuration menu
		81	Controller menu
	Software Version	77	Status menu
	Standby Mode	70	System Configuration menu
	Status	46	Adjustment menu
		76	Status menu
	Sync Mode	53	Input Configuration menu
	System Configuration	67	System Configuration menu
T	Target Color Temp	48	Adjustment menu
	Target Luminance	49	Adjustment menu

	Menu Item	Page	Main menu
	Time Code	66	Display Function menu
		71	System Configuration menu
	Transparency	71	System Configuration menu
	Type	71	System Configuration menu
U	User Data	57	Display Setting menu
	User Matrix/Gamma	57	Display Setting menu
V	V Delay	63	Display Function menu
	V Position	61	Display Function menu
	V Shift	50	Adjustment menu
	VITC/LTC	71	System Configuration menu
X	x	48	Adjustment menu
Y	y	48	Adjustment menu
Z	Zebra Pattern	62	Display Function menu



The material contained in this manual consists of information that is the property of Sony Corporation and is intended solely for use by the purchasers of the equipment described in this manual.

Sony Corporation expressly prohibits the duplication of any portion of this manual or the use thereof for any purpose other than the operation or maintenance of the equipment described in this manual without the express written permission of Sony Corporation.

For Customer in China

根据中华人民共和国信息产业部第39号令《电子信息产品污染控制管理办法》及标准中要求的“有毒有害物质或元素名称及含量”等信息，本产品相关信息请参考以下链接：

<http://pro.sony.com.cn>



4155366130

Sony Corporation

<http://www.sony.net/>

PVM-L1700 (WW)
4-155-366-13(1)

Printed on recycled paper.

Printed in Japan
2010.08 08
© 2009