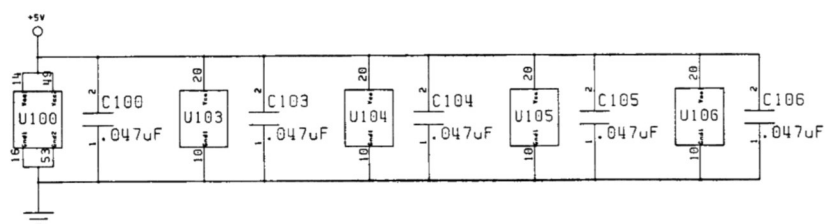
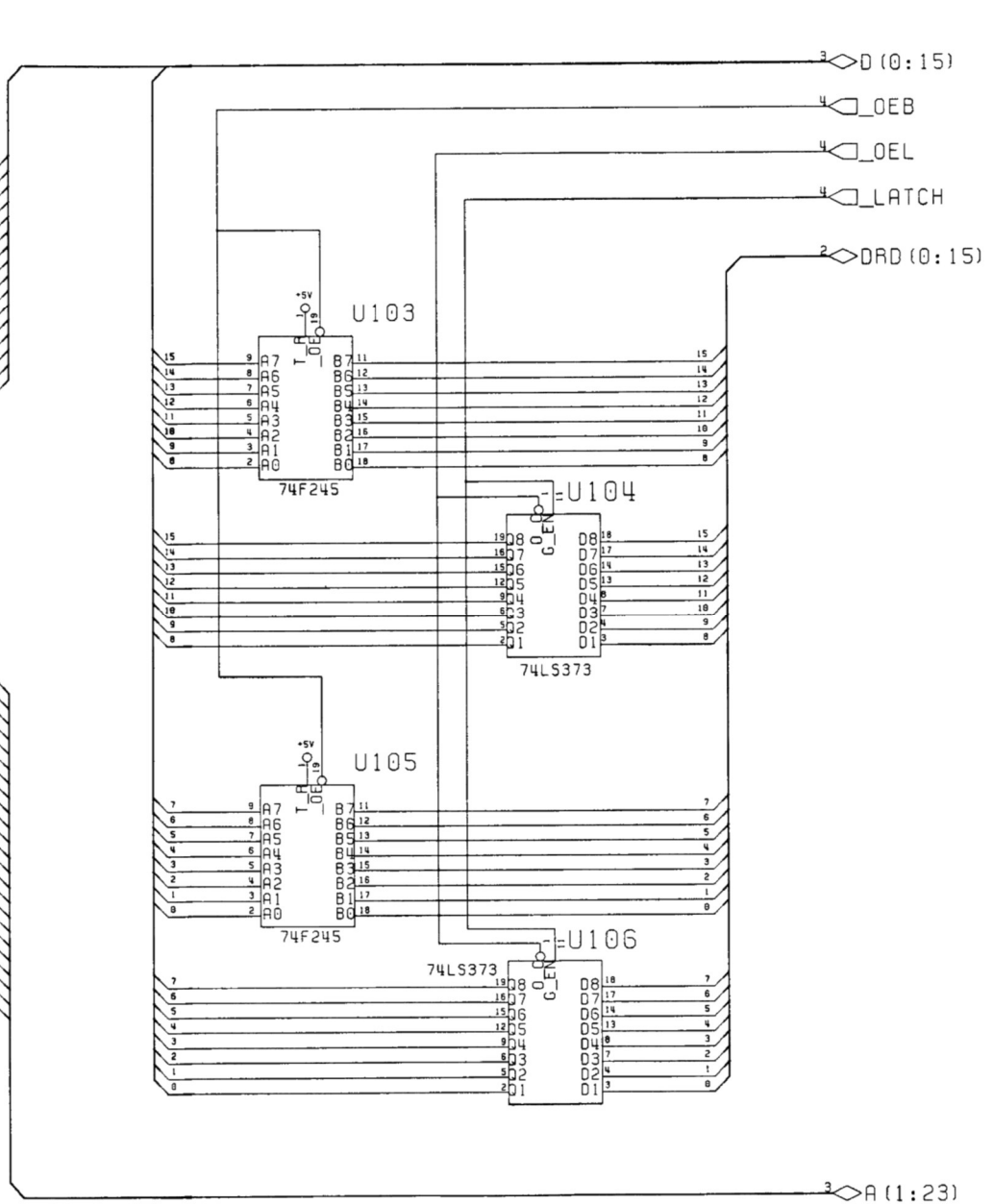
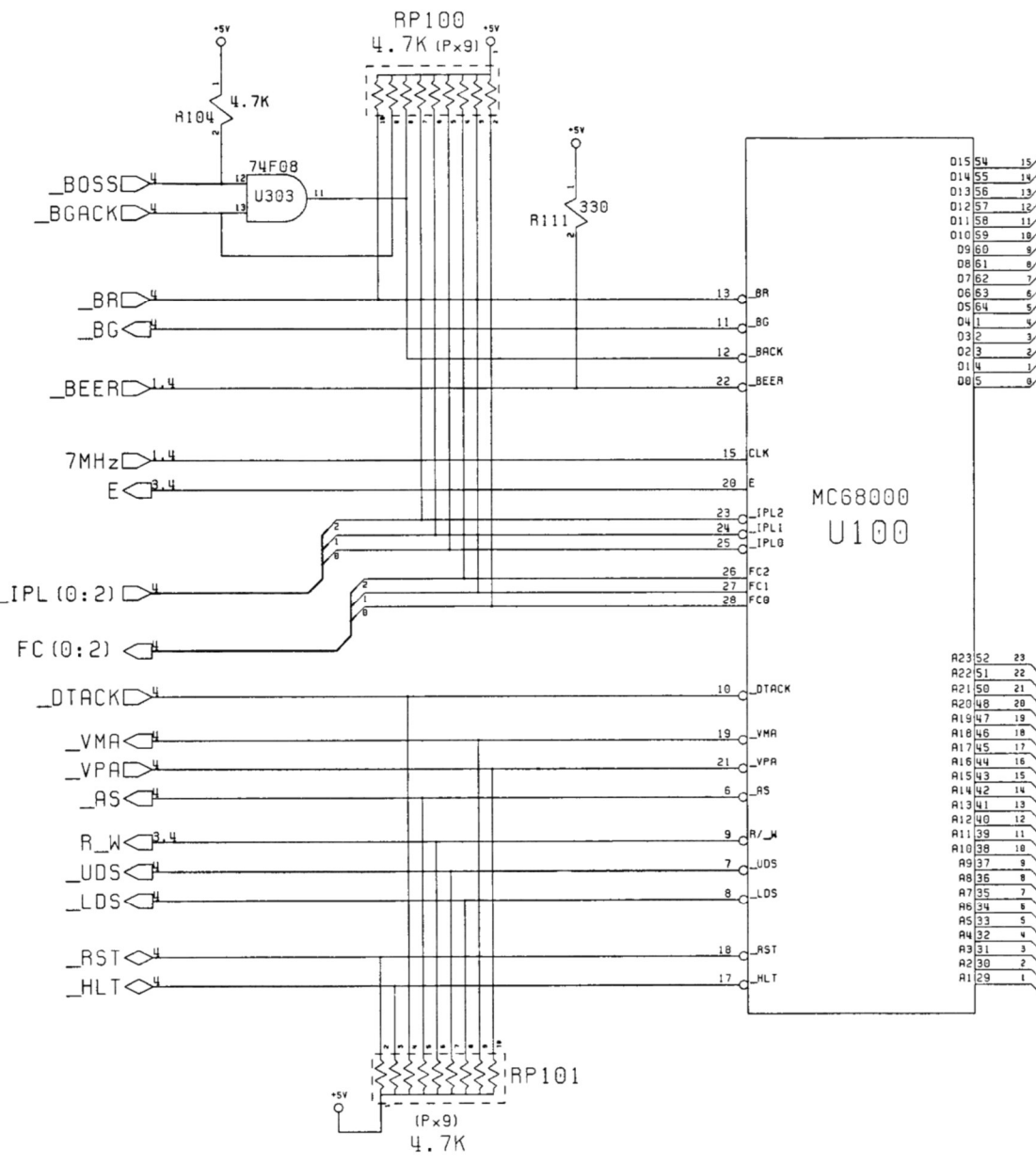
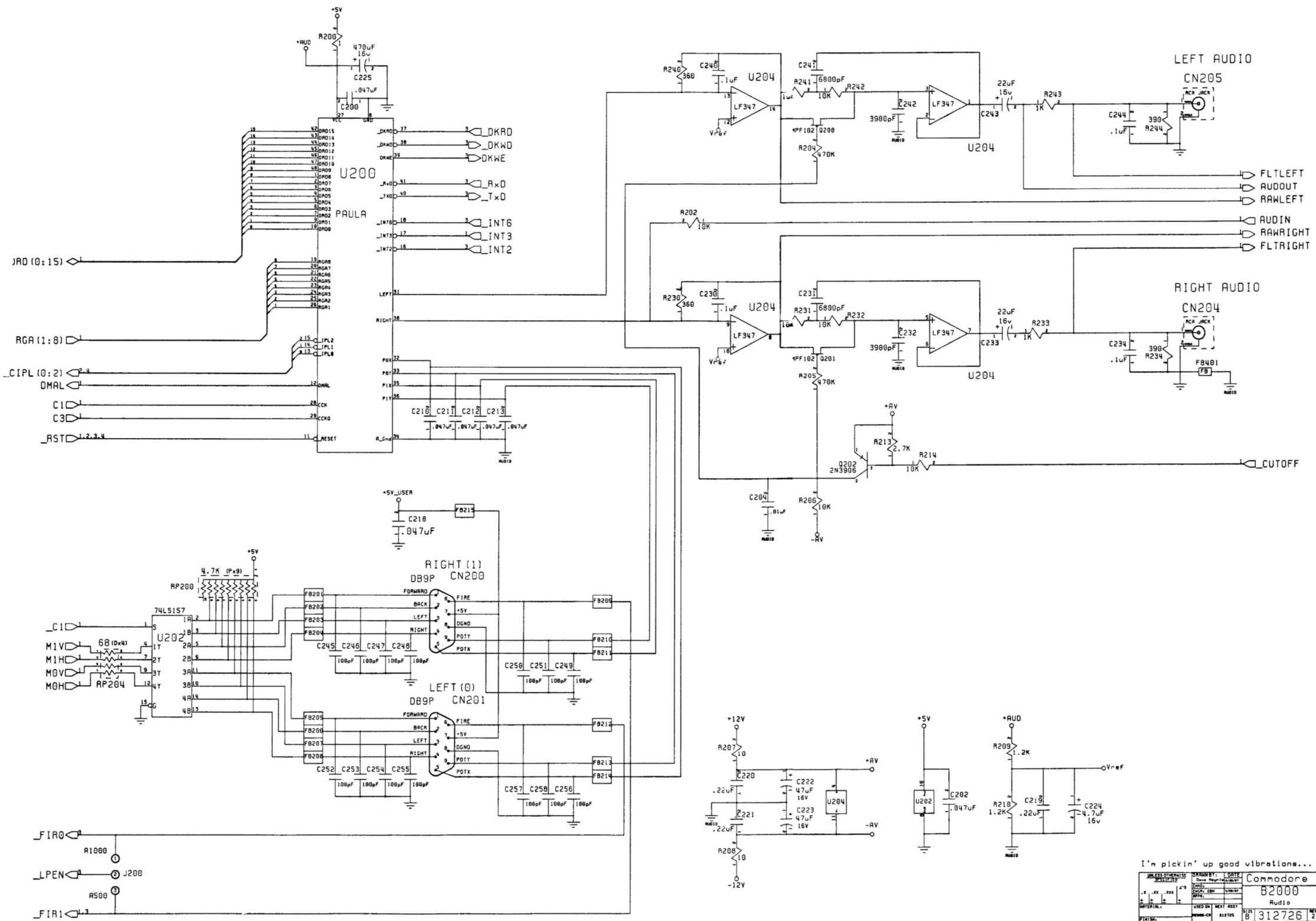


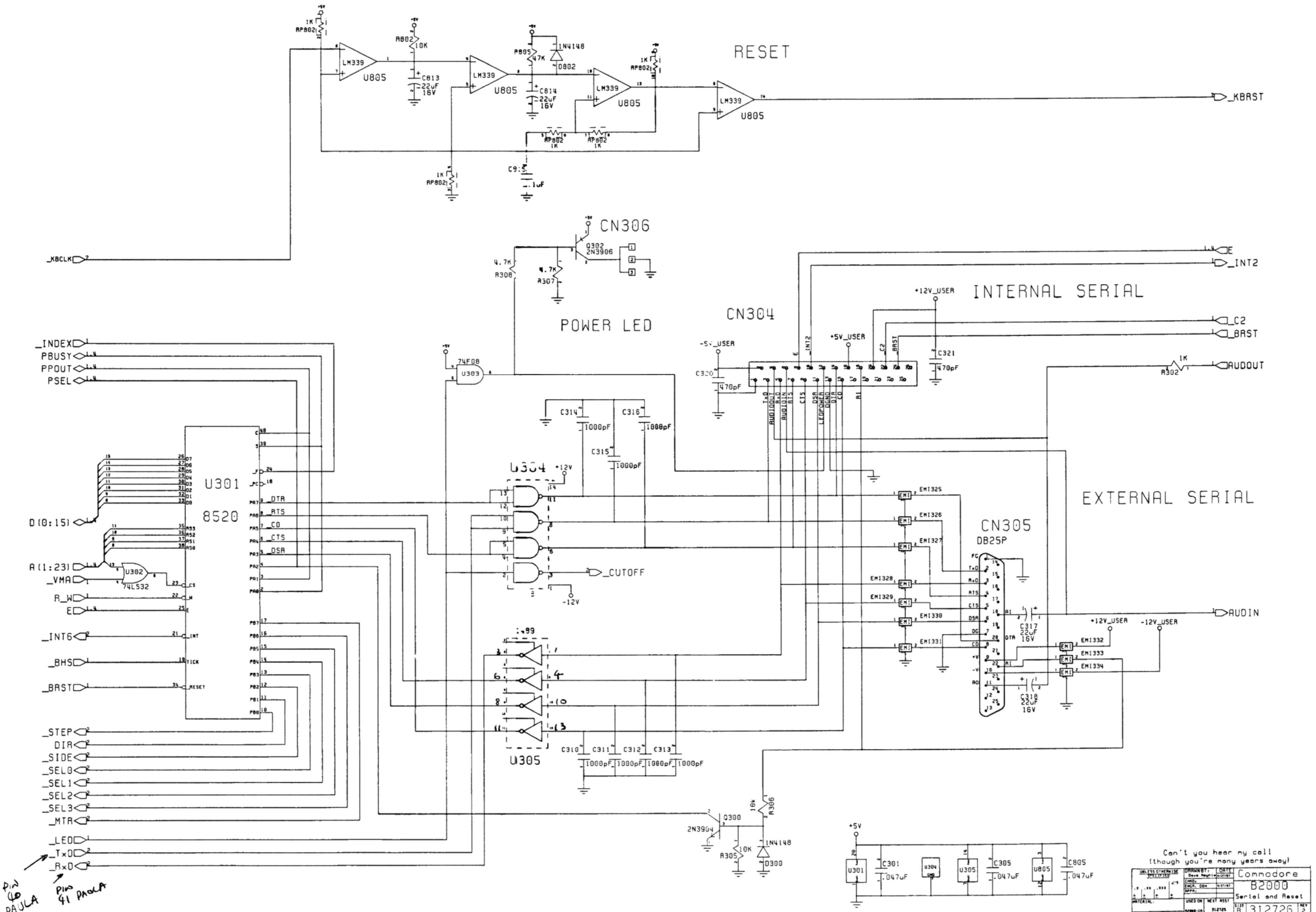
A/W 312723 REV 6
 PCB ASSY 312720
 FAB DWG 312722

© COPYRIGHT -
 © COMMODORE 1988

A2000 Board Layout #312723, Rev. 6







RESET

_KBRST

_KBCCLK

POWER LED

INTERNAL SERIAL

EXTERNAL SERIAL

U301
8520

U304

CN305
0825P

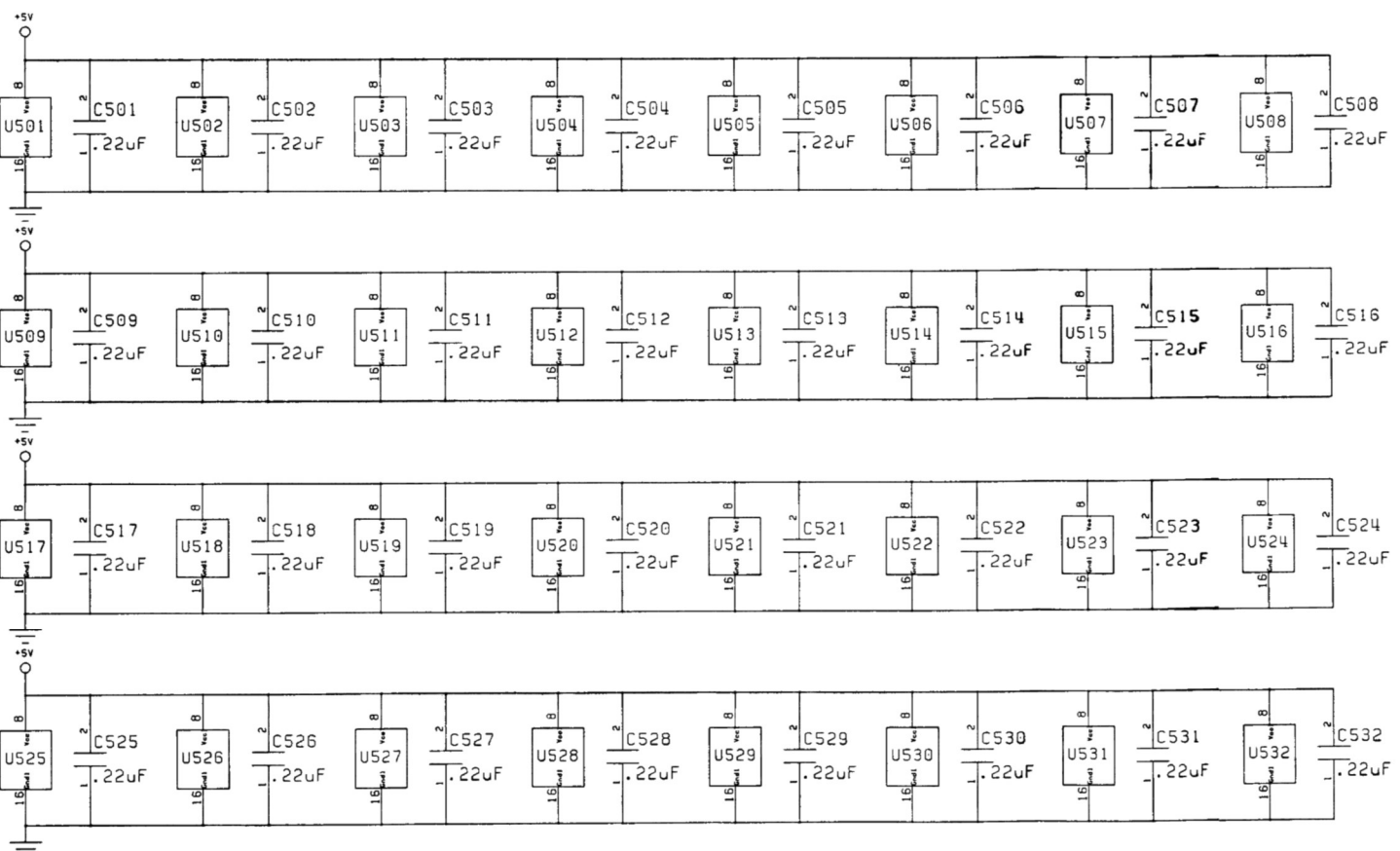
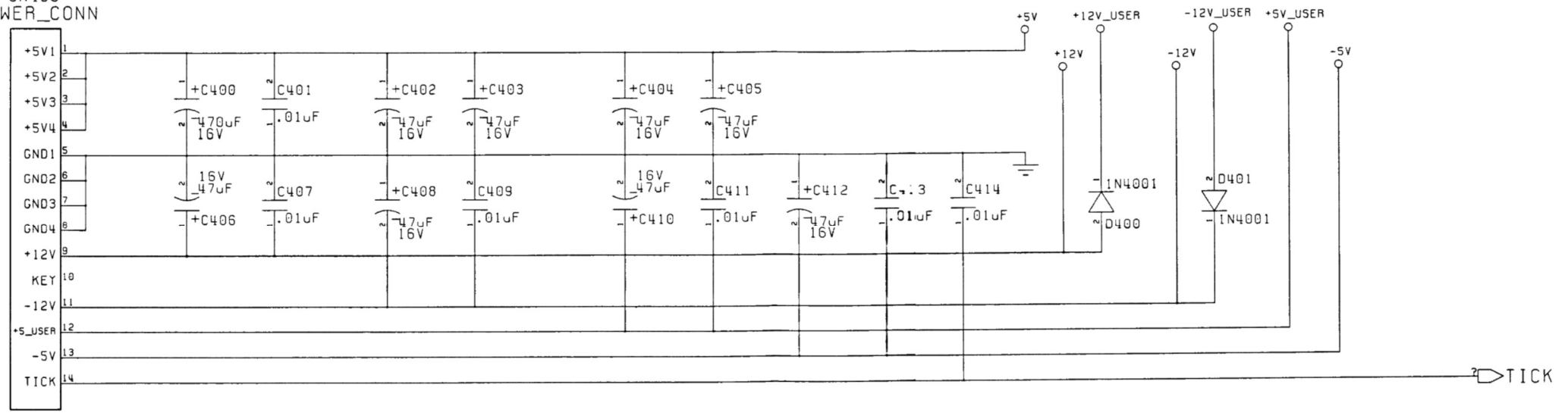
U305

Can't you hear my call
(though you're many years away)

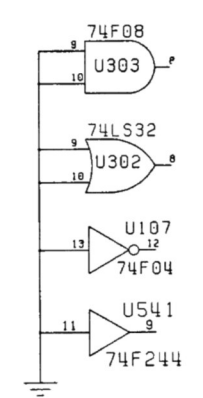
UNLESS OTHERWISE SPECIFIED	DRAWN BY: DATE	Comodore
REVISION	DATE	B2000
DATE	DATE	Serial and Reset
DATE	DATE	8/31/2726
DATE	DATE	2
DATE	DATE	SCALE SHEET 3 OF 12

Pin 40 PAULA
Pin 41 PAULA

CN400
POWER_CONN

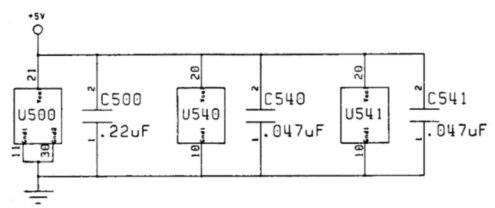
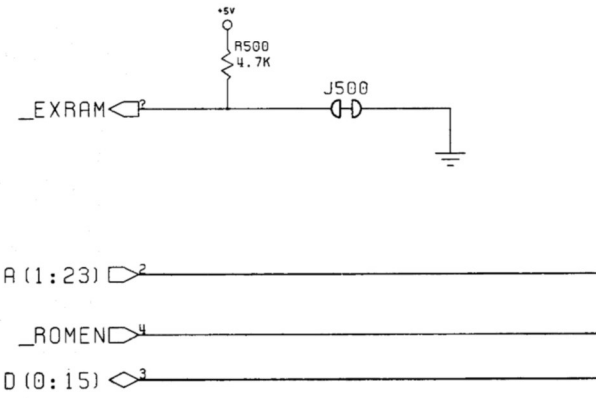
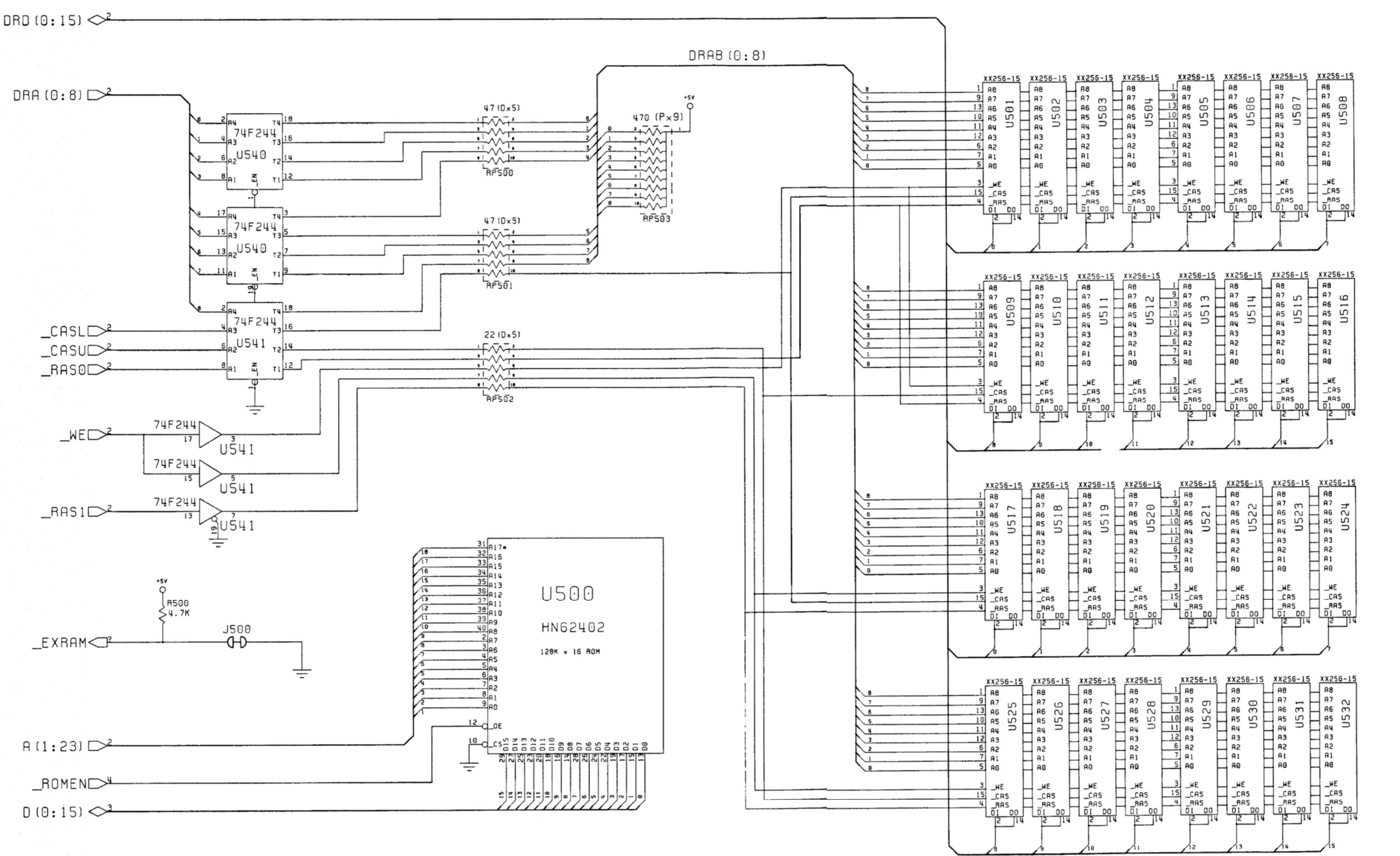


SPARES



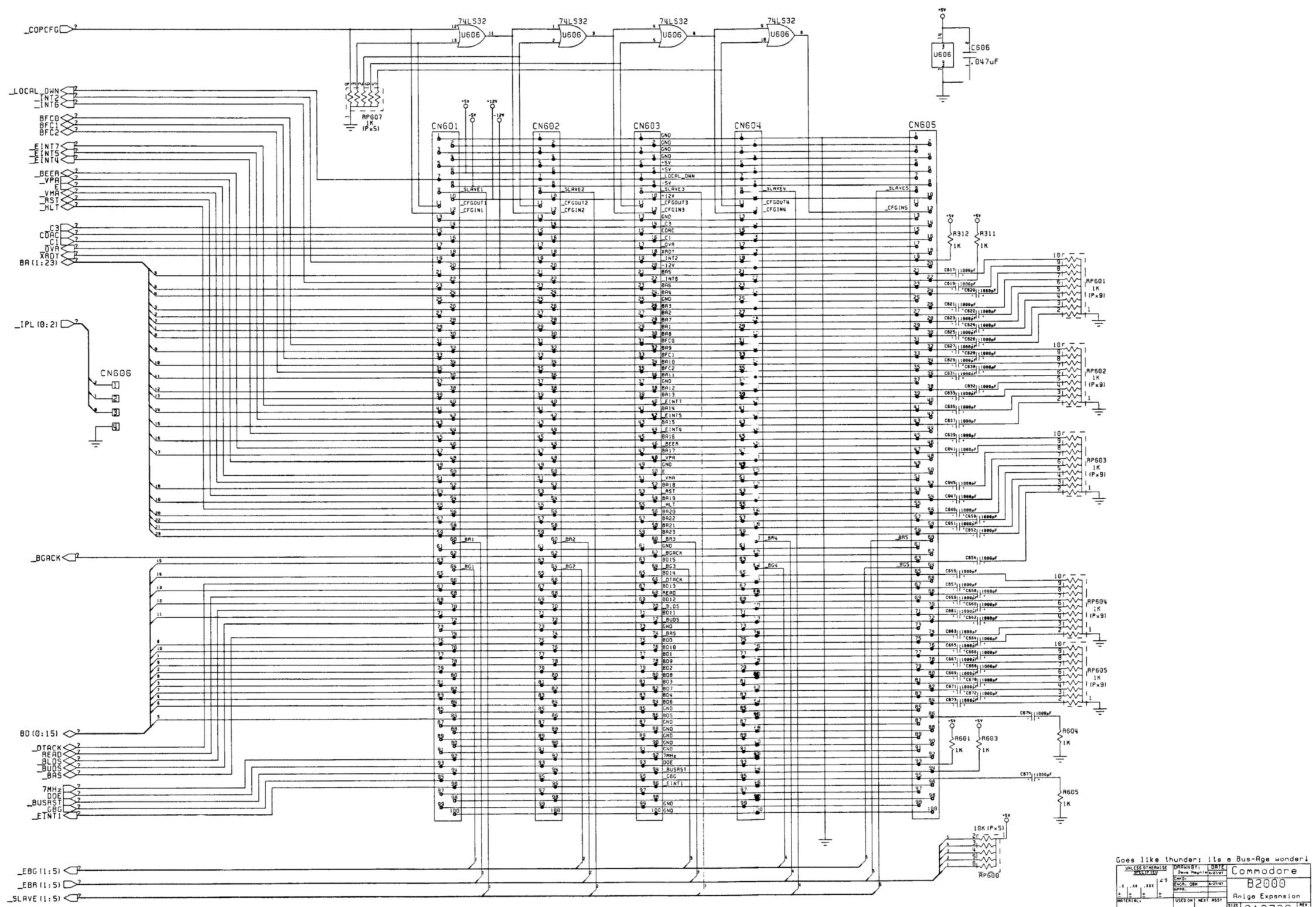
Baby, we were born to run...

UNLESS OTHERWISE SPECIFIED		DRAWN BY: Dave Mayne	DATE: 4/27/87	Commodore	
.X	.XX	.XXX	LS	CHKD:	
±	±	±	±	ENGR: DBM	4/27/87
MATERIAL:		USED ON NEXT ASSY:		B2000	
FINISH:		A2800-CN	312725	Power	
				SIZE	REV
				B	2
				SCALE	SHEET 4 OF 12



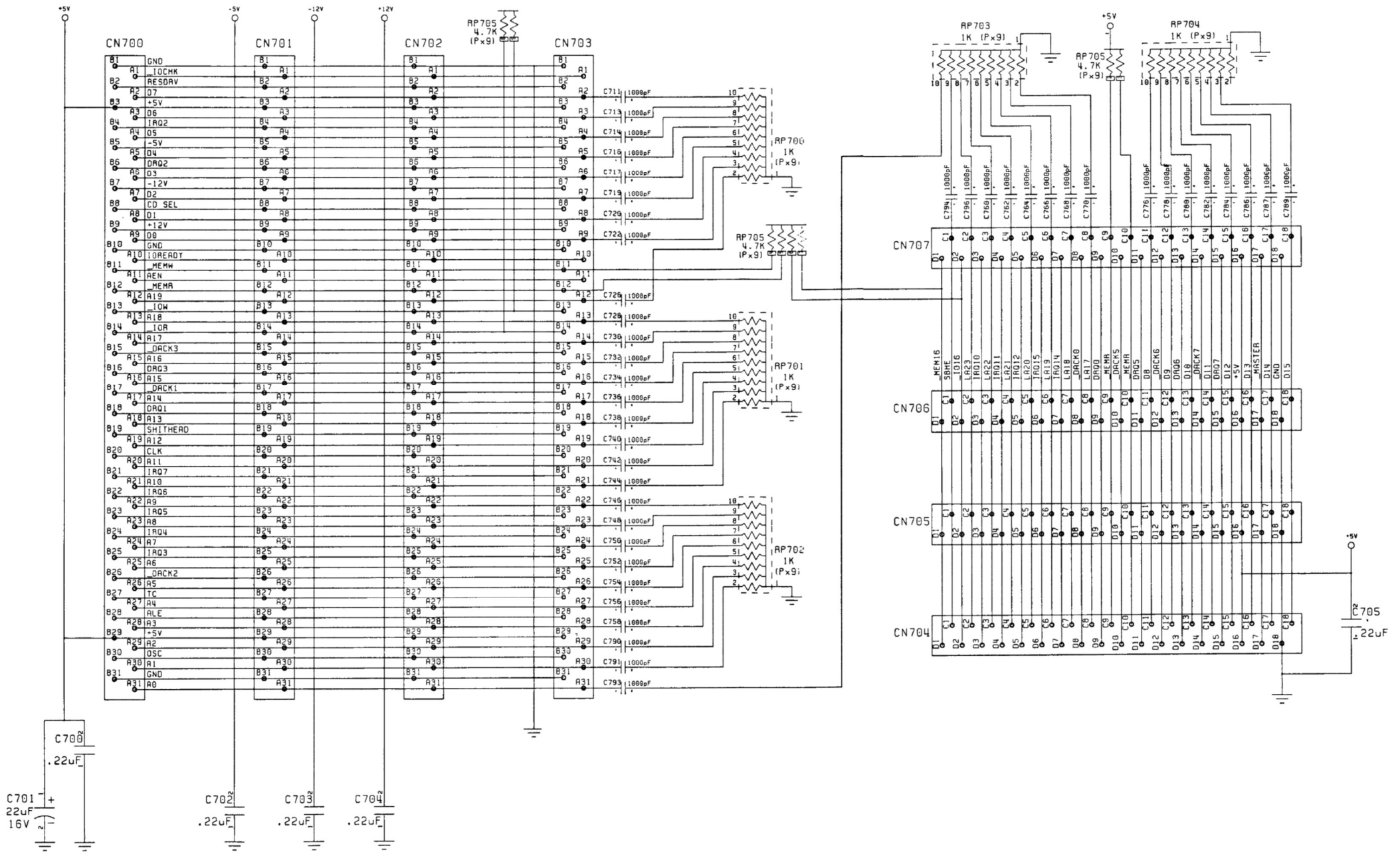
Memories (all alone in the moonlight)

UNLESS OTHERWISE SPECIFIED:	DRAWN BY: Dave Reynolds	DATE: 4/27/87	Commodore B2000 Memory
.X .XX .XXX	ENGR: DBH	APPR: [Signature]	
MATERIAL:	USED ON: A2000-CP	NEXT ASSY: 312725	SIZE: B
FINISH:			SCALE: SHEET 5 OF 12



IBM 8 BIT EXPANSION BUS

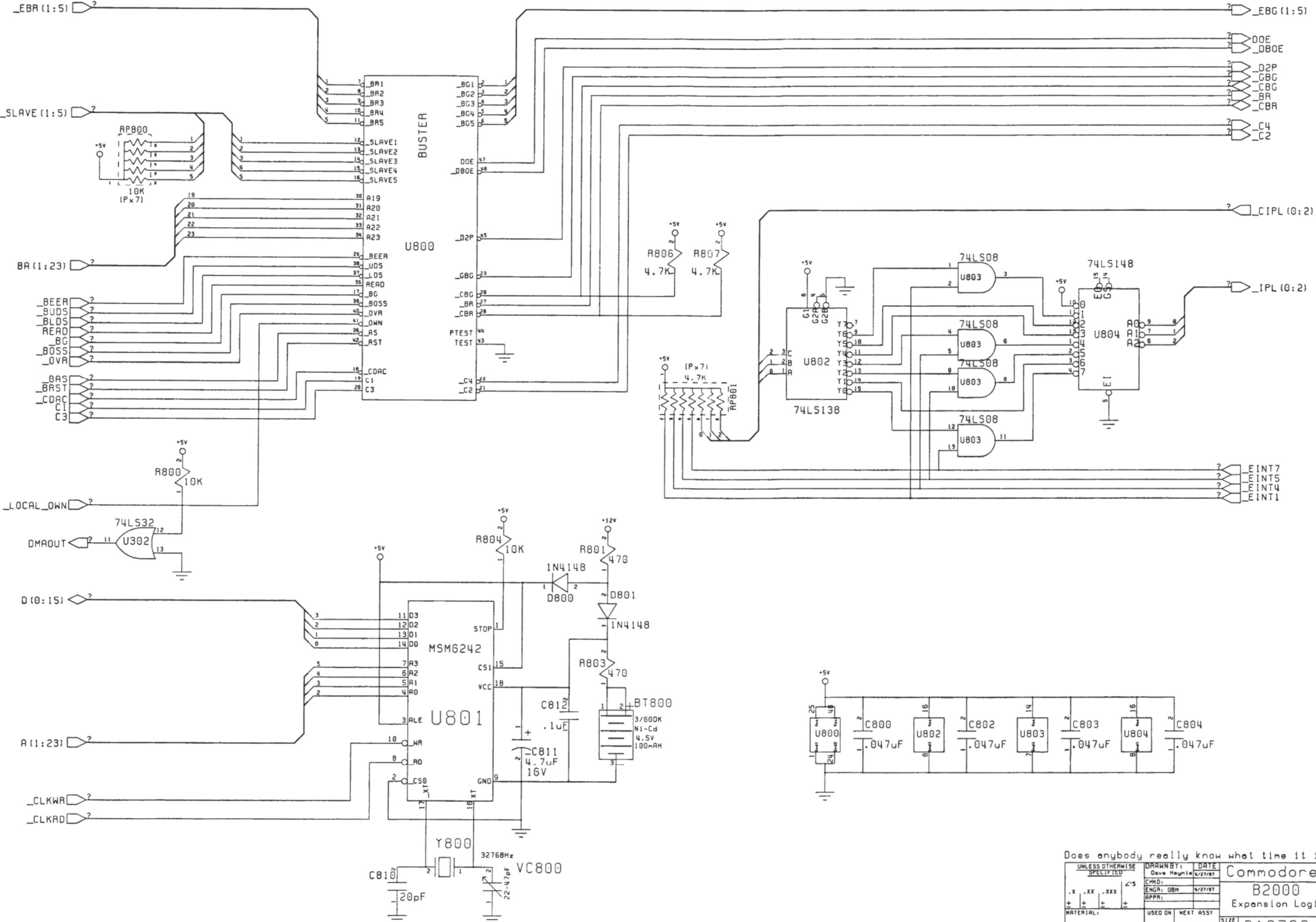
IBM 16 BIT EXTENDED BUS



I wait in this place,
where the sun never shines

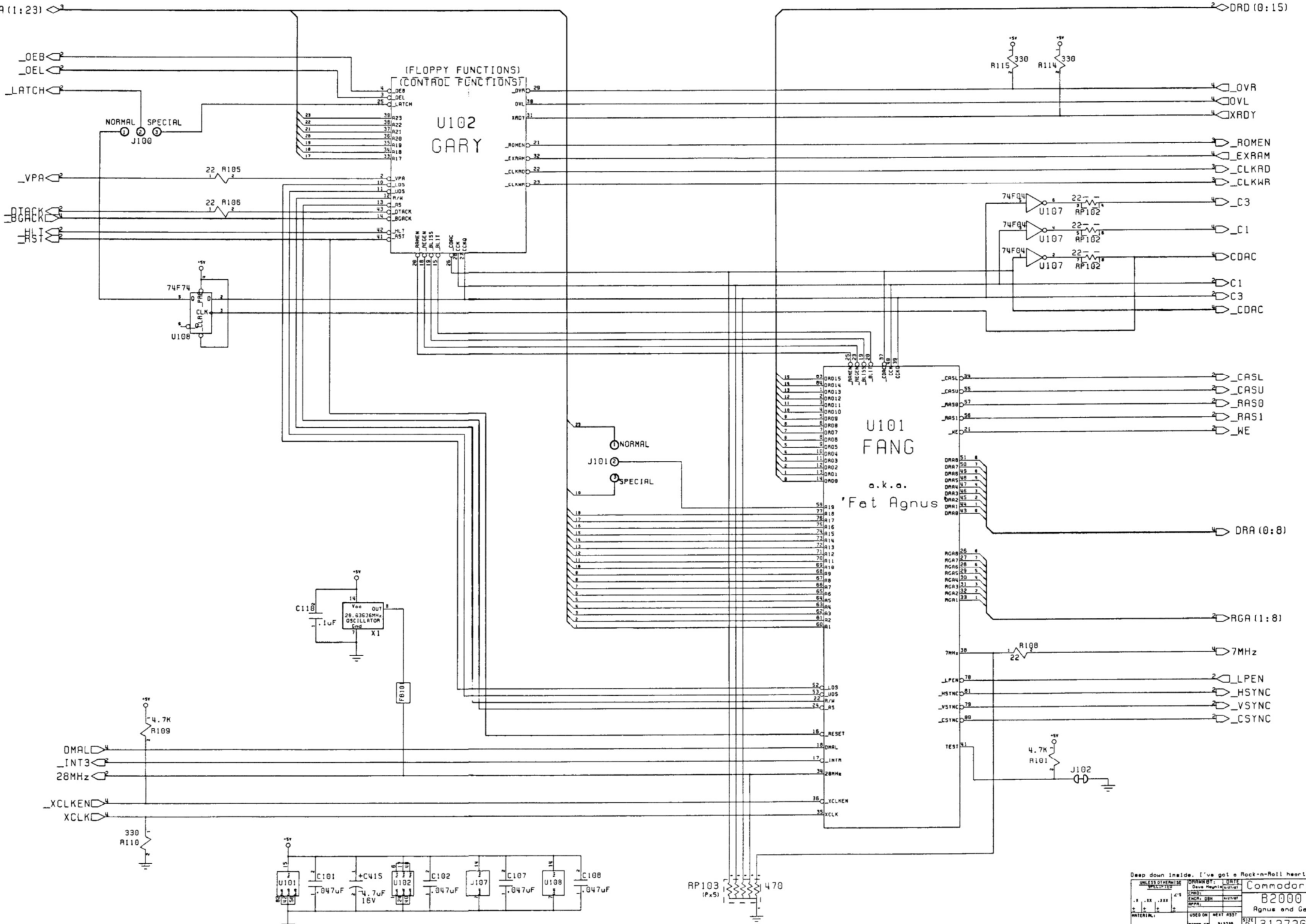
UNLESS OTHERWISE SPECIFIED		DRAWN BY: Dave Haynie	DATE: 4/27/87
.X .XX .XXX		CHKD: DBM	4/27/87
+ + +		APPR:	
MATERIAL:		USED ON NEXT ASST	SIZE
FINISH:		A2808-CA 312725	B 312726
			REV 2
			SCALE SHEET 7 OF 12

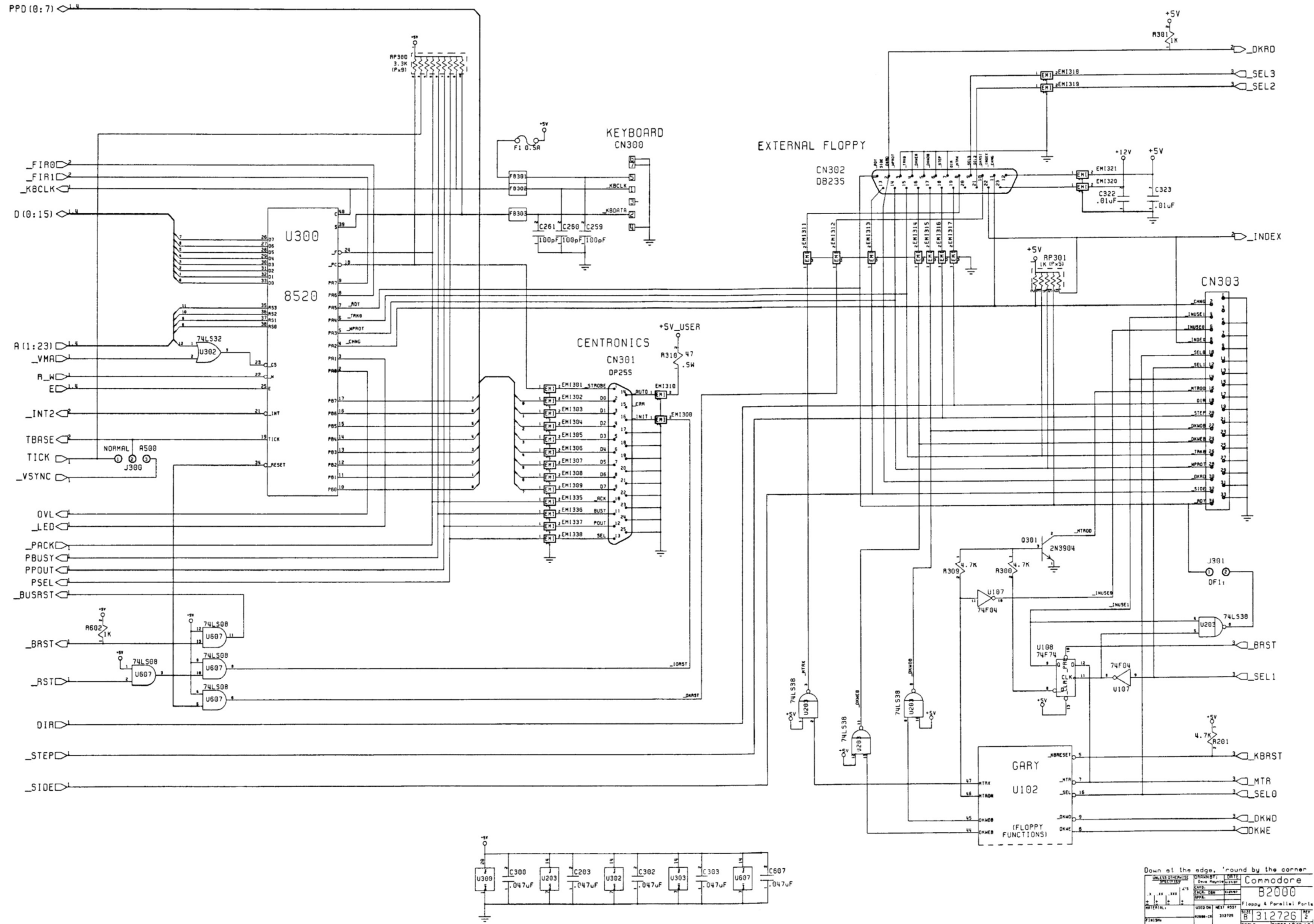
Commodore
B2000
IBM PC Bus

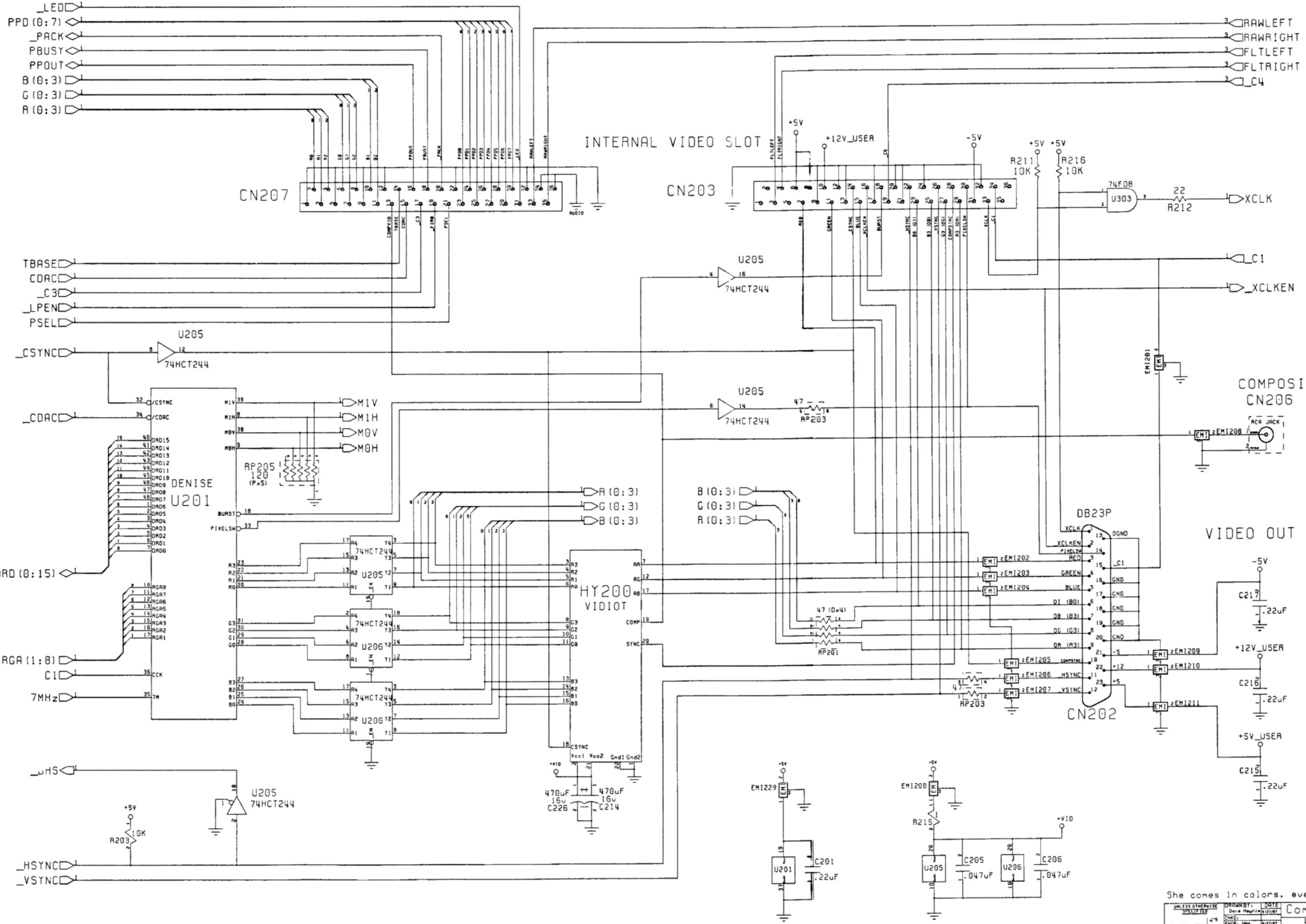


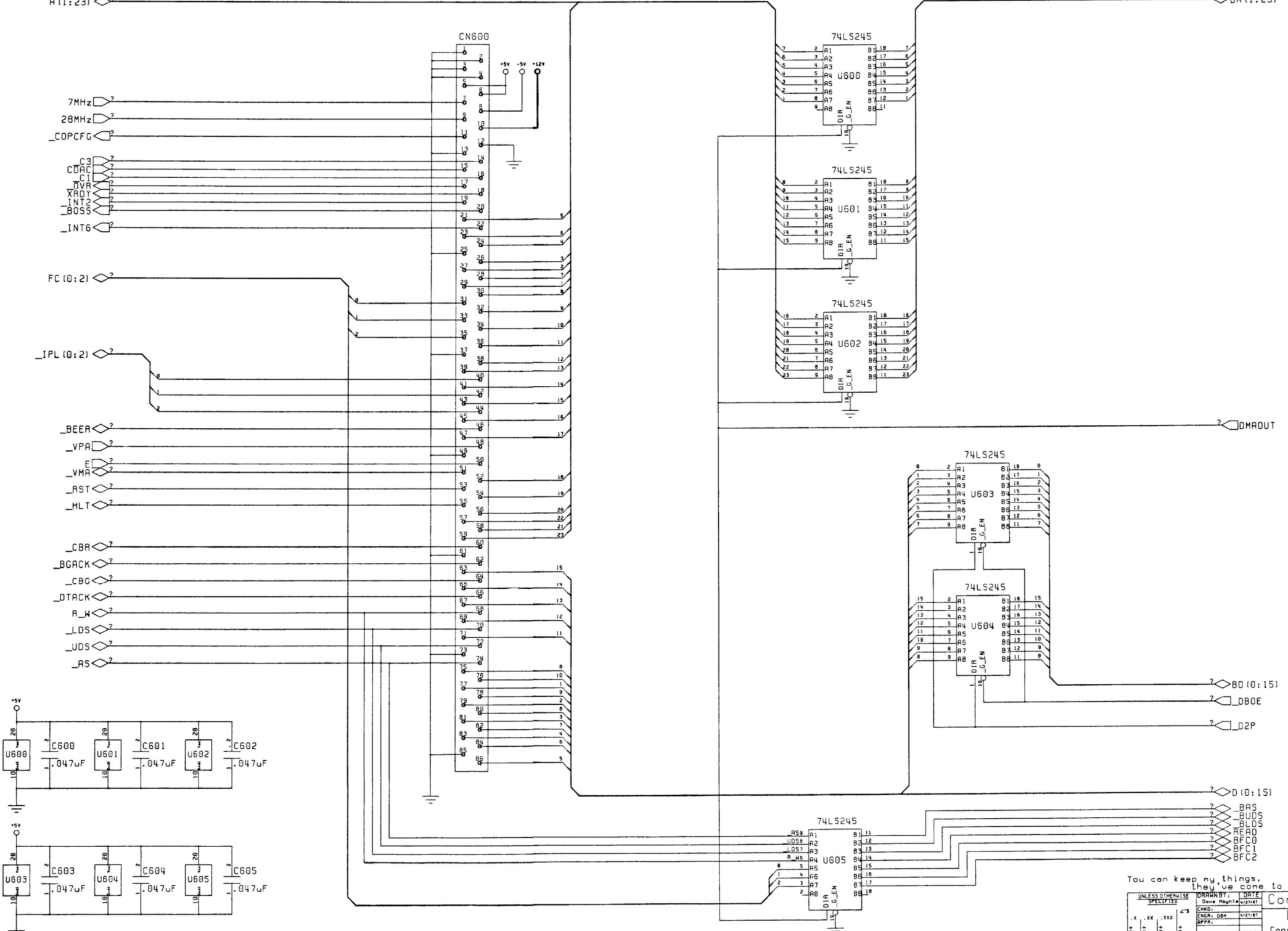
Does anybody really know what time it is?

UNLESS OTHERWISE SPECIFIED	DRAWN BY: DATE	Commodore
	Chris Hegulin 4/27/87	
.X .XX .XXX	CHKD:	B2000
+ + +	ENGR: OBH 4/27/87	Expansion Logic
	APPR:	
MATERIAL:	USED ON NEXT ASSY	SIZE
FINISH:	B2000-CH 312725	B 312726
		REV 2
		SCALE SHEET 8 OF 12









You can keep my things, they've come to take me home

UNLESS OTHERWISE SPECIFIED:	DRAWN BY: DATE	Commodore
.X .XX .XXX .4'S	ENGR: ENGR: DBH 1/27/87	B2000
* + * + *	APPN:	Coprocessor Slot
MATERIAL:	USED ON NEXT ASSY	SIZE: 312726 REV 2
FINISH:	2000-CN 312725	SCALE: SHEET 12 OF 12